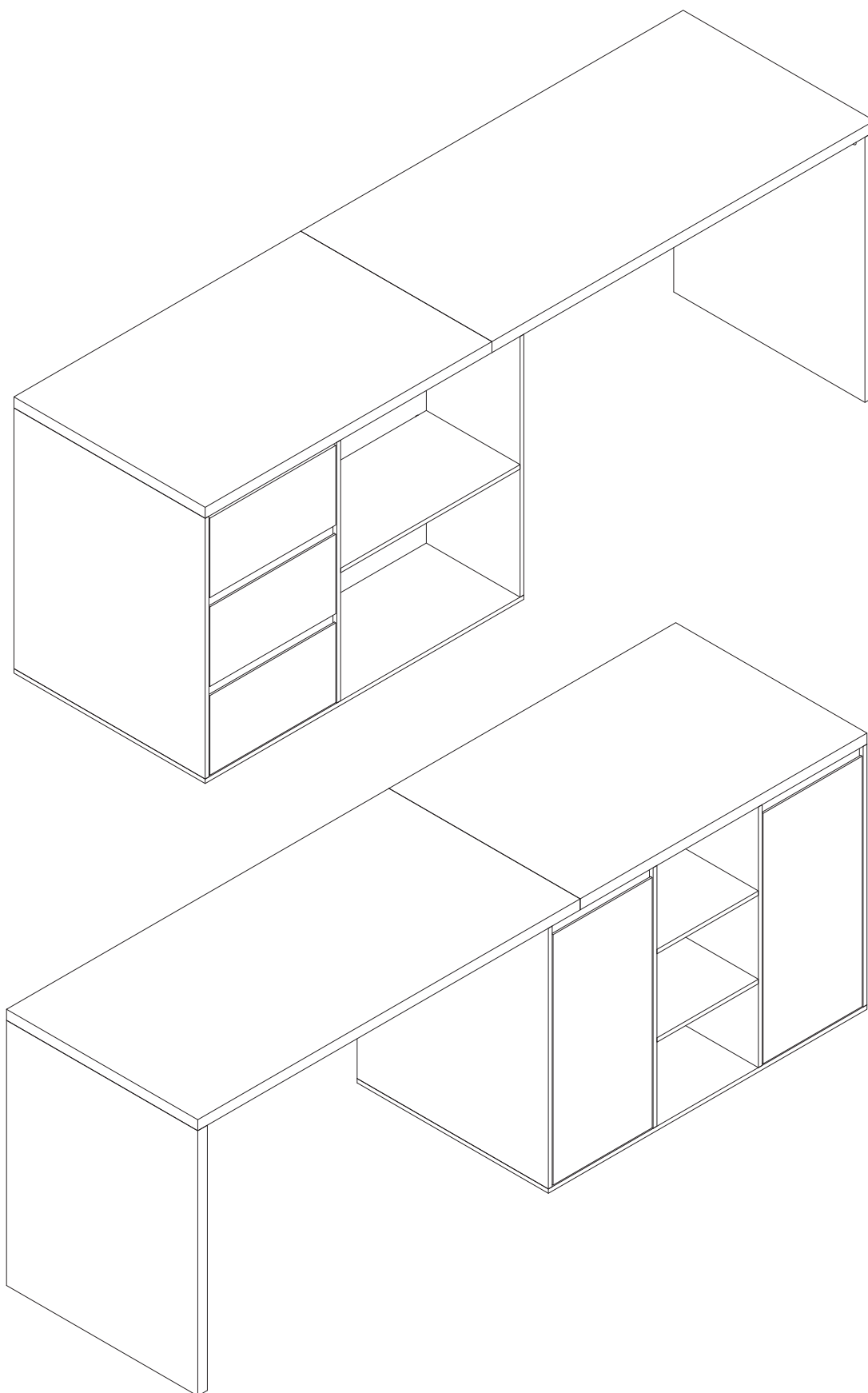
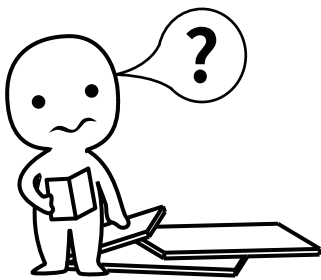


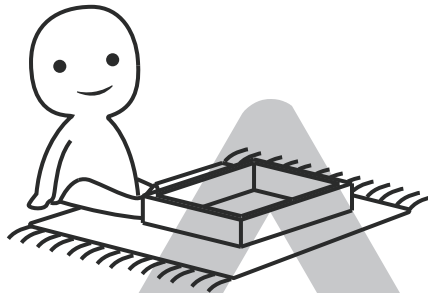
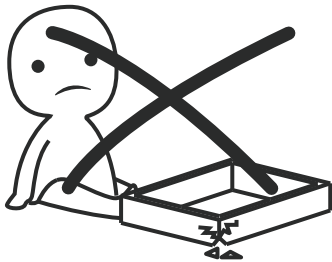
Display Cabinet





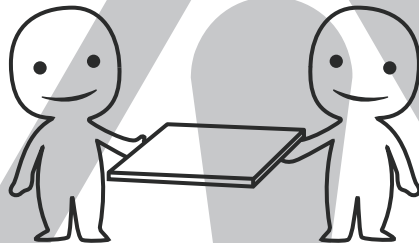
IMPORTANT INFORMATION!

please read the entire manual before starting to assemble and/or using this product. follow the manual thoroughly and keep it for further reference.



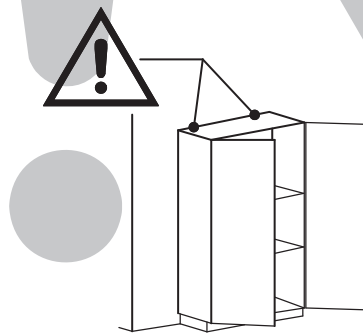
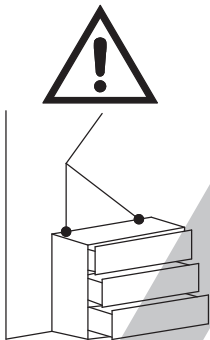
AVOID SCRATCHES!

In order to avoid scratching this furniture should be assembled on a soft layer- could be a rug.



IMPROVE EFFICIENCY !

Try to find a partner to install with you, which can speed up the installation efficiency and shorten the time.



ANTI-TOPPLE WARNING !

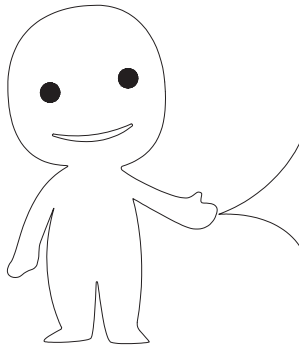
Overturnd furniture can cause serious or fatal crush injuries. To prevent tipping over, be sure to use the wall attachment, if not included with this product. Please purchase the wall attachment that fit your wall. If unsure, seek professional advice. Please read and follow each step of the instructions carefully.

IMPORTANT !

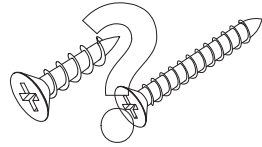
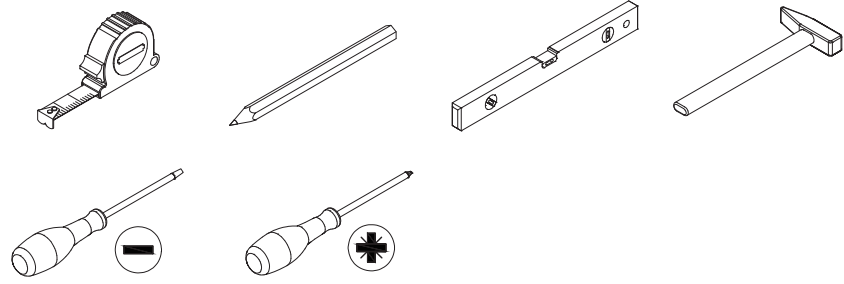
It is important that any product which is assembled using any kind of screw is re-tightened 2 weeks after assembly, and once every 3 months - in order to assure stability through-out the lifespan of the product.

For regular maintenance and cleaning of the product, for the frame, please use a rag dipped in neutral detergent to fully wipe it, and then dry it with a clean rag. For glass materials, wipe with a rag dampened with water glass cleaner, and then dry with a dry rag.

Do not use an electric screwdriver, and do not use too much force when installing, because the board is easy to break.

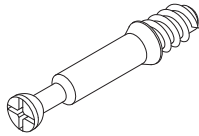


Please prepare the following tools



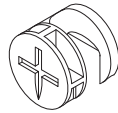
When installing, please carefully confirm whether each screw corresponds to the manual, accessories with similar shapes can be distinguished by size

Ax47



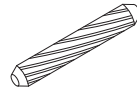
Ø6x35mm

Bx51



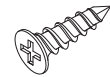
Ø15x9.5mm

Cx55



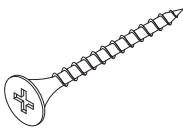
Ø6x30mm

Dx24



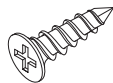
Ø3.5x12mm

Ex27



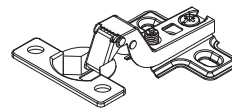
Ø4x35mm

Fx32

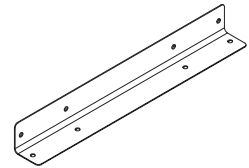


Ø4x12mm

Gx4



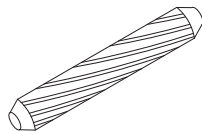
Hx1



Ix2

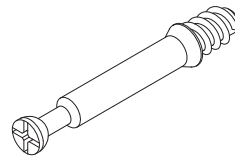


Jx4



Ø10x40mm

Kx4



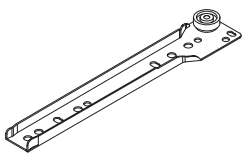
Ø6x50mm

Lx4

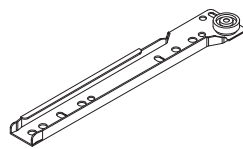


Ø6x10mm

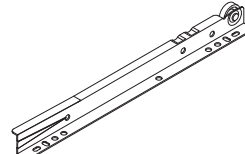
CLx3



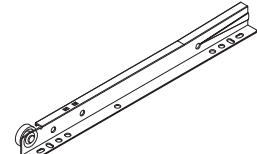
CRx3

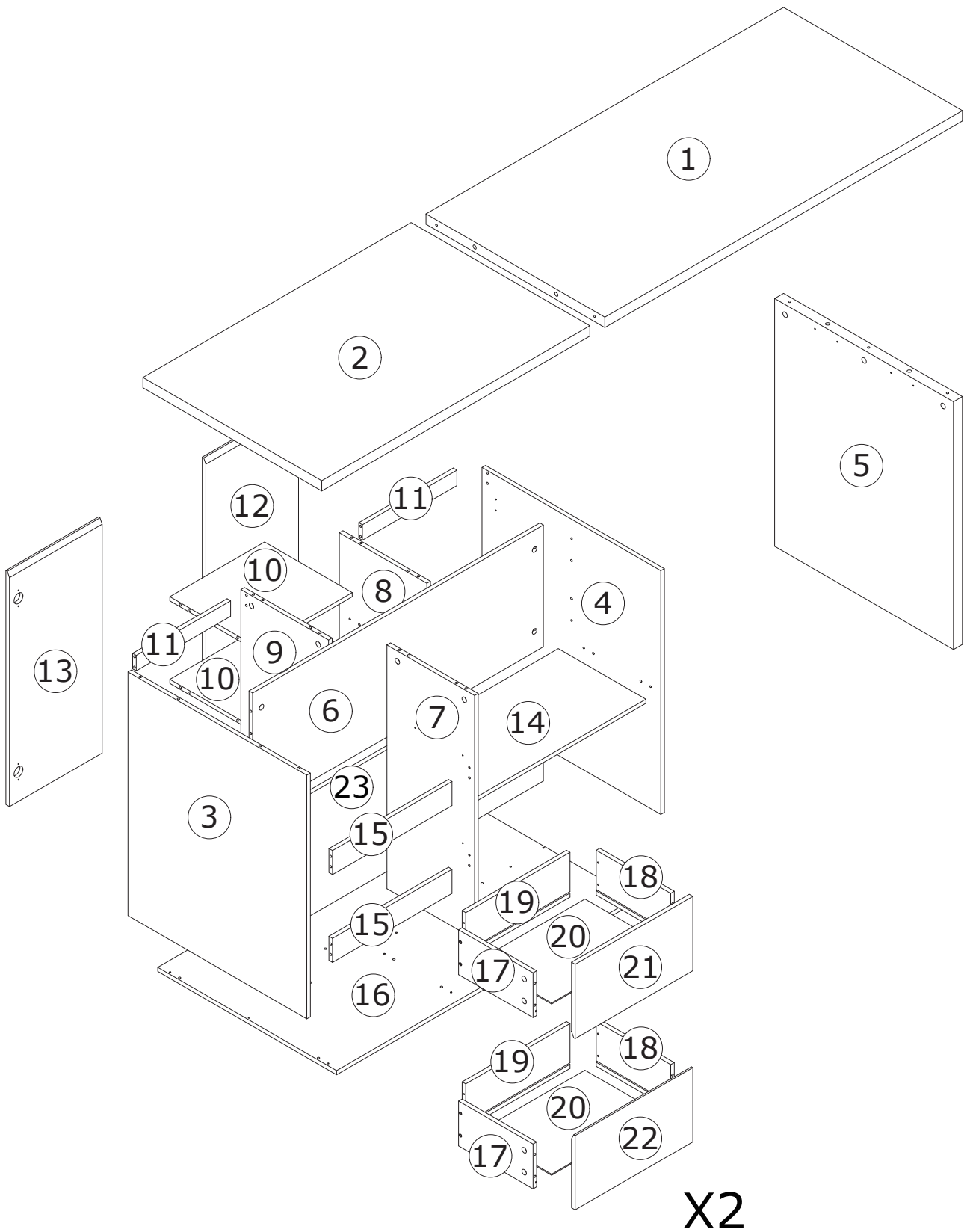


DLx3



DRx3

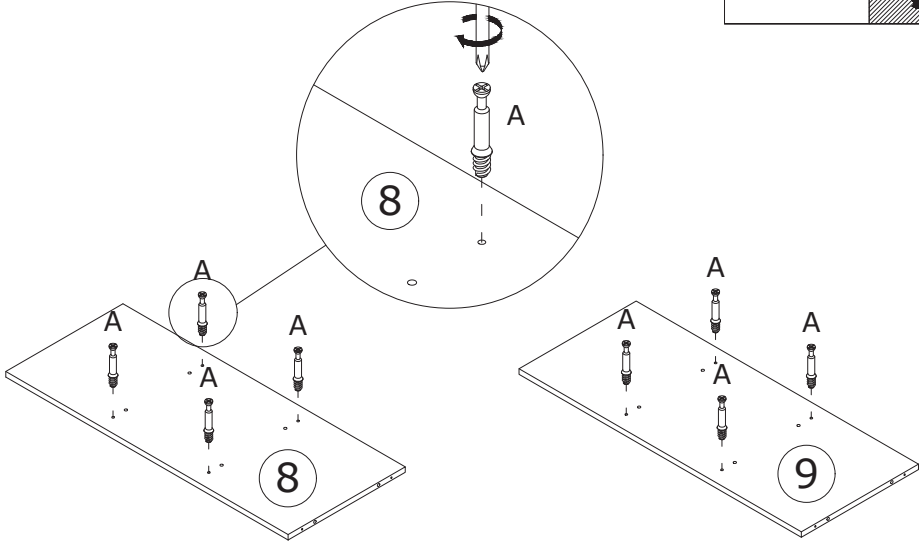
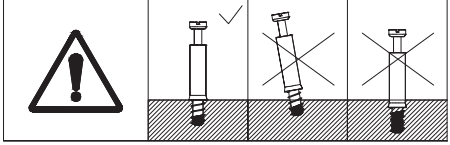




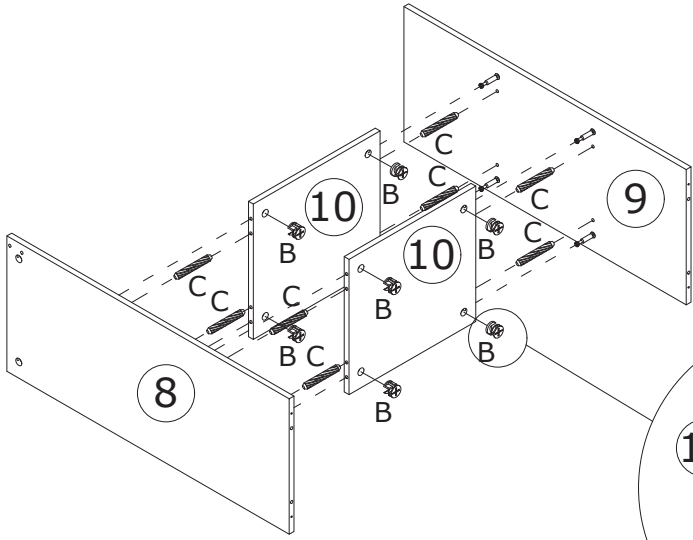
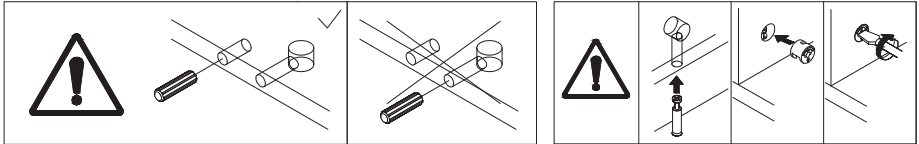
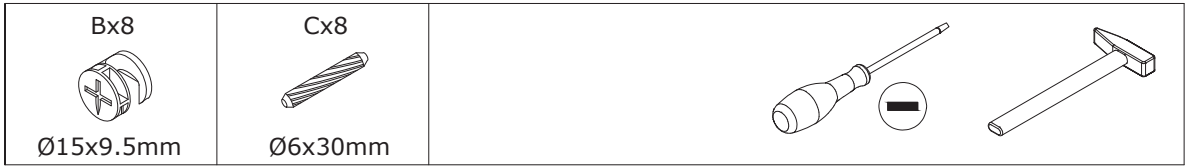
1



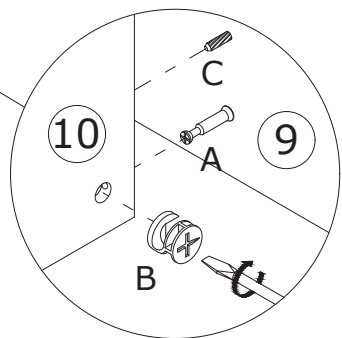
Insert quickfit screw(A) into corresponding holes in plate 8 and 9 with a screwdriver as shown.



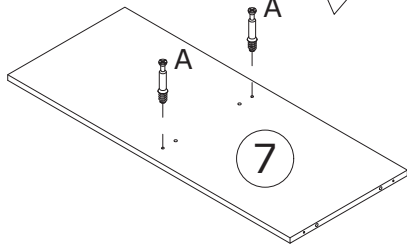
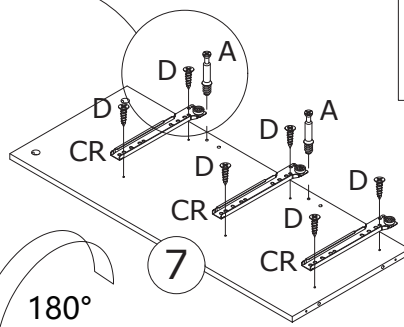
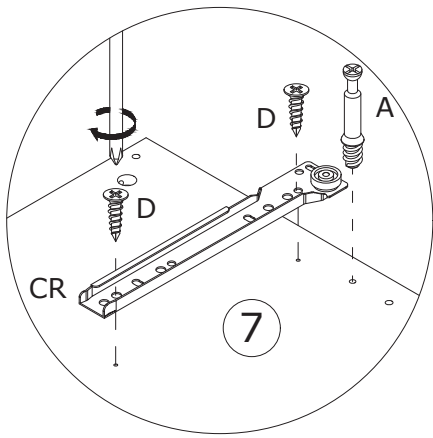
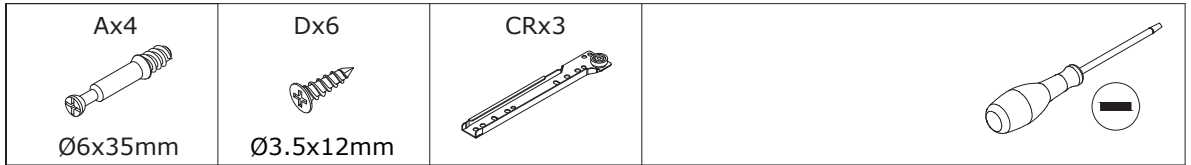
2



Connect plate 8 and 9 with plate 10 using wooden dowel(C) at first. Put cam lock(B) into holes in plate 10 and turn clockwise to tighten as shown.

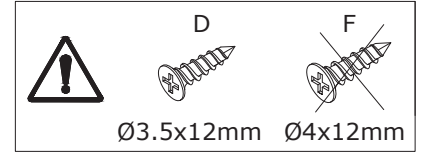
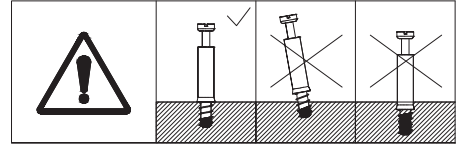


3



180°

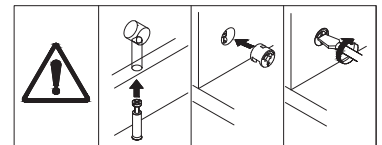
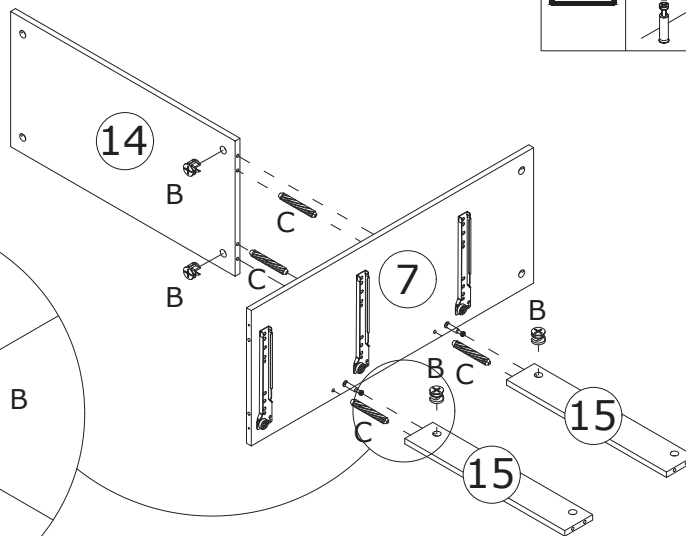
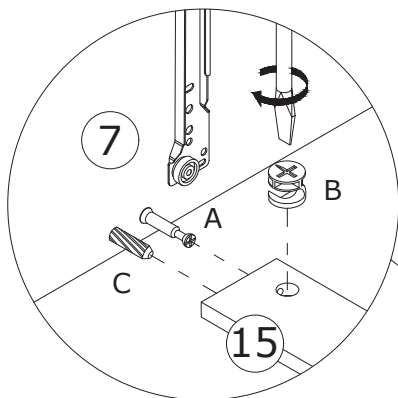
Fix slide rail (CR) to plate 7 using screw (D), and insert quickfit screw (A) into corresponding holes at first. Flip the plate, insert quickfit screw (A) as well.



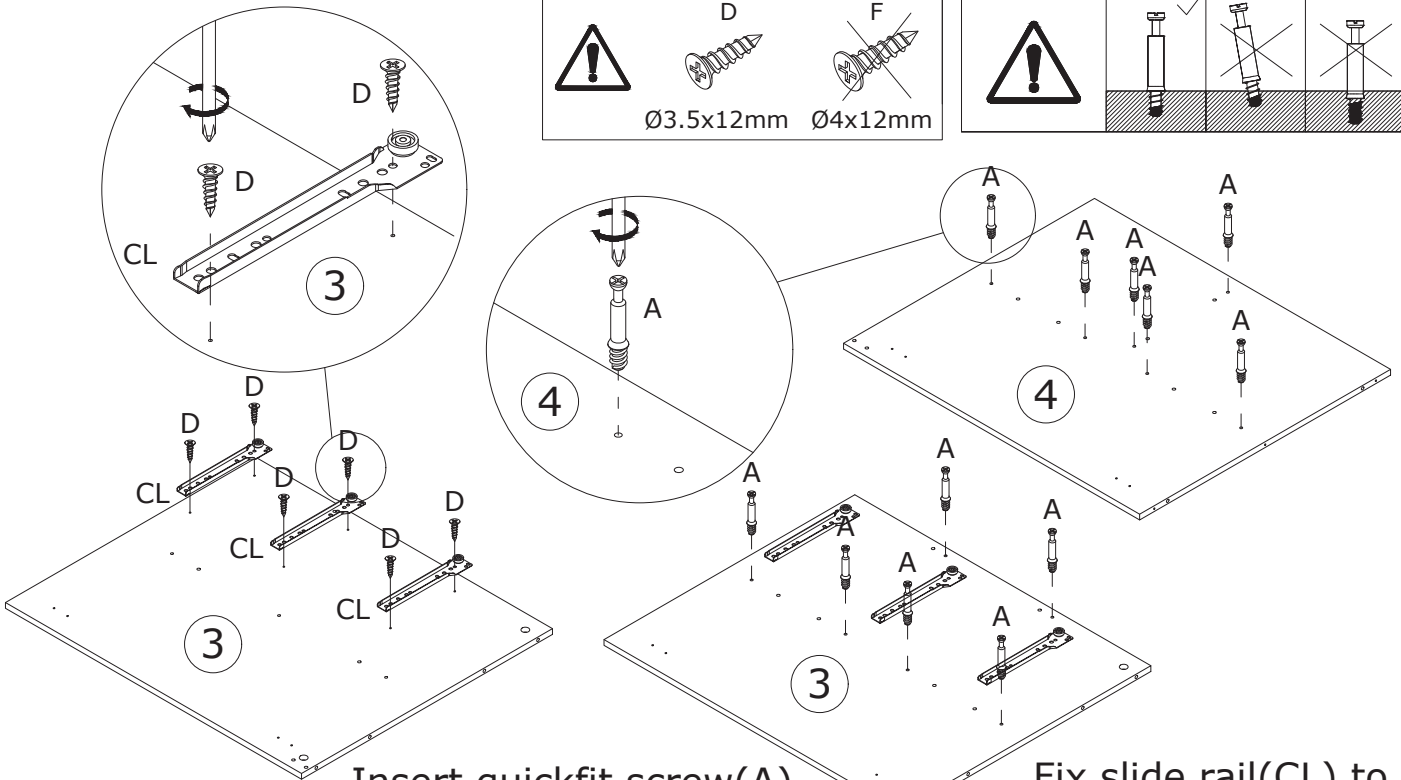
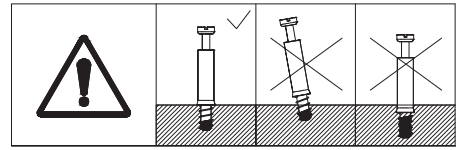
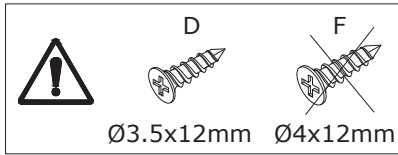
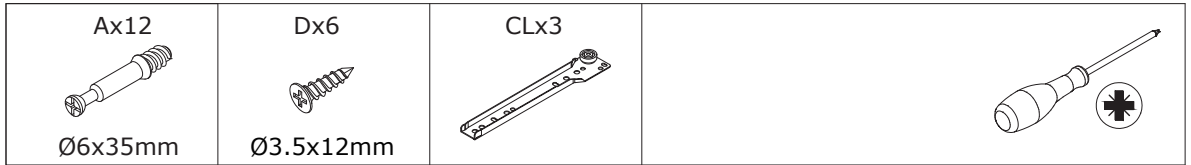
4



Attach plate 14 and two plate 15 to plate 7 with wooden dowel (C) at first. Put cam lock (B) into holes in plate 14, 15 and turn clockwise to tighten as shown.



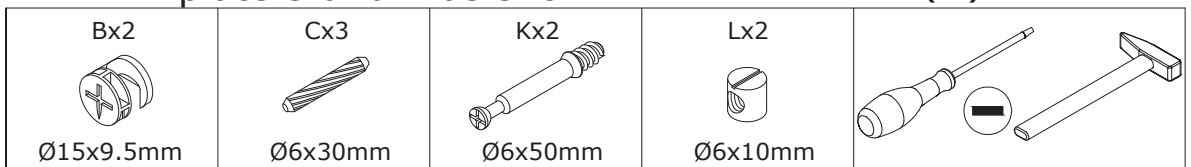
5



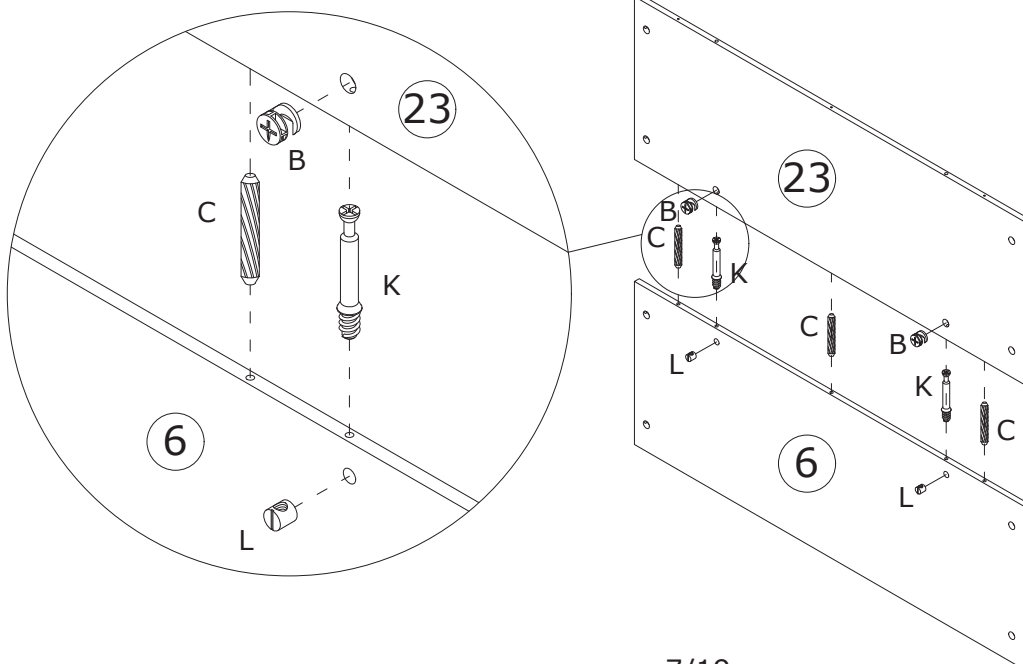
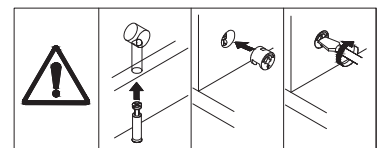
Insert quickfit screw(A) into corresponding holes in plate 3 and 4 as shown.

Fix slide rail(CL) to plate 3 using screw(D) as shown.

6



Put part(L) into holes in plate 6 at first, then insert screw(K).

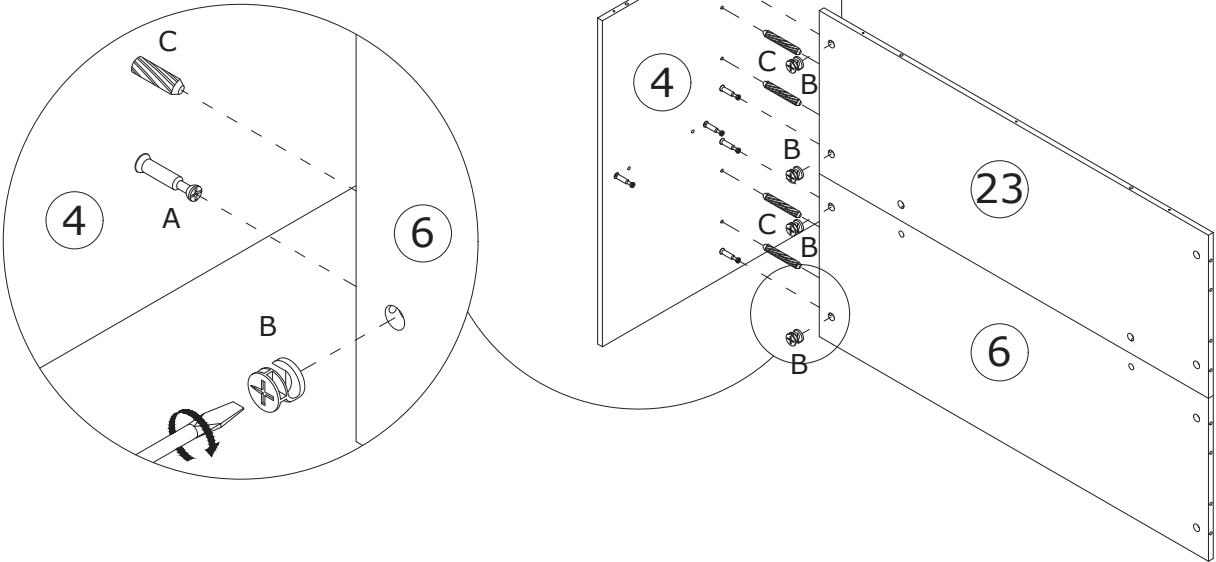
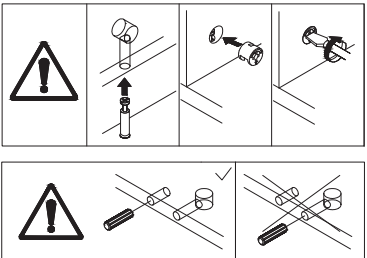


Connect plate 6 with plate 23 using wooden dowel(C), put cam lock(B) into holes in plate 23 and turn clockwise to tighten as shown.

7



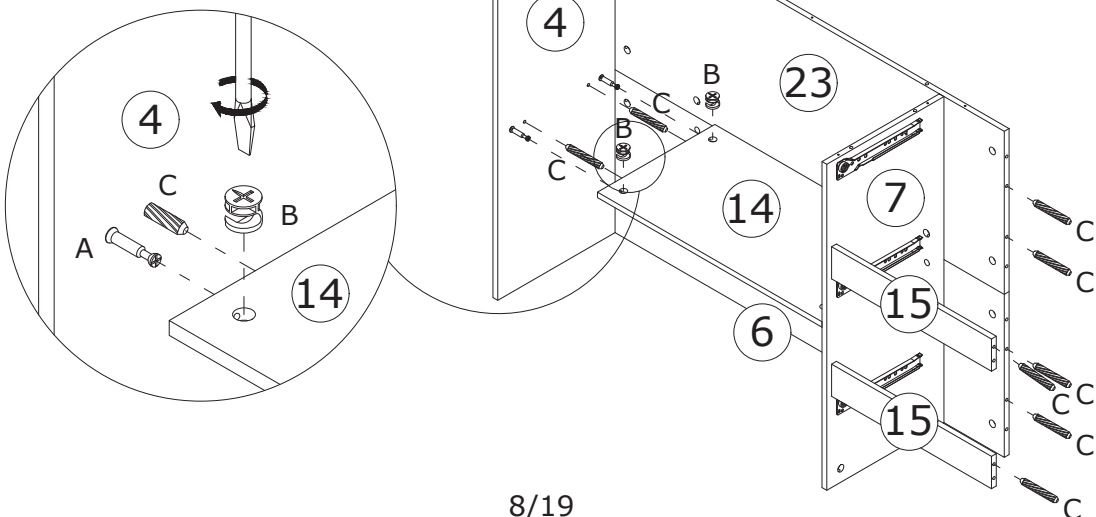
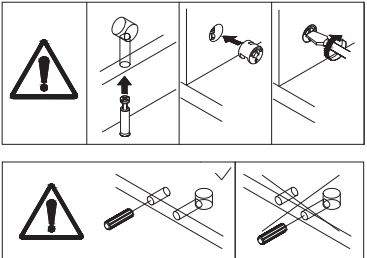
Attach plate 4 to plate 6 and 23 with wooden dowel(C) at first.
Put cam lock(B) into holes in plate 6,23 and turn clockwise to tighten as shown.



8



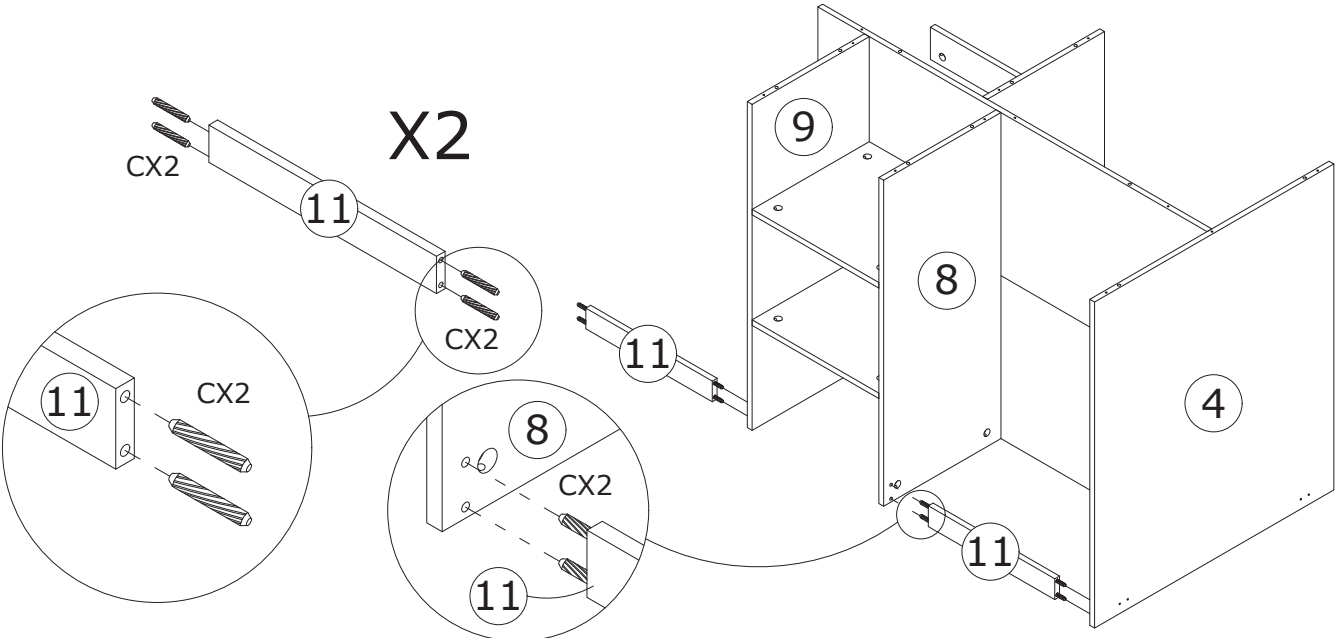
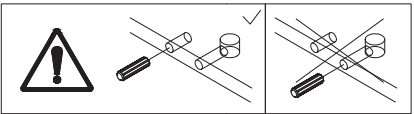
Attach the component(assembly in step 4) to plate 4 with wooden dowel(C),put cam lock(B) into holes in plate 14 and turn clockwise to tighten as shown.
Insert wooden dowel(C) into plate 23,6 and 15 as shown.



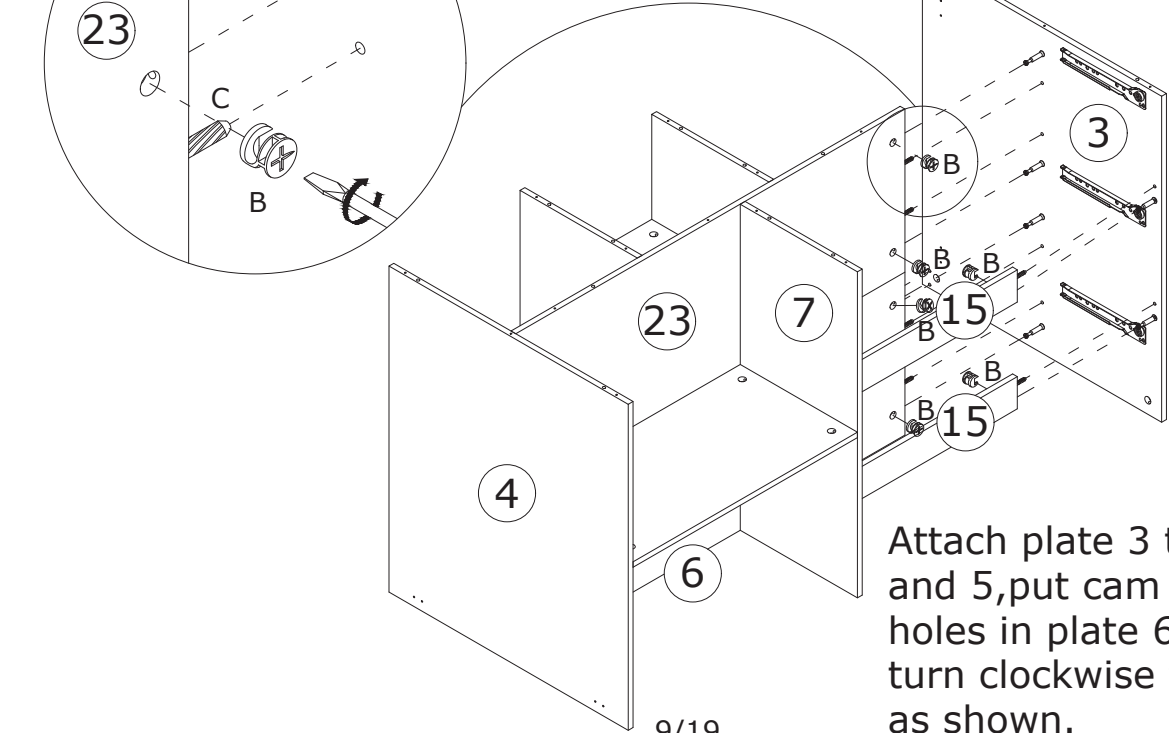
9



Insert wooden dowel(C) into two plate 11 at first. Attach plate 11 to plate 9; attach another plate 11 to plate 4 and 8 as shown.



10



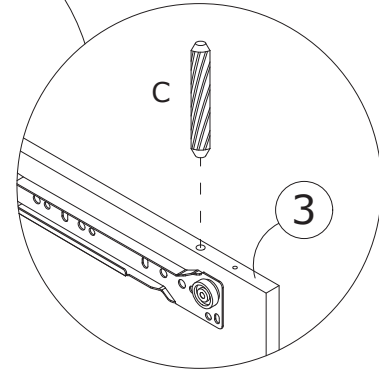
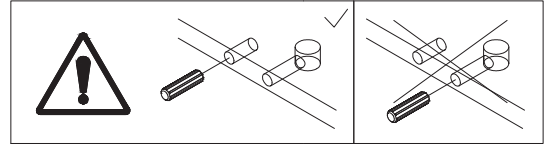
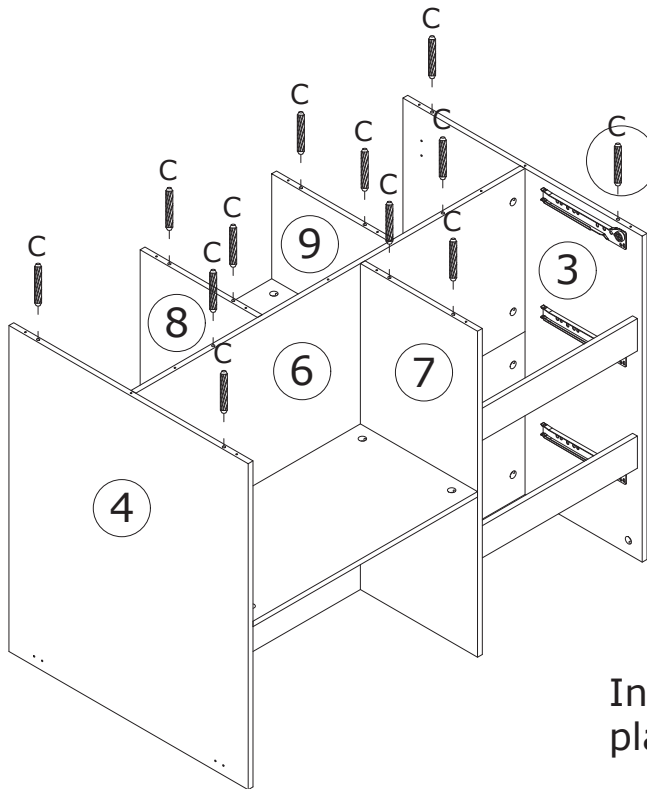
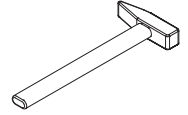
Attach plate 3 to plate 23,6 and 5, put cam lock(B) into holes in plate 6,23,15 and turn clockwise to tighten as shown.

11

Cx12



Ø6x30mm



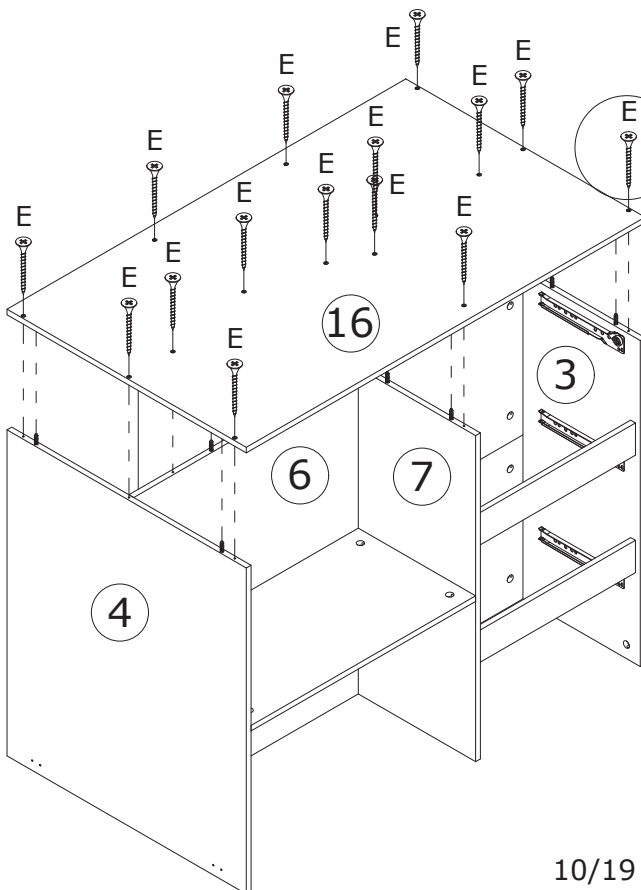
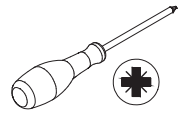
Insert wooden dowel(C) into plate 3,7,4,6,8 and 9 as shown.

12

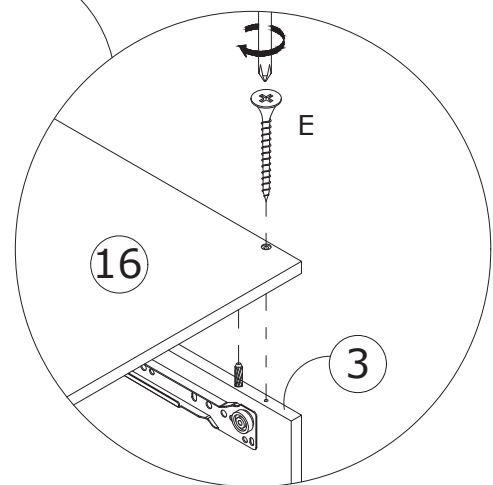
Ex15



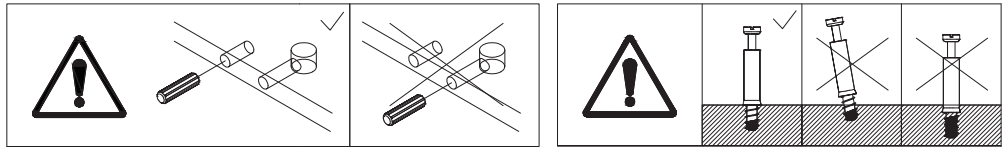
Ø4x35mm



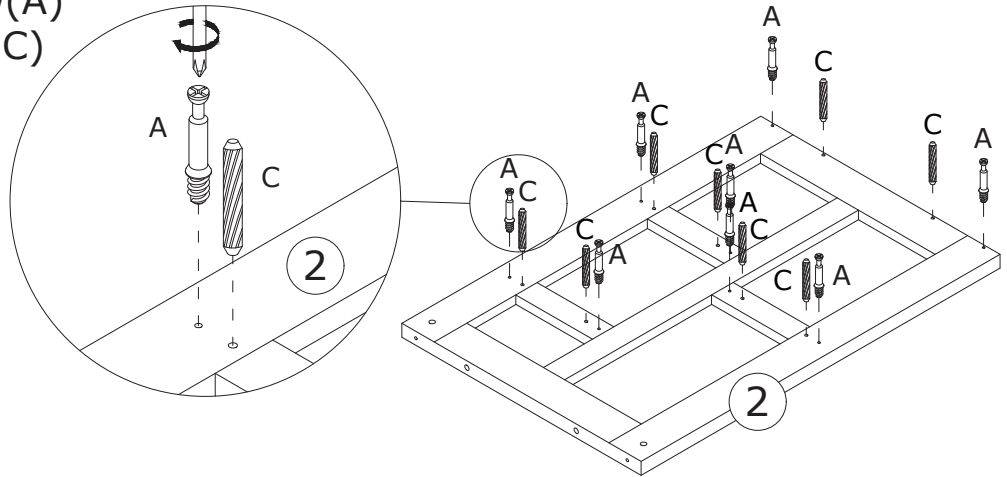
Cover plate 16 to the component and fix using screw(E) as shown.



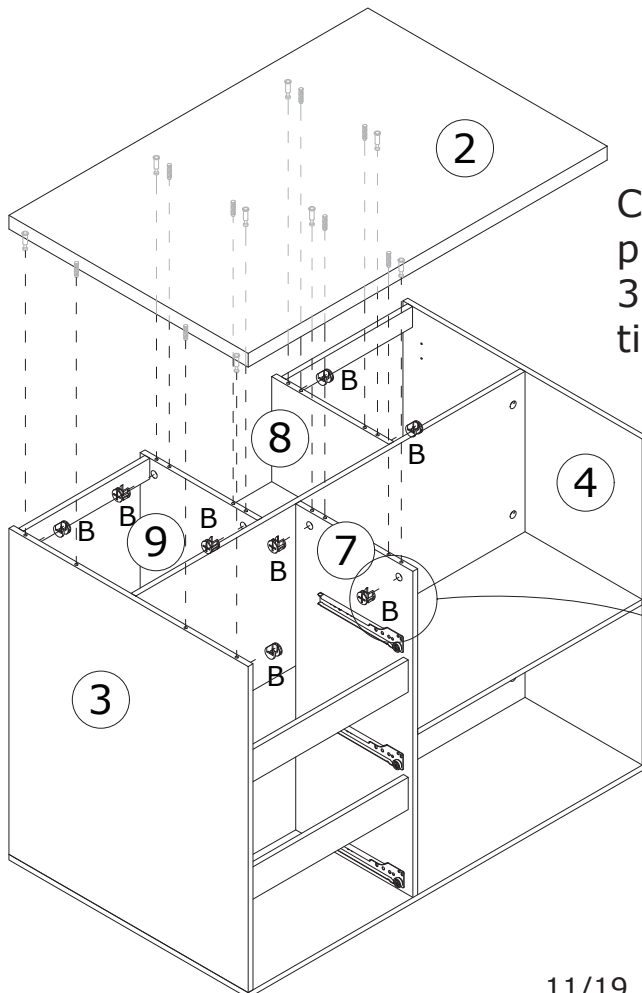
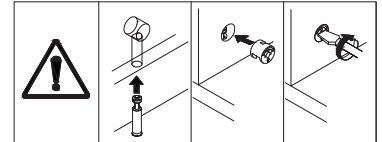
13



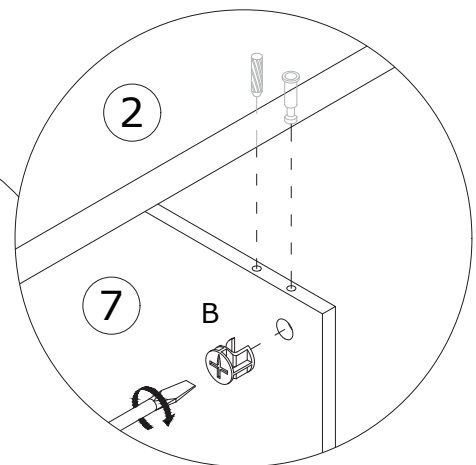
Insert quickfit screw(A)
and wooden dowel(C)
into corresponding
holes in plate 2 as
shown.



14



Cover plate 2 to the top of the unit,
put cam lock(B) into holes in plate
3,9,8,6,7,4 and turn clockwise to
tighten as shown.

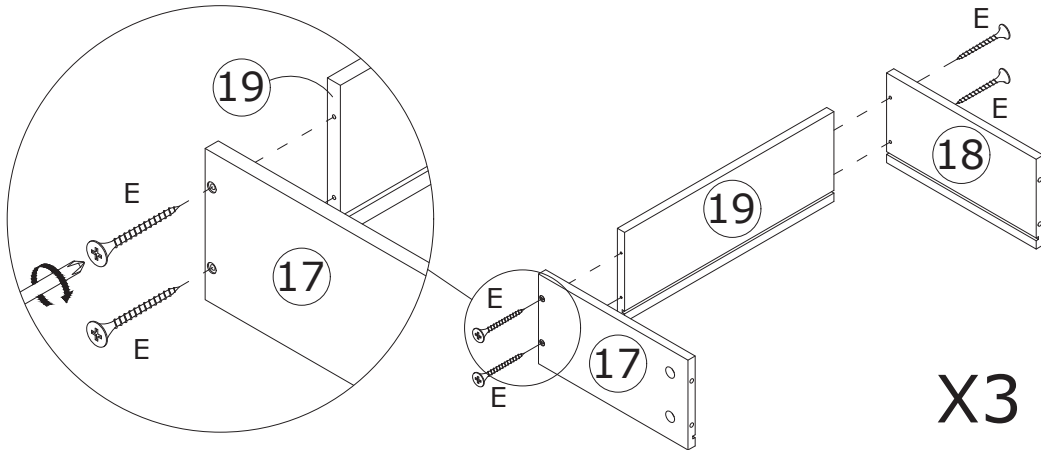
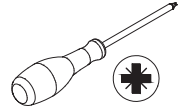


15

Ex12



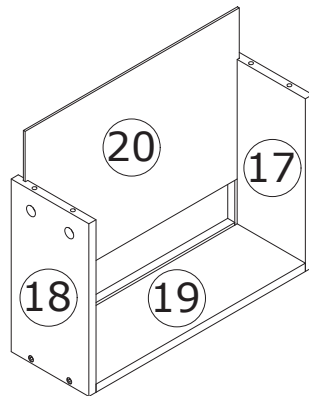
Ø4x35mm



Fix plate 17 and 18 to plate 19 using screw(E) as shown.

X3

16

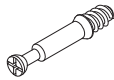


Slide plate 20 along grooves as shown.

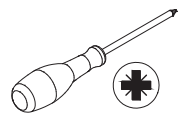
X3

17

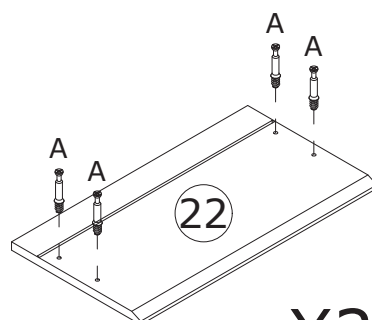
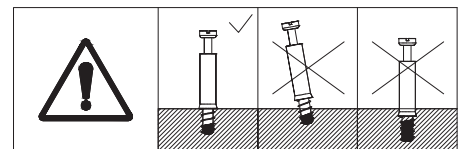
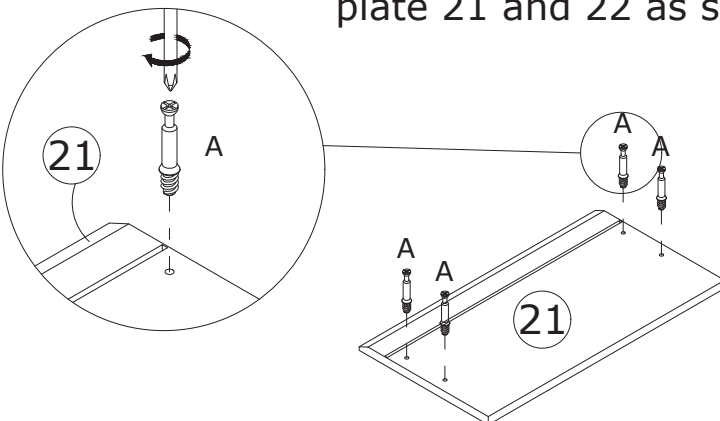
Ax12



Ø6x35mm



Insert quickfit screw(A) into plate 21 and 22 as shown.



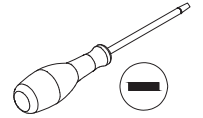
X2

18

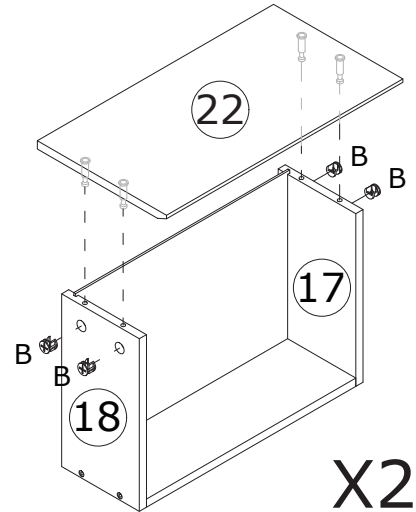
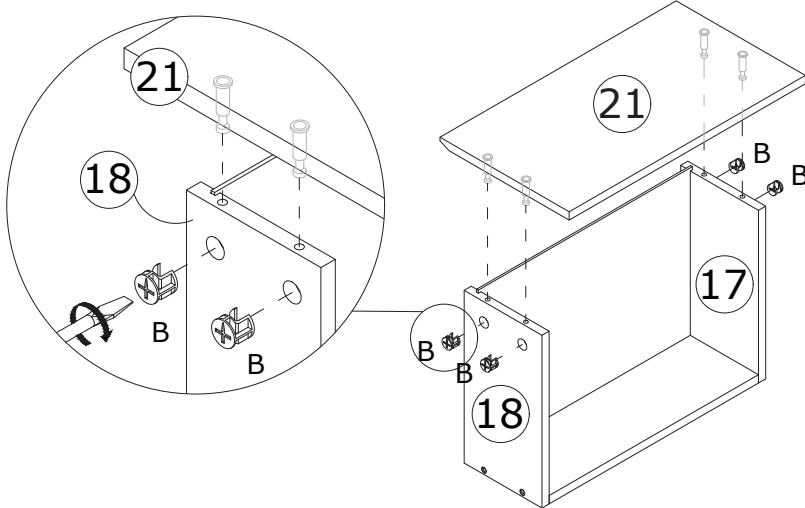
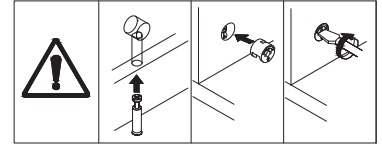
Bx12



Ø15x9.5mm



Attach plate 21 and 22 to plate 17,18 respectively, put cam lock(B) into holes in plate 17,18 and turn clockwise to tighten as shown.



X2

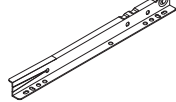
19

Dx12

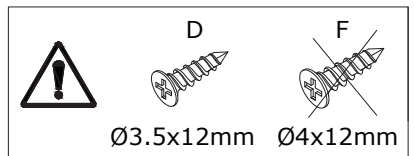
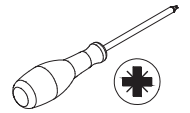
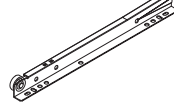


Ø3.5x12mm

DLx3

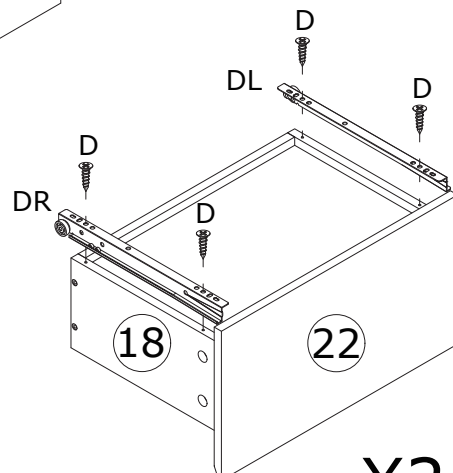
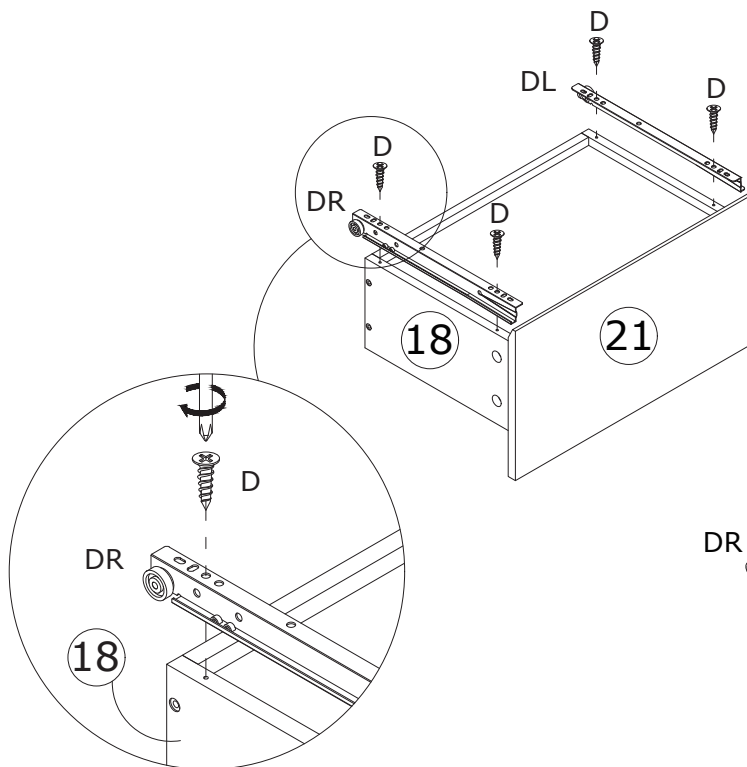


DRx3



Ø3.5x12mm Ø4x12mm

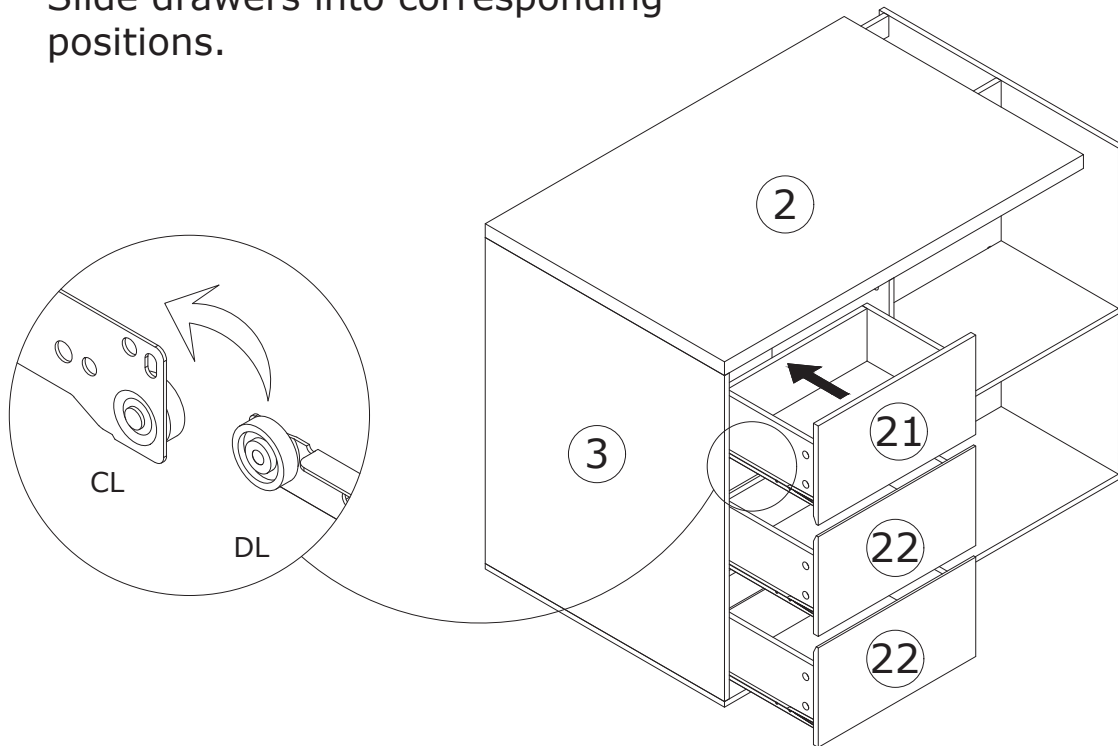
Fix runner(DL) and (DR) to plate 17 and 18 respectively using screw(D) as shown.



X2

20

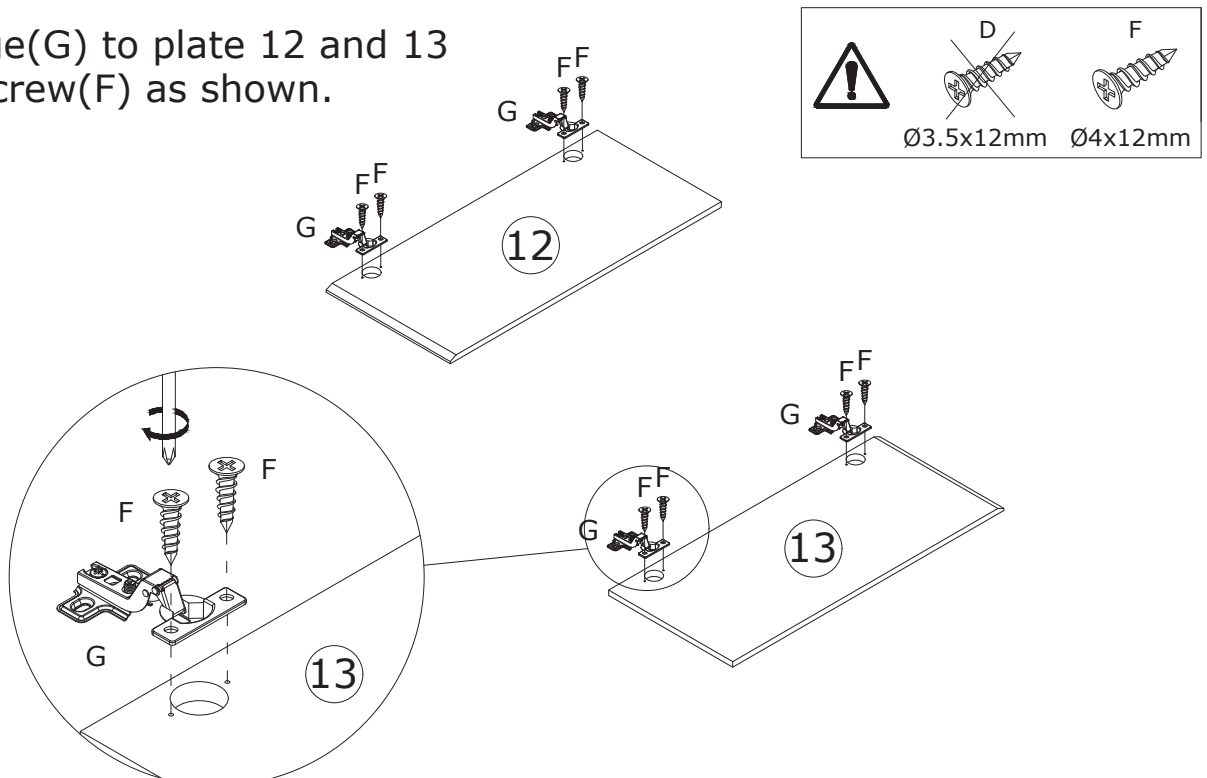
Slide drawers into corresponding positions.



21



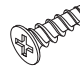


Fix hinge(G) to plate 12 and 13 using screw(F) as shown.

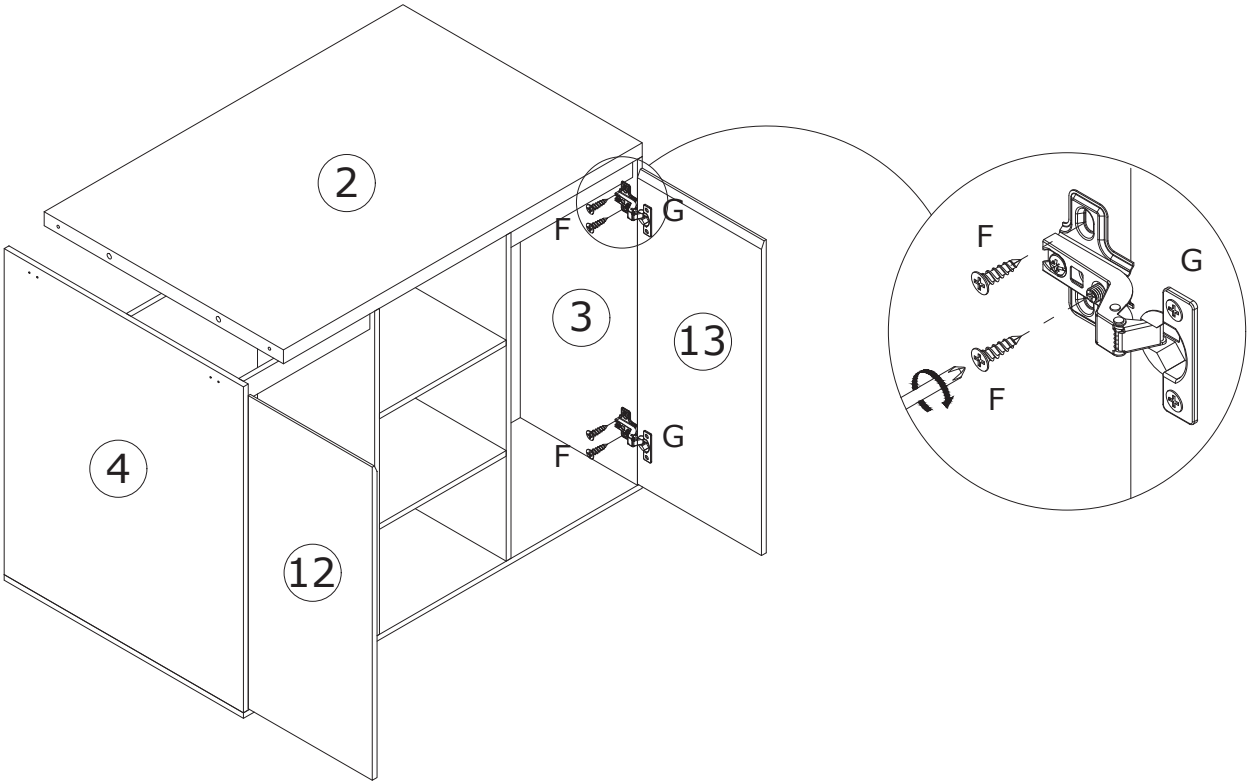


22

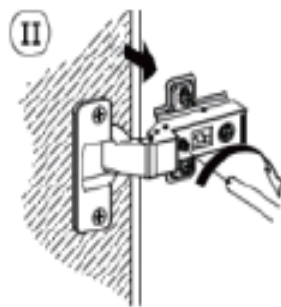
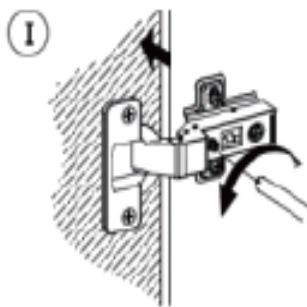
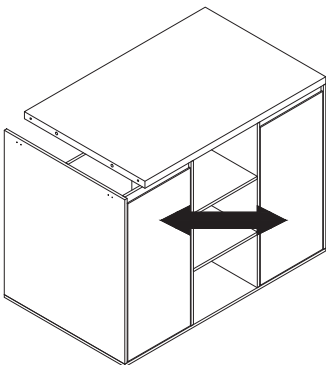
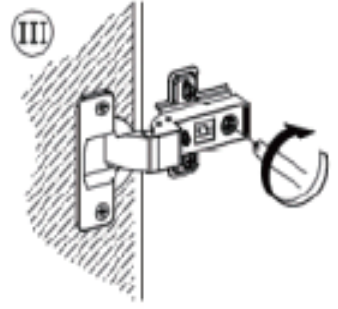
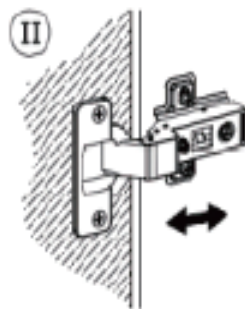
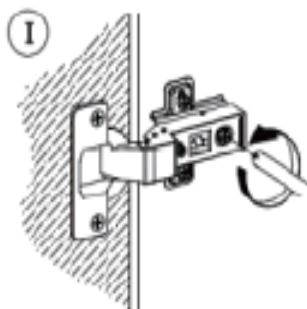
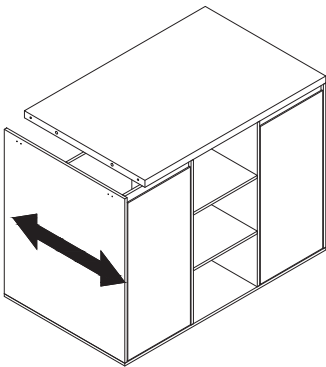
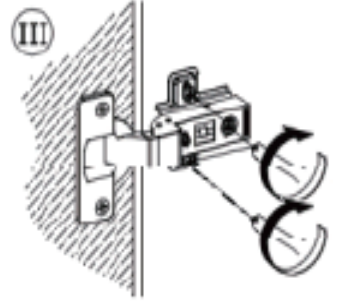
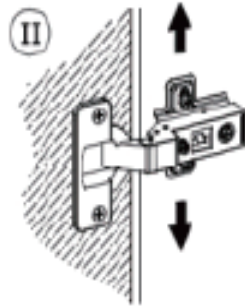
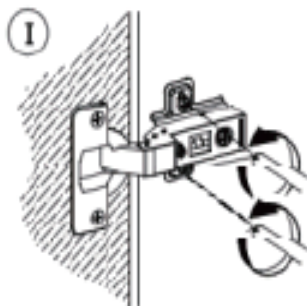
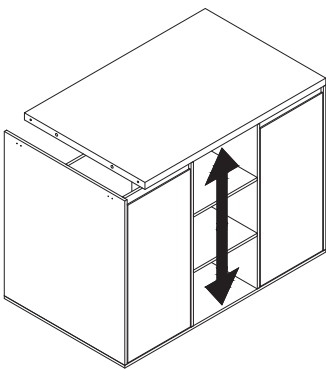
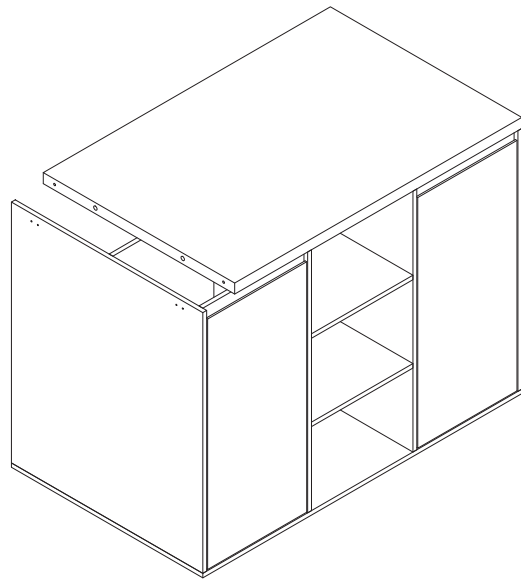
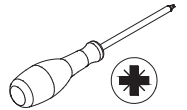
Fx8  Ø4x12mm	
---	---

	 D Ø3.5x12mm	 F Ø4x12mm
---	--	---

Attach plate 12 to plate 4; plate 13 to plate 3 by fixing hinge using screw(G) as shown.



23



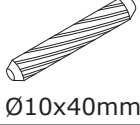
24

Ax3

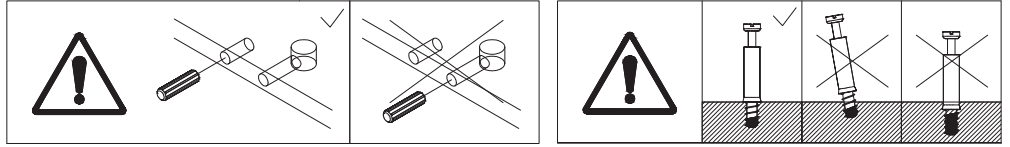
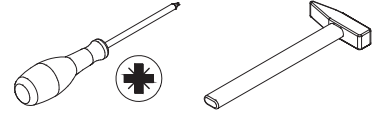


Ø6x35mm

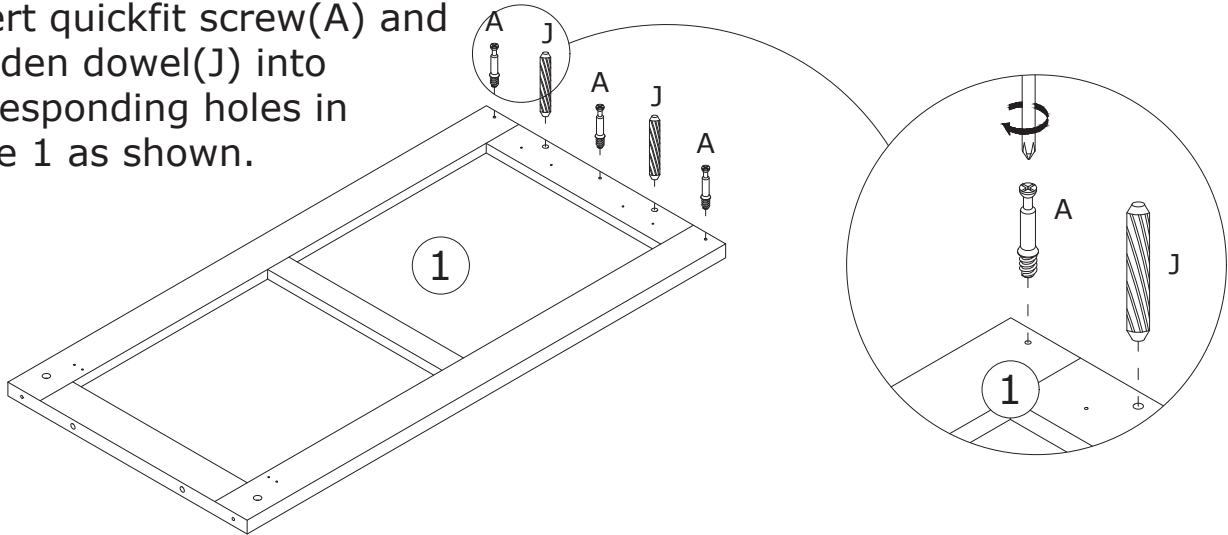
Jx2



Ø10x40mm



Insert quickfit screw(A) and wooden dowel(J) into corresponding holes in plate 1 as shown.

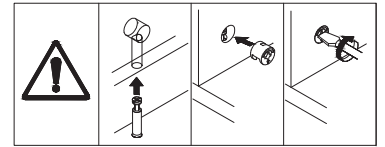
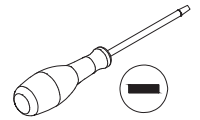


25

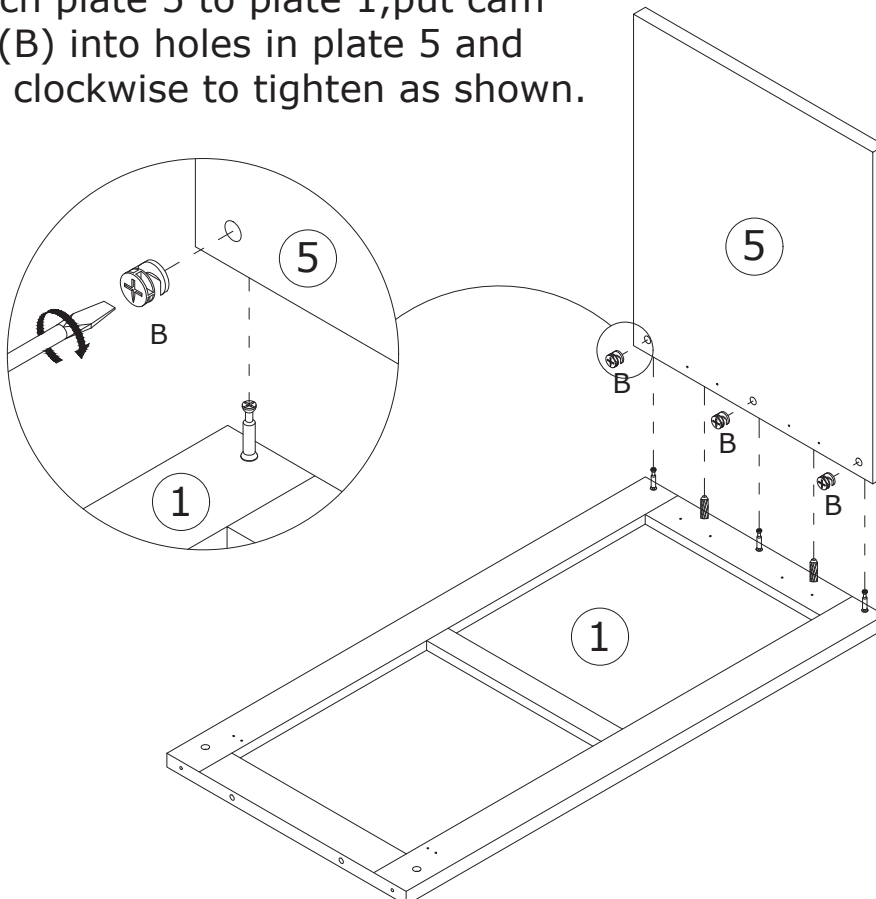
Bx3



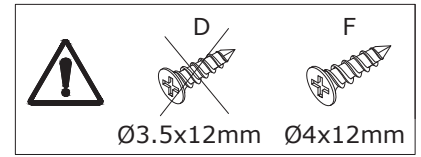
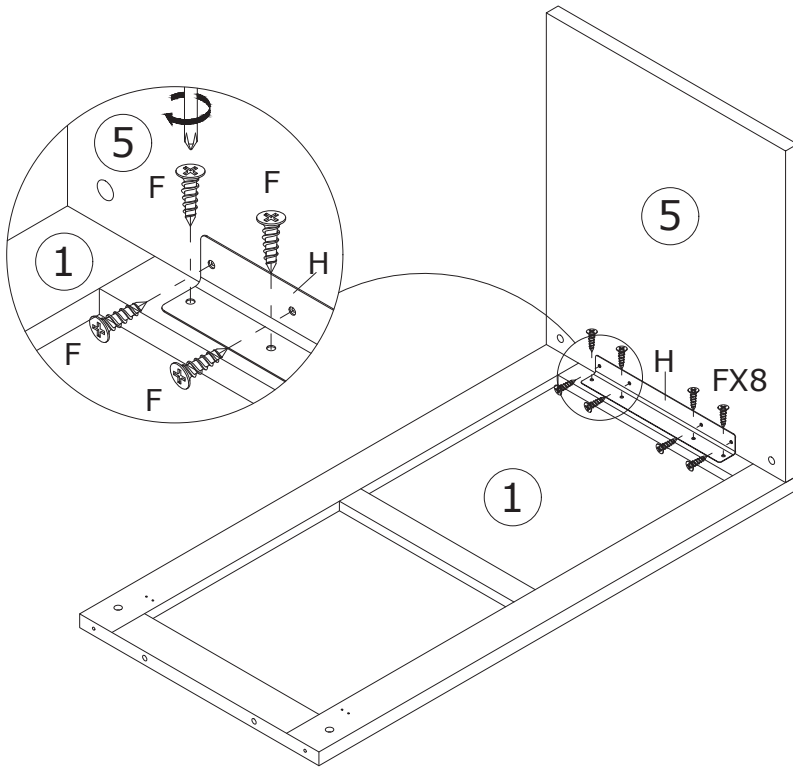
Ø15x9.5mm



Attach plate 5 to plate 1, put cam lock(B) into holes in plate 5 and turn clockwise to tighten as shown.

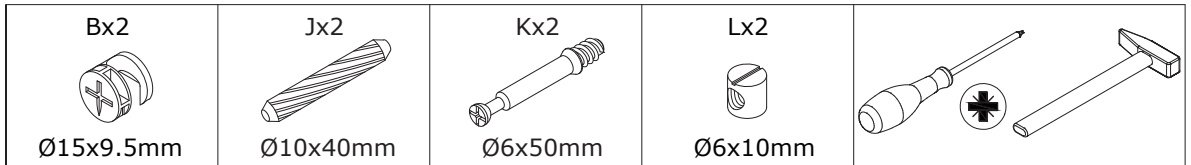


26

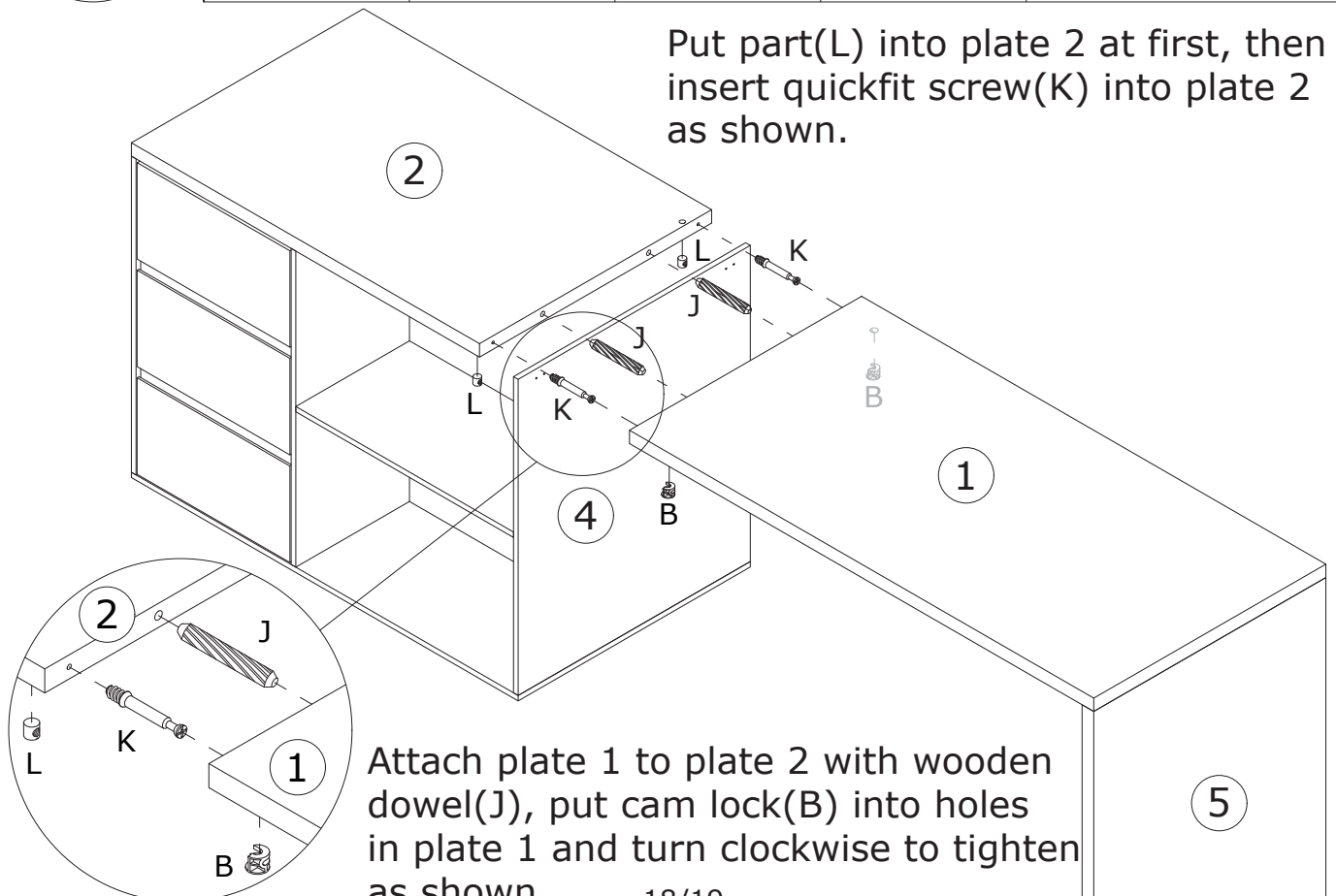


Fix part(H) to plate 1 and 5 using screw(F) as shown.

27




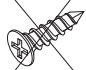
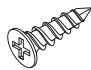
Put part(L) into plate 2 at first, then insert quickfit screw(K) into plate 2 as shown.



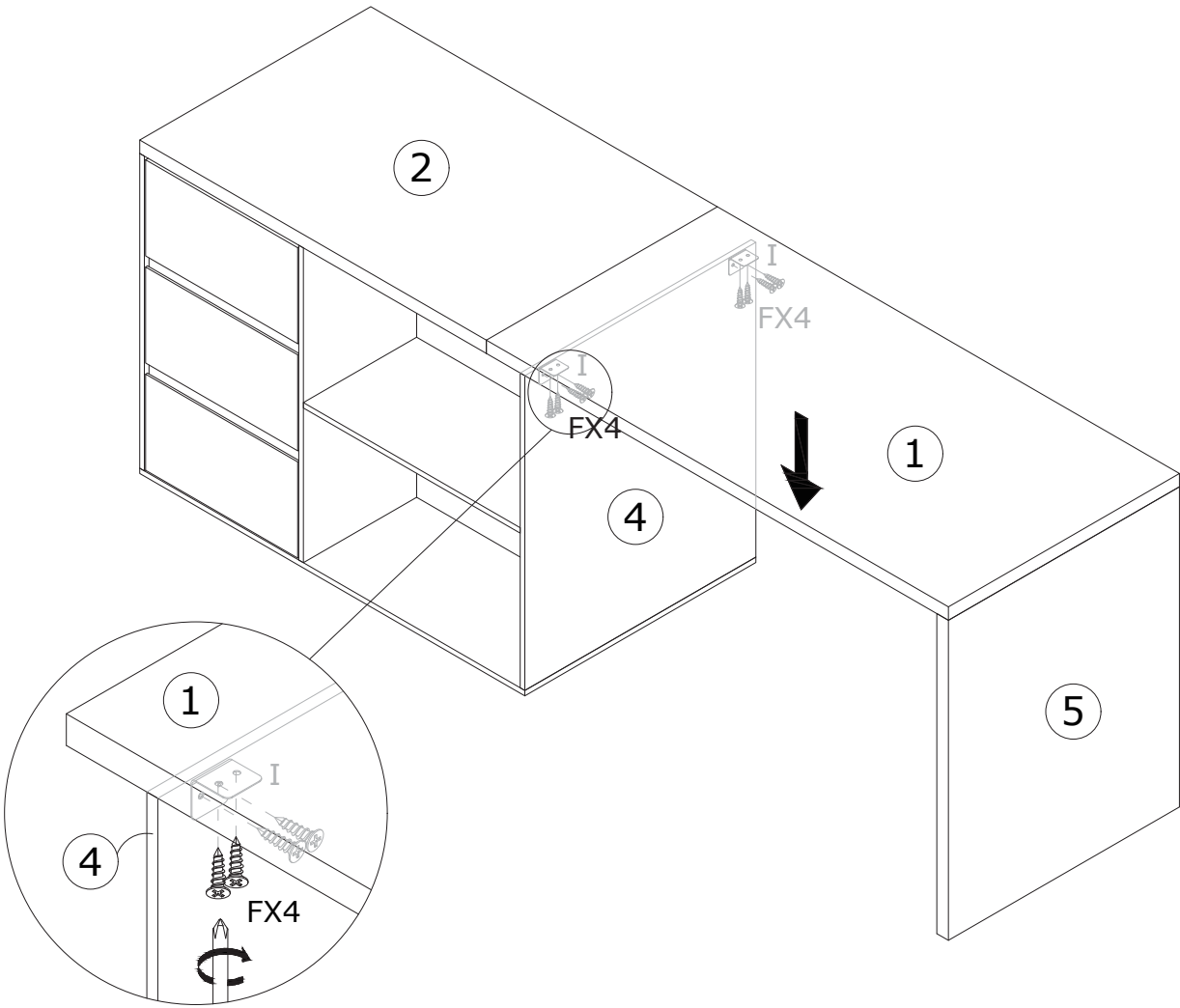
Attach plate 1 to plate 2 with wooden dowel(J), put cam lock(B) into holes in plate 1 and turn clockwise to tighten as shown.

28

Fx8  Ø4x12mm	Ix2 	 
---	--	--

	 D Ø3.5x12mm	 F Ø4x12mm
---	--	---

Fix plate 1 with plate 4 together using part(I) with screw(F) as shown.



WARRANTY

WARRANTY CLAIMS

- There is a 30-day warranty for broken furniture or any other problems that do not work properly. The warranty will start from the date of purchase which must be verified by proof of purchase.
- Before making a claim, we may be able to answer your query, simply call us. Please leave your purchase order number, along with some details of the problem, if you want a replacement part. We will arrange within 48 hours. If there is out of stock, we will reply with a shipping date.
- The product must be used in accordance with the instructions provided. For health reasons.
- For other reasons, if the furniture needs to be returned, it must be cleaned and dried and operated within 30 days of receipt.

Type of Warranty Claim

- Failure to follow the furniture instructions will invalidate the warranty. Attention please.
- Does not include damage during installation, but includes damage during transportation.

Scope of responsibility

- Shall not bear any responsibility for misuse or user damage and / or loss of parts during the installation of furniture.
- After using, the damage and scratches of the furniture are not covered by the warranty.

The Warranty Relates to All Bought in The Us and Covers The Following Areas

- Sheet parts: 1 month from the date of purchase.
- Electrical parts: 1 month from the date of purchase.