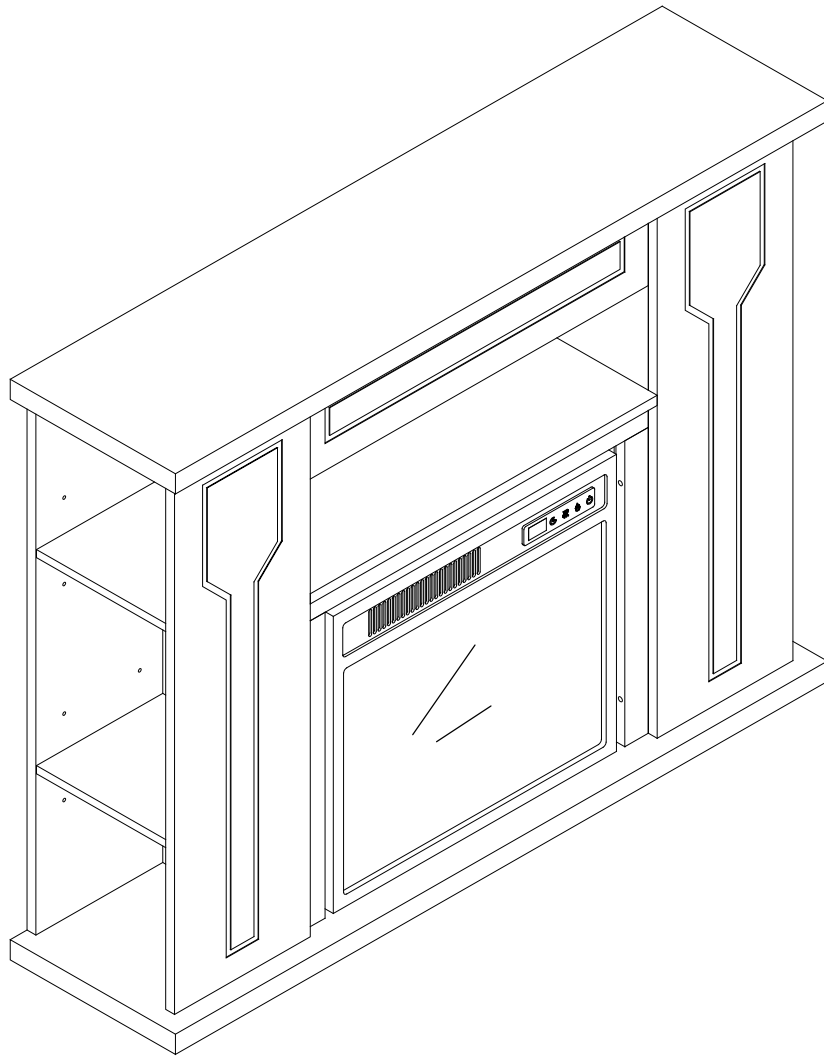


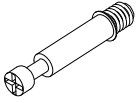
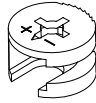
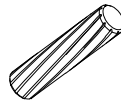
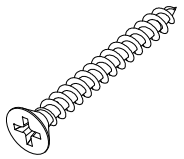
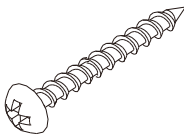
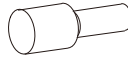
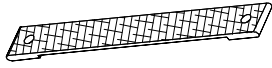

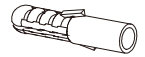
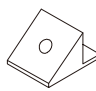

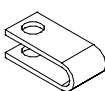


# Assembly Instructions

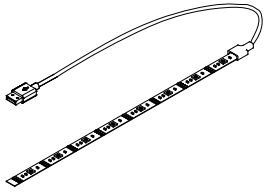
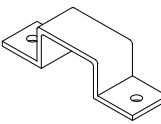


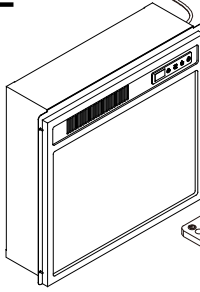


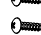



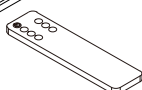


Delivered in two packages, they may arrive at different times.

Missing parts, damages, and any problems in the installation process, please contact us by text or email.

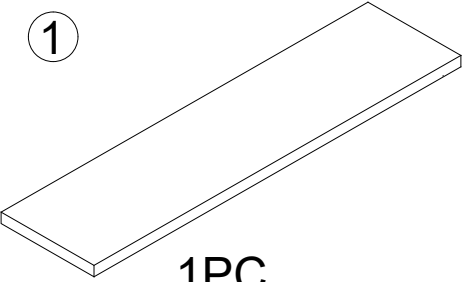
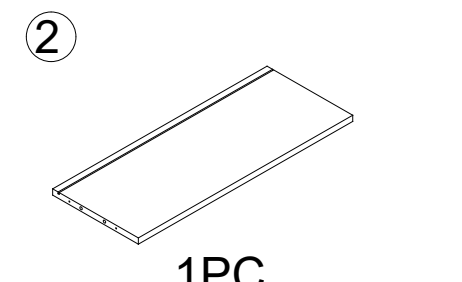
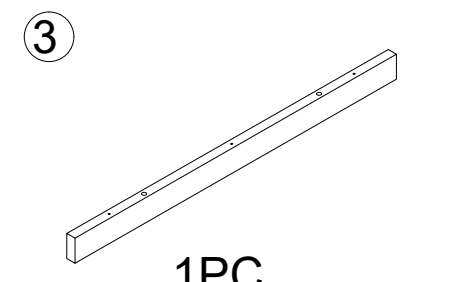
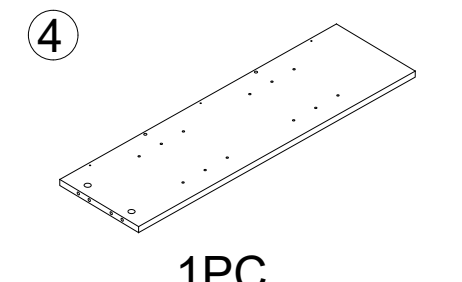
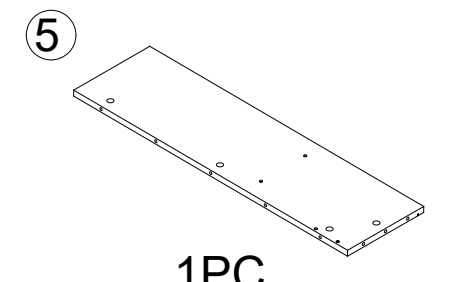
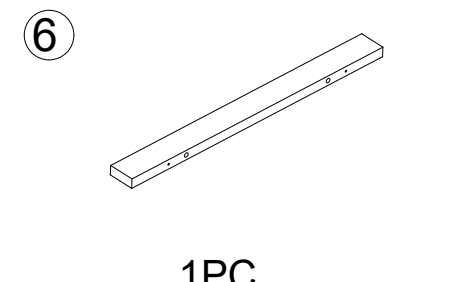
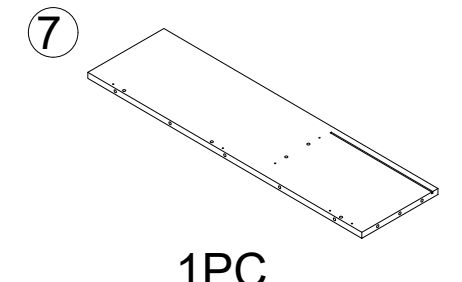
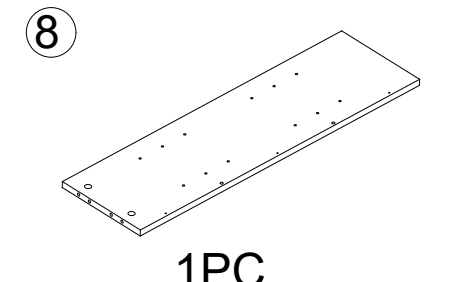
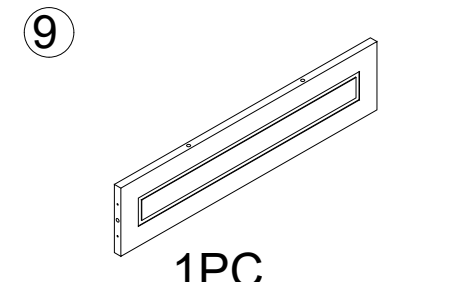
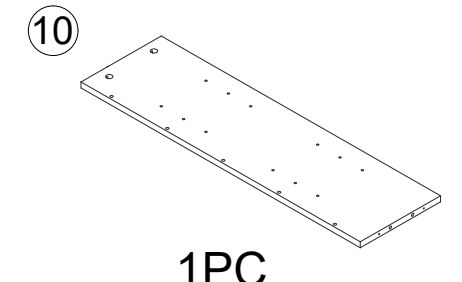
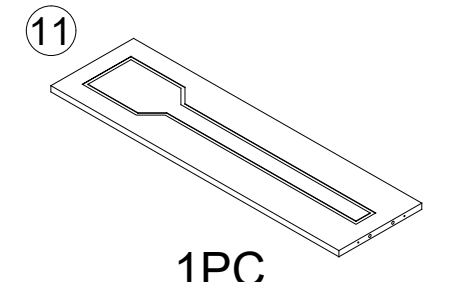
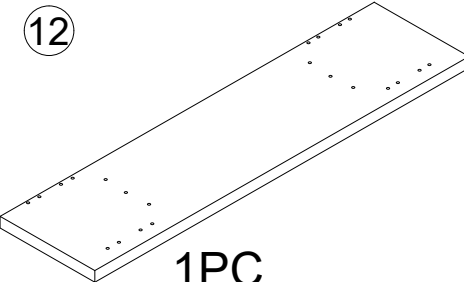
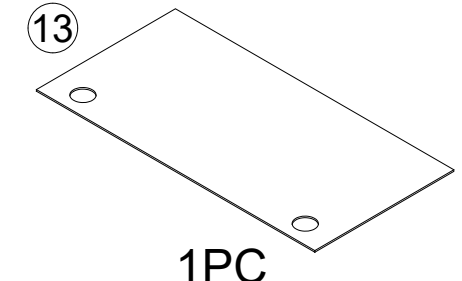
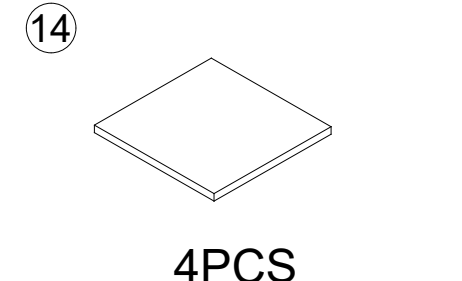
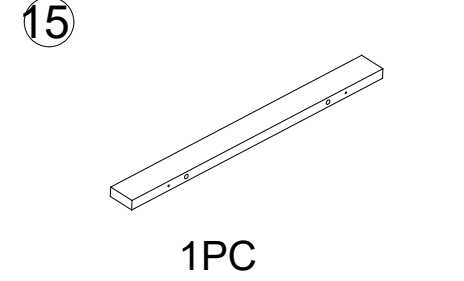
# Parts list

<p><b>A</b></p>  <p>Ø6x35mm 16(+1)PCS</p>	<p><b>B</b></p>  <p>Ø15x10mm 16(+1)PCS</p>	<p><b>C</b></p>  <p>Ø6x30mm 46(+2)PCS</p>	<p><b>D</b></p>  <p>Ø4x35mm 26(+2)PCS</p>
<p><b>E</b></p>  <p>Ø4x40mm 7PCS</p>	<p><b>F</b></p>  <p>16PCS</p>	<p><b>G</b></p>   <p>2PCS</p>	<p><b>H</b></p>  <p>Ø6x30mm 2PCS</p>
<p><b>I</b></p> <p>I-1      I-2</p>   <p>6PCS</p>	<p><b>M</b></p> <p>M-1      M-2</p>   <p>2PCS</p>	<p><b>N</b></p>  <p>16PCS</p>	

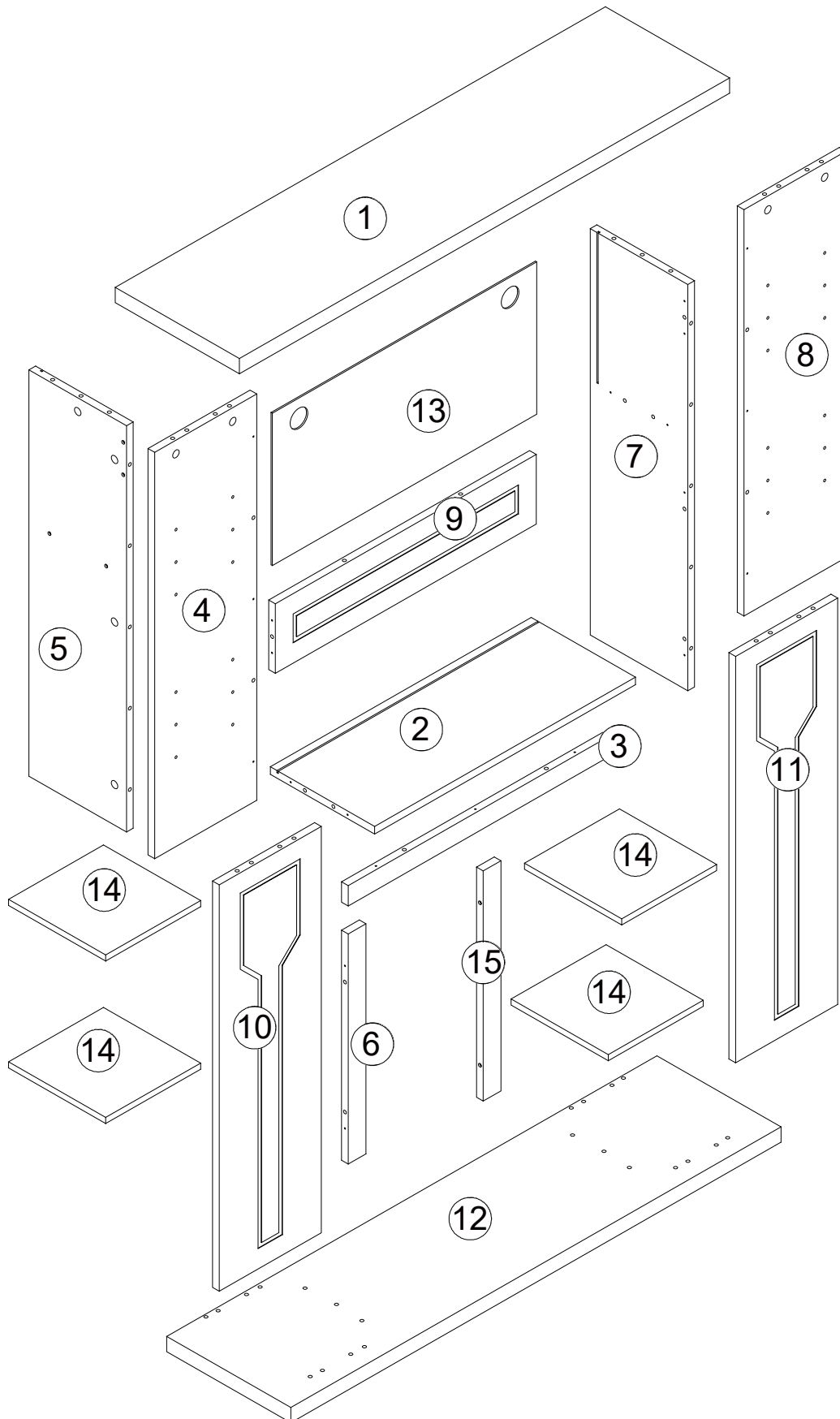
<p><b>J</b></p>  <p>2PCS</p>	<p><b>K</b></p>    <p>6PCS</p>	<p><b>L</b></p>        
---	---	--

Please note that these three accessories will be delivered together with the fireplace package and are not included in this shipment.

# Parts list

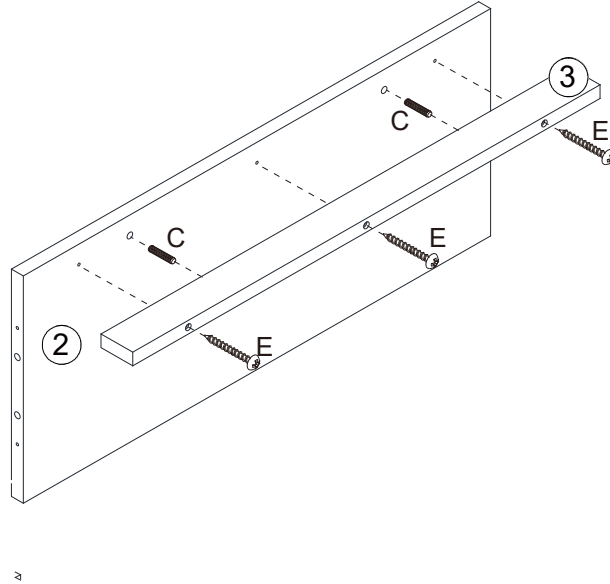
<p>①</p>  <p>1PC</p>	<p>②</p>  <p>1PC</p>	<p>③</p>  <p>1PC</p>
<p>④</p>  <p>1PC</p>	<p>⑤</p>  <p>1PC</p>	<p>⑥</p>  <p>1PC</p>
<p>⑦</p>  <p>1PC</p>	<p>⑧</p>  <p>1PC</p>	<p>⑨</p>  <p>1PC</p>
<p>⑩</p>  <p>1PC</p>	<p>⑪</p>  <p>1PC</p>	<p>⑫</p>  <p>1PC</p>
<p>⑬</p>  <p>1PC</p>	<p>⑭</p>  <p>4PCS</p>	<p>⑮</p>  <p>1PC</p>

# Parts list

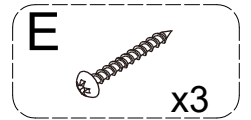
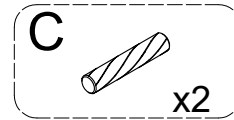


# Installation steps

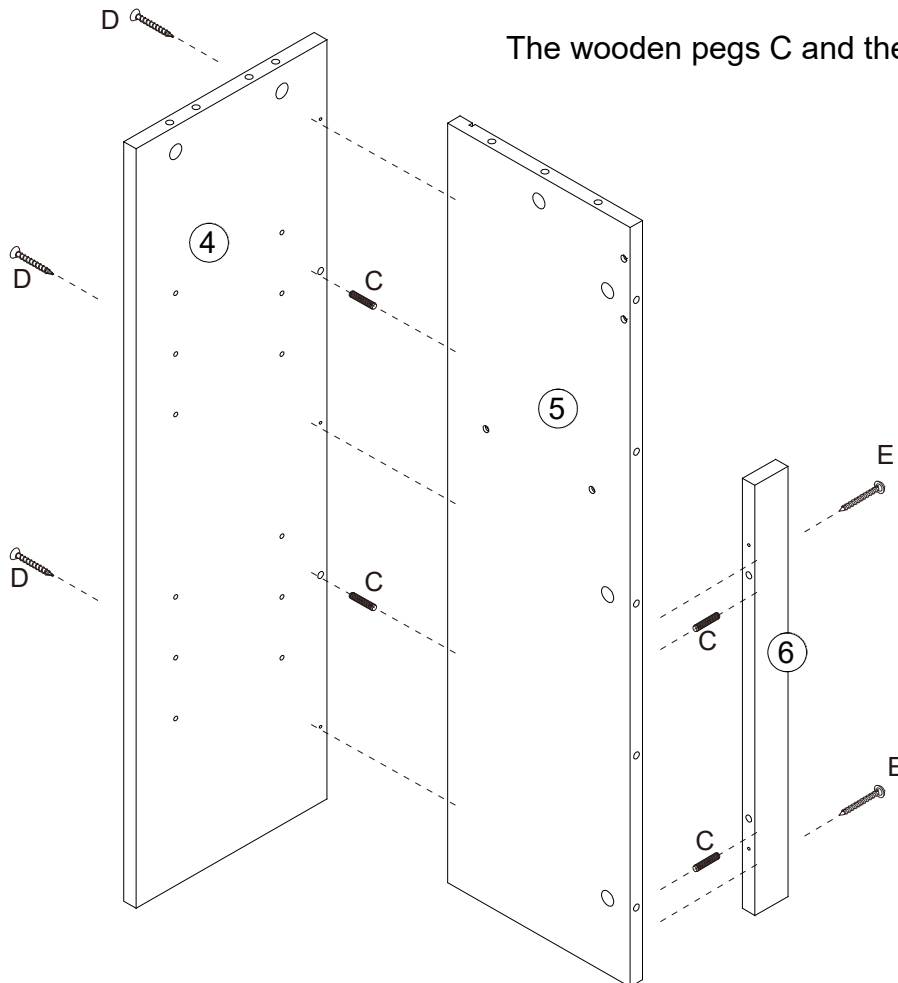
1.



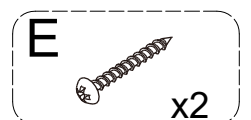
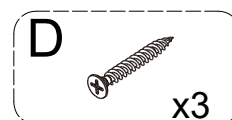
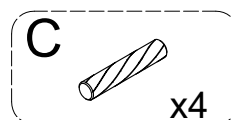
Note: All the wooden pegs C serve the function of connection, while the screws perform the role of fixation.- To make the assembly process more convenient, after connecting the wooden boards with wooden pegs, they are fixed using screws.



2.

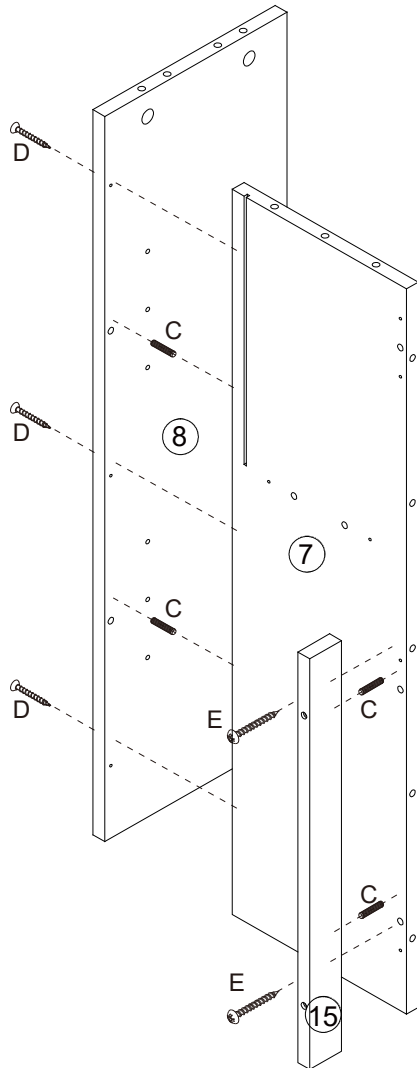


The wooden pegs C and the screws are on the same side.

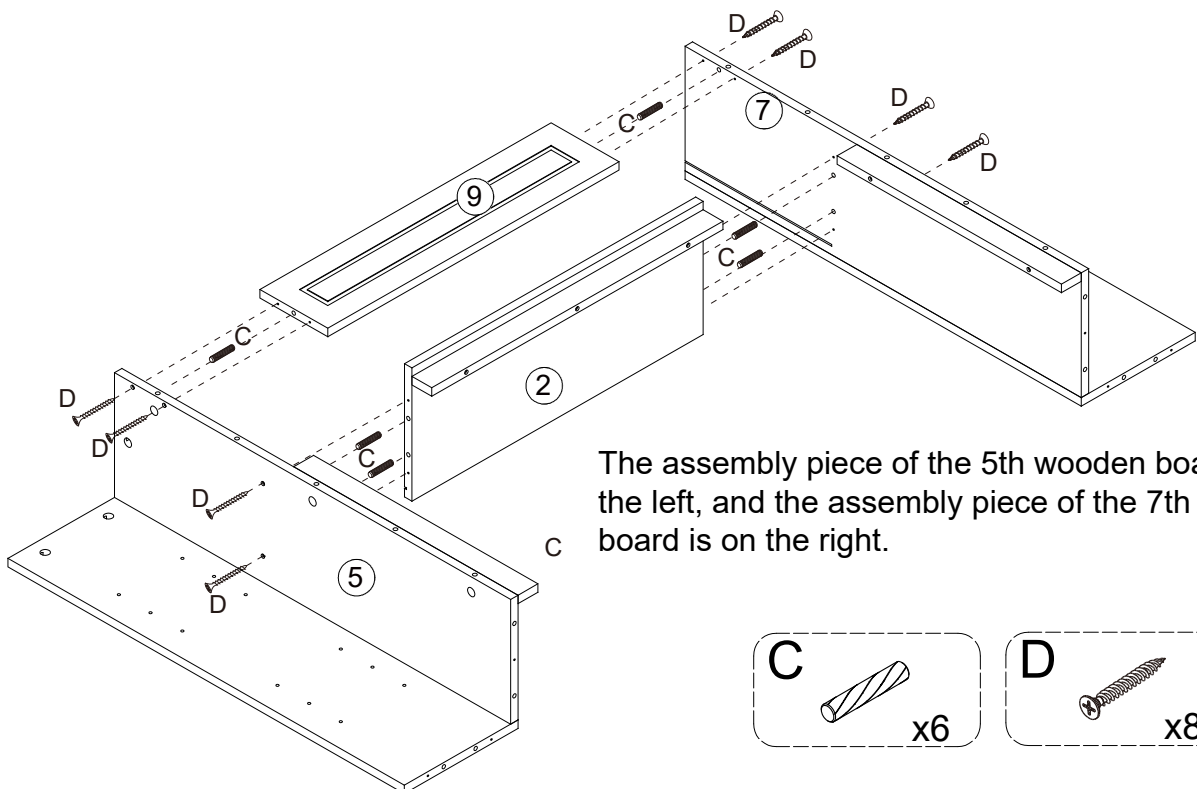


# Installation steps

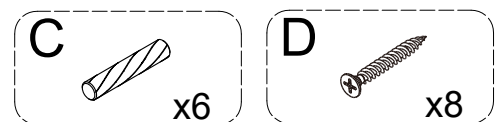
3.



4.

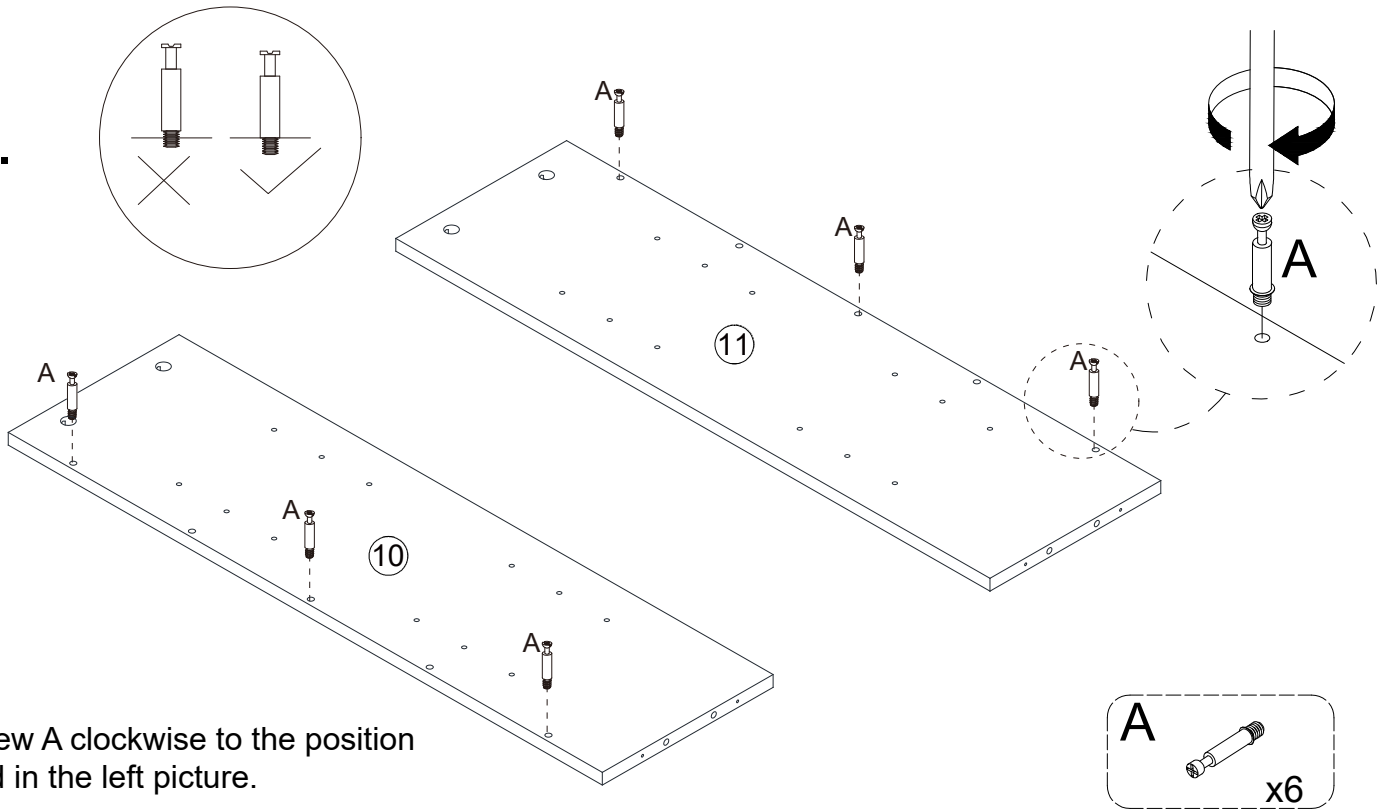


The assembly piece of the 5th wooden board is on the left, and the assembly piece of the 7th wooden board is on the right.

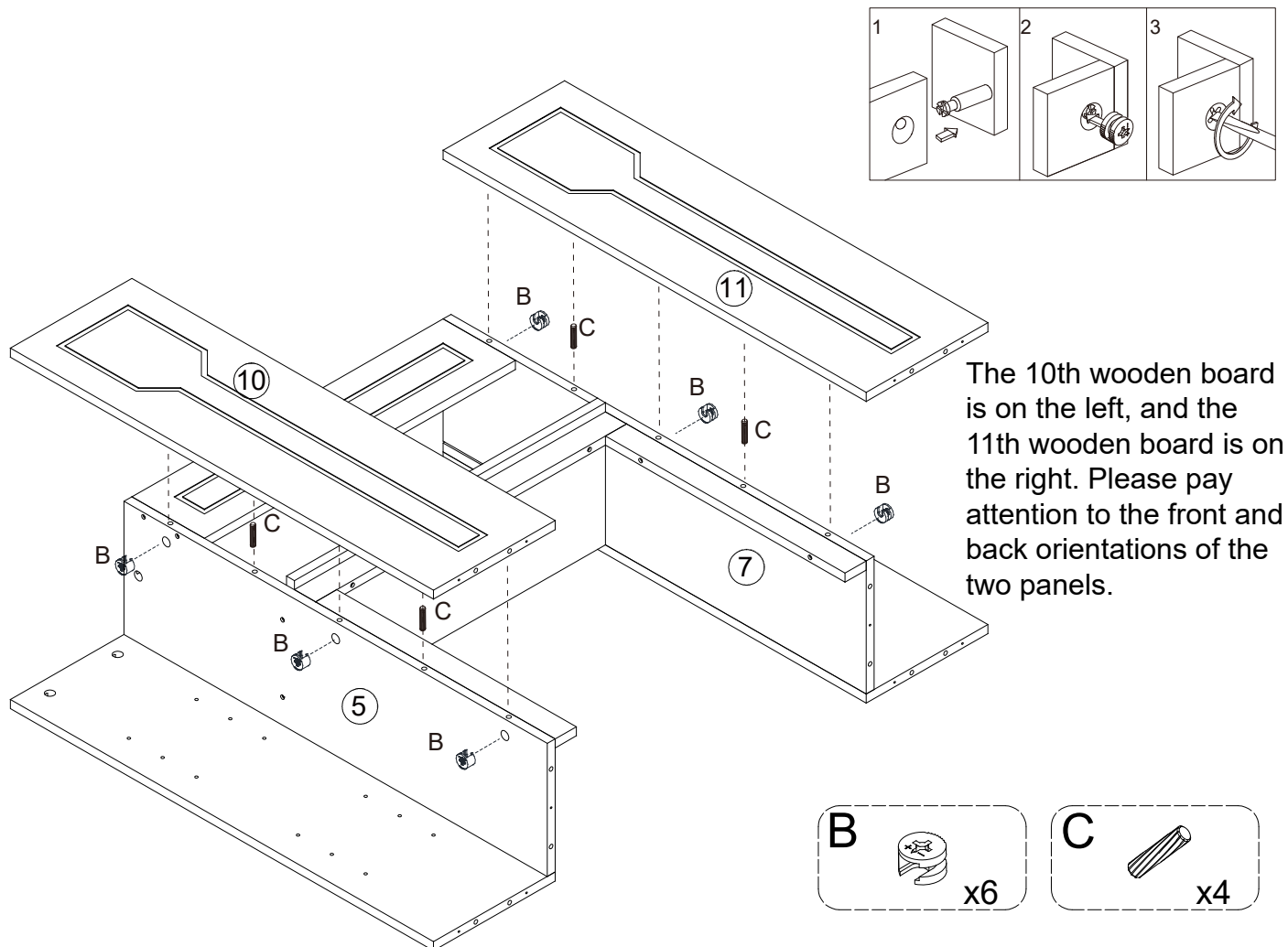


# Installation steps

5.

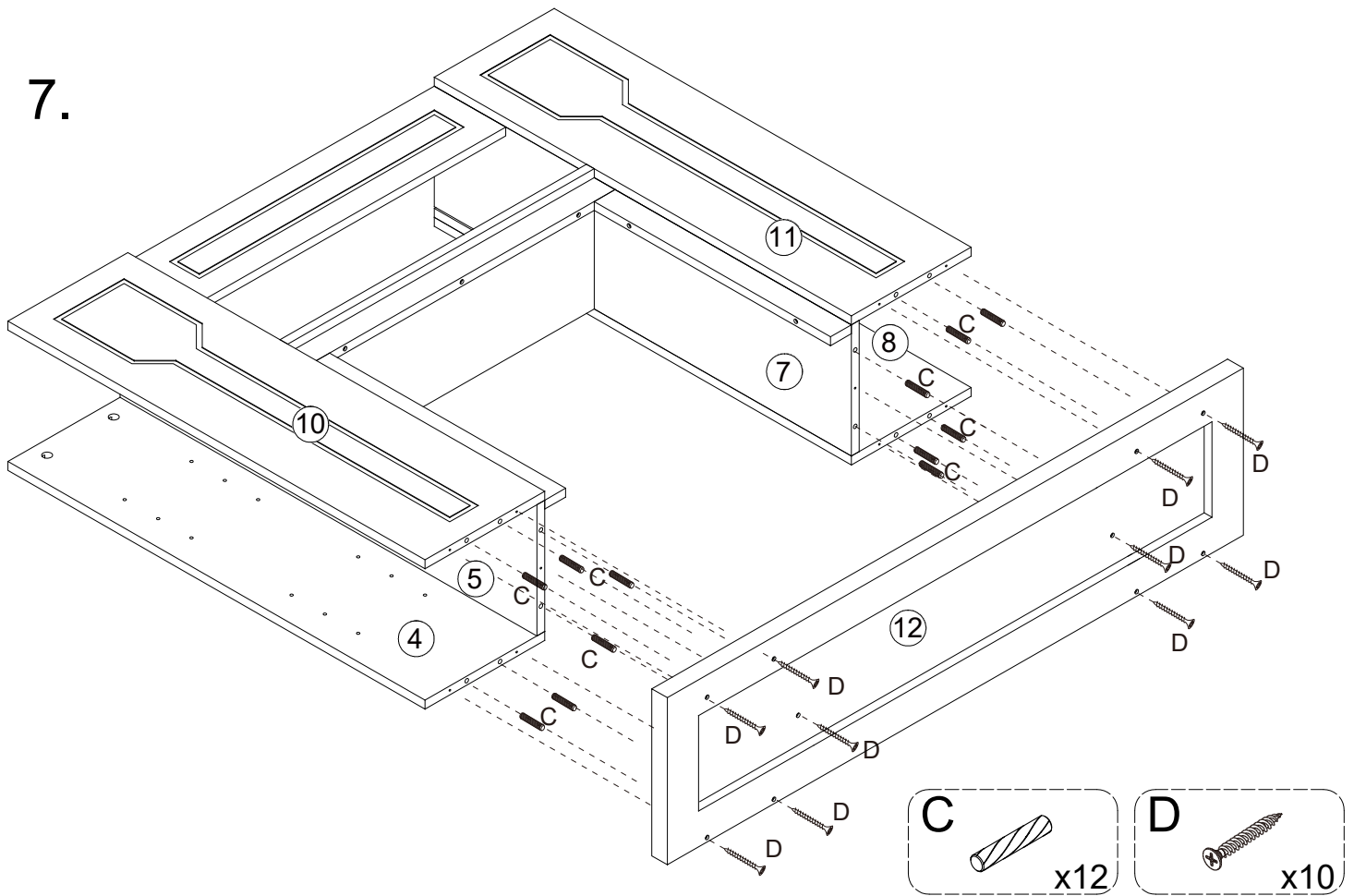


6.

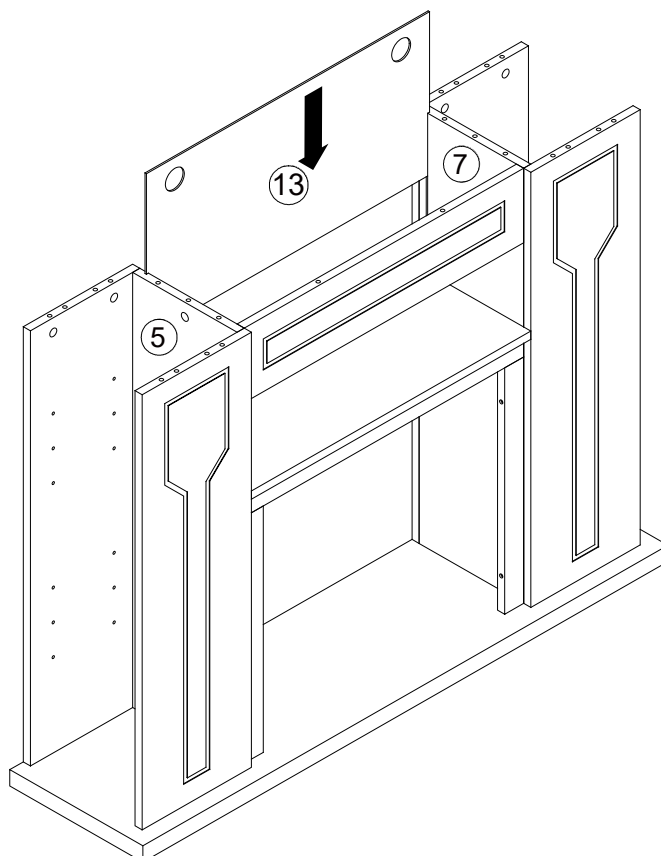


# Installation steps

7.



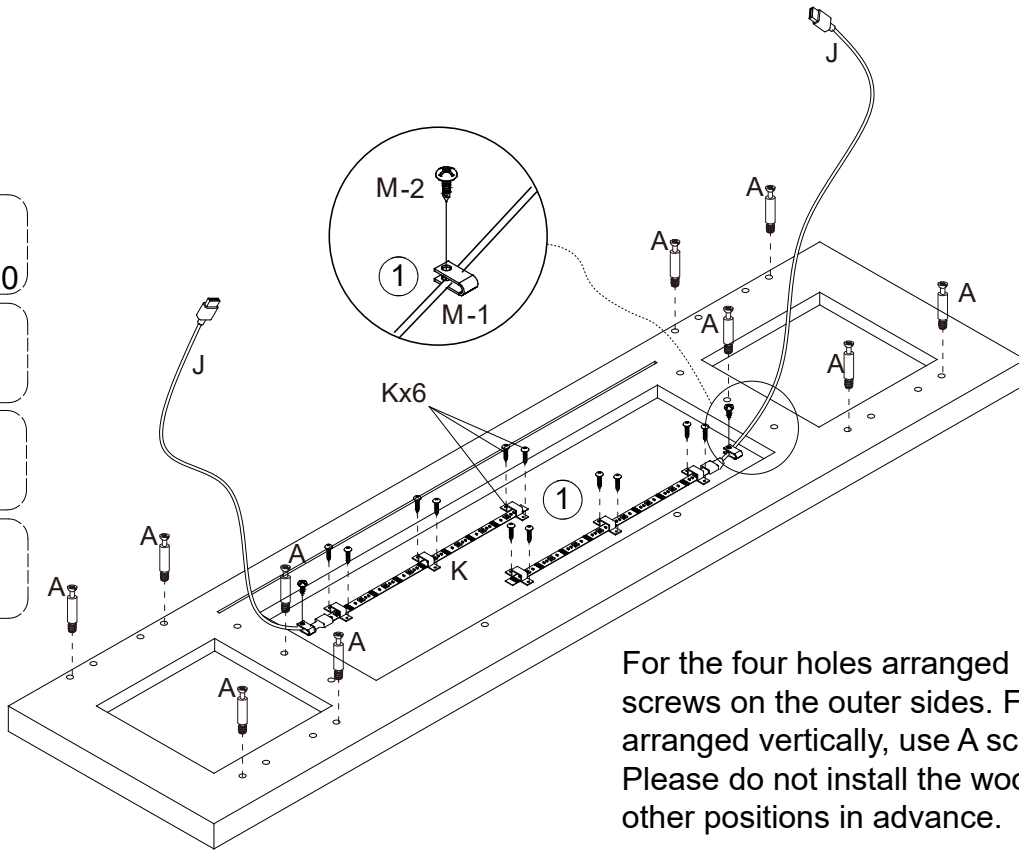
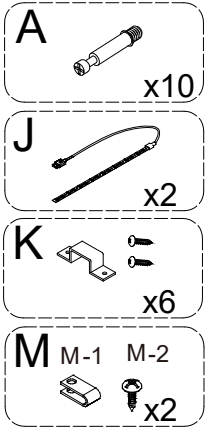
8.



The pull-through hole should be kept on the top.

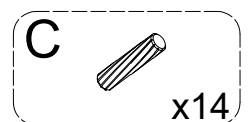
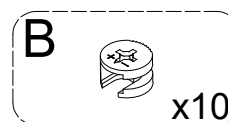
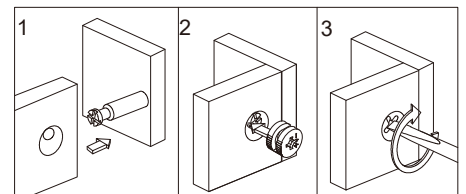
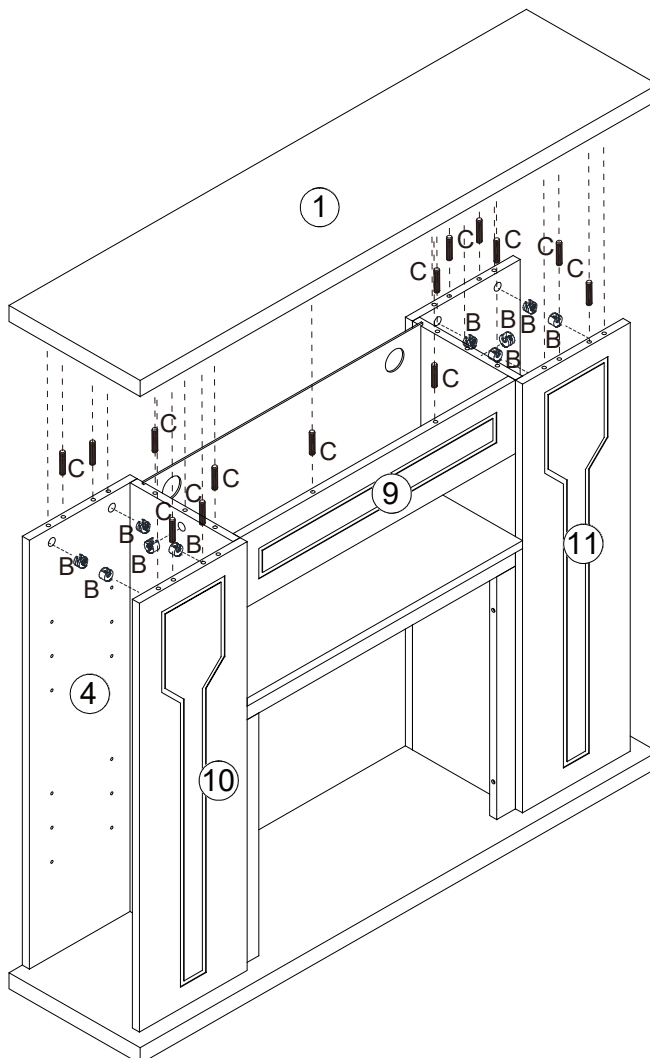
# Installation steps

9.



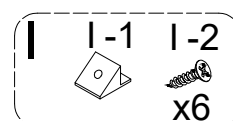
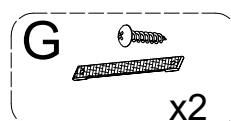
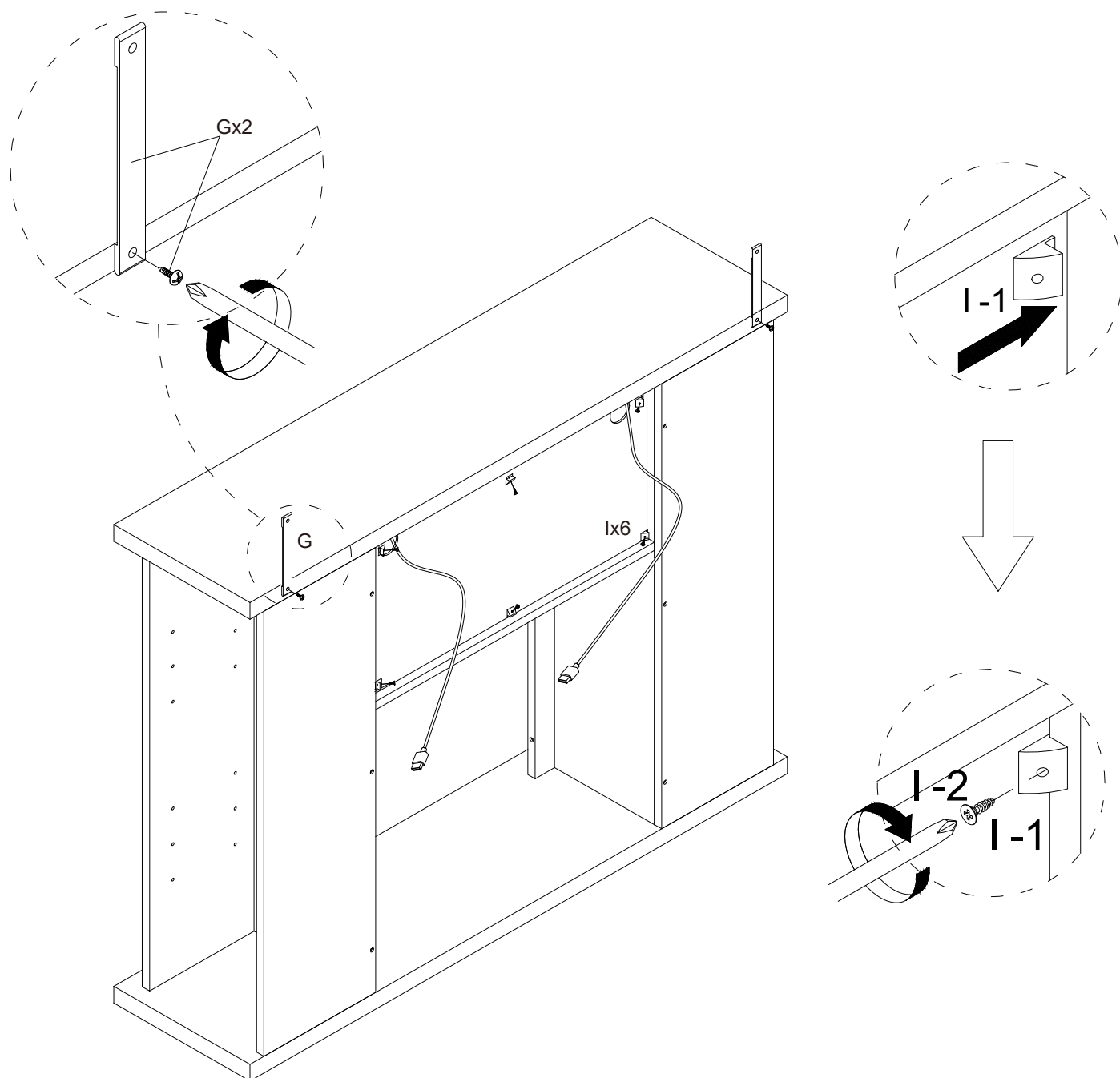
For the four holes arranged horizontally, use A screws on the outer sides. For the three holes arranged vertically, use A screws in the middle. Please do not install the wooden pegs C in any other positions in advance.

10.



# Installation steps

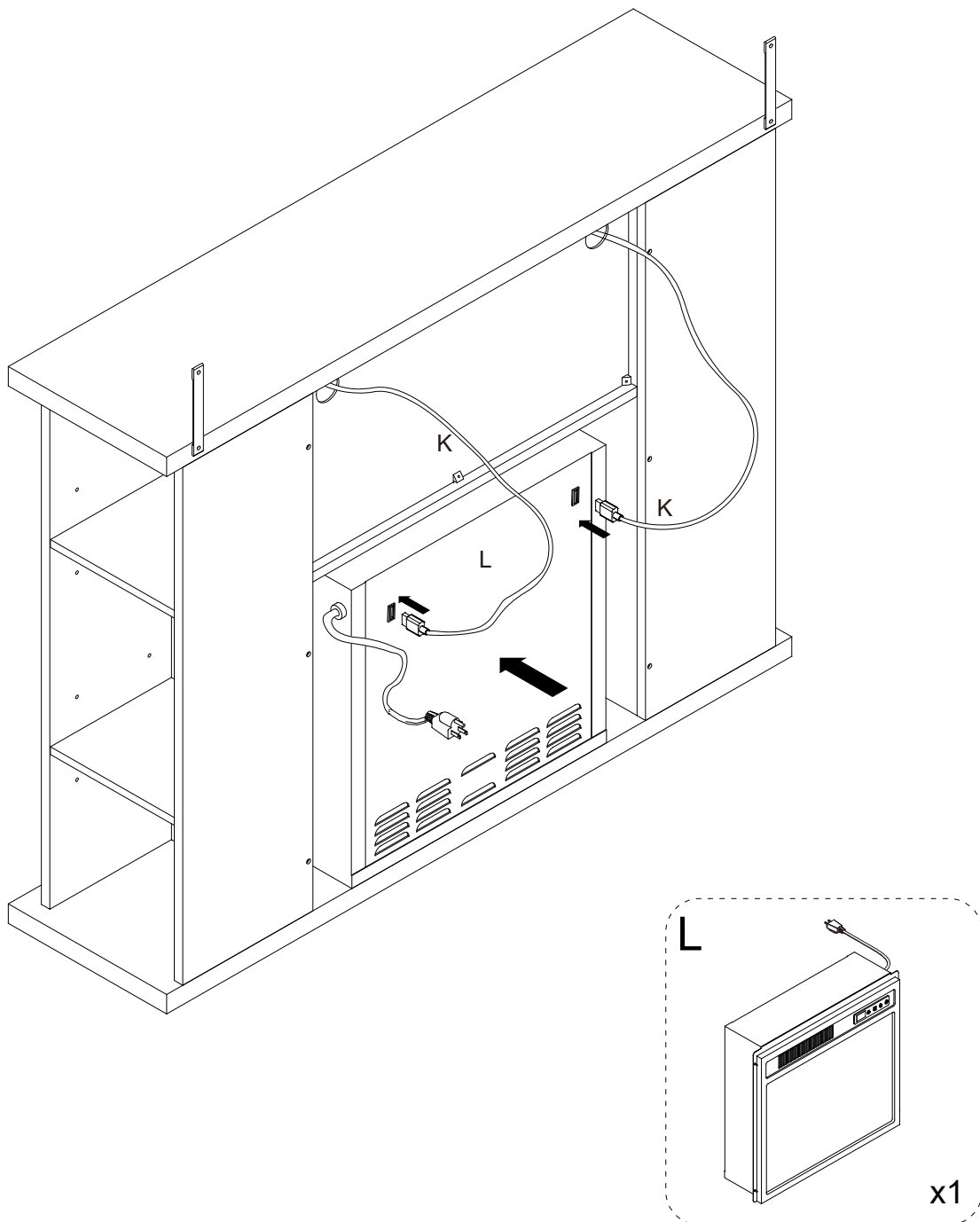
11.



# Installation steps

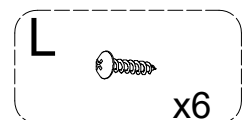
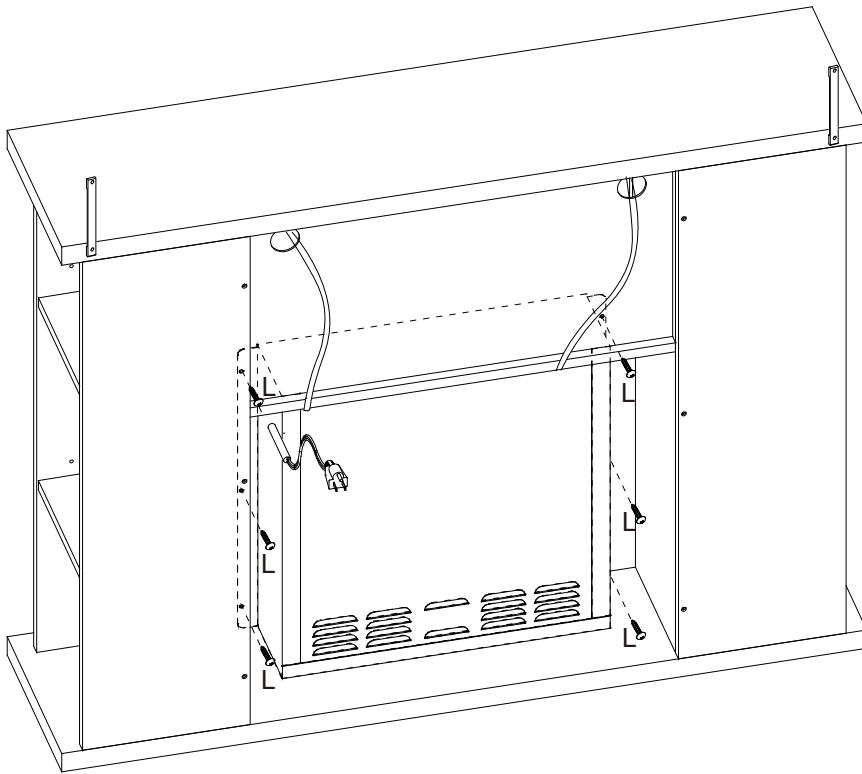
12.

Push the fireplace into the cabinet from the back.



# Installation steps

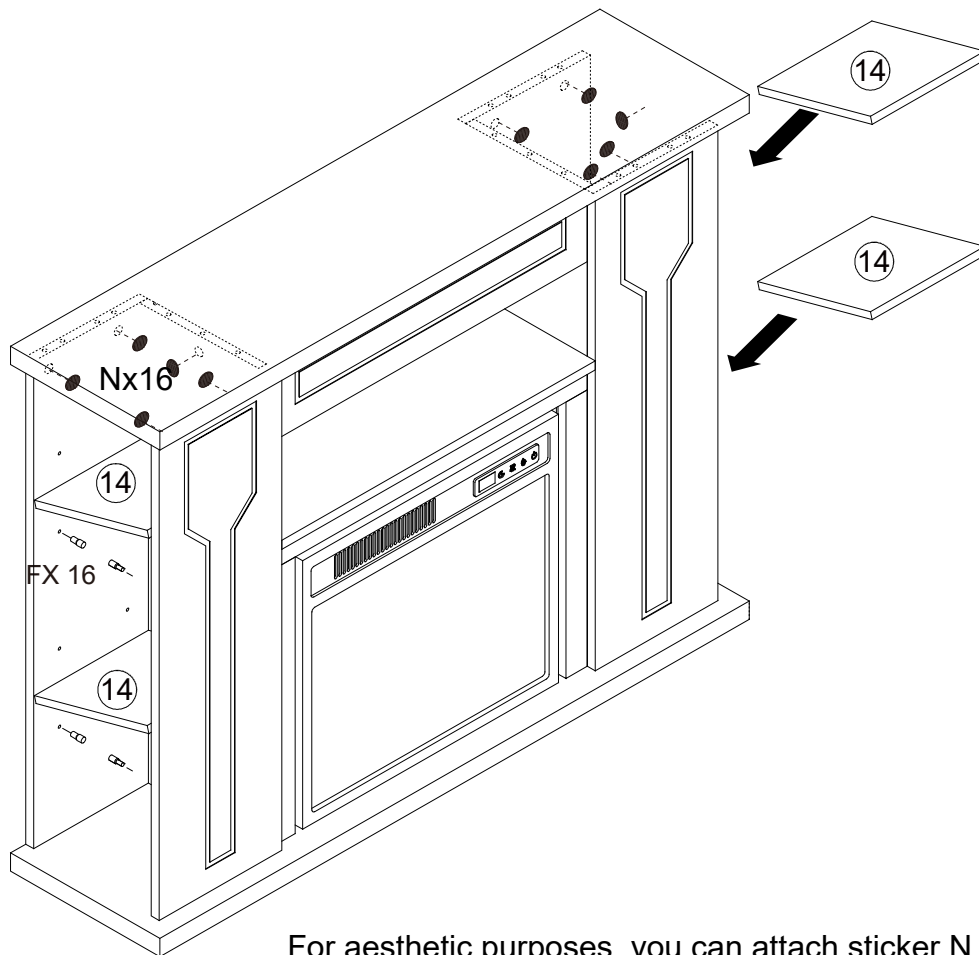
13.



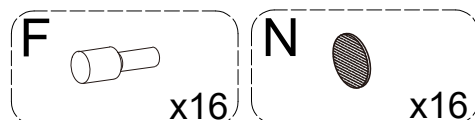
# Installation steps

14.

We have designed adjustable height partitions. You can adjust the height of the partitions as needed.

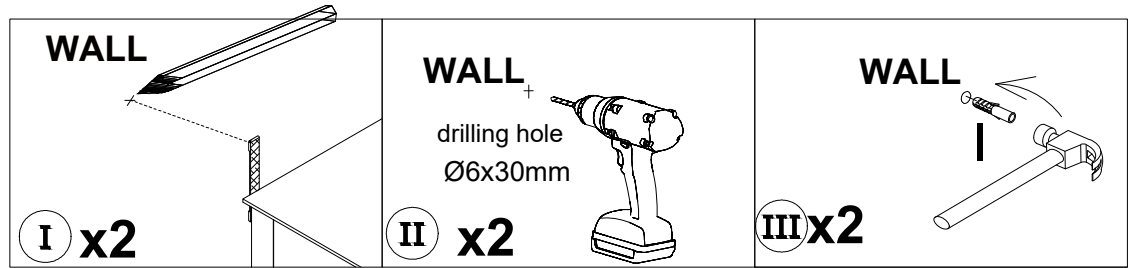


For aesthetic purposes, you can attach sticker N to the area where the F screw is used.

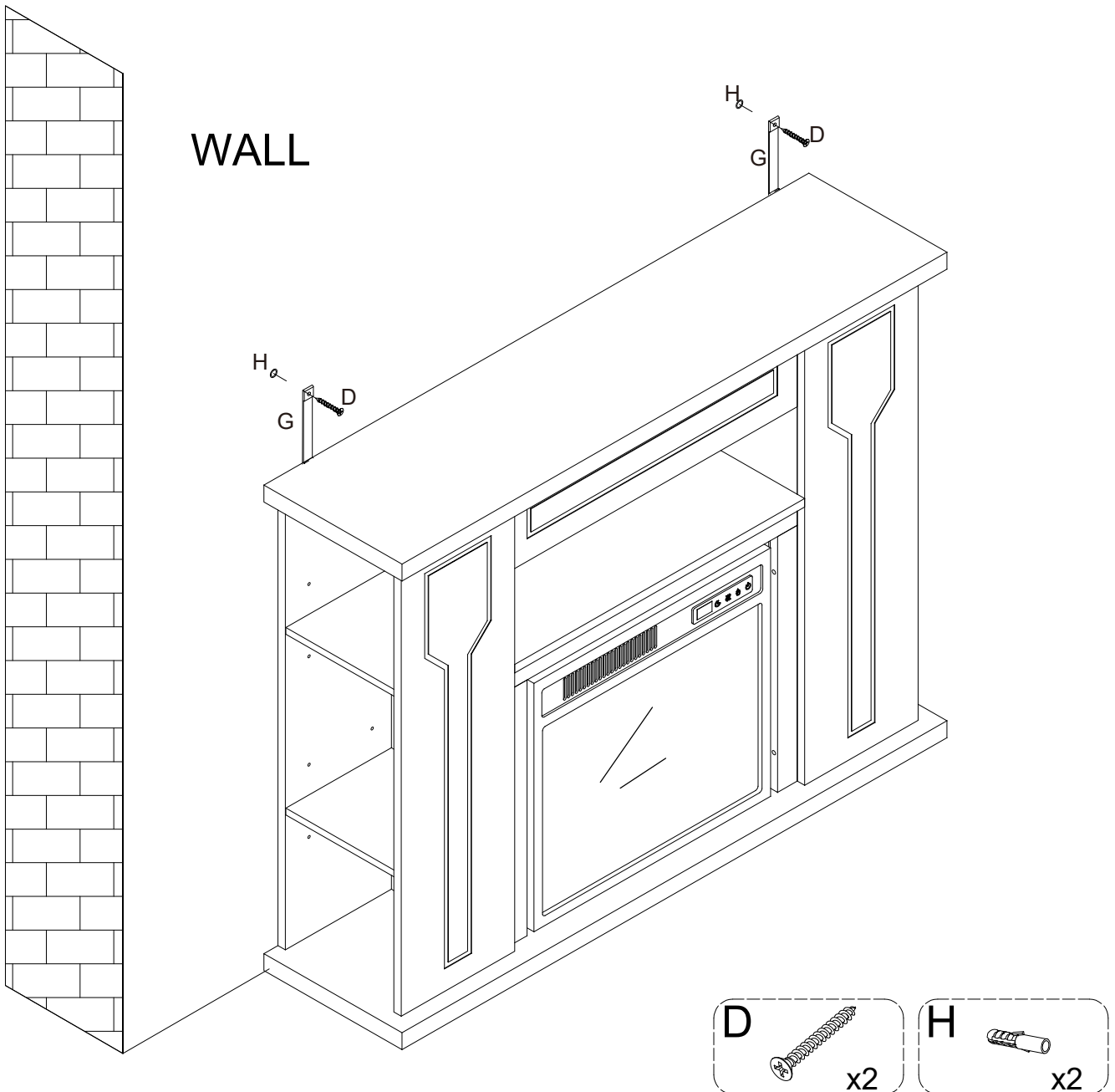


# Installation steps

15.



We have designed an anti-tilt device to ensure safety.



# Installation steps

