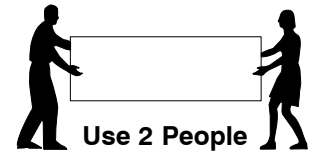
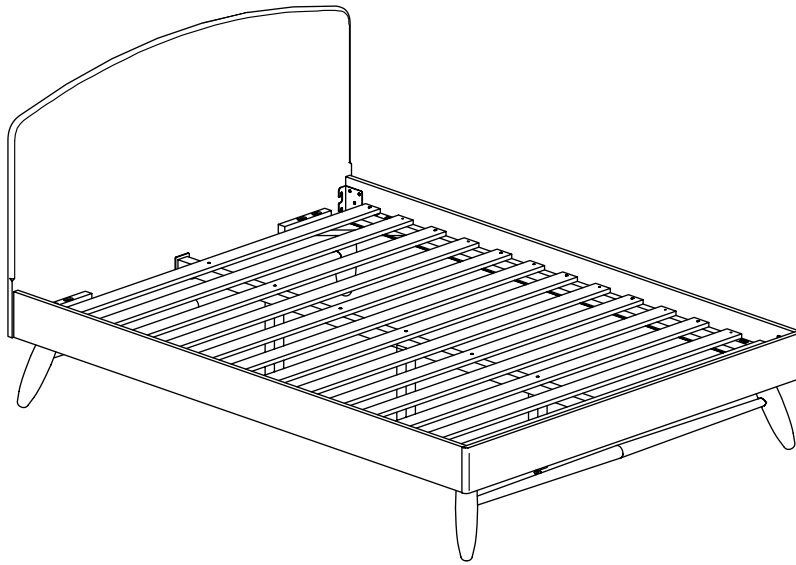


Full Bed

Assembly Instructions

W11-0820

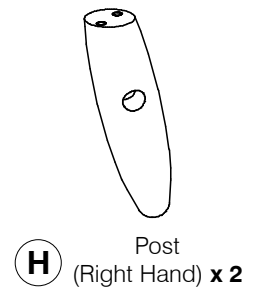
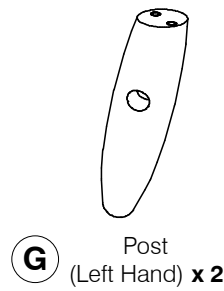
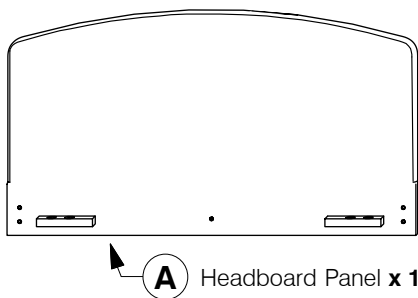
1 Assembled View



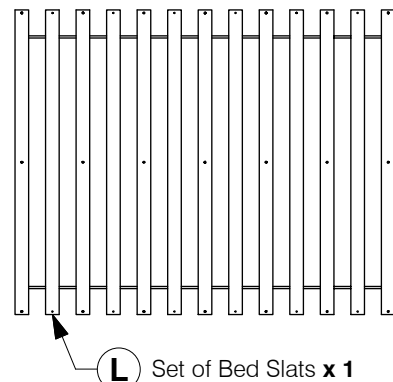
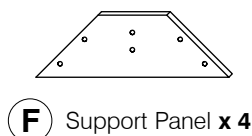
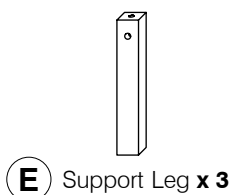
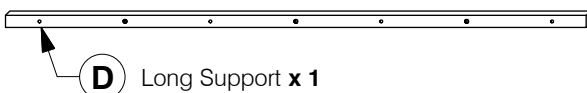
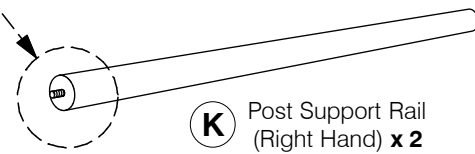
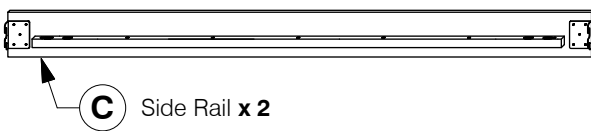
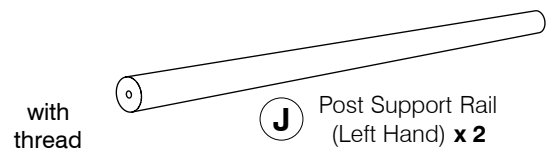
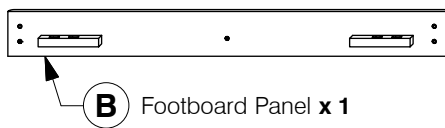
Note: Do not assemble using power tools. This can cause the bolts to be overtightened

2 Parts List

Parts in Box A:



Parts in Box B:



Full Bed

Assembly Instructions

W11-0820

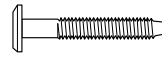
3 Hardware List



1 M6 x 100mm JCB
x 3



2 M6 x 50mm JCB
x 16



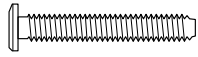
3 M6 x 40mm JCB
x 18



4 M6 x 20mm JCB
x 8



5 M6 x 15mm JCB
x 4



6 M8 x 50mm JCB
x 8



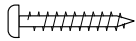
7 Barrel Nut
x 3



8 Spring Washer
x 24



9 Flat Washer
x 24



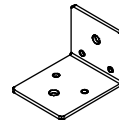
10 Wood Screw
(M4 x 32mm) x 12



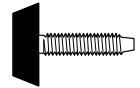
11 M4 Allen Key
x 1



12 M5 Allen Key
x 1

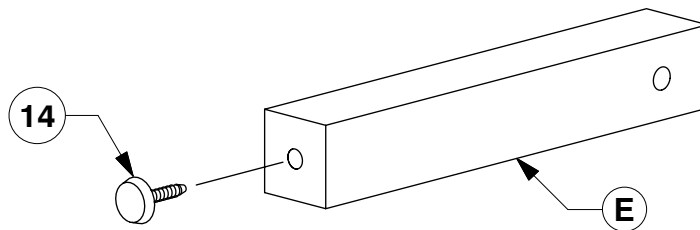


13 Center Rail
Bracket x 2

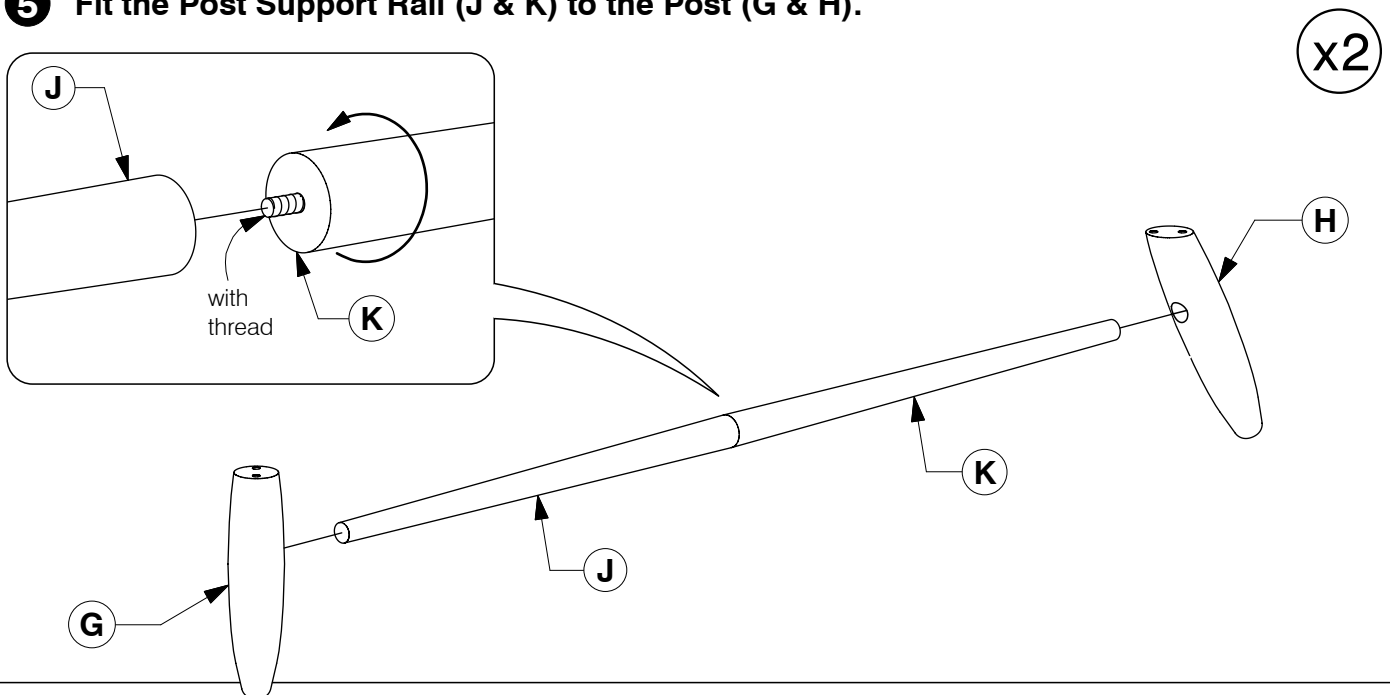


14 Adjustable
Foot x 3

4 Fix the Adjustable foot to the bottom of the Support Leg (E).



5 Fit the Post Support Rail (J & K) to the Post (G & H).



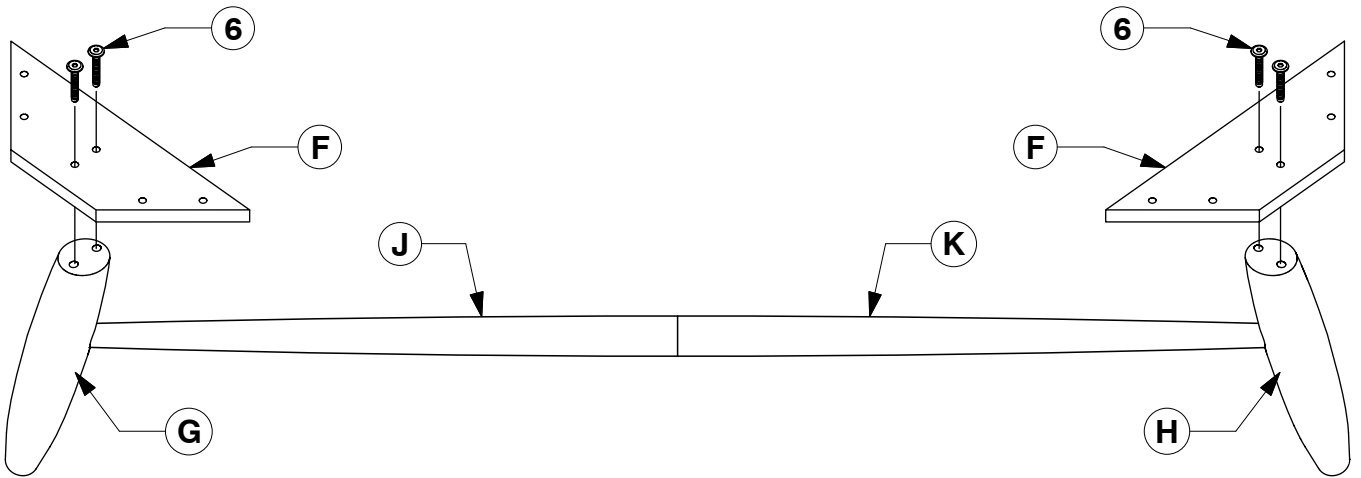
Full Bed

Assembly Instructions

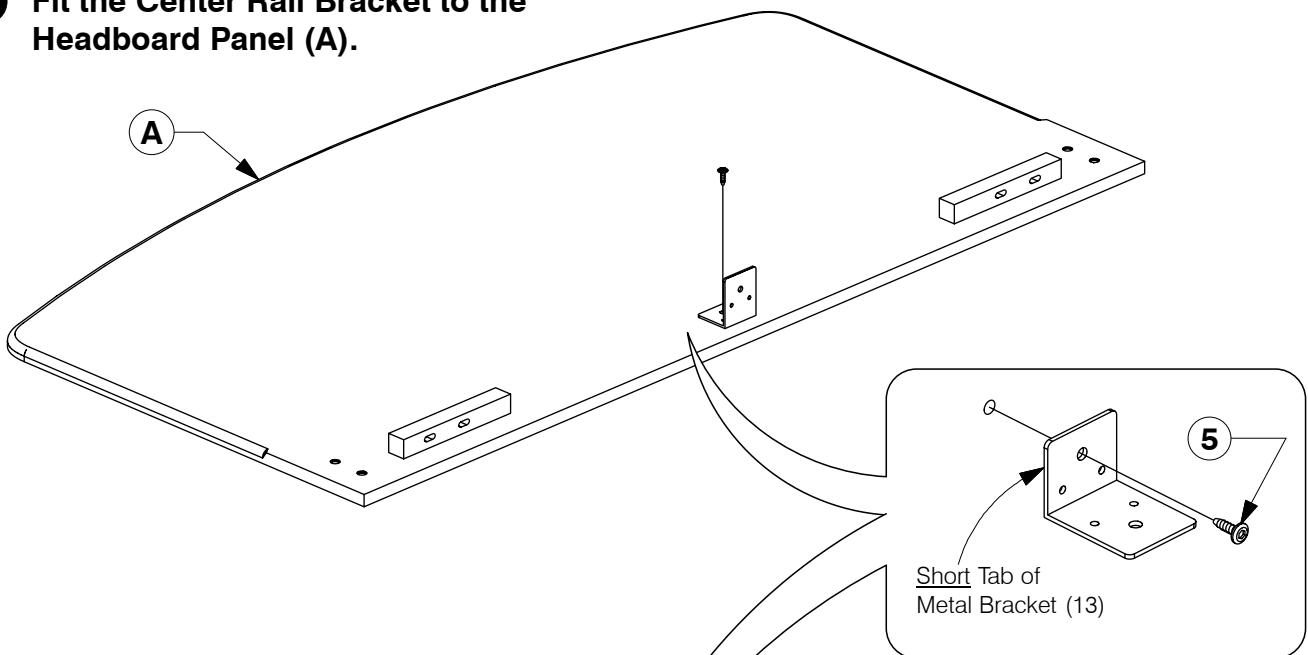
W11-0820

- 6** Assemble the Support Panel (F) to the assembled Post (G & H) & Post Support Rail (J & K) .

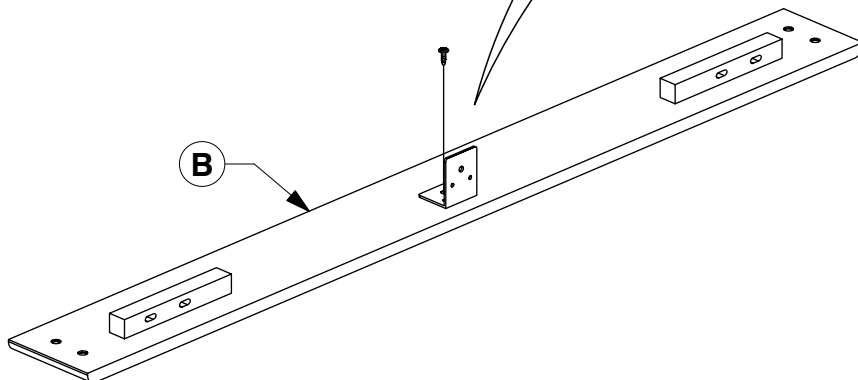
x2



- 7** Fit the Center Rail Bracket to the Headboard Panel (A).



- 8** Fit the Center Rail Bracket to the Footboard Panel (B).

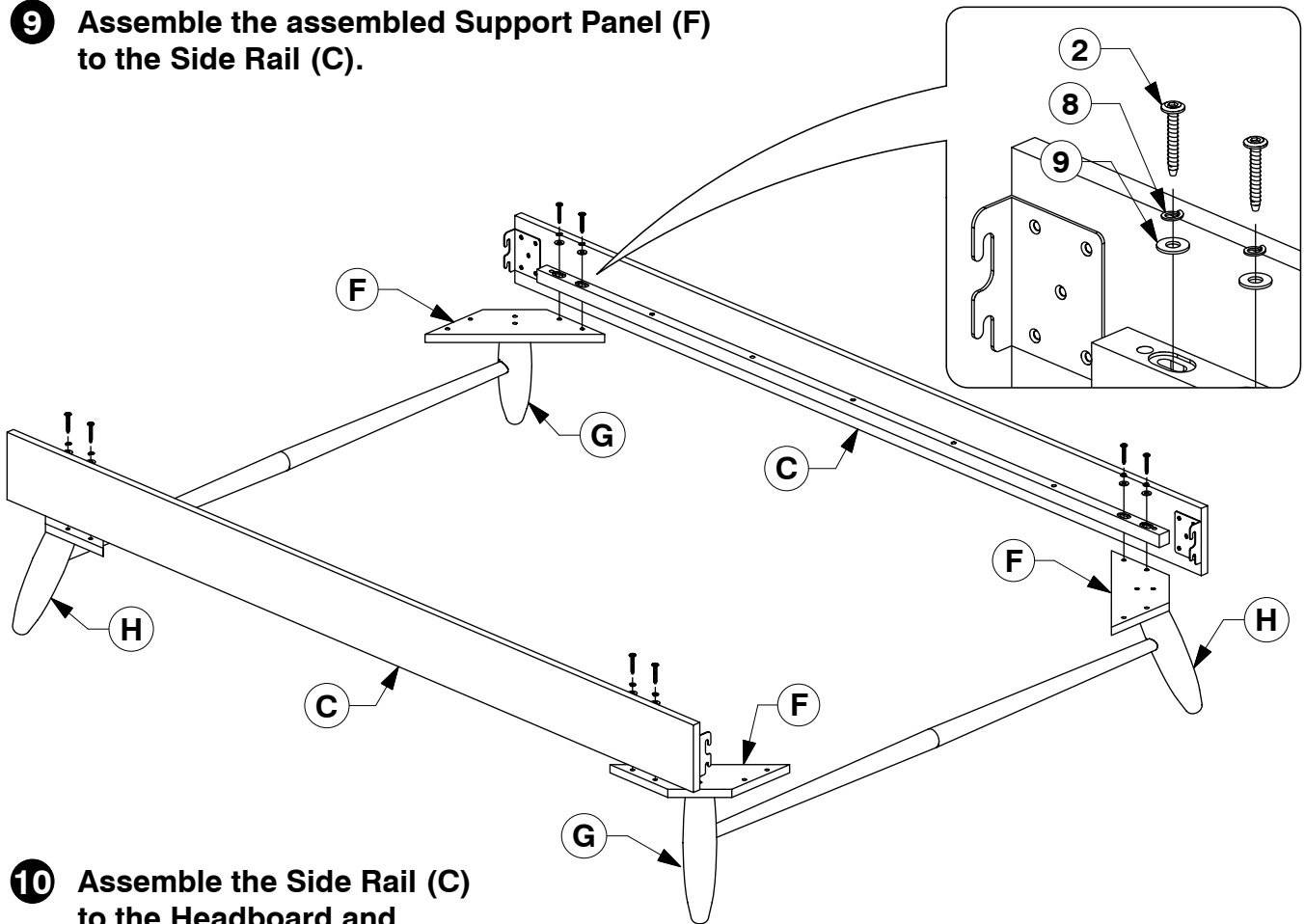


Full Bed

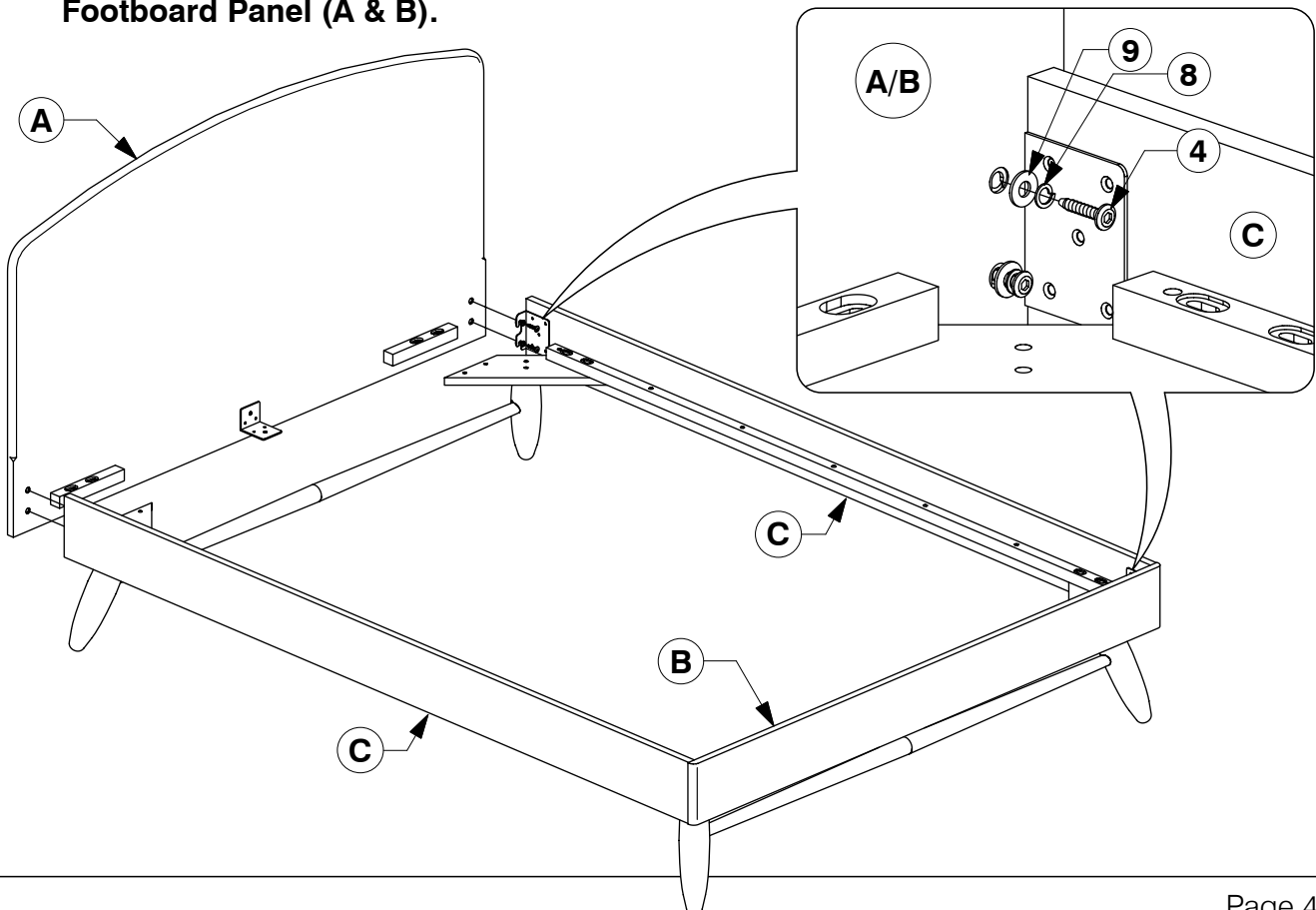
Assembly Instructions

W11-0820

- 9** Assemble the assembled Support Panel (F) to the Side Rail (C).



- 10** Assemble the Side Rail (C) to the Headboard and Footboard Panel (A & B).

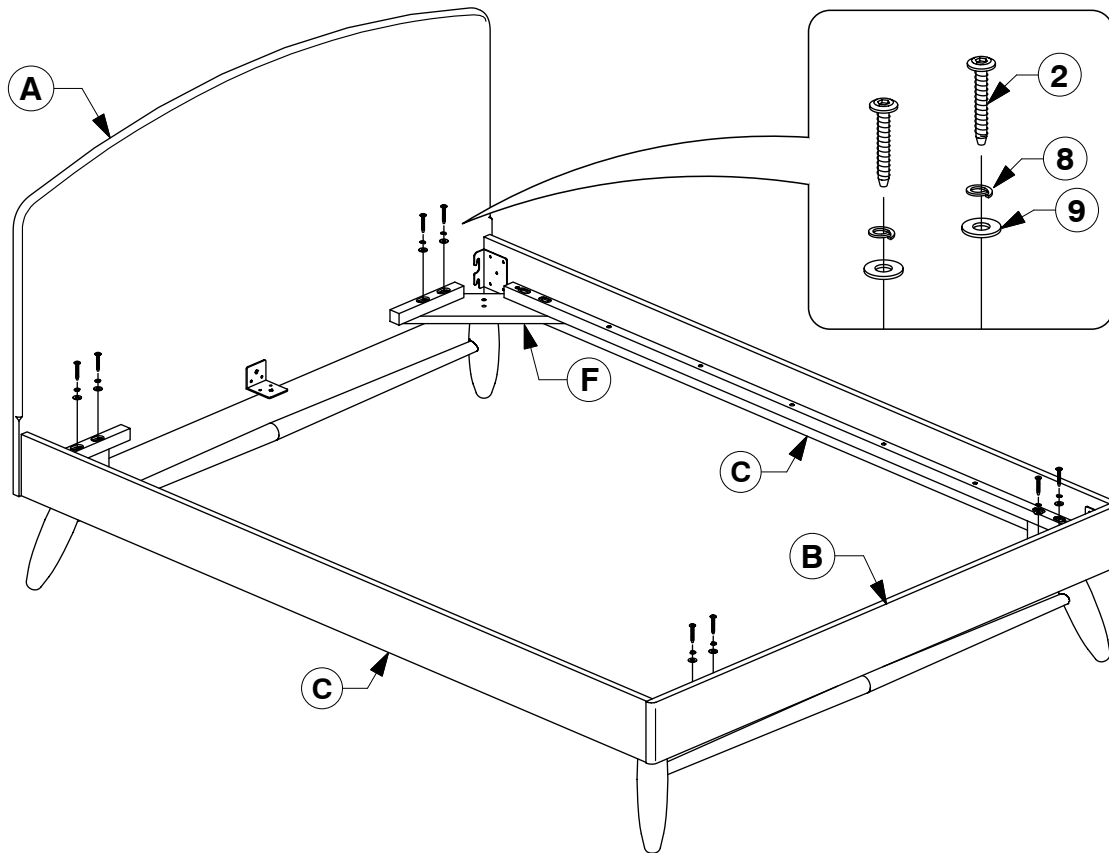


Full Bed

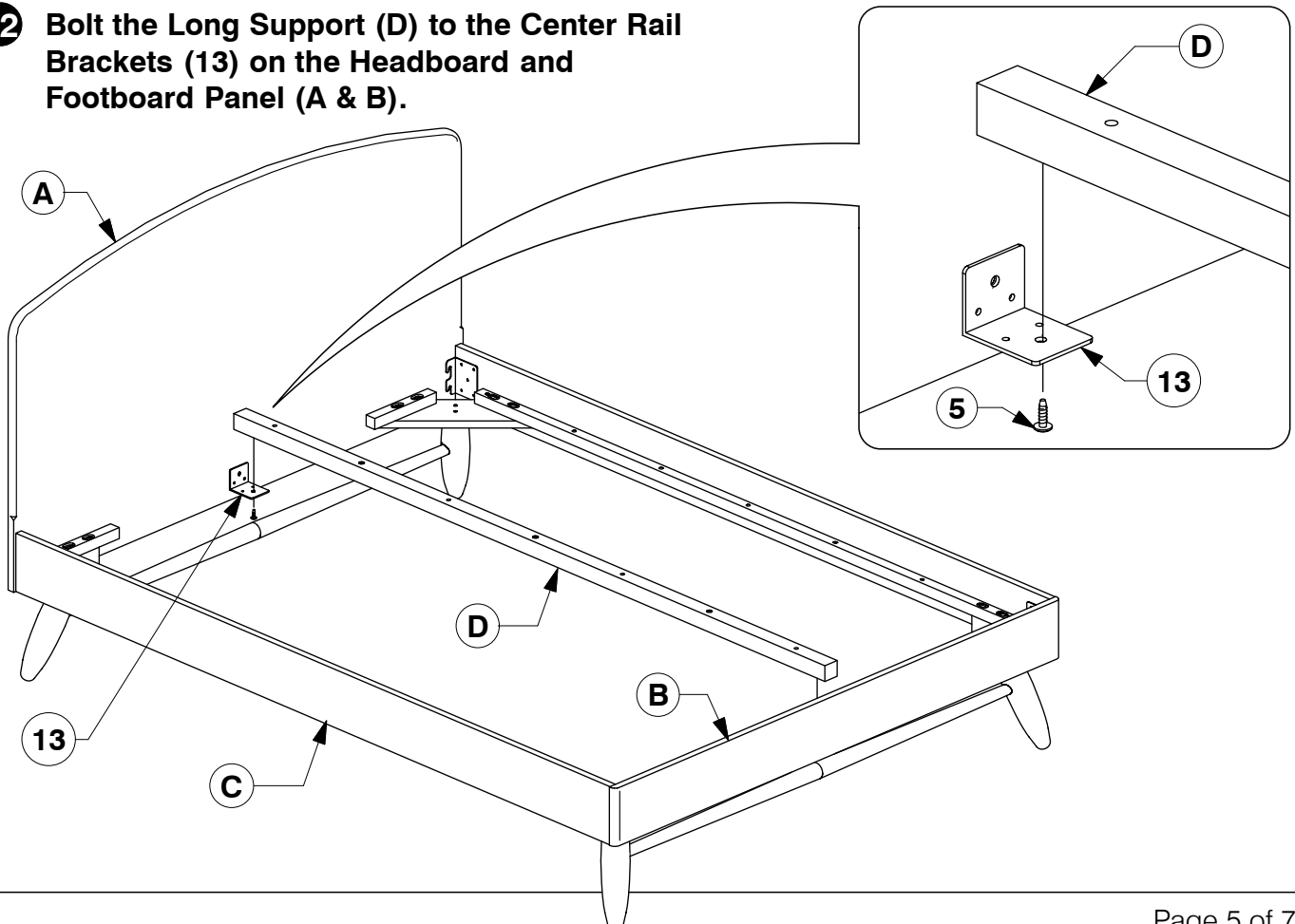
Assembly Instructions

W11-0820

- 11** Bolt the Support Panel (F) to the Headboard and Footboard Panel (A & B).



- 12** Bolt the Long Support (D) to the Center Rail Brackets (13) on the Headboard and Footboard Panel (A & B).

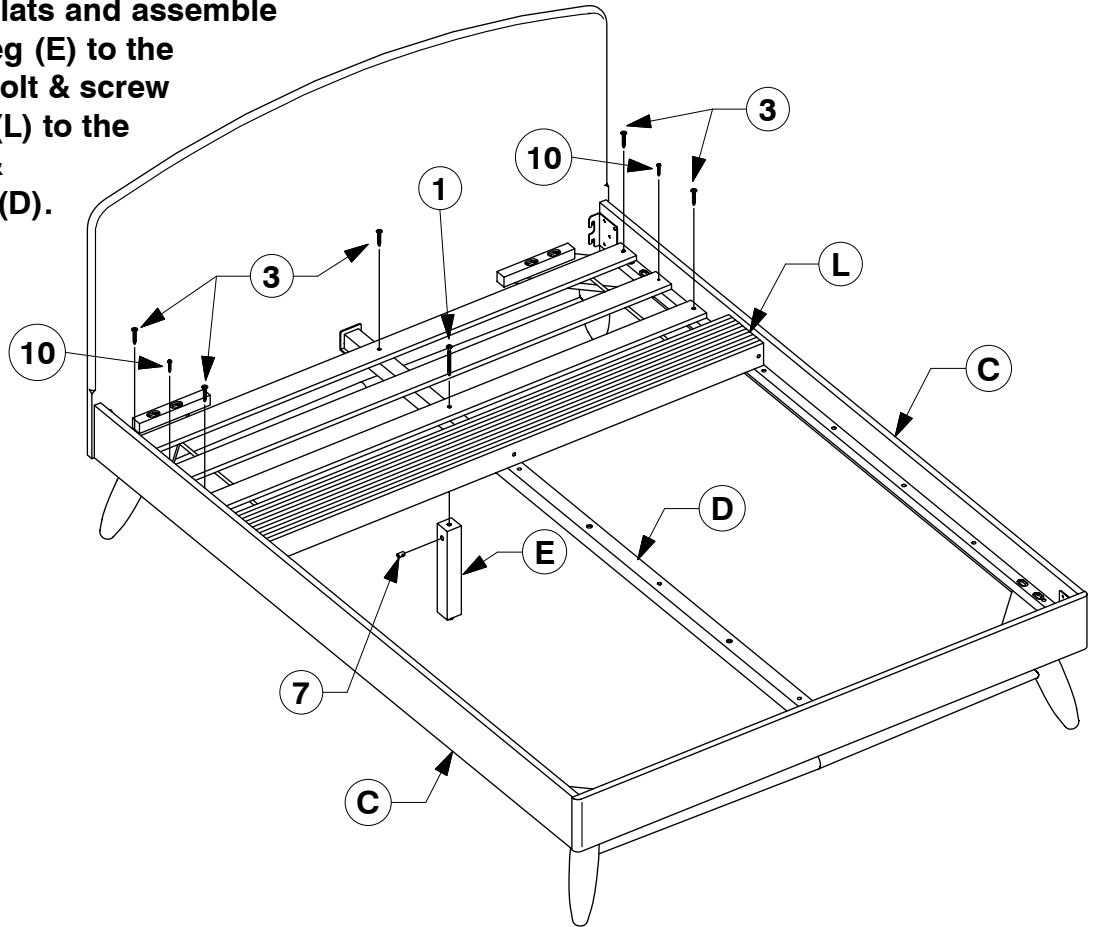


Full Bed

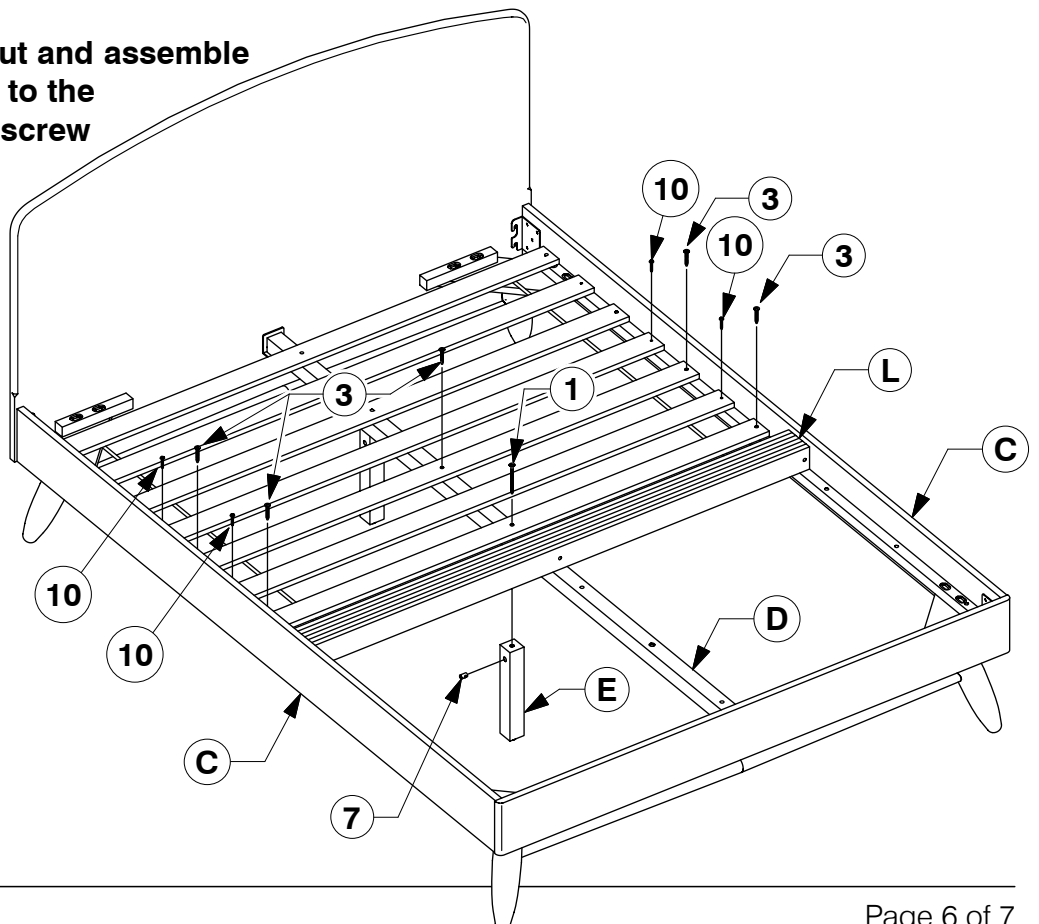
Assembly Instructions

W11-0820

- 13** Fit the first 3 Slats and assemble the Support Leg (E) to the Bed Slat (L). Bolt & screw the Bed Slats (L) to the Side Rail (C) & Long Support (D).



- 14** Fit the other Slats out and assemble the Support Leg (E) to the Bed Slat (L). Bolt & screw the Bed Slats (L) to the Side Rail (C) & Long Support (D).

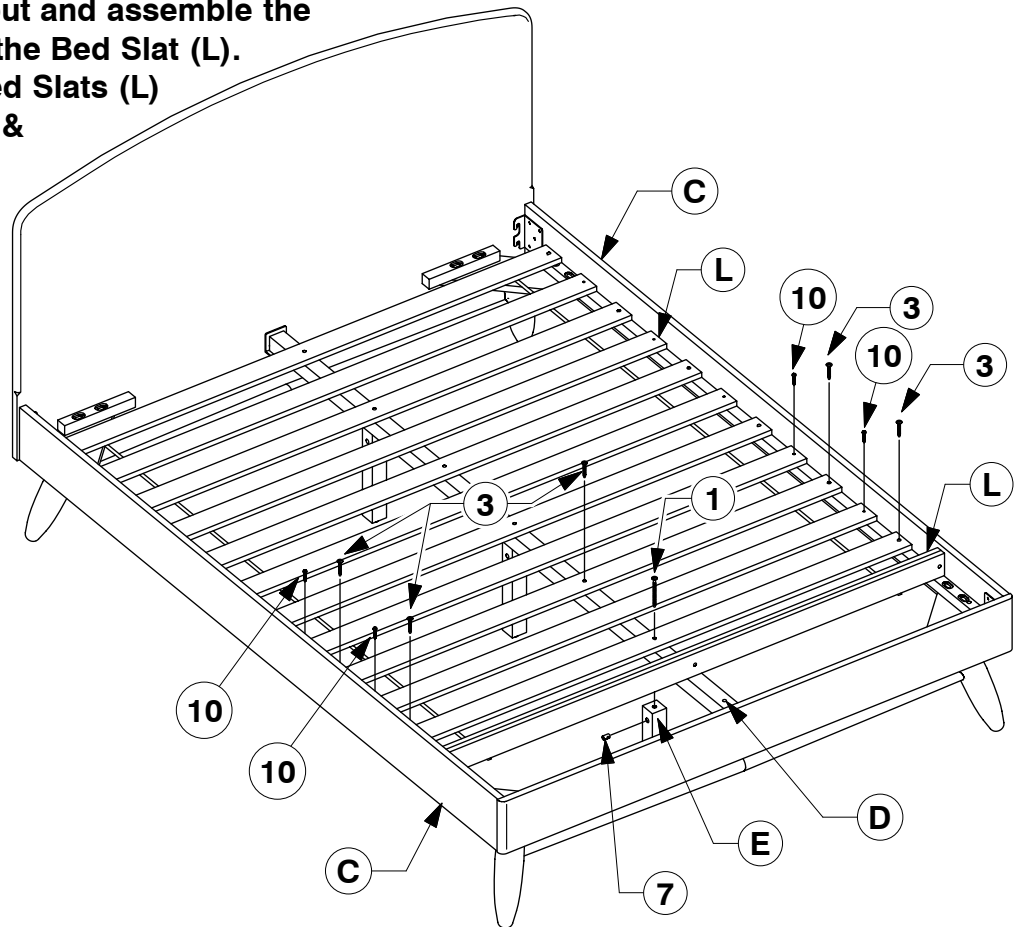


Full Bed

Assembly Instructions

W11-0820

- 15** Fit the other Slats out and assemble the Support Leg (E) to the Bed Slat (L). Bolt & screw the Bed Slats (L) to the Side Rail (C) & Long Support (D).



- 16** Bolt & screw the remaining Bed Slats (L) to the Side Rail (C).

