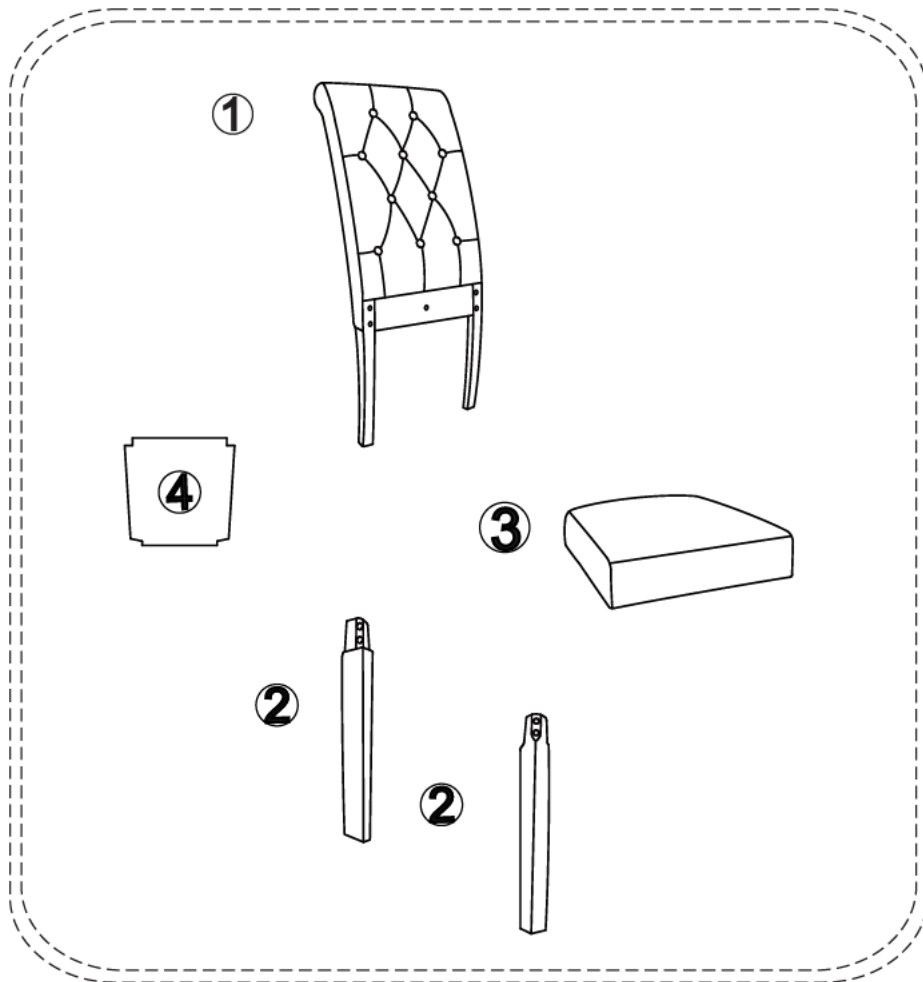
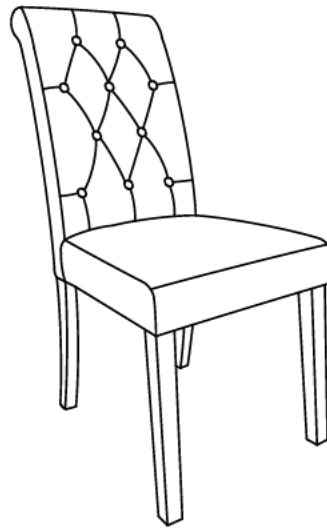


# ASSEMBLY INSTRUCTIONS

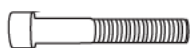


**Ax5PCS**



M6\*55mm

**Bx4PCS**



M6\*80mm



**Cx9PCS**



**Dx9PCS**

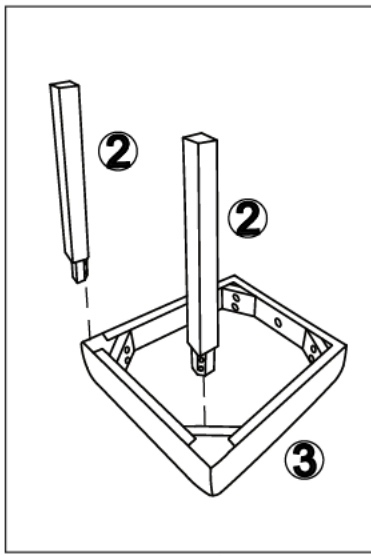


**Ex1PC**

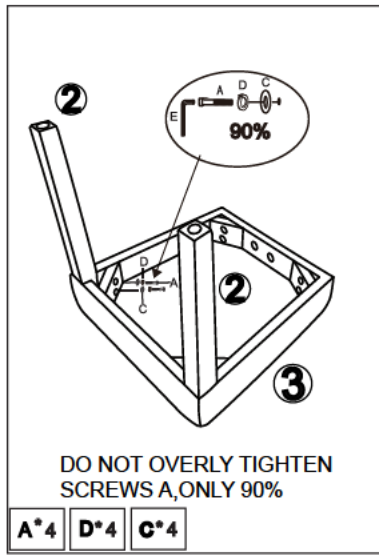


DO NOT USE  
EL DRILL

1.

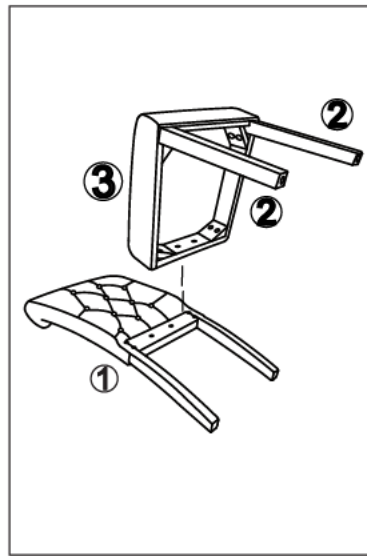


1

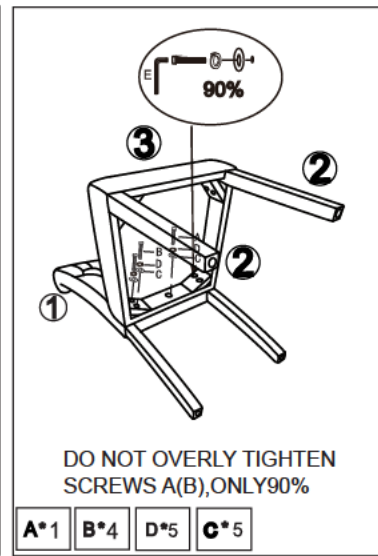


A\*4 D\*4 C\*4

2

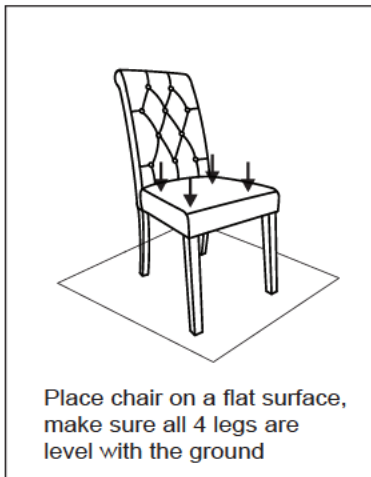


3

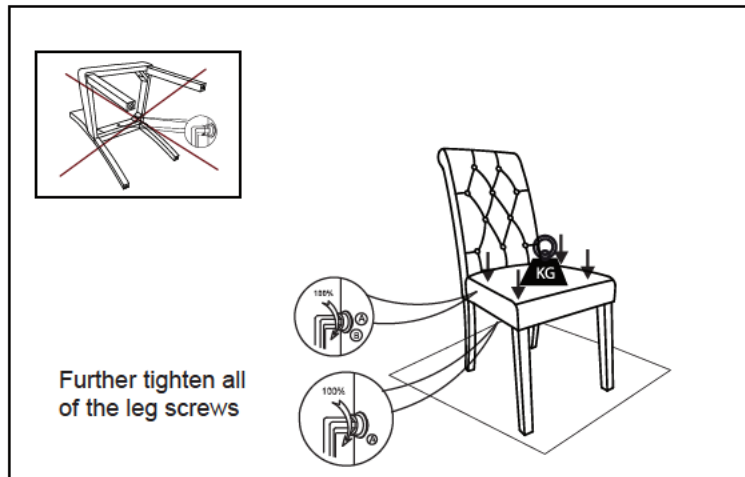


A\*1 B\*4 D\*5 C\*5

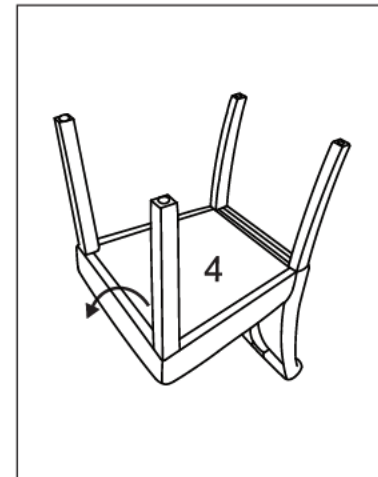
4



5



6



7

