

Assembly instructions for:

Cube organizer

4x2



WARNING

Children have died from furniture tip over. To reduce the risk of furniture tipover:

- ALWAYS install tip over restraint provided.
- NEVER put a TV on the product.
- NEVER allow children to stand, climb, or hang on drawers, doors or shelves
- NEVER open more than one drawer at a time.
- Place heaviest items in the lowest drawers.



VERIFIED

**Product Stability
(50 lbs.)**



| WE CARE ABOUT YOUR SAFETY PLEASE READ

IMPORTANT SAFETY NOTICE READ CAREFULLY BEFORE BEGINNING ASSEMBLY

- This unit contains small parts that present a choking hazard for children under 3 years of age. These parts are for adult assembly only and should be permanently affixed to the furniture. Any unused parts should be discarded properly.
- To make the assembly process easier, ask a friend to help you.
2 people required
- Always use proper tools.
- Carefully review the parts and hardware list.
- It is recommended that you assemble the unit on a protected surface or carpeted floor to avoid scratches.
- Follow assembly steps in order. DO NOT SKIP ANY STEPS.
- Periodically check to ensure that all connectors (bolts,screws, etc.) are tight.
- Keep the instructions for future reference.

| WE WANT YOUR FURNITURE TO LAST PLEASE READ

CARE AND CLEANING INSTRUCTIONS

Congratulations on the purchase of your new product. Proper care and cleaning will extend the life of your purchase. To ensure your product maintains its finish and quality:

- Use a soft, clean cloth that will not scratch the surface when dusting
- Clean only with a slightly damp cloth
- Do not use chemical based products or solvents
- Liquid spills should be removed immediately
- Direct sunlight may fade or alter color of wood finishes

| WE'RE HERE IF YOU NEED IT CONTACT US

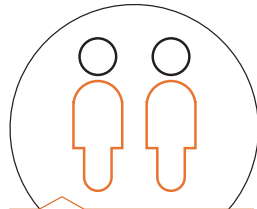
CUSTOMER SERVICE

To order replacement parts, or if you have any difficulty assembling this unit refer to the front page of this manual for model and serial # information along with finding the needed part number(s) from the parts list. Then call our customer service line. Please do not return and parts to the store.

HEADS UP

20
Minutes

TIME



Pro Tip: Choose wisely.
Your sanity depends on it.

PEOPLE NEEDED



EFFORT SCALE
(you've got this)



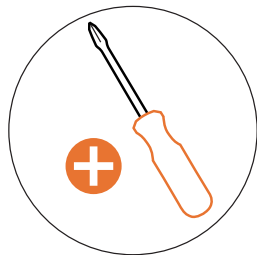
ANTI-TIP KIT



BUST OUT

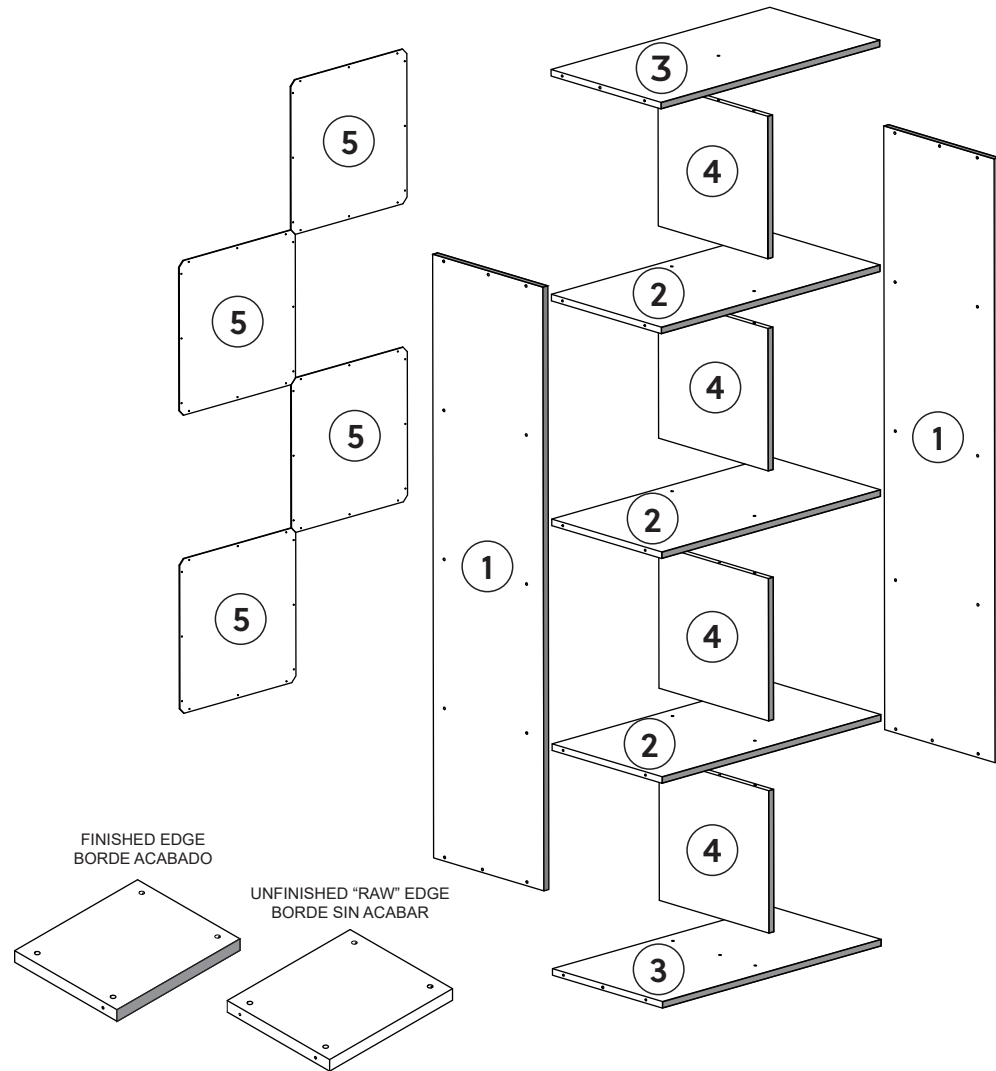


REQUIRED TOOL



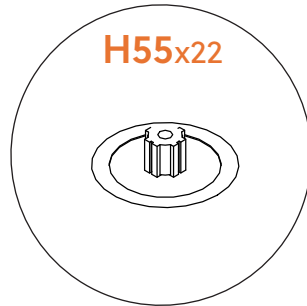
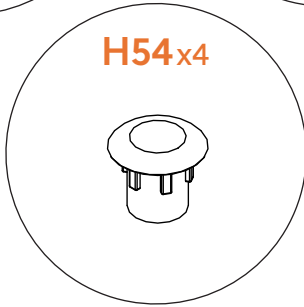
REQUIRED TOOL

- ① SIDES
- ② INTERIOR SHELVES
- ③ TOP & BOTTOM
- ④ SHELF DIVIDERS
- ⑤ SHELF BACKING



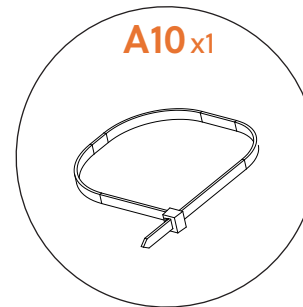
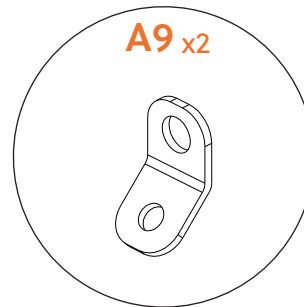
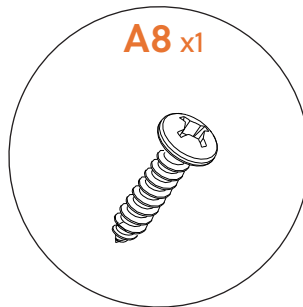
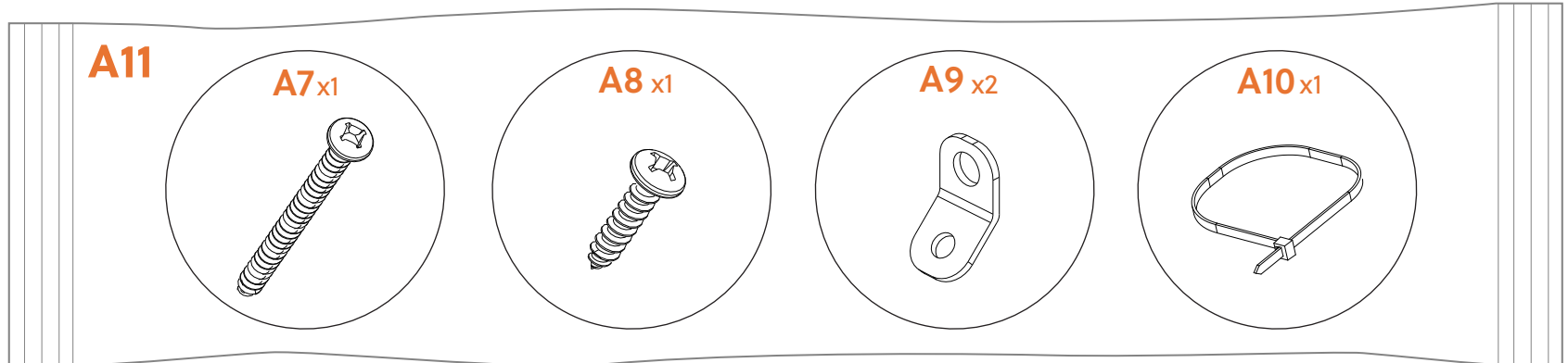
COMPONENTS

HARDWARE

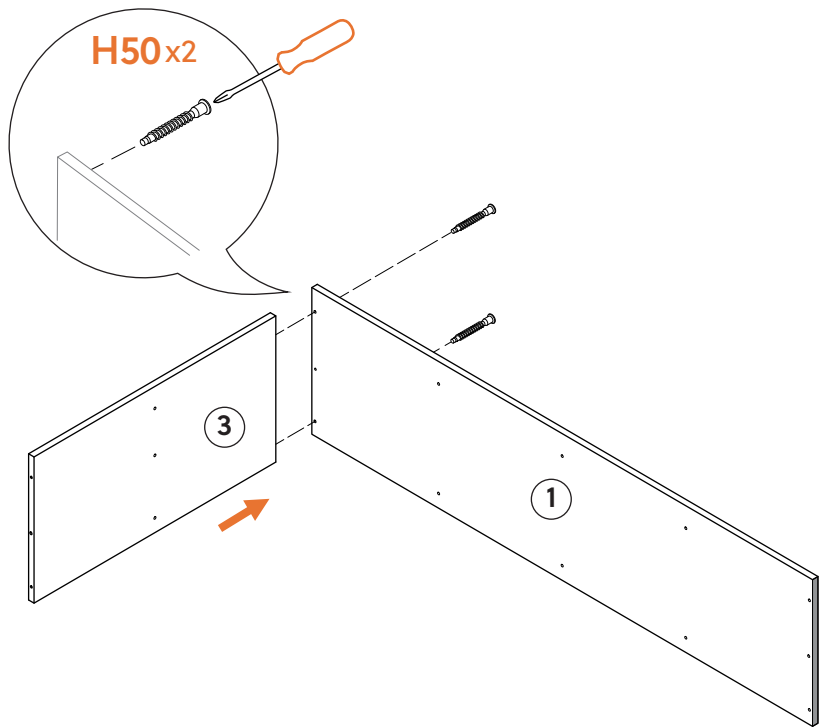


Pro Tip: Tear this page out to reference hardware throughout the instructions.

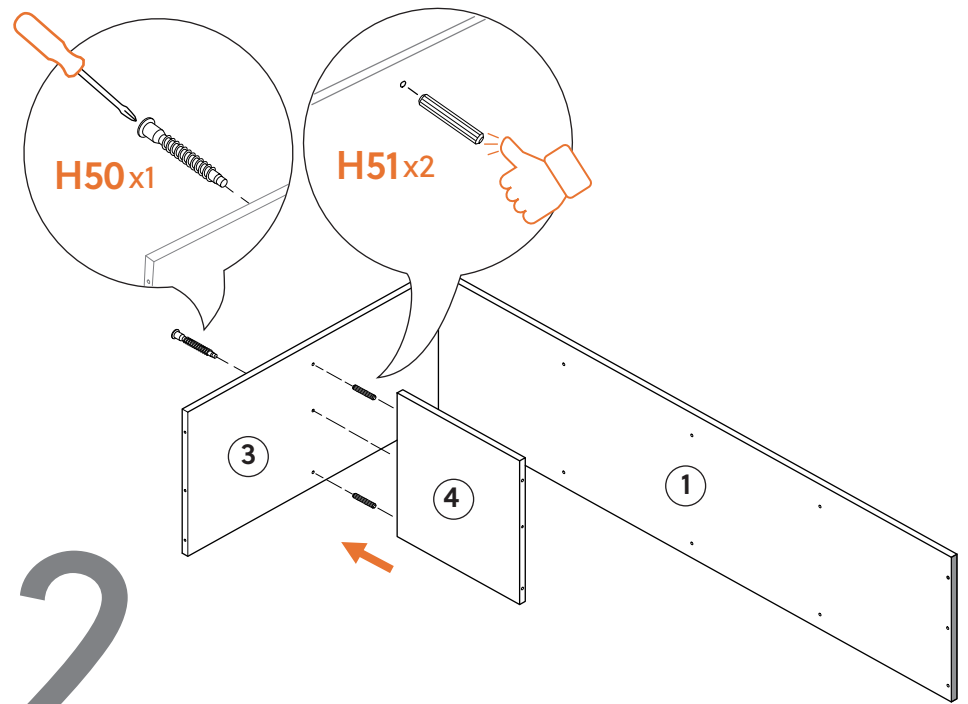
A11 Tip Kit Pack



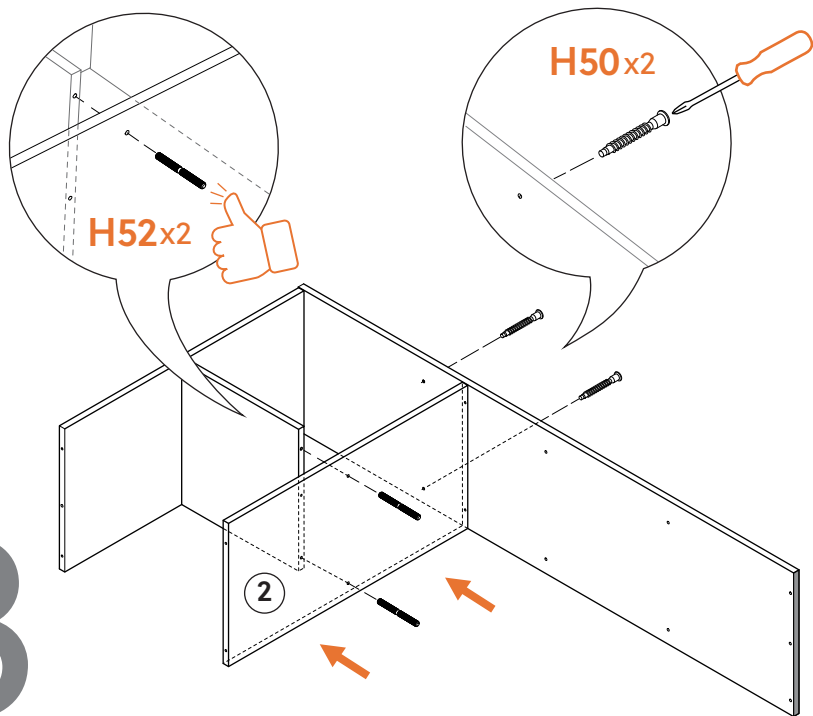
1



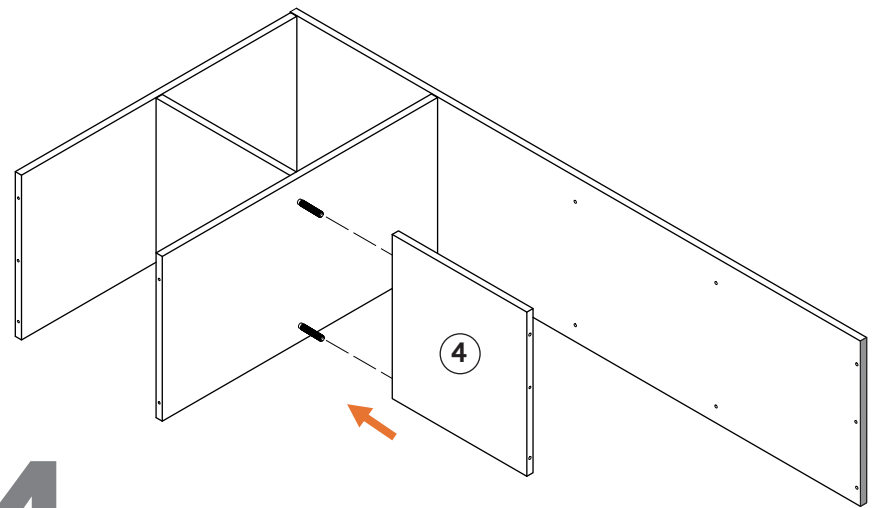
2



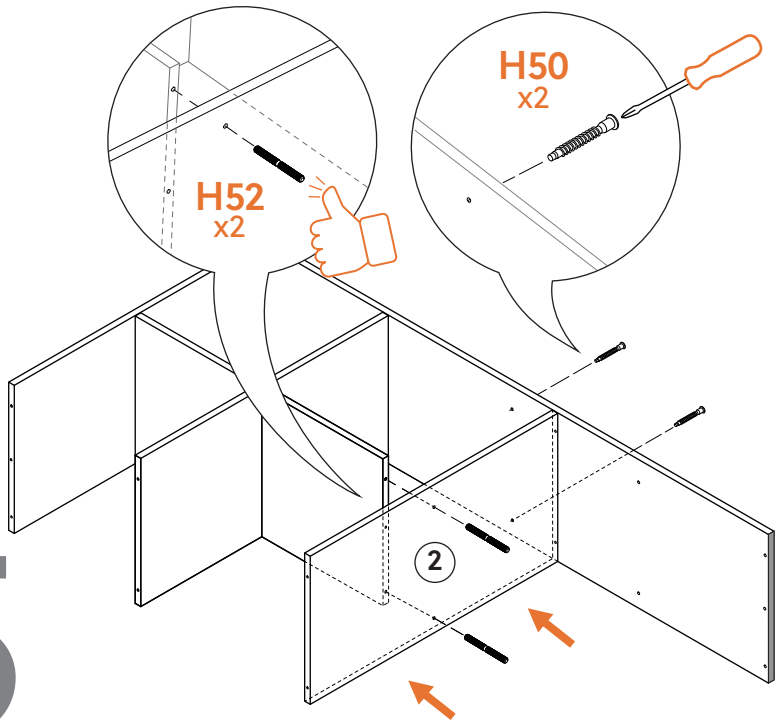
3



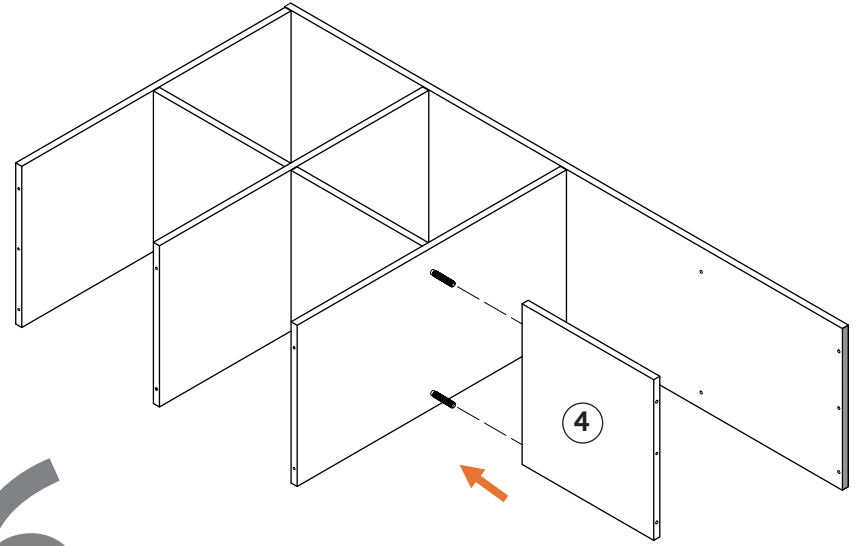
4



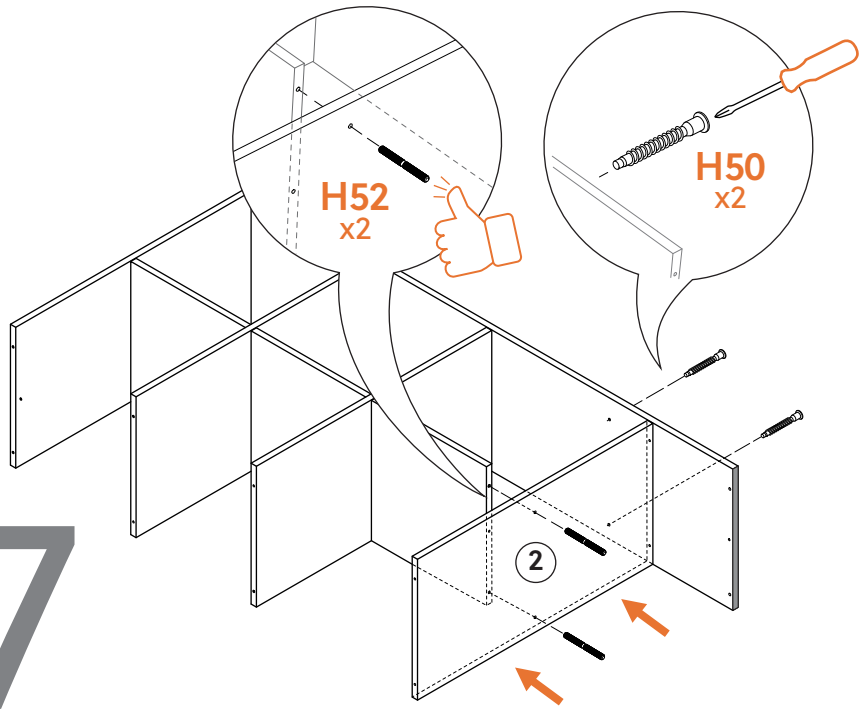
5



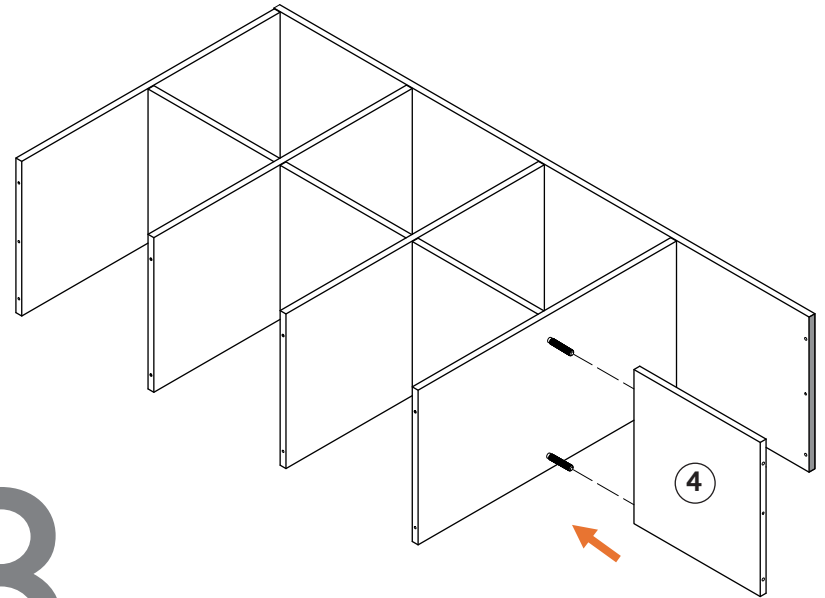
6

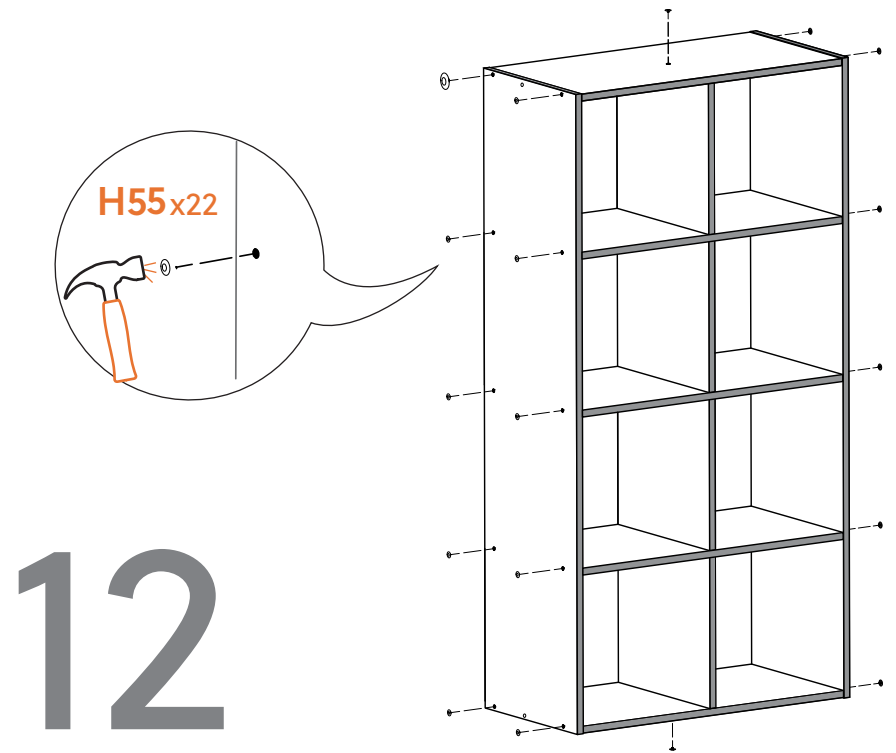
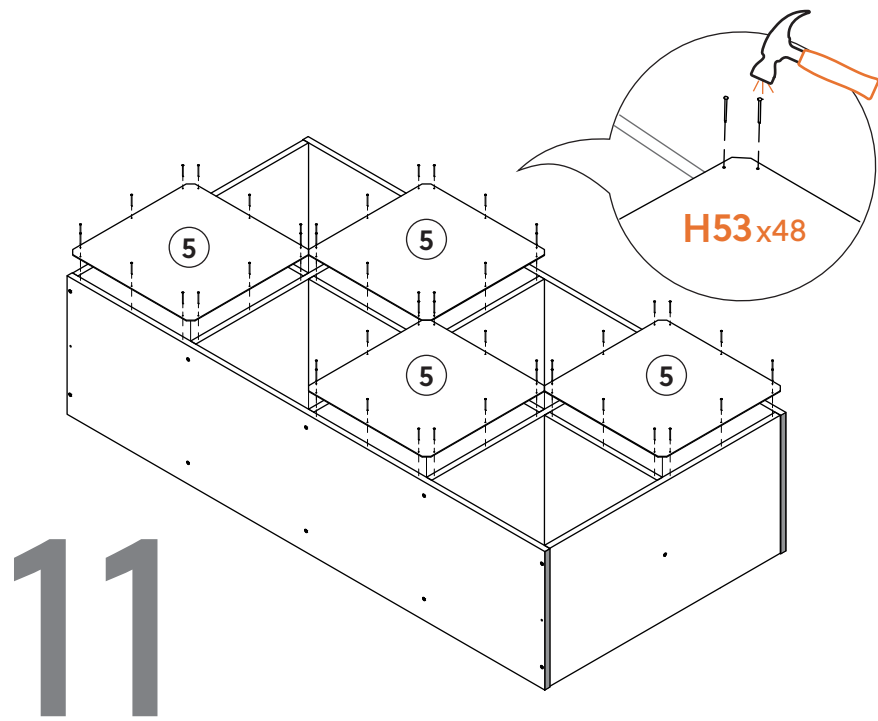
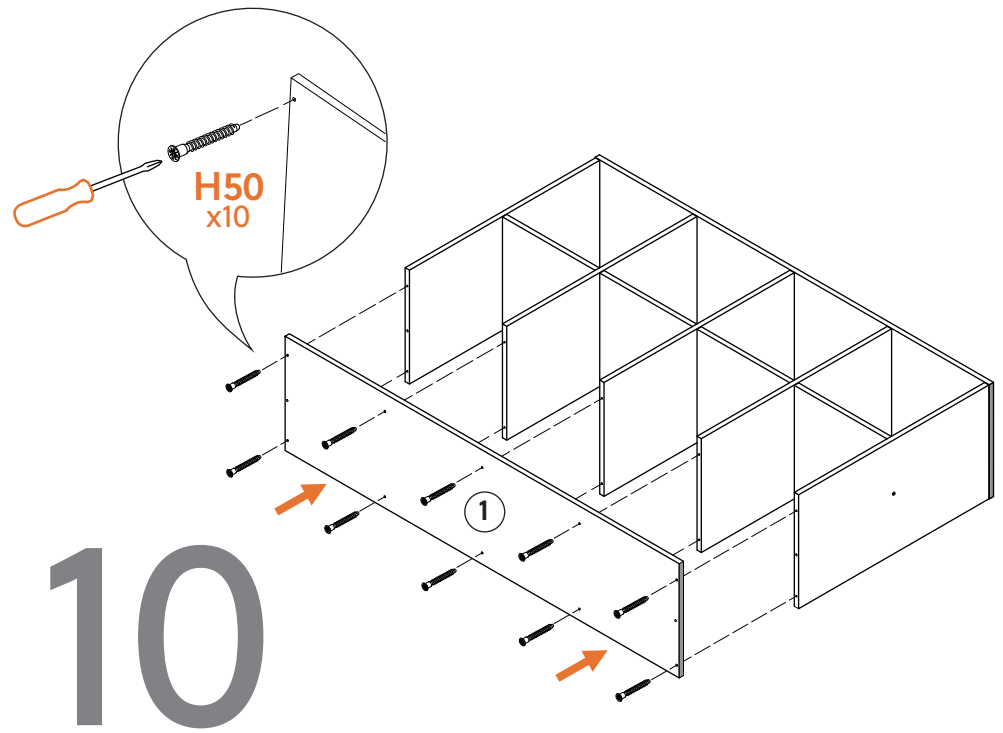
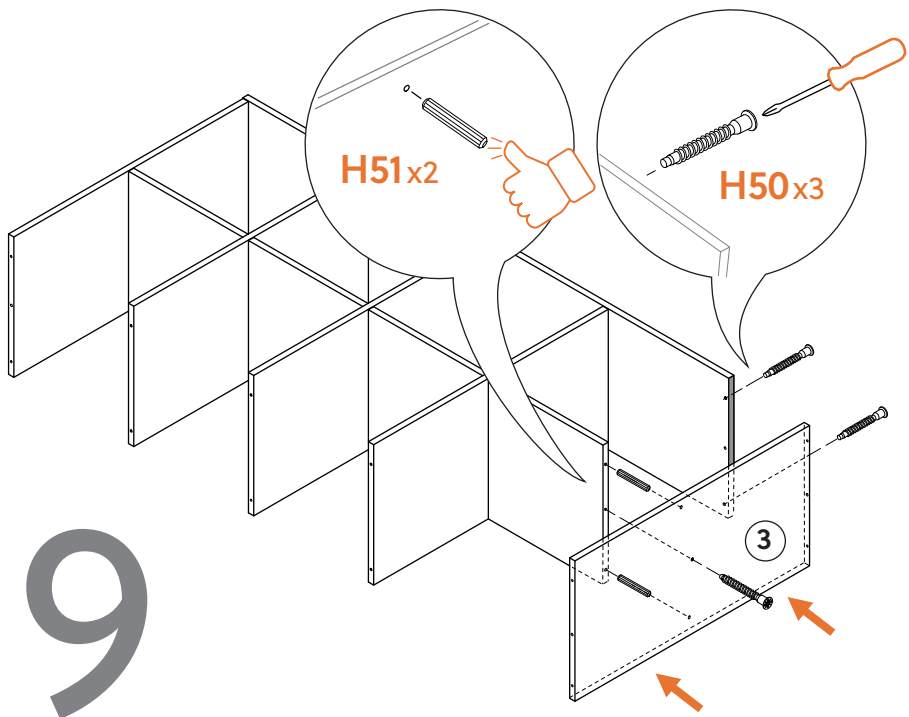


7

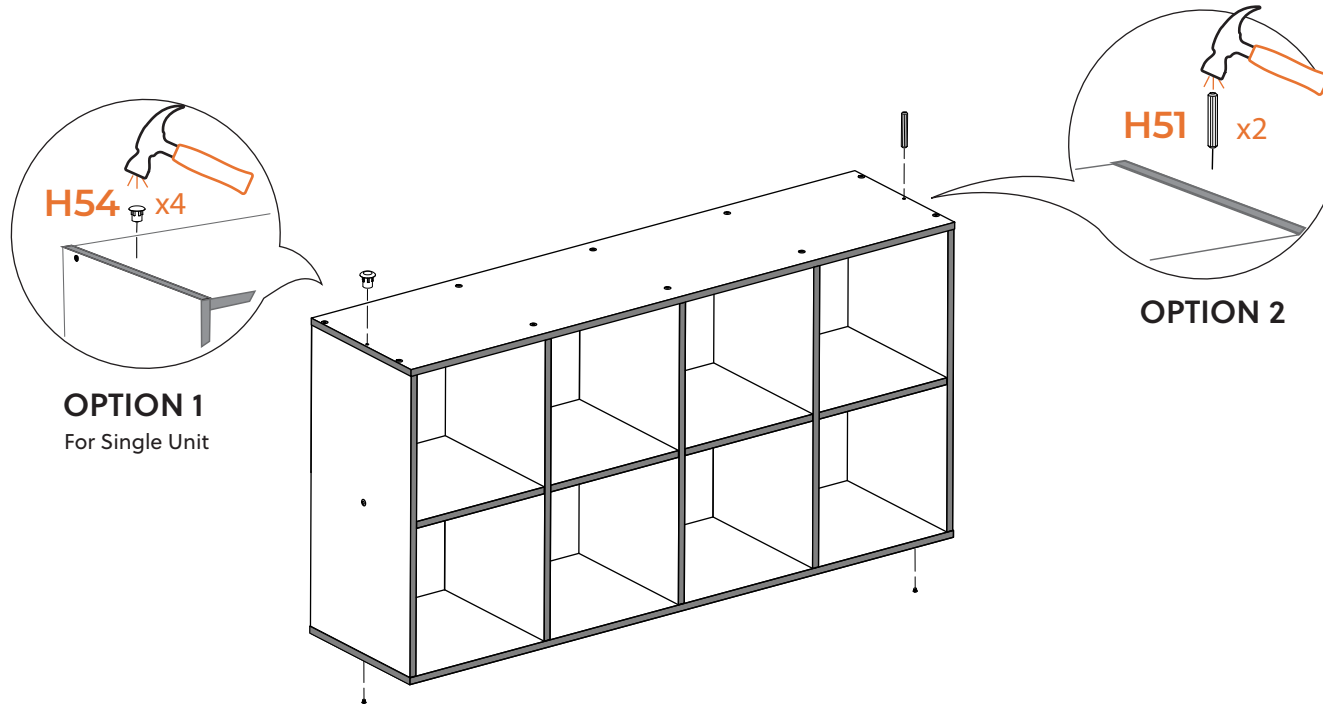


8





13



ANTI-TIP ANCHORING INSTALLATION



ANTI-TIP KIT



REQUIRED TOOL

Locate stud in wall. Attach bracket (A9) to wall using the long screw (A7). Attach second bracket (A9) to the underside of the top (as shown below) with the small screw (A8). Insert zip tie (A10) through open holes of each bracket and slide into its end. Pull tight.

