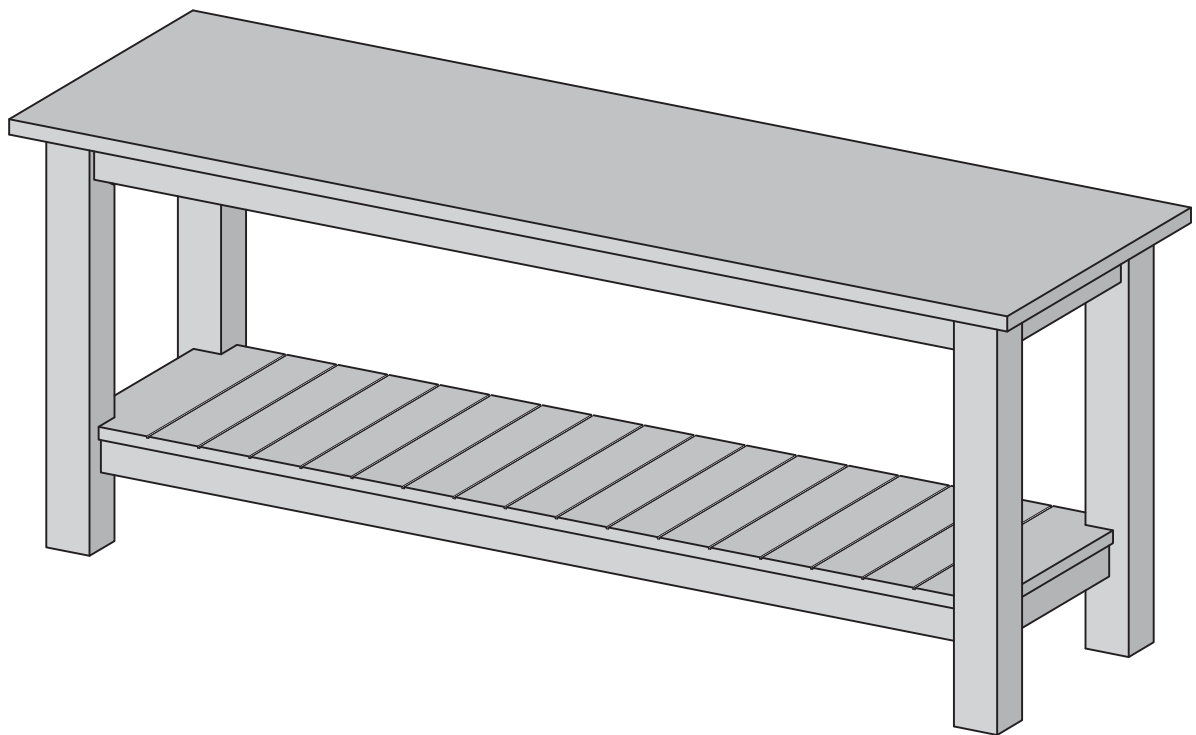
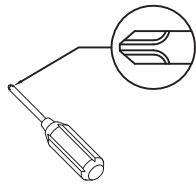


Assembly Instructions

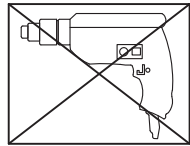


General Assembly Guidelines

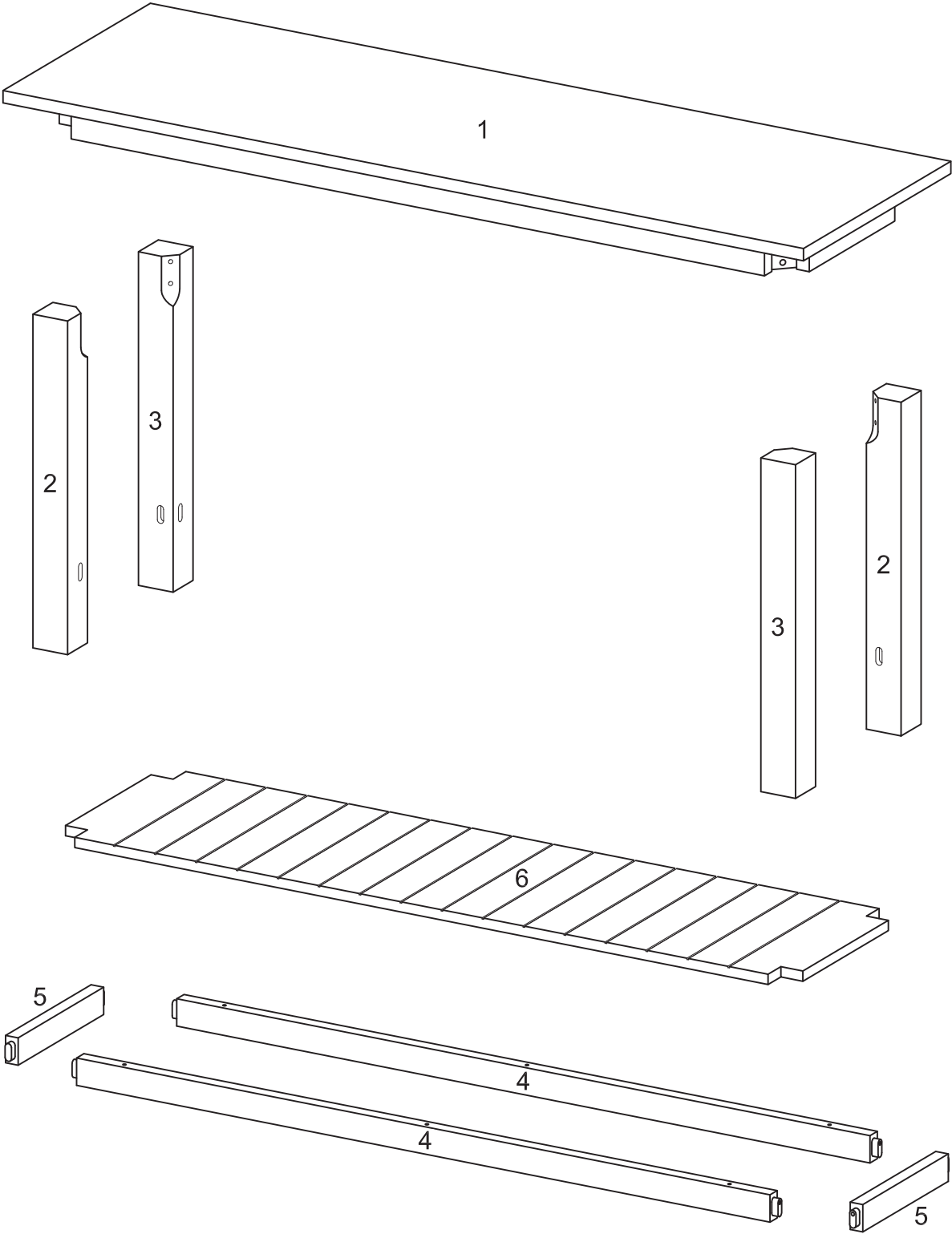
- I. Ensure that all parts and hardware are available before beginning assembly.
- II. Follow each step carefully to ensure the proper assembly of this product.
- III. Two people are recommended for ease in the assembly of this product.
- IV. The two main types of hardware used to assemble this product are : screws and bolts.
- V. A Phillips head screwdriver is required for the assembly of this product .



- VI. Power tools should not be used to assemble this product .

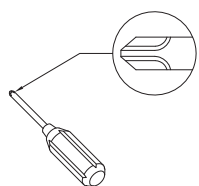


Parts List



Hardware List

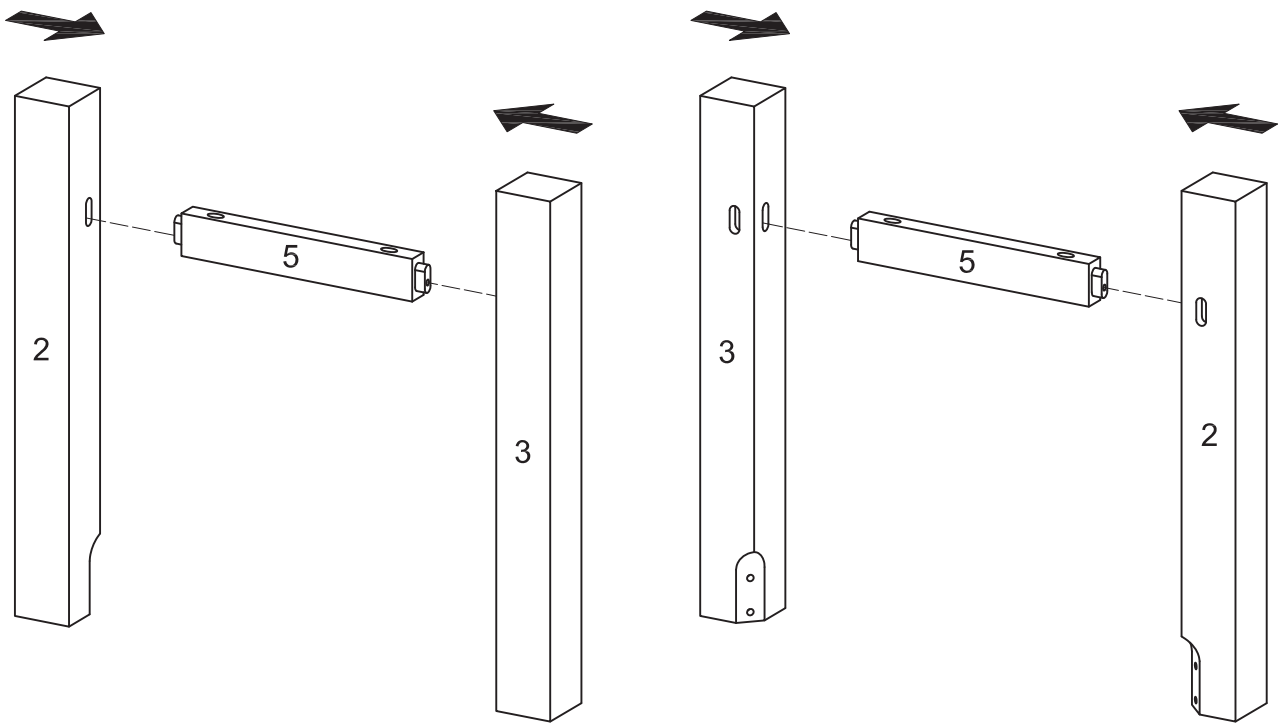
A		M6*60mm	Bolt	8 pcs
B		M4*32mm	Screw	14 pcs
C		Ø1/4"	Washer	8 pcs
D		Ø1/4"	Spring washer	8 pcs
E		M4mm	Wrench	1 pc



Philips head screwdriver required for assembly
(not included)

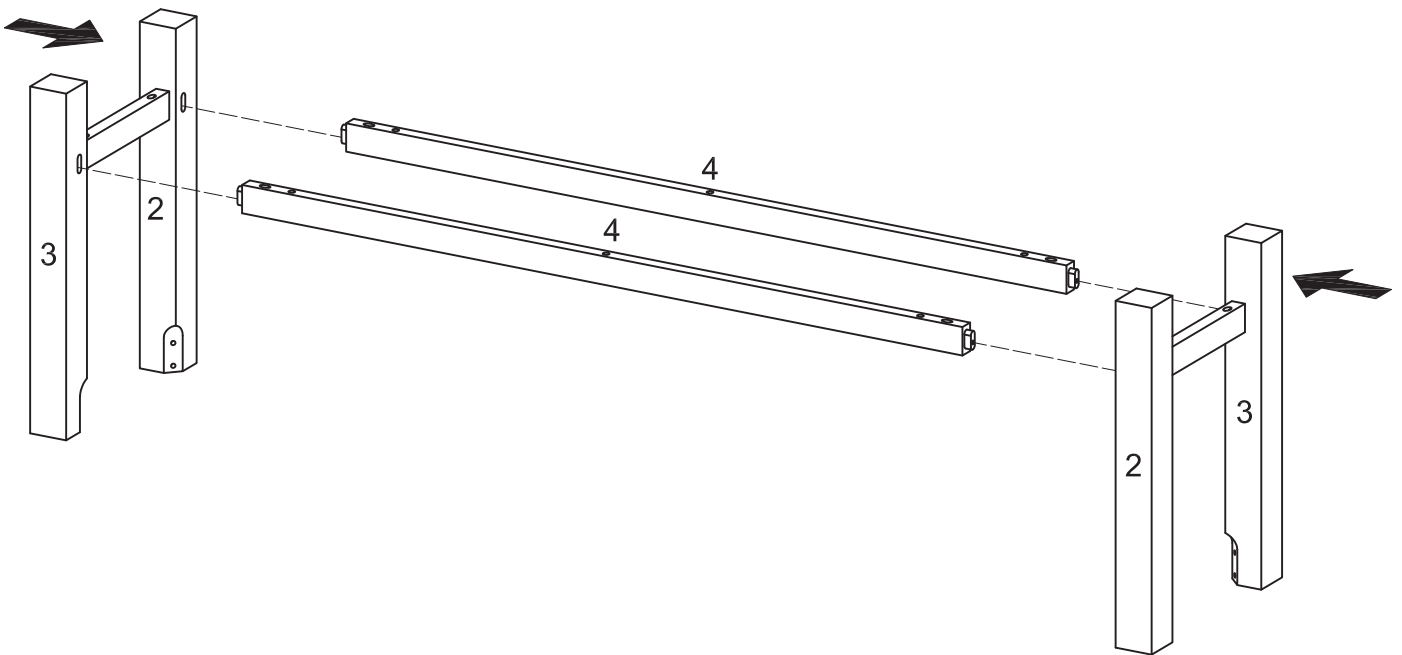
*The hardware quantities listed above are required for proper assembly.
Some extra hardware may also have been included.*

Step 1



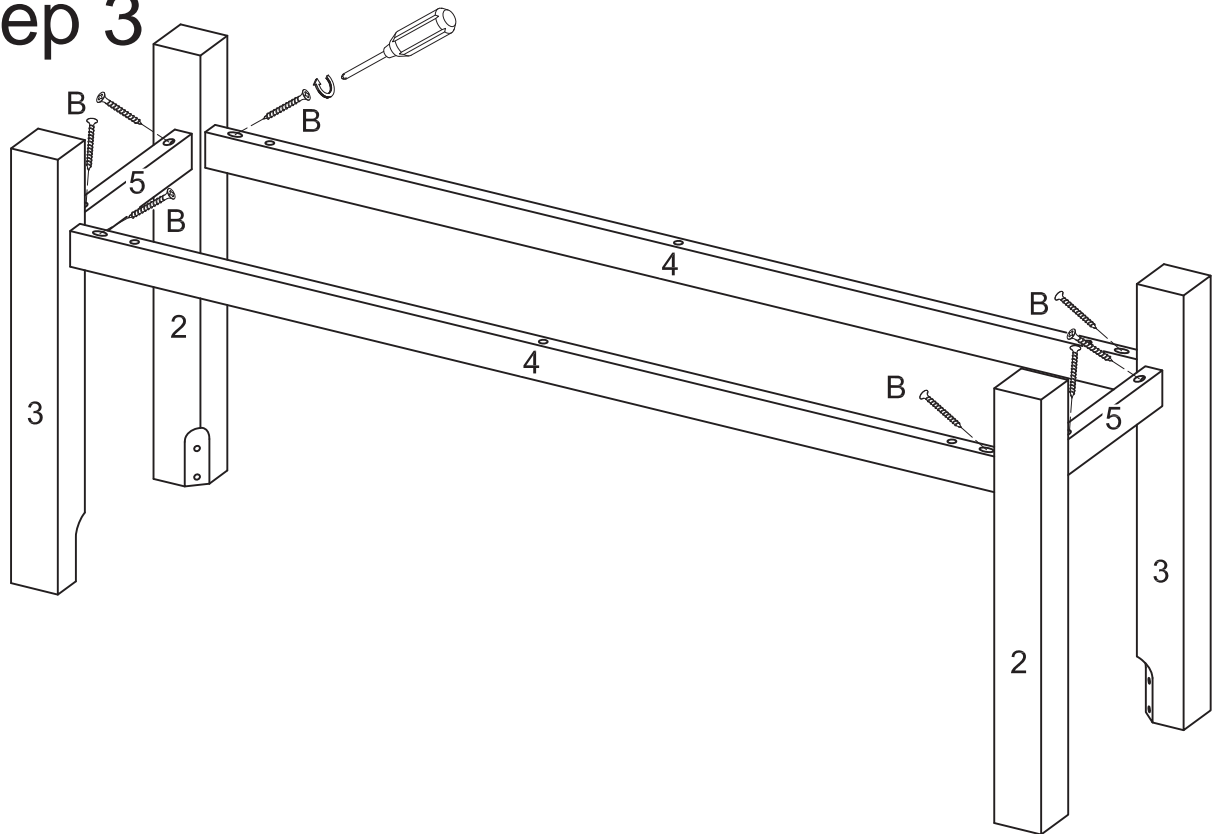
Insert parts (5) into legs (2,3).

Step 2



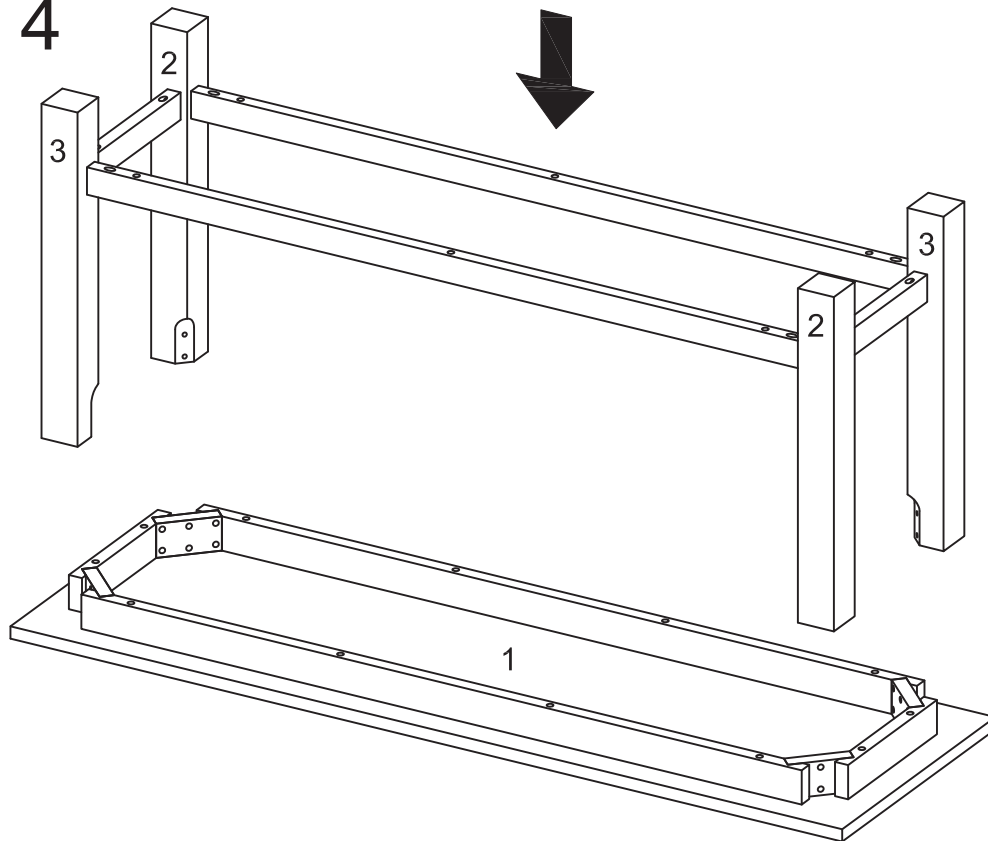
Insert parts (4) into legs (2,3).

Step 3



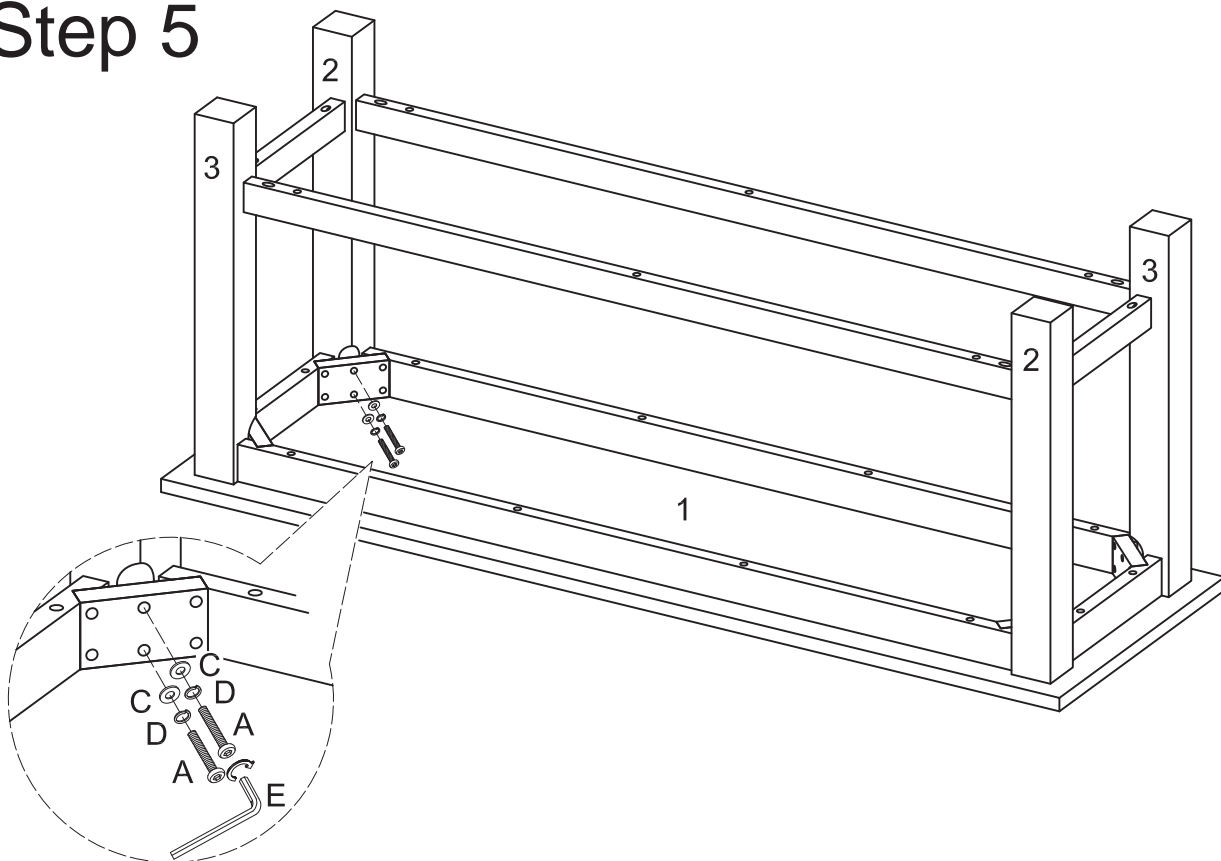
Secure parts (4,5) to legs (2,3) with screw (B), but don't tighten completely until Step 5.

Step 4



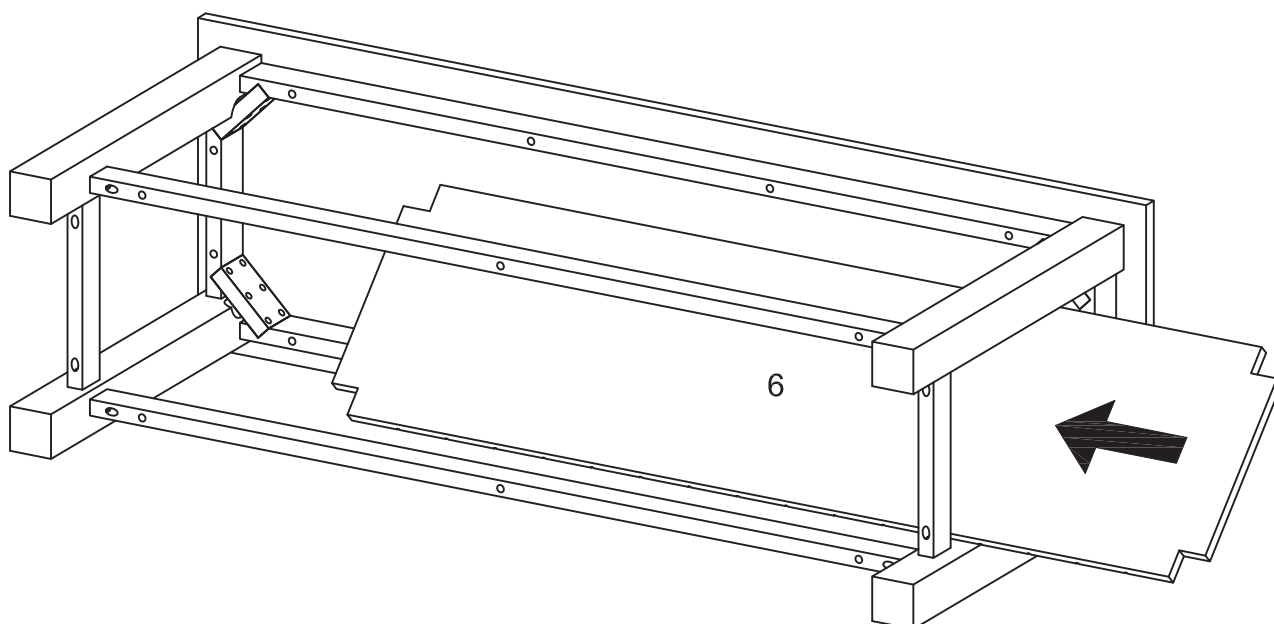
Insert legs (2,3) into top panel (1).

Step 5



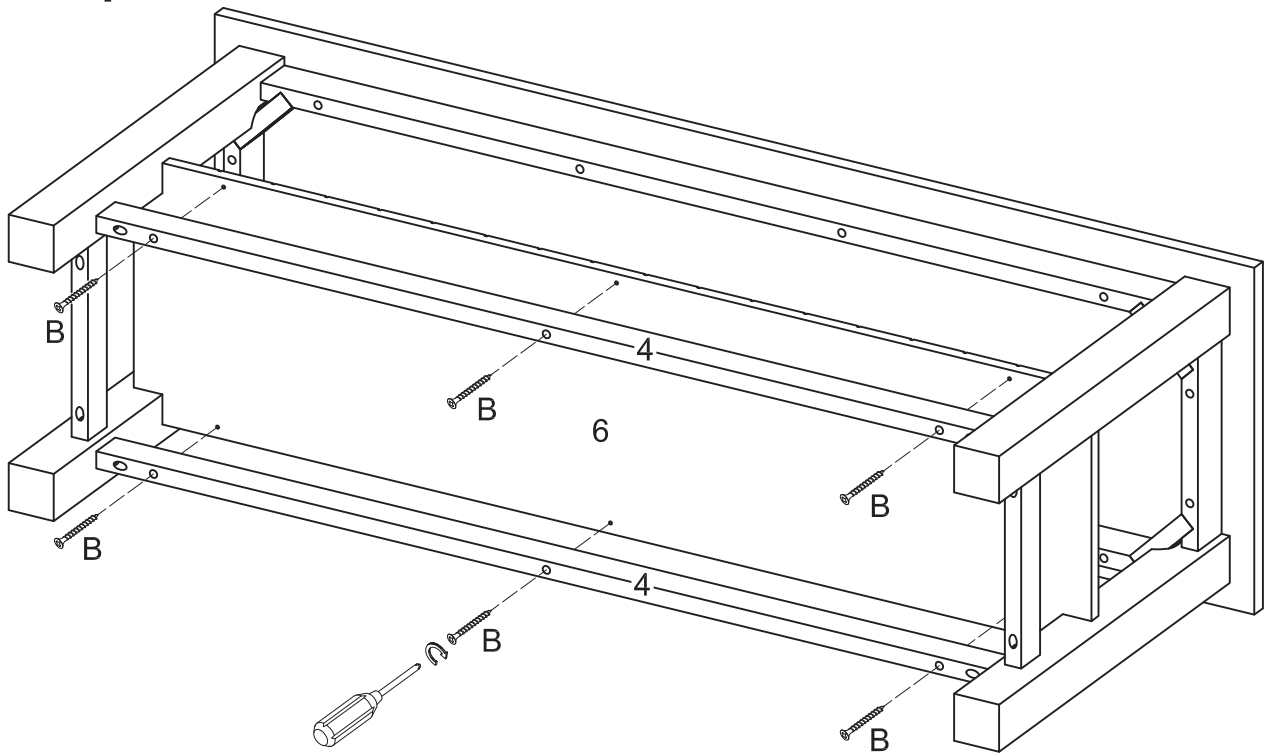
Use wrench (E) to secure top panel (1) to legs (2,3) with bolt (A), spring washer (D) and washer (C). Tighten all bolts completely in this step.

Step 6



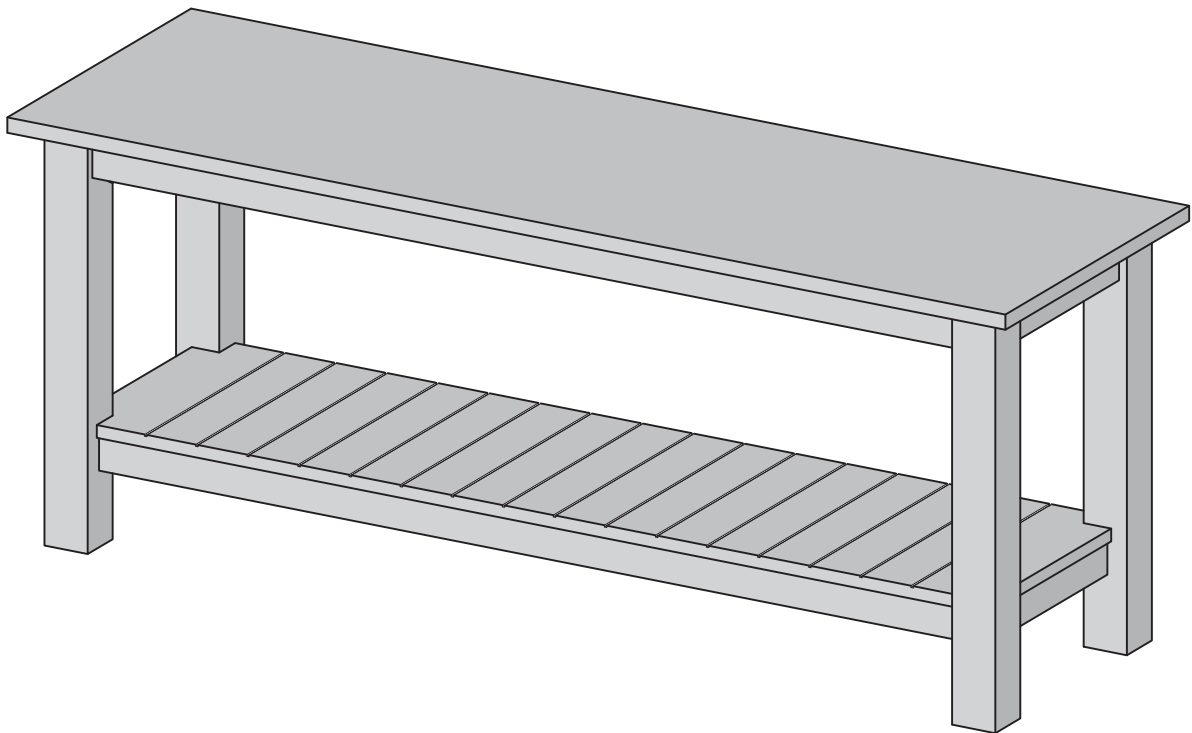
Place shelf (6) as per diagram to set it on top of the base frame.

Step 7



Secure parts (4) to shelf (6) with screw (B).

Step 8



Final Assembly