

MANUAL INSTRUCTIONS

1 BOX

/BEDIENUNGSANLEITUNG

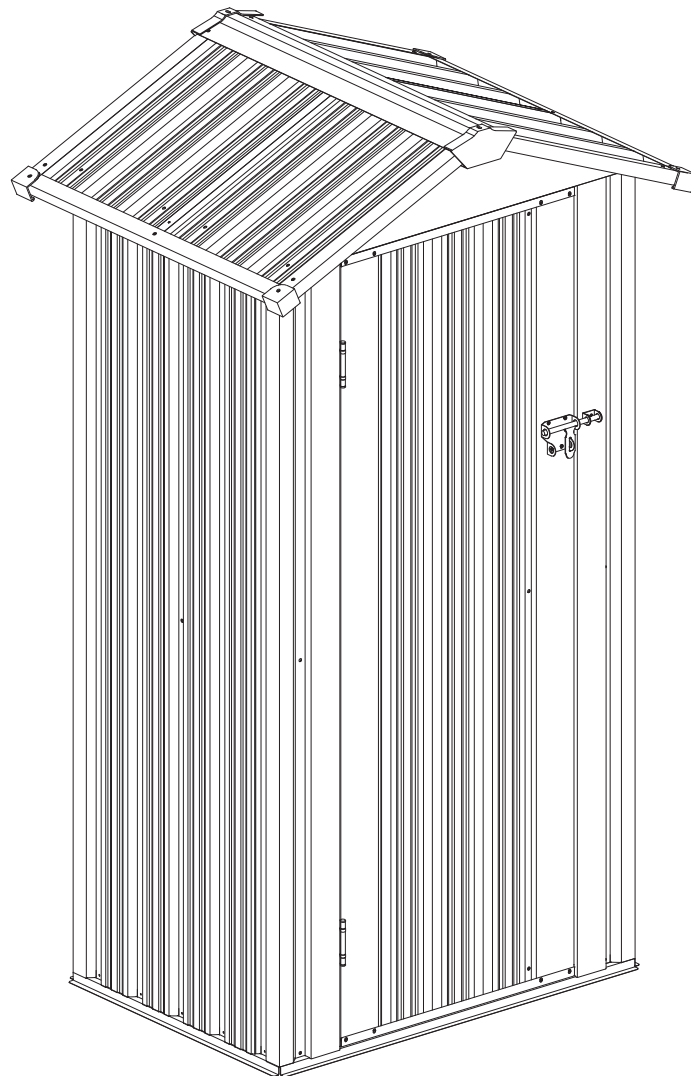
/MANUEL D'INSTRUCTIONS/MANUALE D'USO/MANUAL DE INSTRUCCIONES

/GEBRUIKSAANWIJZING/INSTRUKCJA OBSŁUGI

COURTYARD STORAGE&HOUSING

Steel Cabinet with Lockable Door

3 * 2FT



CUSTOMER SUPPORT/Du unterstützt mich/Soutien à la clientèle/Assistenza clienti/Atención al cliente/klantenservice/OBSŁUGA KLIENTA

Dear customer

Thank you for your purchase.

This product is a non-permanent outdoor structure designed and manufactured for personal use rather than commercial use.

Please confirm whether the installation is permitted in your states firstly.

1. When you receive the product, please make sure that all the boxes have arrived, and all the parts are intact.
2. Please browse the entire installation manual before assembling, retain this instruction manual for future reference.
3. If any problem occurs unsatisfactorily as follows:
 - Lack of boxes, or some boxes are not arrived.
 - The outer box is damaged.
 - The product is damaged / bent / cracked while you open the box.
 - The parts / accessories / assembly tools are missing.
 - The product is hard to assemble.
 - The instructions are not clear, or hoping for assistance with installation.
 - The product has functional problems.
 - The product did not meet your expectations.
 - Other aspects that you are not satisfied with.

Please feel free to contact us for help firstly. If there is any damage, please send us clear photos. We will check and do our best to provide the best solution for you. The missing or damaged parts will be delivered to you within 5 days.

ATTENTION/(durchsage) achtung/ATTENTION/attenzione/La atención/noot/UWAGA

PREPARATION :

The STORAGE needs to be installed in cooperation with **two people**.

Estimated Assembly Time: **1 Hour**.

Site preparation suggestion: Level the ground surface, construct a wooden or concrete base as a foundation.

- The following installation tools will be used.



Adjustable Ladder



Tape Measure



Screw Driver



Pistol Drill



gradienter



Hammer

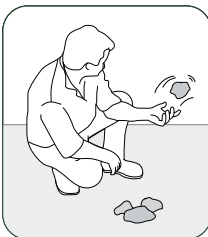


gloves



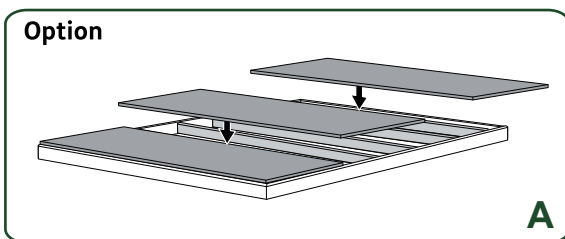
2 people

- Level the ground surface



- Recommendation: Construct a wooden or concrete base as a foundation

- Minimum foundation size:



ATTENTION/(durchsage) achtung/**ATTENTION**/attenzione/La atención/noot/**UWAGA**

CAUTION:

1. Tighten each bolt firmly and properly.
2. Some parts may contain sharp edges. Wear protective gloves in the box as necessary.
3. Children under the age of 16 should not be engaged in the assembly, removal or disassembly of the product.
4. It is strongly recommended to hire a professional installation team.

WARNING:

1. Children under the age of 10 should be supervised by a competent adult while using this furniture.
2. Please keep children out of the assembly area during assembly.
3. Never use this product as a support. Do not shake, lean, or climb on the product any time.
4. Please take appropriate measures to deal with the bad weather. Heavy rain, wind and snow may be damage the Storage Shed. If necessary please dis-assemble and store for later use.
5. In snowy weather, please ensure that the thickness of snow on the roof does not exceed 4 inches, If it does, please remove the snow as soon as possible to ensure safety.
6. When the wind force reaches scale 8, please take corresponding measures to reinforce the Storage Shed to prevent it from being damaged by the wind, and be cautious of safety issues during strong wind conditions.
7. We offer a one-year warranty, excluding damages caused by improper installation, incorrect usage, failure to use the fixing accessories, unclean snow, or failure to take preventive measures.
8. It is necessary to use anchor bolts, expansion bolts and ropes to fix the STORAGE to the foundation for Long-term stability. You can fix the foundation firmly in the inner corners of the STORAGE Cabinet using expansion bolts(need to be purchased by yourself).

PARTS LIST/Eine liste Von teilen/Liste des pièces/ Elenco parti/Lista de piezas/Lijst van onderdelen/LISTA CZĘŚCI

1. Please ensure that all parts, accessories and installation tools are complete before starting the installation.
2. Due to the variety of accessories, some parts may be glued together, some parts may be trapped inside the larger ones, please check carefully.
3. In case you cannot find or lose some small parts or screws during installation, we have provided extra parts.
4. If any accessories are missing or damaged, please contact us immediately.

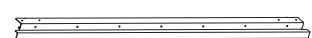
CARTON: A



1 X 1



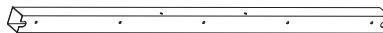
3 X 2



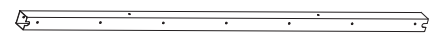
4 X 1



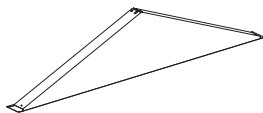
5 X 1



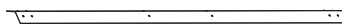
7 X 2



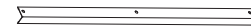
8 X 1



11 X 2



12 X 1



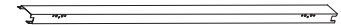
14 X 2



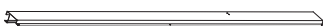
15 X 4



16 X 1



17L X 1



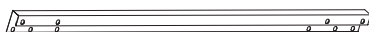
17R X 1



18 X 1



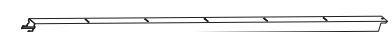
19 X 1



21 X 2



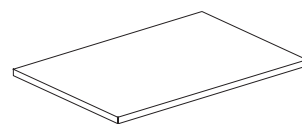
22 X 2



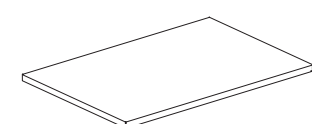
30 X 4



31 X 8



32 X 2



33 X 1

PARTS LIST/Eine liste Von teilen/Liste des pièces/ Elenco parti/Lista de piezas/Lijst van onderdelen/LISTA CZĘŚCI

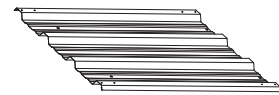
CARTON: A



Q3 X 2



Z3 X 4



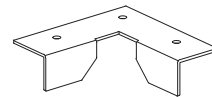
D3 X 4



M3 X 1



T6 X 4



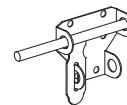
T7 X 4



T9 X 1



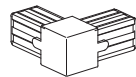
T10 X 1



T11 X 1



T12 X 1



S4 X 4



S9 X 32



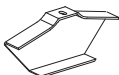
S10 X 4



S15 X 4



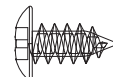
S20 X 42



S22 X 2



S23 X 4



M4x10mm

L1 X 114

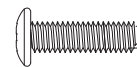


M4x8mm

L2 X 20

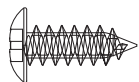


L3 X 19



M4x18mm

L6 X 1



M4x14mm

L8 X 14

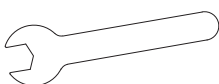


M5x40mm

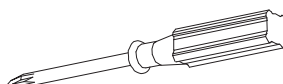
L9 X 4



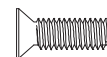
F1 X 2



F2 X 1



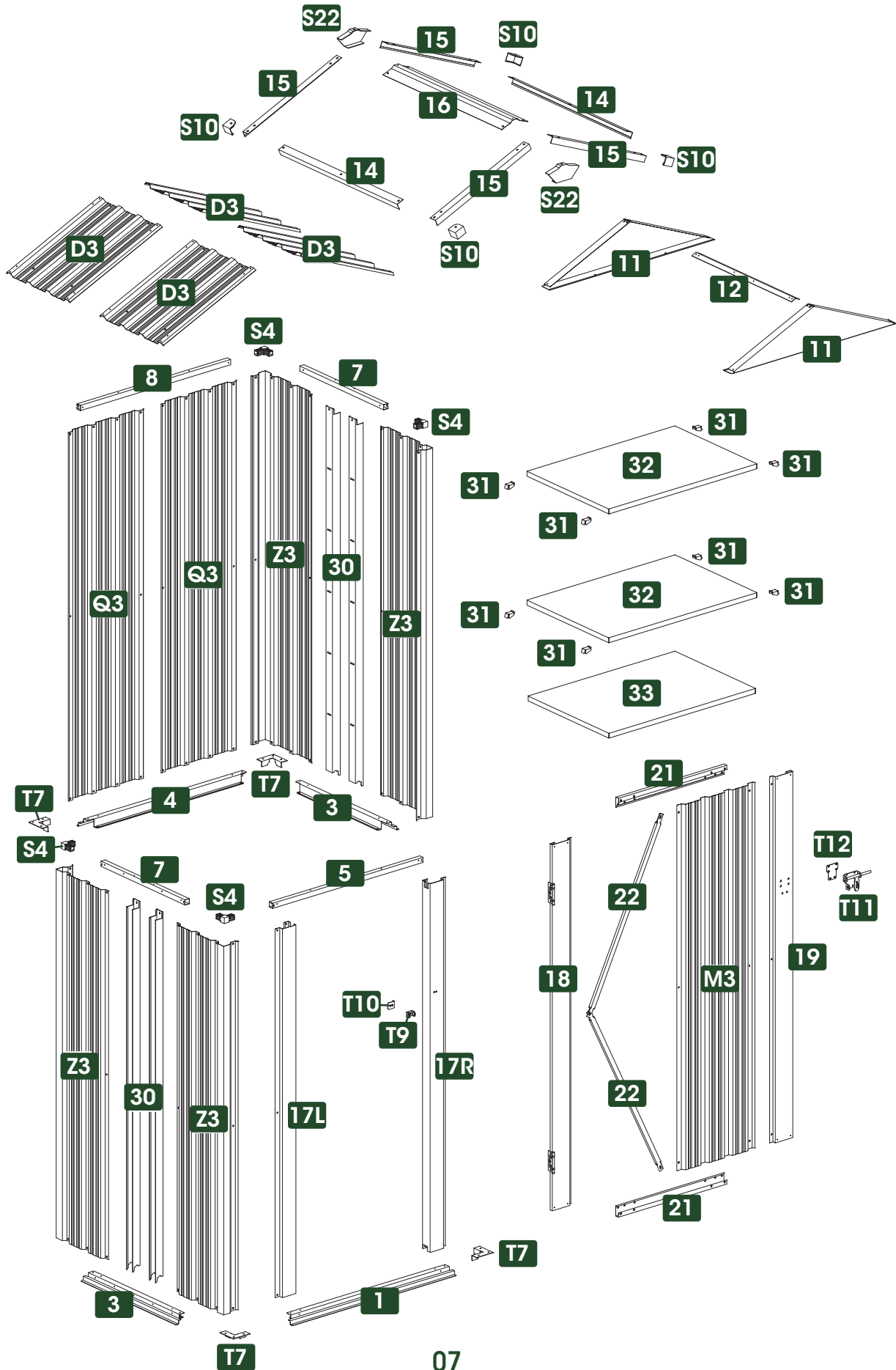
F6 X 1



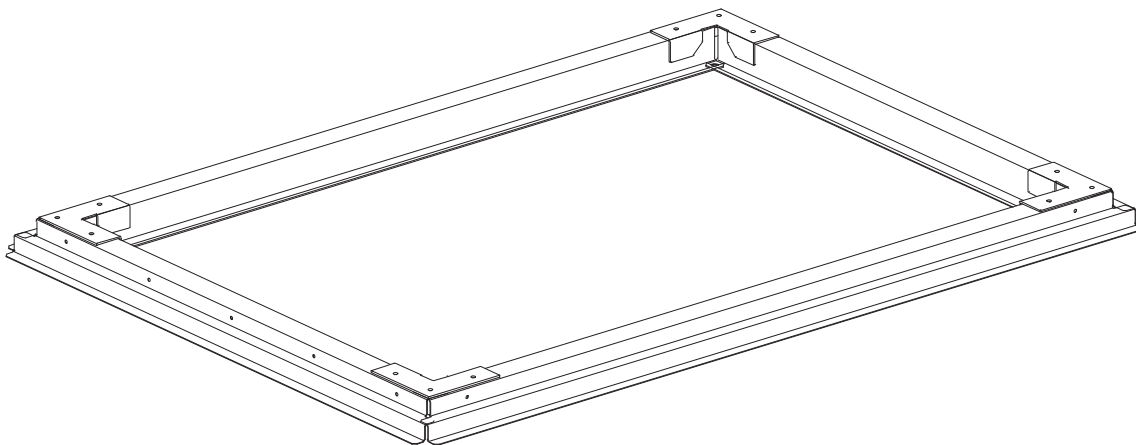
M4x8mm

L10 X 6

**EXPLOSION VIEW/Pläne und so weiter/Vue d'explosion/
Vista esplosione/Vista de la explosión/Explosie uitzicht/WIDOK
NA EKSPLOZJĘ**



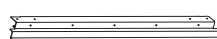
Phase 1 : Floor/Foundation/Grund und boden/Plancher/fondation/Pavimento/fondazione/Piso/fundación/totaal/Podłoga/Fundament



01
STEP



1 X 1



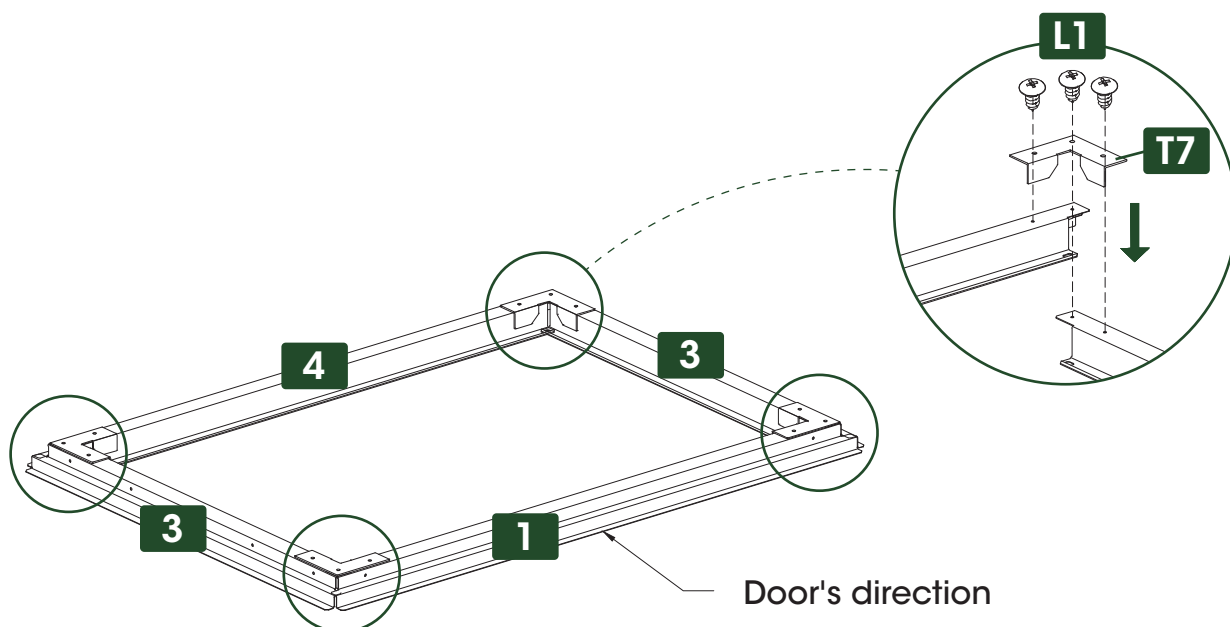
3 X 2



4 X 1



T7 X 4

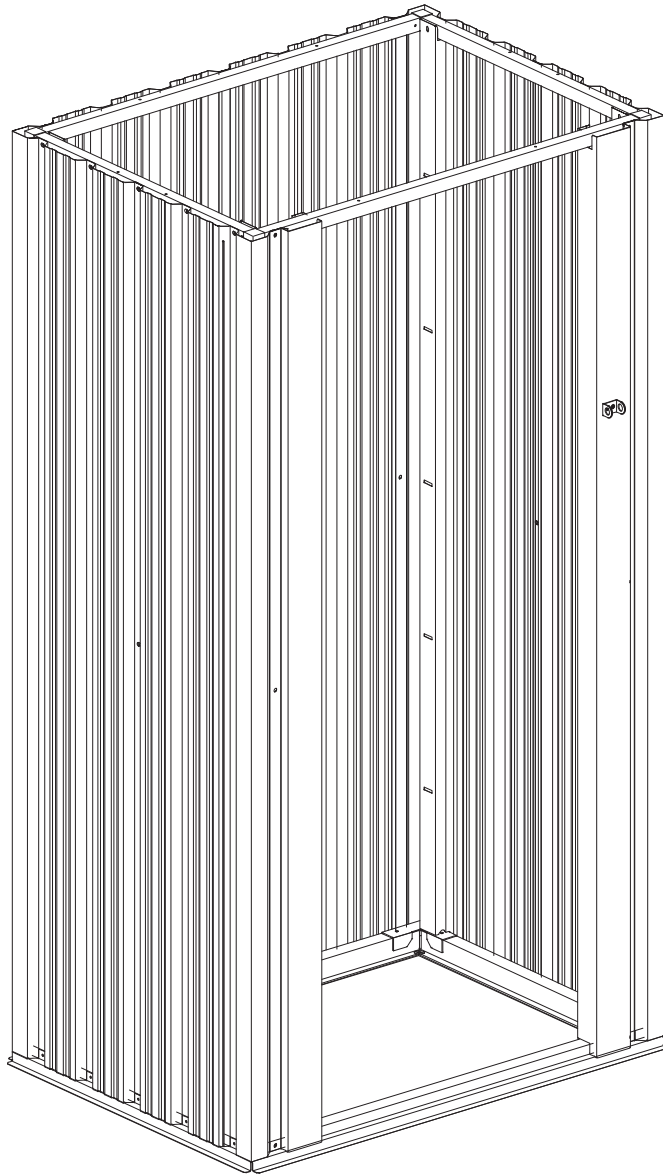


Check if the frames are aligned.
You can use a level gauge for this.



L1 X 12

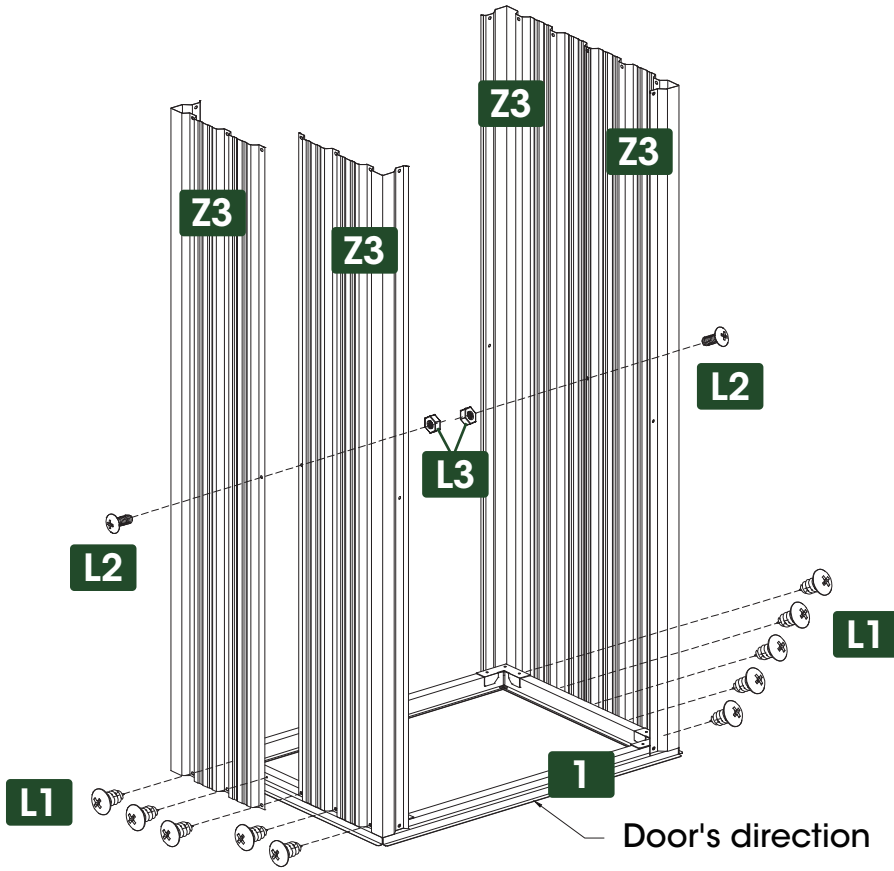
Phase 2: Wall/mauer/mur/muro/pared/De muur/Mur



02 STEP



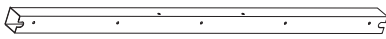
Z3 X 4



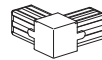
The metal tiles on the left and right sides are installed in the same way.

	L1 X 10
	L2 X 2
	L3 X 2

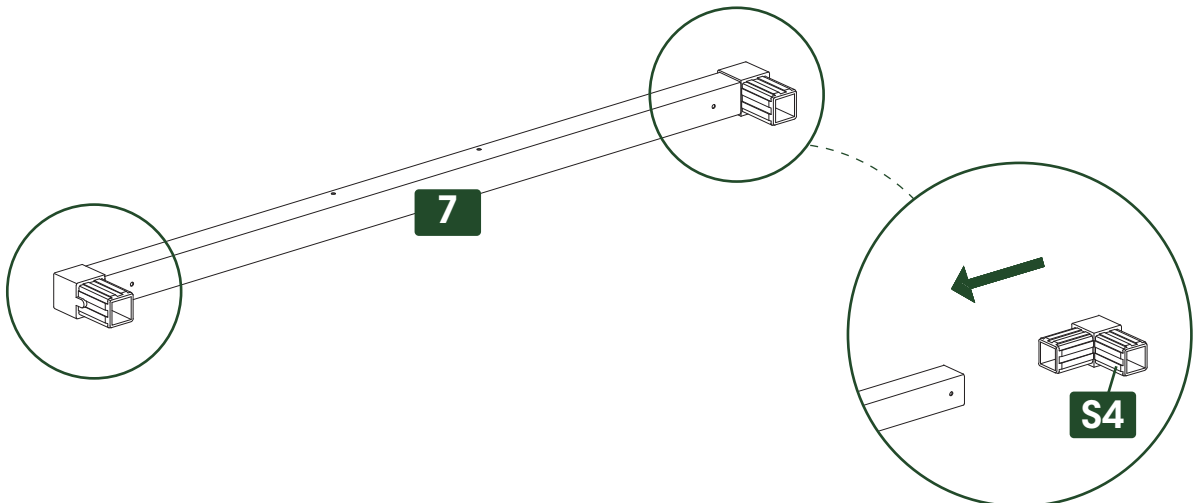
03 STEP X2



7 X 2

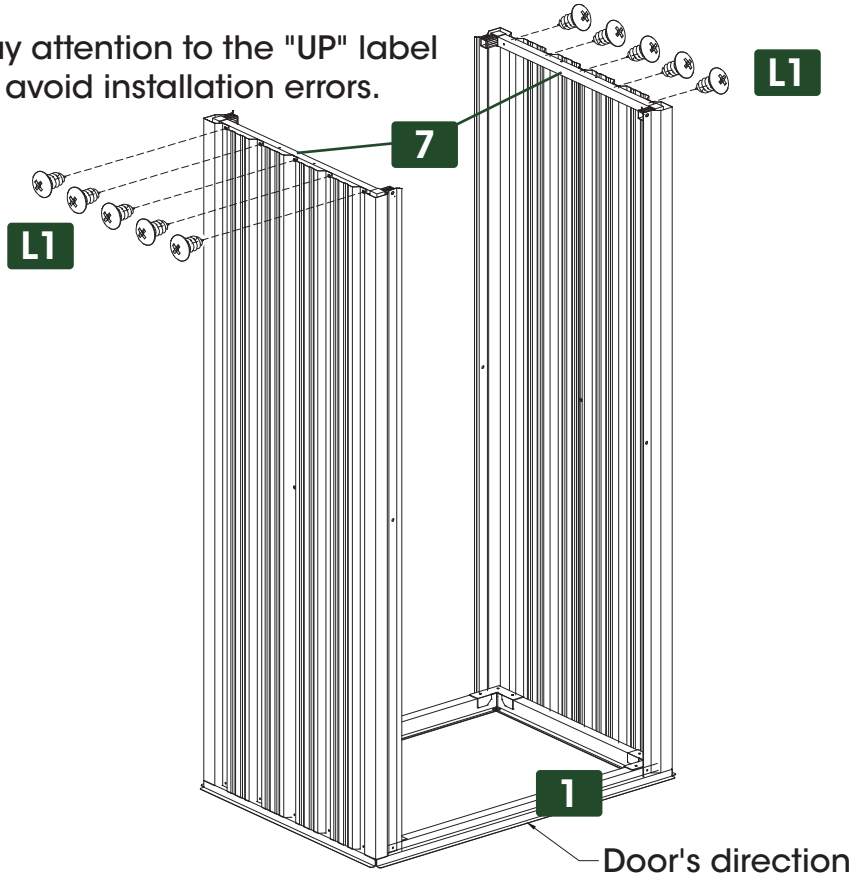


S4 X 4



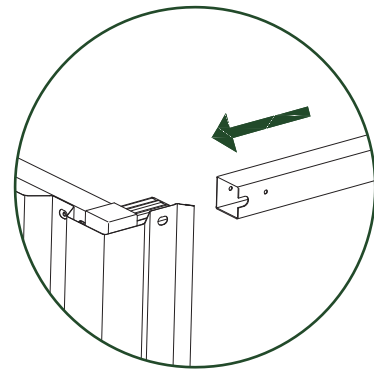
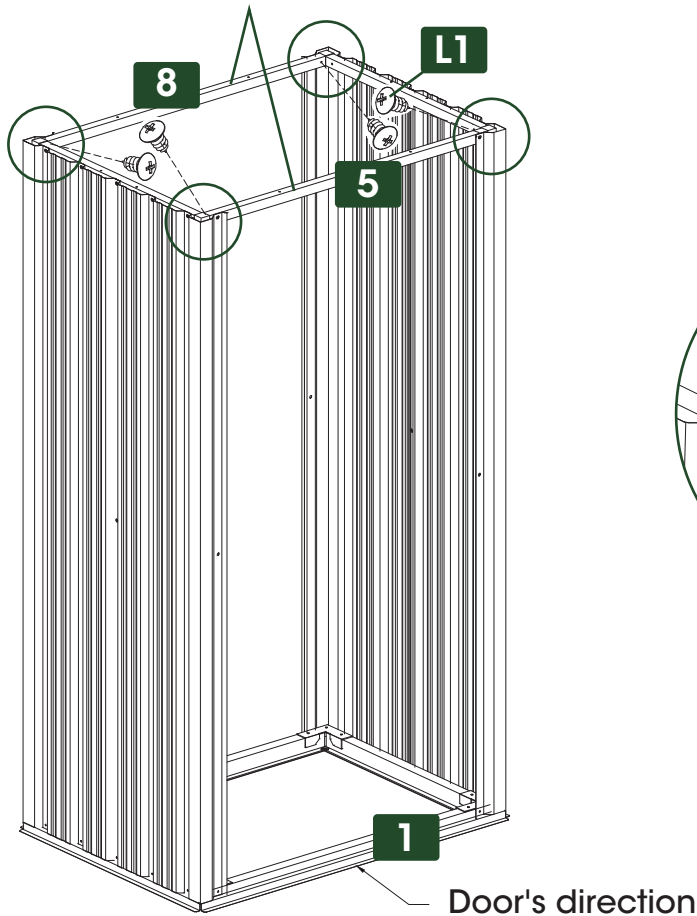
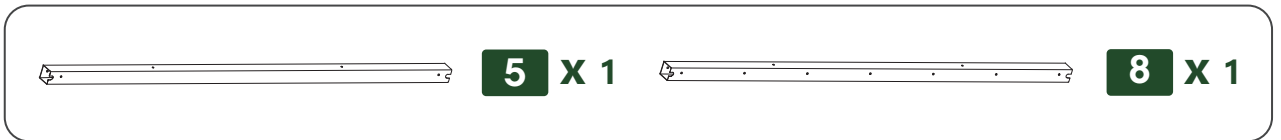
04
STEP

Pay attention to the "UP" label to avoid installation errors.



05
STEP

Pay attention to the "UP" label to avoid installation errors.

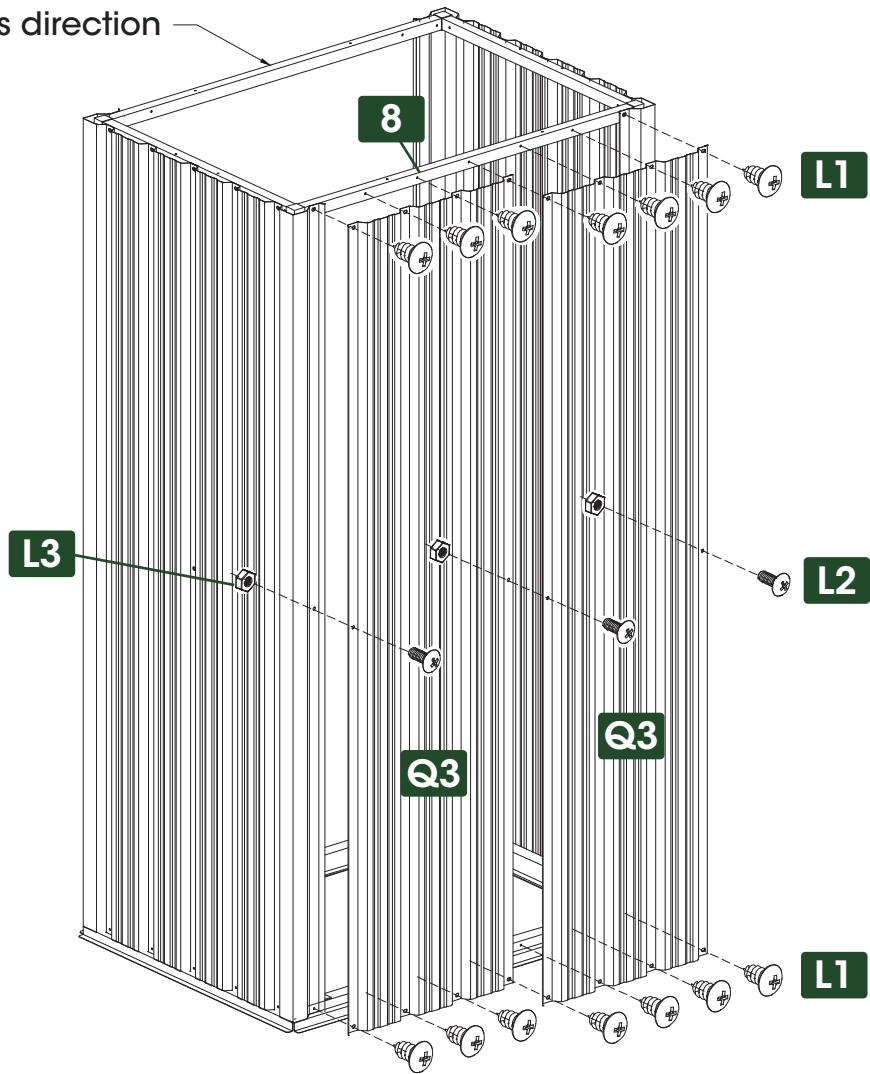


06
STEP



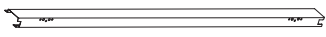
Q3 X 2

Door's direction



	L1 X 14
	L2 X 3
	L3 X 3

07 STEP



17L X 1



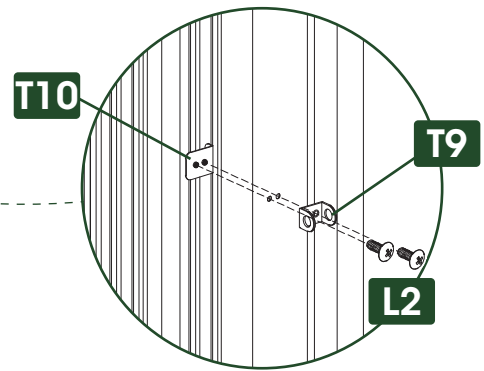
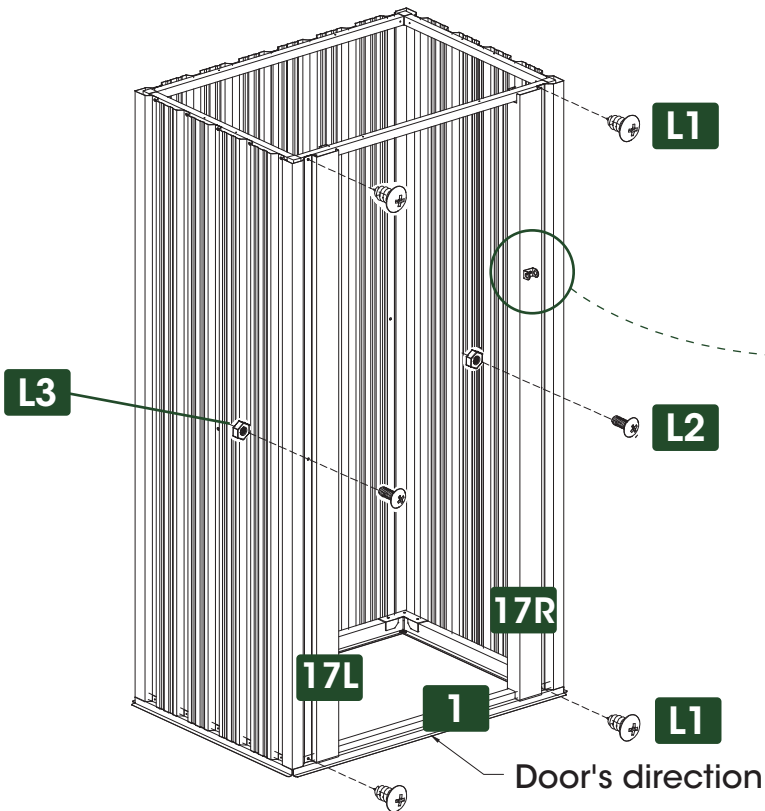
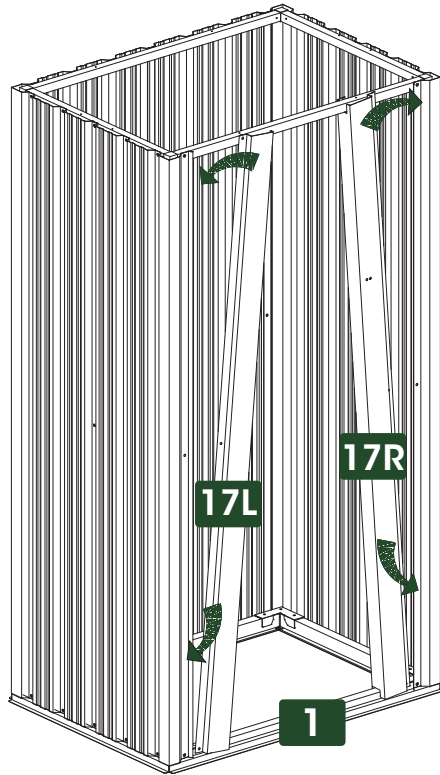
T9 X 1



17R X 1

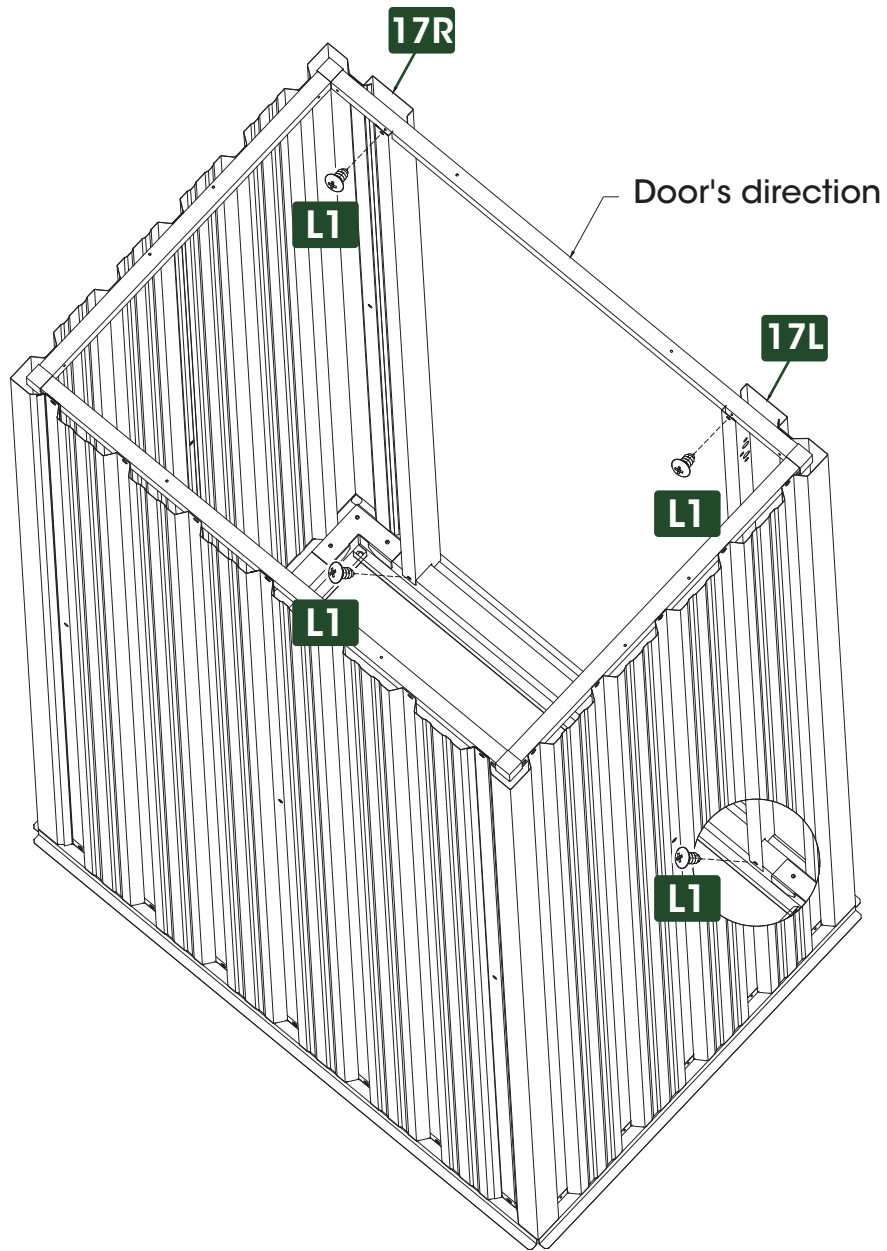


T10 X 1

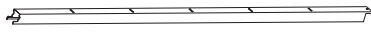


	L1 X 4
	L2 X 4
	L3 X 2

08
STEP



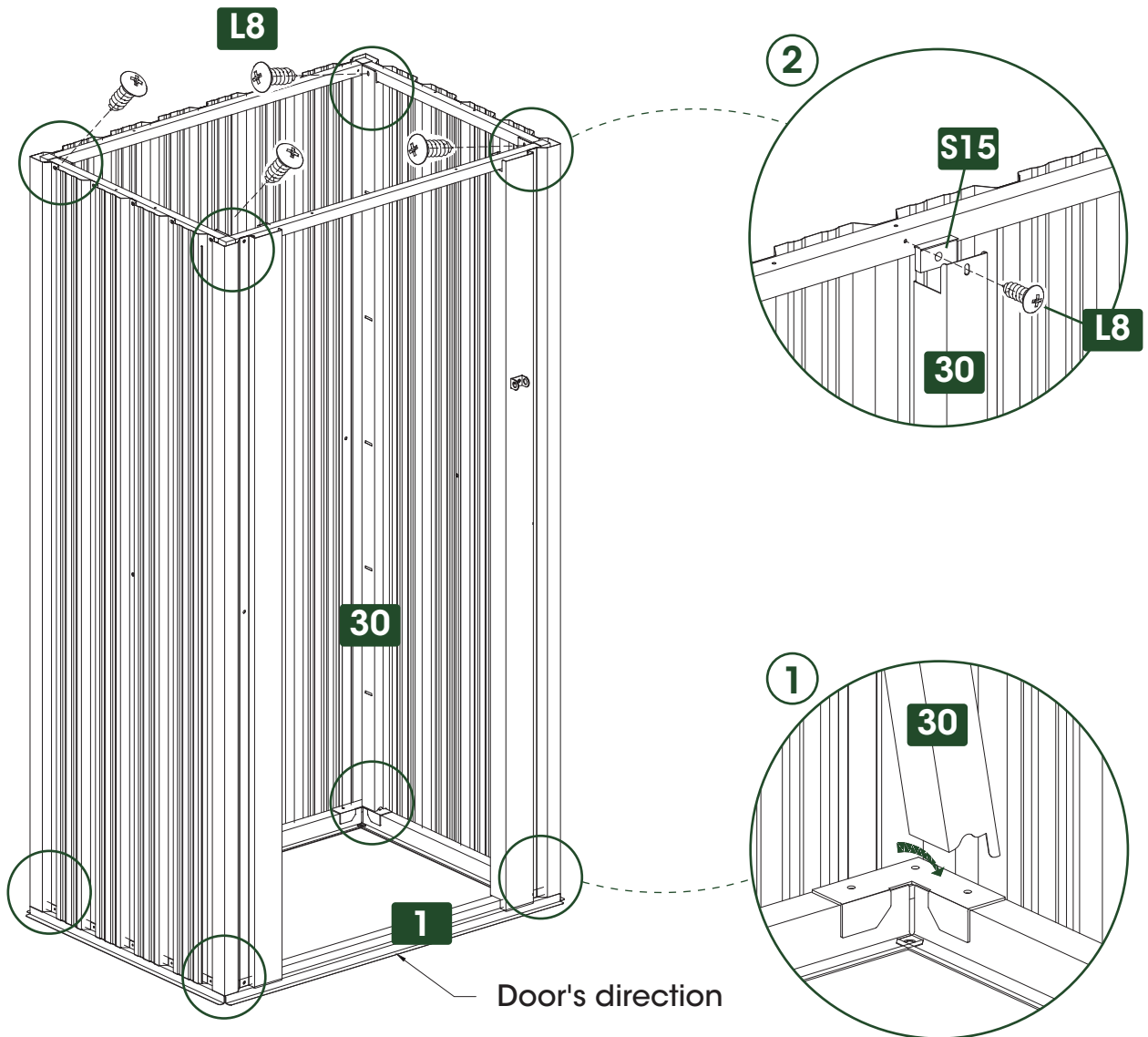
09
STEP



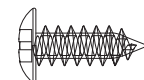
30 X 4



S15 X 4

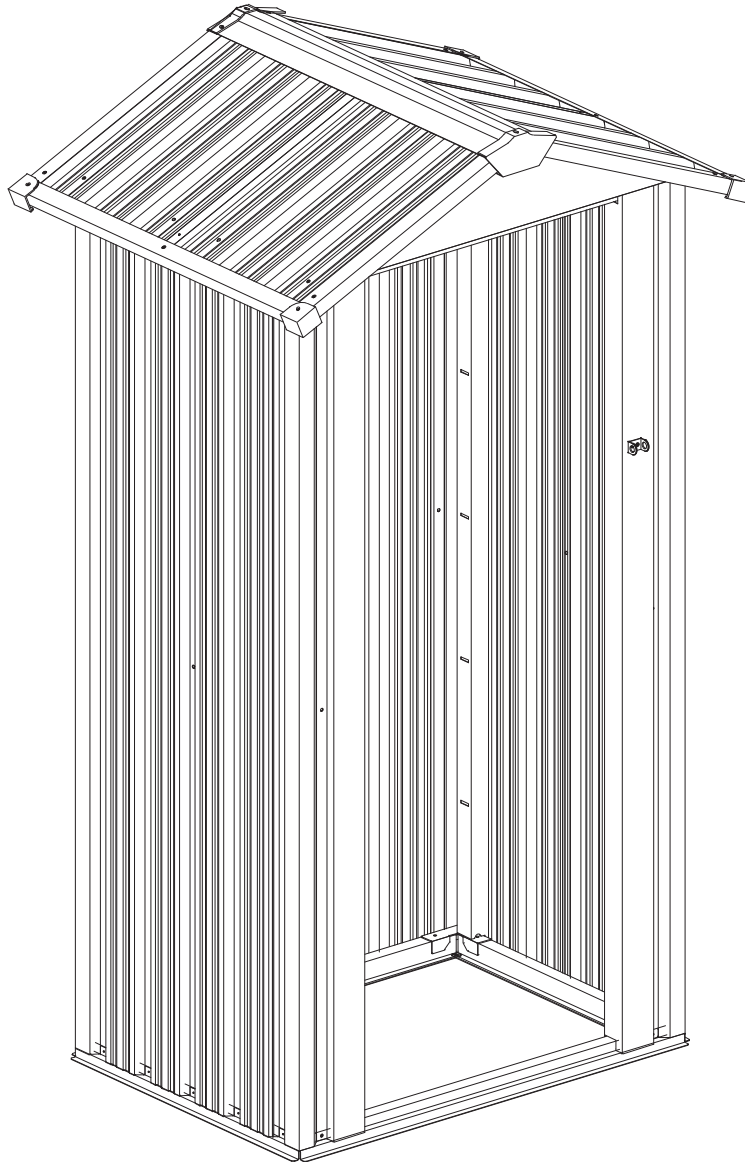


Check if the frames are aligned.
You can use a level gauge for this.



L8 X 4

Phase 3 : Top/vor/Haut de la page/superiore/arriba/Voor de/Do góry



If you find any variant of the top material, you can reset it using your hands or a pair of pliers.



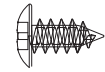
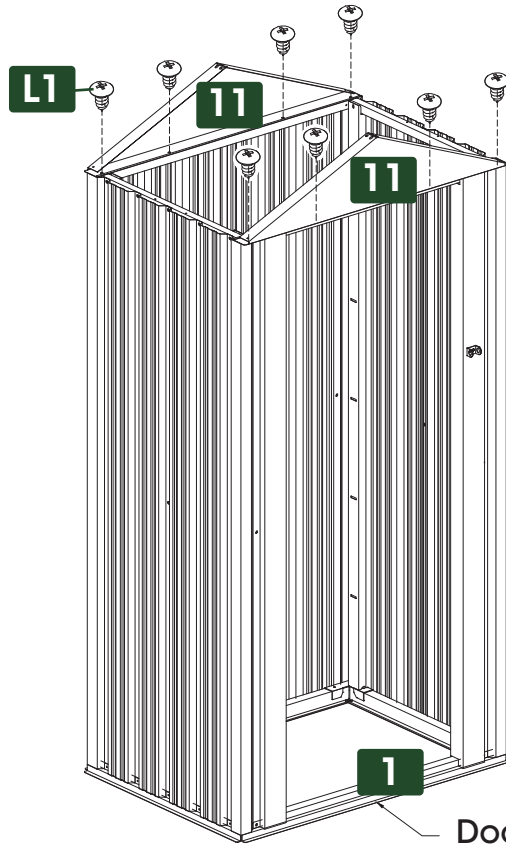
Please wear gloves when working.



10
STEP

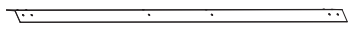


11 X 2

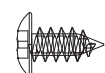
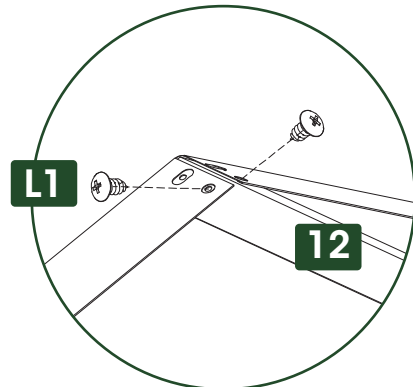
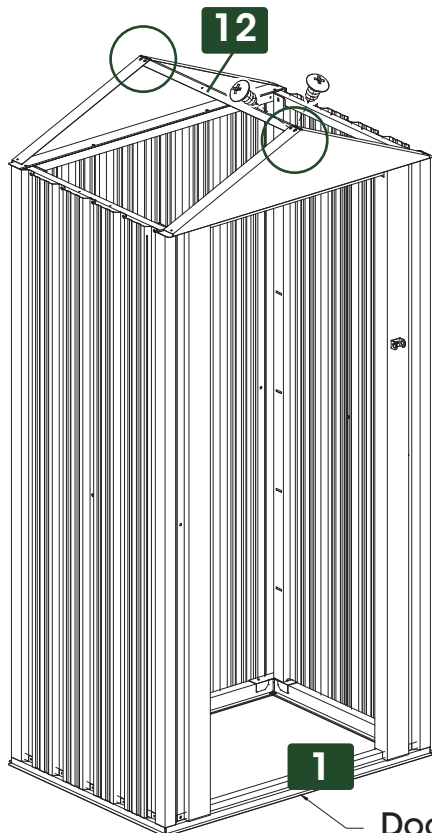


L1 X 8

11
STEP

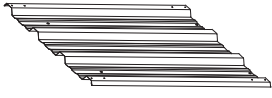


12 X 1

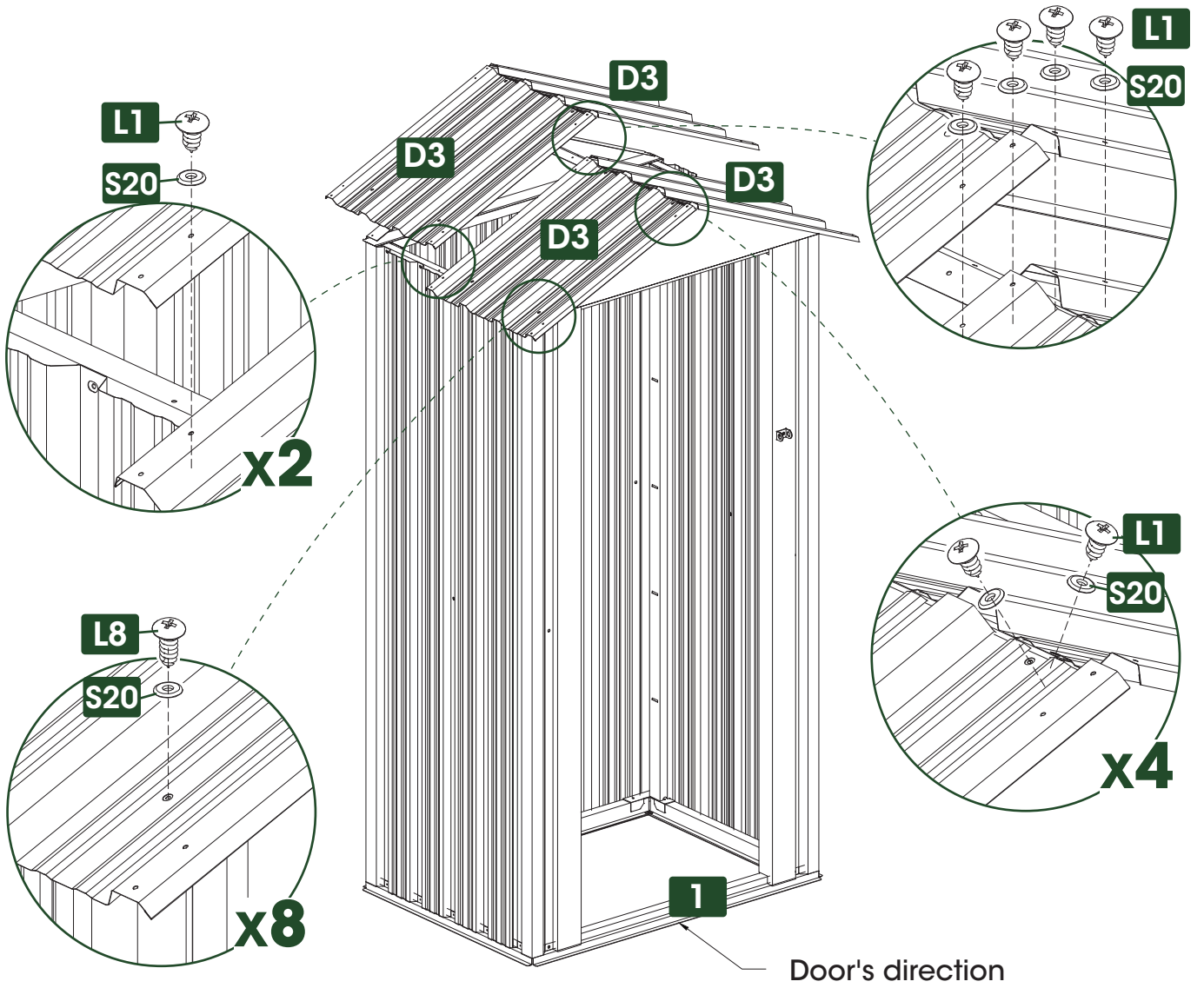


L1 X 4

12
STEP



D3 X 4

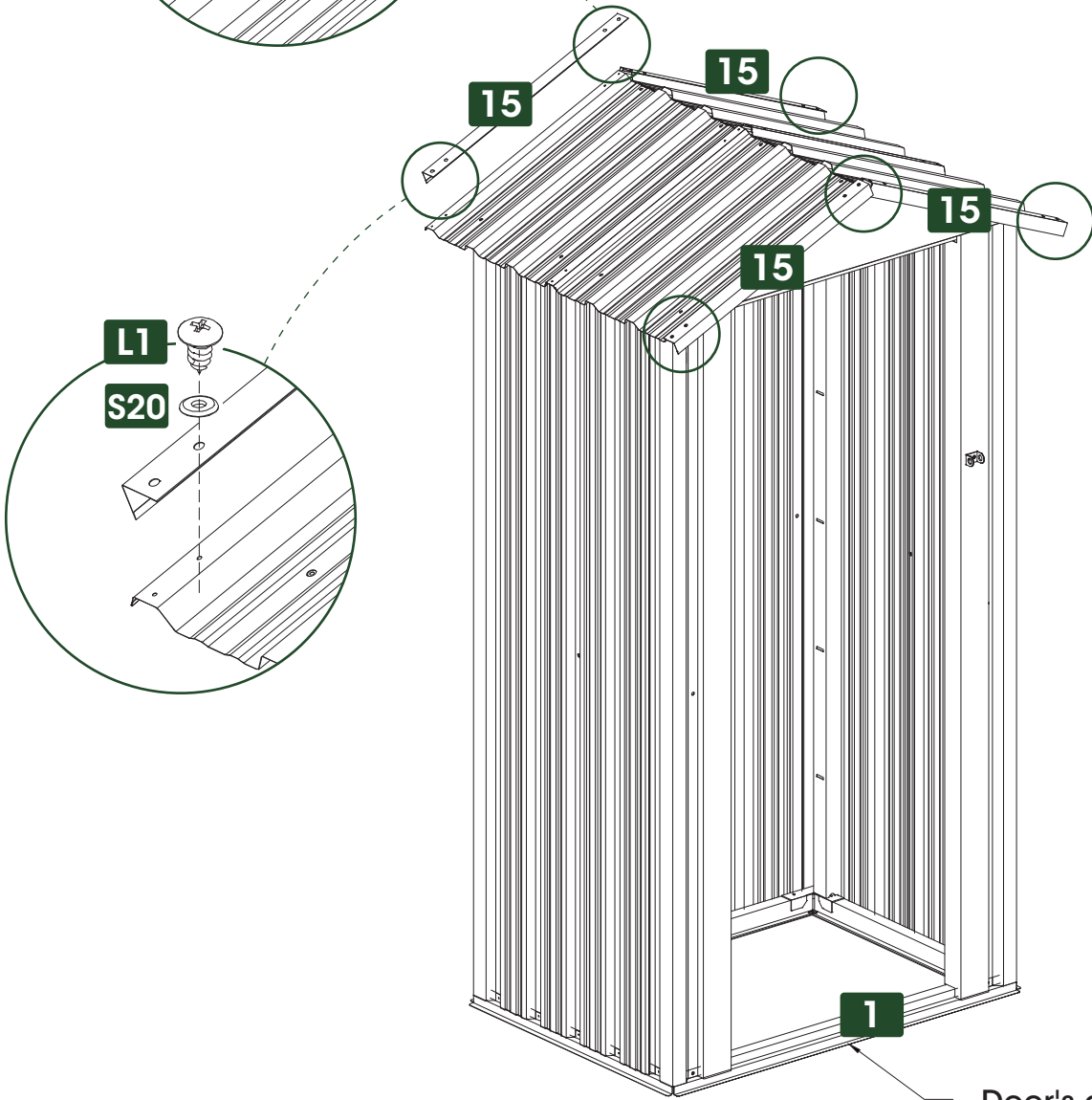
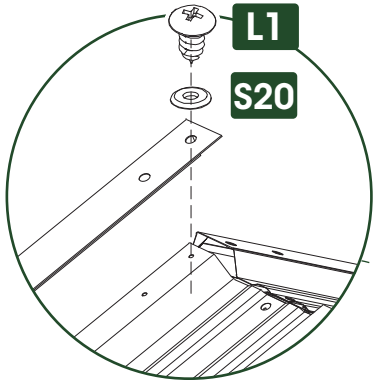


- | | |
|--|-----------------|
| | L1 X 14 |
| | L8 X 8 |
| | S20 X 22 |

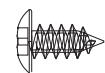
13
STEP



15 X 4



Door's direction



L1 X 8



S20 X 8

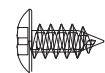
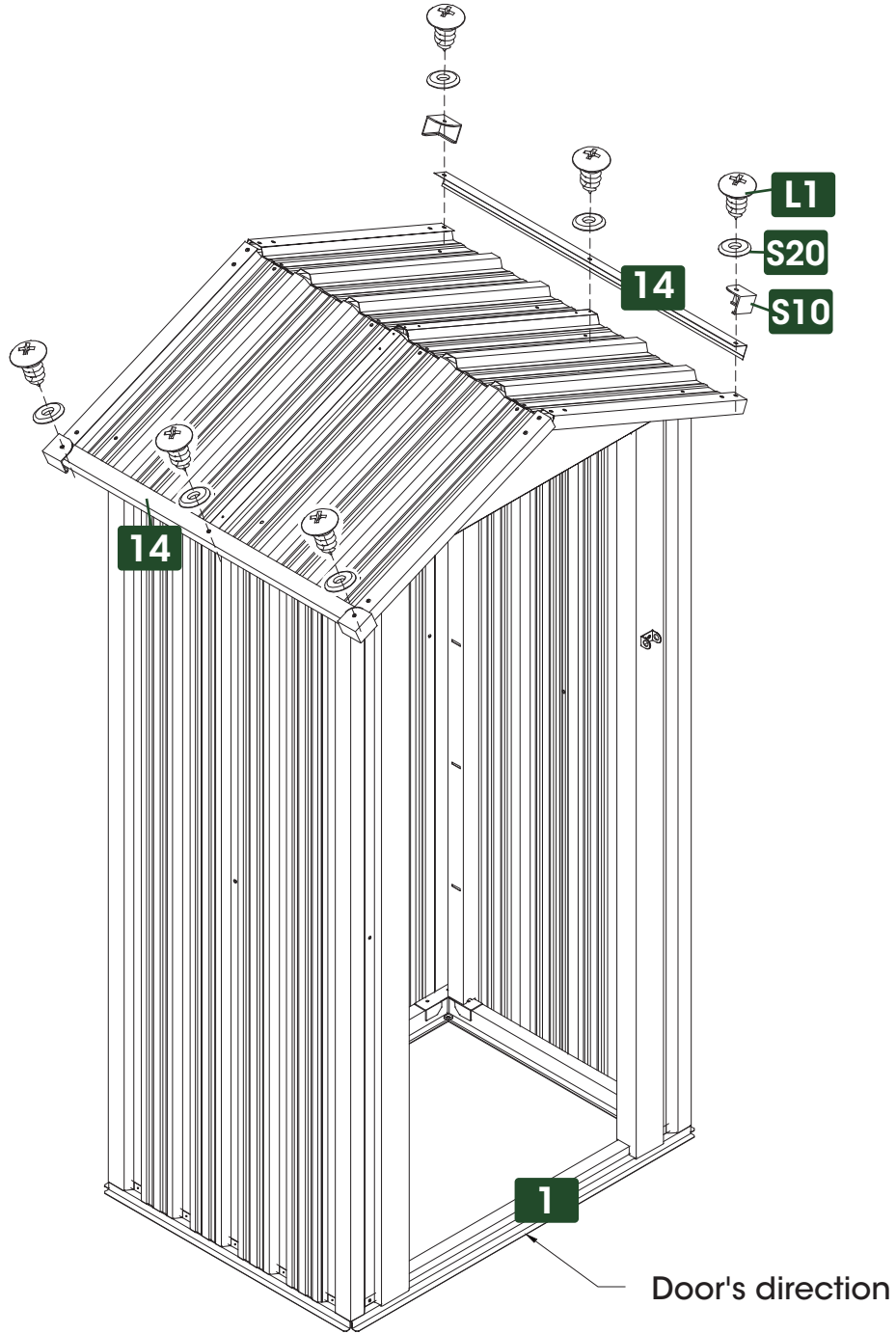
14
STEP



14 X 2



S10 X 4



L1 X 6

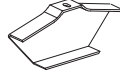


S20 X 6

15
STEP

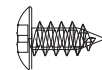
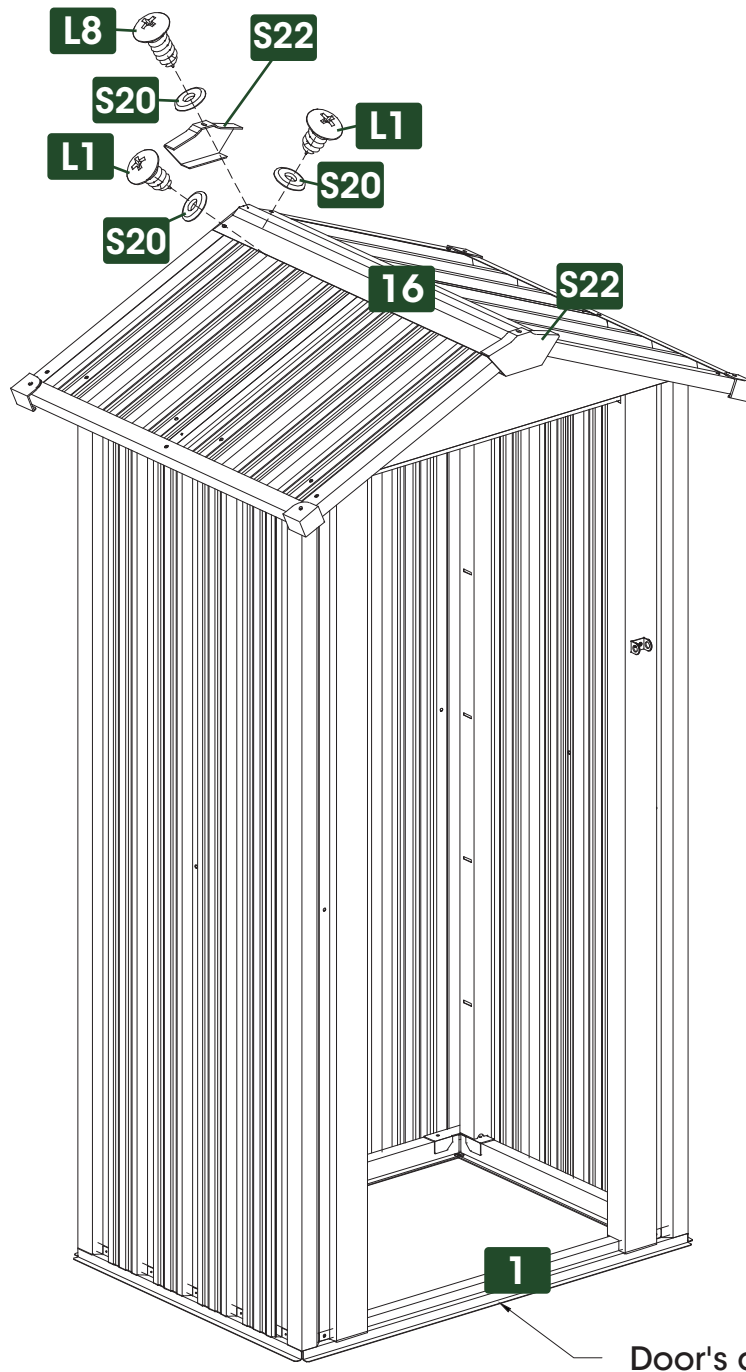


16 X 1

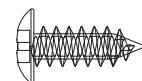


S22 X 2

The front and back connections are the same.



L1 X 4

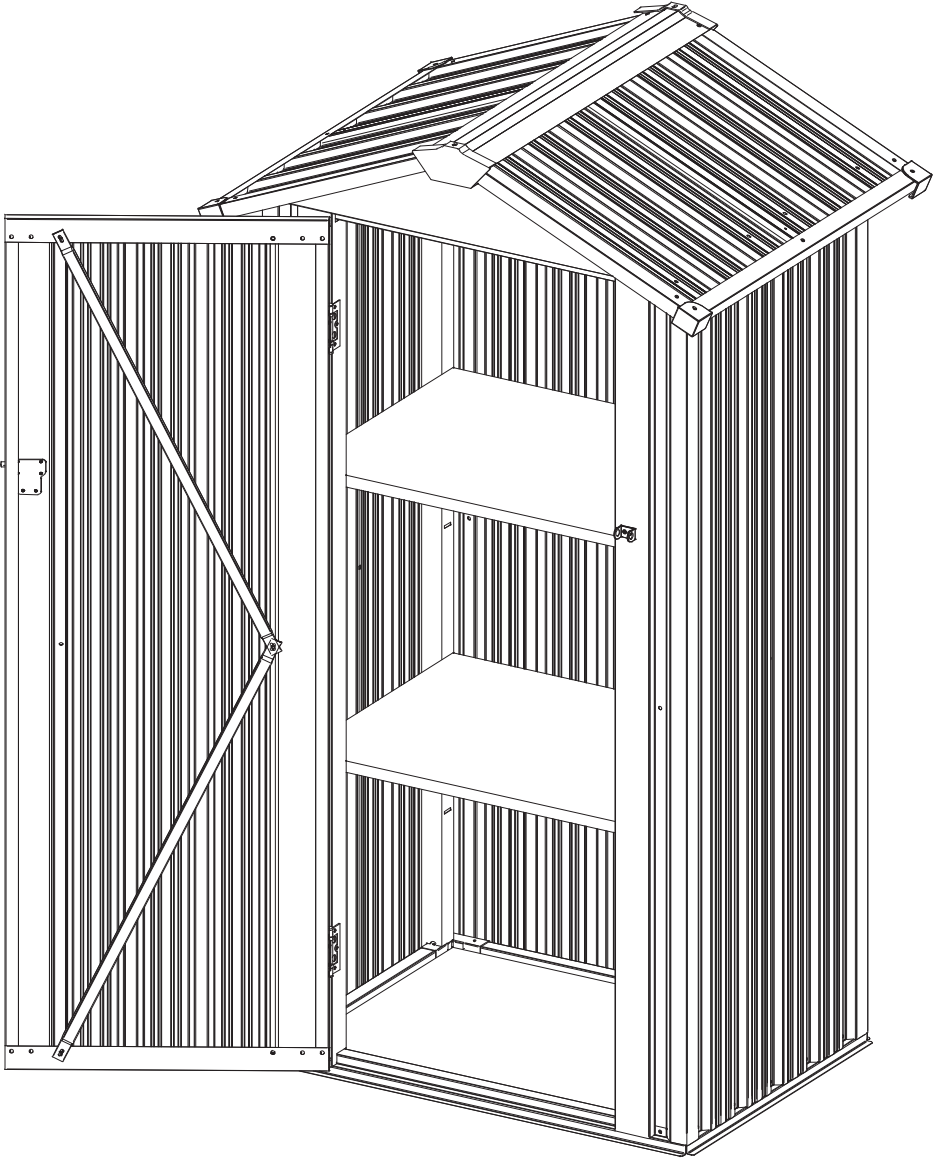


L8 X 2



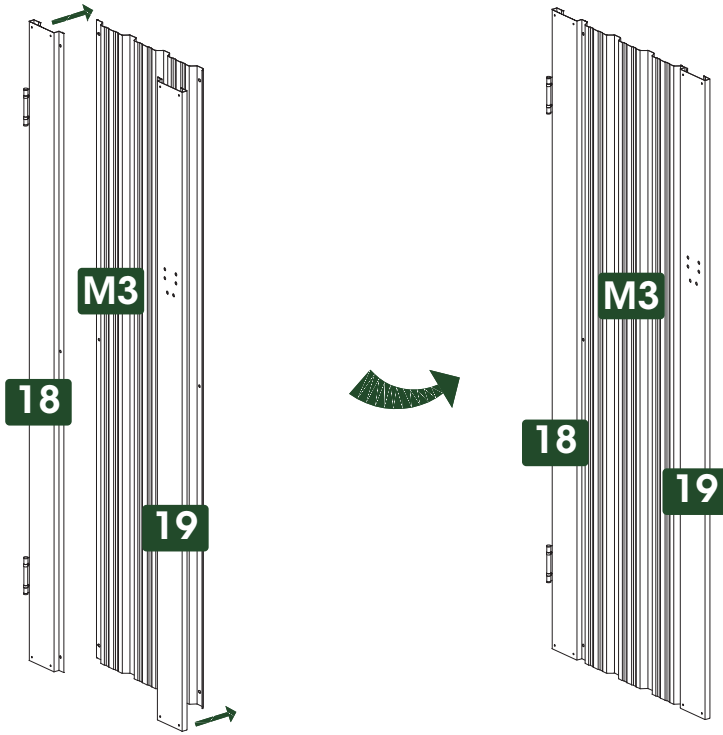
S20 X 6

Phase 4: Door/Tür/porte/porta/puerta/deur/drzwi



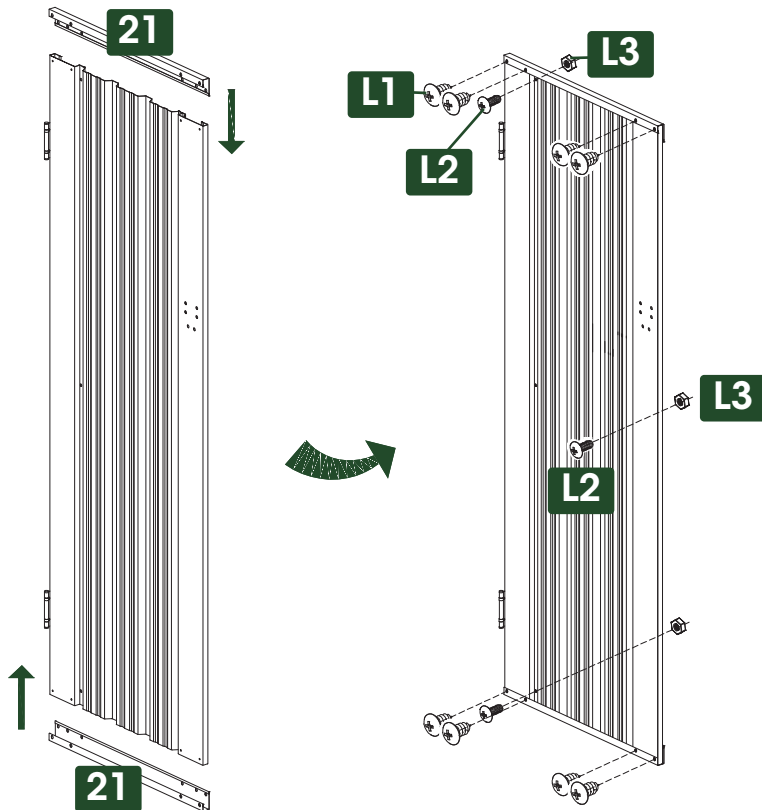
16
STEP

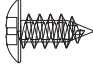
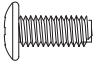

 **M3** X 1  **18** X 1  **19** X 1



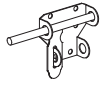
17
STEP

 **21** X 2



- | | |
|---|---------------|
|  | L1 X 8 |
|  | L2 X 3 |
|  | L3 X 3 |

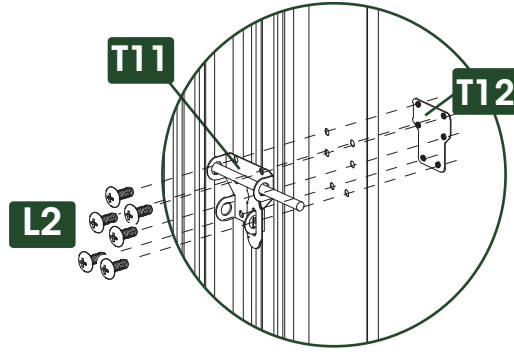
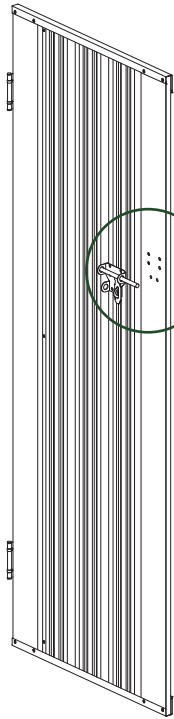
18 STEP



T11 X 1



T12 X 1

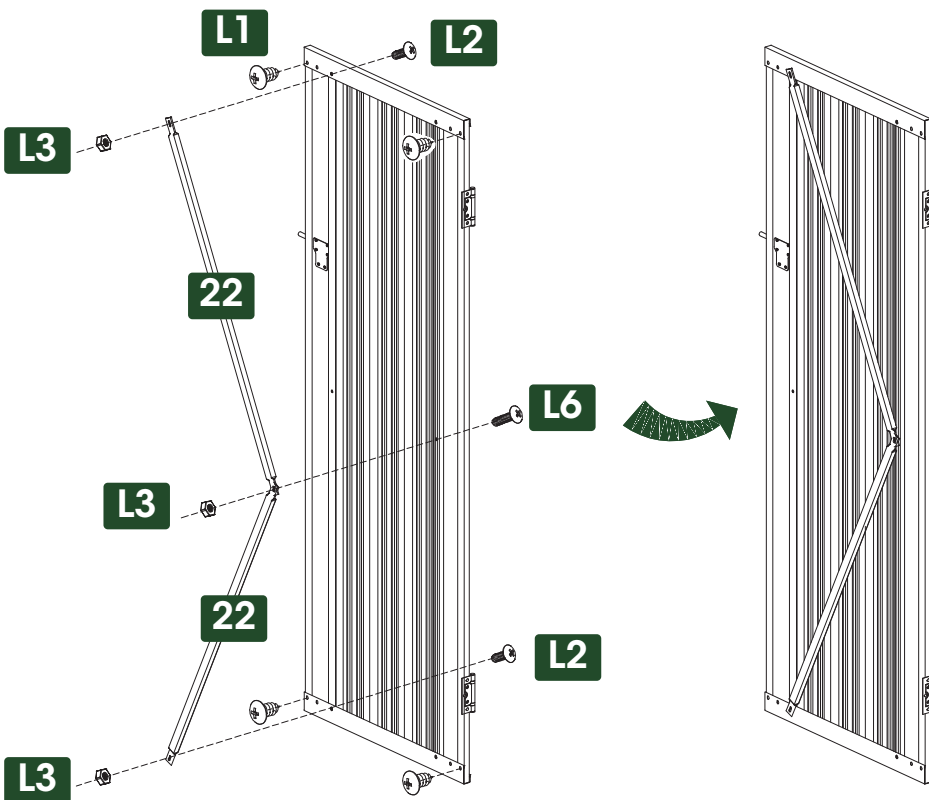


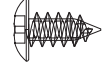
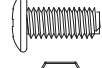

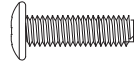
 **L2** X 6

19 STEP

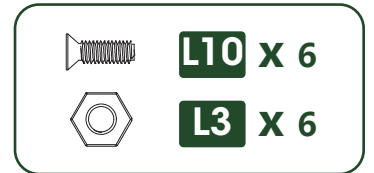
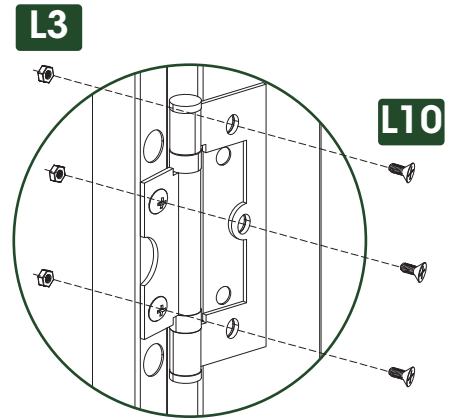
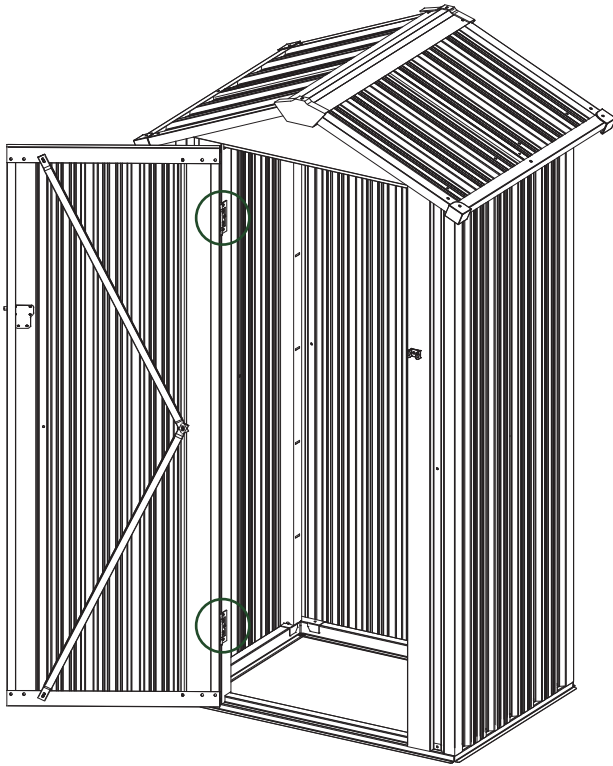


22 X 2

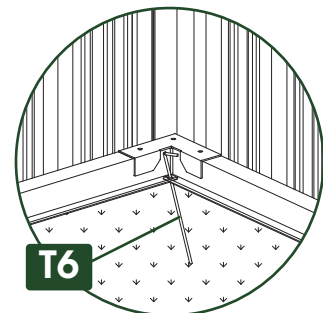
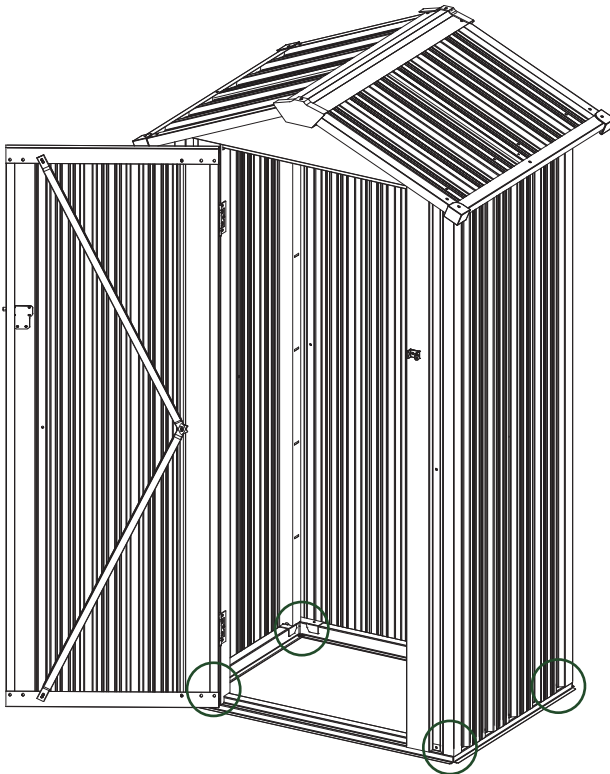


	L1 X 4
	L2 X 2
	L3 X 3
	L6 X 1

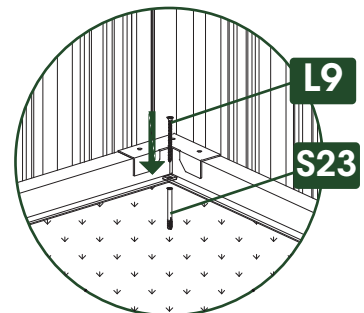
20 STEP



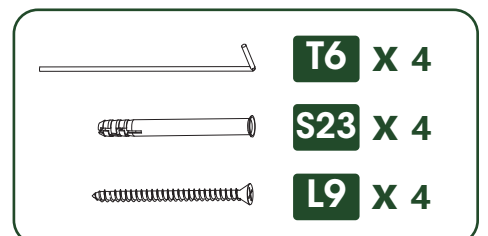
21 STEP



Soft foundation



Hard foundation

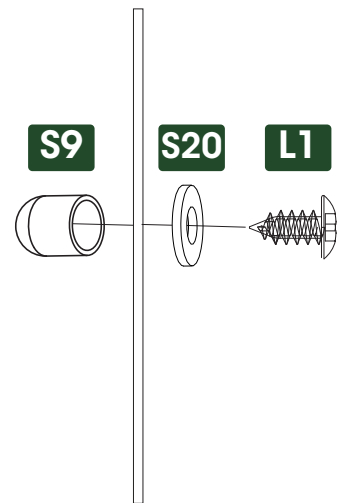
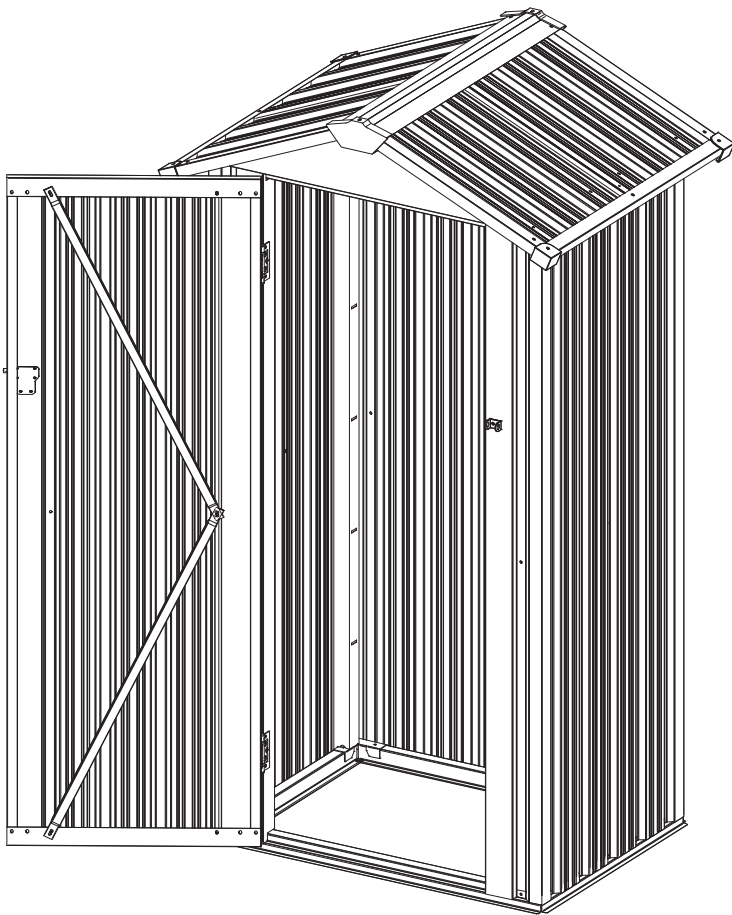


To improve wind resistance, **be sure to complete this installation step. If expansion screws or ground nails are not installed, strong winds may topple the Steel Cabinet.** Expansion screws are essential for stability on cement surfaces, and ground nails are for grassy surfaces. All are included in the accessories package.

22
STEP

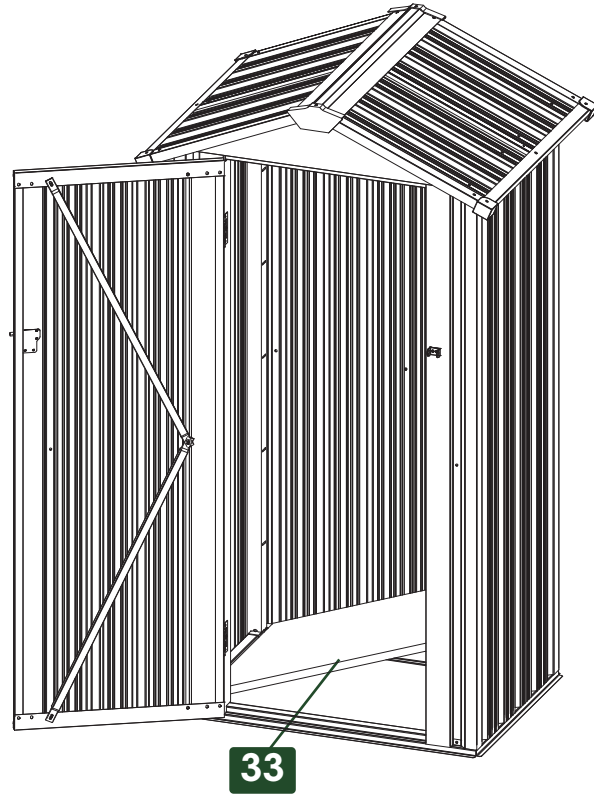


S9 X 32

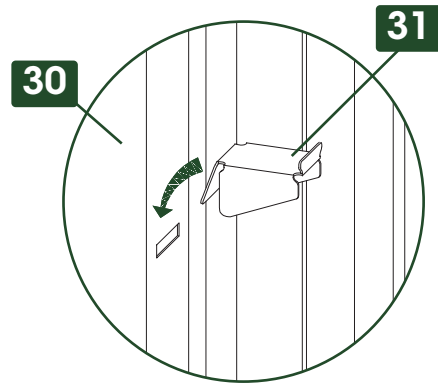
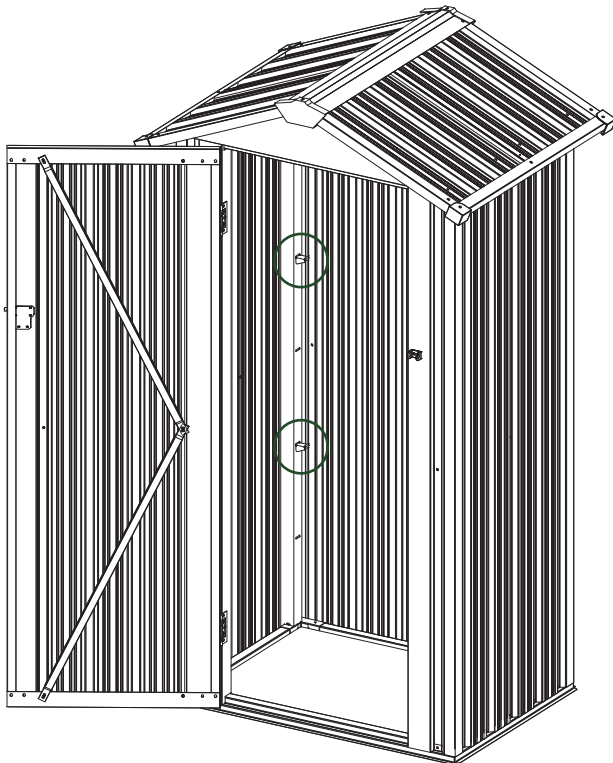


Plastic screw cap is used to prevent the sharp end of the screw from scratching people .

23
STEP

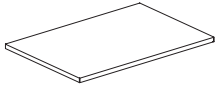


24
STEP

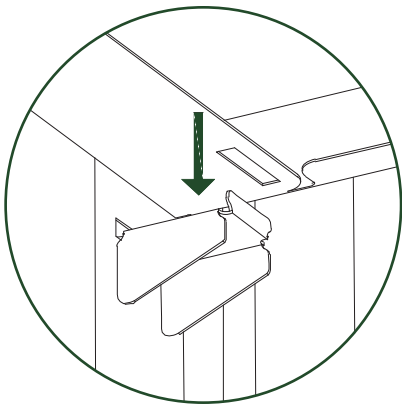
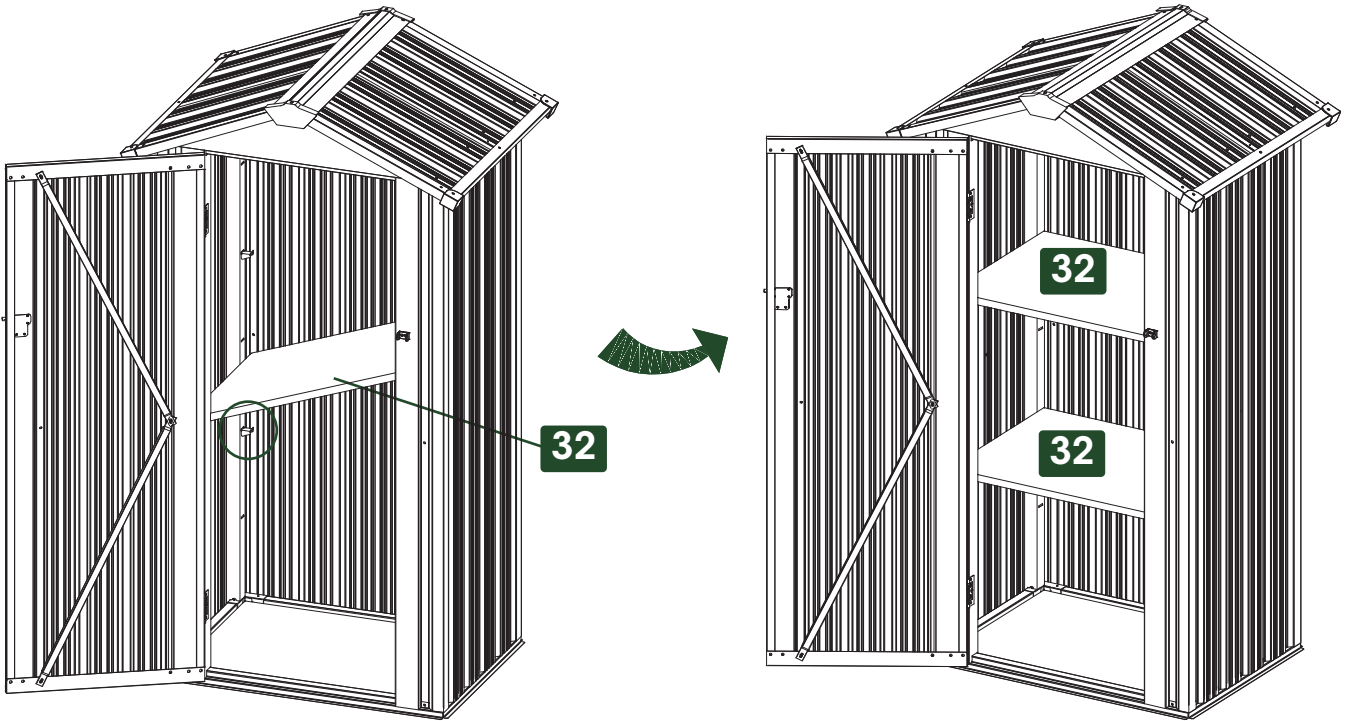


Secure the metal clip at the desired height.

25
STEP



32 X 2



AFTER-SALE/Mit dem verkauf/Après vente/post-vendita/LVenta posventa/Verkoop na verkoop/SPRZEDAŻ POSPRZEDAŻ

AFTER-SALE SERVICE

If you have any suggestions or encounter quality issues with our products, please contact us first.

Our after-sales team will respond within 24 hours, and we will do our best to provide a solution until you are satisfied.

GUARANTEED CUSTOMER SERVICE

Your shopping experience is very important to us!

If you feel unsatisfied or have any questions,
just contact us!

If you want to share how wonderful our smart product makes your home, **just contact us** and share your pictures!

For further information,
just contact us!