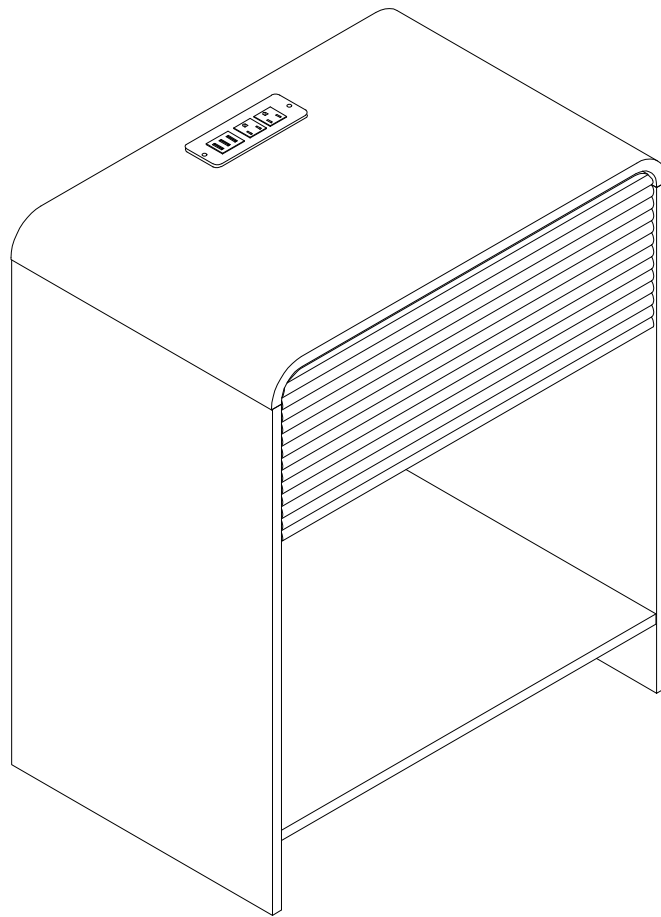


Assembly Instructions

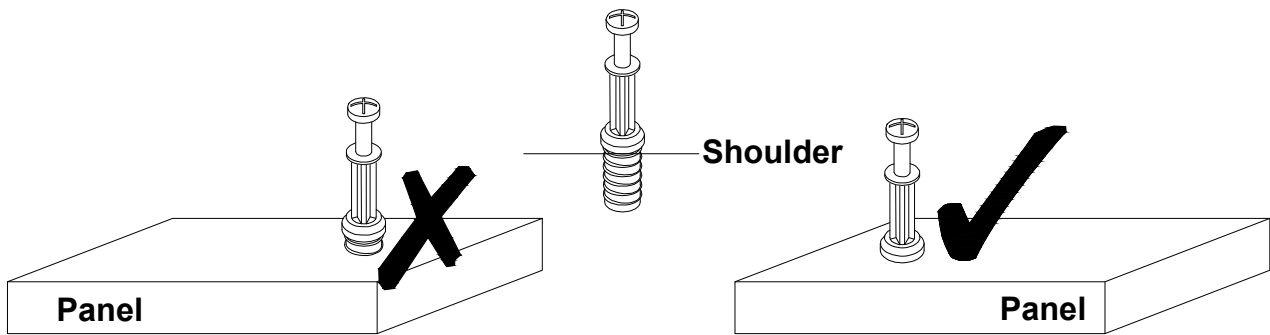


Before Assembly

Tips Before Your Start:

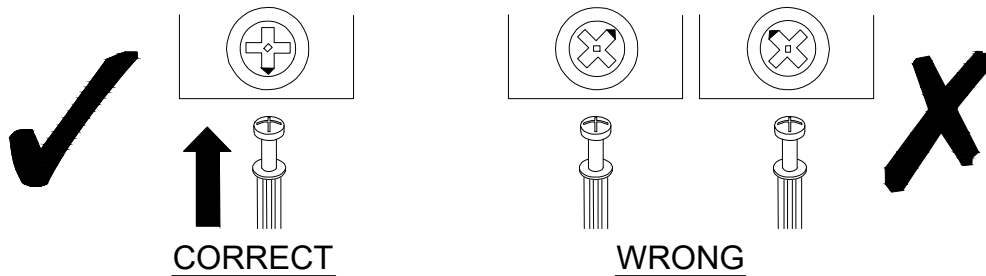
- Remove all wrapping material, including staples & packing straps before you start to assemble.
- DO NOT tighten all screws and bolts until the assembly is completely assembled.
- Keep all hardware parts out of reach of children.

QUICKFIT



Tighten quickfit until shoulder is flush with panel. Do not overtighten or undertighten.

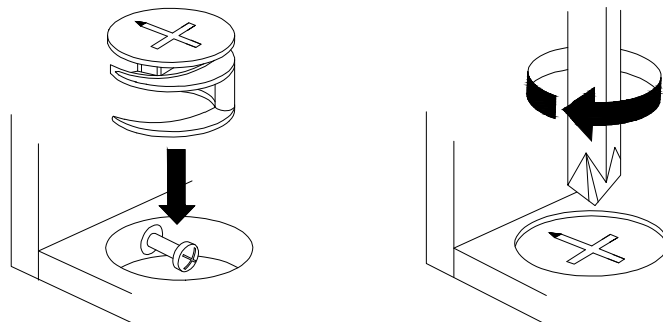
CAM LOCK



When fitting a cam lock, ensure the starting position is correct before inserting the connecting QUI CKFIT

Quickfit head should be in the centre of the cam lock when the two panels are joined.

Cam lock should be inserted before quickfit.

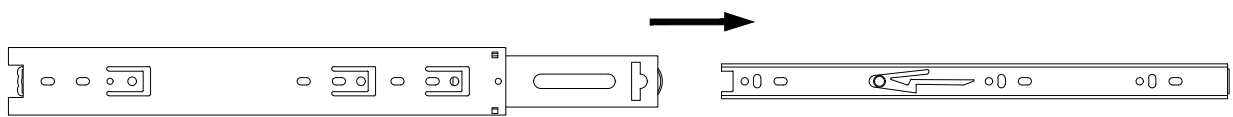
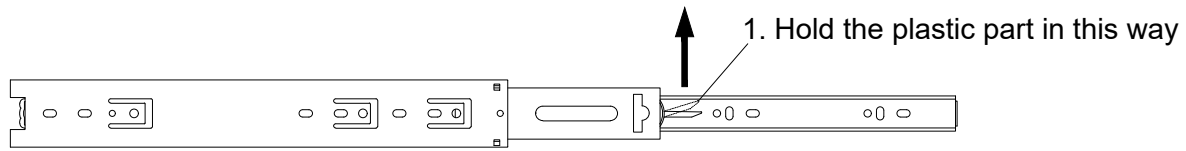


Turn cam lock clockwise to tighten.

Before Assembly

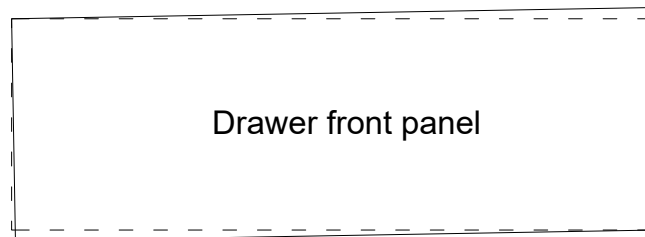
Tips Before Your Start

How to separate the drawer slider:

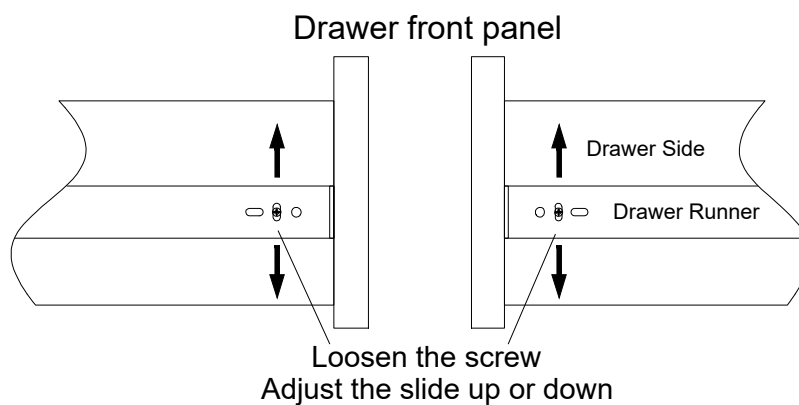


2. Pull out the inner slider for drawer box fixing

Drawer Front Alignment



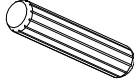
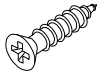
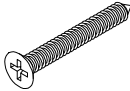
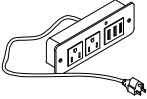

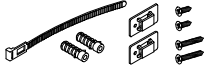


If the drawer front panel is NOT level after being assembled, then...

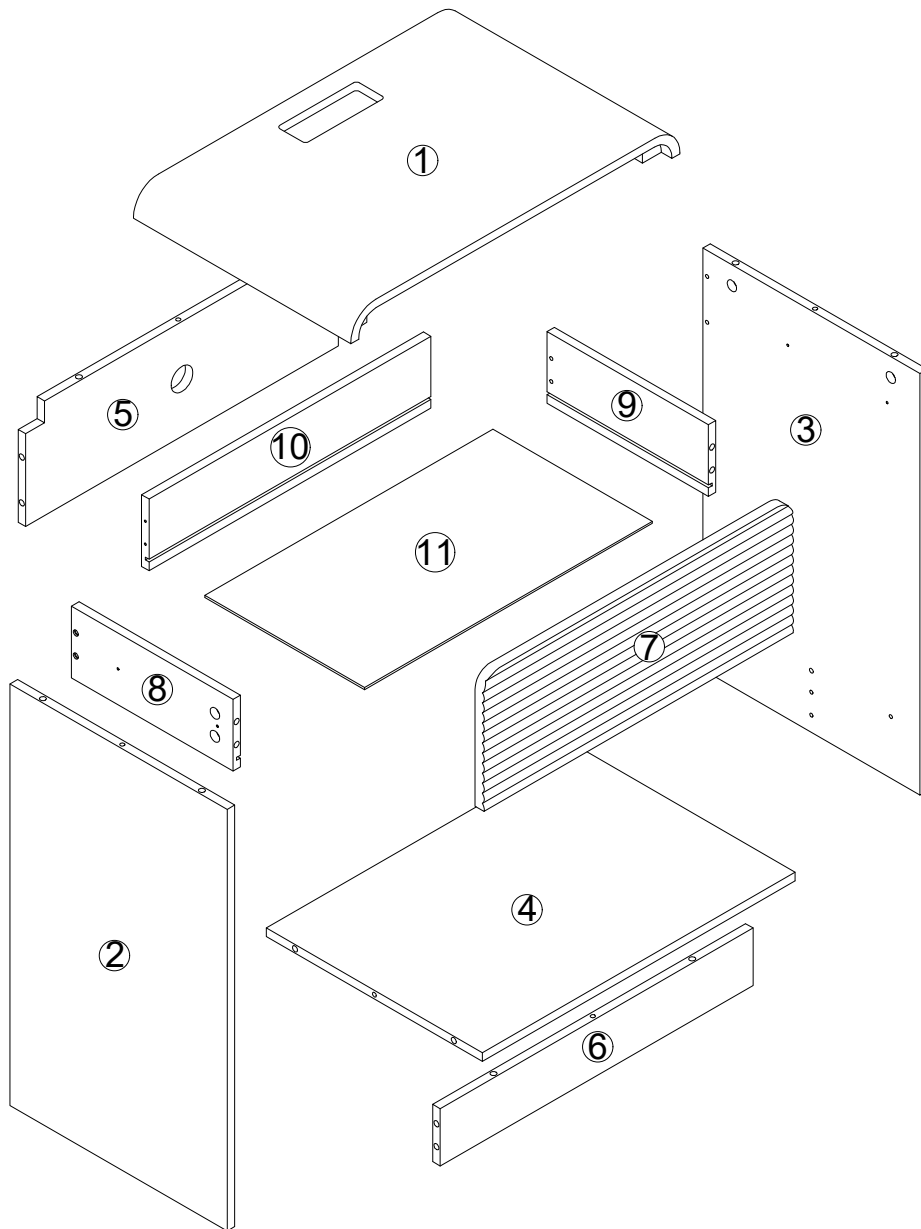


Loosen the screws on the left and right hand side, then adjust the drawer slide up or down, until the drawer fronts are even/level, then tighten the screws.

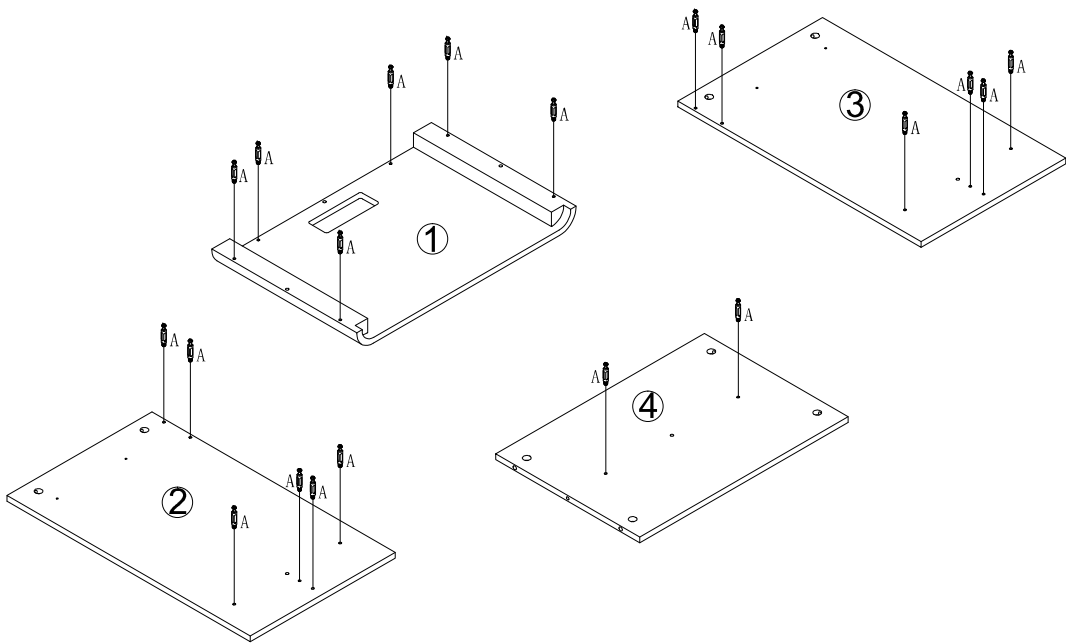
Part List

<p>No. A Quantity:24 Pcs Cam Lock Dowel 8*28mm</p> 	<p>No. B Quantity:24 Pcs Cam φ15</p> 	<p>No. C Quantity:24Pcs Sticker Ø20</p> 	<p>No. D Quantity:6 Pcs Dowel 6*30mm</p> 
<p>No. E Quantity:1 Sets Drawer Slider 10"</p> 	<p>No. F Quantity:10 Pcs Screw M3.5*12mm</p> 	<p>No. G Quantity:4 Pcs Screw M4*30mm</p> 	<p>No. H Quantity:1 Sets Power strip</p> 
<p>No. I Quantity:6 Pcs Foot Pad Ø12*5</p> 	<p>No. J Quantity:1 Sets Anti-falling Parts</p> 		

Product structure



STEP 1



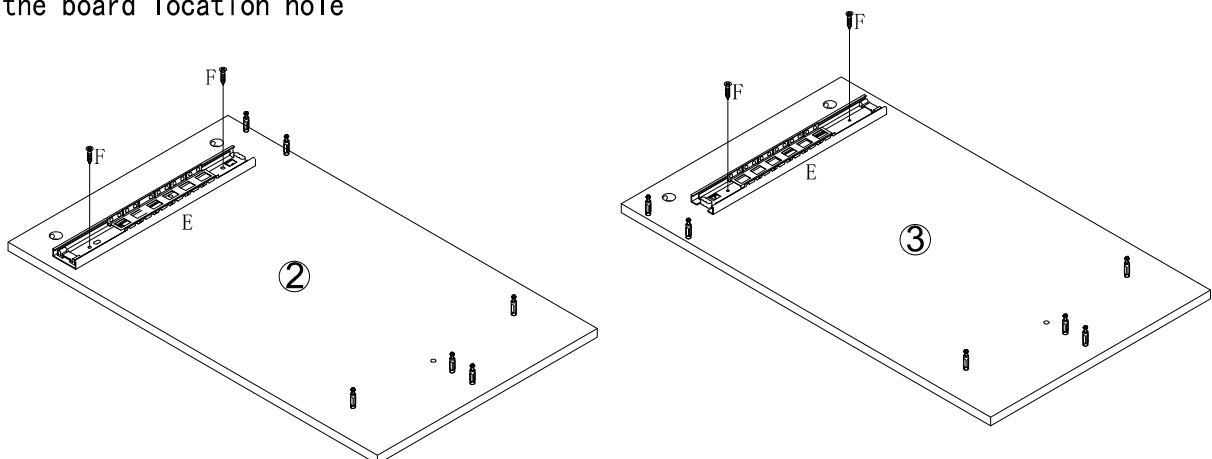
No. A
Quantity: 20 Pcs
8*28 mm



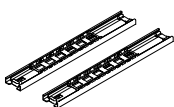
STEP 2



The first screw hole should corresponded with the board location hole



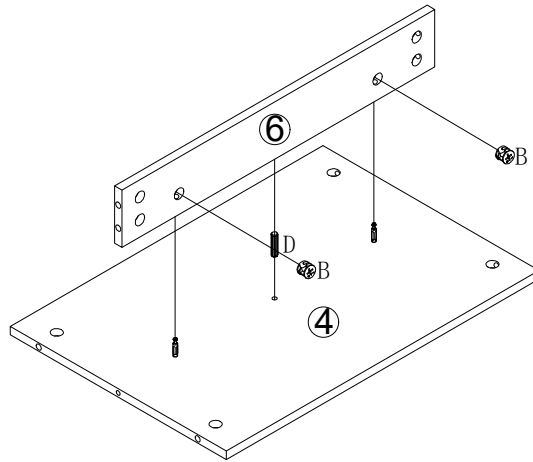
No. E
Quantity: 1 Sets
10"



No. F
Quantity: 4 Pcs
M3.5*12mm



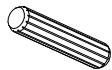
STEP 3



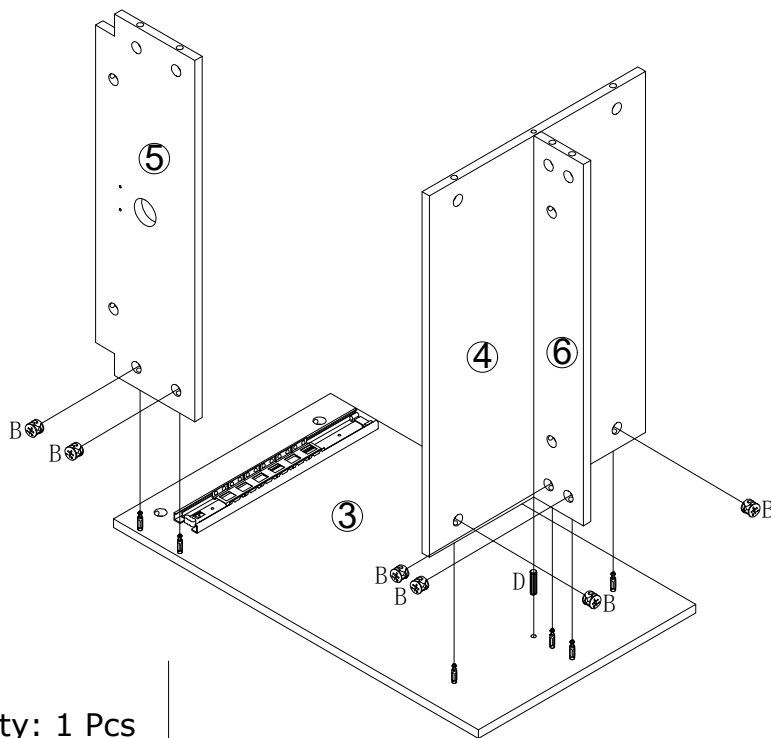
No. B
Quantity: 2 Pcs
Ø15



No. D
Quantity: 1 Pcs
6*30mm



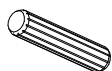
STEP 4



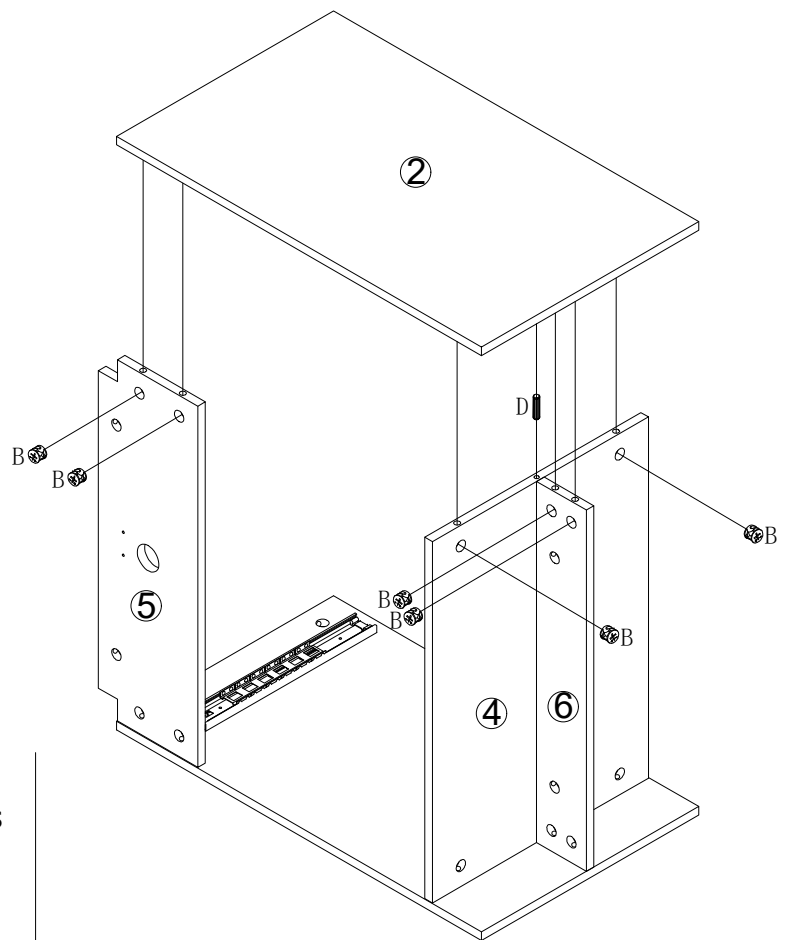
No. B
Quantity: 6 Pcs
Ø15



No. D
Quantity: 1 Pcs
6*30mm



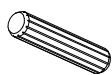
STEP 5



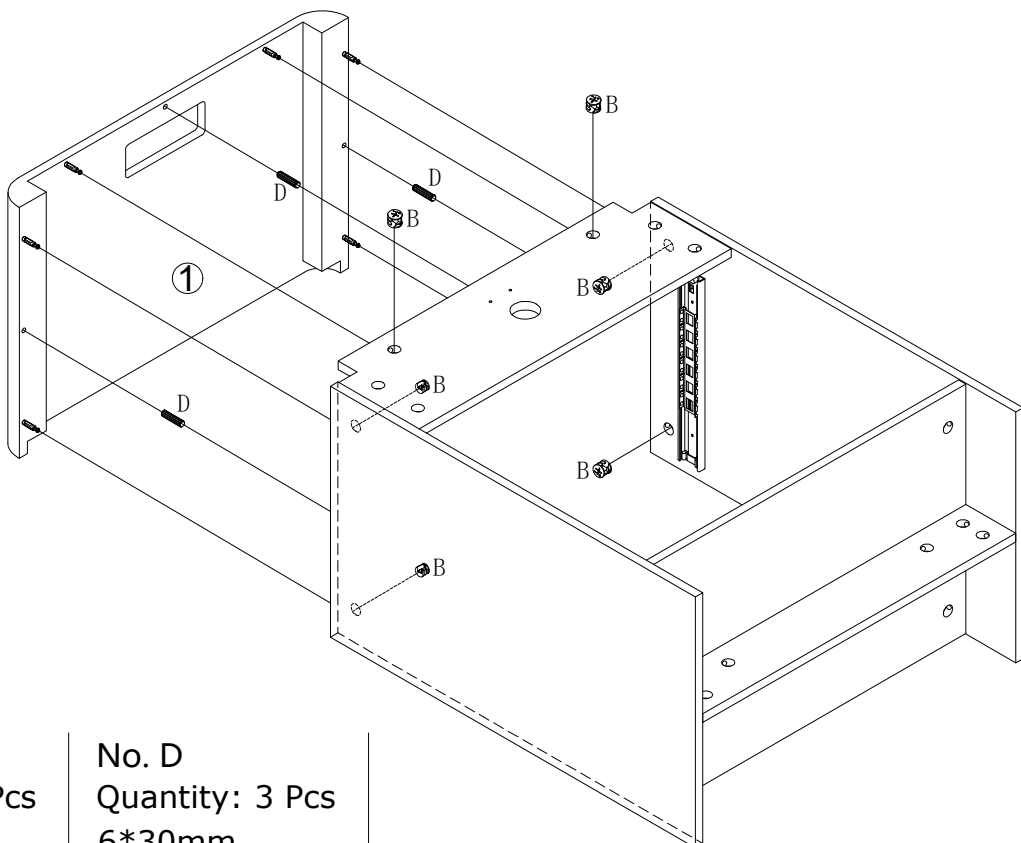
No. B
Quantity: 6 Pcs
Ø15



No. D
Quantity: 1 Pcs
6*30mm



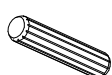
STEP 6



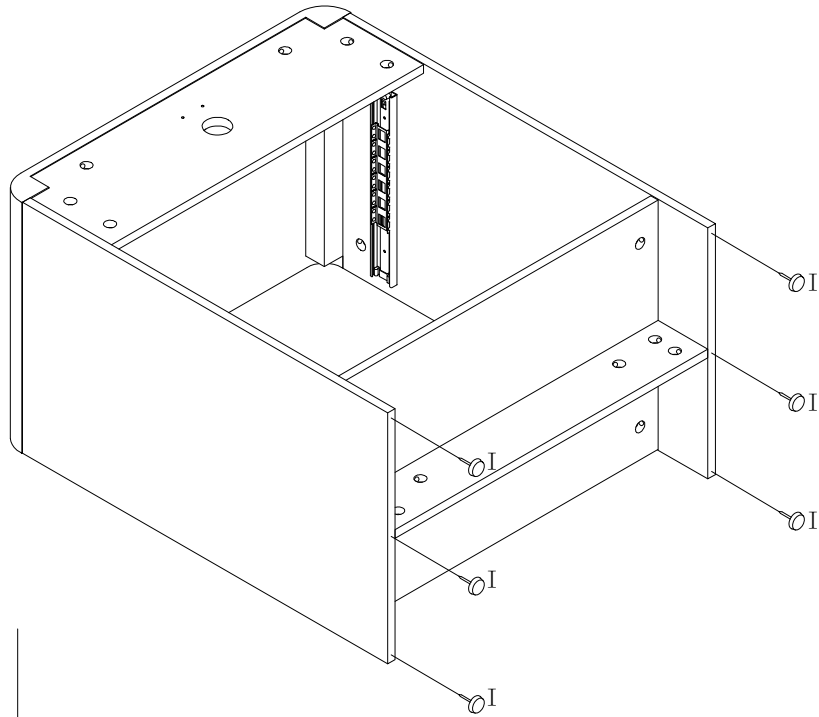
No. B
Quantity: 6 Pcs
Ø15



No. D
Quantity: 3 Pcs
6*30mm



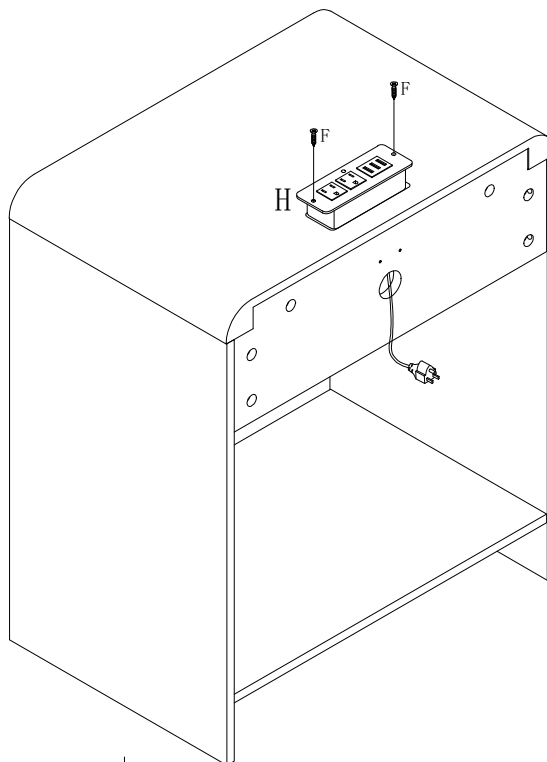
STEP 7



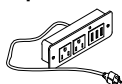
No. I
Quantity: 6 Pcs
Ø12*5



STEP 8



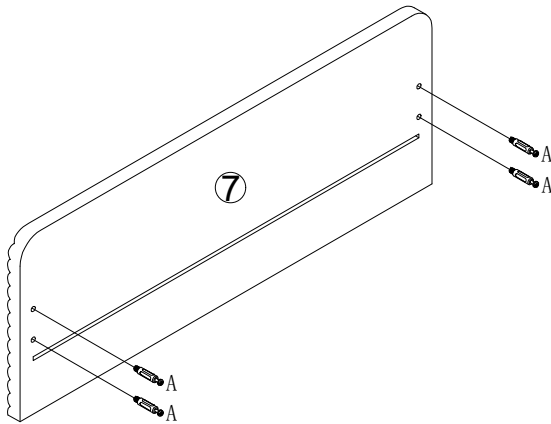
No. H
Quantity: 1 Sets
Power strip



No. F
Quantity: 2 Pcs
M3.5*12mm



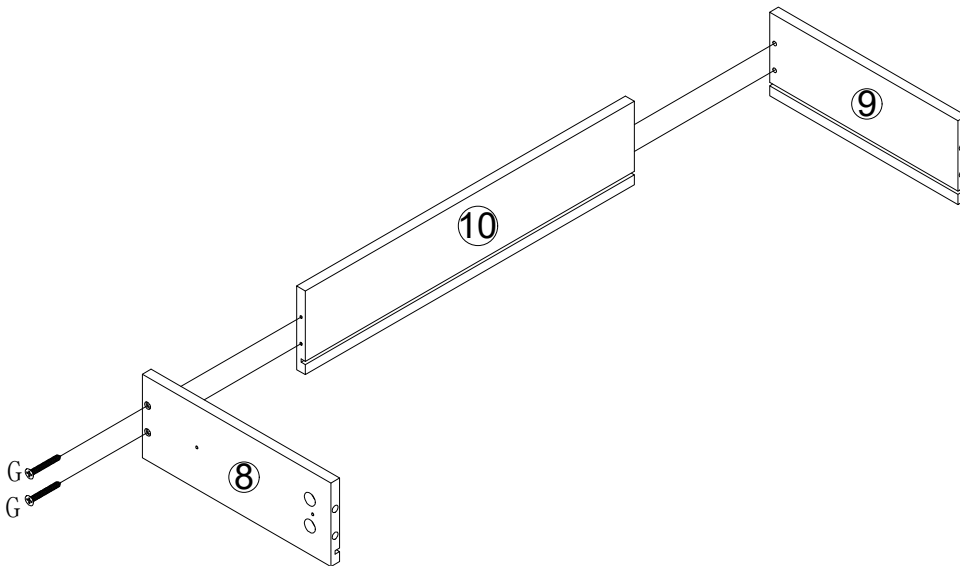
STEP 9



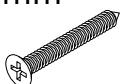
No. A
Quantity: 4 Pcs
8*28 mm



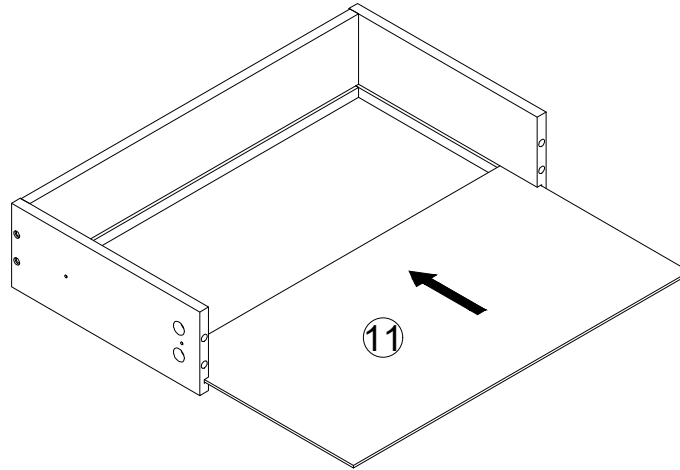
STEP 10



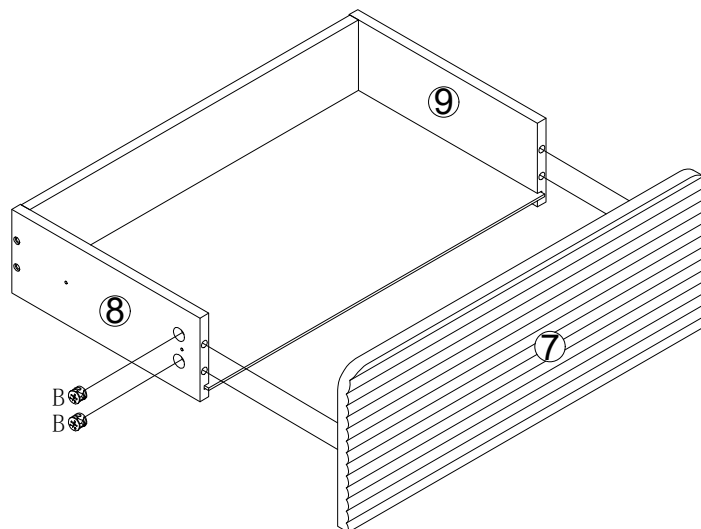
No. G
Quantity: 4 Pcs
M4*30mm



STEP 11



STEP 12



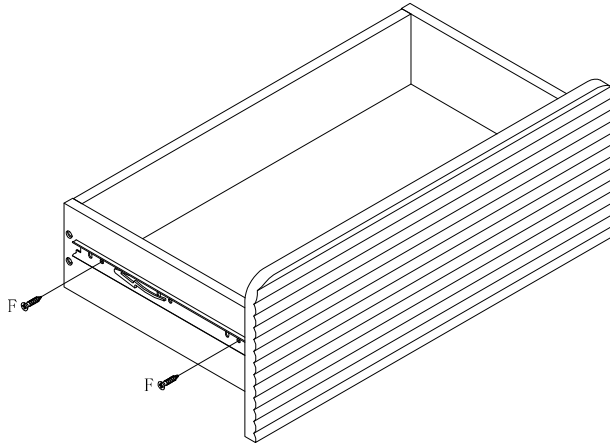
No. B
Quantity: 4 Pcs
Ø15



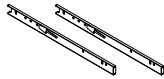
STEP 13



The first screw hole should correspond with the board location hole



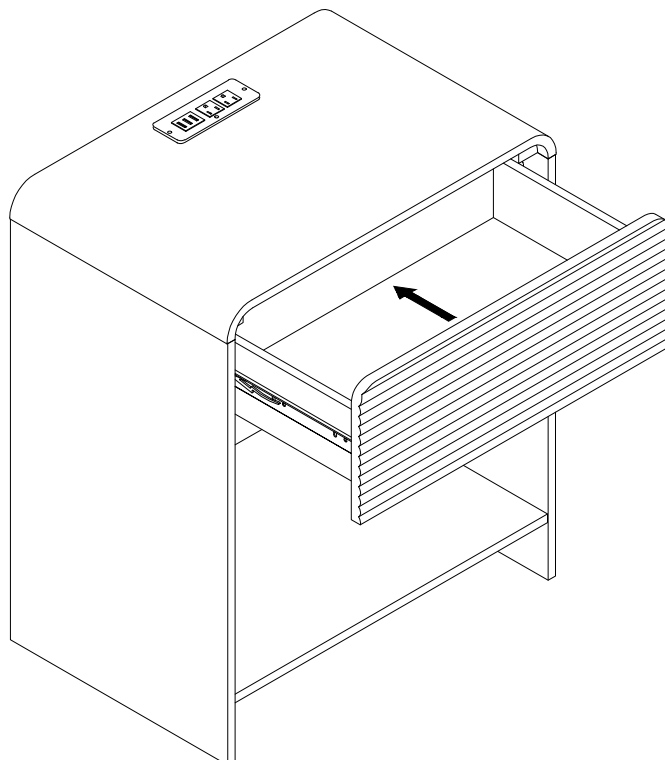
No. E
Quantity: 1 Sets
10"



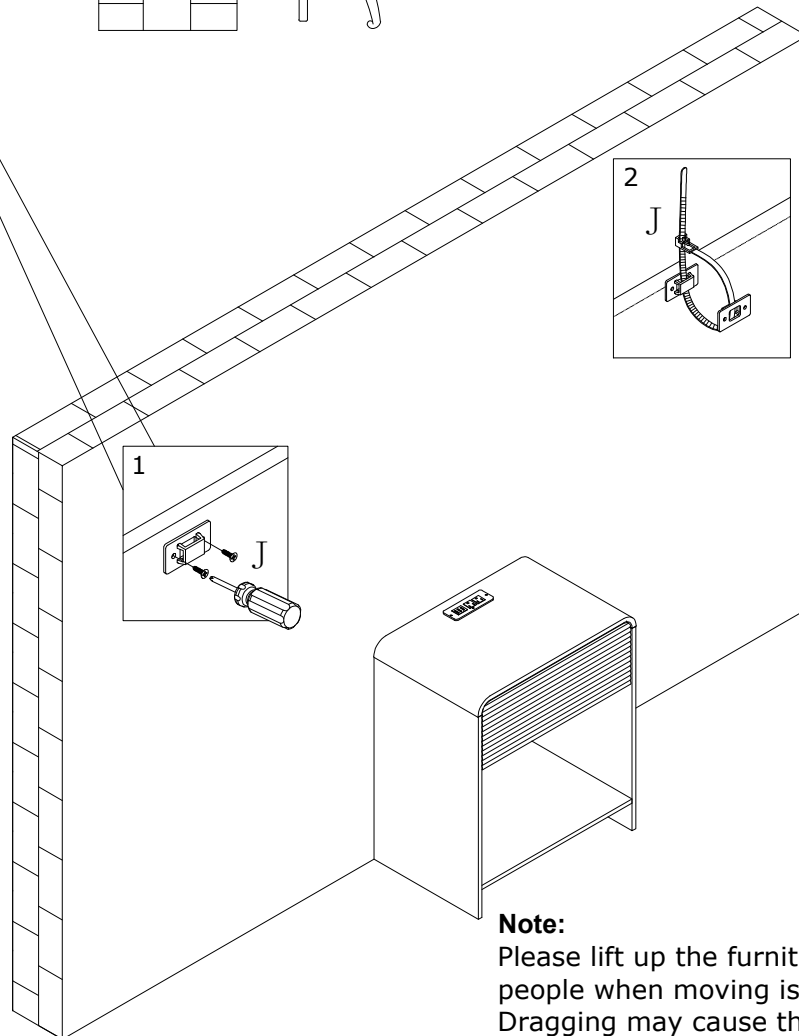
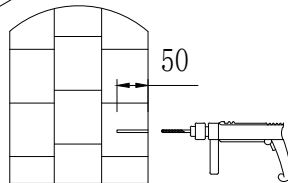
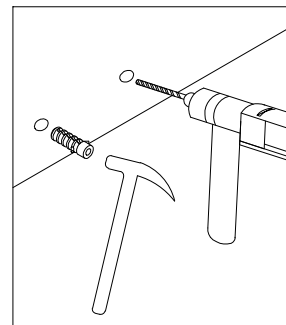
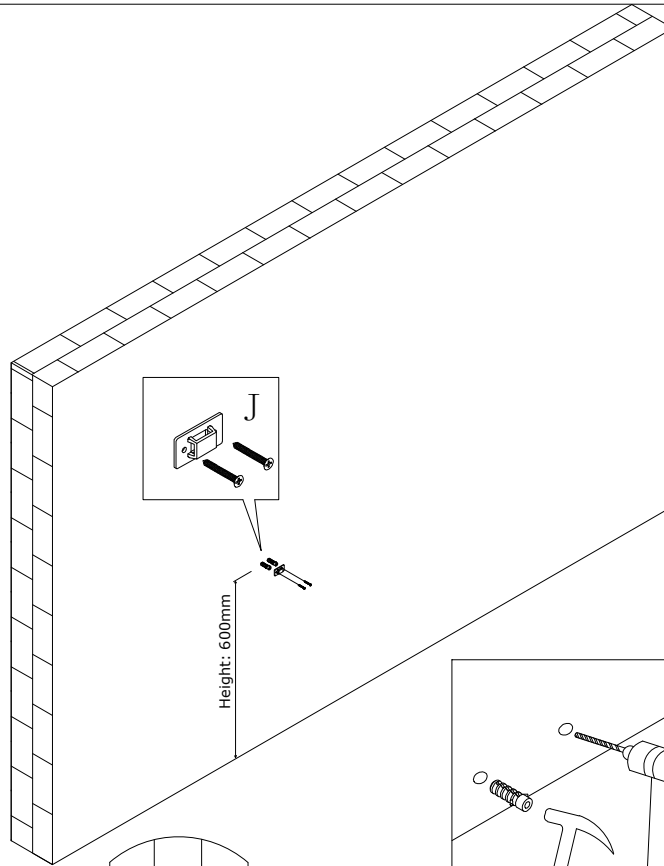
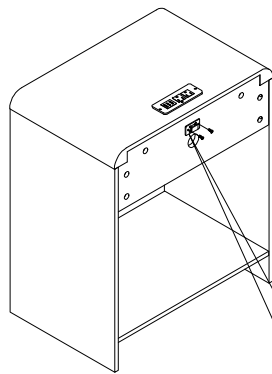
No. F
Quantity: 4 Pcs
M3.5*12mm



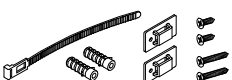
STEP 14



STEP 15



No. J
Quantity: 1 Sets



Note:
Please lift up the furniture by two people when moving is needed.
Dragging may cause the legs failure.