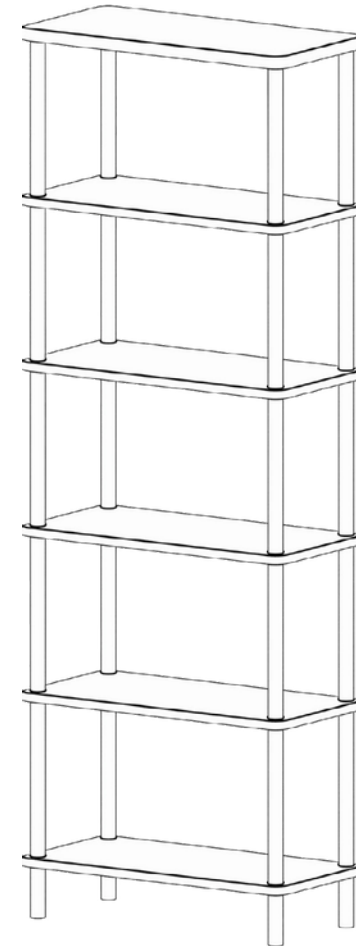


6 Shelf



In order for warranty conditions to be valid, please follow the instructions on the manual. For an easy and efficient assembly, we recommend placing all the parts on a flat surface and reading the manual carefully. Once placed, match all the parts with the instruction manual. Feel free to contact us through for all your queries.

Part List ↘

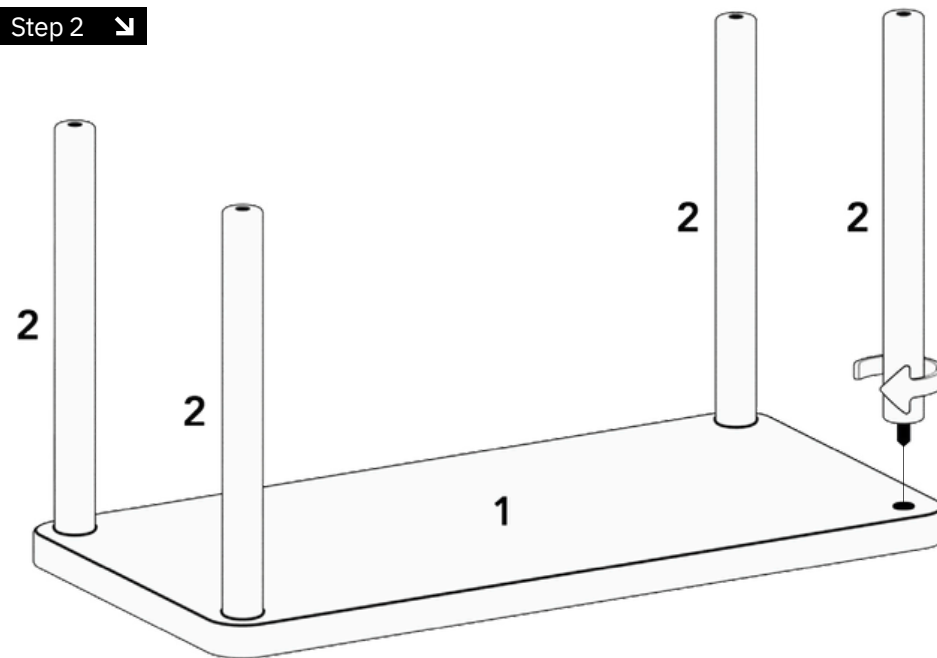
Part No	Piece
1	x1
2	x4
3	x5
4	x16
5	x4

Step 1 ↘ Remove the protective caps before assembly.

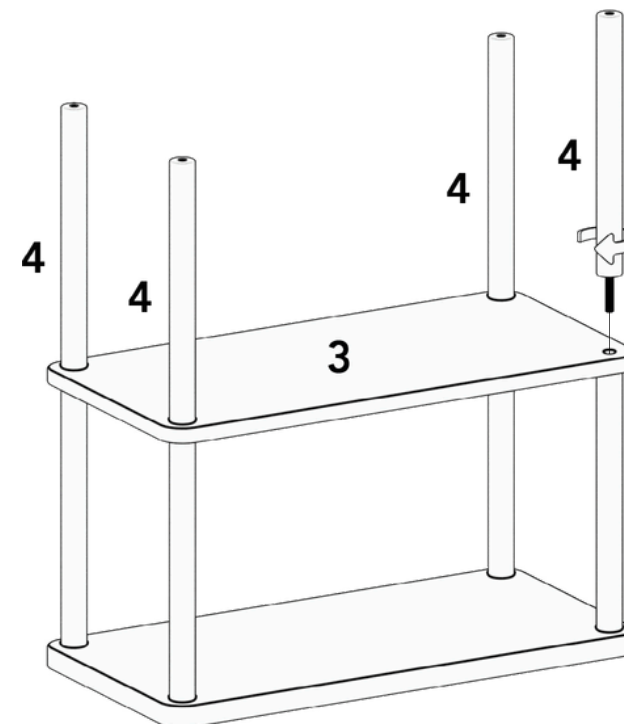


2

Step 2 ↘



Step 3 ↘



3