

*ASSEMBLY INSTRUCTIONS*  
*COASTER FINE FURNITURE*



*Fine Furniture for every stage of life*

**920177**

**TABLE LAMP**

ITEM : 920177

## ASSEMBLY INSTRUCTIONS

### ASSEMBLY TIPS:

- 1.Remove hardware from box and sort by size.
- 2.Please check to see that all hardware and parts are present prior to start of assembly.
- 3.Please follow attached instruction in the same sequence as numbered to assure fast & easy assembly.



### WARNING!

- 1.Don't attempt to repair or modify parts that are broken or defective. Please contact the store
- 2.This product is for home use only and not intended for commercial establishment.

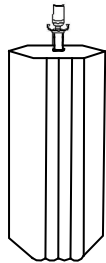
ASSEMBLY TIME

10 MINUTES

## PARTS IDENTIFICATION

B1:LAMP BODY

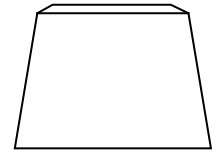
A LAMP BODY



1PC

B2:LAMP SHADE

C SHADE



1PC

B FINIAL



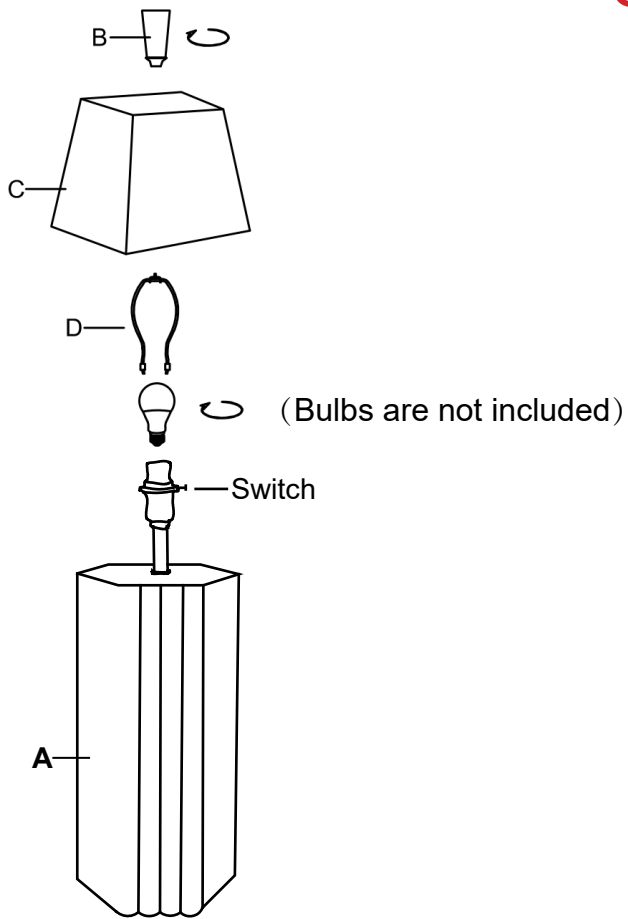
1PC

D HARP

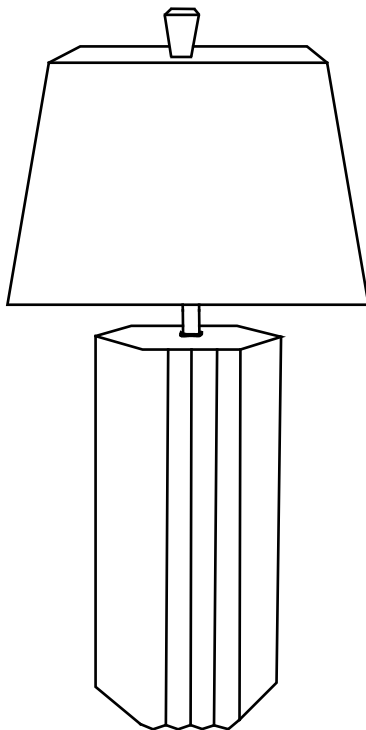


1PC

**ITEM : 920177**  
**ASSEMBLY INSTRUCTIONS**  
**STEP 1**



**STEP 2**



**TABLE LAMP: TYPE A LED BULB 9W**

