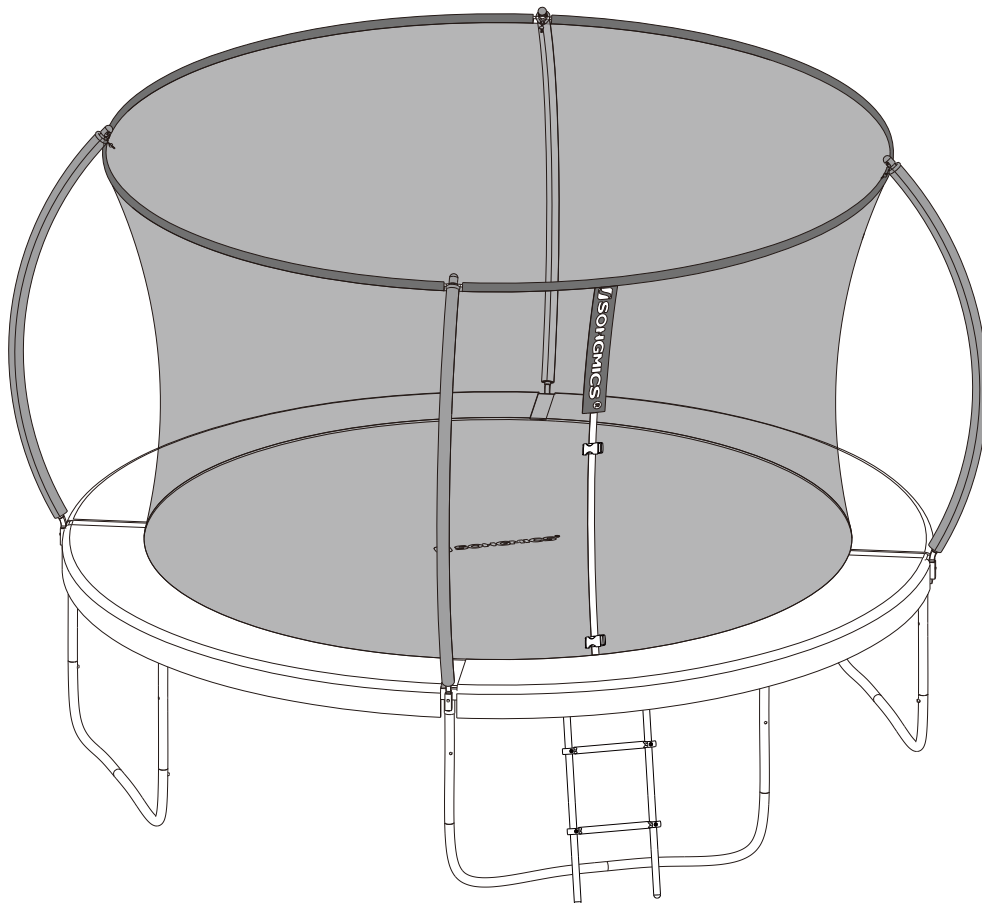


# STR10BK/102



## General Guidelines

- Please read the following instruction carefully and use the product accordingly.
- Please keep this manual and hand it over when you transfer the product.
- This summary may not include every detail of all variations and considered steps. Please contact us when further information and help are needed.

## Notes

- This product is suitable only for domestic use and is not intended for industrial or public use. It is not permissible to use against the above description or to alter and reproduce the product without authorization, and may result in injury and / or damage to the product. This product must be installed and used in strict accordance with the attached instructions. For damage resulted from the failure to comply with the provisions of the assembly and use, manufacturers do not assume any responsibility.
- This is a product for exercise. Do certain warm-up before use. Otherwise it may cause muscle strain, muscle exhaustion and other injury. Do not overestimate yourself. When you are tired, or when there is no strength in the legs, take a break. Otherwise it may cause serious injury.
- Weight for User:  $\leq 150$  kg
- Do not use the product if it is damaged or defective.
- Inspect whether the product is intact before every use. Defective parts must be replaced immediately as they can impair the function and the safety of the product.
- This manual contains assembly instructions, precautions and the care and maintenance recommendations of trampolines to ensure safe use and enjoyment of the trampoline.
- Before using the trampoline, or allowing someone to use the trampoline, all the precautions must be read and understood fully.
- It's the responsibility of the owner or supervisors to guarantee that all users of the trampoline are informed sufficiently of all warning references and safety instructions.
- All people who use the trampoline should be familiar with the recommendations given by the manufacturer for proper assembly, proper use and proper care and maintenance of the trampoline.
- We recommend making use of the safety enclosure net as we are not just selling trampolines, safety enclosure nets also included. Please note that the customer shall assume the risk of not using a safety enclosure net.
- Neither our company nor our manufacturers will be responsible or liable for any damage caused by the misuse of not following the safety instructions, any loss caused by theft, or loss caused by weather conditions, and other losses caused by other kinds of cases. If it was recognizable manufacturing defects or production defects, dealer will bear the corresponding responsibility.

## Assembly

- The assembly of the product must be done carefully and by 3 able-bodied adults. If in any doubt, ask a technically qualified person.
- Before you start with the assembly, please read the instructions carefully and check the assembly illustration.
- Remove all packing materials and lay down all parts on a free space. This gives you an overview and simplifies the assembly procedure.
- Check with the parts list that make sure no part is missing. Dispose of the packaging material when the assembly is complete.
- Create a danger free environment; for example, do not let tools lay around the workplace. Store the packaging material in a way that can not cause any danger. Foils or plastic bags are dangerous for children(danger of suffocation)!
- Beware that there is always a risk of injury when using tools or doing technical work. Therefore, assemble the product carefully.
- When assembling or disassembling, please wear gloves to protect your hands.
- The trampoline may be set up only on solid and flat ground.
- The trampoline should not be buried in the ground.
- If possible, put the trampoline on the lawn. Do not place it on a slippery surface!
- Trampolines shall neither be assembled over the concrete, asphalt or any other hard surface nor in the vicinity of other mutually conflicting facilities such as diving pools, swings, slides, climbing frames.
- Please pay attention to keep an appropriate and clear space over head or above the trampoline! A clear and free space of at least 9.5m is necessary above the trampoline. Do not use the trampoline in closed areas, in sheltered areas, or under trees. Please clear the surrounding tree branches, electric cables, etc. to avoid injury.
- Make sure there is enough horizontal activity space. The trampoline must keep a distance of at least 3m from the buildings, the walls, the fences or the electric cables.
- The metal frame of the trampoline will conduct electricity. Please assemble the trampoline away from all power supplies. All electrical equipment must never be allowed to come in contact with the trampoline.
- The trampoline in the vicinity of other recreational facilities and constructions must not be used.
- If the trampoline is placed in shadows or dark areas, make sure there is adequate lighting.
- Nothing may be placed under the trampoline.
- After assembling the product according to the instruction manual, please make sure that all screws, bolts and nuts are correctly assembled and tightened, and that

- all frame legs are mutually inserted together.
- Try to avoid moving the well assembled trampoline, because it could bend under the tension of the springs. If you have to do this, please consider the following:
- During transportation, at least 4 people must be evenly spaced around the trampoline to lift the trampoline off the ground.
- The trampoline must be carried horizontally.
- Be careful when moving the trampoline, otherwise the frames may be bent.
- If this happens, please arrange 4 people to restore the frame to its original shape.

## Usage

- Children can only use trampolines under the supervision of experienced adults with appropriate knowledge.
- Incorrect use and abuse of the trampoline are dangerous and can cause serious injury.
- Be aware of the fact that a trampoline's attached springs can generate tremendous elasticity and propel the person on the jumping mat to unusual heights and cause the body to move in a variety of unusual and extreme directions. Use the trampoline only if you are physically fit and know the danger that may arise during use.
- Use the product only on even, non-slippery and sturdy surface.
- Please empty your pocket before jumping. Do not carry any objects to the trampoline, and do not put anything on it.
- Do not wear any slippers or tennis shoes when jumping. Trampoline jumpers should be barefoot, or only wear socks or Gymnastic shoes. No firm shoes may be carried since they lead to excessive wear of the trampoline.
- No clothes with hooks or parts may be worn when jumping on the trampoline, in order to avoid hooks getting caught.
- Clothing should consist of a T-shirt and short trousers. Beginners can also wear loose protective clothing, such as long-sleeved shirts and training pants, until they can properly control the landing. This prevents wear on elbow and knee skin due to improper landing.
- Always keep the front opening door of the safety enclosure net closed before jumping.
- Do not eat during or just before jumping.
- For correct climbing on and off the trampoline, a fixed rule must be followed by beginning users. Therefore, you must always use the ladder that comes with the package to enter or leave the trampoline through the scheduled entrance. Do not jump directly onto the trampoline or jump down from the trampoline.
- Do not attempt to enter the trampoline by crawling from under the safety enclosure net.
- Do not jump from trees, balconies or other such high places on to the trampoline, and do not use the trampoline as a springboard.
- Never jump off directly from the trampoline to the ground, regardless of whether there being a soft mat on the ground.
- When climbing on or off the trampoline, children who use the trampoline need assistance. Always keep an eye on the ladder and hold the handle of the vertical bars on it when climbing on or off the trampoline, and ensure that there is a firm contact between the foot and the horizontal bar of the ladder.
- To climb on the trampoline correctly, put hands on the frames, climb onto the frames, cross the springs, and stand on the jumping mat.
- To climb off the trampoline correctly, go to the edge of the trampoline, sit down and then leave the trampoline through the ladder.
- The trampoline must not exceed the specified maximum load.
- Make sure that no more than one person is using the product at the same time. Two or more people jumping at the same time will increase the risk of injury!
- Always stay in the center of the jumping mat. Stop jumping immediately if you have moved more than 50cm from the center, and then get back to the center of the mat to resume jumping. This will reduce the risk of getting injured by landing on the spring guard mat.
- Do not stand on the spring guard mat since it is not intended to support the the weight of a person.
- To stop jumping, bend your knees when your feet come in contact with the jumping mat. Master this technique before trying newer ones.
- Master basic jumps before trying advanced skills. You can combine these basic moves in a variety of combinations with or without straight intermediate jumps to carry out various sequences on the trampoline.
- Avoid jumping too high. Keep your jumps low till you have sufficient control on your jumps and always land on the middle of the trampoline. Keep your eyes on the trampoline as it helps to control the jumps.
- Please only make easy and short rotation when jumping.
- Very serious injury (such as paralysis, fracture or death) may occur when landing on the head or neck. Especially jumping in the air performing somersaults will be particularly dangerous!
- Pay attention that do not let your arms and legs close to the parts of the body in movement. Do not insert any material into the existing opening edges of the product.
- Do not jump for such a long time without a break as exhaustion may cause you to have an accident.
- Jumpers should take turns jumping in a short time. Jump for a long time will increase the risk of injury.
- Do not use the trampoline under the influence of alcohol or drugs(incl. over the counter or prescription medication).
- Please only jump on a dry jumping mat! Using the trampoline in strong winds is not allowed. Wet mat and moist weather will cause risk of injury.
- Avoid the jumping mat in contact with sharp objects.
- No one under the trampoline. Trampolines do not provide weather protection!
- When using a trampoline outdoors, the wind or air movement should be calm or slight. Do not use it under strong wind.

- In winter of some countries, the snow load and very low temperatures may destroy the trampoline. It is recommended to regularly clear the snow and store the safety enclosure net and jumping mat indoor and keep dry.
- Do not use a trampoline when damage or an abnormality is detected or when it can not meet the conditions. Please ensure that sports equipment shall not be used until returned to their condition.
- The owner of the trampoline is responsible for ensuring that all users are familiar with the instructions in this manual.

## Care and Maintenance

- The trampoline is made of high quality material. If you care and maintain it correctly, you will be satisfied with it for many years. Please pay attention to these maintenance instructions.
- Do not make any structural changes.
- Check all springs or bolts connections regularly and tighten them if necessary to prevent them from being lost when used.
- Check regularly whether the spring guard mat is fixed in place.
- If sharp edges or corners develop, the product may not be used any more.
- Check the trampoline for any missing parts, damage and traces of wear and tear before and after each use. Defective or missing parts must be replaced immediately.
- Weather such as direct sunlight, rain, snow and extreme temperatures can damage the jumping mat, spring guard mat and safety enclosure net. Please check regularly whether these parts have been damaged and whether they are still able to withstand the weight of the user. Please replace the jumping mat and spring guard pad when damage occurs.
- For your own safety, use the original spare parts only, which can be sourced from Songmics. If in any doubt, please contact our service team.
- Protect products from splashing, damp, high temperature and direct sunlight. If you do not use the trampoline, we recommend you use a suitable protective cover to protect the trampoline from weather effects. If exposed outside without protection, the damage that occurs will not be covered by the warranty.
- Severe winds can blow away the trampoline. Please note that if severe winds are expected, please move the trampoline to a sheltered location or take it apart. The safety enclosure net and trampolines may play a similar role as sails, causing danger to other objects and people.
- Keep the trampoline safe from impermissible access when not in use. The supervisor must remove the ladder when leaving the trampoline area so that unsupervised children under 6 years do not get on the trampoline.
- Trampolines should always be stored in a cool and dry place, or also in the original cartons. Lubricate all joints for protection before storage.
- Store the product in a safe and weatherproof place to avoid damage or injury to the product or people.
- Please note that the detergent, water temperature and washing method you use is appropriate. We recommend that users should gently wipe off with warm water and a soft brush.

## Warnings Danger for Children

- WARNING! Trampolines over 50cm (20inch) in height are not recommended for children under 6 years of age! Children do not recognize the potential dangers from this product. Keep children away from this product.
- Trampolines are not toys. The product has to be stored out of reach of children and pets.
- Be aware that the packaging material is not suitable for children! There is danger of suffocation!

## Risk of Injury

- Using of the trampoline can, as in all active leisure kinds of sports, lead to injury. Even landings on the jumping mat can lead to injury, especially to the back, neck or head.
- Do not land on the head or neck. There is the risk of paralyzing death, even landing in the middle of the trampoline. Do not attempt to somersault to avoid the risk of landing on head or neck.
- Trampolines are jumping devices, enabling the user to jump into unusual heights as well as into a multiplicity of body movements. Jumping from the trampoline, hitting the frames or springs, or incorrect landing on the trampoline can lead to injury.
- Make sure that no more than one person is using the product at the same time. If more than one person jump on the trampoline and lose control of their trajectory, the possibility of an injury increases that users may collide or fall off of the trampoline. This may lead to injury of skull, neck, back or legs.
- The trampoline can only be used under the guidance of experienced people or proven instruction manual. Do not use the trampoline without supervision, regardless of age or experience.
- Always follow the safety and warning instructions of the trampoline. Use of the trampoline may lead to a serious risk of injury, including permanent injury, such as paralysis or even death.
- Product defects are announced immediately by the dealer, manufacturer or importer, and shall be fixed immediately for further use. The buyer or user of the trampoline has to inspect the device regularly for wear or damage.
- The safety enclosure net and trampolines are likely to play a similar role as sails. At times when this happens, it will cause a very large force and "floated" trampoline will be a great danger to other objects and people. Under the weather effect of heavy thunderstorms and violent wind, the trampoline should be fixed

- well to prevent being blown away. Therefore, a sufficient number of anchorages are required (no less than one per leg; not included in the package) to ensure using the appropriate fixing material. Alternatively, you should move the trampoline into a protected area or disassemble it. In the case of bad weather, we are not responsible for the damage in the case that the trampoline had not been fixed thoroughly.

## For the Supervisor

- Obey all safety rules and make yourself familiar with the information in the user manual.
- All users of the trampoline need a supervisor, regardless of the age and the experience of the user.
- Trampoline can only be used when the jumping mat is clean and dry. A jumping mat with wear or damage must be replaced immediately.
- Objects, which could be dangerous to the user, should be vacated from the area.
- Do not carry pets on the jumping mat to protect the health of your animal and jumping mat.
- Avoid unauthorized and unsupervised use of the trampoline.
- Ensure that the user enters the trampoline through the safety enclosure net as the warning signs on the spring guard mat are readable.

## For the Jumpers

- Do not use trampolines under the influence of alcohol or drugs (incl. over the counter or prescription medication).
- Please study the fundamental jump and body positions carefully before trying difficult jumps.
- Stop rebounding by bending your knees when your feet come to contact to the jumping mat.
- This technique should be practiced while you are learning the balance and control of previous manoeuvre. If you always lose balance in jumping or if you are just learning the basic on how to jump on a trampoline, then you should learn how to control your weight distribution. A controlled jump is considered landing on the same spot that you took off from. If you do lose control when you are jumping on the trampoline, bend your knees sharply when you land and this will allow you regain control and stop your jumping.
- Please take turns jumping and pay attention to other users.
- For further information or exercise documents, please turn to a trained trampoline teacher. Use of the trampoline, as in all active leisure kinds of sports, may lead to injury. But there are ways to reduce the risk of injury. In the following sections, the basic cause of accidents are emphasized and tips are given regarding the responsibility of supervisors and users to avoid accidents.

## Accident Categories

- Somersaults: Landing on the head or neck, even if it may happen in the center of the trampoline, increases the risk of neck and back injury, which can lead to paralysis and even death. This can occur if the user makes an error and falls forward or backward. No somersaults should be attempted on the trampoline.
- The probability of an injury increases if more than one person jumps on the trampoline and loses control of their jump. Users may collide with each other, fall off of the trampoline, fall on the springs, or land wrongly on the jumping mat. Smaller users will be more easily hurt in that case.
- Climbing on and off the trampoline: The jumping mat is approximately a meter above the ground. Jumping off the trampoline on to the floor or another surface can lead to injury. Jumping on the trampoline from a building roof, a terrace or other objects can lead to injury. Small children need assistance when climbing on and off the trampoline. Be careful when climbing on and off the trampoline. Do not step on the springs or spring guard mat. Do not use the spring guard mat for climbing on and off the trampoline.
- Hitting the frames or springs: It can lead to injury by hitting the frames or falling into the springs when jumping up and down on the trampoline. Please stay in the center of the mat when jumping. Make sure the spring guard mat remains in place and cover the frames and springs. The spring guard mat is not intended to support the weight of a person. Do not step onto or jump directly to the spring guard mat.
- Loss of control: When users lose control of their jump, they can land on the jumping mat in the wrong way, or land on the frames or springs, or fall off of the trampoline. A controlled jump is one where the jumper lands and jumps from the same spot. Before a more difficult jump maneuver is practiced, the basic controlled jump should be mastered perfectly and continuously. If trying a jump maneuver that exceeds the abilities of the jumper, there is a danger of losing control. In order to regain control of the jump and land correctly, knees should be completely bent upon landing.
- Under the influence of drugs or alcohol: The possibility of injury rises, if the user is under the influence of drugs or alcohol. These substances weaken the response, faculty of judgment, spatial awareness, coordination and motor functions of the concerned users.
- Collision with objects: The possibility of injury will increase, if other people, animals or objects are under the trampoline in the jump, jumping on the trampoline while carrying sharp or fragile objects, or placing the trampoline too close to electric cables, tree branches or other obstacles.
- Poor maintenance of the trampoline: Users can hurt themselves if the trampoline is in bad condition. A torn jumping mat, a bent frame, missing springs or missing spring guard mat must be replaced before using the trampoline. The trampoline should be examined before each use.
- Weather conditions: A wet jumping mat is too slippery for safe jumping. Gusting or heavy winds can lead to a loss of control when jumping. In order to lower the possibility of an injury, the trampoline should be only used under suitable weather conditions.

## Methods of Accident Prevention

### Role of the User in Prevention Accidents

- A basic knowledge of the trampoline by the user is essential for security.
- All users of the trampoline must learn firstly how to accomplish a low controlled jump as well as the fundamental landing positions and combinations before turning to advanced jump exercises.
- Users need to understand why they must firstly control their jump before they practice other movements.
- A controlled jump is one where you can land and take off from the same location.
- The first lesson is the understanding of the correct order in developing jumping skills on a trampoline.
- For further information or exercise materials, please turn to a trained trampoline teacher.

## Role of the Supervisor in Prevention Accidents

- It lies in the responsibility of the supervisor to guarantee that the users use the trampoline under a reasonable and experienced supervision.
- Rules and warnings in this manual must be applied and known by the users of the trampoline in order to reduce the possibility of accidents and injury.
- In the case that supervision is not possible or sufficient, the trampoline should be taken apart and stored in a secured place to guard against unauthorized use.



## Einleitung

- Bitte lesen Sie die folgende Anleitung aufmerksam durch und verwenden Sie das Produkt sachgemäß.
- Bewahren Sie diese Anleitung gut auf und händigen Sie sie bei Weitergabe des Produkts an Dritte ebenfalls mit aus.
- Aus Gründen der Übersicht können nicht alle Details zu allen Varianten und denkbaren Montagen beschrieben werden. Wenn Sie weitere Informationen und Hilfe benötigen, kontaktieren Sie uns bitte.

## Hinweise

- Das Produkt ist nur für den Hausgebrauch im Außenbereich und nicht für eine gewerbliche/öffentliche Nutzung geeignet. Montieren und verwenden Sie das Trampolin nur wie in dieser Anleitung beschrieben. Eine andere Verwendung oder eine technische Veränderung sowie der Umbau des Produktes ist nicht erlaubt und kann zu Verletzungen und/oder Beschädigungen des Trampolins führen. Der Händler übernimmt keine Haftung für Schäden, die durch unsachgemäßen Gebrauch oder falsche Montage entstanden sind.
- Machen Sie vor der Verwendung des Trampolins Aufwärmübungen. Andernfalls kann es zu Muskeldehnungen, -zerrungen und sonstigen Verletzungen kommen. Überschätzen Sie sich nicht. Machen Sie eine Pause, wenn Sie müde sind oder die Kraft in den Beinen nachlässt. Schnell kann es andernfalls zu schweren Verletzungen kommen.
- Körpergewicht des Benutzers:  $\leq 150$  kg
- Benutzen Sie das Produkt nicht, wenn es defekt oder beschädigt ist.
- Überprüfen Sie das Produkt vor jeder Benutzung auf einen einwandfreien Zustand. Defekte Teile müssen sofort ausgetauscht werden, da sonst die Funktion und Sicherheit des Trampolins beeinträchtigt wird.
- In diesem Handbuch sind die Aufbauanleitung, Vorsichtsmaßnahmen sowie Empfehlungen für die Pflege und Wartung des Trampolins enthalten. Beachten Sie diese Hinweise, um Ihre Sicherheit zu gewährleisten und noch lange Freude an diesem Gerät zu haben.
- Lesen Sie sich vor der Benutzung des Trampolins alle Anweisungen sorgfältig durch und erlauben Sie anderen Personen vorher nicht, das Gerät zu verwenden.
- Es liegt in der Verantwortung des Eigentümers, Besitzers oder der Aufsichtsperson, sicherzustellen, dass alle Benutzer des Trampolins ausreichend über alle Warnhinweise und Sicherheitsanforderungen informiert sind.
- Alle Personen, die das Trampolin verwenden, müssen sich mit den Empfehlungen des Herstellers für den richtigen Zusammenbau, den richtigen Gebrauch und die richtige Pflege des Trampolins vertraut machen.
- Wir empfehlen Ihnen, bei Gebrauch des Trampolins ein Sicherheitsnetz zu benutzen. Dieses ist im Lieferumfang unseres Produktes enthalten. Beachten Sie bitte, dass der Käufer die Kosten für eventuelle Schäden, die durch den Nichtgebrauch des Sicherheitsnetzes entstanden sind, selbst übernehmen muss.
- Händler und Hersteller übernehmen keine Haftung für Schäden, die durch die Nichtbeachtung der Sicherheitshinweise, Diebstahl, Witterungseinflüsse oder ähnliche nicht von ihnen zu verantwortende Umstände entstanden sind. Der Händler haftet jedoch für offensichtliche Fertigungs- oder Herstellungsmängel.

## Zur Montage

- Die Montage des Produktes muss sorgfältig und von drei kräftigen erwachsenen Personen vorgenommen werden. Nehmen Sie im Zweifelsfall die Hilfe einer weiteren, technisch versierten Person in Anspruch.
- Bevor Sie mit dem Zusammenbau des Produktes beginnen, lesen Sie die Aufbausritte sorgfältig durch und sehen Sie sich die Bauzeichnung an.
- Entfernen Sie sämtliches Verpackungsmaterial und legen Sie dann die einzelnen Teile auf eine freie Fläche. Dies verschafft Ihnen einen Überblick und erleichtert das Zusammenbauen.
- Überprüfen Sie nun anhand der Teilleiste, ob alle Bauteile vorhanden sind. Entsorgen Sie das Verpackungsmaterial erst, wenn die Montage abgeschlossen ist.
- Sorgen Sie für eine gefahrenfreie Arbeitsumgebung. Lassen Sie z.B. kein Werkzeug frei zugänglich herumliegen. Deponieren Sie das Verpackungsmaterial so, dass keine Gefahren hiervon ausgehen. Folien oder Kunststofftüten bergen eine Erstickungsgefahr für Kinder!
- Beachten Sie, dass bei der Benutzung von Werkzeug und bei handwerklichen Tätigkeiten immer eine mögliche Verletzungsgefahr besteht. Gehen Sie daher sorgfältig und umsichtig bei der Montage des Produktes vor.

- Verwenden Sie zum Schutz Ihrer Hände bei der Montage oder Demontage des Trampolins Handschuhe.
- Nutzen Sie das Trampolin nur auf einem festen und ebenen Untergrund.
- Das Trampolin ist nicht dafür geeignet, in den Boden eingelassen zu werden.
- Stellen Sie das Trampolin möglichst auf einer Wiese oder einem Rasen auf. Wählen Sie zudem keinen rutschigen Untergrund aus.
- Die Oberfläche unter dem Trampolin sollte nicht aus Beton, Asphalt oder ähnlich harten Materialien bestehen. Auch die unmittelbare Nähe zu anderen Freizeitobjekten (z.B. Schwimmbecken, Schaukel, Rutsche, Klettergerüst) ist zu meiden.
- Mit dem Trampolin können große Höhen erreicht werden. Aus diesem Grund sollte mindestens 9,5 m freier Raum über dem Gerät vorhanden sein. Verwenden Sie das Trampolin nicht in geschlossenen Räumen, unter Unterständen oder Bäumen. Entfernen Sie Äste, Drähte und ähnliche Hindernisse im Umfeld, um Verletzungen vorzubeugen.
- Achten Sie auch auf eine ausreichende horizontale Bewegungsfreiheit. Das Trampolin muss mindestens 3 m von Gebäuden, Mauern, Zäunen oder elektrischen Leitungen entfernt aufgestellt werden.
- Das Trampolin besteht unter anderem aus Metall, welches Strom leiten kann. Bauen Sie es daher weit entfernt von Stromleitungen auf. Auch andere elektrische Anlagen sollten mit dem Trampolin nicht in Berührung kommen.
- Stellen Sie das Trampolin nicht in der Nähe anderer Freizeitgeräte und -konstruktionen auf.
- Falls das Trampolin an einem schattigen oder dunklen Ort aufgestellt ist, sollten Sie für eine ausreichende Beleuchtung sorgen.
- Es dürfen sich keine Gegenstände unter dem Trampolin befinden.
- Vergewissern Sie sich, nachdem Sie das Produkt gemäß der Bedienungsanleitung aufgebaut haben, dass sämtliche Schrauben, Bolzen und Muttern richtig angebracht und festgezogen sind. Auch die Rahmenrohre müssen korrekt miteinander verbunden sein.
- Vermeiden Sie es, das Trampolin im aufgebauten Zustand zu transportieren, da es sich hierbei aufgrund der Spannung der Federn verformen könnte. Sollte ein Transport dennoch notwendig werden, beachten Sie bitte Folgendes:
- Beim Transport sollten sich mindestens 4 Personen gleichmäßig um das Trampolin verteilen, um den Rahmen anzuheben.
- Das Trampolin muss horizontal transportiert werden.
- Beim Transport ist besondere Vorsicht geboten, um den Rahmen vor Verformungen zu schützen.
- Sollte dies dennoch passieren, so sollten die 4 Transportpersonen den Rahmen wieder in seine Ausgangsform zurückführen.

## Zur Benutzung

- Kinder dürfen das Trampolin nur unter Aufsicht eines Erwachsenen mit entsprechenden Kenntnissen verwenden.
- Eine falsche Benutzung sowie der Missbrauch des Trampolins sind gefährlich und können zu schweren Verletzungen führen.
- Das Trampolin lässt den Springer in ungewohnte Höhe gelangen und sorgt für eine Vielfalt an neuartigen und extremen Körperbewegungen. Nutzen Sie das Trampolin nur, wenn Sie sich körperlich fit fühlen und sich über mögliche Gefahren bei der Verwendung im Klaren sind.
- Benutzen Sie das Produkt immer nur auf einem ebenen, rutschfesten und stabilen Untergrund.
- Leeren Sie vor dem Springen Ihre Taschen. Nehmen Sie keine Gegenstände mit auf die Sprungfläche und legen Sie diese auch nicht dort ab.
- Tragen Sie beim Springen keine Straßen- oder Sportschuhe. Trampolinspringer sollten nur ohne Schuhe springen.
- Es darf beim Springen keine Kleidung mit Accessoires getragen werden, die sich in der Sprungmatte verhaken oder verfangen könnten.
- Die Kleidung muss aus einem T-Shirt und kurzen Hosen bestehen. Anfänger können auch locker sitzende Schutzkleidung wie Langarmhemden und Trainingshosen tragen, bis sie die Landung richtig beherrschen. Dadurch werden Hautabschürfungen durch eine falsche Landung auf den Ellbogen und Knien verhindert.
- Schließen Sie vor dem Springen stets die Öffnung des Sicherheitsnetzes.
- Essen Sie während des Springens nicht.
- Richtiges Auf- und Absteigen muss von Anfang an eine feste Regel sein: Betreten oder Verlassen Sie das Trampolin nur durch den vorgesehenen Ausstieg unter Verwendung der mitgelieferten Leiter. Springen Sie nicht vom Trampolin ab oder auf das Trampolin auf.
- Versuchen Sie nicht, unter das Sicherheitsnetz zu kriechen, um in den Innenraum des Trampolins zu gelangen.
- Springen Sie nicht von Bäumen, Balkonen oder ähnlichem auf das Trampolin und nutzen Sie es nicht als Sprungbrett.
- Springen Sie NIE direkt vom Trampolin auf den Boden. Auch dann nicht, wenn es sich z.B. um eine weiche Unterlage handelt.
- Kinder, die das Trampolin benutzen, benötigen Hilfe beim Auf- und Absteigen. Betreten oder verlassen Sie das Trampolin immer mit einem Blick auf die Stufen der Leiter und den Händen am Geländer. Stellen Sie ferner sicher, dass Ihre Füße stets Kontakt mit den Leitersprossen haben.
- Um das Trampolin richtig zu betreten, umfassen Sie zunächst mit beiden Händen den Rahmen des Gerätes. Steigen oder rollen Sie sich dann auf den Rand und gelangen Sie über die Federn des Trampolins auf die Sprungmatte.
- Um richtig abzusteigen, betreten Sie zunächst den Rand des Trampolins. Setzen Sie sich anschließend auf den Rahmen und verlassen Sie das Gerät dann über die Leiter.
- Das Trampolin darf nur mit einem Maximalgewicht von bis zu 150 kg belastet werden.
- Eine gleichzeitige Verwendung des Trampolins durch zwei oder mehr Personen ist nicht erlaubt. Durch mehrere Personen auf der Sprungfläche erhöht sich die Gefahr von Verletzungen!
- Beginnen Sie mit dem Springen immer in der Mitte der Sprungmatte und brechen Sie sofort ab, wenn Sie weiter als 50 cm außerhalb der Mitte landen. Starten Sie dann erneut im Zentrum des Trampolins.
- Stellen Sie sich nicht direkt auf das Rahmenpolster, da dieses nicht dafür ausgelegt ist, Ihr Körpergewicht zu tragen.
- Beenden Sie das Springen durch Beugen der Knie, wenn Sie mit den Füßen wieder auf der Sprungmatte landen. Üben Sie dies ausreichend, bevor Sie andere Möglichkeiten ausprobieren!
- Lernen Sie erst die Grundsprünge, bevor Sie sich an weiteren Sprungfiguren versuchen. Sie können die Grundübungen variieren, indem Sie diese in verschiedenen Kombinationen oder Reihenfolgen (mit und ohne Standsprünge) ausführen.
- Vermeiden Sie es, zu hoch zu springen, bis Sie das kontrollierte Springen und Landen in der Mitte Ihres Trampolins beherrschen. Schauen Sie beim Springen immer auf das Trampolin. Dies hilft Ihnen, die Kontrolle zu behalten.

- Machen Sie beim Springen nur leichte, kurze Drehungen.
- Beim Landen auf Kopf oder Genick können sehr schwere Verletzungen (z.B. Lähmungen, Brüche oder schlimmstenfalls Tod) entstehen. Gerade Saltosprünge sind besonders gefährlich!
- Achten Sie darauf, dass Ihre Arme und Beine beim Springen nicht in die Nähe von beweglichen Gegenständen kommen. Stecken Sie keine Gegenstände in Öffnungen des Produktes.
- Springen Sie nicht zu lange, um Unfälle durch Müdigkeit zu vermeiden.
- Lassen Sie die Springer jeweils abwechselnd für kurze Zeit springen. Ein zu langes Springen setzt die Nutzer des Trampolins einer erhöhten Verletzungsgefahr aus.
- Das Trampolin darf nicht unter Alkohol- oder Drogeneinfluss genutzt werden.
- Springen Sie nur auf einer trockenen Sprungmatte! Bei starkem Wind dürfen Sie das Trampolin nicht benutzen. Sowohl im Falle einer feuchten Matte als auch bei Regen besteht Verletzungsgefahr!
- Die Sprungmatte darf nicht mit spitzen oder scharfen Gegenständen in Berührung kommen.
- Es dürfen sich keine Personen unter dem Trampolin aufhalten, um sich etwa vor Regen zu schützen. Das Trampolin bietet keinen Witterungsschutz!
- Die Benutzung des Trampolins im Freien sollte nur bei Windstille oder leichtem Wind erfolgen. Benutzen Sie das Trampolin bei starkem Wind nicht.
- Schneefall und niedrige Temperaturen können das Trampolin beschädigen. Es wird daher empfohlen, Schnee regelmäßig zu entfernen und die Sprungmatte sowie das Sicherheitsnetz bei kühlen Temperaturen im Innenbereich trocken zu lagern.
- Stellen Sie Schäden oder andere Auffälligkeiten an Ihrem Trampolin fest oder sind die oben genannten Voraussetzungen nicht erfüllt, so darf das Gerät nicht verwendet werden. Sichern Sie das Sportgerät solange gegen eine weitere Verwendung, bis die Bedingungen für eine ordnungsgemäße Nutzung wieder hergestellt sind.
- Der Eigentümer des Trampolins ist dafür verantwortlich, dass alle Benutzer mit dieser Anleitung vertraut sind.

## Zur Pflege und Wartung

- Das Trampolin wurde aus hochwertigem Material gefertigt. Wenn Sie es richtig pflegen und warten, werden Sie jahrelang Freude damit haben. Beachten Sie dazu bitte diese Pflegehinweise.
- Nehmen Sie keine baulichen Veränderungen an dem Gerät vor.
- Überprüfen Sie die Verbindungsstellen aller Federn und Bolzen regelmäßig. Ziehen Sie sie fest, wenn es nötig ist, um ihren Verlust bei der Benutzung zu vermeiden.
- Überprüfen Sie regelmäßig die ordnungsgemäße Positionierung der Rahmenpolsterung.
- Sollten Teile beschädigt sein oder scharfe Ecken und Kanten aufweisen, darf das Produkt nicht mehr verwendet werden.
- Überprüfen Sie das Trampolin vor und nach jedem Gebrauch auf Schäden und Verschleiß. Fehlerhafte oder fehlende Teile müssen sofort ersetzt werden.
- Witterungseinflüsse wie direktes Sonnenlicht, Regen, Schnee und extreme Temperaturen können Sprungmatte, Rahmenpolster und Sicherheitsnetz beschädigen. Bitte prüfen Sie diese Teile daher regelmäßig auf Beschädigungen und darauf, ob sie das Gewicht des Nutzers noch tragen/abfangen können. Tauschen Sie die genannten Teile gegebenenfalls aus.
- Verwenden Sie zu Ihrer eigenen Sicherheit nur Original-Ersatzteile. Diese können Sie von SONGMICS beziehen. Nehmen Sie im Zweifel mit unserem Serviceteam Kontakt auf.
- Schützen Sie das Produkt vor Wasserspritzern, Feuchtigkeit, hohen Temperaturen und direkter Sonneneinstrahlung. Wenn Sie das Trampolin nicht nutzen, empfehlen wir, es mit einer geeigneten Abdeckung vor Witterungseinflüssen zu schützen. Erfolgt dies nicht, kann es zu wetterbedingten Schäden kommen, die von der Gewährleistung nicht abgedeckt sind.
- Bei starkem Wind und Sturm kann das Trampolin umkippen. Achten Sie darauf, wenn Sie windiges Wetter erwarten, das Trampolin in einen geschützten Bereich zu bringen oder zu demontieren. Sowohl das Sicherheitsnetz als auch das Trampolin können wie ein Segel wirken und so eine Gefahr für andere Gegenstände und Personen darstellen.
- Wenn Sie das Trampolin längere Zeit nicht verwenden, sollten Sie es vor unerlaubtem Gebrauch schützen, und auch die Leiter entfernen, um den unbeaufsichtigten Zugang von Kindern unter 6 Jahren zu vermeiden.
- Das Trampolin sollte stets trocken und kühl gelagert werden. Hierzu können Sie auch den Originalkarton verwenden. Fetten oder ölen Sie alle Steckverbindungen vor der Einlagerung zum Schutz leicht ein.
- Lagern Sie das Produkt an einem sicheren, witterungsgeschützten Ort, sodass weder das Trampolin beschädigt, noch Personen verletzt werden können.
- Achten Sie bitte darauf, dass die verwendeten Reinigungsmittel, die Wassertemperatur und die Waschmethode geeignet sind. Wir empfehlen Ihnen, den Schmutz mit warmem Wasser und einer weichen Bürste zu entfernen.

## Warnhinweise

### Gefahr für Kinder

- Warnung! Trampoline mit einer Höhe über 0,5 m sind für Kinder unter 6 Jahren nicht geeignet. Kinder erkennen nicht die Gefahr, die von diesem Produkt ausgehen kann. Halten Sie Kinder daher von diesem Gerät fern.
- Das Produkt sollte an einem Ort aufbewahrt werden, der für Kinder und Haustiere unzugänglich ist.
- Achten Sie darauf, dass das Verpackungsmaterial nicht in Kinderhände gelangt! Es besteht Erstickungsgefahr!

### Verletzungsgefahr

- Die Benutzung des Trampolins kann zu Verletzungen führen. Selbst bei Landungen auf der Sprungmatte kann es zu Verletzungen, speziell zu Rücken-, Hals- oder Kopfverletzungen kommen.
- Nicht auf dem Kopf oder Nacken landen. Es besteht die Gefahr von einer Lähmung mit Todesfolge, selbst, wenn in der Trampolinmitte gelandet wird. Keine Saltos

(Überschläge) versuchen, um die Gefahr einer Kopf- oder Nackenlandung zu vermeiden.

- Trampoline sind Sprunggeräte, die den Springer in ungewohnte Höhen schleudern sowie in eine Vielzahl von Körperbewegungen versetzen können. Ein Springen vom Trampolin, Auftreffen auf den Rahmen oder die Federn oder eine falsche Landung auf der Trampolinmatte kann zu Verletzungen führen.
- Es darf nur jeweils eine Person das Trampolin verwenden. Falls mehr als eine Person gleichzeitig auf dem Trampolin springt und ein Kontrollverlust eintritt, steigt die Gefahr eines Zusammenstoßens oder Herunterfallens. Das kann zu Schädel-, Hals-, Rücken- oder Beinbrüchen führen.
- Benutzen Sie das Trampolin nur unter der Aufsicht erfahrener Personen und nach der Bedienungsanleitung. Keine Person sollte das Trampolin unbeaufsichtigt benutzen, gleichgültig wie alt oder wie erfahren die Person ist.
- Es sollten immer die Sicherheitshinweise für das Trampolin beachtet und befolgt werden. Bei der Benutzung des Trampolins besteht schwere Verletzungsgefahr, einschließlich bleibender Schäden, wie Querschnittslähmung oder sogar Tod.
- Erkennbare Produktionsfehler müssen sofort gemeldet und vor eine weiteren Benutzung umgehend repariert werden. Der Käufer/Nutzer des Trampolins hat das Gerät regelmäßig auf Verschleiß oder Beschädigung zu untersuchen.
- Sowohl das Sicherheitsnetz als auch das Trampolin können wie ein Segel wirken. Dabei entstehen sehr große Kräfte und ein „umherfliegendes“ Trampolin stellt eine große Gefahr für andere Gegenstände und Personen dar. Bei Sturm oder heftigem Wind sollte das Trampolin gegen Wegwehen gesichert werden. Dazu sind ausreichend viele Verankerungen (nicht weniger als eine pro Standbein; nicht im Lieferumfang enthalten) notwendig, um sicherzustellen, dass das entsprechende Befestigungsmaterial verwendet wird. Alternativ sollten Sie das Trampolin in einen windgeschützten Bereich bringen oder demontieren. Wir haften nicht für Schäden durch nicht ausreichend gesicherte Trampoline bei starkem Wind und Sturm.

## Für die Aufsichtsperson

- Setzen Sie alle Sicherheitsregeln um und machen Sie sich mit den Informationen im Benutzerhandbuch vertraut.
- Alle Trampolinbenutzer brauchen eine Aufsichtsperson, unabhängig vom Alter und der Fähigkeiten des Springers.
- Das Trampolin nur verwenden, wenn die Sprungmatte sauber und trocken ist. Eine verschlissene oder beschädigte Sprungmatte müssen Sie sofort ersetzen.
- Objekte, die den Springer behindern, müssen aus dem Weg geräumt werden.
- Lassen Sie keine Haustiere auf der Sprungmatte, um die Gesundheit Ihres Tieres und die Sprungmatte zu schützen.
- Das Trampolin muss gegen unbefugte und unbeaufsichtigte Nutzung gesichert werden.
- Stellen Sie sicher, dass der Benutzer das Trampolin durch den Eingang im Sicherheitsnetz betritt, da so die Warnhinweise auf der Randabdeckung lesbar sind.

## Für den Springer

- Verwenden Sie das Trampolin nicht unter Einfluss von Alkohol, Drogen oder Medikamenten.
- Lernen Sie die grundlegenden Sprung- und Körperstellungen sorgfältig, bevor Sie schwierige Sprünge wagen.
- Bringen Sie die Sprungbewegung durch Beugen der Knie zum Stillstand, sobald Ihre Füße mit der Sprungmatte in Berührung kommen.
- Diese Technik des Abfederns sollte gleichzeitig mit anderen Sprungtechniken eingeübt werden. Sie ist dann anzuwenden, wenn Sie die Balance verlieren oder wenn Sie einfach nur Grundsprünge erlernen möchten. Ein kontrollierter Sprung liegt erst dann vor, wenn Sie auf derselben Stelle landen, von der Sie abgesprungen sind. Wenn Sie das Gleichgewicht verlieren, beugen Sie Ihre Knie bei der Landung. Das es erlaubt Ihnen, Ihr Gleichgewicht wiederzugewinnen.
- Wechseln Sie sich beim Springen ab und behalten Sie den jeweils Springenden im Auge.
- Für weitere Informationen oder Übungsunterlagen wenden Sie sich bitte an einen ausgebildeten Trampolinlehrer. Bei Gebrauch des Trampolins kann es, wie in allen Freizeitsportarten, zu Verletzungen kommen. Es gibt jedoch Möglichkeiten, diese Verletzungsgefahr zu mindern. Auf den nächsten Seiten werden typische Unfallursachen hervorgehoben und die Verantwortung der Aufsichtspersonen sowie der Springer zur Unfallvermeidung aufgezeigt.

## Unfallkategorien

- Saltos (Überschläge): Bei einer Landung auf dem Kopf oder Nacken, selbst wenn sie in der Mitte der Sprungmatte erfolgt, besteht das Risiko eines Genick- und Rückenbruchs, was zu einer Lähmung, unter Umständen mit Todesfolge, führen kann. Führen Sie keine Saltos auf dem Trampolin durch!
- Die Wahrscheinlichkeit einer Verletzung erhöht sich, wenn mehrere Personen auf dem Trampolin springen und die Kontrolle über ihren Sprung verlieren. Springer können zusammenstoßen, vom Trampolin herunterfallen, auf oder durch die Öffnungen zwischen den Federn fallen oder falsch auf der Sprungmatte landen. Der Springer mit dem geringsten Gewicht ist derjenige, der am wahrscheinlichsten verletzt wird. Aus diesem Grund sollte stets nur eine Person alleine das Trampolin nutzen.
- Betreten und Verlassen des Trampolins: Die Sprungmatte befindet sich ca. einen Meter über dem Boden. Ein Abspringen vom Trampolin auf den Boden oder eine andere Fläche kann daher zu Verletzungen führen. Ein Sprung auf das Trampolin von einem Hausdach, einer Terrasse oder anderen erhöhten Objekten stellt ebenfalls ein Verletzungsrisiko dar.
- Auftreffen auf den Rahmen oder die Federn: Ein Auftreffen auf den Rahmen oder ein Fallen durch den freien Raum zwischen den Federn beim Springen oder Auf- und Absteigen vom Trampolin kann zu Verletzungen führen. Springen Sie daher nur in der Mitte der Sprungmatte. Stellen Sie zudem immer sicher, dass die Rahmenabdeckung an ihrem Platz ist und den Rahmen korrekt abdeckt. Die Auflage ist jedoch nicht geeignet, das Gewicht des Springers zu halten bzw. abzufangen. Betreten Sie sie daher nicht direkt und vermeiden Sie es, nach einem Sprung auf ihr zu landen.
- Verlust der Kontrolle: Springer, die die Kontrolle über ihren Sprung verlieren, können falsch auf der Sprungmatte landen, die Federn oder den Rahmen treffen oder gar vom Trampolin herunterfallen. Bemühen Sie sich daher stets um einen kontrollierten Sprung. Ein solcher liegt vor, wenn Sie an der gleichen Stelle landen, von der Sie abgesprungen sind. Üben Sie dies eingehend, bis Sie es einwandfrei und gleichbleibend beherrschen, bevor Sie einen schwierigen Sprung ausüben. Wird ein Sprung ausgeführt, der Ihre Fähigkeiten übersteigt, so erhöht sich das Risiko eines Kontrollverlustes. Beugen Sie die Knie bei der Landung stark, um die Kontrolle über den Sprung wiederzuerlangen und ihn zu beenden.
- Einfluss von Drogen oder Alkohol: Die Wahrscheinlichkeit einer Verletzung steigt, wenn der Springer Alkohol oder Drogen eingenommen hat. Diese Substanzen schwächen die Reaktionszeit, das Urteilsvermögen, den Orientierungssinn, die Koordination und die Motorik des Betroffenen.
- Zusammenstoß mit Objekten oder Personen: Befinden sich andere Personen, Tiere oder Gegenstände unter dem Trampolin, während darauf gesprungen wird,

erhöht sich die Wahrscheinlichkeit einer Verletzung ebenfalls. Das gleiche gilt, wenn Sie das Trampolin nutzen, während Sie (spitze, zerbrechliche oder scharfe) Gegenstände in den Händen halten. Des Weiteren darf sich das Trampolin nicht zu nah an überirdisch gespannten Stromleitungen, Baumästen oder anderen Hindernissen befinden.

- Schlechte Wartung des Trampolins: Springer können sich verletzen, wenn das Trampolin in schlechtem Zustand ist. Eine gerissene Sprungmatte, ein verbogener Rahmen, fehlende Federn oder eine fehlende Rahmenabdeckung müssen ersetzt werden, bevor Personen das Trampolin nutzen. Überprüfen Sie das Gerät vor jedem Gebrauch.
- Wetterbedingungen: Eine nasse Sprungmatte ist zu rutschig, um ein sicheres Springen zu gewährleisten. Ferner kann böiger oder starker Wind beim Springen zu einem Verlust der Kontrolle führen. Um die Wahrscheinlichkeit einer Verletzung zu senken, verwenden Sie das Trampolin nur unter geeigneten Wetterbedingungen.

## Methoden zur Unfallvorbeugung

### Die Rolle des Springers zur Vermeidung eines Unfalls:

- Eine Unterweisung des Trampolinbenutzers durch den Eigentümer oder die Aufsichtsperson ist ein Muss für die Sicherheit.
- Trampolinbenutzer müssen zuerst einen niedrigen kontrollierten Sprung lernen sowie die grundlegenden Landungsstellungen und -kombinationen, bevor sie zu fortgeschrittenen Sprungübungen übergehen.
- Springer müssen wissen, warum es wichtig ist, zunächst einen kontrollierten Sprung sicher zu beherrschen, bevor sie andere Bewegungen ausüben dürfen.
- Ein kontrollierter Sprung liegt erst dann vor, wenn der Springer auf der gleichen Stelle landet, von der er abgesprungen ist.
- Das Verständnis für die oben aufgezeigten Schritte zur korrekten Trampolinbenutzung ist grundlegend für die Weiterentwicklung der Sprungfertigkeiten. Für weitere Informationen oder Übungsmaterialien wenden Sie sich bitte an einen geschulten Trampolinlehrer.

### Die Rolle der Aufsichtsperson zur Vermeidung eines Unfalls:

- Es liegt in der Verantwortung einer erfahrenen Aufsichtsperson, eine vernünftige und sichere Trampolinnutzung zu gewährleisten.
- Die Aufsichtsperson muss die Regeln und Warnungen, die in diesem Handbuch beschrieben sind, kennen und durchsetzen, um die Wahrscheinlichkeit von Unfällen und Verletzungen zu senken. Außerdem sind die Trampolinbenutzer durch die Aufsichtsperson über diese Regelungen in Kenntnis zu setzen.
- Wenn eine Aufsicht nicht möglich oder unzureichend ist, kann eine Demontage und sichere Lagerung des Trampolins oder eine andersartige Sicherung gegen unbefugte Verwendung erforderlich sein.

FR

## Introduction

- Lisez attentivement ces instructions et utilisez votre produit d'après ce mode d'emploi.
- Conservez ces instructions. Si vous souhaitez offrir ce produit à un tiers, joignez obligatoirement ce mode d'emploi.
- Pour des raisons de clarté, les détails concernant chaque variante ou montage envisageable ne peuvent être tous décrits. Si vous souhaitez obtenir plus d'informations ou si vous rencontrez certains problèmes non traités de manière détaillée dans ces instructions, veuillez nous contacter.

## Notes

- Le produit est exclusivement destiné à un usage domestique en extérieur et non à une utilisation commerciale publique. Montez et utilisez le trampoline en suivant strictement les instructions contenues dans ce mode d'emploi. Une utilisation différente de celle décrite, une modification technique ou une transformation du produit sont interdites et peuvent provoquer des blessures et/ou une détérioration du produit. Le vendeur n'assume aucune responsabilité pour les dégâts pouvant être occasionnés par une utilisation inadéquate ou par un mauvais assemblage.
- Ceci est un article destiné à l'amélioration de la condition physique. Pratiquez des exercices d'échauffement avant l'utilisation. Sinon des contractions ou des elongations musculaires ou d'autres blessures pourraient survenir. Ne vous surestimez pas. Faites une pause lorsque vous êtes fatigué ou que vos jambes mollissent. De sérieuses blessures sont à craindre dans le cas contraire.
- Poids corporel de l'utilisateur:  $\leq 150$  kg
- N'utilisez pas un produit endommagé ou défectueux.
- Vérifiez le bon état du produit avant chaque utilisation. Les pièces défectueuses doivent être immédiatement remplacées car le fonctionnement et la sécurité sont compromis.
- Ce manuel contient les instructions de montage, des mesures préventives ciblées ainsi que des conseils pour l'entretien et la maintenance, afin de vous garantir plaisir et sécurité lors de l'utilisation du trampoline.
- Lire soigneusement toutes les instructions avant d'utiliser le trampoline ou d'en autoriser l'accès à une tierce personne.
- Il relève de la responsabilité du propriétaire, ou de la personne chargée de la surveillance, de s'assurer que tous les utilisateurs du trampoline sont suffisamment informés des mises en garde et des consignes de sécurité.
- Tous les utilisateurs du trampoline doivent prendre connaissance des recommandations du fabricant en ce qui concerne l'assemblage conforme, l'utilisation convenable et l'entretien correct du trampoline.
- Nous vous recommandons d'utiliser un filet de sécurité. Il est fourni avec notre trampoline. Notez que l'acquéreur doit assumer lui-même les dégâts éventuels pouvant résulter de la non-utilisation du filet de sécurité.
- Nous autres, vendeur et fabricant, n'assumons aucune responsabilité pour les dégâts occasionnés par le non-respect des consignes de sécurité, le vol, les intempéries ou autres dégâts similaires qui ne sont pas de notre responsabilité. Le vendeur assume la responsabilité pour les vices de finition et de fabrication apparents.

## À propos du montage

- Le montage du produit doit être effectué soigneusement par trois adultes robustes. Au besoin, prenez conseil auprès d'une personne possédant des connaissances techniques.
- Avant de commencer l'assemblage du produit, lisez attentivement les différentes étapes de montage et regardez le plan général.
- Retirez tout l'emballage et disposez ensuite les différentes pièces sur un espace dégagé. Ceci vous permet d'avoir une vue d'ensemble et facilite l'assemblage.
- Vérifiez la présence de tous les éléments à l'aide de la liste des pièces. Ne jetez l'emballage qu'après avoir achevé le montage.
- Veillez à un environnement de travail ne présentant aucun danger, par ex. ne laissez traîner aucun outil. Entrez l'emballage de telle sorte qu'aucun danger ne puisse en émaner. Les films ou les sachets en plastique sont source de risque d'étouffement pour les enfants !
- Tenez compte du fait que, lors de l'utilisation d'outils et lors d'activités manuelles, il existe toujours un risque de blessure. Par conséquent, agissez soigneusement et prudemment en assemblant le produit.
- Portez des gants de protection lors du montage ou du démontage.
- N'utilisez le trampoline que sur sol ferme et nivelé.
- Le trampoline n'est pas destiné à être scellé dans le sol.
- Installez le trampoline de préférence sur un pré ou sur un gazon. Vous ne devriez bien évidemment pas choisir un sol glissant!
- N'assemblez pas le trampoline sur du béton, du bitume ou d'autres surfaces dures, ni à proximité d'objets de loisirs (par ex. piscine, balançoire, toboggan, cage à poules).
- Veillez à une hauteur suffisante! Un espace minimum de 9,5 m au-dessus du trampoline devrait exister. N'utilisez pas le trampoline dans des espaces clos, sous des abris ou des arbres. Éloignez du voisinage immédiat les branches, les fils et ce genre de choses afin de prévenir tout risque de blessure.
- Veillez à une liberté de mouvement horizontal suffisante. Le trampoline doit être disposé à au-moins 3 m des bâtiments, des murs, des clôtures et des lignes électriques.
- Le trampoline est constitué d'éléments métalliques qui peuvent être conducteurs, assemblez le trampoline loin du réseau électrique, aucune installation électrique ne devrait entrer en contact avec le trampoline.
- Ne pas installer le trampoline à proximité d'autres équipements ou structures de loisirs.
- En cas d'installation du trampoline dans un endroit ombragé ou sombre, vous devriez veiller à un éclairage suffisant.
- Aucun objet ne doit se trouver sous le trampoline.
- Après avoir assemblé le produit conformément au mode d'emploi, assurez-vous que tous les boulons, écrous et vis sont correctement fixés et serrés et que les tubes du cadre sont correctement emboîtés.
- Évitez de transporter le trampoline assemblé, car cela pourrait le déformer sous la tension des ressorts. Si cela devait cependant s'avérer nécessaire, tenez compte de ce qui suit:
- Lors du transport, 4 personnes au-moins devraient être réparties régulièrement autour du trampoline pour soulever le cadre.
- Le trampoline devrait être transporté horizontalement.
- Soyez prudents lors du transport, sinon le cadre risque de se déformer.
- Si cela devait se produire, utilisez les 4 personnes pour redonner au cadre sa forme initiale.

## À propos de l'utilisation

- Les enfants ne sont autorisés à utiliser le trampoline que sous la surveillance d'un adulte expérimenté et possédant les connaissances adéquates.
- L'utilisation incorrecte et abusive du trampoline est dangereuse et peut provoquer de sérieuses blessures.
- Le trampoline propulse le sauteur à une hauteur inaccoutumée et provoque un grand nombre de mouvements corporels inhabituels et extrêmes. N'utilisez le trampoline que si vous vous sentez en bonne forme physique et que si vous êtes conscient des dangers potentiels liés à l'utilisation.
- Utilisez toujours le produit sur un sol plat, non glissant et ferme.
- Videz vos poches avant de sauter, n'emportez aucun objet sur la surface de saut, ne vous couchez pas sur la surface de saut.
- Ne portez ni chaussures de ville ni chaussures de tennis lors des sauts. Les sauteurs sur trampoline ne devraient sauter que pieds-nus, en chaussettes ou chaussés de chaussures de gymnastique, car les chaussures à semelle ferme provoquent une forte usure du trampoline.
- Lors des sauts, il est interdit de porter des vêtements comportant des crochets ou des parties pouvant restées accrochées ou s'enchevêtrer dans le tapis de saut.
- L'habillement doit être composé d'un T-shirt et de shorts. Jusqu'à ce qu'ils maîtrisent l'atterrissage, les débutants peuvent aussi porter des vêtements de protection amples tels que des chemises à manches longues et des pantalons de survêtement. Ceci évite les écorchures aux coudes et aux genoux lors des mauvais atterrissages.
- Toujours fermer l'ouverture du filet avant de sauter.
- Ne pas manger lors des sauts.
- Monter et descendre correctement doit être une règle incontournable dès le départ. N'accédez ou ne quittez le trampoline que par la sortie prévue en utilisant l'échelle fournie. Ne sautez pas du trampoline ou ne sautez pas sur le trampoline.
- N'essayez pas d'accéder à l'espace intérieur en rampant sous le filet de sécurité.
- Ne sautez pas sur le trampoline du haut d'un arbre, d'un balcon ou autres et ne vous en servez pas comme tremplin.
- Ne sautez JAMAIS directement du trampoline sur le sol. Ceci, même lorsqu'il s'agit d'un sol souple.
- Les enfants utilisant le trampoline ont besoin d'aide pour monter et descendre. Toujours monter et descendre en regardant l'échelle et en tenant la main courante. S'assurer que le pied repose bien sur le barreau de l'échelle lorsque celle-ci est utilisée.
- Pour bien monter sur le trampoline, agrippez-vous au cadre et sautez ou roulez sur le cadre, par-dessus les ressorts et sur le tapis de saut.
- Pour descendre correctement, allez au bord du trampoline, asseyez-vous et descendez par l'échelle.
- La charge du trampoline ne doit pas excéder la charge maximale indiquée.
- Une seule personne à la fois est autorisée à utiliser le trampoline. La présence de plusieurs personnes augmente le risque de blessures!
- Commencez toujours vos sauts au milieu du tapis de saut et cessez immédiatement de sauter lorsque vous atterrissez à plus de 50 cm du centre, puis reprenez

- les sauts à partir du milieu.
- Ne vous placez pas directement sur le coussin de protection du cadre car celui-ci n'est pas prévu pour supporter le poids de votre corps.
- Terminez les sauts par une flexion des genoux lorsque vos pieds touchent le tapis de saut. Entraînez-vous suffisamment avant d'expérimenter d'autres possibilités!
- Apprenez d'abord les sauts de base avant d'essayer d'autres figures de saut. Vous pouvez pratiquer diverses activités sur le trampoline avec les exercices de base en les exécutant dans différentes combinaisons et séquences (avec ou sans chandelle).
- Évitez de sauter trop haut avant de maîtriser le saut et l'atterrissage contrôlés au centre de votre trampoline. Regardez toujours le trampoline en sautant: ceci vous aide à contrôler les sauts.
- N'exécutez que de légères rotations courtes lors des sauts.
- Les atterrissages sur la tête ou la nuque peuvent provoquer de très sévères blessures (par ex. des paralysies, des fractures ou, pire encore, la mort). Ceci est particulièrement dangereux lors de sauts périlleux!
- Veillez à ne pas laisser vos bras et vos jambes à proximité de pièces mobiles. N'enfoncez rien dans les ouvertures existantes du produit.
- Ne sautez pas trop longtemps afin d'éviter les accidents dus à la fatigue.
- Faire sauter les sauteurs en alternance sur une courte durée. Une durée de saut trop longue expose le sauteur à un risque plus élevé de blessure.
- Le trampoline ne doit pas être utilisé sous l'empire de l'alcool ou de drogues.
- Ne sautez que sur un tapis de saut sec! Vous ne devez pas utiliser le trampoline par vent violent. Un tapis de saut humide ainsi que la pluie vous exposent à des risques de blessure!
- Le tapis de saut ne doit pas entrer en contact avec des objets pointus ou tranchants.
- Personne ne doit se trouver sous le trampoline. Le trampoline n'est pas un abri contre les intempéries!
- Lors de l'utilisation du trampoline, le vent ou les déplacements d'air devraient être légers à modérés, n'utilisez pas le trampoline par vent violent.
- Dans certains pays, de lourdes charges de neige et des températures très basses en hiver peuvent endommager le trampoline. Il est recommandé d'enlever régulièrement la neige et de stocker le tapis de saut et le filet de sécurité au sec, à l'intérieur.
- Le trampoline ne doit pas être utilisé lorsque vous constatez des dégâts, des anomalies ou des détails non conformes. Empêchez toute utilisation de l'équipement sportif jusqu'à ce que les conditions réglementaires d'utilisation soient à nouveau réunies.
- Le propriétaire porte la responsabilité d'informer tous les utilisateurs des présentes instructions.

## À propos de l'entretien et de la maintenance

- Le trampoline a été réalisé à partir de matériaux haut de gamme. Si vous l'entretenez et assurez correctement sa maintenance, vous pourrez en profiter pendant de nombreuses années. A cette fin, veuillez respecter les conseils d'entretien suivants:
- Ne procédez à aucune modification de la structure.
- Vérifiez régulièrement les jonctions de tous les ressorts ou de tous les écrous, resserrez-les, si besoin, afin d'éviter des pertes lors de l'utilisation.
- Vérifiez régulièrement le positionnement correct du coussin de protection du cadre.
- Si des parties sont endommagées ou si des angles ou des arêtes saillants apparaissent, le produit ne doit plus être utilisé.
- Vérifiez, avant et après chaque utilisation, l'état de dégradation et d'usure du trampoline. Les pièces défectueuses ou manquantes doivent être immédiatement remplacées.
- Les influences météorologiques, telles que les rayons directs du soleil, la pluie, la neige et les températures extrêmes peuvent endommager le tapis de saut, le coussin de protection du cadre et le filet de sécurité. Veuillez vérifier régulièrement l'état de ces éléments et le fait qu'ils sont encore aptes à porter/rattraper le poids de l'utilisateur. Le cas échéant, remplacez le tapis de saut, le coussin de protection du cadre et le filet de sécurité.
- Pour votre propre sécurité, utilisez uniquement des pièces de rechange d'origine. Vous pouvez les commander chez Songmics. En cas de doute, contactez notre service clientèle.
- Protégez le produit des projections d'eau, de l'humidité, des températures élevées et des rayons directs du soleil. Lorsque vous n'utilisez pas le produit, nous vous conseillons de le protéger des intempéries à l'aide d'une bâche appropriée. Si vous l'exposez aux intempéries sans protection, les dommages qu'il subira ne seront pas couverts par la garantie.
- Le trampoline peut se renverser en cas de vent violent. En cas de prévision de bourrasques, veillez à placer le trampoline dans un secteur protégé ou à le démonter. Le filet de protection, tout comme le trampoline peuvent agir comme une voile et représenter ainsi un danger pour d'autres objets ou pour des personnes.
- En cas de non-utilisation prolongée du trampoline, vous devriez le protéger contre toute utilisation non autorisée et aussi ôter l'échelle pour en interdire l'accès sans surveillance aux enfants de moins de 6 ans.
- Le trampoline devrait toujours être entreposé dans un endroit sec et frais. À cette fin, vous pouvez utiliser le carton d'origine. Avant le stockage, graissez ou huilez légèrement toutes les connexions enfichables pour les protéger.
- Stockez le produit dans un endroit sécurisé et protégé des intempéries et de telle sorte qu'il ne puisse pas être endommagé ou blesser quelqu'un.
- Veillez à ce que le détergent, la température de l'eau et la méthode de nettoyage soient appropriés. Nous vous recommandons d'éliminer les saletés à l'eau tiède et avec une brosse douce.

## Mises en garde Danger pour les enfants

- Mise en garde! Les trampolines dépassant une hauteur de 0,5 m ne sont pas adaptés aux enfants de moins de 6 ans. Les enfants ne sont pas conscients du danger qui peut émaner de ce produit. C'est pour cela qu'il faut les tenir éloignés de cet agrès.
- Le trampoline n'est pas un jouet. Le produit devrait être entreposé dans un endroit inaccessible aux enfants et aux animaux domestiques.
- Veillez à ce que les matériaux d'emballage ne tombent pas entre les mains des enfants! Il y a danger d'étouffement!

## Risque de blessures

- Comme pour toutes les activités physiques de plein air, il existe un risque de blessures. Y compris lors des réceptions sur la toile de saut, des blessures peuvent survenir, surtout des blessures au dos, au cou ou à la tête.
- Ne pas atterrir sur la tête ou la nuque. Il existe un risque de paralysie pouvant mener au décès; même en cas d'atterrissage au centre du trampoline. Ne tentez pas de sauts périlleux afin d'éviter les atterrissages sur la tête ou la nuque.
- Les trampolines sont des équipements de rebondissement qui propulsent le sauteur à des hauteurs inhabituelles avec une grande variété de mouvements corporels. Sauter du trampoline, marcher sur le cadre ou les ressorts ou une mauvaise réception sur la toile de saut peuvent entraîner des blessures.
- Une seule personne à la fois est autorisée à utiliser le trampoline. Si plusieurs personnes sautent simultanément sur le trampoline, le risque de perte de contrôle, de collision ou de chute augmente considérablement. Ceci peut conduire à des fractures du crâne, du cou, du dos ou aux jambes.
- Utilisez le trampoline uniquement sous la surveillance de personnes expérimentées et en respectant le mode d'emploi. Personne ne devait utiliser le trampoline sans surveillance, et ce, quel que soit son âge ou son degré d'expérience.
- Les consignes de sécurité pour le trampoline devraient toujours être respectées et suivies. L'utilisation du trampoline expose à de sérieux risques de blessures, notamment des dommages irréversibles comme la paralysie ou, même, le décès.
- Les défauts de fabrication apparents doivent être signalés immédiatement et l'utilisation doit être aussitôt interrompue. L'acheteur/utilisateur doit régulièrement contrôler l'usure ou la dégradation de l'agrès.
- Le filet de protection tout comme le trampoline peuvent présenter une prise au vent. Ceci dégage des forces importantes et un trampoline "volant" représente un grand danger pour les autres objets ou les personnes. Le trampoline devrait être sécurisé afin de ne pas être emporté par une tempête ou un vent violent. A cette fin des points d'ancrage en nombre suffisant (pas moins d'un par pied) sont nécessaires. A cet effet il vous faut créer une assise adéquate (qui ne soit pas sous-dimensionnée). Veillez à utiliser du matériel de sécurisation adapté. Vous pouvez aussi placer le trampoline dans un endroit abrité du vent ou le démonter. Nous n'assumons aucune responsabilité pour les dégâts occasionnés sur des trampolines insuffisamment sécurisés lors d'intempéries.

## À l'attention de la personne chargée de la surveillance

- Appliquez toutes les consignes de sécurité et prenez connaissance des informations contenues dans le manuel de l'utilisateur.
- Tous les utilisateurs requièrent une surveillance, indépendamment de l'âge et des aptitudes du sauteur.
- Utiliser le trampoline uniquement si le tapis de saut est propre et sec. Vous devez immédiatement remplacer un tapis de saut usé ou endommagé.
- Les objets pouvant gêner le sauteur doivent être éloignés.
- Interdisez l'accès de la toile de saut aux animaux domestiques afin de la préserver des coupures et des détériorations.
- Le trampoline doit être sécurisé pour empêcher une utilisation non autorisée et sans surveillance.
- Veillez à ce que les mises en garde soient bien visibles sur le trampoline lorsqu'on y pénètre par l'ouverture dans le filet de protection.

## À l'attention du sauteur

- N'utilisez pas le trampoline lorsque vous êtes sous l'empire de l'alcool, de drogues ou lorsque vous prenez des médicaments.
- Apprenez scrupuleusement les positions de saut et les positions corporelles basiques avant de vous attaquer à des sauts difficiles.
- Arrêtez votre saut de retour par une flexion des genoux dès que vos pieds touchent le tapis de saut.
- Vous devriez vous entraîner à cette technique en même temps qu'aux autres techniques de saut. L'aptitude à l'amortissement devrait être mise en œuvre dès que vous perdez l'équilibre lors d'un saut ou lorsque vous désirez simplement apprendre des sauts basiques. On ne peut parler de saut contrôlé que lorsque vous atterrissez sur votre point de départ. Lorsque vous perdez l'équilibre, pliez les genoux à l'atterrissage. Cela vous permet de retrouver l'équilibre.
- Relayez-vous pour sauter et surveillez le sauteur.
- Pour obtenir des informations supplémentaires ou des supports d'exercices, adressez-vous à un professeur de trampoline accrédité. L'utilisation du trampoline, comme toutes les activités sportives de plein air, peut occasionner des blessures. Il existe des moyens de diminuer le risque de blessure. Les pages suivantes mettent l'accent sur les principales causes d'accidents et évoquent la responsabilité de la personne chargée de la surveillance ainsi que des sauteurs en ce qui concerne la prévention des accidents.

## Classification des accidents

- Sauts périlleux: Un atterrissage sur la tête ou la nuque, même lorsqu'il se produit au milieu du tapis de trampoline, augmente le risque de fractures au cou ou au dos; ce qui peut entraîner une paralysie et, éventuellement, le décès. Ceci peut arriver lorsque le sauteur commet une erreur lors d'un saut périlleux avant ou arrière.
- Ne pas effectuer de sauts périlleux sur le trampoline!
- La probabilité d'une blessure augmente lorsque plusieurs personnes sautent simultanément sur le trampoline et qu'elles perdent le contrôle de leur saut. Les sauteurs peuvent entrer en collision, tomber du trampoline, tomber sur ou à travers les ressorts ou mal atterrir sur la toile de saut. Le sauteur le plus léger est celui qui court le plus de risques d'être blessé.
- Monter et descendre du trampoline: Le tapis de saut est situé à environ 1 m du sol. Sauter du trampoline sur le sol ou sur une autre surface peut entraîner une blessure. Sauter sur le trampoline depuis le toit d'une maison, une terrasse ou d'autres objets surélevés représente un risque de blessure.
- Marcher sur le cadre ou sur les ressorts: Marcher sur le cadre ou chuter à travers les ressorts lors d'un saut ou lors de la montée et de la descente du trampoline peut conduire à une blessure. Restez au centre du trampoline lors des sauts. Assurez-vous que le coussin de protection reste en place et couvre le cadre. Le coussin de protection du cadre n'est pas destiné à soutenir le poids du sauteur. Ne pas marcher ou sauter directement sur le coussin de protection du cadre.
- Perte de contrôle: Les sauteurs qui perdent le contrôle de leur saut peuvent mal se réceptionner sur le tapis de saut, atterrir sur le cadre ou sur les ressorts ou encore tomber du trampoline. Un saut contrôlé est celui où on atterrit sur son point de départ. Avant de s'entraîner pour un saut plus difficile, ce qui est indiqué plus haut doit pouvoir être impeccablement exécuté et ce, avec un contrôle de saut constant. Tenter un saut au-delà de son aptitude effective augmente le risque

- de perte de contrôle. Afin de retrouver le contrôle du saut et pour l'arrêter, plier fortement les genoux lors de la réception.
- Sous l'empire de l'alcool ou de drogues: La probabilité d'une blessure augmente lorsque le sauteur a consommé de l'alcool ou des drogues. Ces substances réduisent les temps de réaction, altèrent le jugement, l'orientation dans l'espace, la coordination et la motricité de la personne concernée.
- Collision avec des objets: Lorsque d'autres personnes, des animaux ou des objets se trouvent sous le trampoline pendant son utilisation, la probabilité d'une blessure s'en trouve augmentée. Sauter sur le trampoline en tenant un objet, surtout s'il est tranchant ou cassant, augmente aussi la probabilité d'une blessure. Lorsque le trampoline est implanté à proximité d'une ligne électrique aérienne, de branches ou d'autres obstacles, la probabilité de blessure augmente.
- Mauvaise maintenance du trampoline: Les sauteurs peuvent se blesser lorsque le trampoline utilisé est en mauvais état. Une toile de saut déchirée, un cadre tordu, des ressorts manquants ou un coussin de protection absent doivent être remplacés avant d'autoriser quelqu'un à sauter sur le trampoline. Le trampoline devrait être vérifié avant chaque utilisation.
- Conditions météorologiques: Un tapis de saut mouillé est trop glissant pour un saut sécurisé. Des rafales ou des vents violents peuvent occasionner la perte de contrôle lors des sauts. Afin de diminuer la probabilité de blessure, n'utiliser le trampoline que lorsque les conditions météorologiques le permettent.

## Méthodes de prévention des accidents

### Le rôle du sauteur dans la prévention d'un accident

- Une formation de l'utilisateur du trampoline est une obligation pour la sécurité.
- Les utilisateurs doivent d'abord apprendre à contrôler un petit saut ainsi que les positions de réception et les combinaisons de base avant de passer à des exercices de saut plus avancés.
- Les sauteurs doivent savoir pourquoi ils doivent maîtriser leur saut avant de pouvoir s'exercer aux autres figures.
- On ne peut parler de saut maîtrisé que lorsque vous atterrissez sur votre point de départ.
- La première leçon consiste à comprendre la séquence correcte dans le développement des aptitudes au saut sur trampoline.
- Pour obtenir des informations supplémentaires ou des supports d'exercices, adressez-vous à un professeur de trampoline accrédité.

### Le rôle de la personne chargée de la surveillance dans la prévention d'un accident

- Il relève de la responsabilité de la personne chargée de la surveillance des utilisateurs du trampoline d'exercer une surveillance raisonnable et expérimentée.
- Elle doit connaître et imposer les règles et les avertissements contenus dans ce manuel afin de réduire la probabilité d'accidents et de blessures et en informer les utilisateurs du trampoline.
- Pendant les périodes durant lesquelles la surveillance ne peut être effectuée ou lorsqu'elle est insuffisante, le démontage et le stockage sécurisé dans un autre endroit ou une sécurisation différente contre l'utilisation non autorisée peuvent s'avérer nécessaires.

IT

## Linee guida generali

- Si prega di leggere attentamente le seguenti istruzioni e usare il prodotto in modo opportuno.
- Si prega di conservare questo manuale e consegnarlo quando il prodotto cambia proprietario.
- Questo riassunto potrebbe non includere ogni dettaglio di tutte le variazioni e le fasi considerate. Contattaci se hai bisogno di ulteriori informazioni e assistenza.

## Avvertenze

- Il prodotto è adatto esclusivamente per uso domestico e non è destinato ad uso pubblico o commerciale. È vietato l'utilizzo non conforme a quanto descritto in questo manuale ed è vietata la modifica o la riproduzione del prodotto senza autorizzazione, e potrebbe causare infortuni e / o danni al prodotto. Il prodotto deve essere installato ed utilizzato in piena conformità con queste istruzioni. Il produttore non si assume alcuna responsabilità relativa a danni causati dalla mancata osservanza delle disposizioni di montaggio e uso.
- Questo prodotto è uno strumento per esercizi. Riscaldarsi prima dell'utilizzo, altrimenti potrebbero verificarsi stiramenti muscolari, tensione muscolare e altri infortuni. Non sopravvalutare le proprie abilità. Quando siete stanchi, o quando sentite le gambe affaticate, prendetevi una pausa. Questo può proteggere da infortuni seri.
- Peso per Utente: ≤ 150 kg
- Non utilizzare il prodotto se danneggiato o difettoso.
- Controllare che il prodotto sia intatto prima di ogni uso. Le parti difettose devono essere sostituite immediatamente, in quanto possono pregiudicare la funzione e la sicurezza del prodotto.
- Questo manuale contiene istruzioni di montaggio, precauzioni e consigli per la cura e la manutenzione del trampolino per garantire la sicurezza e un uso corretto.
- Prima di usare il trampolino, o di farlo usare a qualcun altro, è necessario leggere e comprendere pienamente le precauzioni.
- Il proprietario o il supervisore hanno la responsabilità di garantire che tutti gli utenti del trampolino siano informati riguardo tutte le avvertenze e le istruzioni per la sicurezza.
- Tutte le persone che utilizzano il trampolino devono conoscere le raccomandazioni fornite dal produttore per il montaggio corretto, l'uso corretto e la cura e la manutenzione del prodotto.
- Raccomandiamo di fare sempre uso della rete di sicurezza che troverete inclusa nel pacco insieme al trampolino. Il cliente si assume tutti i rischi derivati dal mancato utilizzo della rete di sicurezza.
- Né la nostra compagnia né i nostri produttori saranno responsabili o imputabili per qualsiasi danno causato dall'uso improprio e dal mancato rispetto delle seguenti istruzioni, qualsiasi perdita causata da furti, o da condizioni climatiche, e altre perdite causate da altri casi diversi. Nel caso di un difetto di produzione o lavorazione riconoscibile, il rivenditore si assumerà la responsabilità corrispondente.

## Montaggio

- L'assemblaggio del prodotto deve essere portato a termine con attenzione e da 3 adulti fisicamente abili. In caso di dubbi, chiedere aiuto a una persona tecnicamente qualificata.
- Prima di cominciare a montare, si prega di leggere le istruzioni con attenzione e di controllare le illustrazioni relative al processo.
- Rimuovere tutti i materiali di imballaggio e disporre tutte le parti in uno spazio libero. Questo passaggio permette di avere una visione d'insieme e di semplificare il processo di assemblaggio.
- Controllare la lista delle parti per assicurarsi che non manchi nulla. Eliminare i materiali di imballaggio quando il montaggio è stato completato.
- Creare un ambiente privo di pericoli; per esempio, non lasciare attrezzi sparsi in giro. Riporre i materiali di imballaggio in modo che non rappresentino un rischio. Fogli e sacchi di plastica sono pericolosi per i bambini (pericolo di soffocamento)!
- Fare attenzione quando si usano attrezzi o quando si svolgono lavori tecnici per prevenire gli infortuni. Assemblare il prodotto con grande cura.
- Quando si monta o si smonta indossare guanti per proteggere le mani.
- Il trampolino deve essere allestito solo su una superficie solida e piana.
- Il trampolino non deve essere sepolto nel terreno.
- Se possibile, sistemare il trampolino su un prato. Evitare le superfici scivolose!
- Il trampolino non deve essere montato su cemento, asfalto o qualsiasi altra superficie rigida, né in prossimità di altre strutture contrastanti come piscine, altalene, scivoli, strutture per arrampicata.
- Si prega di fare attenzione a tenere uno spazio libero ed appropriato sopra al trampolino! È necessario uno spazio libero di almeno 9.5m al di sopra del trampolino. Non utilizzare il trampolino in zone chiuse, in aree riparate o sotto alberi. Si prega di ripulire i dintorni da rami, cavi elettrici, ecc. per evitare infortuni.
- Assicurarsi che ci sia abbastanza spazio di attività orizzontale. Il trampolino deve restare a una distanza di almeno 3m da edifici, muri, recinzioni o cavi elettrici.
- La struttura metallica del trampolino conduce elettricità. Si prega di assemblare il trampolino lontano da tutte le forme di alimentazione elettrica. Tutte le apparecchiature elettriche devono essere tenute a distanza dal trampolino.
- Non utilizzare il trampolino in prossimità di altre strutture ricreative.
- Se il trampolino si trova in zone d'ombra o buie assicurarsi che l'illuminazione sia sufficiente.
- Non riporre niente al di sotto del trampolino.
- Dopo aver montato il prodotto seguendo il manuale di istruzioni, assicurarsi che tutte le viti, i bulloni, e i dadi siano nelle posizioni corrette e che siano ben stretti. Controllare che le gambe della struttura siano tutte inserite insieme reciprocamente.
- Si consiglia di evitare lo spostamento del trampolino assemblato, perché potrebbe piegarsi a causa della tensione delle molle. Nel caso in cui sia necessario farlo, si prega di considerare i seguenti punti:
- Durante il trasporto, sono necessarie almeno 4 persone a distanza regolare per sollevare il trampolino dal terreno.
- Il trampolino deve essere spostato orizzontalmente.
- Fare attenzione durante gli spostamenti per evitare che la struttura si pieghi.
- Se dovesse accadere, si prega di disporre 4 persone per ripristinare la struttura nella sua forma originale.

## Utilizzo

- I bambini possono usare il trampolino solo sotto la supervisione di adulti che posseggano una preparazione adeguata.
- L'utilizzo improprio e l'abuso del trampolino sono pericolosi e possono causare infortuni seri.
- Tenere presente che le molle del trampolino sono in grado di generare un'incredibile elasticità, spingendo la persona che si trova sul tappeto elastico ad altezze considerevoli, causando il movimento del corpo in diverse direzioni particolari. Utilizzare il trampolino solo in buona forma fisica e a conoscenza dei pericoli che potrebbero sorgere durante l'uso.
- Utilizzare il prodotto solo su superfici piane, non scivolose e solide.
- Si prega di svuotare le tasche prima di salire sul trampolino. Non portare alcun oggetto sul trampolino e non appoggiarsi sopra niente.
- Non indossare pantofole o scarpe da tennis durante l'uso. Gli utenti devono essere a piedi nudi, o con calzini o scarpe da ginnastica. Non usare scarpe rigide sul trampolino per evitare l'usura eccessiva dello stesso.
- Non indossare vestiti con ganci o gancetti sul trampolino per evitare che questi rimangano impigliati.
- L'abbigliamento consigliato è costituito da una maglietta e dei pantaloncini. I principianti possono indossare vestiti protettivi liberi, come maglie a maniche lunghe e tute, in modo da imparare a controllare bene l'atterraggio. Questo accorgimento previene le ferite su gomiti e ginocchia causate da un atterraggio inadeguato.
- Tenere sempre chiusa la porta d'entrata frontale della rete di sicurezza prima di saltare.
- Non mangiare durante o appena prima di saltare.
- Per entrare e uscire dal trampolino è necessario seguire una regola fissa per i principianti. Di conseguenza, usare sempre la scala inclusa nel pacco per entrare o lasciare il trampolino attraverso l'entrata stabilita. Non saltare direttamente sopra il trampolino e non saltare giù dal trampolino.
- Non tentare di entrare nel trampolino strisciando sotto la rete di sicurezza.
- Non saltare da alberi, terrazzi, o altre posizioni elevate sul trampolino, e non usare il trampolino per raggiungere e arrampicarsi su posizioni elevate.
- Non saltare mai direttamente dal trampolino al terreno, a prescindere dalla presenza o meno di un tappetino morbido sul terreno.
- I bambini che usano il trampolino devono essere aiutati a entrare e a uscire dal trampolino. Tenere sempre sotto controllo la scala e impugnare le sbarre verticali quando si entra o si esce dal trampolino. Assicurarsi che i piedi siano sempre bene a contatto con le sbarre orizzontali della scala.
- Per salire sul trampolino in modo corretto, posizionare le mani sulla struttura, arrampicarsi sopra la struttura, oltrepassare le molle e posizionarsi sul tappeto elastico.
- Per scendere dal trampolino in modo corretto, portarsi sul bordo del trampolino, sedersi e scendere la scala.
- Il trampolino non deve superare il carico massimo specificato.
- Assicurarsi che il prodotto non venga usato da più di una persona alla volta. L'utilizzo da due o più persone contemporaneamente aumenta il rischio di infortunio!
- Rimanere sempre al centro del tappeto elastico. Fermarsi immediatamente se ci si sposta più di 50cm dal centro, quindi tornare nel punto centrale del tappeto

- elastico e riprendere. Questo accorgimento riduce il rischio di infortunio causato dall'atterraggio sul tappeto di sicurezza sopra alle molle.
- Non stare in piedi sul tappeto di sicurezza sopra alle molle, non è inteso per sostenere il peso di una persona.
  - Per smettere di saltare, piegare le ginocchia quando i piedi vengono a contatto con il tappeto elastico. Si consiglia di padroneggiare questa tecnica prima di provarne di nuove.
  - Padroneggiare i salti di base prima di provare acrobazie più avanzate. Puoi unire queste mosse di base in una gran varietà di combinazioni con o senza i salti intermedi per realizzare diverse sequenze sul trampolino.
  - Evita di saltare troppo in alto. Controlla la potenza fino a che non hai un controllo sufficiente sui tuoi salti e sei in grado di atterrare sempre nel centro del trampolino. Tieni gli occhi sul trampolino per aiutarti a controllare i salti.
  - Effettua solo rotazioni semplici e brevi durante i salti.
  - Atterrare sulla testa o sul collo potrebbe causare infortuni molto seri (come paralisi, fratture o morte). I salti mortali e le capriole in aria sono particolarmente pericolosi!
  - Fai attenzione a non tenere braccia e gambe vicine alle parti del corpo in movimento. Non inserire nessun materiale nelle aperture del prodotto.
  - Non utilizzare il trampolino per un lungo periodo di tempo senza pause, la fatica può essere la causa di incidenti.
  - Le persone che usano il trampolino dovrebbero fare turni brevi. Saltare per troppo tempo aumenta il rischio di infortunio.
  - Non usare il trampolino sotto l'effetto di alcol o droghe (inclusi i medicinali da banco o da ricetta).
  - Si prega di saltare solo quando il tappeto elastico è asciutto! È vietato usare il trampolino con vento forte. Usare il trampolino bagnato e con un clima umido aumenta il rischio di infortunio.
  - Non mettere a contatto oggetti appuntiti con il tappeto elastico.
  - Non stare sotto il trampolino. Il prodotto non offre protezione dalla pioggia!
  - Quando si usa il trampolino all'aperto, il vento deve essere assente o leggero. Non utilizzare con vento forte.
  - In alcuni paesi, l'inverno comporta un gran carico di neve e temperature molto basse che potrebbero rompere il trampolino. Raccomandiamo di rimuovere regolarmente la neve e di conservare la rete di sicurezza e il tappeto elastico in un posto coperto e asciutto.
  - Non usare il trampolino dopo aver individuato un danno o una anomalia, oppure quando non soddisfa le condizioni. Assicurarsi che il prodotto non venga usato fino a quando non ritorna alle sue condizioni originali.
  - Il proprietario del trampolino è responsabile e deve assicurarsi che tutti gli utenti siano a conoscenza delle istruzioni presenti in questo manuale.

## Cura e manutenzione

- Il trampolino è realizzato con materiali di alta qualità. Con la giusta cura e manutenzione, potrai utilizzarlo senza problemi per molti anni. Presta attenzione a queste istruzioni di manutenzione.
- Non effettuare modifiche strutturali.
- Controlla tutte le molle e i bulloni regolarmente e stringili se necessario per evitare che si muovano durante l'uso.
- Controlla regolarmente che il tappeto di protezione sopra alle molle sia fissato bene.
- Se si formano spigoli o angoli appuntiti il prodotto non può più essere utilizzato.
- Controlla che il trampolino non presenti danni, parti mancanti o segni di usura e strappo prima e dopo ogni utilizzo. Le parti mancanti o difettose devono essere sostituite immediatamente.
- Condizioni climatiche come luce solare diretta, pioggia, neve e temperature estreme possono danneggiare il tappeto elastico, il tappeto di protezione delle molle e la rete di sicurezza. Si prega di controllare regolarmente che queste parti non abbiano subito danni e che siano ancora in grado di sostenere il peso dell'utente. Si prega di sostituire il tappeto elastico e il tappeto di protezione delle molle quando questi vengono danneggiati.
- Raccomandiamo di utilizzare solo parti di ricambio originali per la tua sicurezza, che puoi ordinare da Songmics. Se hai domande o dubbi non esitare a contattare il nostro team di assistenza clienti.
- Proteggi il prodotto da acqua, umidità, temperature elevate e luce solare diretta. Quando non usi il trampolino consigliamo di usare una copertura protettiva adatta per proteggerlo dalle condizioni climatiche avverse. I danni provocati dall'esposizione all'aperto senza protezioni non saranno coperti dalla garanzia.
- I venti particolarmente forti potrebbero sollevare e spostare il trampolino. Se sono previsti dei venti forti, si prega di spostare il trampolino in una posizione riparata o di smontarlo. La rete di sicurezza e il tappeto elastico potrebbero venire gonfiati dal vento, spostando il prodotto e causando danni a persone ed altri oggetti.
- Tenere il trampolino al sicuro da accessi non consentiti quando questo non è in uso. Il responsabile deve rimuovere la scala di accesso in modo che i bambini sotto i 6 anni senza supervisione non siano in grado di accedervi.
- Il trampolino dovrebbe essere riposto in un ambiente fresco e asciutto, o nel suo imballaggio originale. Lubrificare le giunture prima dell'archiviazione per protezione.
- Conservare il prodotto in un posto sicuro e resistente alle intemperie per evitare danni o infortuni al prodotto o alle persone.
- Si prega di fare attenzione al detergente, alla temperatura dell'acqua e al metodo di lavaggio utilizzato per assicurarsi che sia appropriato. Raccomandiamo di usare semplicemente acqua calda e una spazzola morbida.

## Avvertenze pericoli per bambini

- **ATTENZIONE!** I trampolini che superano i 50cm (20 pollici) di altezza non sono consigliati per i bambini al di sotto dei 6 anni di età! I bambini non si rendono conto dei potenziali pericoli di questo prodotto. Tenere i bambini lontani da questo prodotto.
- I trampolini non sono giocattoli. Questo prodotto deve essere conservato lontano dalla portata di bambini e animali.
- Fare attenzione ai materiali di imballaggio presenti nel pacco del prodotto! C'è il pericolo di soffocamento!

## Rischio di lesioni

- L'utilizzo del trampolino potrebbe, come per qualsiasi tipo di attività sportiva, portare a infortuni. Anche gli atterraggi sul tappeto elastico possono portare a

infortuni, specialmente a schiena, collo e testa.

- Non atterrare sulla testa o sul collo. C'è il rischio di paralisi e morte, anche atterrando nel centro del trampolino. Non tentare salti mortali per prevenire il rischio di atterrare sulla testa o sul collo.
- I trampolini sono dispositivi che permettono agli utenti di saltare ad altezze significative. Saltare fuori dal trampolino, colpire la struttura o le molle, o atterrare in modo sbagliato può causare infortuni.
- Assicurarsi che il prodotto non venga usato da più di una persona alla volta. Se due o più persone saltano sul trampolino è impossibile controllare la traiettoria, aumentando la possibilità di infortuni legata alle collisioni tra utenti e alla caduta dal prodotto. Questo può portare a lesioni al cranio, al collo, alla schiena e alle gambe.
- Il trampolino può essere utilizzato solo sotto la supervisione di persone che conoscono i contenuti del manuale di istruzioni. Non utilizzare il trampolino senza supervisione, a prescindere da età ed esperienza.
- Seguire sempre le istruzioni di sicurezza e le avvertenze descritte nel manuale. L'utilizzo del trampolino può portare a un serio rischio di infortunio, comprese le lesioni permanenti, come la paralisi o persino la morte.
- I difetti del prodotto devono essere comunicati immediatamente al produttore, il quale si impegnerà a risolvere la situazione per poter continuare l'uso. Il proprietario del trampolino deve controllare regolarmente il dispositivo in cerca di segni di usura o danni.
- La rete di sicurezza e il tappeto elastico potrebbero diventare delle specie di vele in caso di vento forte. In questo caso, il trampolino potrebbe diventare un grande pericolo per persone ed altri oggetti. Il trampolino deve essere fissato bene per evitare che venga spazzato via da temporali e violente raffiche di vento. Quindi, è necessario fissare il trampolino in più punti con dei dispositivi di ancoraggio (non meno di uno per gamba; non inclusi nel pacco) per assicurare il prodotto al suolo. In alternativa, è possibile spostare il prodotto in una zona riparata o smontarlo. In caso di cattivo tempo, non siamo responsabili per i danni causati dal mancato o dell'improprio ancoraggio del trampolino.

## Per il supervisore

- Rispettare tutte le regole di sicurezza e leggere con attenzione tutte le informazioni all'interno del manuale d'uso.
- Tutti gli utenti del trampolino hanno bisogno di un supervisore, a prescindere dall'età e dall'esperienza.
- Il trampolino può essere utilizzato solo quando il tappeto elastico è pulito e asciutto. Se questo presenta segni di usura o danni deve essere sostituito immediatamente.
- Gli oggetti che potrebbero essere pericolosi per l'utente devono essere tenuti a debita distanza dal trampolino.
- Non permettere agli animali di salire sul tappeto elastico per proteggere entrambi.
- Impedire l'utilizzo non autorizzato e non supervisionato del trampolino.
- Assicurarsi che l'utente entri nella rete di protezione come descritto nelle illustrazioni presenti sul tappeto di protezione delle molle.

## Per gli utenti

- Non usare il trampolino sotto l'effetto di alcol o droghe (inclusi i medicinali da banco o da ricetta).
- Si prega di perfezionare i salti e le posizioni fondamentali prima di provare salti più complessi.
- Interrompere la spinta elastica piegando le ginocchia nel momento in cui i piedi entrano in contatto con il tappeto elastico.
- Questa tecnica dovrebbe essere praticata durante l'apprendimento delle altre manovre e del controllo dell'equilibrio. Se perdi sempre l'equilibrio quando salti o se stai imparando le basi per saltare su un trampolino, allora dovresti comprendere come controllare la tua distribuzione del peso. Un salto viene considerato controllato quando il punto di atterraggio è lo stesso di quello di partenza. Se perdi il controllo durante i salti, piega e ginocchia durante l'atterraggio per riprendere il controllo e fermare il rimbalzo.
- Si prega di usare il trampolino a turni e di prestare attenzione agli altri utenti. L'utilizzo del trampolino potrebbe, come per qualsiasi tipo di attività sportiva, portare a infortuni. Tuttavia, ci sono tecniche che permettono di ridurre il rischio di infortunio. Nelle seguenti sezioni descriveremo le cause delle diverse lesioni, oltre a consigli e raccomandazioni per evitarle, sia per gli utenti che per i supervisori.

## Categorie di incidente

- Salti mortali: Atterrare sulla testa o sul collo, anche se questo avviene nel centro del trampolino, aumenta il rischio di infortunio al collo o alla schiena, che può portare alla paralisi o persino alla morte. Questo può verificarsi se l'utente fa un errore e cade più in avanti o più indietro. Non provare a realizzare salti mortali sul trampolino.
- La probabilità di infortunio aumenta quando il trampolino viene usato da più persone contemporaneamente a causa della difficoltà nel controllare il salto. Gli utenti potrebbero scontrarsi tra di loro, cadere al di fuori del trampolino, cadere sulle molle, o atterrare male sul tappeto elastico. In questo caso gli utenti più piccoli potrebbero farsi male facilmente.
- Arrampicarsi per salire e scendere dal trampolino: Il tappeto elastico si trova a circa un metro di altezza dalla superficie. Saltare dal trampolino al terreno o a un'altra superficie può portare a lesioni. Saltare sul trampolino da un tetto, un terrazzo o da una qualsiasi altra struttura può portare a lesioni. I bambini piccoli hanno bisogno di assistenza per salire e scendere dal trampolino. Fare attenzione quando si entra o si esce dal trampolino. Non stare in piedi sulle molle o sul loro tappeto protettivo. Non usare il tappeto protettivo delle molle per arrampicarsi sul trampolino.
- Colpire la struttura o le molle: Colpire la struttura o cadere sopra le molle può portare a lesioni. Si prega di rimanere al centro del tappeto elastico durante i salti. Assicurarsi che il tappeto protettivo delle molle rimanga fermo al suo posto coprendo la struttura e le molle. Il tappeto protettivo non è inteso per sostenere il peso di una persona. Non stare in piedi e non saltare direttamente sul tappeto protettivo.
- Perdita di controllo: Quando gli utenti perdono il controllo del proprio salto possono atterrare sul tappeto elastico nel modo sbagliato, oppure possono atterrare sulla struttura o sulle molle, o persino cadere al di fuori del trampolino. Un salto viene considerato controllato quando la persona che lo effettua parte e atterra nello stesso punto. Prima di provare a praticare manovre più complesse, è necessario perfezionare il salto controllato di base. Le manovre più complesse potrebbero superare le capacità dell'utente, risultando nel pericolo di perdere il controllo. Per recuperare il controllo del salto e atterrare correttamente, piegare completamente le ginocchia nel momento dell'atterraggio.

Sotto l'effetto di alcol o droghe: La possibilità di lesioni aumenta se l'utente è sotto l'effetto di alcol o droghe. Queste sostanze indeboliscono i riflessi, la facoltà di giudizio, la percezione dello spazio, la coordinazione e le funzionalità motorie.

- Collisione con oggetti: La possibilità di infortunio aumenta nel caso in cui altre persone, animali o oggetti si trovano al di sotto del trampolino al momento del salto, oppure saltando sul trampolino con in mano oggetti appuntiti o fragili, o posizionando il trampolino troppo vicino a cavi elettrici, rami o altri ostacoli.
- Scarsa manutenzione del trampolino: Gli utenti possono farsi male utilizzando il trampolino se questo è in cattivo stato. Un tappeto elastico lacerato, una struttura piegata, molle mancanti o tappeto protettivo mancante devono essere sostituiti prima di utilizzare il trampolino. Il trampolino deve essere controllato prima di ogni singolo utilizzo.
- Condizioni climatiche: Un tappeto elastico bagnato è troppo scivoloso per poter saltare in sicurezza. Le raffiche di vento forti possono comportare una perdita di controllo durante il salto. Per minimizzare le possibilità di infortunio, il trampolino deve essere usato solo nelle condizioni climatiche adeguate.

## Metodi di prevenzione degli infortuni

### Ruolo dell'utente nella prevenzione degli infortuni

- Una conoscenza di base del trampolino è fondamentale per la sicurezza.
- Tutti gli utenti del trampolino devono per prima cosa imparare ad effettuare un salto controllato, cos' come le posizioni di atterraggio essenziali e le combinazioni prima di procedere con gli esercizi più avanzati.
- Gli utenti devono comprendere il motivo dietro la necessità di padroneggiare il controllo prima di allenarsi per altri movimenti.
- Un salto viene considerato controllato quando chi lo effettua parte ed atterra nello stesso punto.
- La prima lezione è la comprensione dell'ordine corretto per lo sviluppo delle abilità nel salto sul trampolino.
- Per ulteriori informazioni o materiale per esercizi rivolgersi a un insegnante specializzato.

### Ruolo del supervisore nella prevenzione degli infortuni

- Il supervisore ha la responsabilità di garantire che gli utenti utilizzino il trampolino sempre sotto la supervisione di una persona preparata.
- Le regole e le avvertenze presenti in questo manuale vanno applicate e comprese da tutti gli utenti del trampolino, in modo da ridurre le possibilità di incidenti e infortuni.
- Nel caso in cui la supervisione non sia possibile o sufficiente, il trampolino deve essere smontato e riposto in un luogo sicuro per impedire l'uso non autorizzato.

ES

## Acerca del manual

- Por favor, lea detenidamente las instrucciones y respete los debidos usos del producto.
- Por favor, conserve bien este manual y en caso de cesión, no omita entregarlo junto al producto.
- Este manual podría no incluir todos los detalles de cada paso del montaje. Si necesita ayuda o información adicional, póngase en contacto con nosotros.

## Advertencias

- Este producto es recomendado sólo para el uso doméstico en el exterior, no es para uso industrial o público. No se permite usar de una forma que no esté descrita ni reproducirse sin autorización, y resultó en daño físico a la persona o al producto. Este producto debe ser instalado y usado siguiendo estrictamente las instrucciones en el manual incluido. Por cualquier daño causado por no seguir lo que se indica durante su ensamblaje o uso, los fabricantes no asumen responsabilidades.
- Este es un producto para hacer ejercicio. Caliente antes de usarse. De otra forma podrían producirse calambres, deterioro o cansancio muscular entre otros daños. No se sobre esfuerce. Cuando se sienta cansado, o cuando ya no tenga fuerza en las piernas, tome un descanso. Sino podrá causar serios daños.
- Peso del usuario:  $\leq 150\text{kg}$
- No use este producto si se encuentra dañado o defectuoso.
- Inspeccione que este producto se encuentre intacto antes de usarse. Las partes defectuosas deben ser reemplazados de forma inmediata ya que estas podrían impedir el correcto uso y seguridad del producto.
- Este manual contiene instrucciones para su armado, precauciones y cuidados/mantenimiento para los trampolines, para asegurar su uso correcto y pleno del trampolín.
- Antes de usar el trampolín, o dejar que alguien más lo use, todas las precauciones deben ser leídas y entendidas a la perfección.
- Es responsabilidad del dueño o supervisor garantizar que todos los usuarios del trampolín se encuentren lo suficientemente informados sobre todos los peligros y medidas de seguridad a tomar.
- Toda la gente que se encuentre usando el trampolín deberá estar familiarizado con las recomendaciones brindadas por el fabricante para un apropiado ensamblaje, uso y mantenimiento del trampolín.
- Recomendamos el uso de la red de seguridad, ya que no solo vendemos trampolines, sino que también incluimos redes de seguridad. Por favor note que cada consumidor deberá tomar responsabilidad al tomar la decisión de no usar una red de seguridad.
- Nuestra compañía ni nuestros fabricantes nos hacemos responsables de cualquier daño causado por un mal uso al no seguir las instrucciones de seguridad, cualquier pérdida por robo o causado por condiciones climáticas, como también cualquier pérdida causado por cualquier otra razón. Si fue por un defecto notorio de manufactura o producción, el vendedor se hará responsable de esto.

## Montaje

- El ensamblaje del producto se debe hacer con mucho cuidado y por lo menos con 3 personas adultas. Si tiene alguna duda, pregúntele a una persona calificada.

- Antes de empezar el ensamblaje, por favor lea las instrucciones cuidadosamente y vea la ilustración de ensamblaje.
- Remueva los materiales del empaque y ponga todo en un espacio vacío. Esto le dará una vista previa y facilitará el ensamblaje.
- Revise la lista de partes y cheque que no haga falta ni una pieza. Deseche todos los materiales de empaque cuando haya terminado con el ensamblaje.
- Cree una zona libre de peligro; por ejemplo, no deje herramientas regadas en la zona de trabajo. Almacene todos los materiales del empaque de una forma que no puedan causar daño. Los plásticos o bolsas pueden ser muy peligrosos para niños (¡peligro de sofocación!)
- Tenga cuidado ya que siempre hay riesgo de sufrir daño al usar las herramientas o durante el ensamblaje. Así que, arme el producto cuidadosamente.
- Al montar o desmontar el producto, por favor utilice guantes para proteger sus manos.
- El trampolín sólo puede ser usado en una superficie plana.
- El trampolín no deberá ser enterrado.
- Se permite poner el trampolín sobre el pasto. ¡No lo ponga en una superficie resbalosa!
- Los trampolines no deberán ser ensamblados sobre concreto, asfalto o cualquier otra superficie rígida o que se encuentren cerca de otras zonas como el área cerca de la piscina, columpios, resbaladillas, y pasamanos.
- Por favor, preste atención para mantener un espacio apropiado y despejado sobre la cabeza o por encima del trampolín! Por encima del trampolín es necesario un espacio libre y despejado de al menos 9,5 m. No use el trampolín en áreas cerradas, en áreas protegidas o debajo de árboles. Por favor, despeje las ramas de los árboles circundantes, cables eléctricos, etc. para evitar lesiones.
- Asegúrese de que haya suficiente espacio de actividad horizontal. El trampolín debe mantener una distancia de al menos 3 m de edificios, paredes, cercas o cables eléctricos.
- La estructura metálica del trampolín conducirá la electricidad. Por favor, monte el trampolín lejos de todas las fuentes de alimentación. Nunca se debe permitir que todos los equipos eléctricos entren en contacto con el trampolín.
- El trampolín en las inmediaciones de otras instalaciones recreativas y construcciones no debe ser utilizado.
- Si el trampolín es colocado en áreas con sombras o bajo techo, asegúrese que haya iluminación apropiada.
- No coloque objetos debajo del trampolín.
- Después de montar el producto de acuerdo a las instrucciones, por favor asegúrese de que todos los tornillos, tuercas y pernos estén ajustados de la forma correcta y justa, y que todas las piezas del marco hayan sido ensambladas de forma correcta.
- Trate de evitar mover el trampolín una vez ensamblado, ya que podría doblarse por la tensión de los resortes. Si tiene que hacer, por favor considere lo siguiente:
- Durante la transportación, por lo menos 4 personas deberán distribuirse alrededor del trampolín y levantarlo del piso.
- El trampolín deberá ser movido de forma horizontal.
- Tenga cuidado al mover el trampolín, de lo contrario, el marco se desformará.
- Si esto sucede, entre las 4 personas intenten ajustar el marco a su forma original.

## Uso

- Los niños podrán usar el trampolín solo bajo supervisión adulta y con el conocimiento adecuado.
- El uso incorrecto o abuso del trampolín podría ser peligroso o causar serios daños.
- Tenga cuidado de que los resortes usados en el trampolín generan inmensa elasticidad y podría aventar a una persona fuera del tapete del trampolín, llegando a grandes alturas y causar que el cuerpo se mueva de formas inusuales o en direcciones extremas. Solo use el trampolín si usted se encuentra en buen estado físico y que también conozca los riesgos que podrían surgir al usarlo.
- Use el producto solo en superficies planas, que no sean resbalosas y resistentes.
- Por favor vacíe sus bolsillos antes de subirse. No suba ningún objeto al trampolín, y no ponga nada sobre este.
- No utilice pantuflas o tenis al momento de saltar. Las personas que se suban deberán permanecer descalzos, o solo utilizar zapatos de gimnasia.
- No utilice ropa con ganchos u objetos similares, ya que podrán engancharse al trampolín.
- La ropa que deberá usarse es una playera y shorts. Los principiantes también podrán usar equipo protector, como lo son playeras de mangas largas y pantalones para entrenar, hasta que aprendan a caer de forma controlado. Esto evitará que se lastimen los codos o rodillas al momento de caer de forma incorrecta.
- Siempre mantenga cerrada la apertura de la red antes de empezar a saltar.
- No coma durante o antes de saltar.
- Para subirse de forma correcta al trampolín, los principiantes siempre deberán seguir una regla fija. Queriendo decir, que siempre se deberá usar la escalera que viene incluida en el paquete para entrar o salir del trampolín a través de la entrada de la red. No salte directamente sobre el trampolín o salte para salirse del trampolín.
- No trate de entrar al trampolín arrastrándose por debajo de la red de seguridad.
- No salte desde un árbol, balcones o cualquier lugar alto hacia el trampolín, y no utilice el trampolín como una plataforma de lanzamiento.
- Nunca salte desde el trampolín directamente hacia el suelo, sin importar que haya un tapete suave sobre el suelo.
- Cuando se suba o baje del trampolín, los niños que utilicen el trampolín requerirán asistencia. Siempre tenga a la vista la escalera y agarre el mango de las barras verticales sobre esta cuando se suba o baje del trampolín, y asegúrese de tener contacto firme entre su pie y la barra horizontal de la escalera.
- Para subirse al trampolín de forma correcta, ponga las manos sobre el marco, súbase al marco, cruce los resortes y pise sobre el tapete para saltar.
- Para bajarse del trampolín de forma correcta, vaya a la orilla del trampolín, siéntese y use la escalera para salir.
- El trampolín no deberá exceder de la carga máxima indicada.
- Asegúrese e más de una persona no utilice el producto al mismo tiempo. Dos o más personas saltando al mismo tiempo podrían causar un accidente.
- Siempre manténgase en el centro del tapete para saltar. Deje de saltar completamente si usted se ha alejado más de 50 cm del centro, y regrese al centro del trampolín para seguir saltando. Esto reducirá el riesgo de sufrir daños al aterrizar sobre un resorte o fuera del trampolín.
- No se pare sobre la cobertura de los resortes ya que no está hecha para soportar el peso de una persona.
- Para dejar de saltar, doble sus rodillas al momento de que sus pies hagan contacto con el tapete. Masterice esta técnica antes de aprender nuevas.
- Masterice los saltos básicos antes de intentar técnicas más avanzadas. Usted puede combinar movimientos básicos y una variedad de combinaciones sin pasar

- directamente a los saltos de dificultad media para hacer varias secuencias sobre el trampolín.
- Evite saltar muy alto. Mantenga sus saltos a una altura baja para tener control suficiente y siempre poder caer en el centro del trampolín. Mantenga sus ojos siempre sobre el trampolín para poder controlar sus saltos.
- Por favor solo haga rotaciones fáciles y cortas al momento de saltar.
- Pueden ocurrir severos daños (como parálisis, fractura o muerte) si cae sobre su cabeza o cuello. Especialmente al momento de saltar y realizar acrobacias, esto podría ser muy peligroso.
- Ponga atención, no deje que sus brazos y piernas se acerquen a las partes del trampolín mientras se encuentra en movimiento. No introduzca ningún material en las aperturas del producto.
- No salte por periodos largos de tiempo sin tomar un descanso, ya que al estar exhausto podría causar un accidente.
- Las personas que salten siempre deberán tomarse turnos al momento de saltar. Saltar por periodos largos de tiempo podría causar accidentes.
- No use el trampolín bajo la influencia del alcohol o drogas (incluyendo. Medicinas bajo prescripción).
- ¡ Por favor solo salte en el trampolín si está seco! Tampoco deberá saltar si hay fuertes vientos. Un trampolín mojado y una clima húmedo podrán causar accidentes.
- Evite acercar objetos punzocortantes al trampolín.
- Nadie deberá ponerse debajo del trampolín. Estos no proveen de protección contra el clima.
- Cuando utilice el trampolín en exterior, el viento deberá estar calmado. No lo utilice si hay fuertes vientos.
- Durante invierno en algunos países, el peso de la nieve y bajas temperaturas podrán destruir el trampolín. Se recomienda limpiar regularmente el trampolín y quitar cualquier exceso de nieve y colocar la red de seguridad y tapete en interiores, trate de mantenerlos secos.
- No utilice el trampolín si encuentra daño o anomalía, o cuando no cumpla con las condiciones requeridas. Por favor asegúrese de que no se utilicen hasta que regrese a sus condiciones indicadas.
- El dueño del trampolín se hace responsable de asegurar que todos los usuarios se encuentren familiarizados con las instrucciones que se encuentran en el manual.

## Cuidado y mantenimiento

- El trampolín está hecho de material de alta calidad. Si le da el cuidado y manutención adecuada, usted se mantendrá satisfecho con su producto por años. Por favor ponga atención a todas las instrucciones de manutención.
- No haga cambios a la estructura.
- Revise todos los resortes y todas las conexiones con tornillos de forma regular y ajuste si es necesario, para evitar que se pierdan al momento de usarse.
- Revise de forma regular si la cubierta del resorte sigue en su lugar.
- Si surgen esquinas filosas, el producto no podrá seguir siendo usado.
- Revise el trampolín por si hay partes que hagan falta, daños y cualquier señal de desgaste después de cada uso. Partes defectuosas o faltantes deberán ser reemplazadas inmediatamente.
- El clima sea la luz directa del sol, lluvia, nieve y temperaturas extremas pueden dañar el tapete, cubierta del resorte y la red de seguridad. Por favor revise de forma regular si estas partes se encuentran dañadas o si aún pueden aguantar el peso del usuario.
- Para su propia seguridad, use las partes de repuesto original, que pueden ser conseguidas de Songmics. Si tiene alguna duda, por favor póngase en contacto con el equipo de soporte al cliente.
- Proteja el producto contra el agua, humedad, altas temperaturas y el sol. Si no piensa usar el trampolín, le recomendamos que use un protector adecuado para proteger el trampolín de los efectos del clima. Si está expuesto a la intemperie sin protección, el daño que le pueda ocurrir no será cubierto por la garantía.
- Los vientos fuertes pueden hacer que el trampolín salga volando. Por favor note. si se esperan fuertes vientos, mueva el trampolín a algún lugar protegido o desarme. La red de seguridad y el trampolín podrían ser peligrosos si salen volando, causando daño a otros objetos o a personas.
- Mantenga el trampolín perno y no permite un acceso restringido cuando no está en uso. El supervisor debe quitar la escalera cuando se salga del área del trampolín para que los niños menores de 6 años sin supervisión no se suban al trampolín.
- Los trampolines siempre deberán estar almacenados en lugares frescos y secos, o también de preferencia en su caja original. Lubrique todas las conexiones para protegerlo antes de guardarlo.
- Guarde el producto en un lugar perno y a prueba del clima para evitar daño al producto o a personas.
- Por favor note que el detergente, la temperatura del agua y método de lavado sean los apropiados. Recomendamos a los usuarios que lo cepille suavemente con agua tibia usando un cepillo de cerdas suaves.

## Advertencias Peligros para los niños

- ¡ Advertencia! Los trampolines exceden de 0,5 m de altura no son recomendados para niños menores de 6 años! Los niños no pueden reconocer los peligros de este producto. Aleje a los niños de este producto.
- Los trampolines no son un juguete. El producto debe ser almacenado lejos del alcance de los niños y mascotas.
- ¡ Esté consciente de que los materiales del empaque son peligrosos para los niños! ¡Se pueden sofocar con estos!

## Riesgo de daños

- El uso del trampolín puede, como con cualquier tipo de deportes recreativos, llevar a tener daños físicos. Incluso caer sobre el tapete del trampolín podría causar daños, especialmente a su espalda, cuello o cabeza.
- No caiga sobre su cuello o cabeza. Hay un alto riesgo de quedar paralizado, incluso aunque caiga en medio del trampolín. No trate de hacer una pirueta, para evitar caer sobre su cabeza o cuello.
- Dispositivos de salto Trampolinesare, que permiten al usuario saltar a alturas inusuales y a una multiplicidad de movimientos corporales. Saltar desde el

- trampolín, golpear los marcos o muelles, o aterrizaje incorrecto en el trampolín puede ocasionar lesiones.
- Asegúrese de que no más de una persona use el trampolín a la vez. Si más de una persona salta en el trampolín y pierde el control de su trayectoria, las posibilidades de tener un accidente, ya que los usuarios podrían chocar y salir del trampolín. Esto podría llevar a tener daños en el cráneo, cuello, espalda o piernas.
- El trampolín solo puede ser usado bajo el cuidado de una persona con experiencia o por lo menos que haya leído el manual. No utilice el trampolín sin supervisión, sin importar la edad o experiencia.
- Siempre siga las instrucciones de seguridad del trampolín. El uso del trampolín podría llevarlo a tener un severo accidente, incluyendo daños permanentes, como la parálisis o incluso la muerte.
- Los defectos del producto serán anunciados de forma inmediata por el vendedor, fabricante o importador, y deberán ser arreglados de forma inmediata antes de continuar con su uso. El comprador o usuario del trampolín tiene que inspeccionar el producto de forma regular para ver que no tenga desgaste o daño.
- La red de seguridad y el trampolín podrían ser peligrosos con vientos fuertes. Cuando esto suceda, esto podría ser muy peligroso para otros objetos o personas. Bajo efectos de clima fuertes como tormentas o fuertes vientos, el trampolín deberá mantenerse fijo en un lado para evitar que salga volando. Para eso, se requiere un número adecuado de anclas (para cada pie del trampolín, no incluidas en el paquete); para asegurarse que esté bien sujeto. La alternativa, es guardarlo en un lugar protegido o desarmarlo. En el caso de que haya mal clima, no nos hacemos responsables de los daños que pueda recibir su trampolín si no fue guardado correctamente.

## Para el supervisor

- Siga todas las reglas de seguridad y familiarícese con la información que puede encontrar en el manual de usuario.
- Todos los usuarios del trampolín necesitan un supervisor, sin importar la edad o experiencia del usuario.
- El trampolín solo puede ser usado si el tepe se encuentra limpio y seco. Un tapete para saltar con desgaste o daño debe ser reemplazado de forma inmediata.
- Los objetos, que puedan causar daño al usuario, deberán ser removidos del área.
- No lleve mascotas al tapete para saltar para proteger la salud del animal y del tapete.
- Evite el uso no autorizado y sin supervisión del trampolín.
- Asegúrese que de que el usuario entre al trampolín a través de la entrada de la red de seguridad.

## Para las personas que van a saltar

- No utilice el trampolín bajo las influencias del alcohol o drogas.
- Por favor estudie las posiciones fundamentales de salto y del cuerpo antes de intentar saltos difíciles.
- Puede parar de saltar si al momento de que sus pies toquen el tapete dobla las rodillas.
- Esta técnica deberá ser practicada mientras se encuentra aprendiendo el balance y control de otros movimientos. Si usted siempre pierde el balance al saltar o si solo está aprendiendo lo básico para saltar en el trampolín, usted deberá aprender a cómo controlar la distribución de su peso. Un salto controlado es considerado cuando usted caiga siempre en el mismo lugar. Si usted puede el control cuando se encuentra saltando sobre el trampolín, doble sus rodillas rápidamente cuando caiga para permitirle recuperar el control y parar de saltar.
- Por favor tómense turnos al saltar y ponga atención a los otros usuarios.
- Para más información o documentos de ejercicio, por favor consulte con un profesional de salto de trampolín. El uso del trampolín, como con cualquier otro deporte recreativo, puede llevar a causar accidentes. Pero hay formas de reducir este riesgo. En las siguientes secciones, la causa básica de accidentes es enfatizada y se darán tips sobre la responsabilidad del supervisor y de los usuarios para evitar accidentes.

## Categoría de accidentes

- Piruetas: Caer sobre la cabeza o cuello, incluso si cae en el centro del trampolín, esto incrementa el riesgo de daños al cuello o espalda, y esto a su vez puede llevarlo a quedar paralizado o incluso a la muerte. Esto puede ocurrir si el usuario comite un error y cae mal o de espaldas. No se deben intentar piruetas en el trampolín.
- La probabilidad de sufrir un accidente aumentan si más de una persona salta en el trampolín y pierde el control de su salto. Los usuarios podrían chocar y caer del trampolín, o sobre los resortes o caer de forma errónea sobre el tapete de salto. Los usuarios más pequeños corren más peligro de sufrir daños en este tipo de casos.
- Subirse y bajarse del trampolín: El tapete de salto debe estar aproximadamente a un metro de altura sobre el suelo. Caer fuera del trampolín puede llevarlo a sufrir un severo accidente. Saltar sobre el trampolín desde un techo, terraza o desde otros objetos podría llevarlo a sufrir un accidente. Los niños pequeños requieren asistencia al subirse o bajarse de un trampolín. Tenga cuidado cuando se suba o baje del trampolín. No se pare sobre los resortes o sobre el tapete de salto. No utilice la cubierta de los resortes para subirse o bajarse del trampolín.
- Pegarle al marco o los resortes: Pegarle al marco o a los resortes puede llevarlo a sufrir un accidente cuando se encuentre saltando sobre el trampolín. Siempre manténgase en el centro cuando salte. Asegúrese de que la cubierta de los resortes se mantenga en su lugar. La cubierta de los resortes no está hecha para aguantar el peso de una persona. No se suba o salte directamente sobre el tapete del marco.
- Pérdida de control: cuando los usuarios pierden el control al saltar, pueden caer sobre el tapete de forma errónea, o caer sobre el marco o resortes, o incluso salirse del trampolín. Un salto controlado es cuando la persona cae siempre en el mismo lugar. Antes de intentar un salto más complejo, se deberá perfeccionar la técnica de un salto controlado. Si se intenta hacer una maniobra que exceda las habilidades del usuario, corren peligro de perder el control. Para poder recuperar el control del salto y caer de la forma correcta, las rodillas siempre deberán estar dobladas al momento de caer.
- Bajo la influencia del alcohol o drogas: El riesgo de sufrir un accidente aumenta, si el usuario está bajo la influencia del alcohol o drogas. Estas sustancias alentan la respuesta, juicio, consciencia del espacio, coordinación y funciones motoras del usuario.
- Colisión con objetos: La posibilidad de un accidente aumentará, si otras personas, animales u objetos se encuentran bajo el trampolín, saltar sobre el trampolín mientras se tiene un objeto filoso o frágil, o poner el trampolín cerca de cables eléctricos, ramas de árboles u otros objetos.

- Mal mantenimiento del trampolín: Los usuarios pueden salir heridos si el trampolín está en malas condiciones. Un tapete roto, el marco doblado, resortes u cubiertas faltantes deberán ser reemplazadas de inmediato antes de usarse de nuevo. EL trampolín deberá ser examinado antes de cada uso.
- Condiciones climáticas: un tapete mojado puede ser muy resbaladizo para usarse. Fuertes vientos podrían llevarlo a perder el control de sus saltos. Para reducir el riesgo de salir herido, el trampolín deberá ser usado en condiciones climáticas adecuadas.





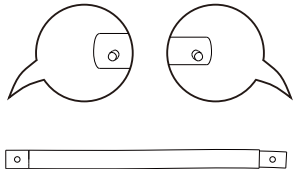
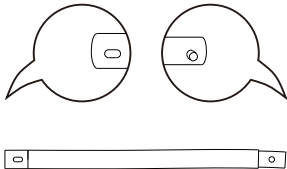


## **Métodos para prevenir accidentes**


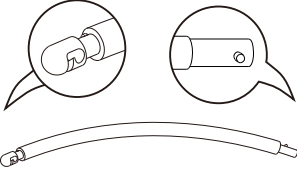

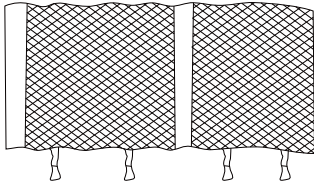




### **El rol del usuario para prevenir accidentes**

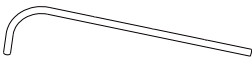


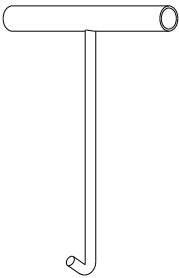

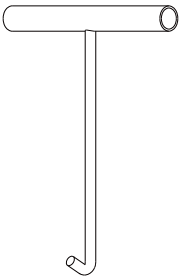


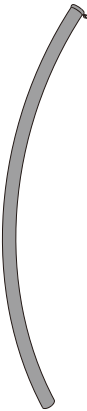
- Un conocimiento básico del trampolín por parte del usuario es esencial para la seguridad.
- Todos los usuarios del trampolín deberán aprender a cómo hacer saltos controlados y las posiciones fundamentales para aterrizar, todo esto antes de pasarse a saltos más avanzados.
- Los usuarios deben de entender el porque deben aprender a controlar sus saltos antes de pasarse a otros movimientos.
- Un salto controlado es cuando uno cae siempre en la misma posición.
- La primera lección es entender el orden correcto para desarrollar habilidades de salto en el trampolín.
- Para más información o materiales de ejercicio, por favor consulte con un maestro profesional de trampolín.

### **Rol del supervisor para evitar accidentes**

- Es responsabilidad del supervisor garantizar de que los usuarios usen el trampolín bajo una supervisión razonable y con experiencia.
- Las reglas y advertencias en este manual deberán ser aplicadas y conocidas por los usuarios del trampolín para poder reducir el riesgo de accidentes o heridas.
- En caso de que no haya supervisión, el trampolín deberá ser desarmado y almacenado en un lugar perno.

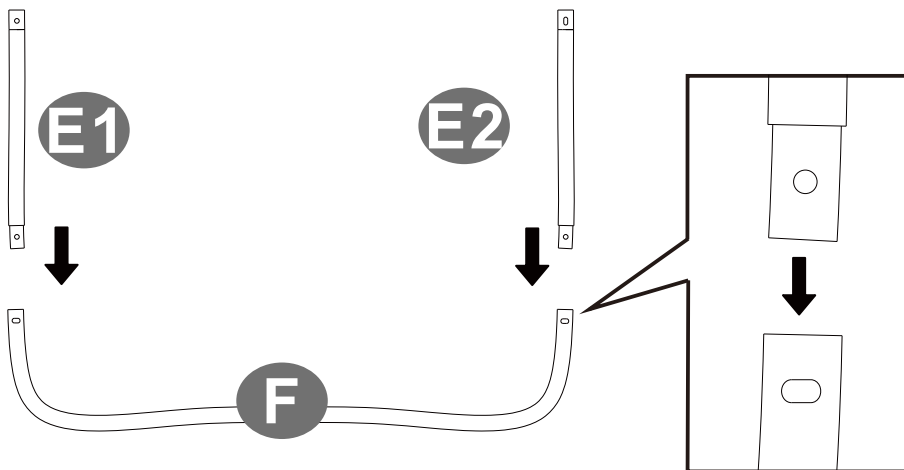
<p><b>A</b> × 1</p> 	<ul style="list-style-type: none"> <li>• Jumping mat</li> <li>• Sprungmatte</li> <li>• Tapis de saut</li> <li>• Tappeto elastico</li> <li>• Tapete de salto</li> </ul>	<p><b>B</b> × 64</p> 	<ul style="list-style-type: none"> <li>• Springs</li> <li>• Feder</li> <li>• Ressort</li> <li>• Molle</li> <li>• Resortes</li> </ul>
<p><b>C</b> × 4</p> 	<ul style="list-style-type: none"> <li>• Frame without T-connectors</li> <li>• Rahmenteil ohne T-Verbindungsstücke</li> <li>• Cadre sans raccord en T</li> <li>• Telaio senza connettori a T</li> <li>• Tubo sin conectores en T</li> </ul>	<p><b>D</b> × 4</p> 	<ul style="list-style-type: none"> <li>• Frame with T-connectors</li> <li>• Rahmenteil mit T-Verbindungsstücken</li> <li>• Cadre avec raccords en T</li> <li>• Telaio con connettori a T</li> <li>• Tubo con conectores en T</li> </ul>
<p><b>E1</b> × 4</p> 	<ul style="list-style-type: none"> <li>• Leg joint pole</li> <li>• Verlängerungsbein</li> <li>• Rallonge de pied</li> <li>• Palo di raccordo</li> <li>• Barra de unión de la pata</li> </ul>	<p><b>E2</b> × 4</p> 	<ul style="list-style-type: none"> <li>• Leg joint pole</li> <li>• Verlängerungsbein</li> <li>• Rallonge de pied</li> <li>• Palo di raccordo</li> <li>• Barra de unión de la pata</li> </ul>
<p><b>F</b> × 4</p> 	<ul style="list-style-type: none"> <li>• U-shaped leg</li> <li>• Standbein</li> <li>• Pied d'appui (base de pied en U)</li> <li>• Gamba a U</li> <li>• Pata en forma de U</li> </ul>	<p><b>G</b> × 1</p> 	<ul style="list-style-type: none"> <li>• Spring guard mat</li> <li>• Rahmenabdeckung</li> <li>• Coussin de protection du cadre</li> <li>• Tappeto protettivo delle molle</li> <li>• Cubierta de los resortes</li> </ul>

<p><b>H</b> × 7</p> 	<ul style="list-style-type: none"> <li>• Rope</li> <li>• Schnur</li> <li>• Cordelette</li> <li>• corda</li> <li>• Cuerda</li> </ul>	<p><b>I</b> × 4</p> 	<ul style="list-style-type: none"> <li>• Enclosure poles (upper)</li> <li>• Netzstange (oben)</li> <li>• Montant de filet (haut)</li> <li>• Pali di recinzione (superiori)</li> <li>• Postes de cerrado (superior)</li> </ul>
<p><b>J</b> × 4</p> 	<ul style="list-style-type: none"> <li>• Enclosure poles (lower)</li> <li>• Netzstange (unten)</li> <li>• Montant de filet (bas)</li> <li>• Pali di recinzione (inferiori)</li> <li>• Postes de cerrado (inferior)</li> </ul>	<p><b>K</b> × 1</p> 	<ul style="list-style-type: none"> <li>• Safety enclosure net</li> <li>• Sicherheitsnetz</li> <li>• Filet de sécurité /de protection</li> <li>• Rete di sicurezza</li> <li>• Red de seguridad</li> </ul>
<p><b>M</b> × 4</p> 	<ul style="list-style-type: none"> <li>• Long screw</li> <li>• Lange Schraube</li> <li>• Vis longue</li> <li>• Vite lunga</li> <li>• Tornillo largo</li> </ul>	<p><b>N</b> × 4</p> 	<ul style="list-style-type: none"> <li>• Cross recessed pan head screw</li> <li>• Schraube für Leiter</li> <li>• Vis pour échelle</li> <li>• Vite a testa piatta con impronta a croce</li> <li>• Tornillo con cabeza de cruz</li> </ul>
<p><b>P</b> × 8</p> 	<ul style="list-style-type: none"> <li>• Universal pad</li> <li>• Unterlegscheibe</li> <li>• Rondelle</li> <li>• Imbottitura universale</li> <li>• Arandela universal</li> </ul>	<p><b>Q</b> × 8</p> 	<ul style="list-style-type: none"> <li>• Universal screw cap</li> <li>• Schraubenmutter</li> <li>• Écrou</li> <li>• Tappo a vite universale</li> <li>• Cabeza universal de tornillo</li> </ul>

<p><b>R1</b> × 2</p> 	<ul style="list-style-type: none"> <li>• Ladder</li> <li>• Leiter</li> <li>• Échelle</li> <li>• Scala</li> <li>• Escalera</li> </ul>	<p><b>S</b> × 1</p> 	<ul style="list-style-type: none"> <li>• Cross recessed screwdriver</li> <li>• Kreuzschlitzschrauben dreher</li> <li>• Tournevis cruciforme</li> <li>• Cacciavite a croce</li> <li>• Destornillador de cruz</li> </ul>
<p><b>R2</b> × 2</p> 	<ul style="list-style-type: none"> <li>• Spring hook</li> <li>• Federhaken</li> <li>• Outil de tension des ressorts</li> <li>• Gancio per mole</li> <li>• Gancho del resorte</li> </ul>	<p><b>T</b> × 1</p> 	<p><b>U</b> × 1</p> 
<p><b>T</b> × 1</p> 	<ul style="list-style-type: none"> <li>• Spring hook</li> <li>• Federhaken</li> <li>• Outil de tension des ressorts</li> <li>• Gancio per mole</li> <li>• Gancho del resorte</li> </ul>	<p><b>U</b> × 1</p> 	<ul style="list-style-type: none"> <li>• Allen wrench</li> <li>• Sechskantschlüssel</li> <li>• Clé à six pans</li> <li>• Chiave a brugola</li> <li>• Llave Allen</li> </ul>
<p><b>V</b> × 8</p> 	<ul style="list-style-type: none"> <li>• Fiberglass Rod</li> <li>• Glasfaserrohre</li> <li>• Tige en fibre de verre</li> <li>• Asta in Fibra di Vetro</li> <li>• Varilla de fibra de vidrio</li> </ul>	<p><b>W</b> × 4</p> 	<ul style="list-style-type: none"> <li>• Protective Sleeve</li> <li>• Schutzhülle</li> <li>• Housse de protection</li> <li>• Guaina di Protezione</li> <li>• Funda de protección</li> </ul>

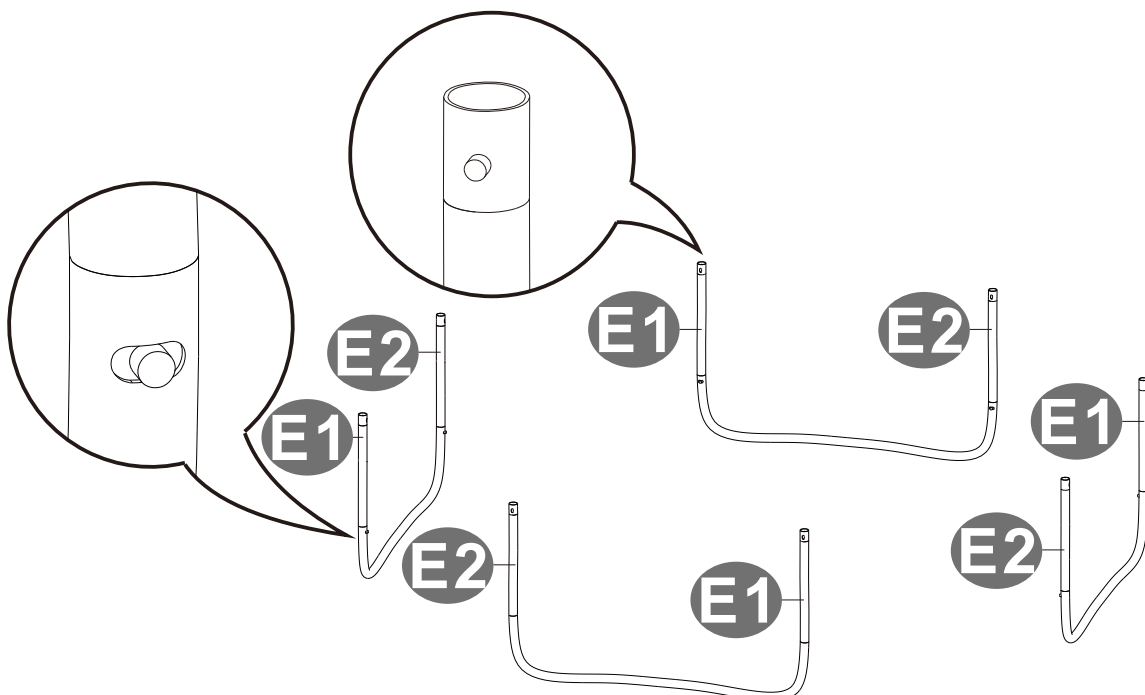
1

- Attach the U-shaped leg (F) to the leg joint pole(E) together.
- Stecken Sie die Verlängerungsbeine (E) seitlich auf die Standbeine (F).
- Insérez latéralement les rallonges de pieds (E) dans les pieds d'appui (F).
- Connettere le gambe a U (F) ai pali di raccordo (E).
- Junte la pata en forma de U(F) y la barra de unión de la pata (E) juntos.



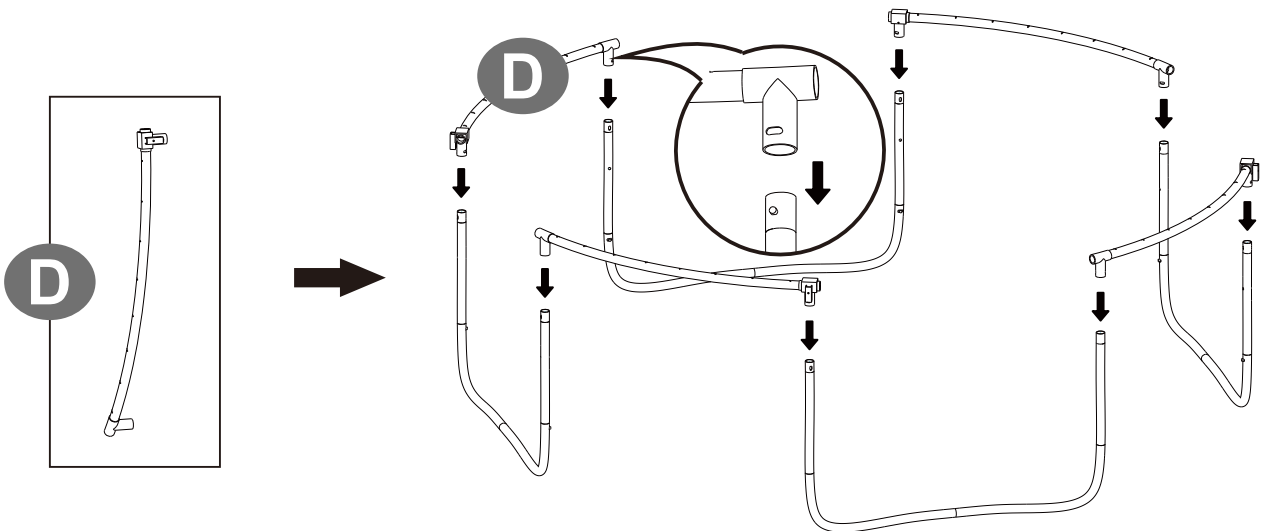
2

- After assembly of the 4 groups of U-shaped legs is complete, ensure that all the pins are ejected.
- Stellen Sie nach der Montage der 4 Standbeine sicher, dass alle Arretierungsfedern in den Arretierungsöffnungen eingerastet sind.
- Après l'assemblage des 4 pieds d'appui avec les 8 rallonges de pieds, assurez-vous que tous les boutons d'arrêt à ressort s'encliquent dans les ouvertures d'arrêt.
- Dopo aver assemblato i 4 gruppi di gambe a U assicurarsi che tutti i perni siano bloccati nelle fessure.
- Después de que esté completa el armado de los 4 grupos de patas en forma de U, asegurarse que todos los pernos hayan sido sacados.



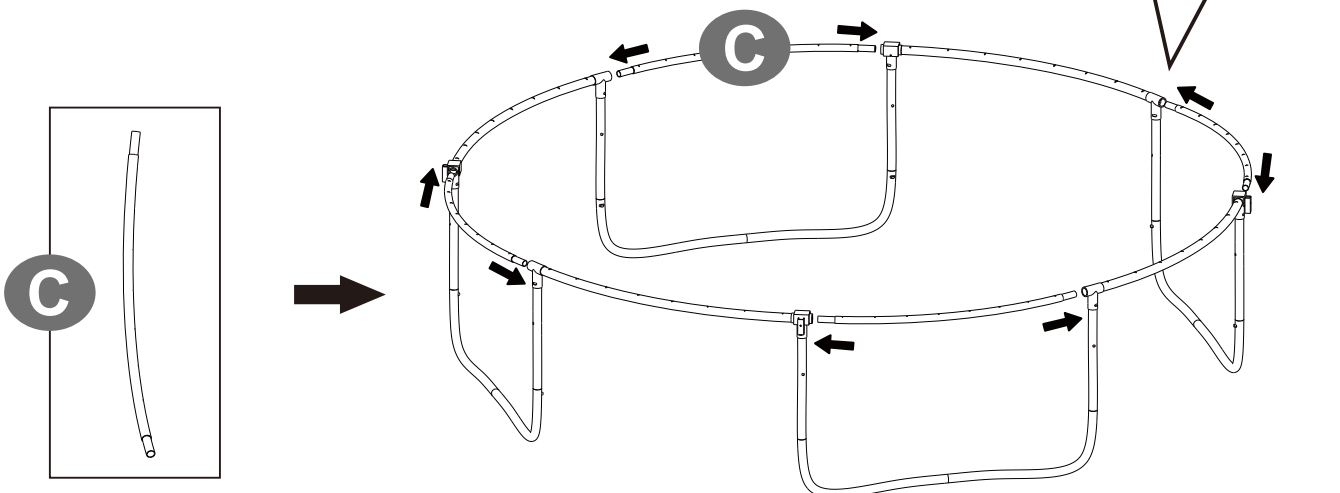
**3**

- As shown in the picture, attach the properly assembled U-shaped legs with the top frame(D) to ensure that the leg joint pole(E) is completely inserted into the T-shaped jacket attached with the top frame(D) (adjust the opening direction of the side hole of the leg joint pole(E) before pressing to ensure that the screw hole of both the leg joint pole(E) and the T-shaped jacket is facing one-to-one.)
- Verbinden Sie die fertig montierten Standbeine einander mit den Rahmenteilen (D), wie in der Abbildung dargestellt. Verwenden Sie hierzu die T-Verbindungsstücke. Stellen Sie sicher, dass diese komplett auf die Verlängerungsbeine (E) geschoben werden. (Stellen Sie zudem sicher, dass die Schraubenlöcher der Verlängerungsbeine (E) und der T-Verbindungsstücke übereinanderliegen.)
- Comme indiqué sur le dessin, reliez les pieds d'appui montés aux éléments du cadre (D) les uns après les autres; assurez-vous que les rallonges de pied (E) sont complètement enfoncées dans les jonctions de raccord en T des éléments du cadre (D). (Assurez-vous que les trous de vis des rallonges de pied (E) et des raccords en T sont alignés puis poussez les raccords vers le bas.)
- Come mostrato nella figura, collegare le gambe a U con la struttura superiore (D) per assicurarsi che i pali di raccordo (E) siano inseriti completamente nel rivestimento a forma di T della struttura superiore (D) (regolare la direzione dell'apertura del foro laterale dei pali di raccordo (E) prima di premere per assicurarsi che le aperture del palo di raccordo (E) e il rivestimento a forma di T siano rivolte una verso l'altra.)
- Como se muestra en la imagen, monte las patas en forma de U al marco superior (D) para asegurar que la barra de unión de la pata (E) esté completamente insertada dentro de la chaqueta en forma de T con el marco superior (D) (ajuste la dirección de apertura del orificio del costado de la barra de unión de la pata (E) antes de presionar para asegurar que el orificio del tornillo de la pata (E) y de la chaqueta en forma de T estén alineadas.)



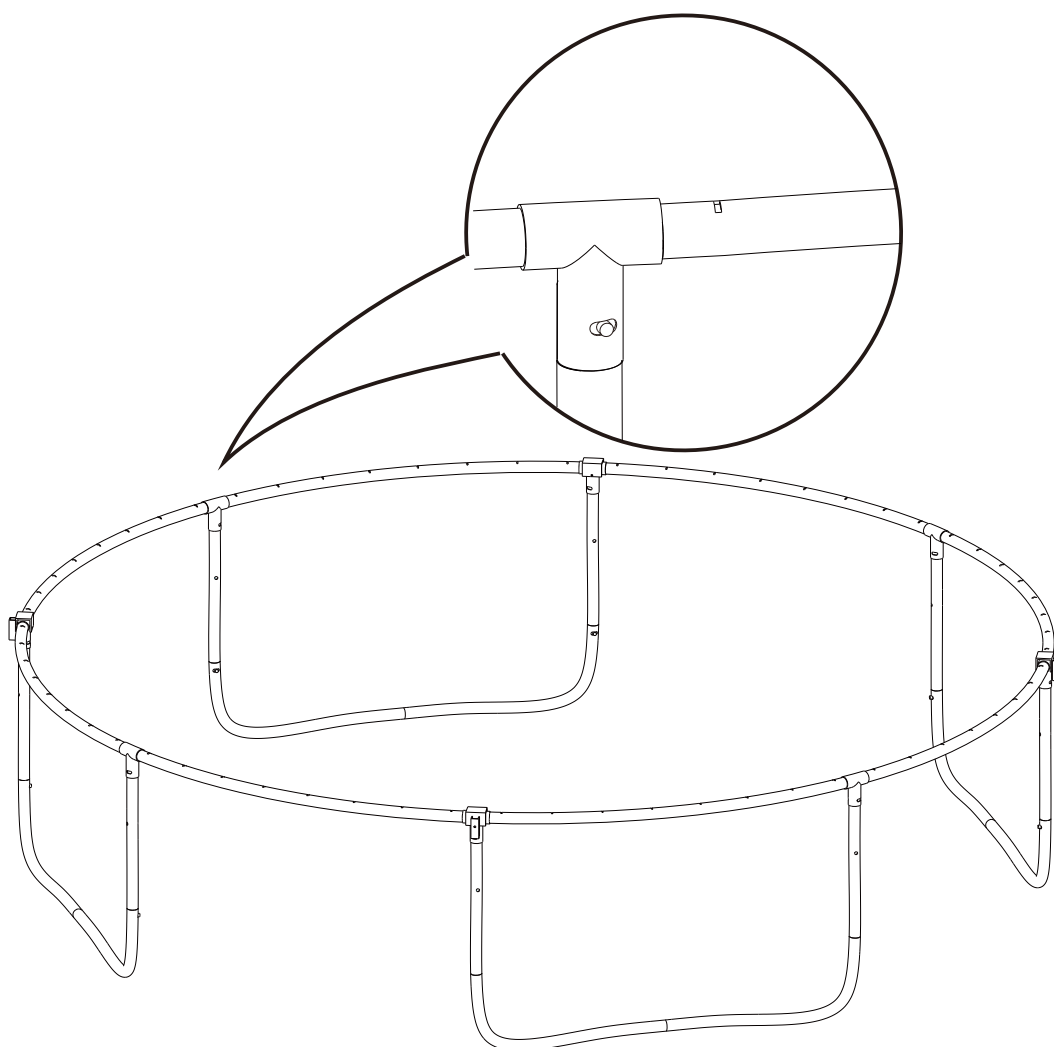
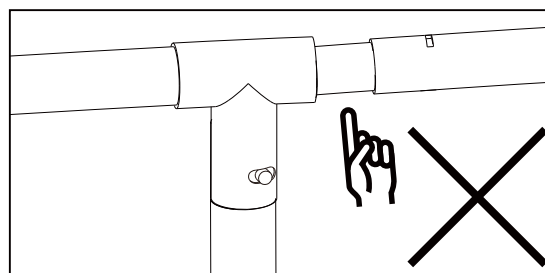
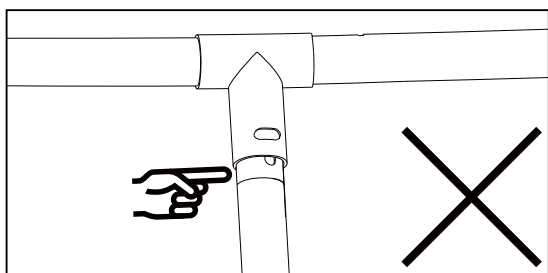
**4**

- As shown in the picture, insert the four top frames© into the middle of the two top frames(D) in turn until a complete circle is formed.
- Stecken Sie nun die 4 Rahmenteile (C) nacheinander in die T-Verbindungsstücke der Rahmenteile (D), so dass ein ganzer Kreis entsteht.
- Comme indiqué sur le dessin, insérez les 4 éléments du cadre (C) successivement dans les éléments du cadre juxtaposés (D), jusqu'à l'obtention d'un cercle complet.
- Come mostrato nella figura, inserire le quattro parti della struttura superiore (C) nei pali di raccordo (D) fino a formare un cerchio completo.
- Como se muestra en la imagen, inserte los cuatro marcos superiores (C) dentro de del centro de los dos marcos superiores (D) hasta que se forme un círculo.

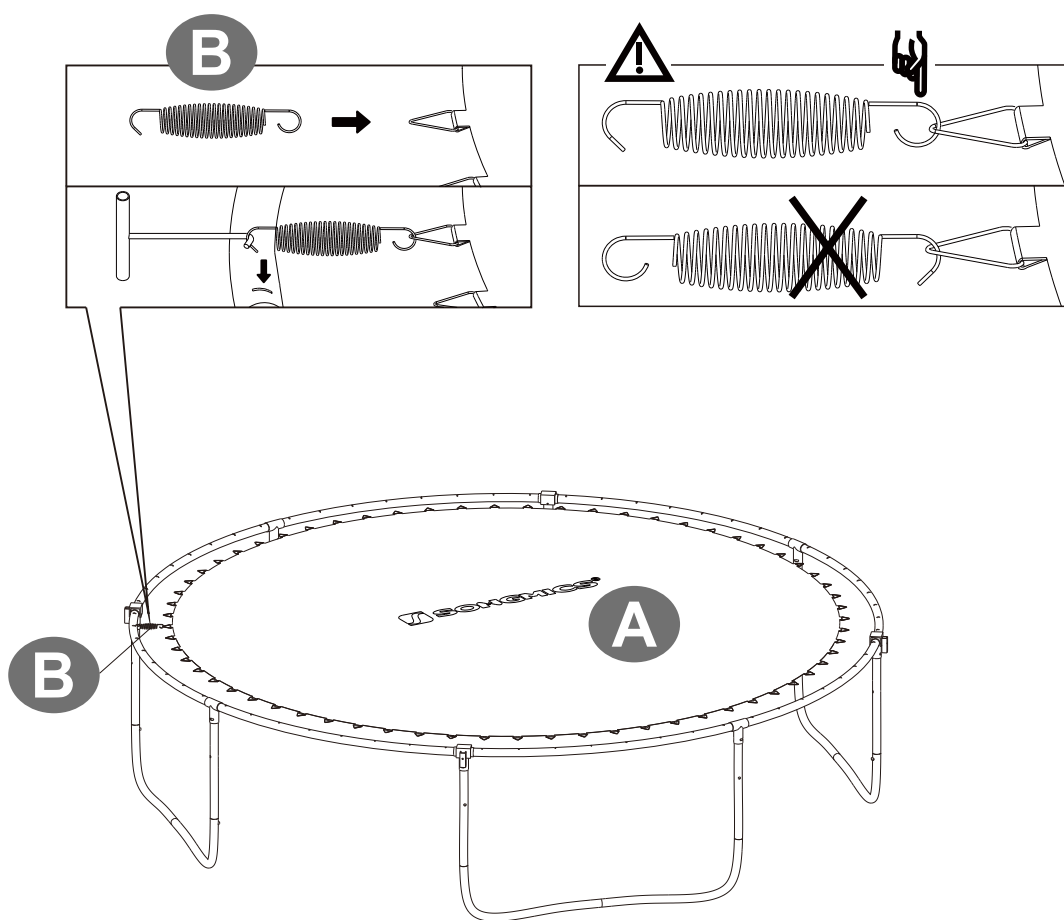


**5**

- Check each joint of both the top frames and the U-shaped legs to ensure that each part is firmly fixed.
- Überprüfen Sie alle Verbindungsstellen der Rahmenteile und stellen Sie sicher, dass alle Teile fest montiert wurden.
- Vérifiez les points de jonction avec les pieds d'appui et assurez-vous que tous les éléments sont assemblés de manière stable.
- Controllare ogni giuntura della struttura superiore e delle gambe a U per assicurarsi che tutte le parti siano fissate rigidamente.
- Revise cada unión en la parte superior del marco y de las patas en forma de U para asegurar que cada parte esté fija de forma correcta.

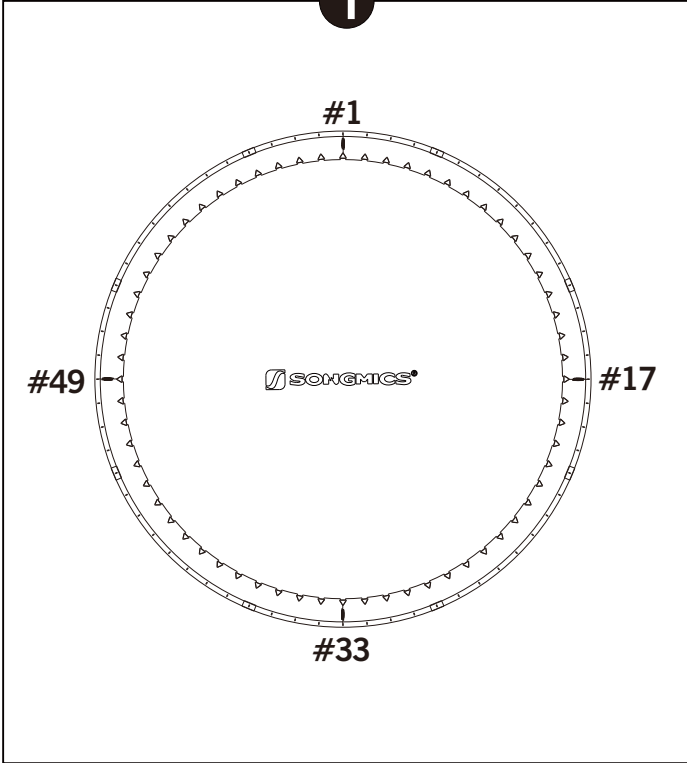


6

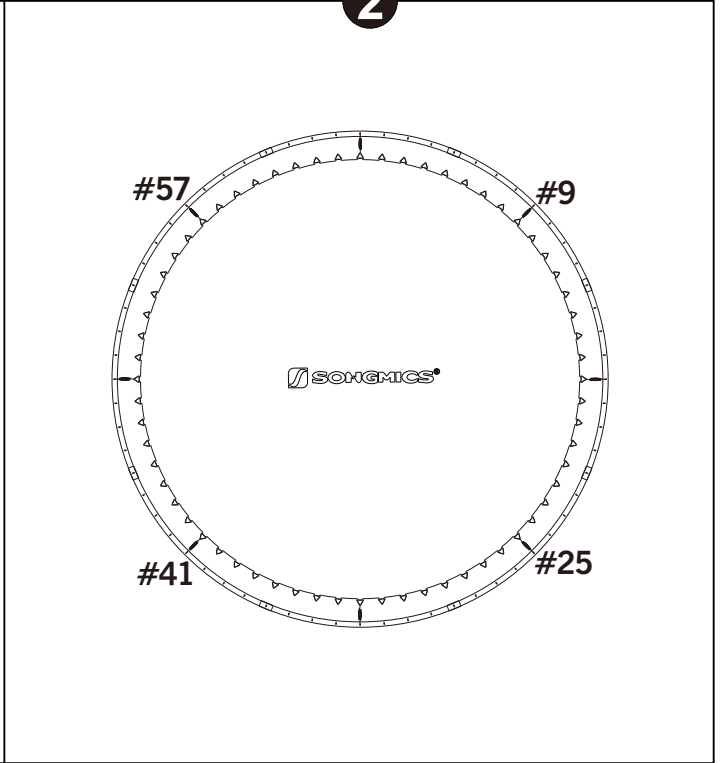


- **For assembly of the jumping mat(A) and springs(B), please strictly refer to the following methods:**
- A. First, select a spring hole on the top frame as a starting point and mark it, and then, as shown in the picture, find the 17th, 33th and 49th spring holes by counting.
- B. In the same way as detailed above, find the triangular ring in corresponding number on the jumping mat(A), and mark it.
- C. Hang one end of the spring onto the triangular ring of the jumping mat(A) and the other end onto the top frame with a spring hook(T).
- Note: The 2 ends of the springs(B) are not the same that the degree of bending of hanging at one end of the triangular ring is larger than hanging at the other end, as shown in the picture.
- D. Follow the illustrations to assemble the symmetrical two springs(B) in turn until all the springs(B) are placed on frames securely.
  
- **Montieren Sie die Sprungmatte (A) und die Federn (B) streng nach folgender Anleitung:**
- A. Merken Sie sich zuerst einen Punkt am Rahmenteil. Dieser Punkt wird mit 1 und somit als Startpunkt gekennzeichnet. Zählen Sie, wie in der Abbildung dargestellt, die Löcher des Rahmens ausgehend vom Startpunkt 1 ab und markieren Sie die Positionen 17, 33 und 49.
- B. Finden Sie auf die gleiche Weise die entsprechenden dreieckigen Ösen (Positionen 17, 33, 49) an der Sprungmatte (A) und hängen Sie dort Federn zur Markierung ein.
- C. Hängen die Federn mit dem stärker gekrümmten Federende in die Ösen der Sprungmatte (A) und ziehen Sie das andere Federende mit dem Federhaken (T) in die entsprechend markierten Löcher am Rahmen.
- Hinweis: Wie Sie auf den Abbildungen sehen, haben die Federn (B) zwei verschiedene Seiten. Das stärker gekrümmte Ende wird in die dreieckigen Ösen gehakt. Das andere Ende ist für die Löcher am Rahmen bestimmt.
- D. Setzen Sie abwechselnd sich gegenüberliegende Federn (B) ein, bis alle Federn sich an Ort und Stelle befinden. Die korrekte Reihenfolge lautet: 1-33-17-49-9-41-25-57 usw.
  
- **Montez la toile de saut (A) et les ressorts (B) en respectant scrupuleusement les instructions suivantes:**
- A. En premier lieu, repérez un point sur le cadre, ce point sera désigné comme point 1 et servira de point de départ. Comme indiqué sur le dessin, comptez les trous en partant du point 1 de départ et marquez les positions 17, 33, 49.
- B. Trouvez de la même manière les œillets triangulaires correspondants (les positions 17, 33, 49) sur le tapis de saut (A) et marquez ces œillets.
- C. Accrochez une extrémité du ressort dans les œillets triangulaires du tapis de saut (A) et l'autre extrémité dans l'élément d'armature en vous aidant de l'outil de tension.
- Note: Comme indiqué sur le dessin, les extrémités du ressort (B) ne sont pas identiques: l'une des deux extrémités est un peu plus refermée que l'autre. L'extrémité plus ouverte est destinée aux trous dans les éléments de l'armature, l'autre extrémité, plus fermée, est destinée aux œillets triangulaires.
- D. Comme indiqué sur le dessin, installez les ressorts (B) successivement par paires opposées, jusqu'à ce que tous les ressorts (B) soient en place.
  
- **Per assemblare il tappeto elastico(A) e le molle(B), fare riferimento solo ai seguenti metodi:**
- A. Prima di tutto, scegliere un foro nella struttura superiore come punto di partenza e apporre un segno in corrispondenza, poi, come mostrato nella figura, trovare il 17o, il 33o e il 49o foro.
- B. Con la stessa modalità descritta qui sopra, trovare l'anello triangolare del numero corrispondente sul tappeto elastico (A), e segnarlo.
- C. Agganciare un'estremità della molla con l'anello triangolare del tappeto elastico (A) e l'altra estremità alla struttura superiore con un gancio (T).
- Nota: Le 2 estremità delle molle (B) non sono uguali, la piega dell'estremità destinata all'anello triangolare del tappeto elastico è più marcata, come mostrato nella figura.
- D. Seguire le illustrazioni e assemblare le molle (B) in modo simmetrico, fino a che tutte le molle (B) sono posizionate correttamente nella struttura.
  
- **Para el ensamblaje de el tapete para saltar (A) y de los resortes (B), por favor siga estos métodos siguientes:**
- A. Primero, seleccione un orificio de resorte en el marco superior como el punto de referencia inicial y márquelo, luego, como se muestra en la imagen, encuentre el orificio número 17, 33 y 49 contando cada orificio.
- B. De la misma forma como se describe arriba, encuentre el anillo triangular en el número correspondiente del tapete para saltar (A), y márquelo.
- C. Cuelgue una parte del resorte dentro del anillo triangular del tapete para saltar (A) y el otro extremo dentro del marco superior con un gancho del resorte (T).
- Nota: los dos extremos del resorte (B) no son los mismos que el grado de doblado de colgado de un extremo del anillo triangular es mayor que el colgado en el otro extremo, como se muestra en la imagen.
- D. Siga las imágenes para armar los dos resortes simétricos (B) hasta que todos los resortes (B) estén sujetos al marco de forma segura.

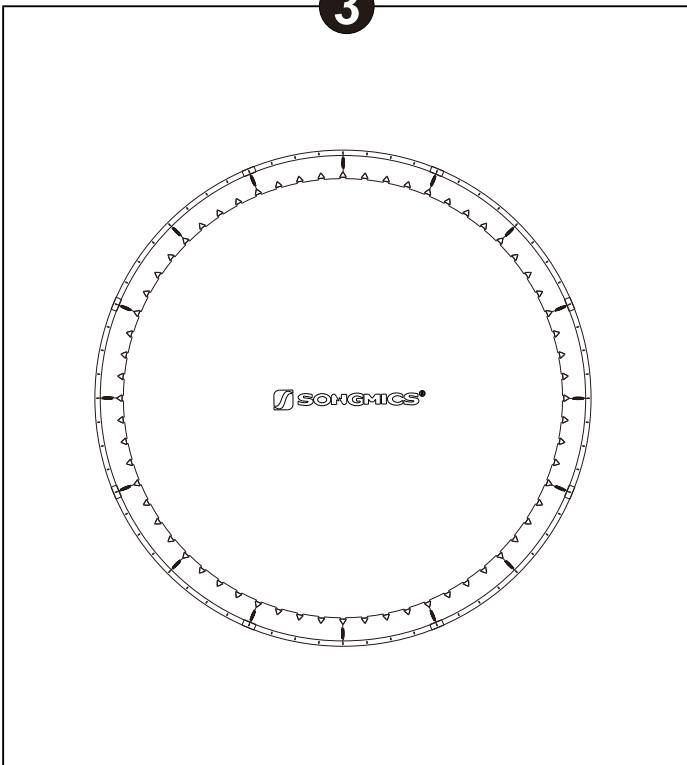
**1**



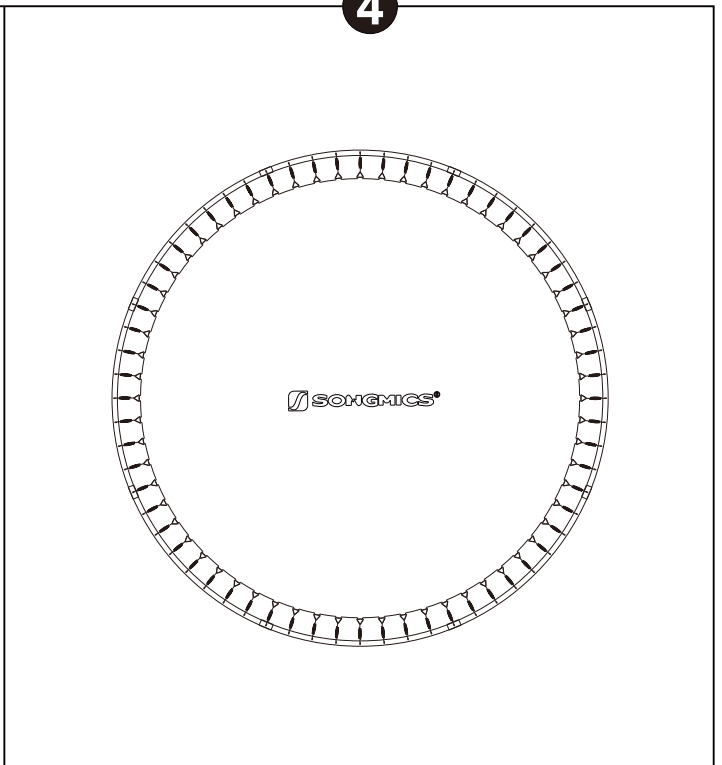
**2**



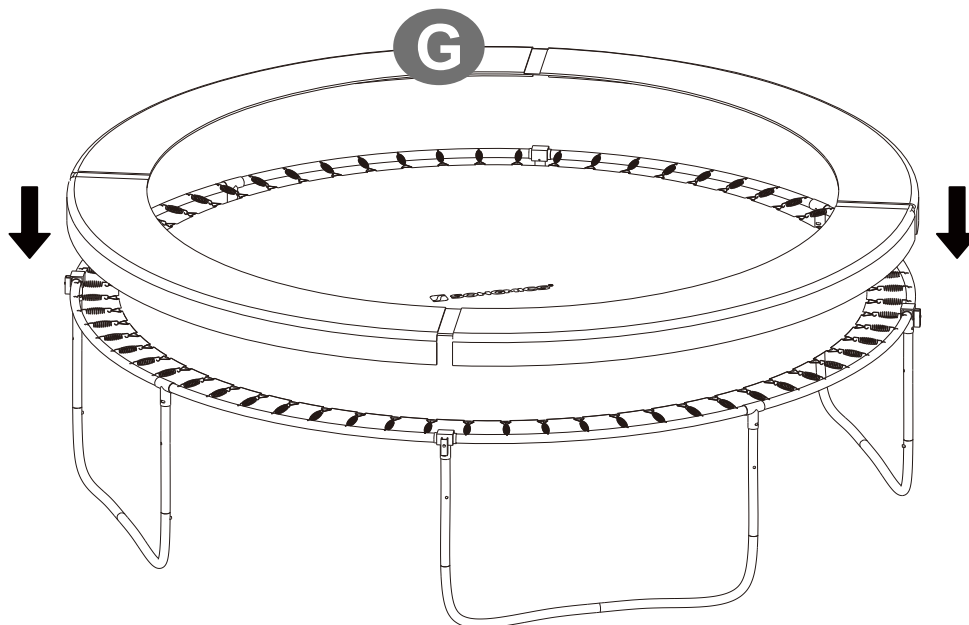
**3**



**4**

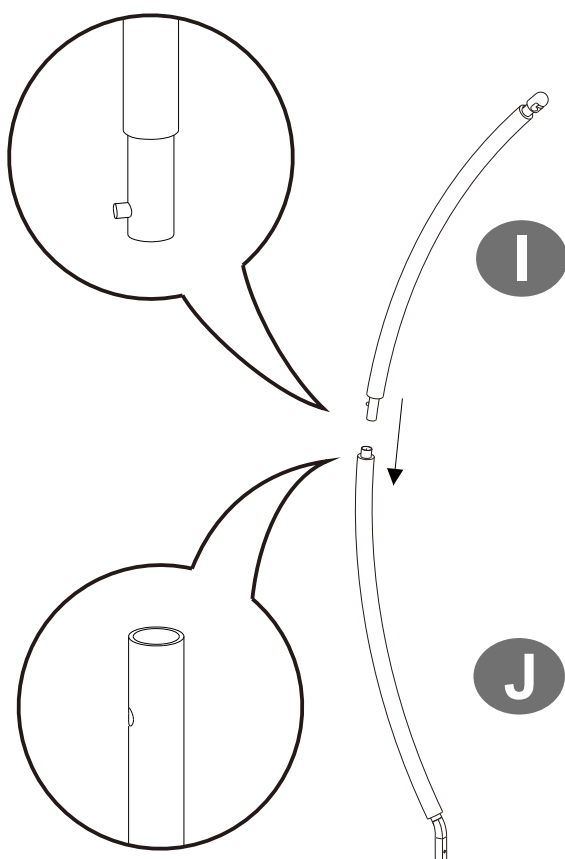


7



- Do not attach the rubber band on the bottom of the spring guard mat to the circle frame until step 15.
- Binden Sie die Gummibänder an der Unterseite der Schutzabdeckung erst im 15. Schritt um den Rahmen des Trampolins.
- Veuillez ne pas attacher la sangle élastique sur le dessous du tapis de protection à ressort au cadre circulaire avant l'étape 15.
- Non fissare l'elastico sul fondo del tappeto protettivo al telaio del cerchio fino al punto 15.
- No fije la goma elástica en la parte inferior de la alfombra protectora de resortes al marco del círculo hasta el paso 15.

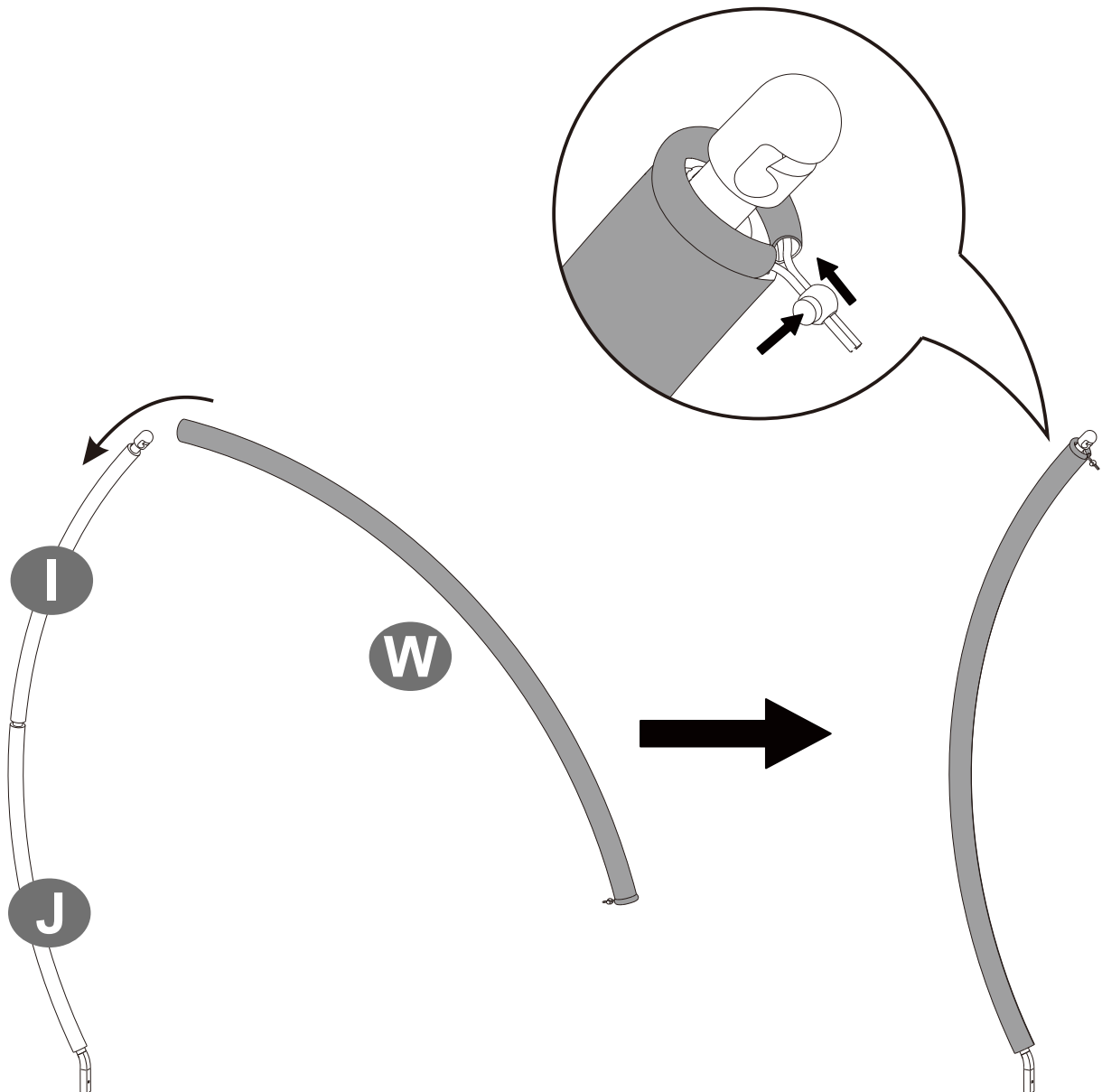
8



- Attach the enclosure pole(I) and (J) together to ensure that all the pins are ejected.
- Stecken Sie die oberen Netzstangen (I) auf die unteren Netzstangen (J) und achten Sie hierbei auf die korrekte Ausrichtung. Stellen Sie sicher, dass alle Arretierungsfedern in den Arretierungsöffnungen eingerastet sind.
- Enfoncez les montants de filet hauts (I) dans les montants bas (J) et faites attention au sens. Assurez-vous que tous les boutons d'arrêt à ressort sont bien encliqués dans les ouvertures d'arrêt.
- Collega i pali di recinzione(I) e (J) e assicurati che tutti i perni siano bloccati nelle fessure.
- Junte la poste de cerrado (I) y (J) juntas para asegurar que los pernos hayan sido removidos.

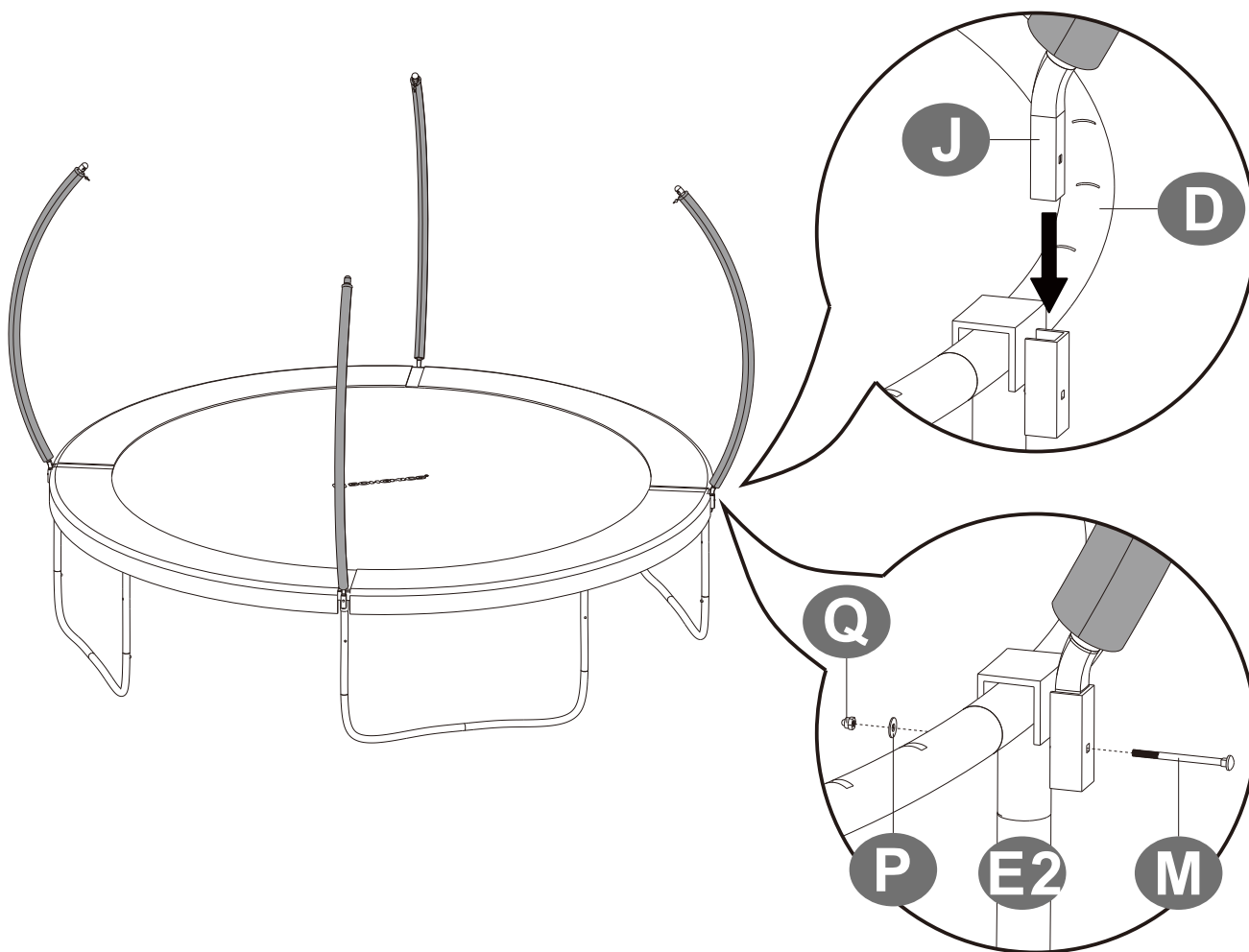
9

- Insert the enclosure poles (I + J) into the protective sleeve (W) and tighten with the draw cord.
- Stecken Sie alle Netzstangen (I + J) in die entsprechenden Schutzhüllen (W) und ziehen Sie die Schnur im oberen Bereich fest, um die Öffnungen der Hüllen zu schließen.
- Mettez en place les mousses de protection (W) sur les poteaux (I + J), puis fixez-les avec des ficelles.
- Inserire i pali (I + J) nella guaina di protezione (W) e serrarli con le corde.
- Inserte los postes de la caja (I + J) en la funda de protección (W) y apriételes con el hilo elástico de los conectores de plástico.



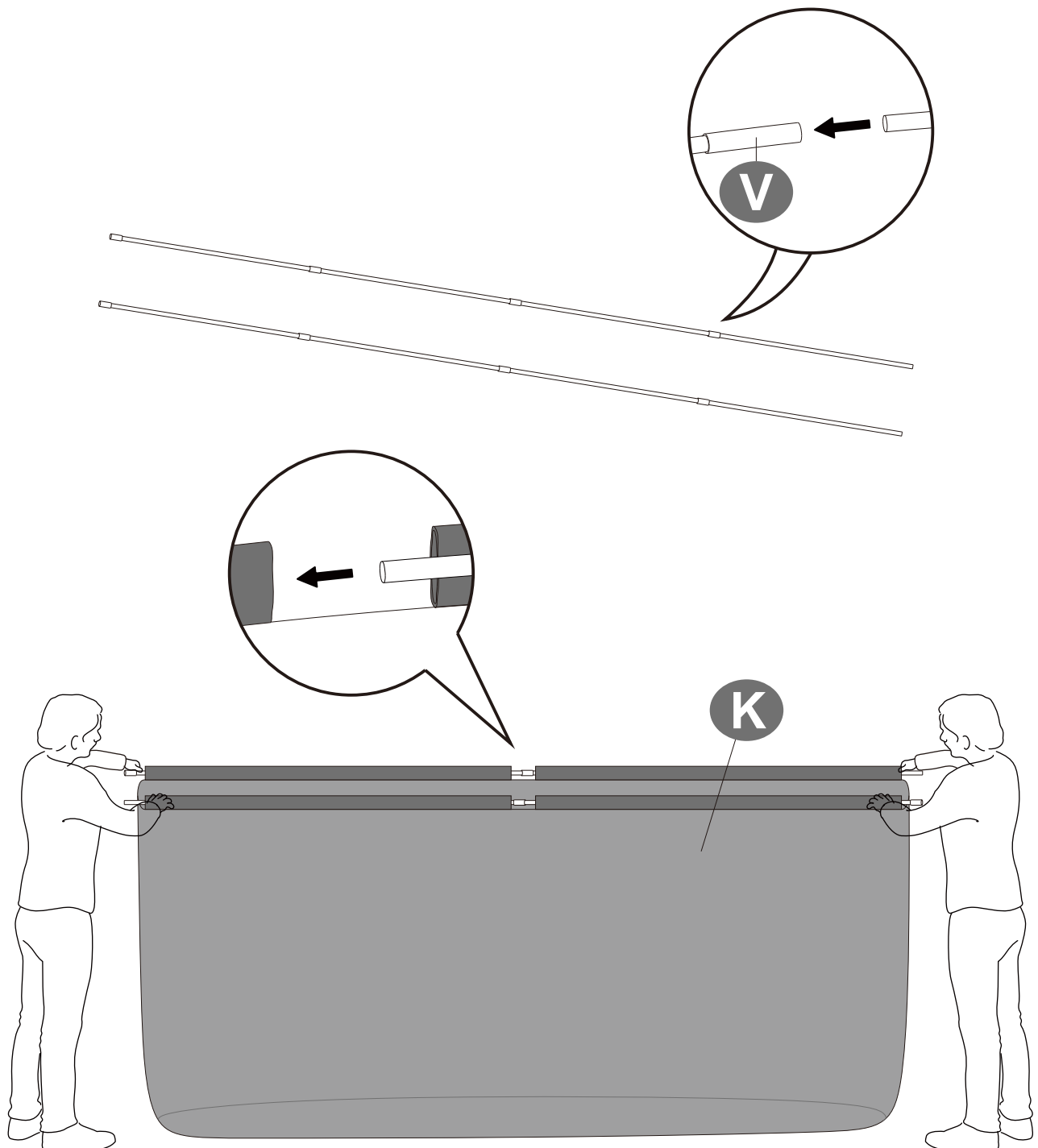
10

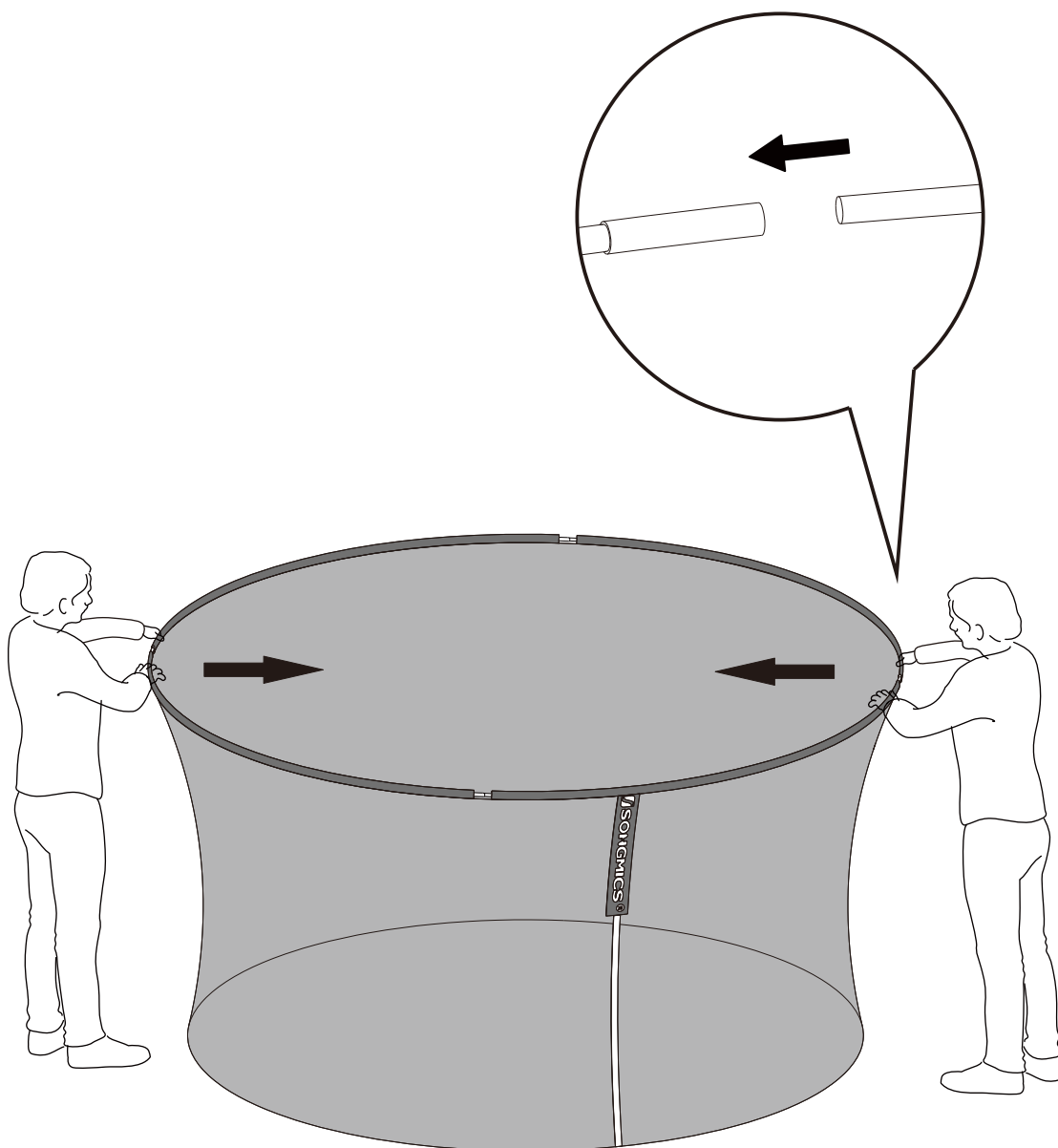
- Insert the lower part of the enclosure poles (J) into the black part on the top frame (D). Assemble the long screw (M), plastic pad (P) and screw cap (Q) together onto the leg (E2) and the pole.
- Stecken Sie die unteren Netzstangen (J) in die schwarzen Halterungen am Rahmen (D) des Trampolins und verbinden Sie diese Stangen jeweils mithilfe einer langen Schraube (M), einer Unterlegscheibe (P) und einer Schraubenmutter (Q) mit den Standbeinen (E2).
- Insérez les poteaux (J) dans la partie noire du cadre (D), fixez les poteaux sur les pieds (E2) avec une longue vis (M), une rondelle (P) et un bouchon fileté (Q).
- Inserire la parte inferiore dei pali della rete (J) nella parte nera del telaio superiore (D). Montare la vite lunga (M), il cuscinetto di plastica (P) e il dado (Q) sulla gamba (E2) e sul palo.
- Inserte la parte inferior de los postes de la caja (J) en la parte negra del marco superior (D). Ensamble el tornillo largo (M), la almohadilla de plástico (P) y el tapón de rosca (Q) juntos en la pata (E2) y el poste.



11

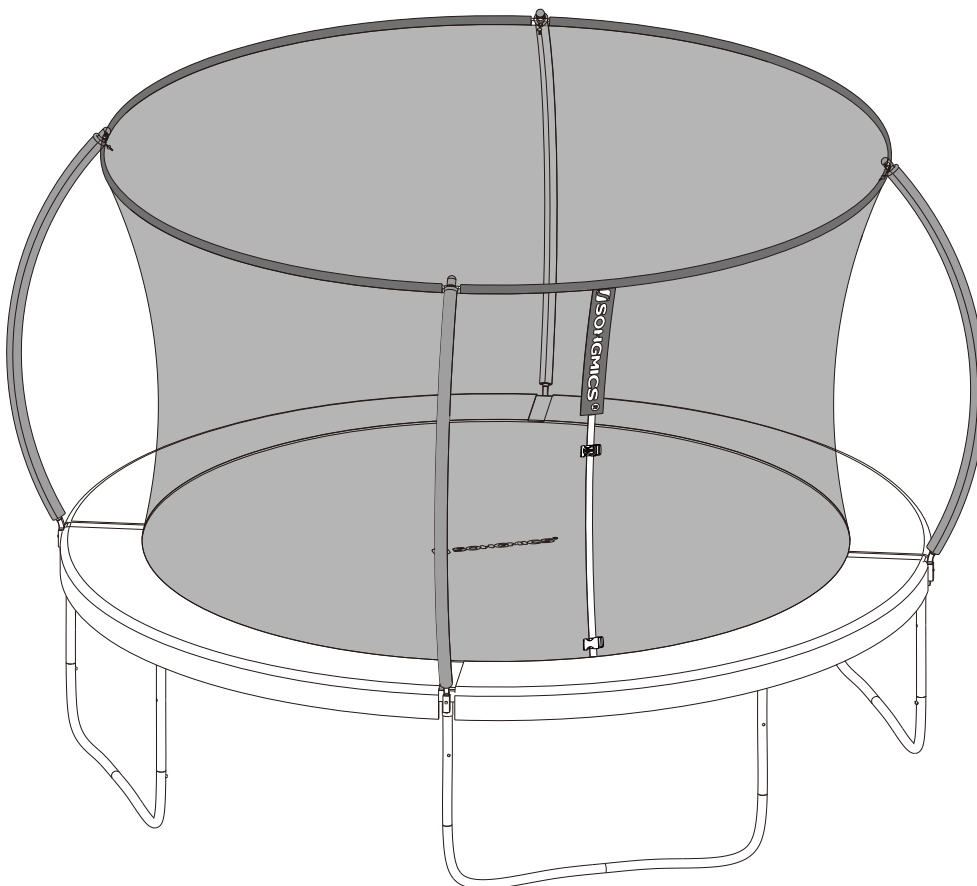
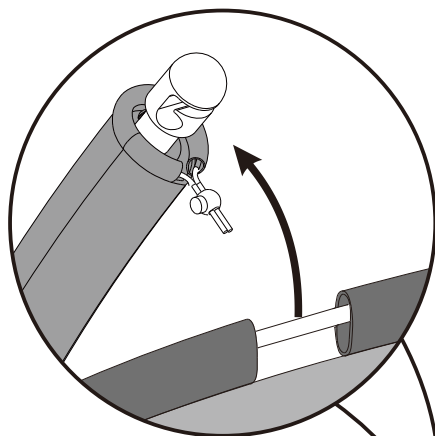
- Insert the fiberglass rod (V) into the top edge of the safety net (K), then connect each rod one by one until you have a full circle.
- Stecken Sie die Glasfaserrohre (V) in den oberen Rand des Sicherheitsnetzes (K) und verbinden Sie diese Rohre miteinander, bis sie einen vollständigen Kreis bilden.
- Insérez les tiges en fibre de verre (V) dans la partie supérieure du filet de sécurité (K), puis connectez les tiges une par une jusqu'à obtenir un cercle complet.
- Inserire l'asta in fibra di vetro (V) nel bordo superiore della rete di sicurezza (K), quindi collegare ogni asta una ad una fino ad ottenere un cerchio completo.
- Inserte la varilla de fibra de vidrio (V) en el borde superior de la red de seguridad (K), luego conecte cada varilla una por una hasta que tenga un círculo completo.



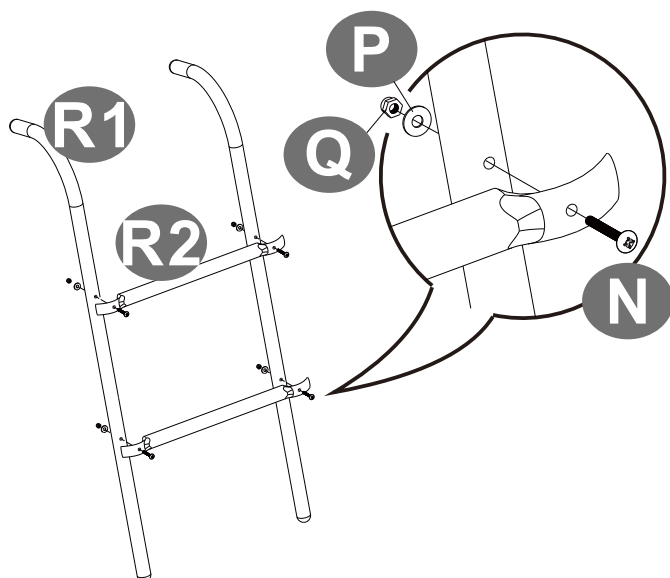


12

- Hang the fiberglass rod (V) on the upper part of the enclosure rod (I) to unroll the safety net.
- Haken Sie die Glasfaserrohre (V) an den entsprechenden Kunststoffverbindungen der oberen Netzstangen (I) ein, um den Glasfaserrohr-Kreis zu befestigen und das Sicherheitsnetz zu spannen.
- Mettez les tiges en fibre de verre (V) sur les poteaux (I), puis mettez en place le filet de sécurité.
- Agganciare l'asta in fibra di vetro (V) sulla parte superiore dei pali (I) per srotolare la rete di sicurezza.
- Cuelgue la varilla de fibra de vidrio (V) por encima de la varilla de la caja (I) para desenrollar la red de seguridad.



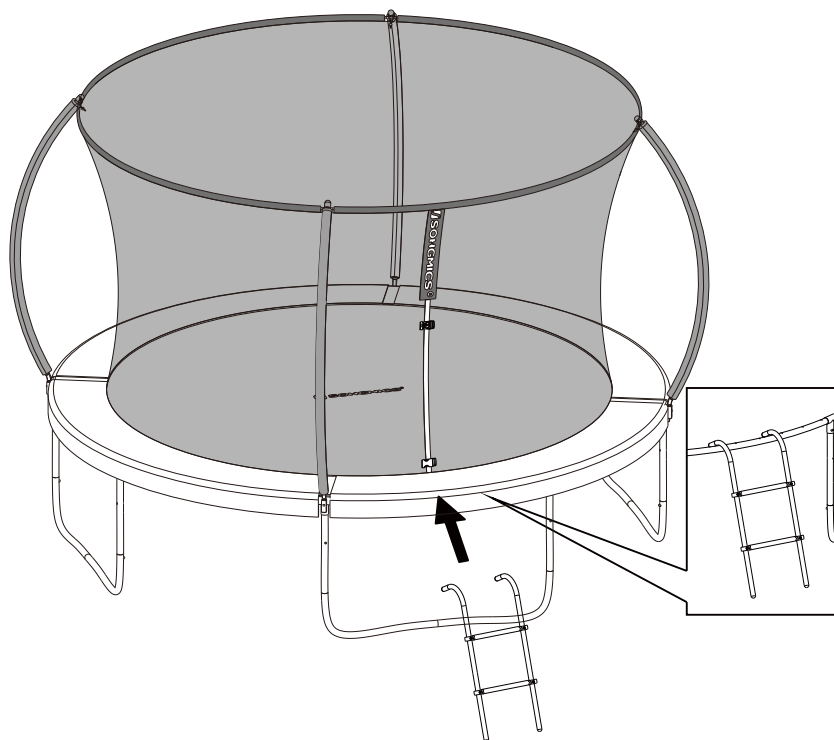
13



- Montez l'échelle (R), comme indiqué sur le dessin, à l'aide des vis (N), des entretoises (P) et des écrous (Q).
- Montieren Sie nun die Leiter (R) mithilfe der Schrauben (N), Abstandshalter (P) und Schraubenmüttern (Q).
- Wie in der Abbildung dargestellt, montieren Sie die Leiter (R) mit den Schrauben (N), Abstandshaltern (P) und Schraubenmüttern (Q).
- Assemblare la scala (R) con la vite (N), la guarnizione (P) e il tappo a vite (Q) come mostrato nella figura.
- Arme la escalera (R) con el tornillo (N), arandela universal (P) y cubierta del tornillo (Q) como se muestra en la imagen.

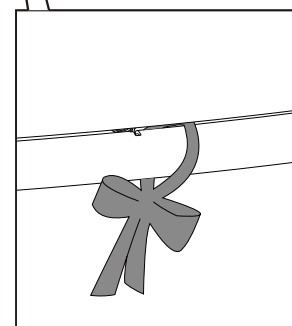
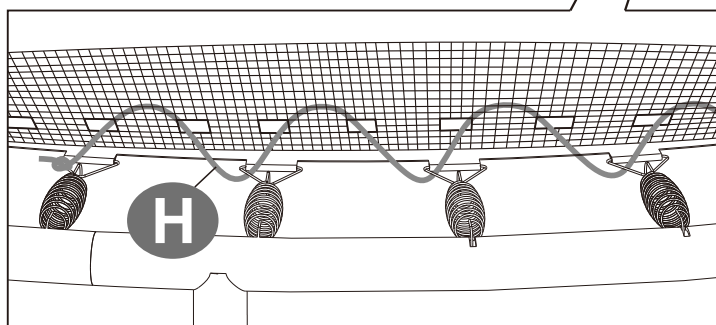
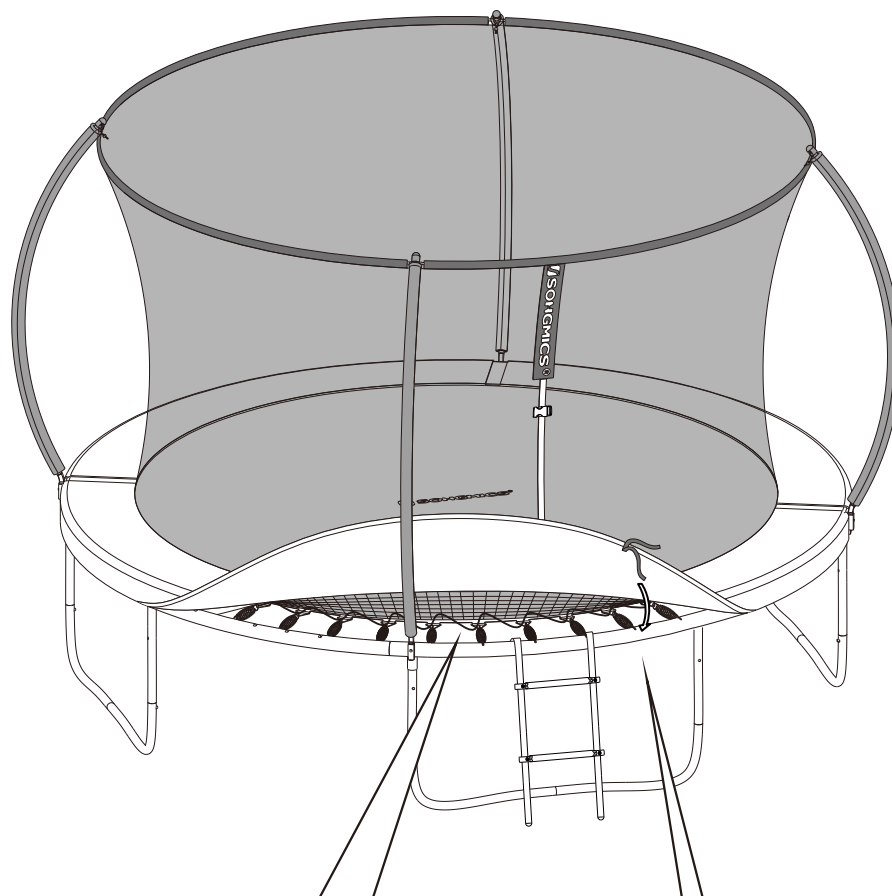
14

- Place the ladder on the frame at the entrance of the trampoline.
- Stellen Sie die Leiter an den Rahmen am Eingang des Trampolins.
- Posez l'échelle sur le cadre, à l'entrée du trampoline.
- Appendere la scala all'entrata del trampolino.
- Cuelgue la escalera a la entrada del trampolín.

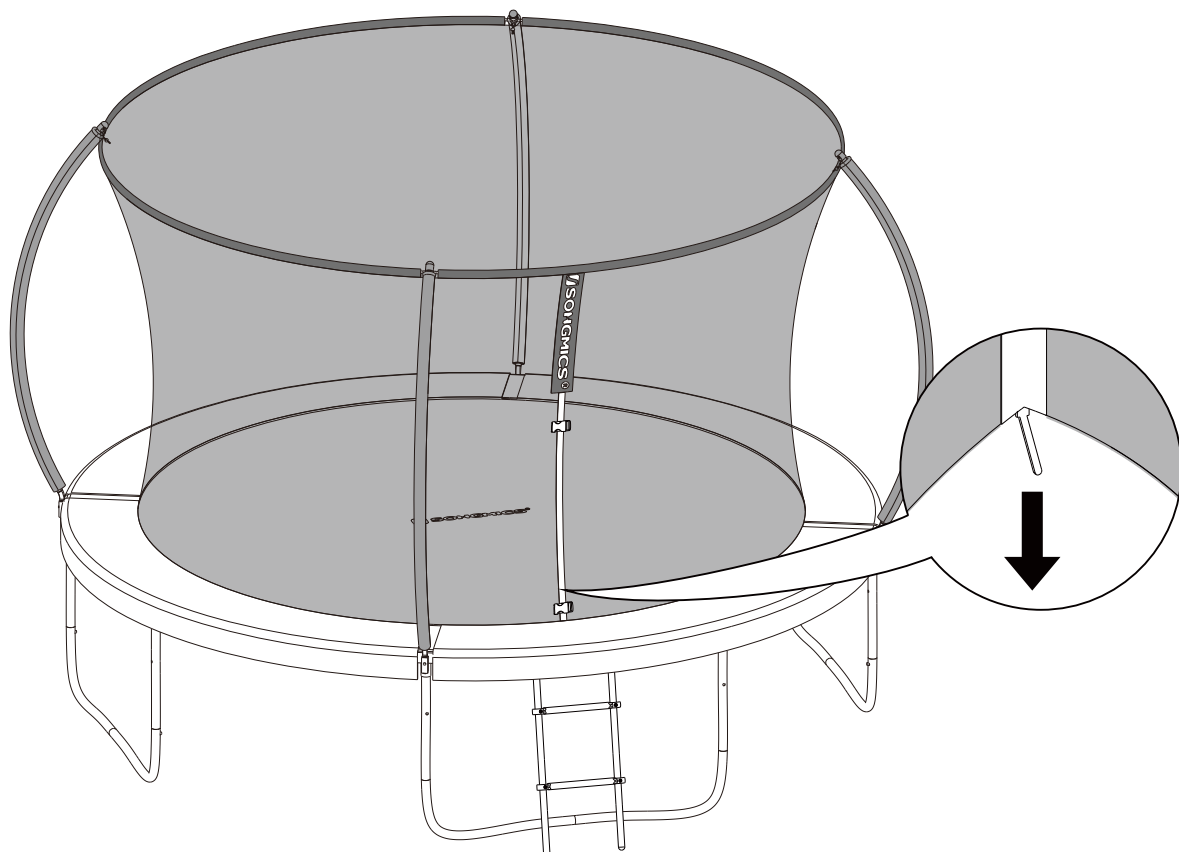


**15**

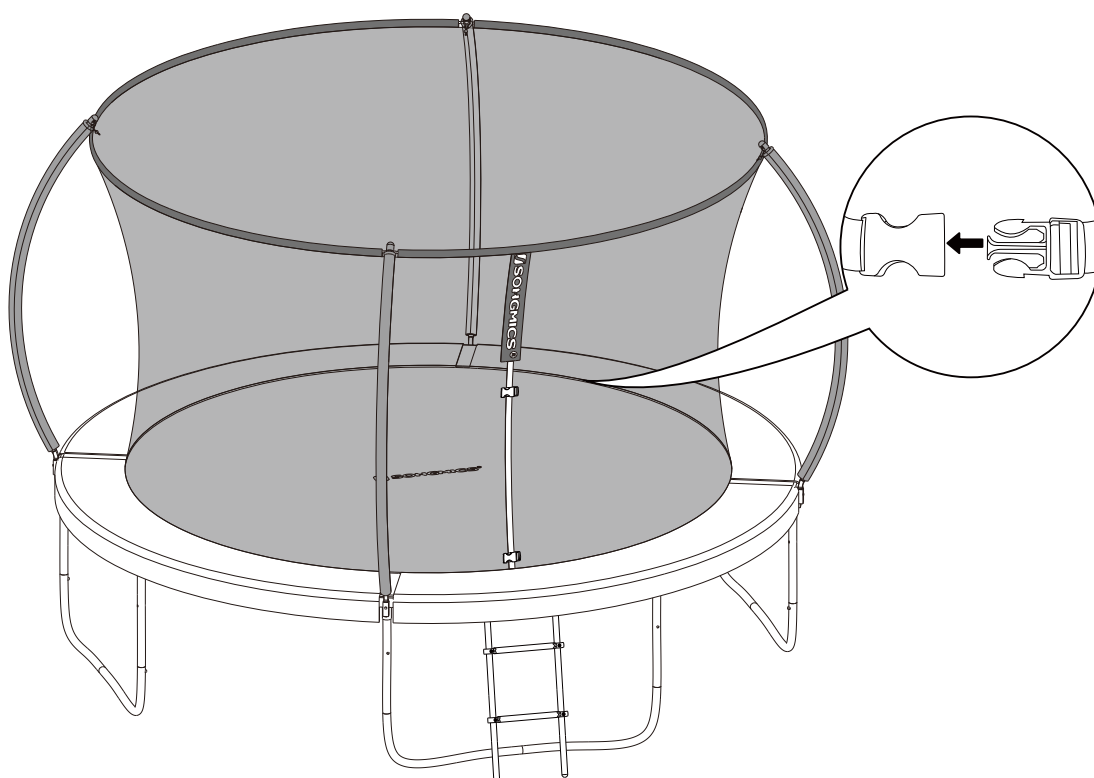
- Loop the included rope (H) into the triangular ring on the jumping mat (A) and the safety net (K). Tighten the rope so that there is no gap between them and tied to a triangular ring.
- Befestigen Sie die Unterseite des Sicherheitsnetzes (K) mithilfe der 7 Schnüre (H) an den dreieckigen Ösen der Sprungmatte (A). Verwenden Sie die Schnüre Stück für Stück. Fädeln Sie die Schnüre abwechselnd durch ein Loch an der Unterkante des Netzes und durch eine Metallöse. Wenn eine Schnur zu Ende geht, knoten Sie sie fest gespannt an der letzten verbundenen Öse fest.
- Reliez le filet de sécurité (K) avec le tapis de saut (A) avec la corde fournie (H). Serrez le câble de façon à ce qu'il n'y ait pas de fente entre eux.
- Passare la corda (H) negli anelli triangolari sul tappetino di salto (A) e nei fori della rete di sicurezza (K). Serrare la corda in modo che non ci sia spazio tra loro e legala ad un anello triangolare.
- Enrolle la cuerda incluida (H) en el anillo triangular de la lona (A) y en la red de seguridad (K). Apriete la cuerda para que no quede ningún hueco entre ellas.



16



17



- Note: You should go around the whole enclosure net again to make sure all the hooks and screws are securely tightened onto the trampoline, which ensures the safety enclosure net is well fixed, otherwise the safety enclosure net can not take on a role of protection.
- Hinweise: Überprüfen Sie nun nochmals, ob jede Feder stabil eingehängt und jede Schraube festgezogen wurde. Dies ist wichtig für die Stabilität des Sicherheitsnetzes, welches ansonsten keinen ausreichenden Schutz bietet.
- Note: Vérifiez une nouvelle fois que chaque crochet est bien accroché et chaque vis bien serrée. Ceci est important pour la stabilité du filet de protection, sans laquelle il ne peut pas protéger le sauteur.
- Nota: Consigliamo di fare un giro intorno alla rete di sicurezza per verificare che tutti i ganci e le viti siano ben strette al trampolino, per controllare che la rete sia fissata e stabile, altrimenti non può svolgere il suo ruolo protettivo.
- Nota: Usted deberá revisar toda la red para asegurarse de que todos los ganchos y tornillos hayan sido ajustados de forma segura al trampolín, esto asegura que la red ha sido puesta correctamente, sino, la red no será útil para brindar protección.

**(EN) Important Advice for Usage**

- For first time use of the trampoline, users must concentrate on learning fundamental body positions.
- In the learning phase, users must practice and perfect these basic techniques. The deceleration or examining of the jump must be informed firstly and emphasized as a security measure. Users must slow their jump as soon as they begin to lose the balance or lose control of their jump. Bending knees upon landing so as to absorb the energy resulted from the jumping mat bouncing upward. Thus users can stop the jump immediately and avoid loss of control.
- A good, controlled jump on the trampoline will always fall at its starting point. Practice is up to the standard only if the jumper can repeat this practice on a regular basis. Before the jumper can perform all the exercises he has learned before, it cannot attempt the next stage in more difficult practice.
- Daring jumps are not recommended. All skills can be learned in moderate height. What should be emphasized is the jump instead of the control of height. User may not jump alone and unsupervised on the trampoline.
- Do not try complex jumps, or other actions you can not control.
- Failure to follow these instructions will increase your risk of injury.

**(DE) Hinweise zur Übung**

- Beim erstmaligen Gebrauch des Trampolins muss sich auf das Erlernen grundlegender Körperstellungen konzentriert werden.
- In dieser Lernphase müssen die Springer Grundtechniken üben und perfektionieren. Das Abbremsen oder Überprüfen des Sprungs muss als erstes unterrichtet und als Sicherheitsmaßnahme hervorgehoben werden. Springer müssen ihren Sprung stoppen, sobald sie anfangen, das Gleichgewicht oder die Kontrolle zu verlieren. Das geschieht, indem die Knie stark gebeugt werden, sobald der Springer landet. Hierdurch wird die Federkraft des Trampolins absorbiert. Dadurch kann der Springer den Sprung sofort anhalten und vermeidet so einen Kontrollverlust.
- Ein guter, kontrollierter (beherrschter) Sprung auf dem Trampolin wird immer auf seinem Absprungsort beendet. Eine Übung ist nur dann erlernt, wenn der Springer sie regelmäßig wiederholen kann. Der Springer darf niemals zu einer schwierigeren Übung übergehen, bevor er nicht alle vorher gelernten Übungen routiniert durchführen kann.
- Übermütiges Springen ist nicht erlaubt. Alle Fertigkeiten sind bei mittleren Höhen zu erlernen. Die Beherrschung des Sprungs und nicht die Höhe sind hervorzuheben. Springer dürfen nicht alleine und unbeaufsichtigt auf dem Trampolin springen.
- Versuchen Sie keine komplizierten Sprünge oder andere Manöver, die Sie nicht beherrschen.
- Wenn Sie diese Richtlinien nicht befolgen, erhöhen Sie Ihr Verletzungsrisiko.

**(FR) Notes concernant l'entraînement**

- Il est indispensable de se concentrer sur l'apprentissage des positions corporelles de base lors de la première utilisation du trampoline.
- Durant cette phase d'apprentissage, les sauteurs doivent s'exercer à ces techniques fondamentales et les perfectionner. L'arrêt ou la vérification du saut doivent être enseignés en priorité et être mis en avant en tant que mesure de sécurité. Les sauteurs doivent arrêter leur saut dès qu'ils commencent à perdre l'équilibre ou le contrôle du saut. Ceci s'effectue en pliant fortement les genoux dès que le sauteur atterrit, ce qui pour effet d'absorber l'effet de ressort du tapis de saut. Ainsi le sauteur peut immédiatement arrêter le saut et éviter par là une perte de contrôle.
- Un bon saut maîtrisé sur le trampoline atterrit toujours sur son point de départ. Un exercice n'est maîtrisé que lorsque le sauteur est capable de le répéter régulièrement. Le sauteur ne doit jamais passer à un exercice plus difficile avant d'être capable d'exécuter régulièrement tous les exercices appris précédemment.
- Les sauts risqués ne sont pas autorisés. Toutes les aptitudes doivent être acquises à une hauteur moyenne. C'est la maîtrise du saut et non sa hauteur qui importe. Les sauteurs ne doivent pas sauter sans surveillance et isolés sur le trampoline.
- Ne tentez aucun saut compliqué ou autre manœuvre que vous ne maîtrisez pas.
- Si vous ne respectez pas ces directives, vous augmentez le risque de blessure.

### **IT** **CONSIGLI IMPORTANTI PER L'USO**

- Per il primo utilizzo del trampolino, gli utenti devono concentrarsi sull'apprendimento delle posizioni di base.
- Nella fase di apprendimento, gli utenti devono allenarsi e perfezionare queste tecniche basilari. Il rallentamento e l'analisi del salto devono essere consapevoli ed enfatizzati come misura di sicurezza. Gli utenti devono rallentare il proprio salto non appena sentono di cominciare a perdere l'equilibrio o il controllo sul salto. Piegare le ginocchia all'atterraggio è utile per assorbire la forza del tappeto elastico rivolta verso l'alto. Gli utenti possono fermare il salto immediatamente evitando la perdita di controllo.
- Un salto adeguato e controllato sul trampolino terminerà sempre nel suo punto di partenza. La tecnica può essere considerata padroneggiata quando l'utente può ripeterla regolarmente. L'utente non può provare tecniche più complesse prima di aver svolto tutti gli esercizi imparati in precedenza.
- I salti azzardati sono fortemente sconsigliati. Tutte le tecniche possono essere apprese ad altezza moderata. E' importante concentrarsi sul salto invece che sul controllo dell'altezza. L'utente non può saltare sul trampolino da solo e senza supervisione.
- Non provare salti complessi, o qualsiasi altra azione che non puoi controllare.
- La mancata osservanza di queste istruzioni aumenta il rischio di infortunio.

### **ES** **Notas importantes de uso**

- Para el primer uso de trampolín, el usuario se debe concentrar en aprender las posiciones fundamentales del cuerpo.
- En la fase de aprendizaje, el usuario debe practicar y perfeccionar las técnicas básicas. La desaceleración o el examen del salto deben ser informados primero y enfocarse en las medidas de seguridad. Los usuarios deberán saltar lentamente al momento de que pierdan balance o control de sus saltos. Deben doblar las rodillas para absorber la energía que resulte de saltar. Así podrá parar por completo el salto y evitar perder el control.
- Un buen salto controlado en el trampolín siempre caer en el mismo lugar. Practique esto hasta que pueda caer siempre en el mismo lugar. Hasta que el usuario pueda lograr todos los ejercicios aprendidos con anterioridad, no podrá pasar al siguiente nivel de dificultad.
- No se recomienda hacer piruetas. Todo se debe practicar a alturas moderadas. Se debe enfocar en el salto en lugar del control de la altura. El usuario no podrá saltar sin la supervisión de otra persona.
- No intente saltos complejos o cualquier otra acción que podría perder el control.
- Si no cumple con estas instrucciones podría salir herido.



- (EN) • Start in the center of the jumping mat, keep feet as wide as the shoulder, arms at side, eyes on the end of the mat.

• As you jump from trampoline, swing arms sideways and upwards slightly to pull up the body. Upon landing, keep feet at shoulder width.
- (DE) • Beginnen Sie in der Mitte der Sprungmatte, Beine schulterbreit, Arme an der Seite des Körpers mit Blick auf das Sprungmattenende.

• Holen Sie beim Sprung mit den Armen leicht Schwung und kontrollieren Sie den Sprung durch leichte Armbewegungen. Bei der Landung sollten Ihre Füße schulterbreit auseinanderstehen.
- (FR) • Commencez au centre du tapis de saut, jambes écartées à la largeur de vos épaules, les bras le long du corps avec vue sur les bords du tapis de saut.

• Lors du saut, recherchez un léger élan à l'aide de vos bras et contrôlez le saut par de petits mouvements des bras. Gardez les jambes écartées à la largeur de vos épaules lors de l'atterrissage.
- (IT) • Inizia al centro del tappeto elastico, tieni i piedi alla stessa larghezza delle spalle, braccia lungo i fianchi, sguardo sull'estremità del tappeto.

• Quando salti ruota leggermente le braccia lateralmente e verso l'alto per sollevare il corpo. All'atterraggio, mantieni i piedi alla larghezza delle spalle.
- (ES) • Empiece en el centro del tapete de salto, mantenga los pies en la misma posición que sus hombros, los brazos a sus costados, y sus ojos viendo hacia la orilla del tapete.

• Al momento de saltar, mueva sus brazos hacia arriba para jalar su cuerpo. Al momento de aterrizar, mantenga los pies en la misma posición que sus hombros.



- (EN) • First, assume position of hands and knees bounce. Begin to bounce slightly in this position, kick legs straight and land on stomach, taking some weight on bent forearms as shown in illustration. Then re-assume the position of hands and knees bounce from the trampoline.

• Try the front jump after some simple basic standing jump.
- (DE) • Nehmen Sie nach einem leichten Sprung bei der Landung zunächst die in der Übung „Hände & Knie“ gezeigte Position ein. Federn Sie leicht, strecken Sie Ihre Beine und landen Sie dann auf dem Bauch. Federn Sie dabei einen Teil Ihres Gewichts mit Ihren angewinkelten Armen ab (Siehe Abb.). Lassen Sie sich vom Trampolin wieder in die „Hände & Knie“ Position bringen.

• Versuchen Sie diesen Sprung, nachdem Sie den Grundsprung eingehend geübt haben.
- (FR) • Adoptez d'abord la position à quatre pattes. Rebondissez légèrement, étendez vos jambes et atterrissez sur le ventre. Amortissez une partie de votre poids avec les bras pliés (voir dessin). Laissez-vous ramener par le trampoline dans la position à quatre pattes.

• Essayez ce saut après quelques exercices avec le saut de base plus facile.
- (IT) • Per cominciare, posizionarsi su mani e ginocchia. Cominciare a rimbalzare gradualmente in questa posizione, raddrizzare le gambe ed atterrare sullo stomaco, distribuendo il peso anche sugli avambracci come mostrato nell'illustrazione. Quindi ritornare alla posizione di partenza con mani e ginocchia sul tappeto elastico.

• Prova il salto frontale dopo alcuni salti base in piedi.
- (ES) • Primero ponga sus manos y rodillas en el tapete. Empiece a rebotar ligeramente en esta posición, patee sus piernas y caiga sobre su estomago, quitando un poco del peso usando sus brazos como se muestra en la imagen. Luego re asuma la posición de las manos y rodillas.

• Trate el salto frontal después de un salto básico parado.



- (EN)** • First, assume a kneeling position in the center of the jumping mat. Keep back straight and eyes on edges of the mat.

  - Wave your arms and jump to the starting position.
  - After a gentle jump, repeat this position and jump back to the starting position.
- (DE)** • Nehmen Sie nach einem leichten Sprung bei der Landung eine kniende Position in der Mitte der Sprungmatte ein. Halten Sie den Rücken gerade mit Blick auf das Sprungmattenende.

  - Holen Sie mit den Armen Schwung und springen Sie in die stehende Ausgangsposition.
  - Wiederholen Sie diese Position und lassen Sie sich vom Trampolin wieder in die Ausgangsposition bringen.
- (FR)** • Adoptez d'abord la position agenouillée au centre du tapis de saut. Maintenez le dos droit en regardant les bords du tapis de saut.

  - Prenez de l'élan avec vos bras et sautez dans la position de départ.
  - Répétez cette position après un petit saut et laissez-vous ramener par le trampoline dans la position de départ.
- (IT)** • Per cominciare, mettersi in ginocchio al centro del tappeto elastico. Tenere dritta la schiena e lo sguardo fermo sull'estremità del tappeto elastico.

  - Agita le braccia e salta alla posizione di partenza.
  - Dopo un leggero salto, ripeti la posizione e salta di nuovo alla posizione di partenza.
- (ES)** • Primero, póngase de rodillas en el centro del tapete para saltar. Mantenga la espalda recta y los ojos viendo hacia las orillas del tapete.

  - Columpie sus brazos y salte a la posición inicial.
  - Después de saltar suavemente, repita esta posición y regrese de nuevo al punto inicial.



- (EN)** • First, assume position in illustration, keeping head straight up and eyes on edges of the jumping mat.

  - After a gentle jump, repeat this position and jump back to the starting position.
- (DE)** • Nehmen Sie nach einem leichten Sprung bei der Landung die in der Abbildung gezeigte Position ein. Halten Sie dabei Ihren Kopf aufrecht und Ihren Blick auf das Sprungmattenende.

  - Wiederholen Sie diese Übung und lassen Sie sich vom Trampolin wieder in die Ausgangsposition bringen.
- (FR)** • Adoptez d'abord la position représentée sur le dessin. Maintenez votre tête droite en regardant le bord du tapis de saut.

  - Répétez cette position après un petit saut et laissez-vous ramener par le trampoline dans la position de départ.
- (IT)** • Per cominciare, assumi la posizione illustrata, tenendo la testa alzata e lo sguardo sul bordo del tappeto elastico.

  - Dopo un leggero salto, ripeti la posizione e salta nuovamente alla posizione di partenza.
- (ES)** • Primero, póngase en la posición que muestra la imagen, mantenga la cabeza recta y los ojos viendo hacia las orillas del tapete.

  - Después de un salto suave, repita esta posición y salte de nuevo al punto inicial.



- (EN) • Assume sitting position in the center of the jumping mat. Separate legs slightly, support yourself by hands and lean your body slightly forward.

• After a gentle jump, repeat this position and jump back to the starting position.
- (DE) • Nehmen Sie nach einem leichten Sprung eine sitzende Position in der Mitte der Sprungmatte ein. Spreizen Sie die Beine leicht, stützen Sie sich mit den Händen ab und lehnen Sie sich leicht nach vorne.

• Wiederholen Sie diese Position und lassen Sie sich vom Trampolin wieder in die Ausgangsposition zurückbringen.
- (FR) • Adoptez d'abord une position assise au centre du tapis de saut. Écartez légèrement les jambes, appuyez-vous sur vos mains et penchez-vous légèrement vers l'avant.

• Répétez cette position après un petit saut et laissez-vous ramener par le trampoline dans la position de départ.
- (IT) • Sdraiati sulla schiena al centro del tappeto elastico, spingi le gambe e le braccia verso l'alto e alza la testa. Questa è la posizione di atterraggio.

• Fai attenzione quando provi questa posizione e inizia con salti piccoli e ben controllati. Il peso all'atterraggio deve essere sostenuto per la maggior parte dalle spalle.
- (ES) • Asuma la posición de sentado en el centro del tapete. Separe sus piernas ligeramente, soporte su cuerpo con sus manos e inclínese hacia adelante.

• Después de saltar suavemente, repita esta posición y salte de nuevo a la posición inicial.



- (EN) • Lie on your back on the center of the jumping mat, spread your legs and arms towards sky and raise head. This is your landing position.

• Try this position cautiously from a gentle bounce and jump back to the starting position. Weight should be taken more on your shoulders than on your hips when landing.
- (DE) • Strecken Sie Ihre Beine und Arme nach einem leichten Sprung bei der Landung in der Mitte des Trampolins auf dem Rücken liegend in Richtung Himmel und heben Sie Ihren Kopf an.

• Lassen Sie sich vom Trampolin in die Ausgangsposition zurückbringen. Bei dieser Übung sollten Sie eher auf den Schultern als auf den Hüften landen.
- (FR) • Couché sur le dos au centre du trampoline, levez vos jambes et vos bras vers le ciel et soulevez la tête. Ceci est votre position de réception.

• Essayez prudemment d'arriver à cette position après un petit saut et laissez-vous ramener par le trampoline dans la position de départ. Vous devriez atterrir sur les épaules, plutôt que sur les hanches.
- (IT) • Sdraiati sulla schiena al centro del tappeto elastico, spingi le gambe e le braccia verso l'alto e alza la testa. Questa è la posizione di atterraggio.

• Fai attenzione quando provi questa posizione e inizia con salti piccoli e ben controllati. Il peso all'atterraggio deve essere sostenuto per la maggior parte dalle spalle.
- (ES) • Acuéstese sobre su espalda en el centro del tapete, abra sus piernas y brazos hacia el cielo y levante su cabeza. Esta es su posición de aterrizaje.

• Intente esta posición de forma cautelosa pasado de un suave rebote y salte hacia la posición inicial. El peso debería distribuirse más en sus hombros que en su cadera al aterrizar.



- (EN) • Half Pirouette: Done from the basic standing jump. At the highest height of bounce, rotate 180 degrees taking yourself as a center. Do not lose control and land on your feet.
- Full Pirouette: Done from the basic standing jump. At the highest height of bounce, rotate 360 degrees taking yourself as a center. Do not lose control and land on your feet.
- (DE) • HALBE PIROUETTE: Beginnen Sie mit dem Grundsprung. Drehen Sie sich am höchsten Punkt 180° um die eigene Achse. Achten Sie darauf, die Kontrolle nicht zu verlieren und landen Sie auf den Füßen.
- 360° PIROUETTE: Beginnen Sie mit dem Grundsprung. Drehen Sie sich am höchsten Punkt 360° um die eigene Achse. Achten Sie darauf, die Kontrolle nicht zu verlieren und landen Sie auf den Füßen.
- (FR) • Demi-vrille: Identique au saut de base. Au sommet du rebond, tournez sur votre axe à 180°. Ne perdez pas le contrôle et atterrissez sur les pieds.
- Vrille complète: Identique au saut de base. Au sommet du rebond, tournez sur votre axe à 360°. Ne perdez pas le contrôle et atterrissez sur les pieds.
- (IT) • Mezza Piroetta: Realizzata durante il salto base in piedi. Alla massima altezza del rimbalzo, ruota di 180 gradi rimanendo il centro di rotazione. Non perdere il controllo e atterra sempre sui piedi.
- Piroetta Completa: Realizzata durante il salto base in piedi. Alla massima altezza del rimbalzo, ruota di 360 gradi rimanendo il centro di rotazione. Non perdere il controllo e atterra sempre sui piedi.
- (ES) • Media pirueta: Hecho desde una posición básica parado. En el punto más alto del rebote, gire 180 grados usándose como el centro. No pierda control, y caiga sobre sus pies.
- Pirueta completa: Hecho desde el punto básico de salto. En la parte más alto del rebote, gire 360 grados usándose como el centro. No pierda control y caiga sobre sus pies.



- (EN) • Realizzato durante il salto base in piedi. Alla massima altezza del rimbalzo, porta le ginocchia verso il petto e afferra le gambe con le braccia, quindi allarga le gambe.
- (DE) • Beginnen Sie mit dem Grundsprung. Ziehen Sie die Knie am höchsten Punkt kurz zur Brust. Umgreifen Sie diese mit Ihren Armen und strecken Sie die Beine dann wieder.
- (FR) • Identique au saut de base. Au sommet du rebond ramenez rapidement vos genoux vers votre torse, posez vos bras autour de vos genoux, puis allongez à nouveau vos jambes.
- (IT) • Realizzato durante il salto base in piedi. Alla massima altezza del rimbalzo, porta le gambe verso il petto e mantieni le ginocchia dritte.
- (ES) • Hecho desde la posición de salto parado básico. En el punto más alto del rebote, doble sus piernas hasta que sus rodillas toquen su pecho y agarrarlas con sus brazos, luego extiende sus piernas de nuevo.



- Ⓔ • Done from the basic standing jump. At the highest point of the bounce, bring knees to chest and grasp with arms, then spread legs.
- Ⓓ • Beginnen Sie mit dem Grundsprung. Ziehen Sie Ihre Fußspitzen am höchsten Punkt zur Brust, Ihre Beine bleiben jedoch gestreckt.
- Ⓕ • Identique au saut de base. Au sommet du rebond, remontez vos jambes au niveau des hanches en gardant les genoux tendus.
- Ⓘ • Realizzato durante il salto base in piedi. Alla massima altezza del rimbalzo, porta le gambe verso il petto e mantieni le ginocchia dritte.
- Ⓔ • Hecho desde la posición de salto parado básico. En el punto más alto del rebote, lleve sus piernas hasta su pecho, pero mantenga sus rodillas estiradas.



- Ⓔ • Done from the basic standing jump. At the highest point of the bounce, bring legs to chest and keep knees stretched.
- Ⓓ • Beginnen Sie mit dem Grundsprung. Strecken Sie sich am höchsten Punkt leicht ins Hohlkreuz, breiten Sie die Arme aus und schauen Sie kurz himmelwärts.
- Ⓕ • Identique au saut de base. Au sommet du rebond, cambrez-vous légèrement, écartez les bras et regardez rapidement le ciel.
- Ⓘ • Realizzata durante il salto base in piedi. Alla massima altezza del rimbalzo, allarga gli arti a formare una croce concava, aprendo le braccia, guardando verso il cielo.
- Ⓔ • Hecho desde la posición de salto parado básico. En el punto más alto del rebote, extiende sus extremidades formando una cruz cóncava, con los brazos abiertos, viendo hacia el cielo. el punto más alto del rebote, lleve sus piernas hasta su pecho, pero mantenga sus rodillas estiradas.



- Ⓔ • Done like the body bending jump, but separate legs as widely as is comfortable and touch your toes.
- Ⓓ • Dieser Sprung wird ähnlich dem Hechtsprung ausgeführt. Hierbei werden allerdings die Beine weit gespreizt und die Zehen mit den Fingerspitzen berührt.
- Ⓕ • Identique au saut carpié. Mais ici les jambes sont écartées et on touche ses orteils.
- Ⓘ • Simile al salto con flessione del corpo, ma con gambe separate il più possibile e con le mani che toccano i piedi.
- Ⓔ • Hecho como en el salto donde doblas el cuerpo, separe sus piernas lo más que pueda y toca los dedos de sus pies.

