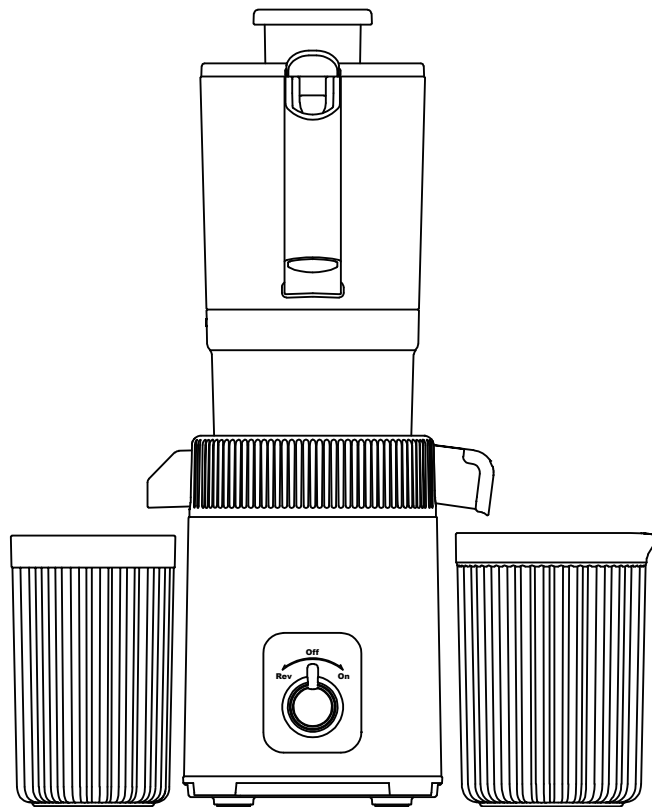


SLOW JUICER

HGM-901

Instruction Manual



Dear user, thank you for using our slow juicer. In order to facilitate your correct operation of this product, please read this manual carefully before use.

(The technical specifications in this manual are subject to change without prior notice)



Scan the QR code to watch
the product videos



Web: www.electacticshop.com



Email: service@electacticshop.com

Content

Chapter 1 Safety Precautions for Use	1
Chapter 2 Component Name	3
Chapter 3 Function Description	3
Chapter 4 Technical Parameter	4
Chapter 5 Reminder Before Use	4
Chapter 6 Product Usage	5
Chapter 7 Cleaning and Maintenance	8
Chapter 8 Fault Analysis and Troubleshooting	9

Chapter 1 Safety Precautions for Use

IMPORTANT SAFE GUARDS

Read these safeguards carefully before using this product.

When using electrical appliances, basic safety precautions should always be followed including the following:

Read all instructions.

- NOT FOR USE BY CHILDREN! Keep out of the reach of children to avoid injury.
- Be sure to turn to OFF position after each use of your juicer.
- Make sure the lid is attached properly and securely locked before operating the juicer.
- Do not unfasten the locking bar during operation.
- To avoid risk of injury, keep hands and utensils out of the juicer and away from its sharp blade during operation.
- Do not put your fingers or other objects into the juicer opening while it is in operation. If food becomes lodged in opening, use food pusher or another piece of fruit or vegetable to push it down.
- When this method is not possible, turn the motor off and disassemble juicer to remove the remaining food.
- Portable - Turn the appliance OFF, then unplug from the outlet when not in use, before assembling or disassembling parts and before cleaning. To unplug, grasp the plug and pull from the outlet. Never pull from the power cord.
- Permanently Installed - Make sure appliance is OFF when not in use, before putting on or taking off parts, and before cleaning.
- Avoid contacting moving parts. Do not attempt to defeat any safety interlock mechanisms.
- Never feed food by hand. Always use food pusher.
- Contact the manufacturer at their customer service telephone number for information on examination, repair, or adjustment.
- Always make sure juicer cover is clamped securely in place before motor is turned on. Do not unfasten clamps while juicer is in operation.
- Be sure to turn switch to OFF position after each use of your juicer. Make sure the motor stops completely before disassembling.

- Should food become lodged in the opening use pusher to push it down. If food remains stuck, turn the power off, wait until motor stops, unit shuts down completely, and is unplugged before disassembling the juicer and removing the blocked food.
- Make sure the motor stops completely and the unit is unplugged from the electrical outlet before cleaning, putting on or removing parts.
- TO protect against risk of electrical shock or injury, never immerse power cord, plug main unit into water, or other liquids.
- If juicer stops due to improper operation or if there is excessive noise. turn power off and wait for blade to stop spinning, unplug from electrical outlet, disassemble and clean all components then reassemble machine.
- Do not operate this or any appliance with a damaged cord or plug.
- Do not use outdoors.
- Do not operate if appliance malfunctions, is dropped or damaged in any manner.
- Let a qualified appliance repair person examine and repair appliance before using.
- Do not let power cord hang over the edge of table, counter, or let cord touch hot surfaces such as stoves.
- Do not use the appliance if the rotating sieve or the protecting cover is damaged.
- To reduce the risk of injury. never place blade on base without properly assembling the unit
This appliance has a polarized plug(one blade is wider than the other).
- To reduce the risk of electric shock, this plug will fit in a polarized outlet only one way. If the plug does not fit fully in the outlet, reverse the plug. If it still does not fit, contact qualified electrician. Do not modify or force the plug in any way.
- The motor will not run if unit is not properly assembled.
- This appliance is not intended for use by persons(including children with reduced physical sensory or mental capabilities, or lack of experience and knowledge, unless they have been given supervision or instruction concerning use of the appliance by a person responsible for their safety.)
- Children should be supervised to ensure that they do not play with the appliance
- The use of attachments not recommended or sold by the manufacturer may cause fire, electric shock or injury.
- Do not use appliance for other than intended use.

SAVE THESE INSTRUCTIONS

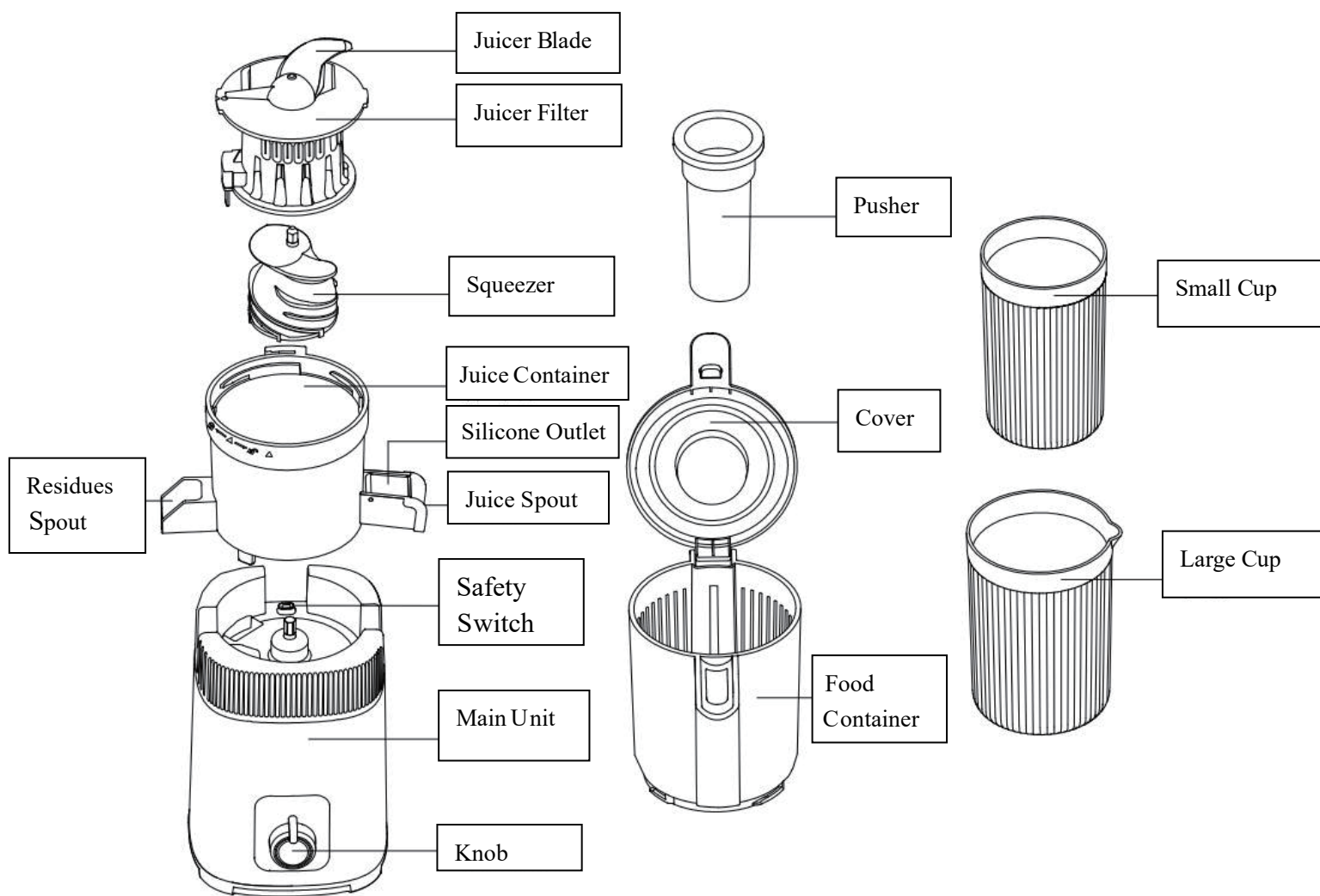
ADDITIONAL SAFEGUARDS

The Juicer has a thermal cut-off safety feature. If the unit accidentally overheats, it will stop working temporarily until the Juicer cools down. Afterwards, the unit will continue to work again normally.

In the event the Juicer is jammed the motor may shut down. If this occurs, the juicer should be shut off and unplugged. The unit should be thoroughly cleaned to remove the obstruction.

The thermal cut-off safety feature is designed to shut off the motor when it overheats. Please use extreme caution when handling the Juicer blade as the blades are very sharp. Always turn power off to the Juicer immediately and remove power cord from electric outlet before disassembling to clean due to any food obstruction.

Chapter 2 Component Name



Chapter 3 Function Description

<p>Knob</p> <p>Safety Switch</p>	<p>(Knob switch) Rotary switch</p>	<p>OFF: Turn off the power. ON: Turn on the power. Adding fruits or vegetables such as apple, carrot, ginger or celery, etc. REV: Reverse gear. ① When the processed ingredients get stuck, choose to reverse and remove the ingredients; ② After processing the ingredients, reversing half a circle can easily remove the juicing component on the main unit.</p>
	<p>Safety Switch</p>	<p>For the safety protection system to function correctly, the juicer's container and top rod must be precisely aligned. Any misalignment will disable operation.</p>

Chapter 4 Technical Parameter

Product Name	Slow Juicer
Product Model	HGM-901
Rated voltage	120V
Rated Frequency	60Hz
Rated Power	200W

Chapter 5 Reminder before use

CAUTIONS	REASONS
Prohibition of squeezing ice cubes	Ice cubes are relatively hard, which can easily cause damage to the juicing components.
Cut coarse fiber foods into cubes of approximately 5x5 centimeters.	Fibers that are too long are prone to entanglement and difficult to feed, resulting in inability to extract juice or damage to juice extraction components.
Fruits with hard nuclei must be used after removing the nuclei.	Hardcore can easily cause damage to juice extraction components.
It is prohibited to use any items other than the provided push rod to push food ingredients.	If other items are used to push ingredients, it may cause damage to the machine.
The continuous juicing time cannot exceed 10 minutes.	Exceeding the juice extraction time can cause the motor to heat up and be easily damaged.
Please do not insert spoons, chopsticks, etc. into the food container, juice spout, or the residue spout.	It will cause damage to the machine.

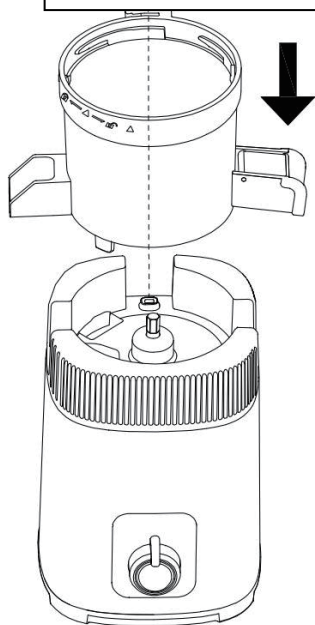
Chapter 6 Product Usage

Before using the product for the first time, please thoroughly clean the parts that come into contact with the ingredients (pay attention to the sharpness of the stirring blade).

This product is equipped with a dual safety system, which will only work after all components are correctly installed.

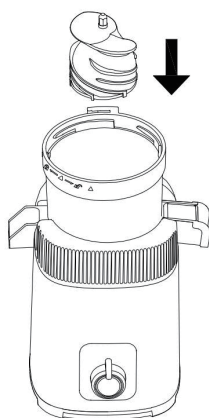
Operation instruction :

Safety alignment



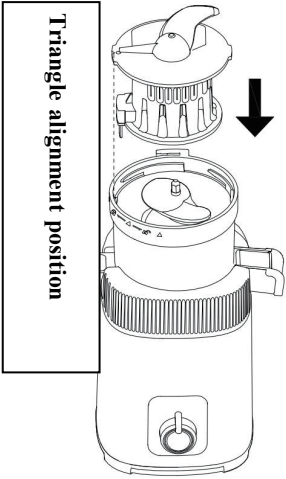
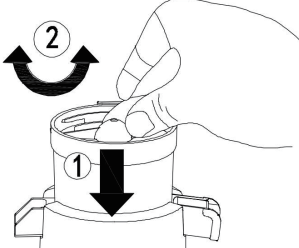
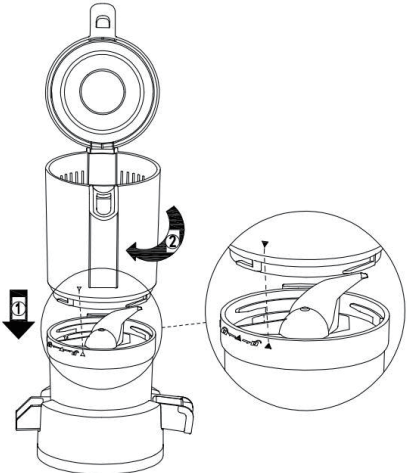
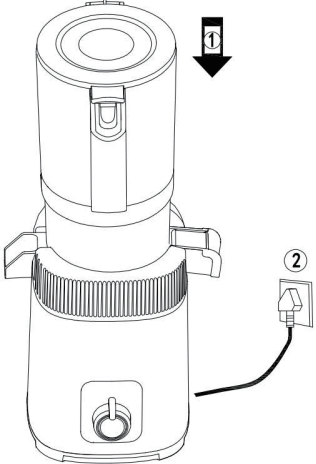
Install the juicer into the main unit in the indicated direction, ensuring that the safety switch between the two is in the correct position.

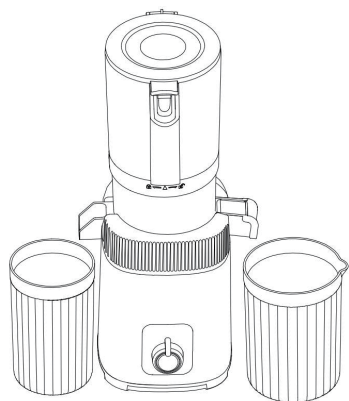
Attention: If the safety switch is not in the correct position, it will not be able to power on.



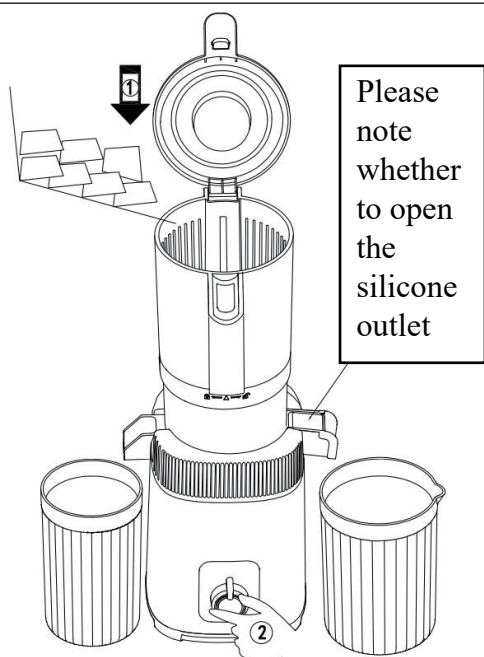
Install the squeezer into the juicer in the indicated direction, ensuring that the central shaft is fully fitted onto the main shaft of the machine.

Attention: The Squeezer must be fully fitted onto the main shaft and pressed to the bottom. Otherwise, other accessories cannot be installed in place later on.

	<p>Insert the juicer filter(with blade) into the juice container in the indicated direction.</p> <p>Attention :</p> <ol style="list-style-type: none"> 1. When placing the juicer filter, pay attention to aligning the concave triangle on the edge with the convex triangle of the juice container ; 2. When placing the juicer filter on the squeezer , it is necessary to gently shake the blade left and right to ensure complete installation, otherwise it cannot be screwed in when installing the juice container later. 
	<ol style="list-style-type: none"> ① Align the triangular mark of the food container with the triangular mark of the juice container in the indicated direction and place it on the juice container ; ② Rotate clockwise into the juicer and align with the other triangular symbol to indicate complete rotation into place. <p>Cautions:</p> <ol style="list-style-type: none"> 1. In the previous step, the juicer filter was not fully assembled in place, and the food container was screwed in too tightly or could not be loaded; 2. If the food container is not fully screwed into place, the product will not work.
	<ol style="list-style-type: none"> ① Close the container cover; ② Insert the power supply and power the product. <p>Attention :</p> <ol style="list-style-type: none"> 1. If the container cover is not properly closed, the product cannot function properly; 2. Please ensure that the working voltage meets the product voltage.



Place the large and small cups separately under the juice spout and the residue spout of the juicer, as close as possible to the main machine, to avoid juice and residue being released outside.



Please note whether to open the silicone outlet

Note: Before processing the ingredients, please cut them into blocks of about 5X5 centimeters in size for later use.

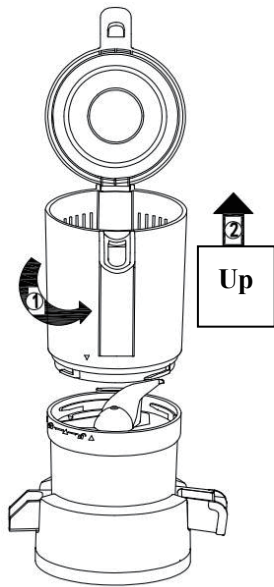
- ① Open the container cover (the product cannot work, if it works, it is an unqualified product and strictly prohibited to use), and put the pre-cut ingredients into the food container.
- ② Close the container cover and turn the rotary switch to the "On" position to start the product. During the work process, if there is a jam, turn the rotary switch to the "Reverse" position to push out the ingredients, then turn the rotary switch to the "On" position to continue working. After juicing, turn the rotary switch to the "Off" position.

Attention:

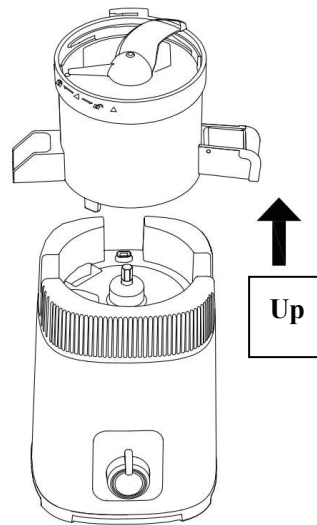
1. This product is not suitable for processing high hardness or high fiber fruits and vegetables such as sugarcane, high viscosity fruits and vegetables such as avocado, banana, fig, mango, papaya, dragon fruit, bayberry, etc., as these fruits are prone to clogging the juicing net;
2. Put the ingredients in order, not too fast or too much, to avoid getting stuck;
3. During the process of processing ingredients, pay attention to whether the silicone outlet has been opened;
4. The continuous working time cannot exceed 10 minutes.

Chapter 7 Cleaning and Maintenance

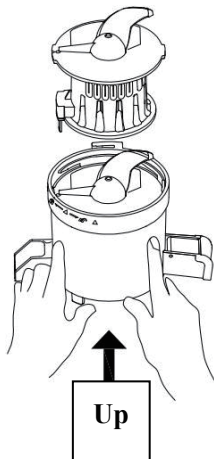
1、 Open the container cover, unscrew the food container counterclockwise and remove it upwards.



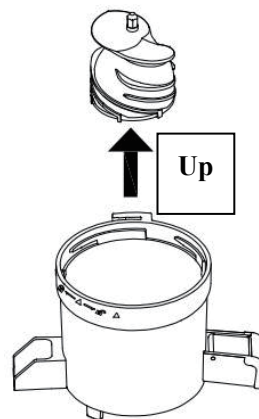
2、 Take out the entire juice container.



3、 Push the squeezer shaft in the middle of the juice container's bottom by hand, and then remove the juice container.



4、 Take out the Squeezer.



Be careful:

Before cleaning, please make sure to cut off the power and wait for the host to completely stop running before disassembling and cleaning.

Please clean and dry this product promptly after use.

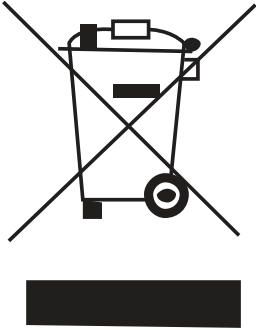
The host can be wiped with a damp cloth, and food container, container cover, squeezer, juicer filter, large cup, small cup, and pusher can be directly rinsed with water.

Chapter 8 Fault Analysis and Troubleshooting

Fault phenomenon	Cause analysis	Troubleshooting
The running machine suddenly stops	<ol style="list-style-type: none"> 1. Overfeeding of fruits and vegetables at once leads to blockage. 2. Vegetables and fruits are not finely cut. 3. The machine itself is malfunctioning. 	<ol style="list-style-type: none"> 1. Turn the switch to the "reverse" position to allow excess ingredients to be pushed back out. If the machine still cannot resume operation after three consecutive actions, please remove the blocked fruits and vegetables. 2. Cut the fruits and vegetables into slender strips and put them into the machine for juice extraction. 3. Consult a professional maintenance personnel.
Juice flows out from the main unit	<ol style="list-style-type: none"> 1. The silicone on the central axis of the juice container, or the silicone outlets near the residue spout and on the juice spout, are either not installed in place. 2. The silicone outlets near the residue spout or on the juice spout are closed. 	<ol style="list-style-type: none"> 1. Re-assembly. 2. Open the silicone on the residue/juice outlet correctly.
There is abnormal noise	<ol style="list-style-type: none"> 1. When juicing, the parts make a squeezing sound. 2. Machine malfunction. 	<ol style="list-style-type: none"> 1. The machine may make a sound of squeezing fruits and vegetables during operation, please feel free to use it. 2. Consult a professional maintenance personnel.
The food container and The juice container cannot be take out	<ol style="list-style-type: none"> 1. Excessive residue in the juice container; 2. Confirm if there are any hard objects similar to fruit pits stuck in the juice container; 3. Too much residue is stuck in juicer filter, juice container, and food container. 	Turn the switch to the "reverse" position. <ol style="list-style-type: none"> 1. to pour out the residue, hold the juicer and turn it left and right a few times to lift it up; 2. to return the hard object to the feeding port; 3. to remove the residue.
Dyeing of food contact parts after machine use	It is because fruits/vegetables have specific natural pigments	This natural pigment is a normal phenomenon, please feel free to use it

The above are common fault analysis and troubleshooting methods. For other faults, please contact our customer service department or go directly to the designated repair point for repair. Do not disassemble and repair them yourself.

CORRECT DISPOSAL



This marking indicates that this product should not be disposed with other household wastes. To prevent possible harm to the environment or human health from uncontrolled waste disposal, recycle it responsibly to promote the sustainable reuse of material resources. To return your used device, please use the return and collection systems or contact the retailer where the product was purchased, They can take this product for environmental safe recycling.

ROWAN ELECTRIC APPLIANCE LLC

8:30am-5:30pm P.S.T.
Monday to Friday



Web: www.electacticshop.com



Email: service@electacticshop.com