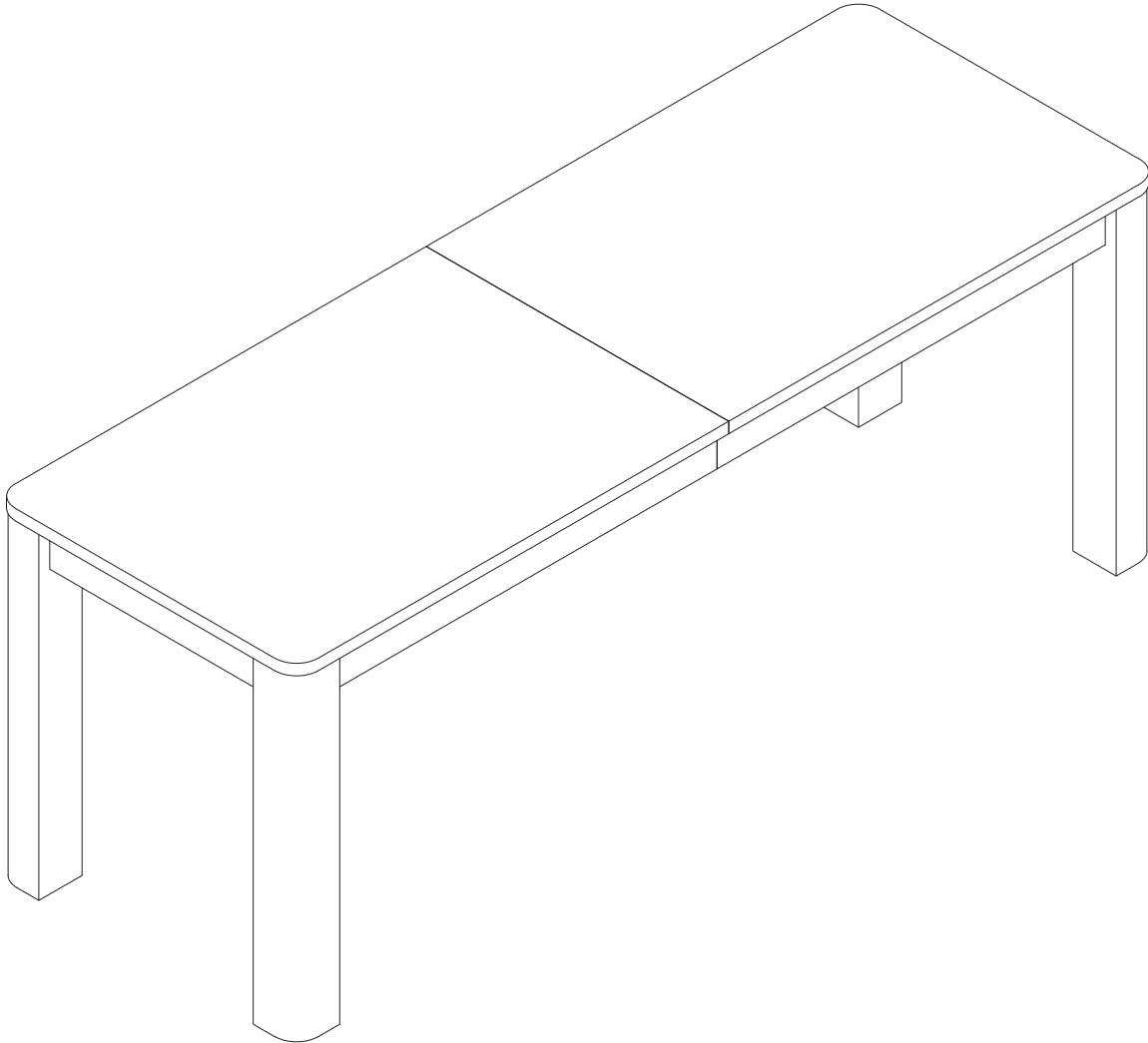


Assembly Instructions



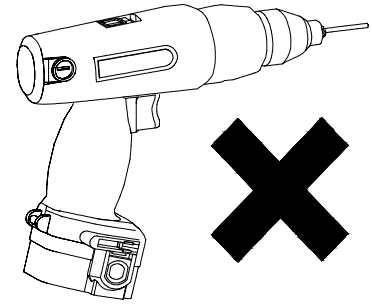
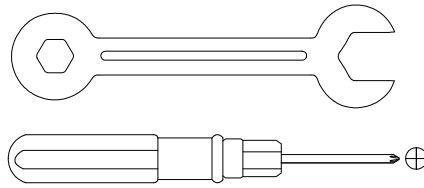
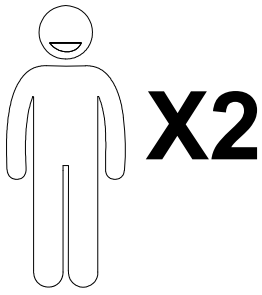
Contact Us

We're here to help you.

Your satisfaction is our top priority. If you encounter any issues with this product, such as missing or damaged parts, we're here to help. Please retain the original packaging and take photos of the packaging and the product, then contact us as soon as possible.

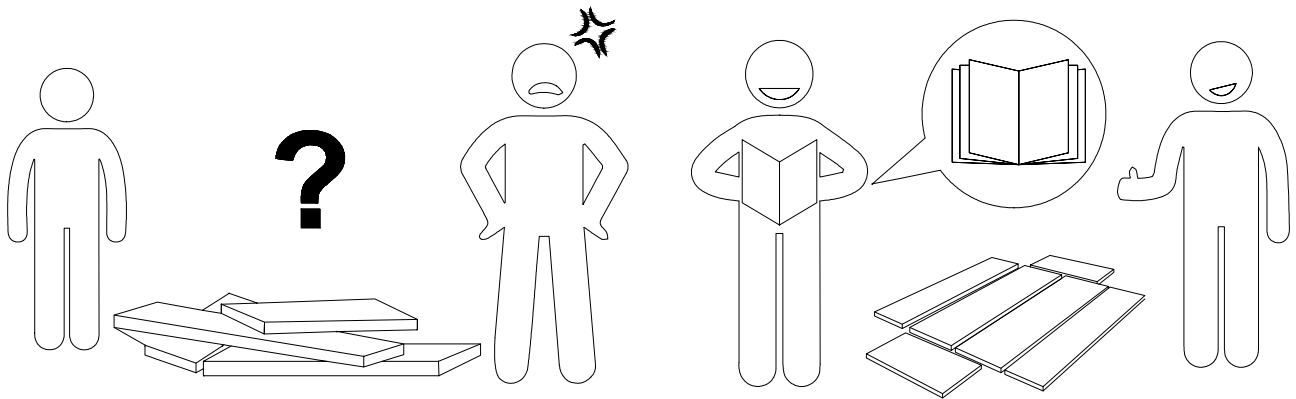
Warm Tips

1. Carefully read these instructions and keep them for future reference.
2. Check the parts list and confirm everything's there before starting assembly.
3. When assembling, put all parts on a soft, smooth surface like a carpet to avoid scratches.
4. Don't fully tighten screws until all parts are confirmed in place to avoid misalignment.



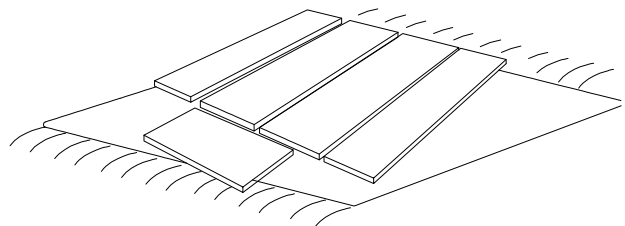
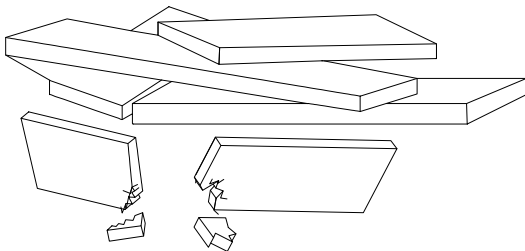
We recommend using hand tools for assembly.

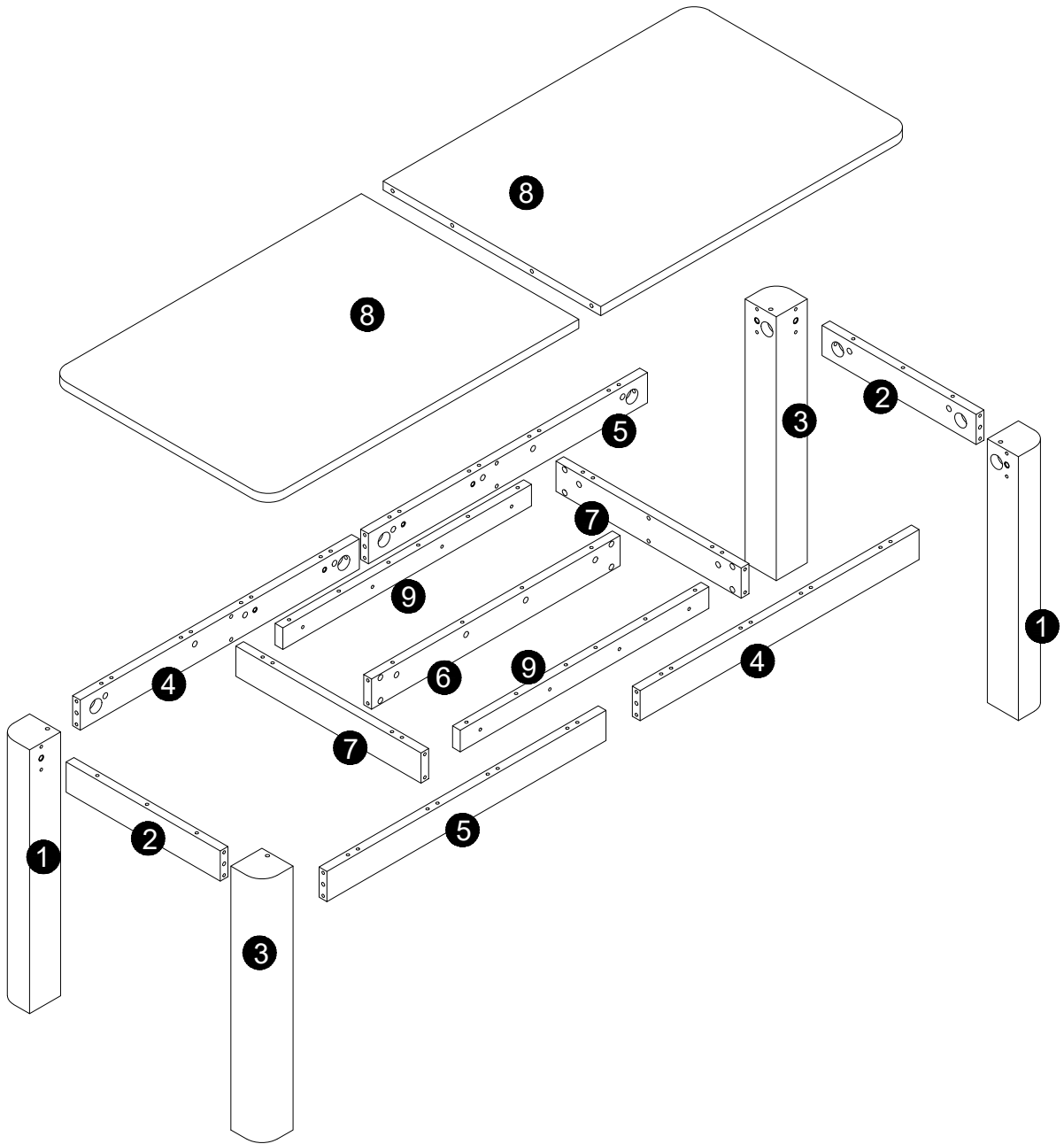
If an electric screwdriver is used, reduce power and torque to avoid damage to the product.



AVOID SCRATCHES

In order to avoid scratching, this furniture should be assembled on a soft surface, such as a rug.

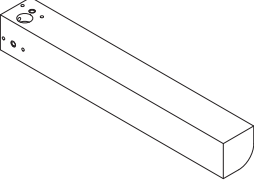
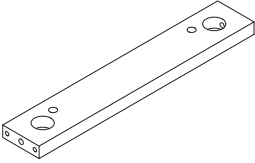
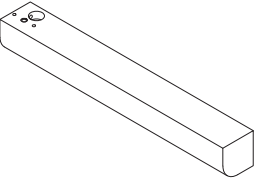
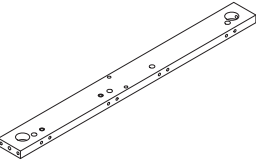
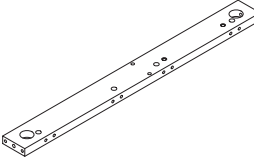
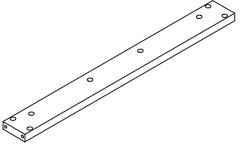
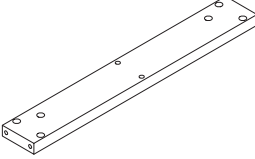
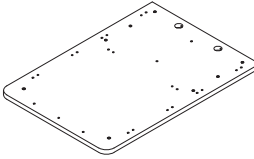
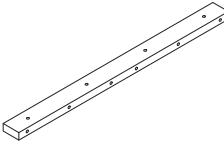





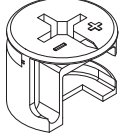

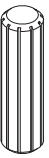
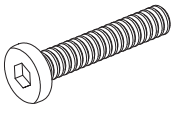
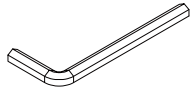
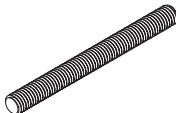
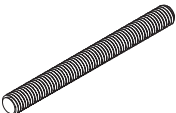
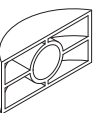
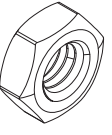
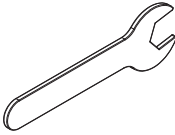
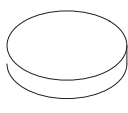
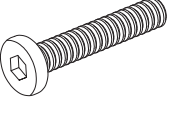
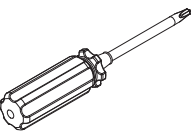
⚠ Caution

Make sure all parts are included. Most board parts are labeled or stamped on the raw edge. Contact us for a free replacement if you encounter any damaged or missing parts.

Parts List

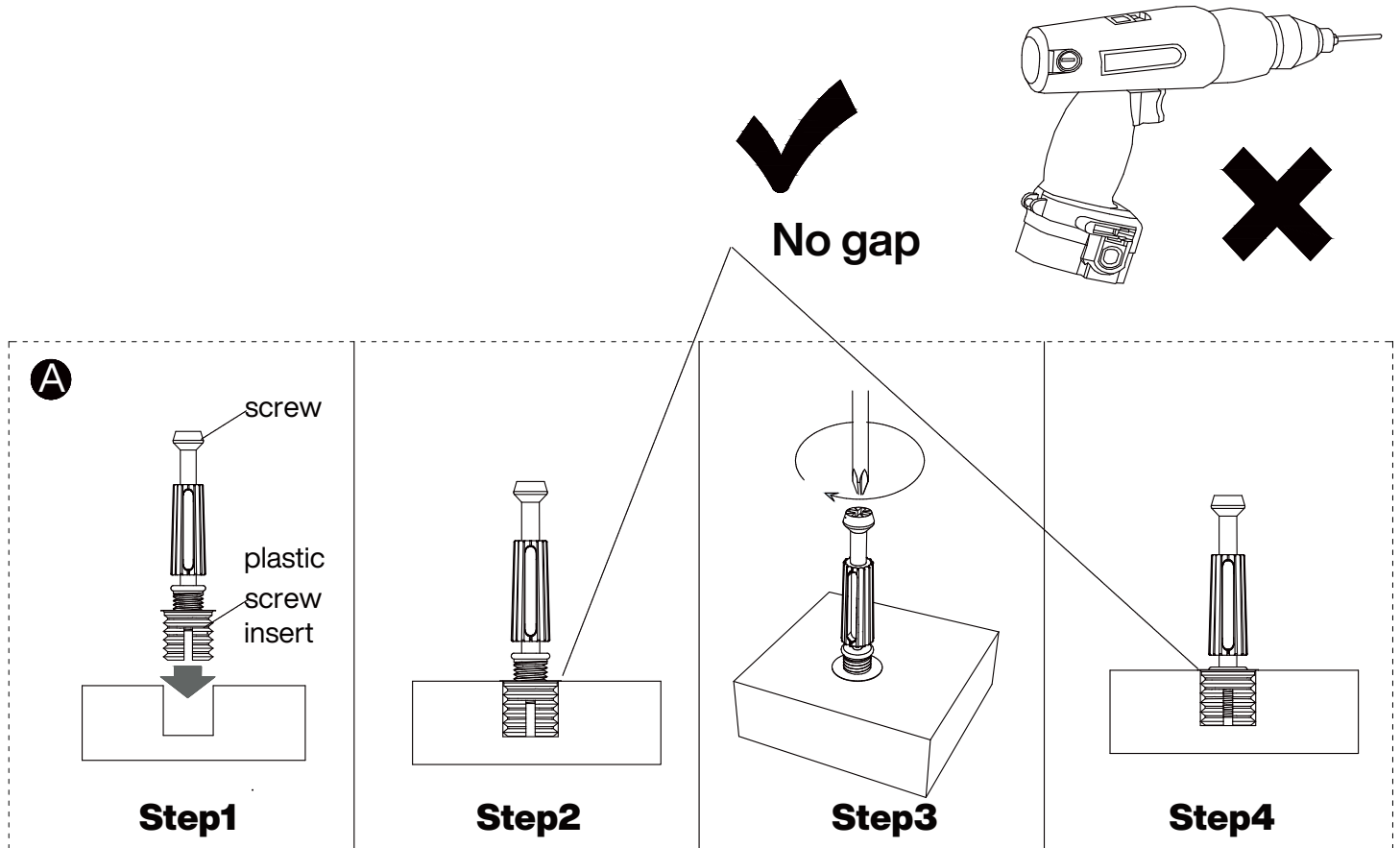
<p>1</p>  <p>2 pcs</p>	<p>2</p>  <p>2 pcs</p>	<p>3</p>  <p>2 pcs</p>	<p>4</p>  <p>2 pcs</p>	<p>5</p>  <p>2 pcs</p>
<p>6</p>  <p>1 pc</p>	<p>7</p>  <p>2 pcs</p>	<p>8</p>  <p>2 pcs</p>	<p>9</p>  <p>2 pcs</p>	

Hardware List

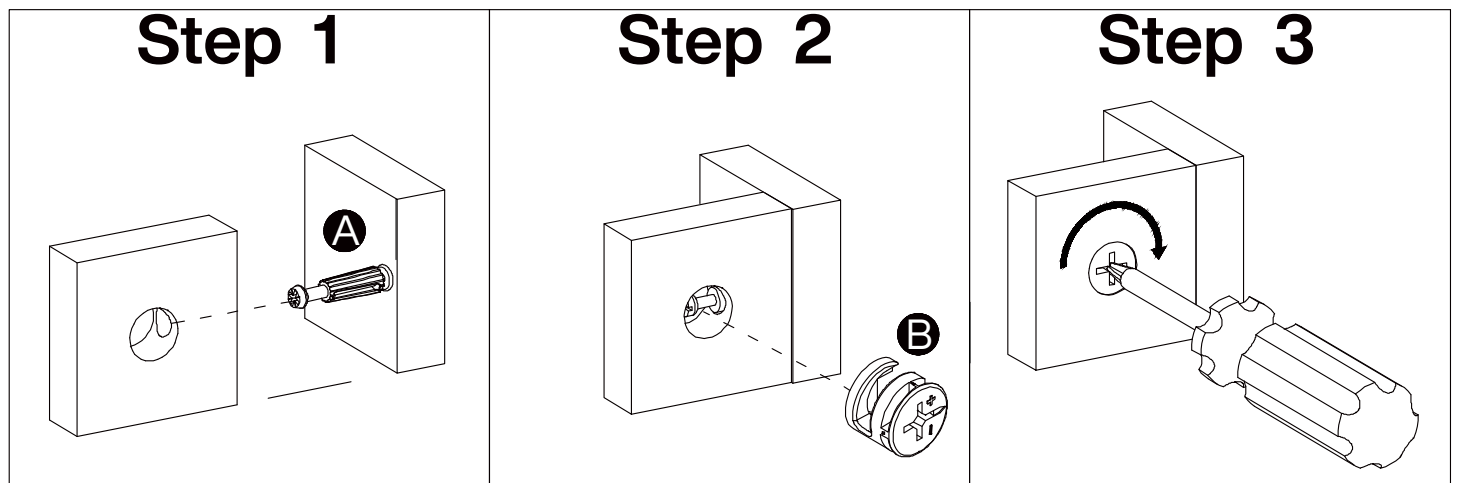
A	B	C	D	E	F
					
M6x35mm	Ø15x12mm	Ø8x30mm	Ø10x40mm	M6x40mm	4 mm
40 pcs	40 pcs	42 pcs	2 pcs	8 pcs	1 pc
G	H	I	J	K	L
					
Ø8x75mm	Ø8x100mm		Ø8mm		M30x5mm
12 pcs	4 pcs	20 pcs	20 pcs	2 pcs	4 pcs
M	N				
					
M6x65mm	Screwdriver				
12 pcs	1 pc				

Installation of Cams and Pins

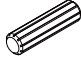

Step 1-2: Align the plastic part with the mounting hole and press it in. If you can't press it in, loosen the screw counter clockwise or completely remove the screw from the plastic part and try again.
Step 3-4: After pressing the plastic part into place, use a screwdriver to tighten the screw clockwise.

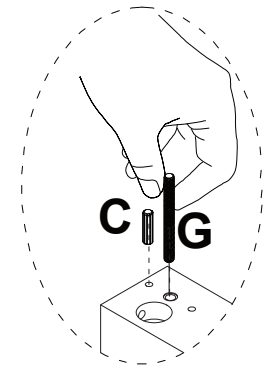
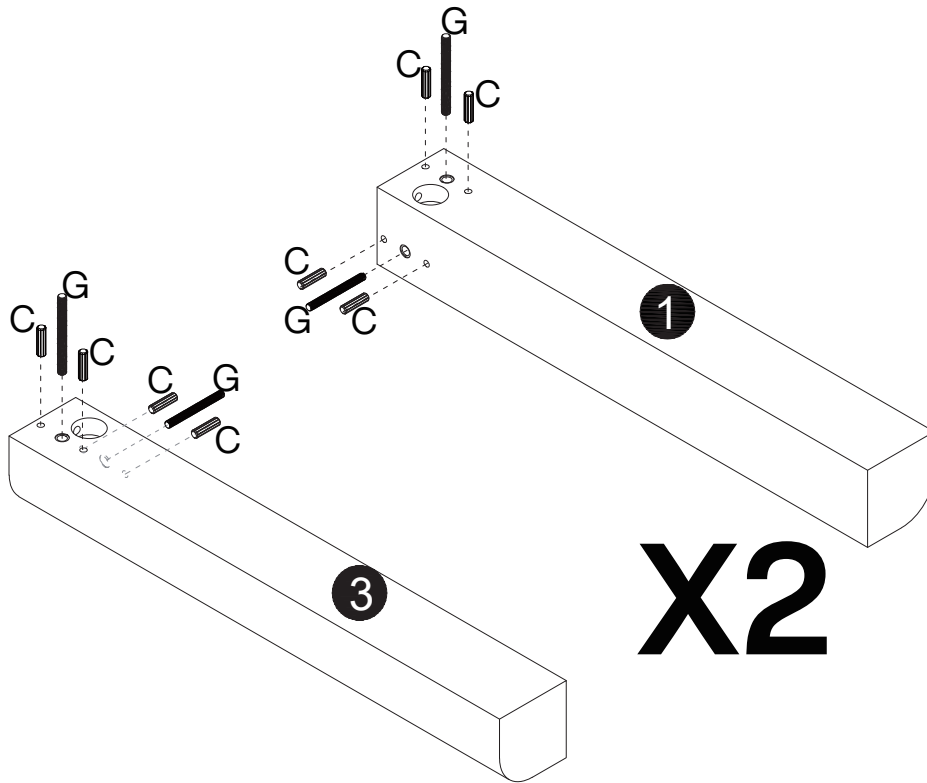


Screw the pin into the hole. Set the cams correctly by aligning the head of the cams with the lock pins. Lock the cam by turning the cam head with a screwdriver until it is tightened. Please do not use an electric screwdriver to assemble the unit.

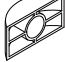



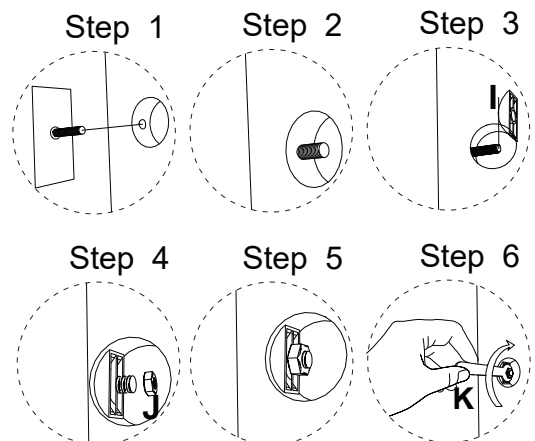
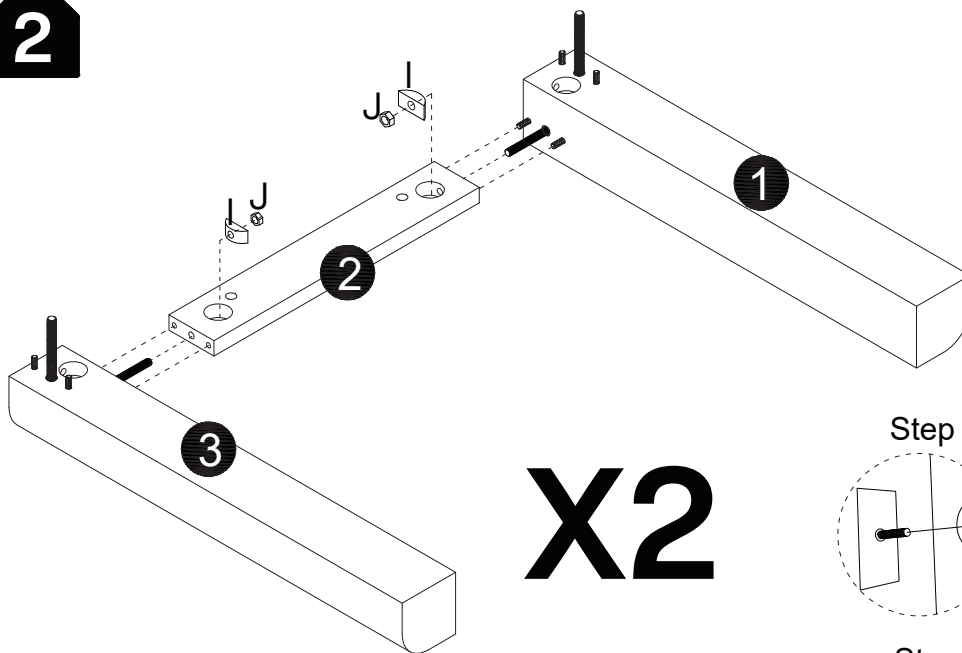
1

C	G
	
Ø8x30mm 16 pcs	Ø8x75mm 8 pcs




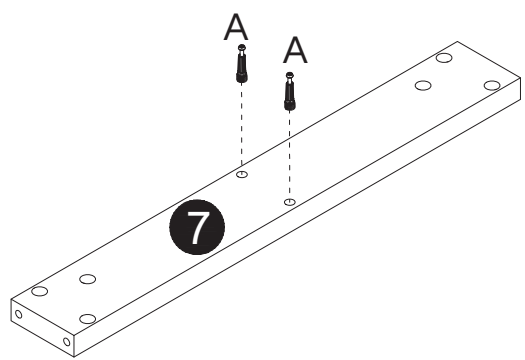
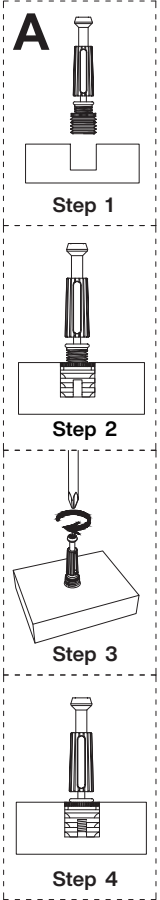
2

I	J
	
4 pcs	Ø8mm 4 pcs




3

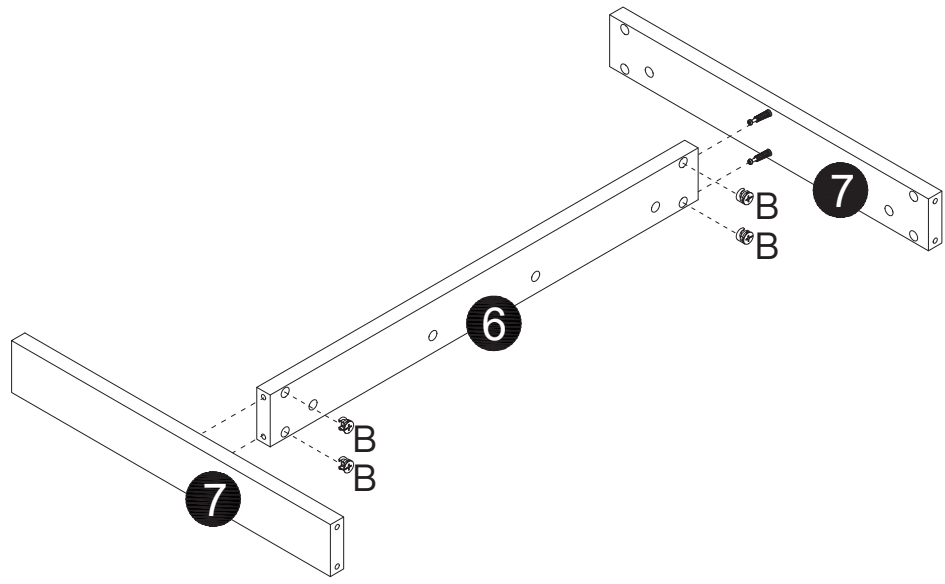
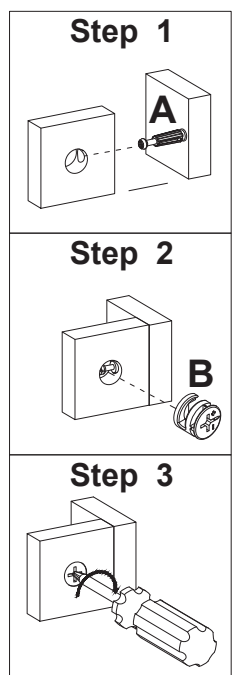
A

M6x35mm
4 pcs



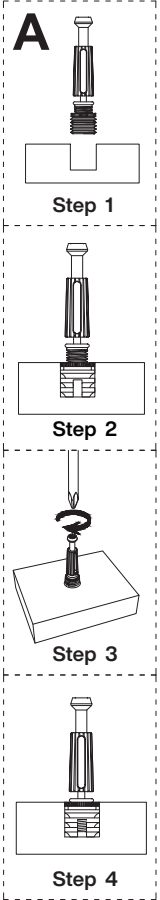
X2


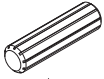
4

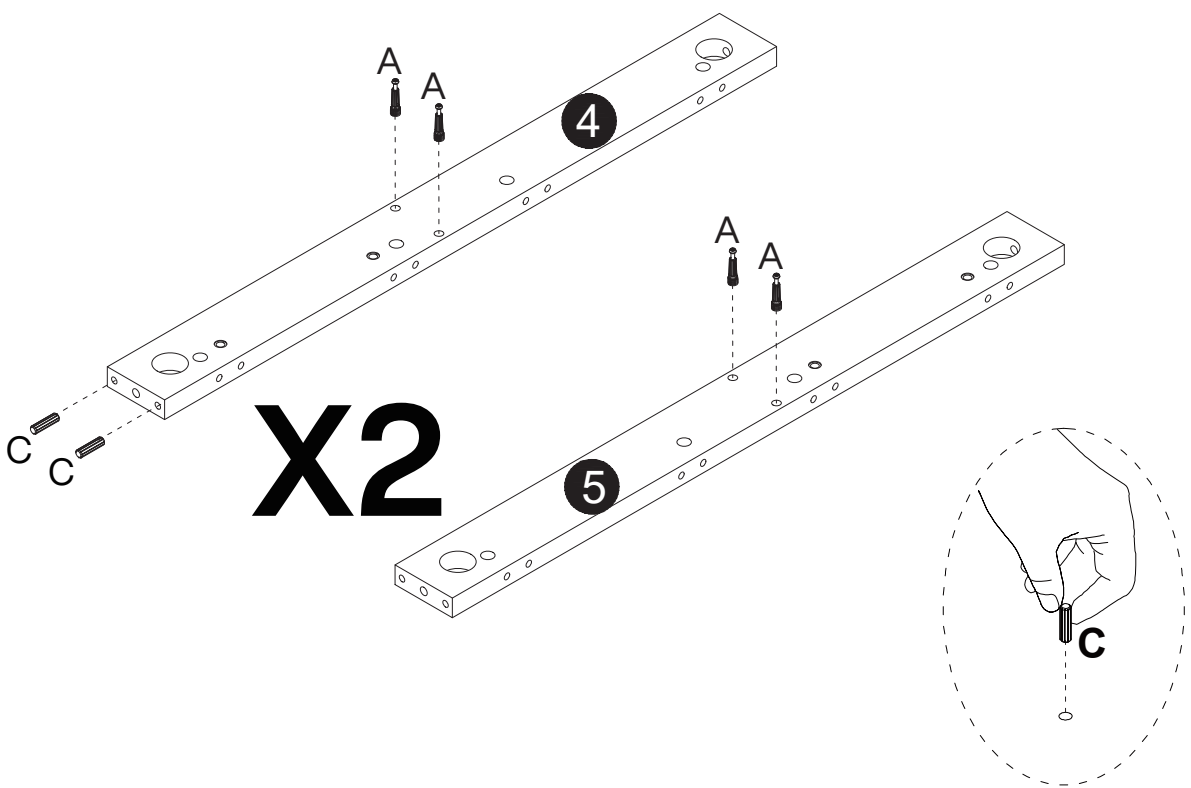
B

Ø15x12mm
4 pcs




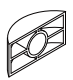
5




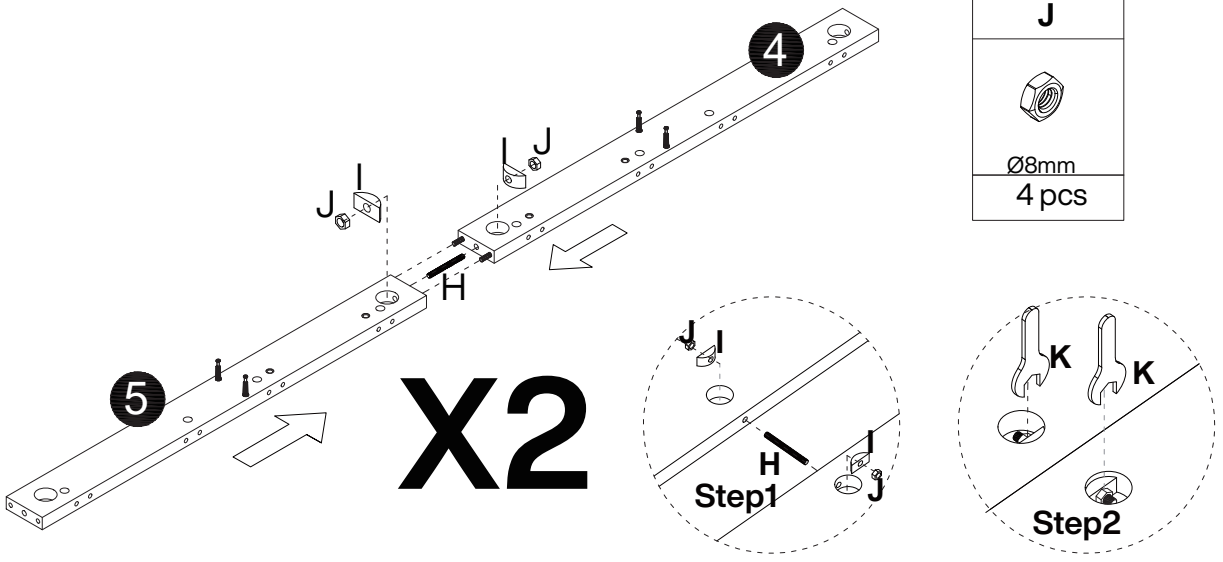
A	C
	
M6x35mm	Ø8x30mm
8 pcs	4 pcs




6

H	I
	
Ø8x100mm	
2 pcs	4 pcs

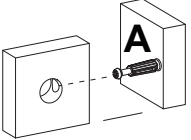
J

Ø8mm
4 pcs



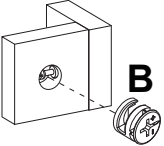
7

B

Ø15x12mm 4 pcs

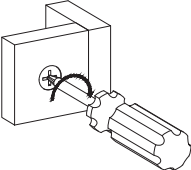
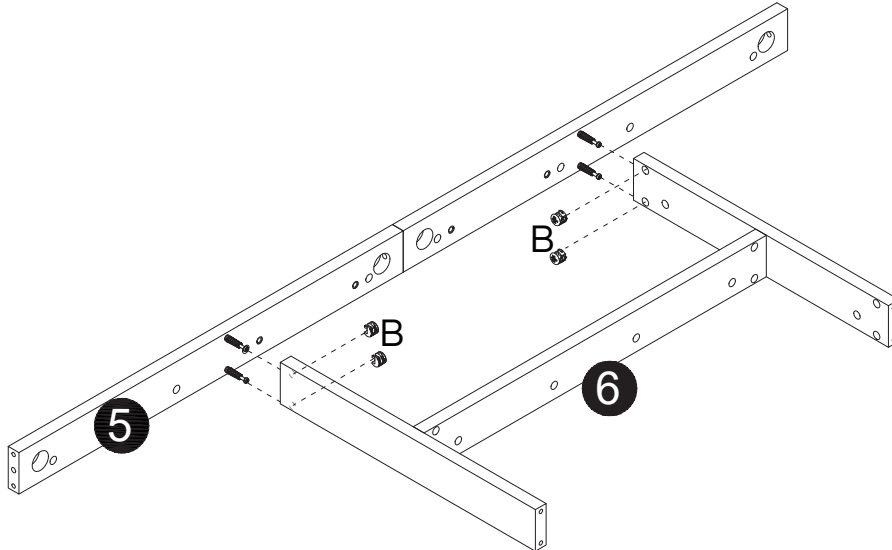
Step 1




Step 2



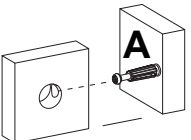
Step 3

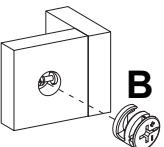
8

B

Ø15x12mm 4 pcs

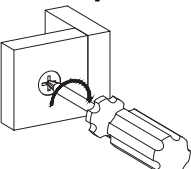
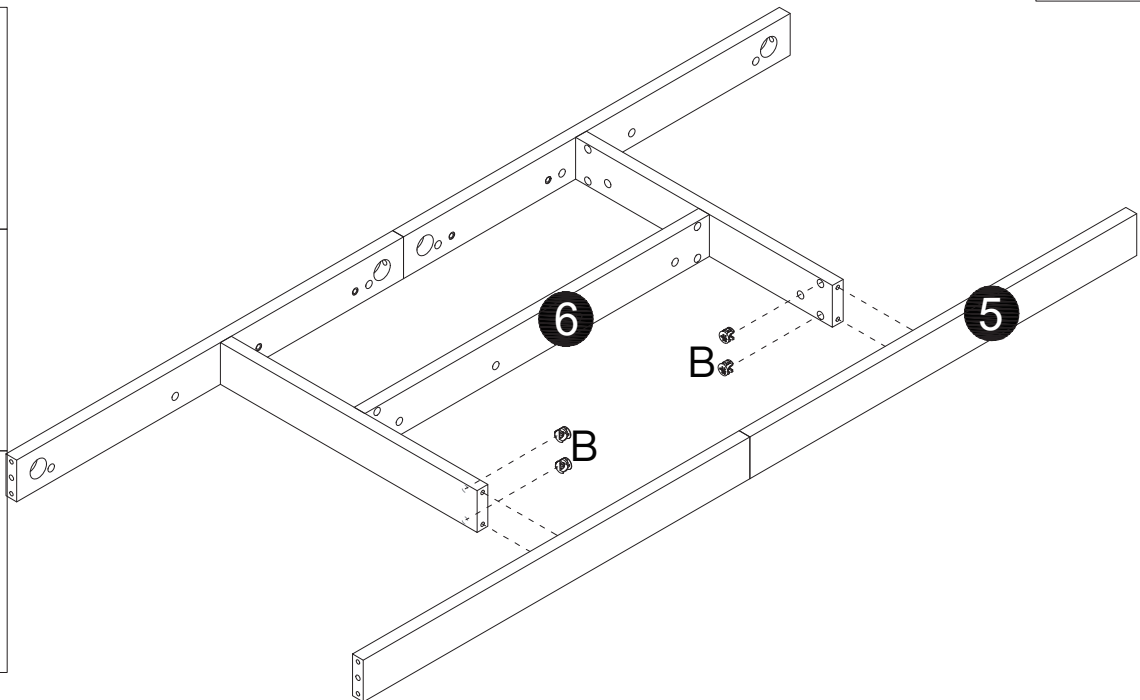
Step 1



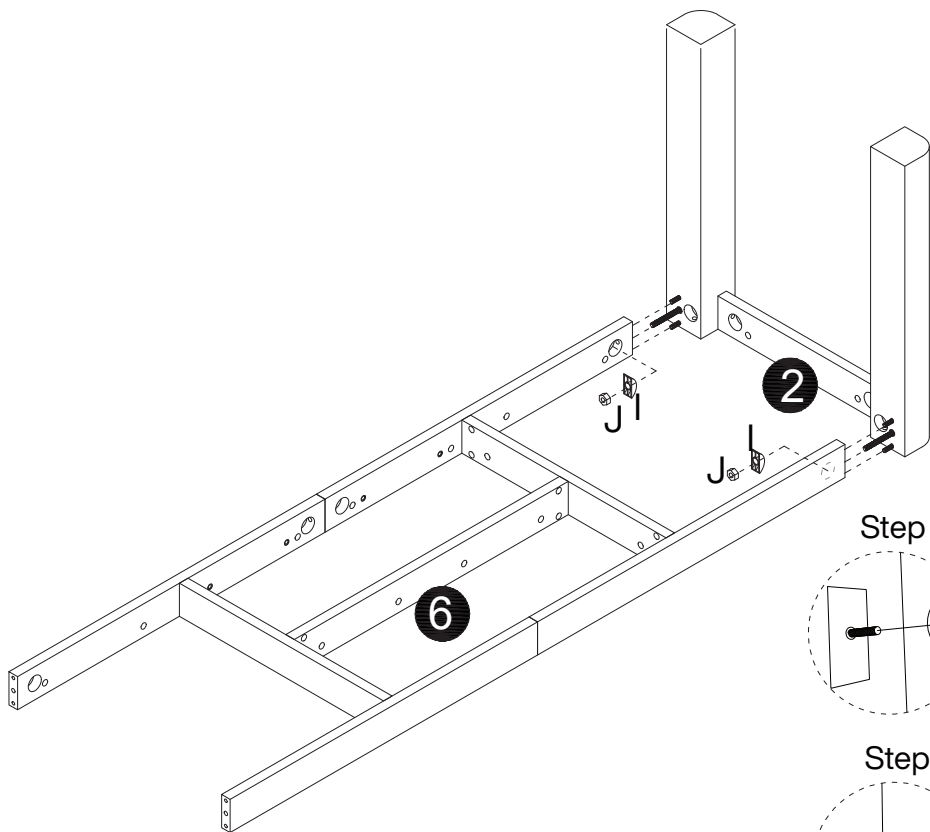
Step 2



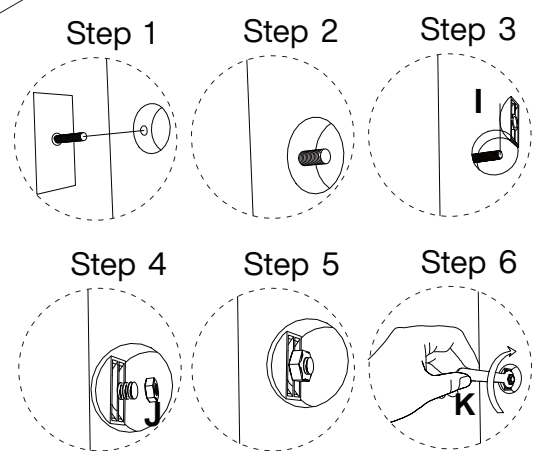
Step 3

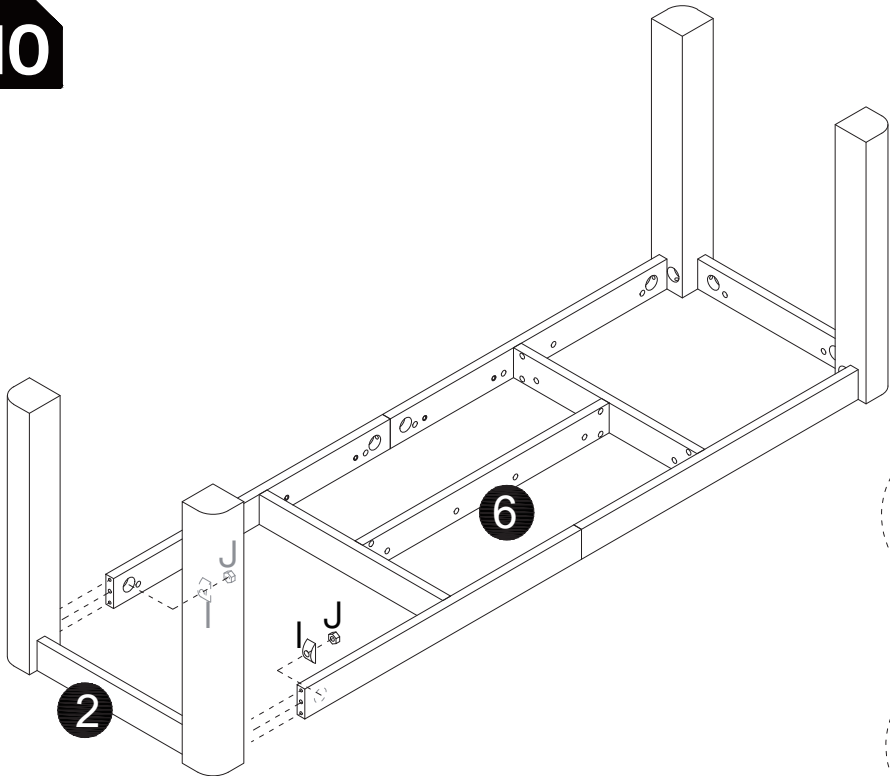
9



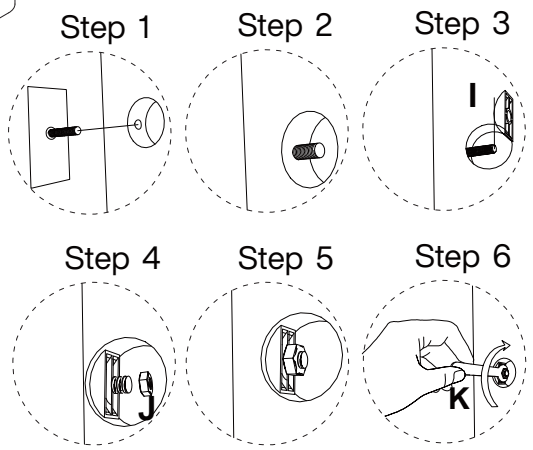
I	J
2 pcs	Ø8mm 2 pcs



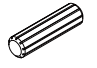
10

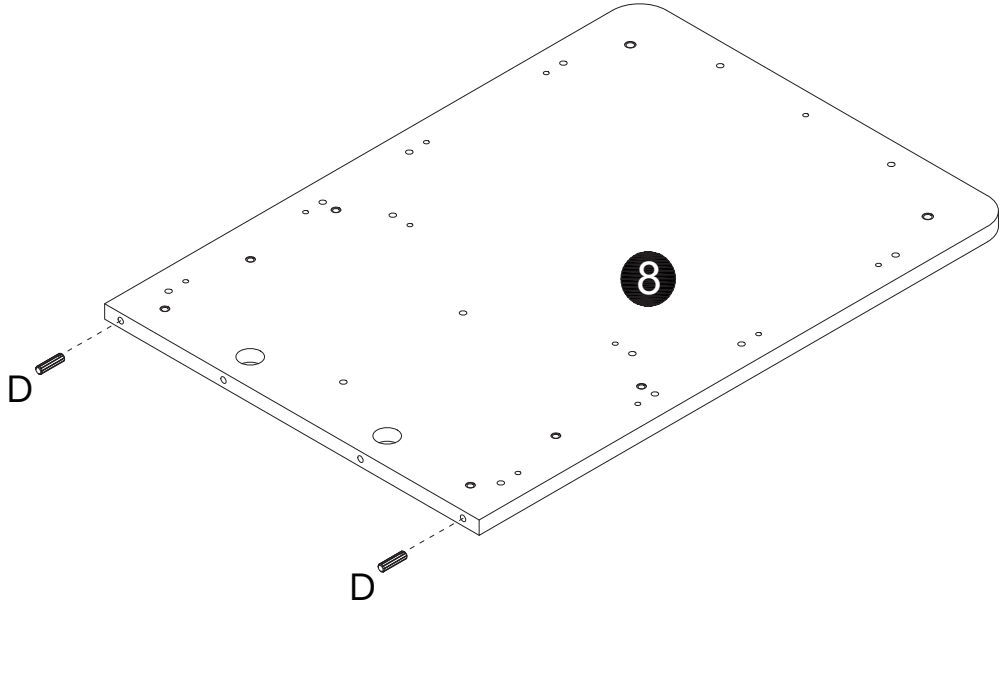


I	J
2 pcs	Ø8mm 2 pcs


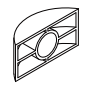



11

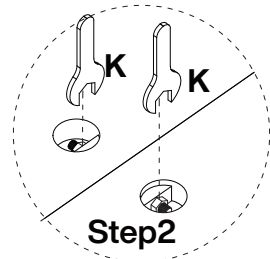
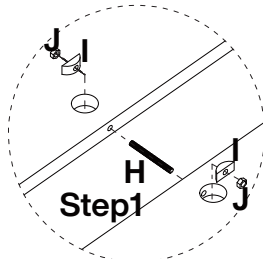
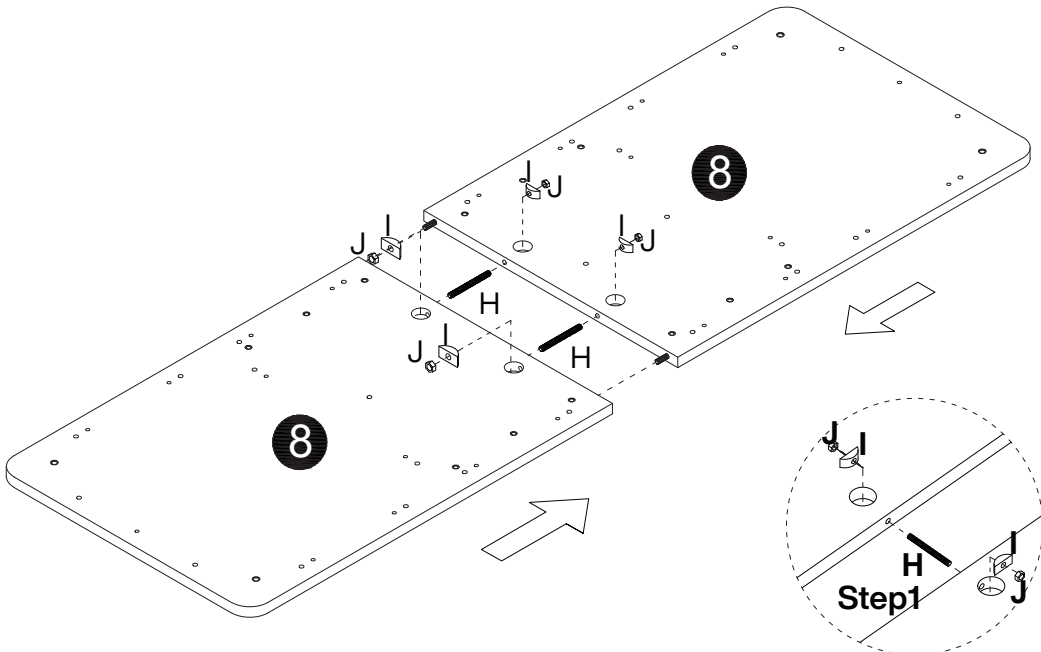
D

Ø10x40mm 2 pcs



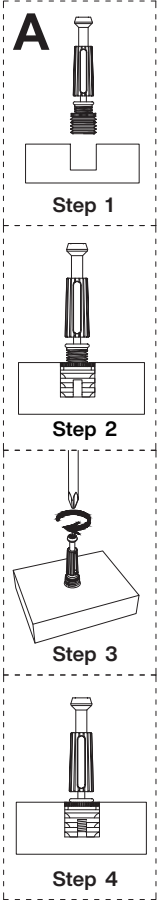
12


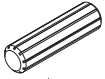
H	I
	
Ø8x100mm 2 pcs	4 pcs

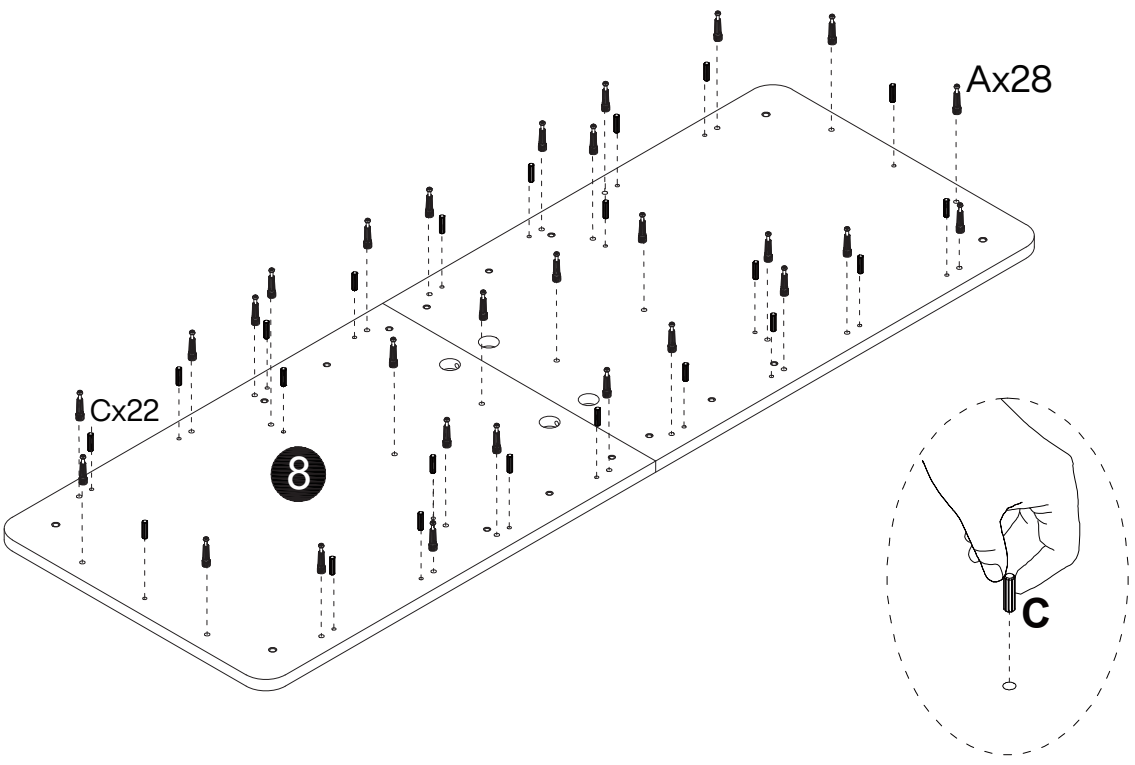
J

Ø8mm 4 pcs




13

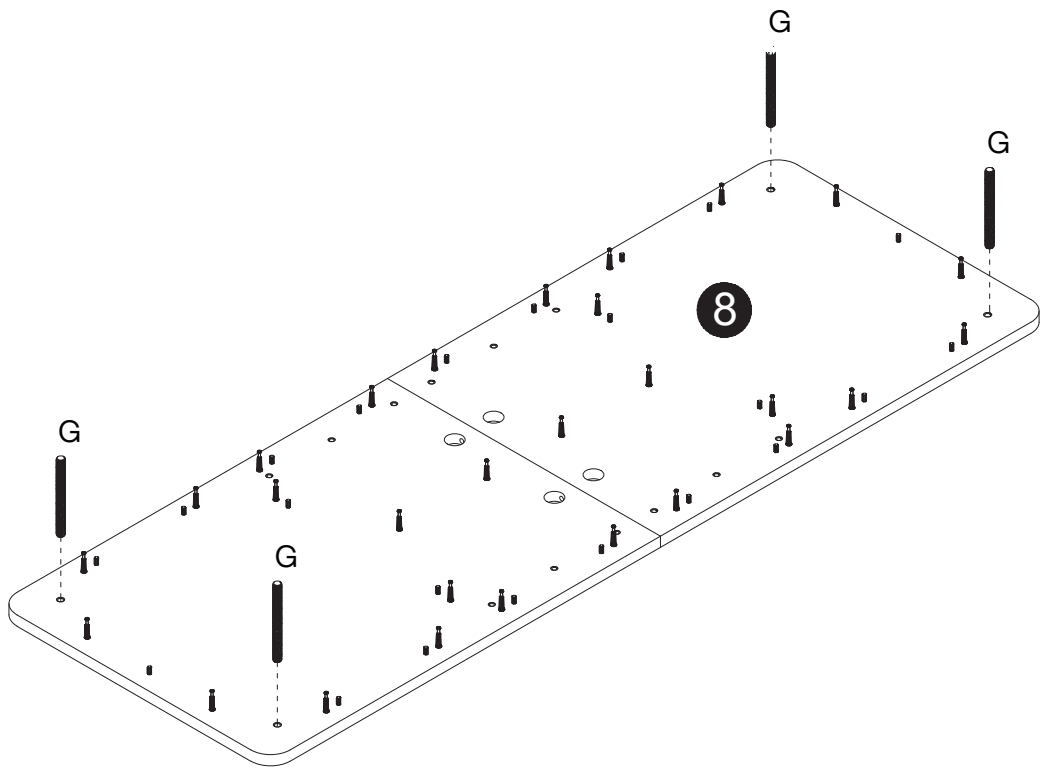


A	C
	
M6x35mm	Ø8x30mm
28 pcs	22 pcs



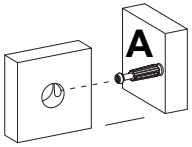
14

G

Ø8x75mm
4 pcs

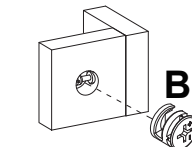


15

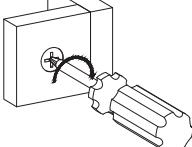
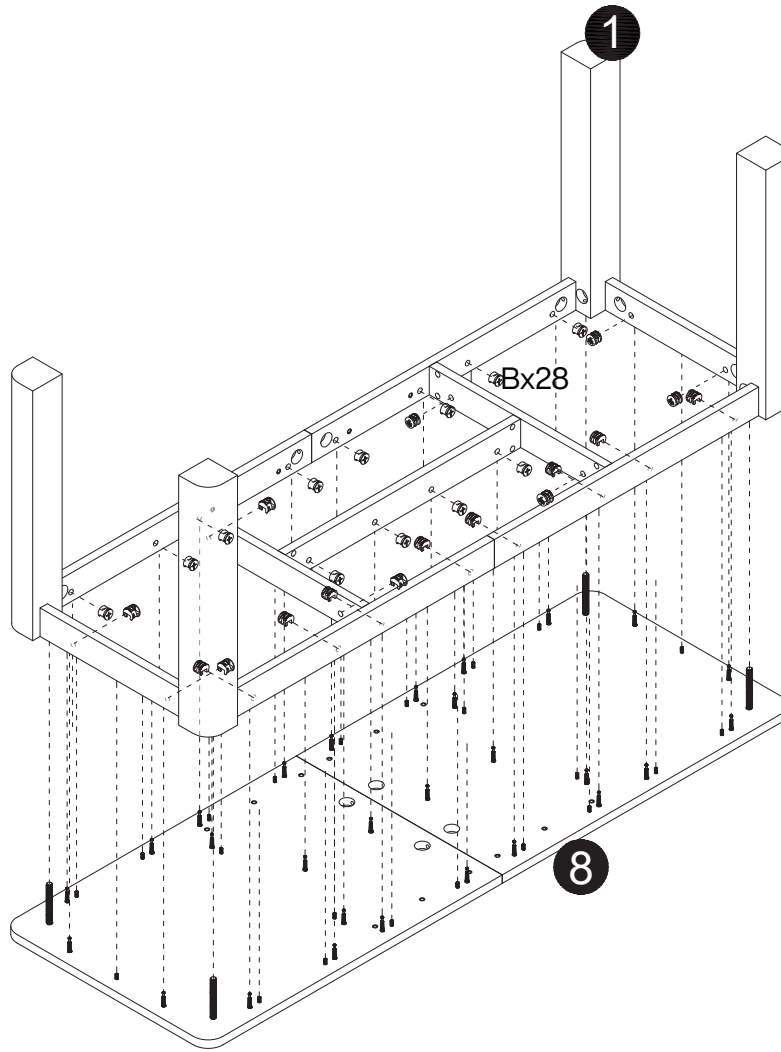
Step 1




Step 2

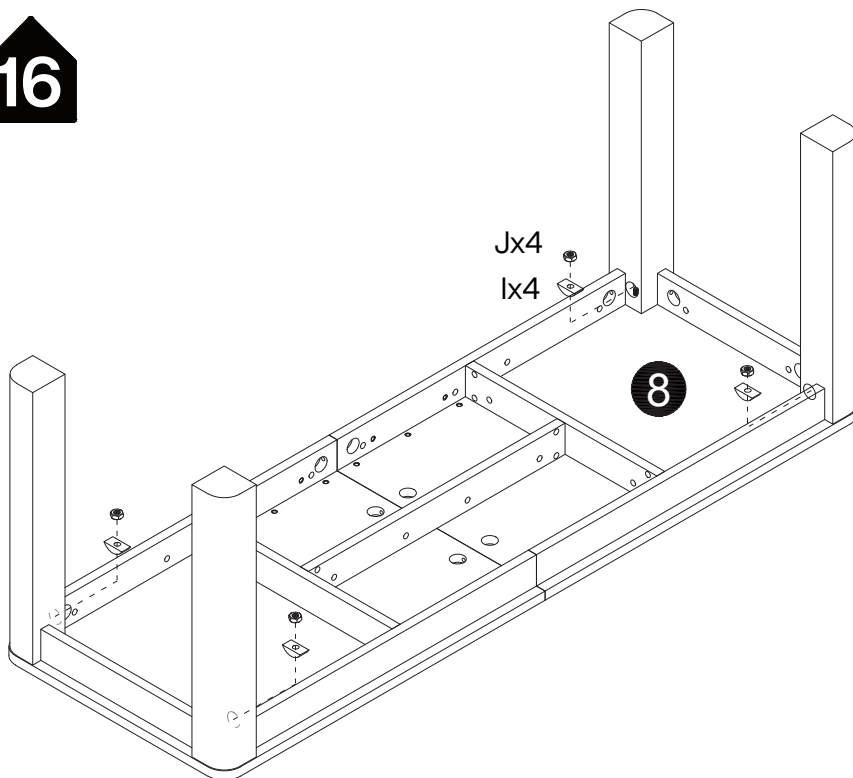


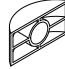

Step 3

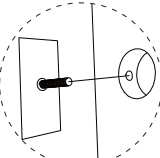
B

Ø15x12mm
28 pcs

16

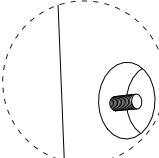


I	J
	
4 pcs	Ø8mm
4 pcs	

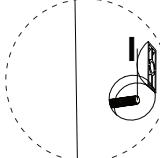
Step 1



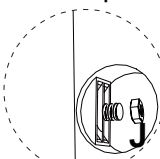
Step 2



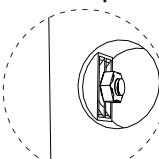
Step 3



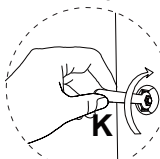
Step 4



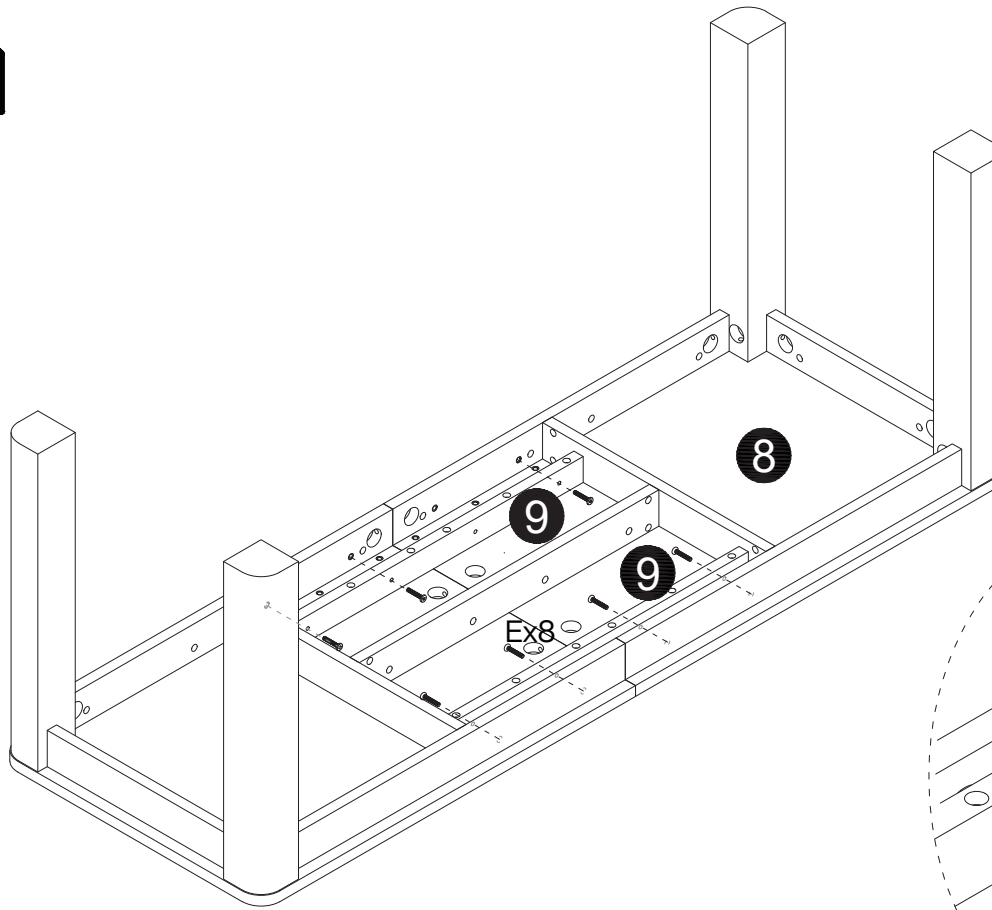
Step 5

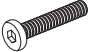


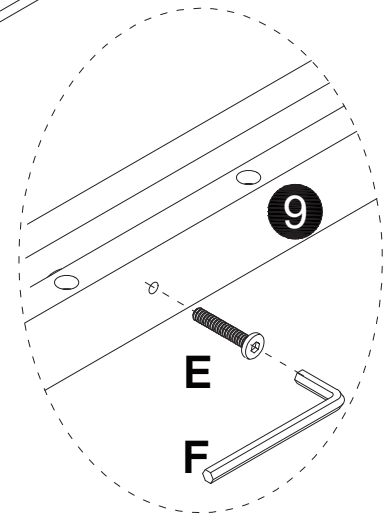
Step 6



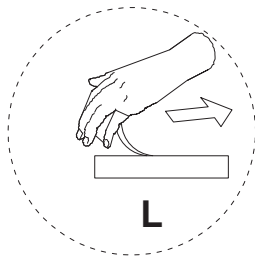
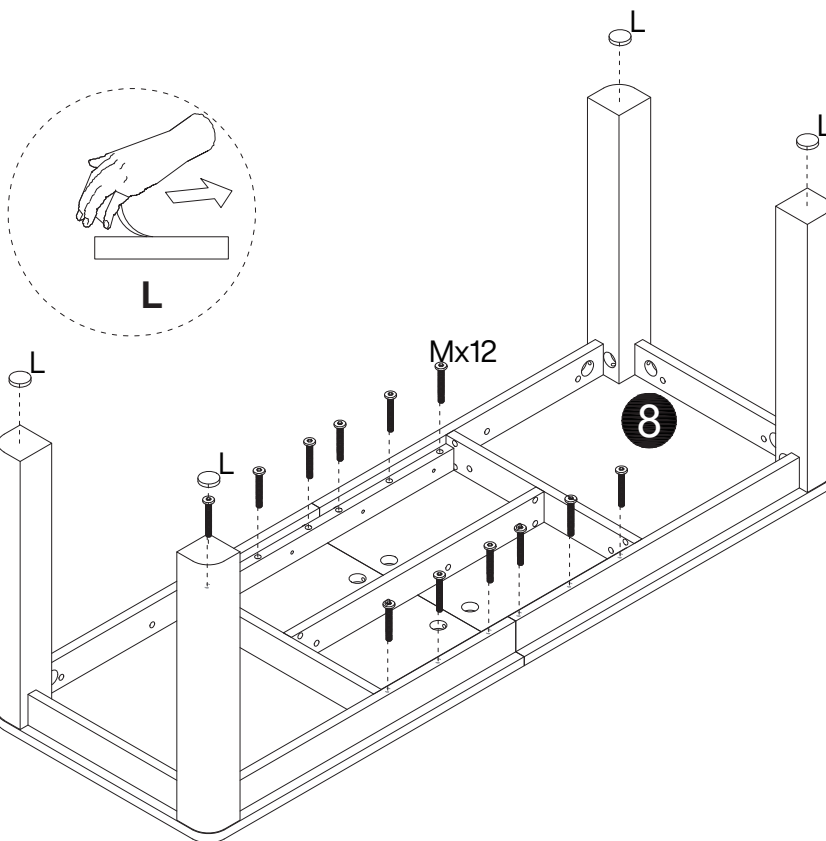
17





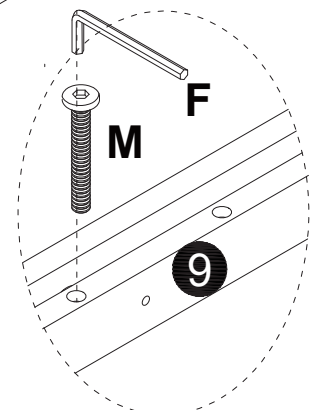
E

M6x40mm 8 pcs



18



L	M
	
M30x5mm 4 pcs	M6x65mm 12 pcs



Thank you for your support!

