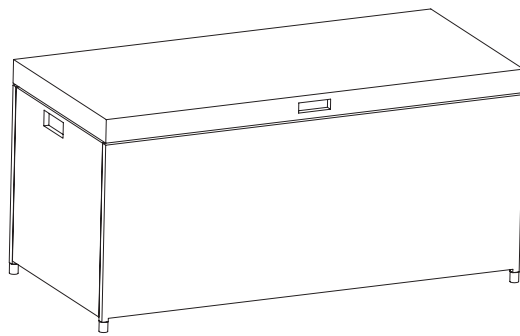
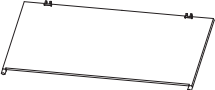
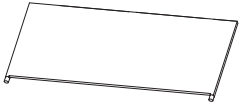
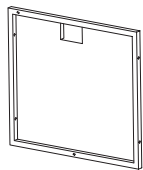
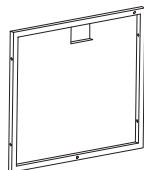




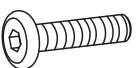
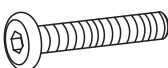
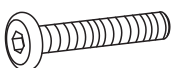
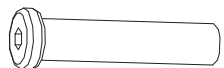

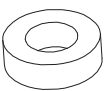
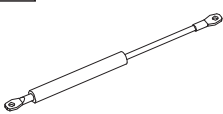

Outdoor Storage Bin



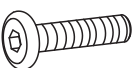
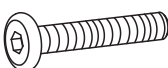
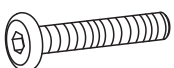
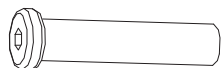

PART LIST

				
<p>Back Panel 1 PC</p>	<p>Front Panel 1 PC</p>	<p>Right Panel 1 PC</p>	<p>Left Panel 1 PC</p>	<p>Bottom Panel 1 PC</p>
				
<p>Top panel 1 PC</p>				

HARDWARE LIST

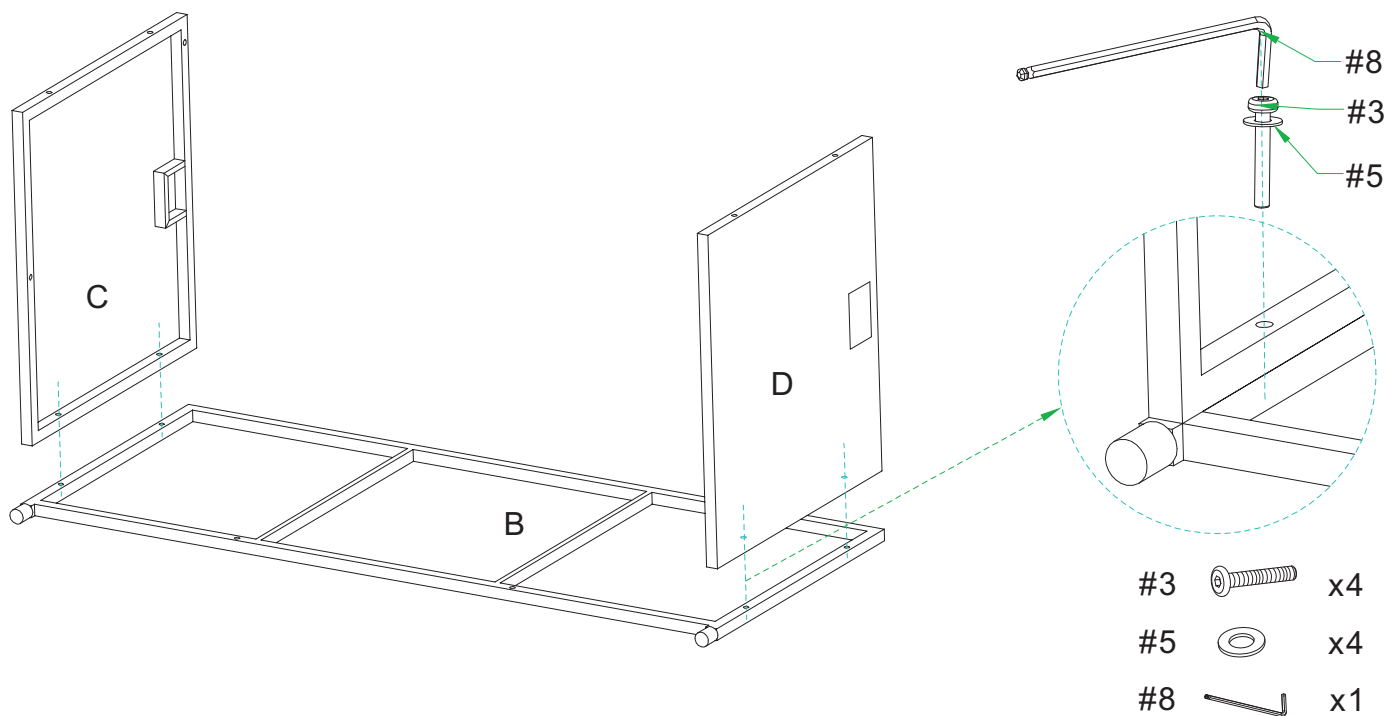
 <p>M6*10mm</p>	 <p>M6*20mm</p>	 <p>M6*40mm</p>	 <p>M6*40mm</p>	 <p>M6mm</p>
<p>Short Bolt 2 PCS</p>	<p>Medium Bolt 4 PCS</p>	<p>Long Bolt 14 PCS</p>	<p>Inner Thread Bolt 2 PCS</p>	<p>Flat Washer 18 PCS</p>
 <p>M6mm</p>		 <p>M6mm</p>		
<p>Plastic Washer 4 PCS</p>	<p>Hinge Support 2 PCS</p>	<p>Allen Key 2 PCS</p>		

EXTRA HARDWARE LIST

 <p>M6*10mm</p>	 <p>M6*20mm</p>	 <p>M6*40mm</p>	 <p>M6*40mm</p>	 <p>M6mm</p>
<p>Short Bolt 1 PC</p>	<p>Medium Bolt 1 PC</p>	<p>Long Bolt 1 PC</p>	<p>Inner Thread Bolt 1 PC</p>	<p>Flat Washer 1 PC</p>

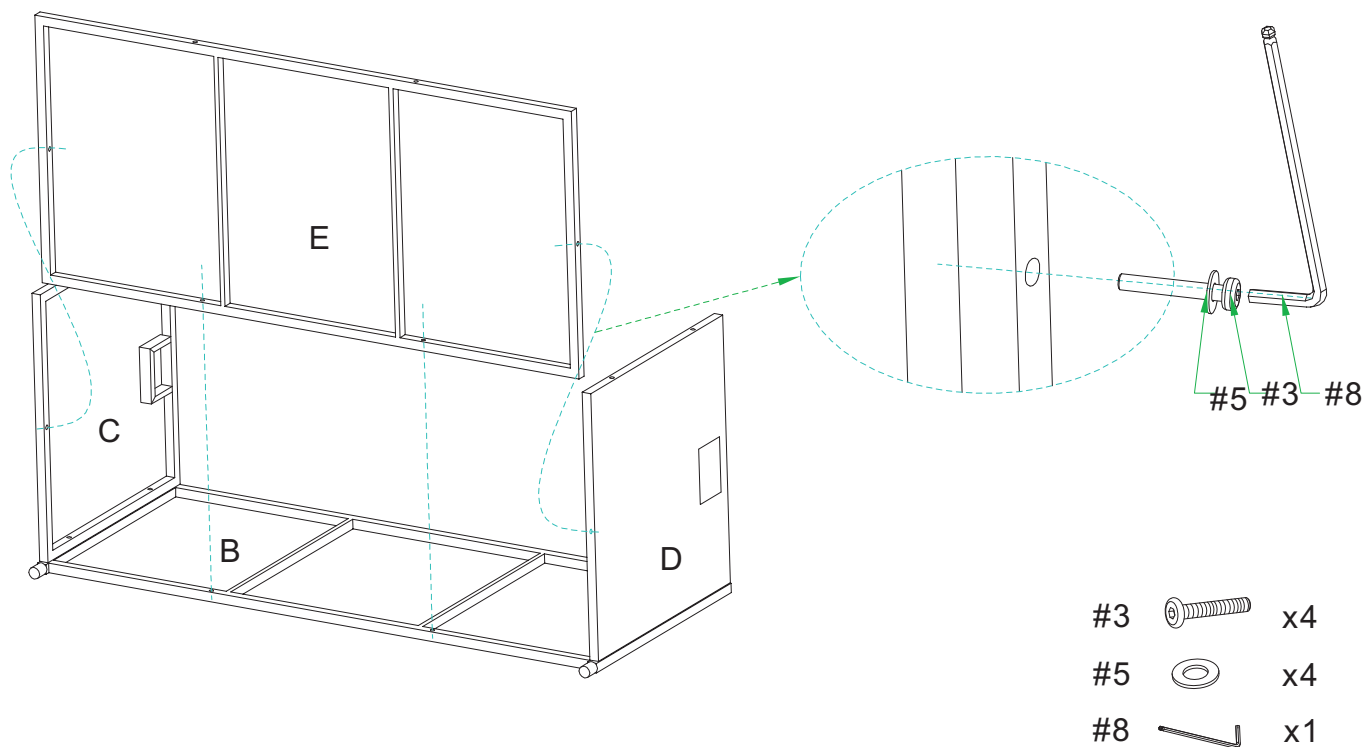
Step1. Lay front panel (part B) down on a soft flat surface, such as carpet as shown below. Attach left panel (part D) and right panel (part C) to front panel (part B) using long bolts (part #3), flat washers (part #5) and allen key (part #8).

NOTE: Please do not fully tighten bolts until unit is fully assembled.



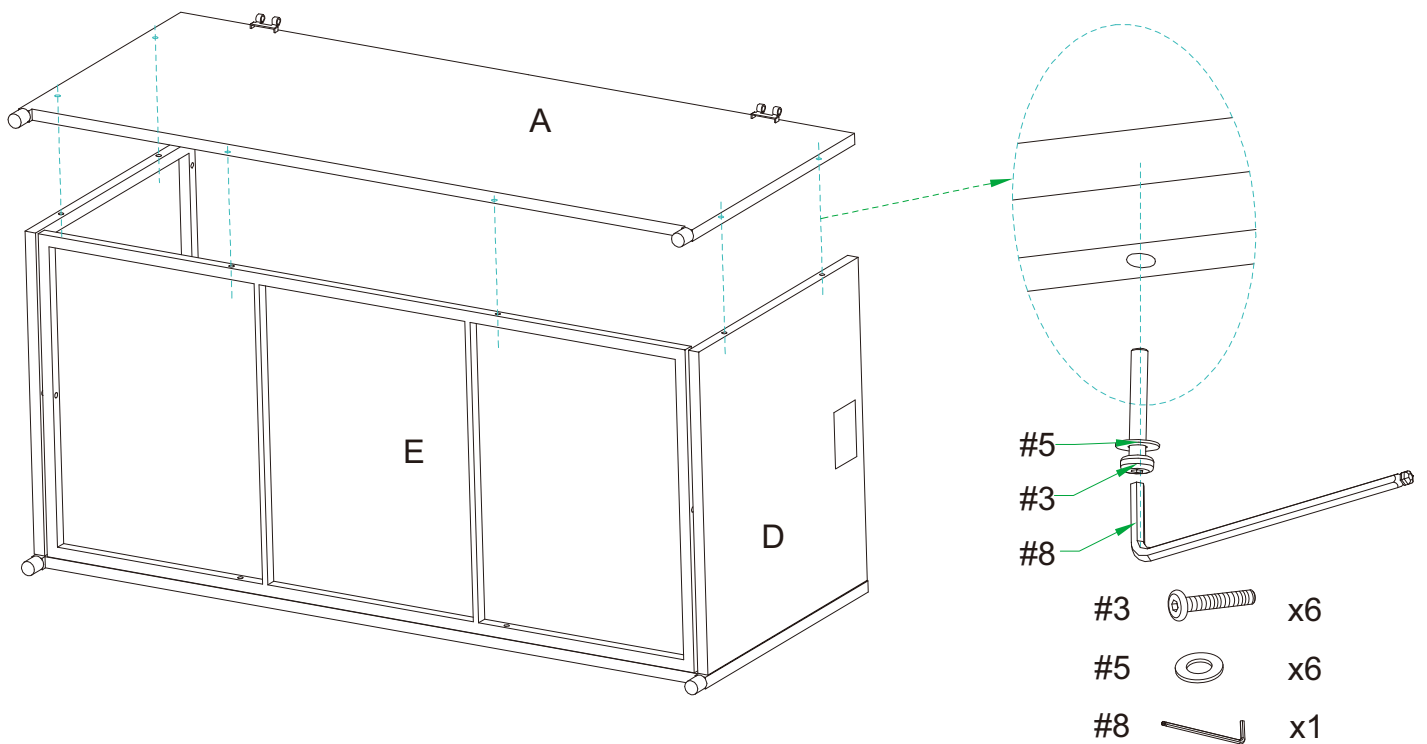
Step2. Attach bottom panel (part E) to left panel (part D), right panel (part C) and front panel (part B) using long bolts (part #3), flat washers (part #5) and allen key (part #8).

NOTE: Please do not fully tighten bolts until unit is fully assembled.



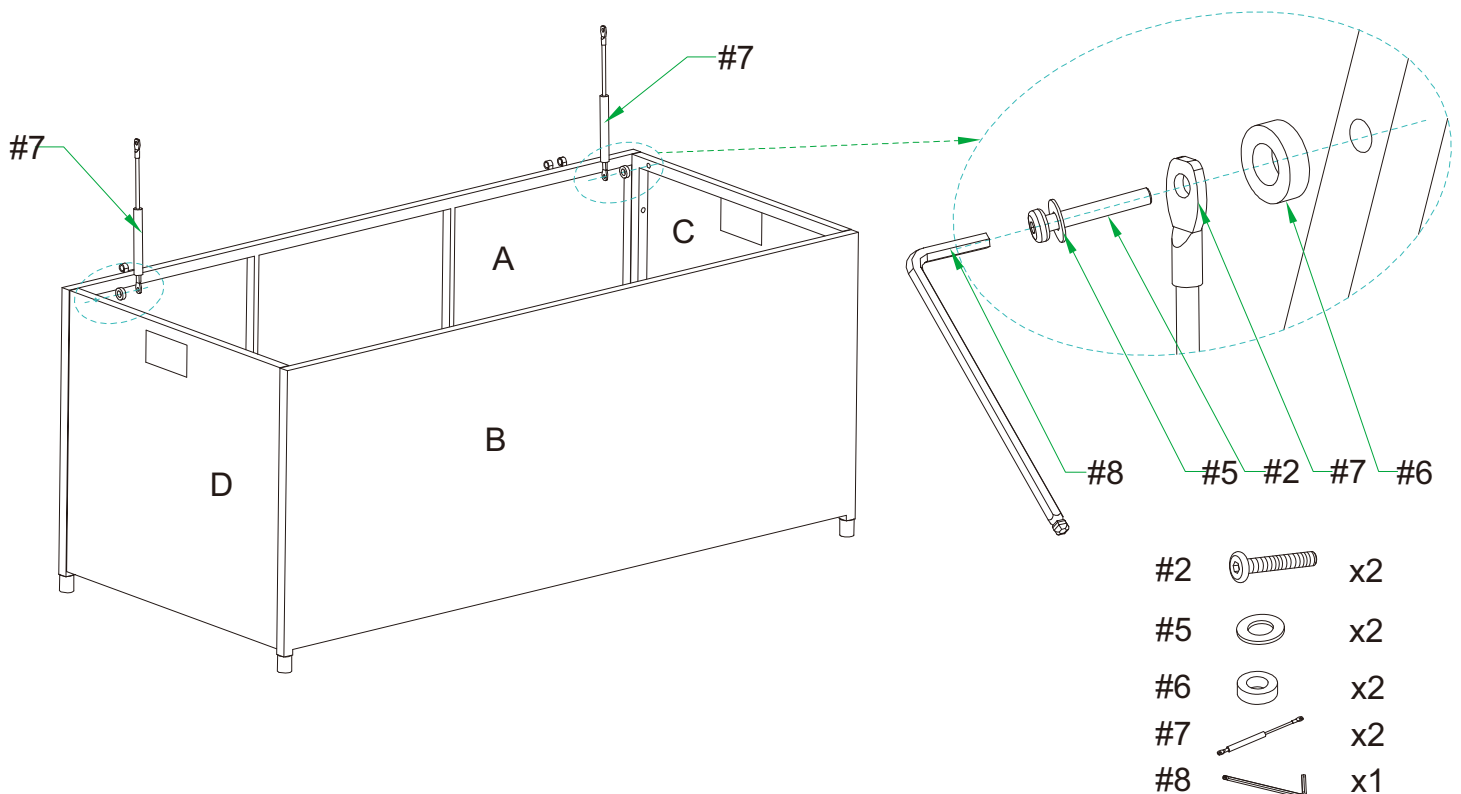
Step 3. Attach back panel (part A) to right panel (part C), left panel (part D) and bottom panel (part E) using long bolts (part #3), flat washers (part #5) and allen key (part #8).

NOTE: Please do not fully tighten bolts until unit is fully assembled.

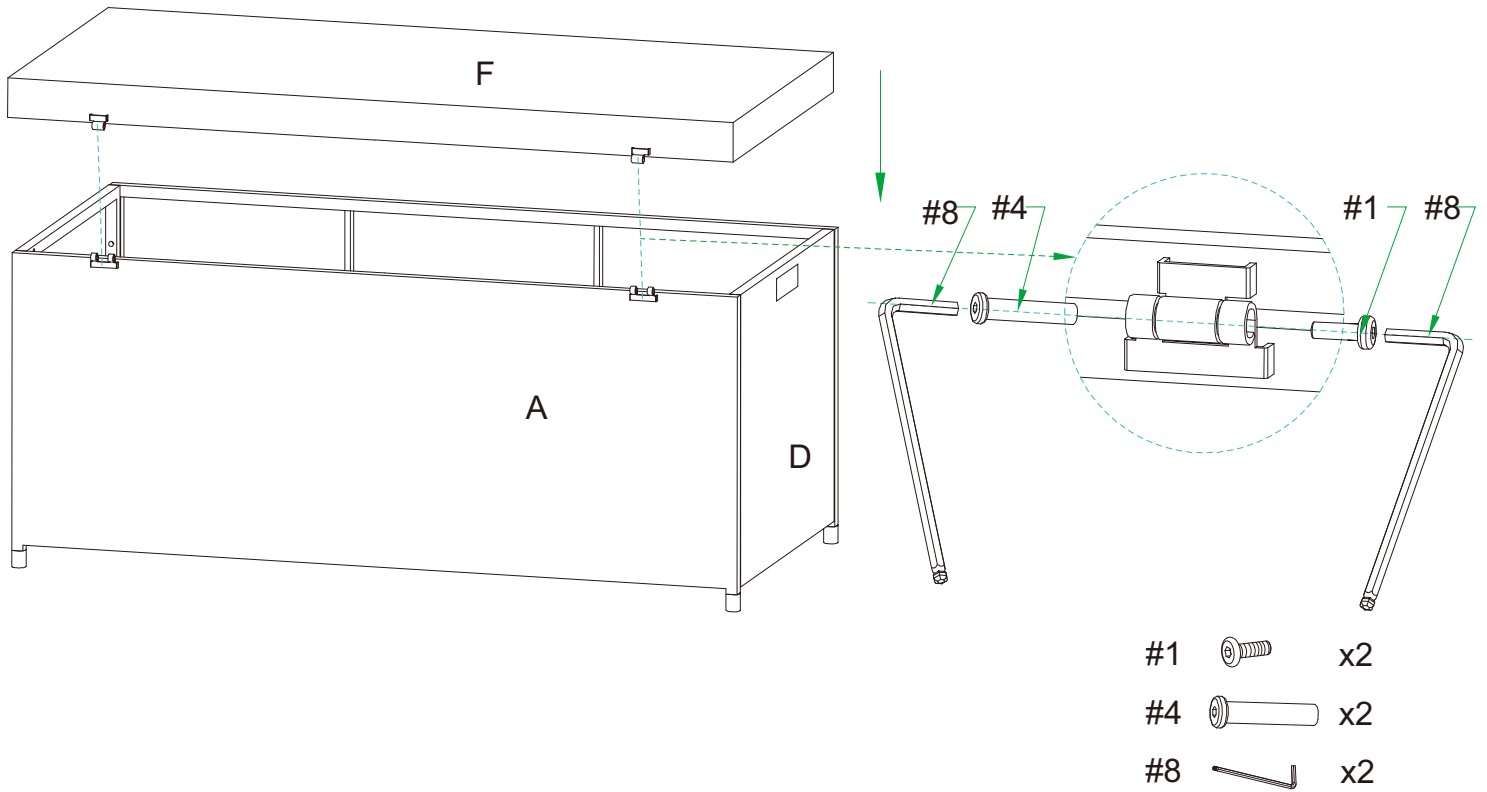


Step 4. Carefully turn assembled box over as shown below. Attach hinge supports (part #7) to left panel (part D) and right panel (part C) using medium bolts (part #2) flat washers (part #5), plastic washers (part #6) and allen key (part #8).

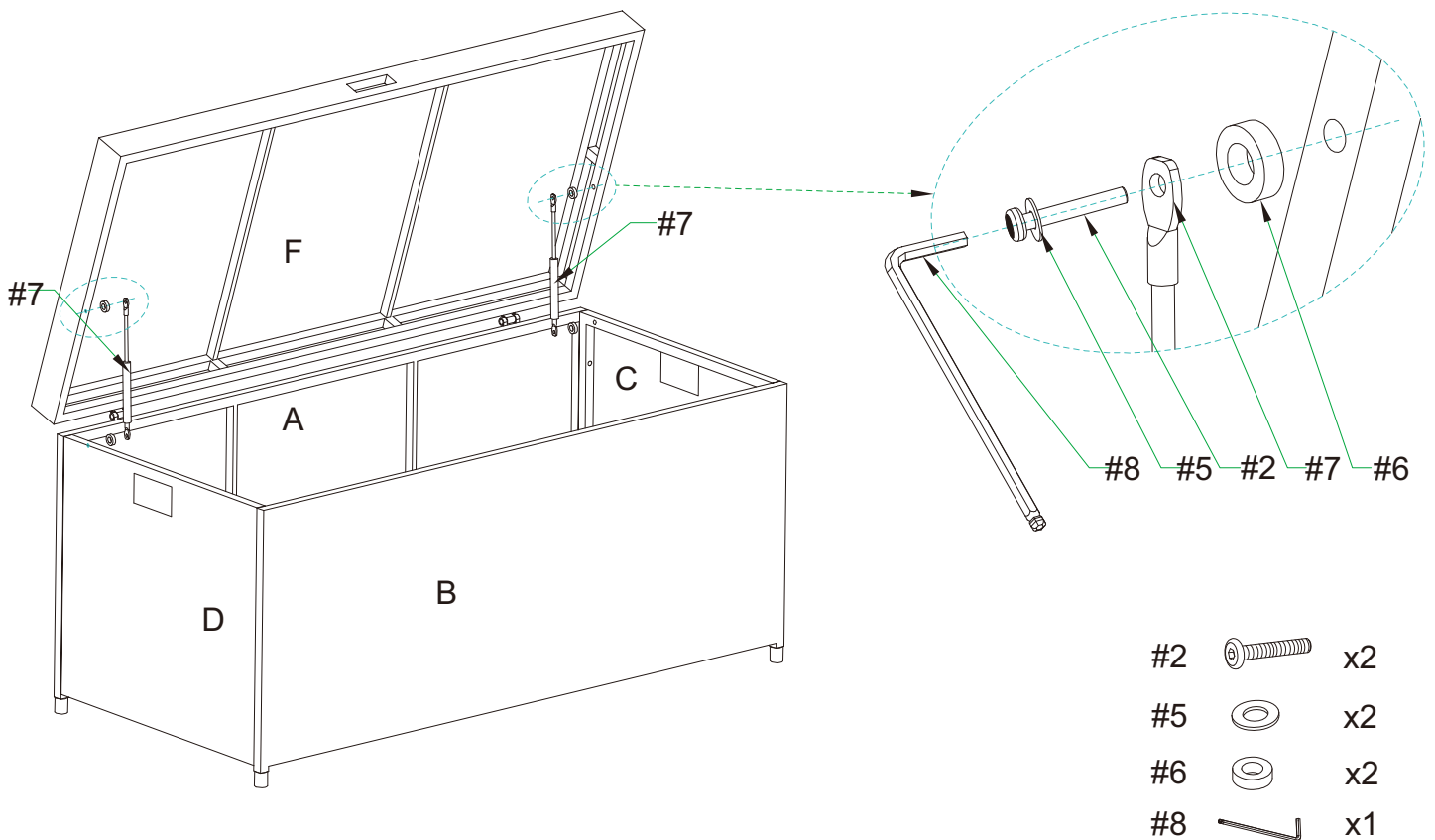
NOTE: Please do not fully tighten bolts until unit is fully assembled.



Step 5. Attach top panel (part #F) to back panel (part #A) using Inner thread bolts (part #4), short bolts (part #1) and both allen keys as shown below (part #8).



Step 6. Open top panel (part F) and then attach hinge supports (part #7) to top panel (part F) using medium bolts (part #2), flat washers (part #5), plastic washers (part #6) and allen key (part #8).



Step 7. Please fully tighten all bolts at this time.

