

# CRYSTORAMA

LIGHTING THE WAY FOR SIXTY YEARS



Crystorama.com

## ASSEMBLY INSTRUCTION MODEL #AME-405-AG

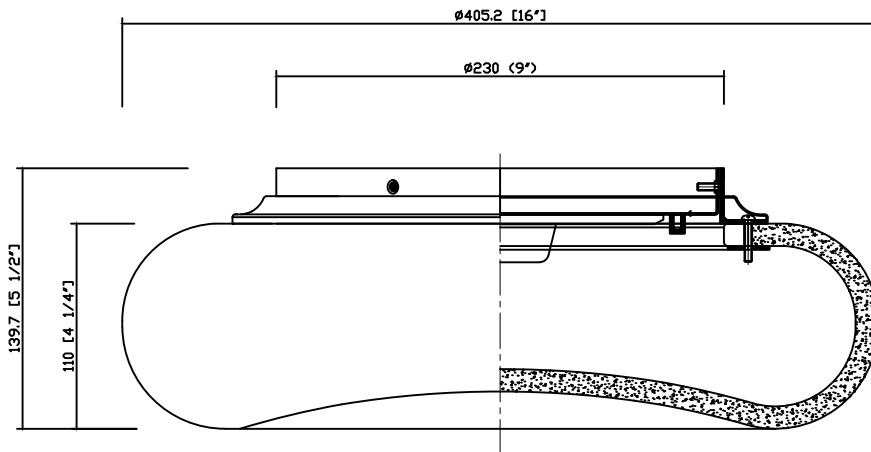


All electrical components must be installed by a licensed electrician in accordance with the National Electric Code and the appropriate local electrical codes.



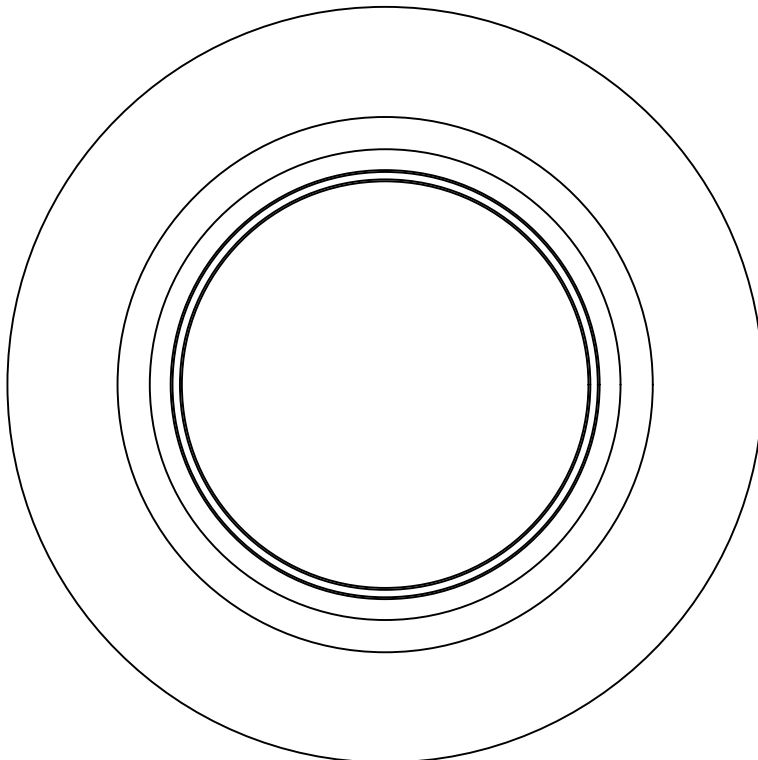
You will need 1 -18 Watts LED Module Bulb included

**THIS FIXTURE IS Damp RATED**



### How to Install

1. Remove the ceiling pan from the frame by loosening the screws. Remove the mounting plate from the pan by loosening the finials
2. Place the mounting plate over the outlet box and mark three points on the ceiling at the same distance as between the holes on the mounting plate.
3. Drill the holes at the marked points and insert the wall anchors into the hole. Place the mounting plate over the outlet box and secure it with anchor screws.
4. Install the ceiling pan onto the mounting plate using the finials.
5. Place the banding ring over the top of the alabaster shade and raise it up to the ceiling by aligning the holes on the frame with the holes on the ceiling pan. Secure with the screws.



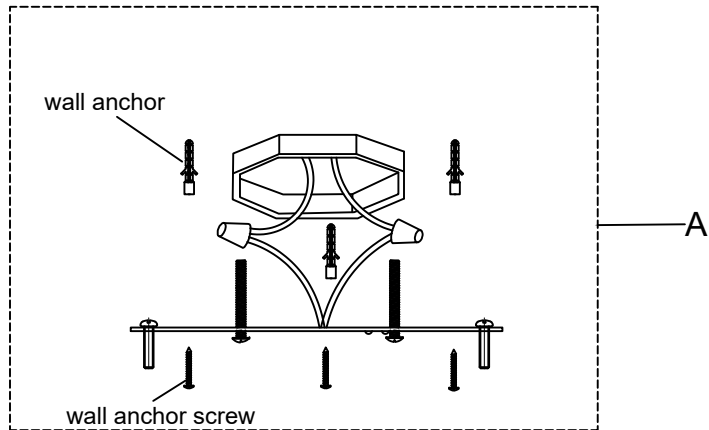
**WARNING:** This product can expose you to Lead, which is known to the State of California to cause cancer and/or birth defects or reproductive harm. For more information go to [www.P65Warnings.ca.gov](http://www.P65Warnings.ca.gov)

# CRYSTORAMA



LIGHTING THE WAY FOR SIXTY YEARS

## ASSEMBLY INSTRUCTION MODEL #AME-405-AG



## Part Number

### Part Numbers

- A. (1)-Mounting hardware
- B. (1)-Ceiling pan  
(XAR405AGCAN9IN)
- C. (3)-finials
- D. (1)-LED module  
(XAR405AGCHA18W)
- E. (3)-Screws
- F. (1)-banding ring
- G. (1)-Alabaster shade  
(XAR405STONE16IN)

