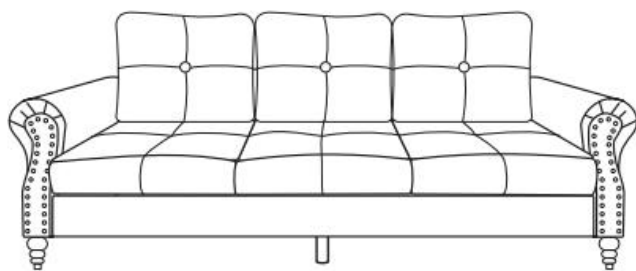





**Thank you for purchasing our SOFA**

Before you start, here are some helpful advice:

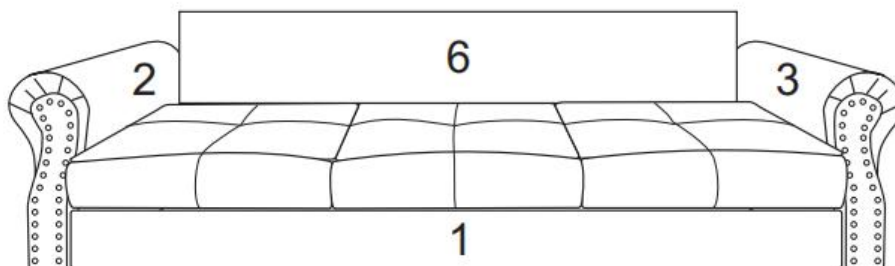
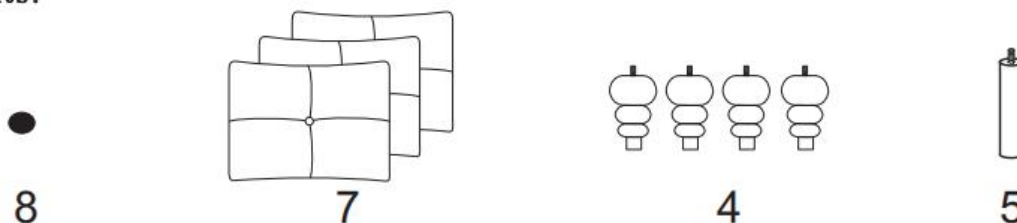
1. We suggest you spend a short time reading through this leaflet and then assemble the sofa follow the simple instructions step by step.
2. Owing to the size and the weight of the sofa,we recommend that it is assembled by two adults on a carpeted or padded area inside the house.Approximate assembly time:20 minutes.
3. Please do not use any tools other than those provided or recommended in these instructions.
4. Please do not throw away any of the packaging or the instruction until you have checked all the components and hardware and the furniture is fully assembled. Please ensure that the packaging is disposed of in a safe and environmentally friendly way.
5. Assemble all components loosely first,then according to the use situation to tighten the components as needed.So please save all the tools that have been provided.
6. Please keep all pieces away from children.
7. If you have any questions about the product: please send an email to our dedicated customer service email, and we will reply to your questions within 12 hours.



**Hardware:**

- |    |   |                 |    |
|----|---|-----------------|----|
| A. |   | Bolt M6x50mm    | x2 |
| B. |  | Flat Washer M6  | x2 |
| C. |  | Allen Wrench M4 | x1 |

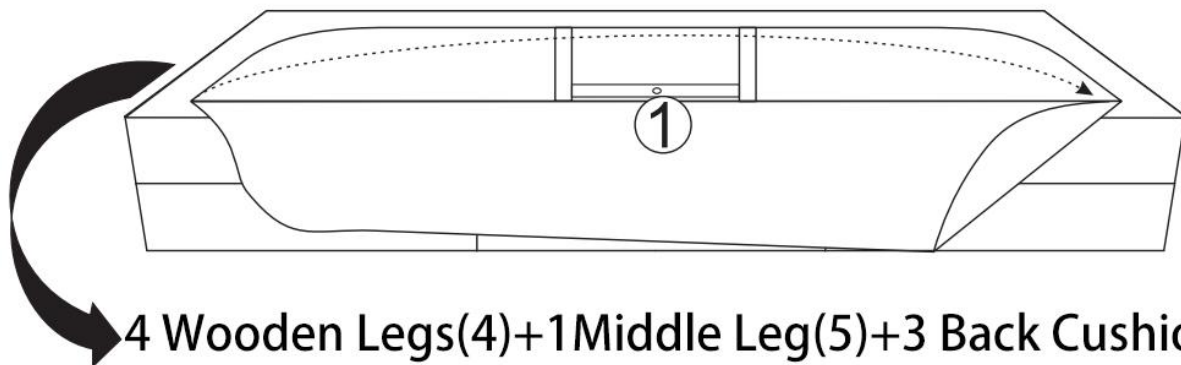
**Components:**



- |             |    |                |    |             |    |              |    |              |    |
|-------------|----|----------------|----|-------------|----|--------------|----|--------------|----|
| 1.Sofa Seat | x1 | 2.Left Arm     | x1 | 3.Right Arm | x1 | 4.Wooden Leg | x4 | 5.Middle Leg | x1 |
| 6.Sofa Back | x1 | 7.Back Cushion | x3 | 8.Felt Pad  | x5 |              |    |              |    |

**STEP 1:**

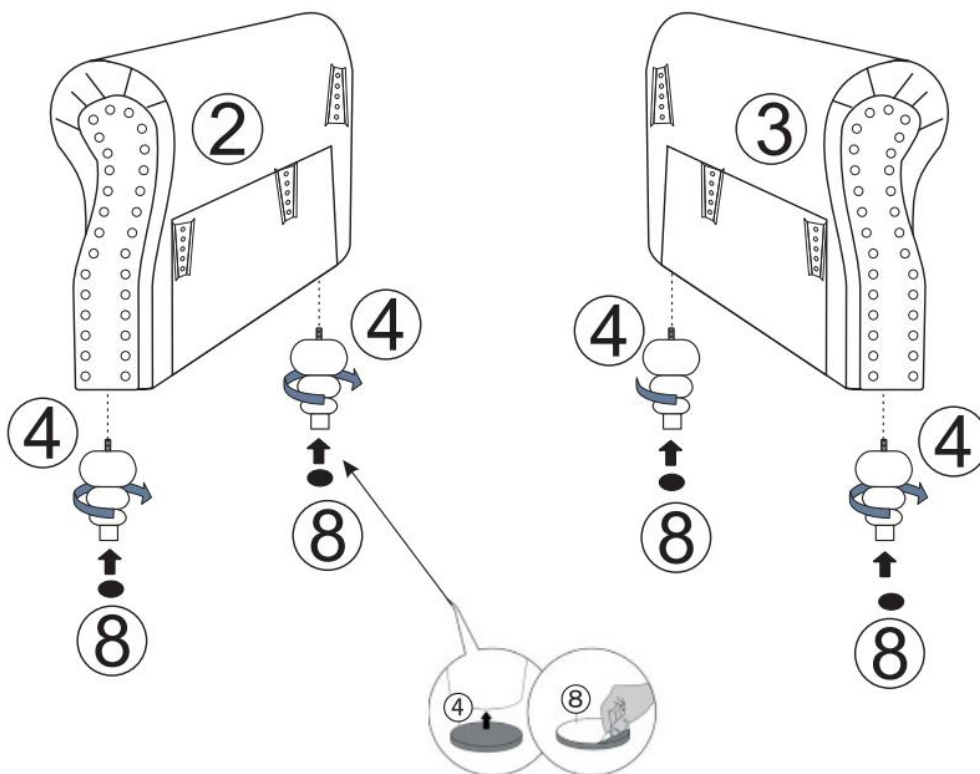
1. Please put **Sofa Seat (1)** upside down on a carpeted or padded surface.
2. Pull out the Zipper on the bottom of the **Sofa Seat (1)** from left to right and then take out 4 pieces of **Wooden Legs(4)**, 1 piece of **Middle Leg(5)**, 3 pieces of **Back Cushions(7)**, 5 piece of **Felt Pad(8)** and **Hardware Package**.



**4 Wooden Legs(4)+1 Middle Leg(5)+3 Back Cushions(7)  
+5 Felt Pad(8)+Hardare Package**

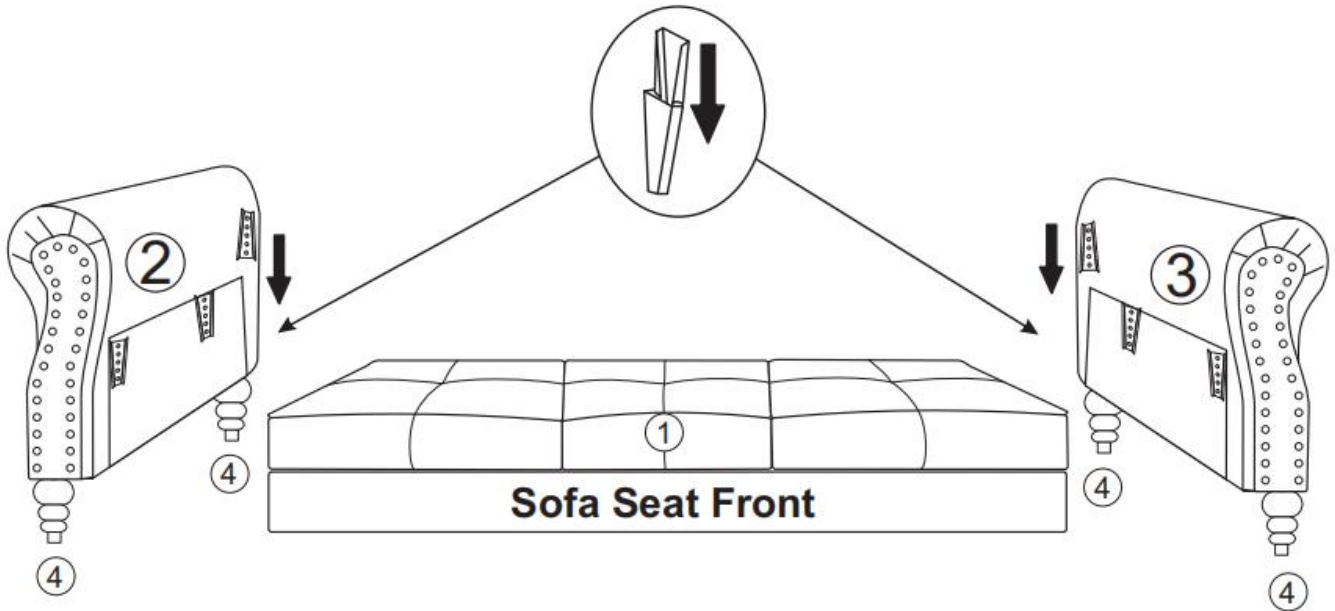
**STEP 2:**

1. Tighten 4 pieces of **Wooden Legs (4)** to the bottom of the **Left Arm(2)** and the **Right Arm(3)** clockwise as shown by hand.
2. Attach 4 pieces of **Felt Pad(8)** to the bottom of **Wooden Legs(4)**.



**STEP 3:**

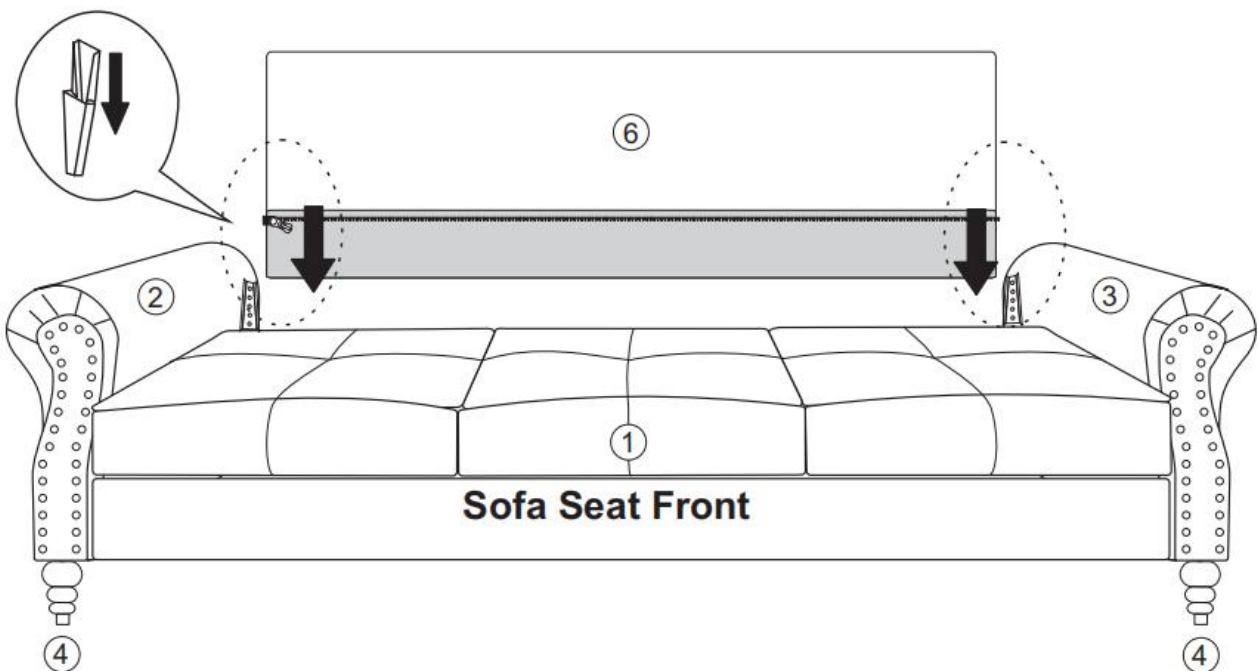
1. Please carefully turn over **Sofa Seat(1)**.
2. Insert **Left Arm(2)** and **Right Arm(3)** to **Sofa Seat(1)** by using the pre-installed Clips on **Sofa Seat(1)**, **Left Arm(2)** and **Right Arm(3)** to lock each other as shown.



---

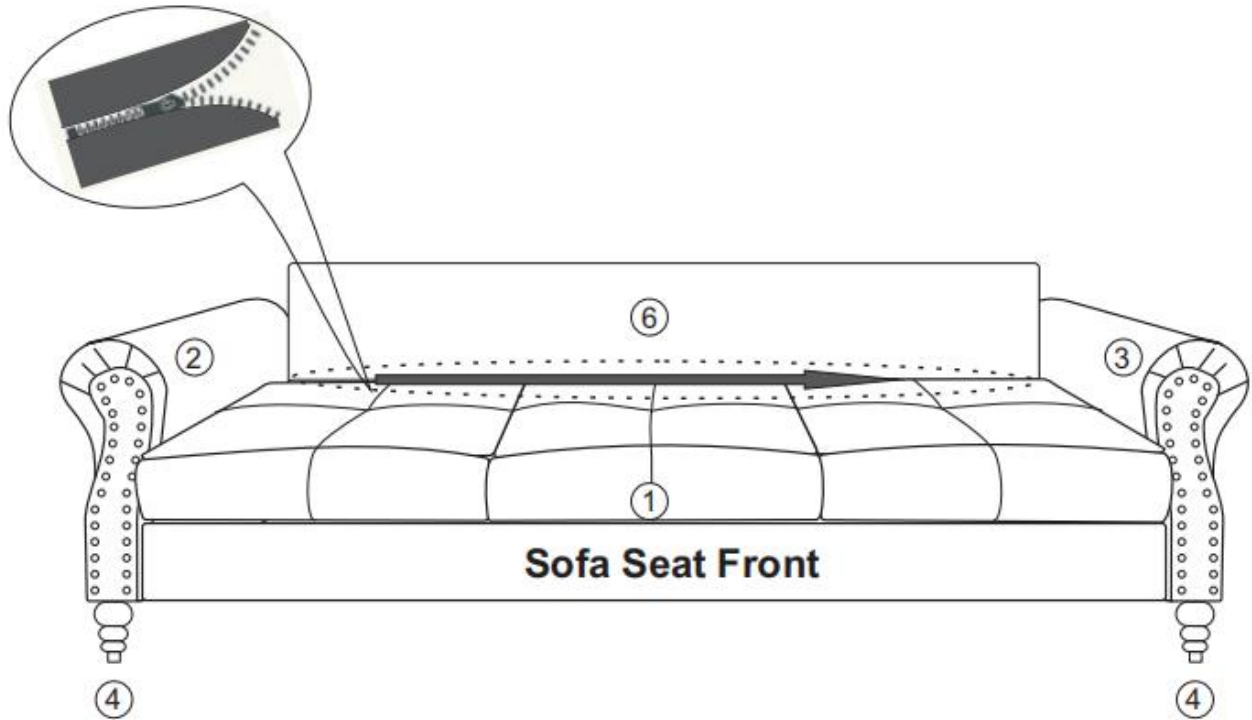
**STEP 4:**

1. Insert **Sofa Back(6)** to **Left Arm(2)** and **Right Arm(3)** by using the pre-installed Clips on **Left Arm(2)**, **Right Arm(3)**, and **Sofa Back(6)** to lock each other as shown.



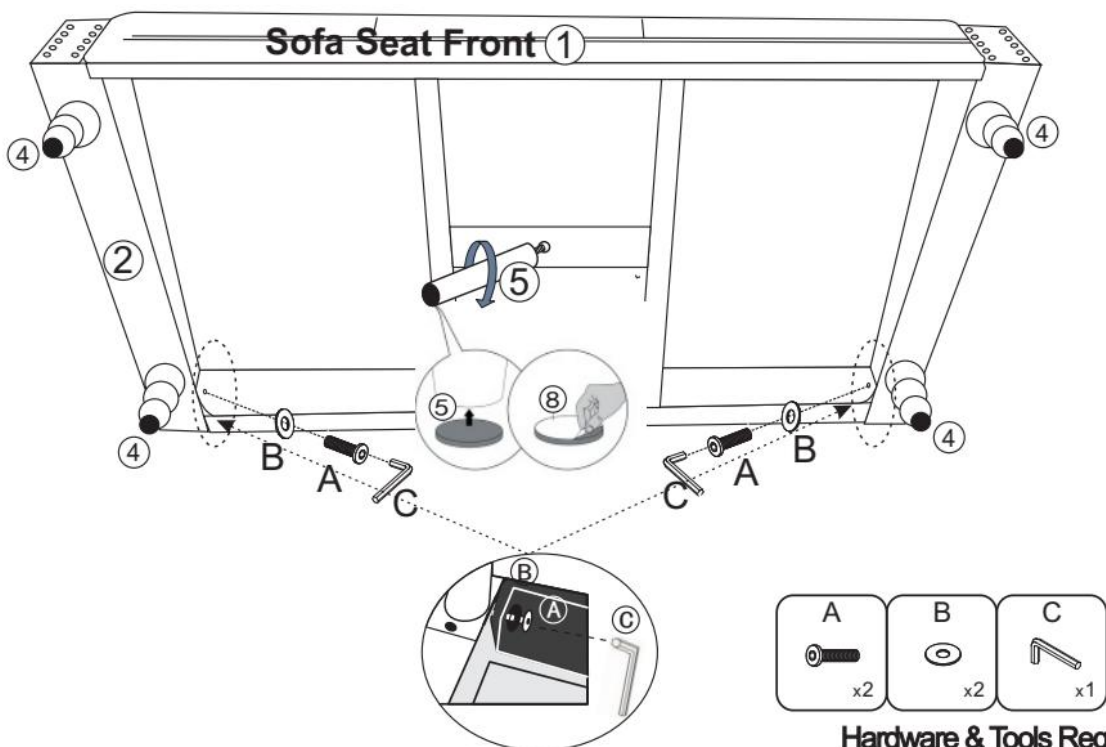
**STEP 5:**

1. Find the Zipper between **Sofa Back(6)** and **Sofa Seat(1)**, then pull the zipper from left to right to seal the zipper as shown in the figure.



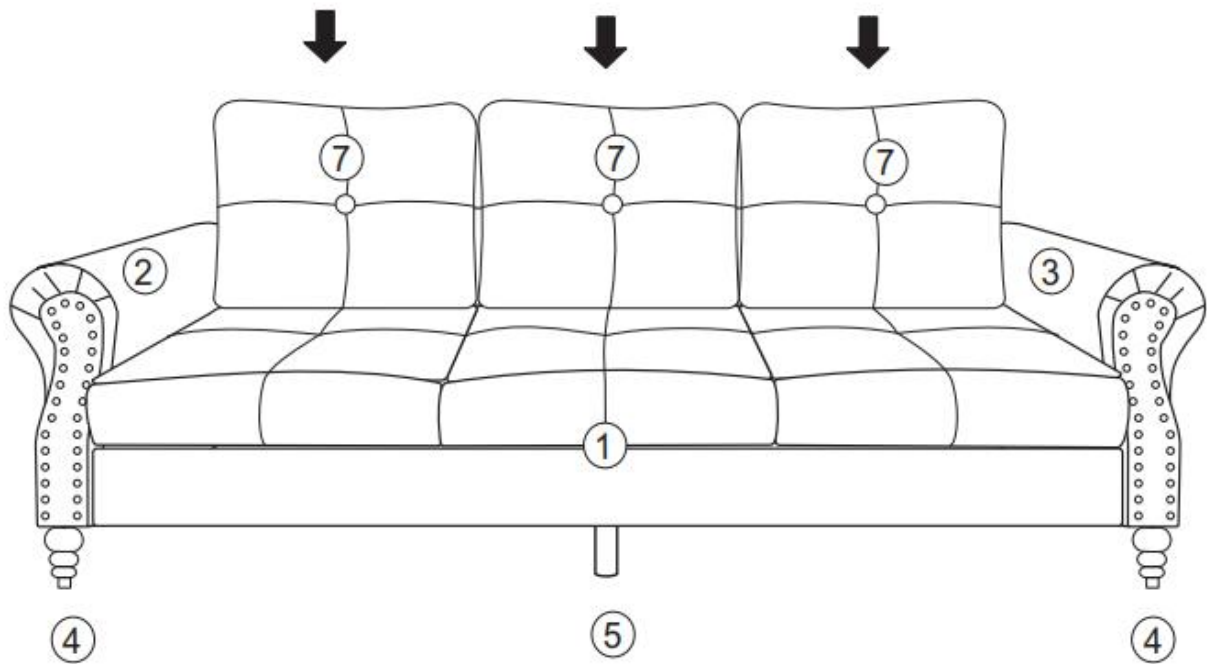
**STEP 6:**

1. Please carefully turn over the sofa as shown on the below figure.
2. Tighten the Sofa Arm and the Sofa Back by using 2 pieces of **Bolts(A)** and 2 pieces of **Flat Washer(B)** as shown with figure and use **Allen Wrench(C)** to tighten all **Bolts(A)**.
3. Tighten **Middle Leg(5)** to the bottom middle of **Sofa Seat(1)**, clockwise as shown by hand, then attach 1 piece of **Felt Pad(8)** to the bottom of the **Middle Leg(5)**.



**STEP 7:**

1. Carefully put 3 pieces of **Back Cushion(7)** to the assembled **Sofa Seat(1)** as shown in the figure.



---

Thank you for the assembly. The assembly is complete. Your sofa is ready to enjoy now.

