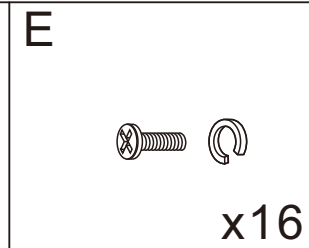
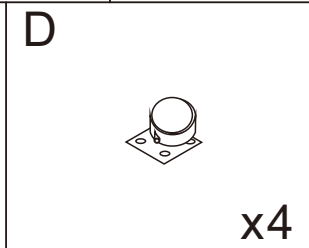
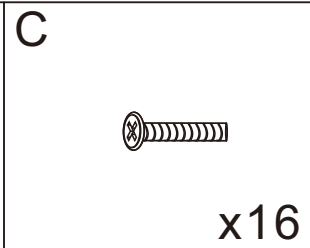
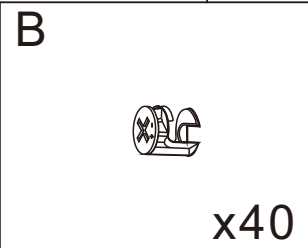
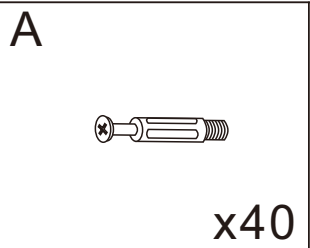
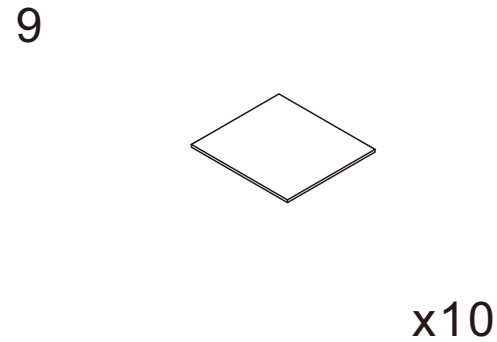
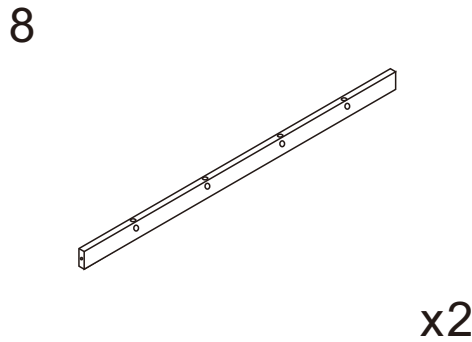
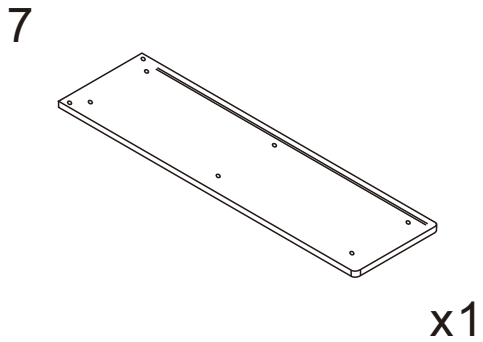
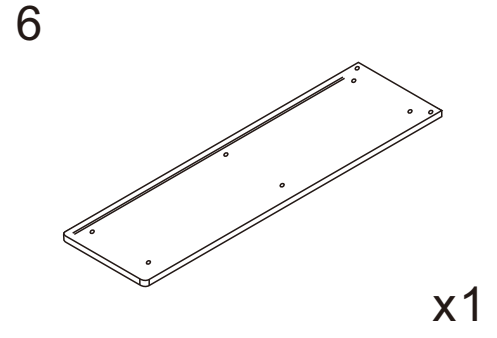
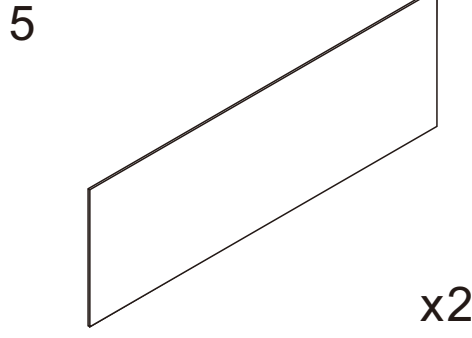
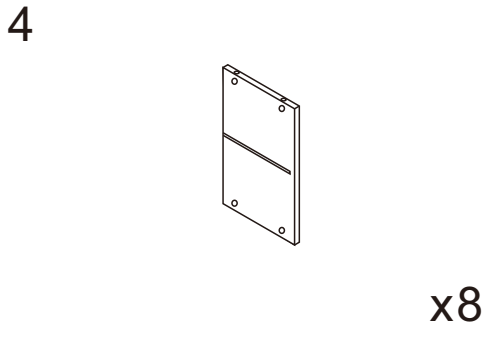
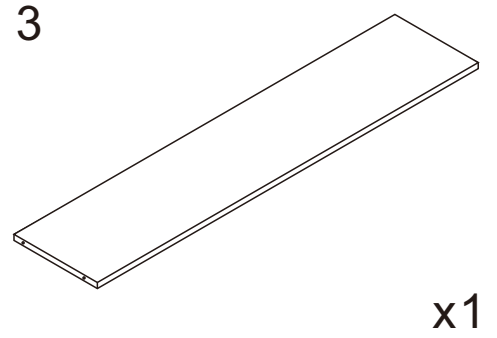
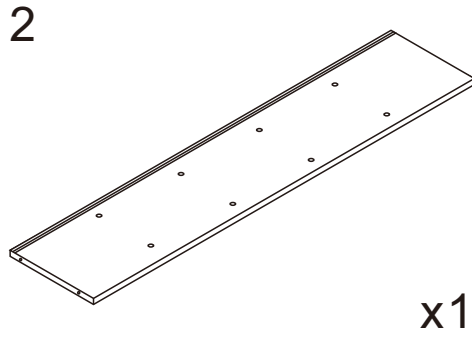
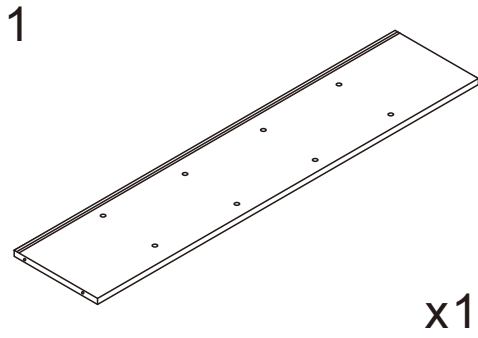
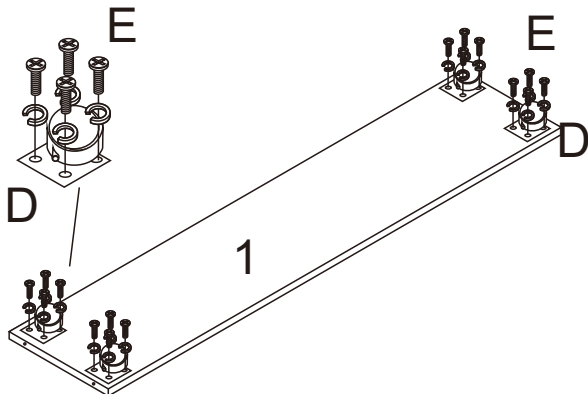


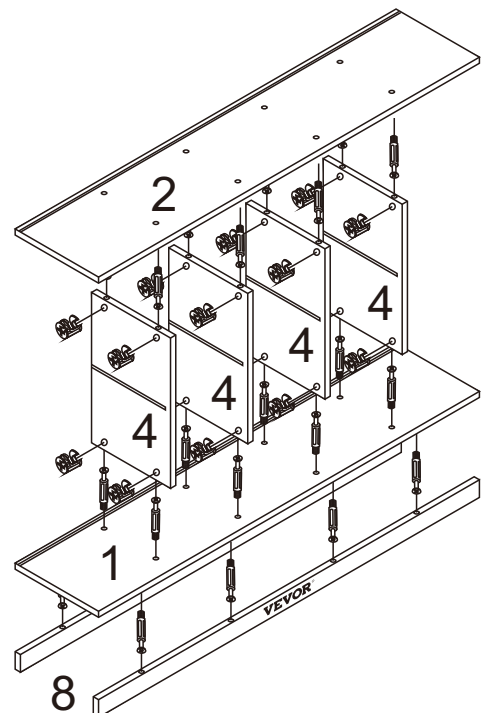
Assembly Instructions



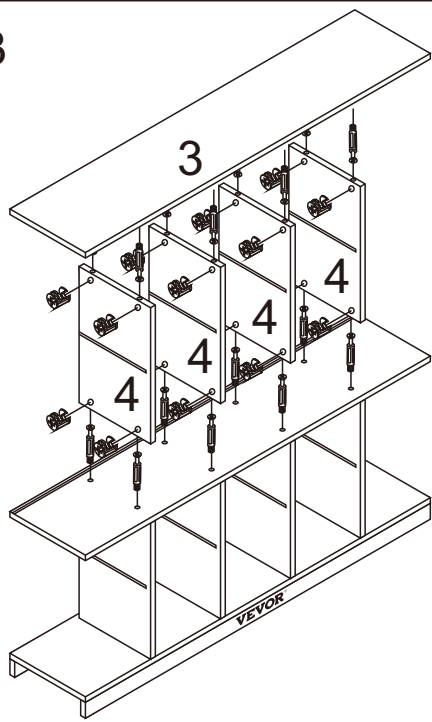
step 1



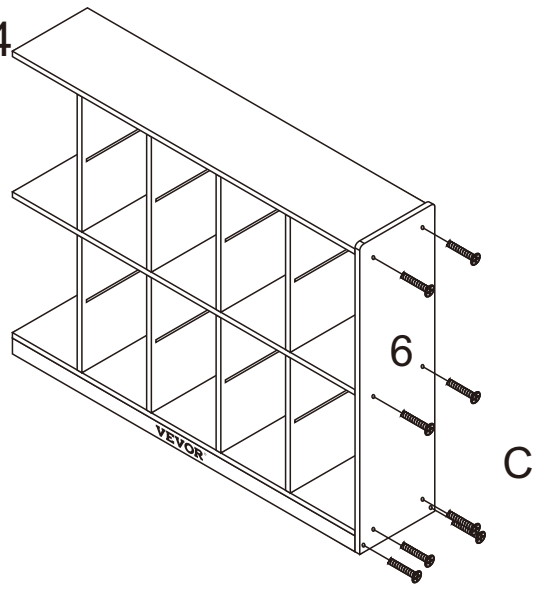
step 2



step 3

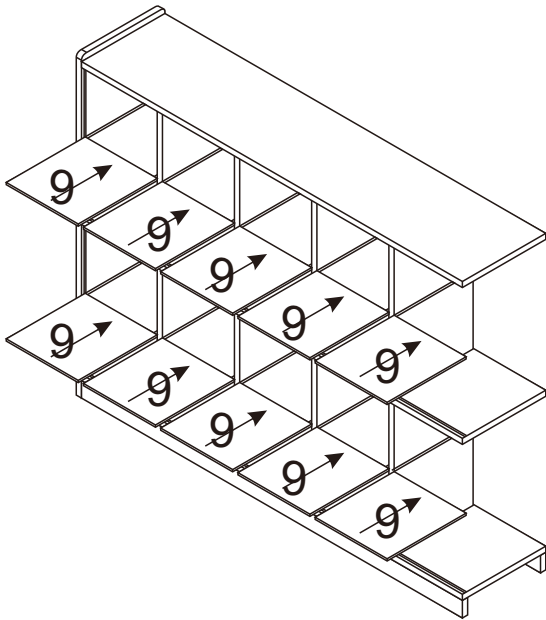


step 4

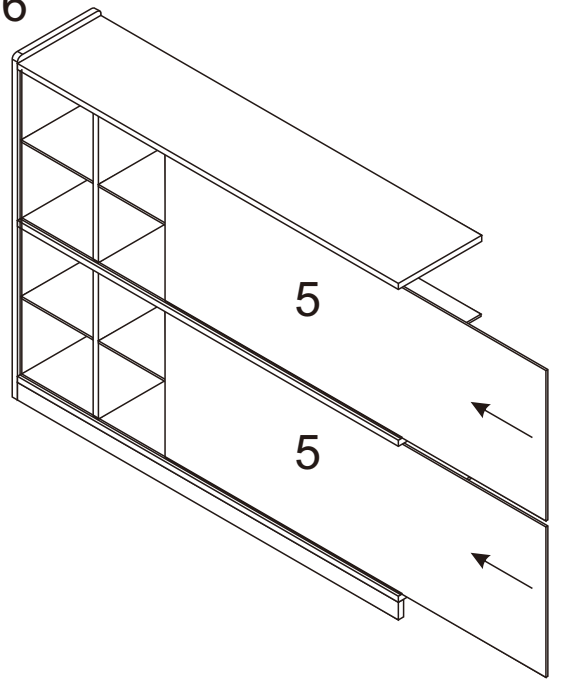


After screwing the side screws up, do not screw to the end, install the back plate and then tighten the side screws to secure

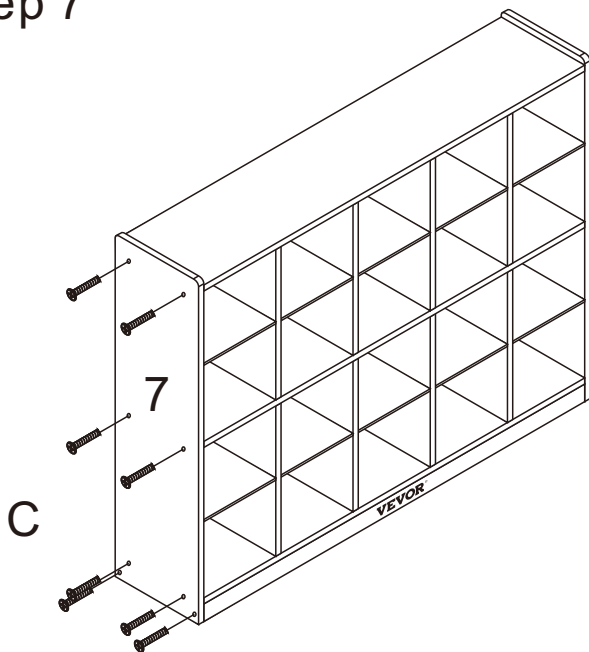
step 5



step 6



step 7



step 8

