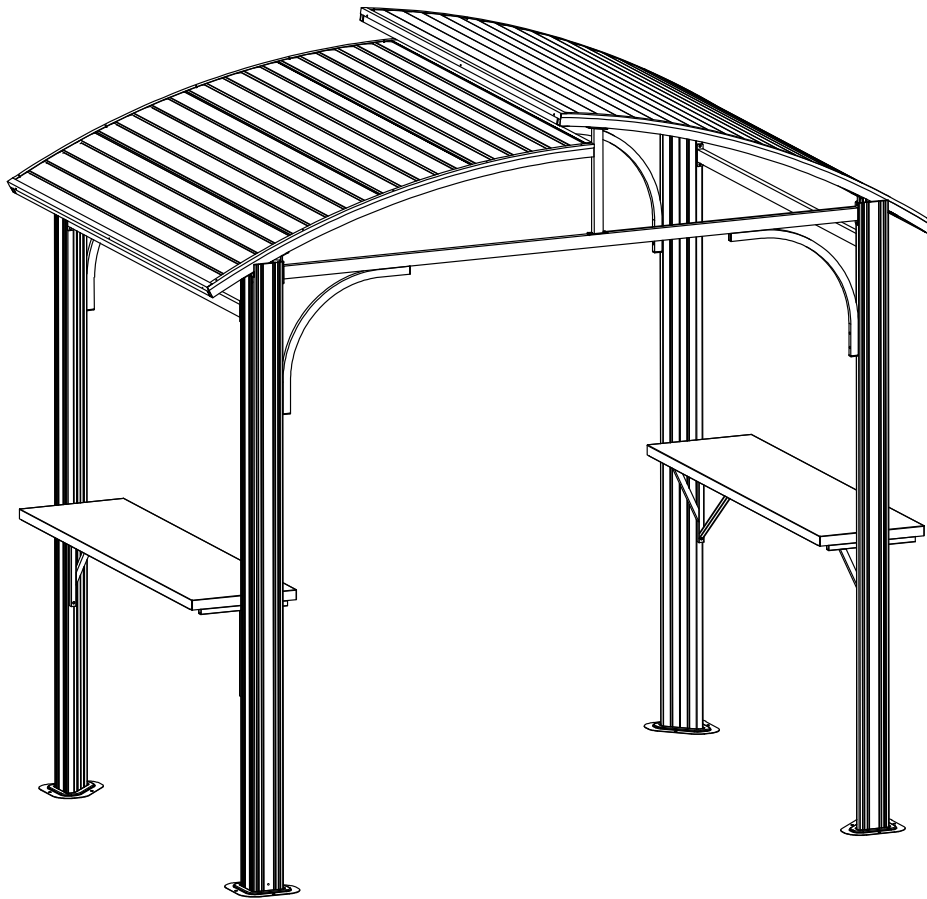




8' x 5' Metal Grill Gazebo

ASSEMBLY MANUAL

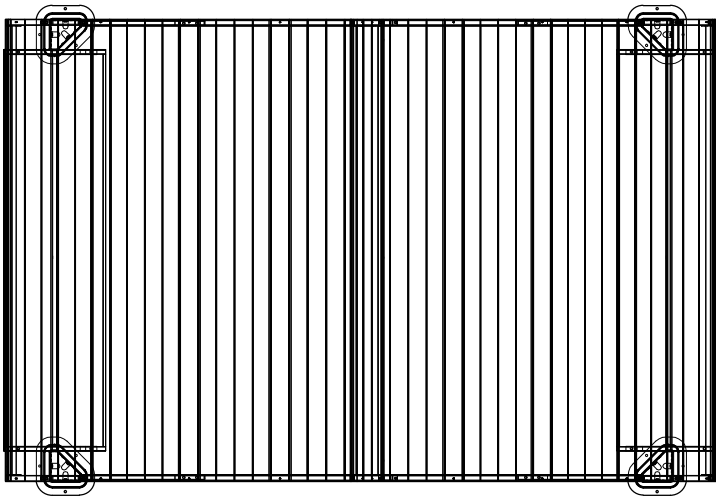
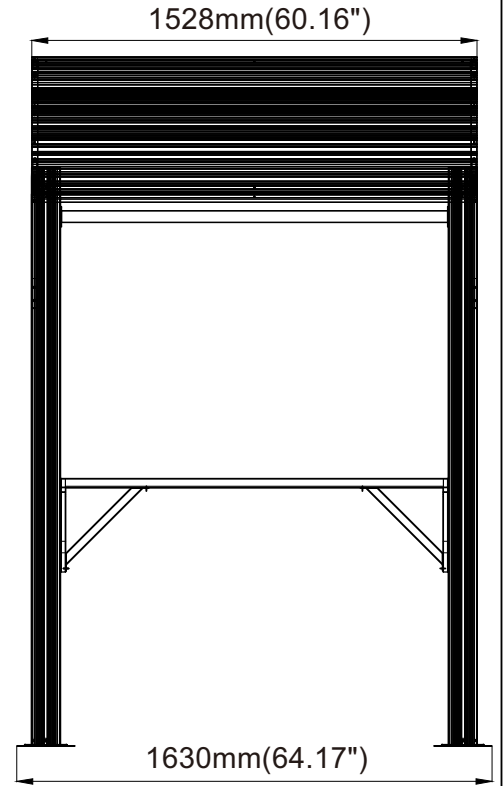
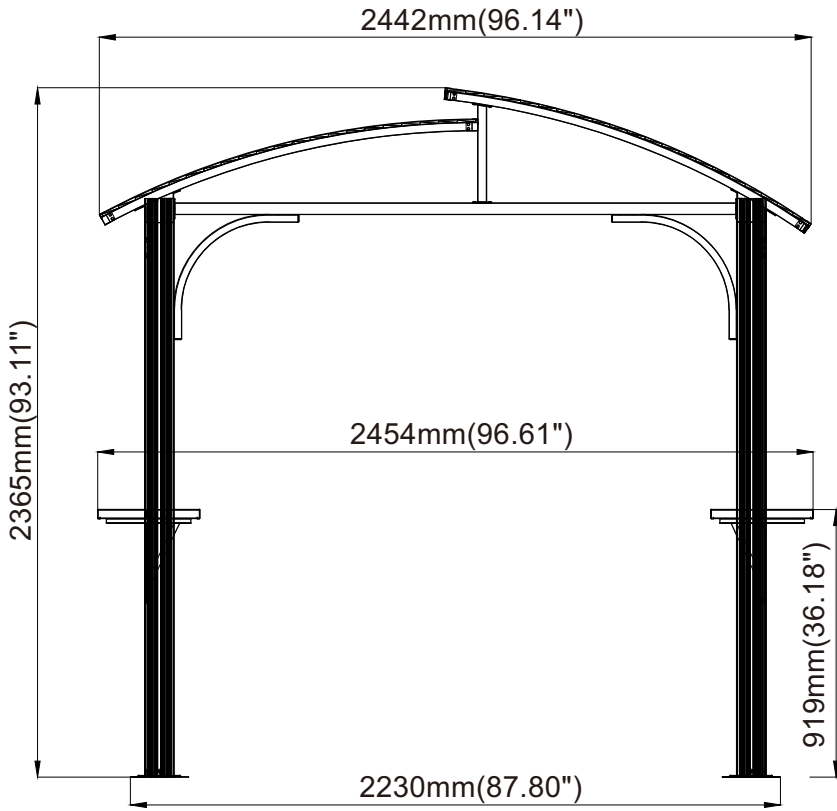


MODEL#:LGMF 1653

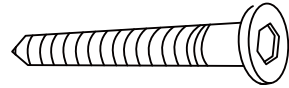
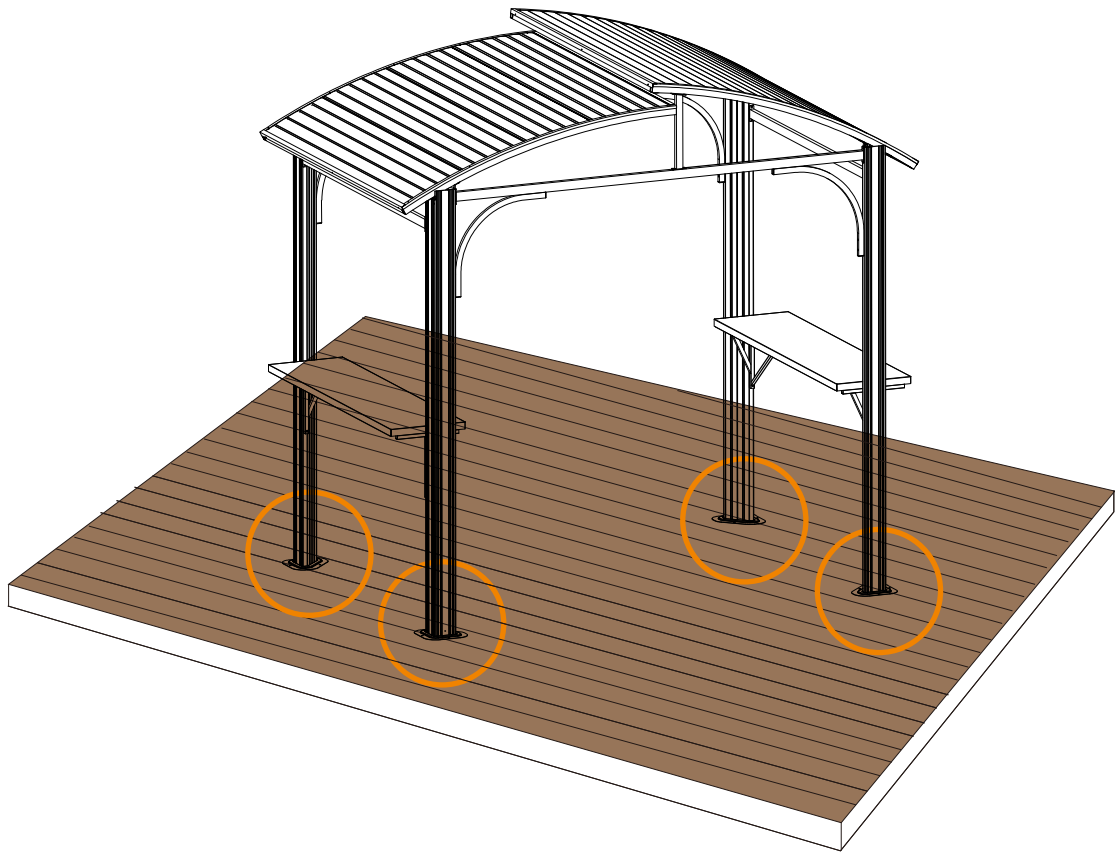
Missing part? Damaged? Contact us via email at

service@domioutdoorliving.com

www.domioutdoorliving.com

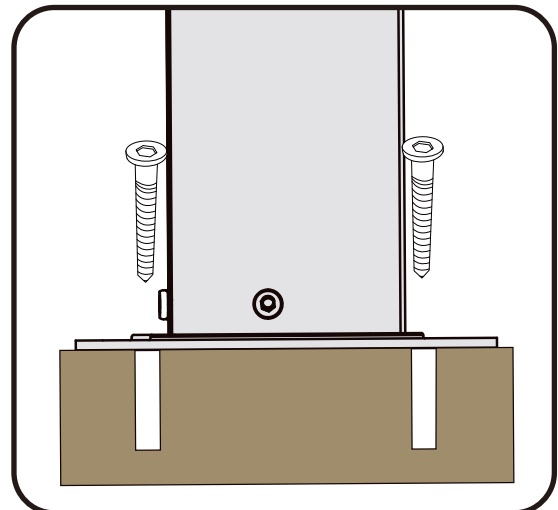
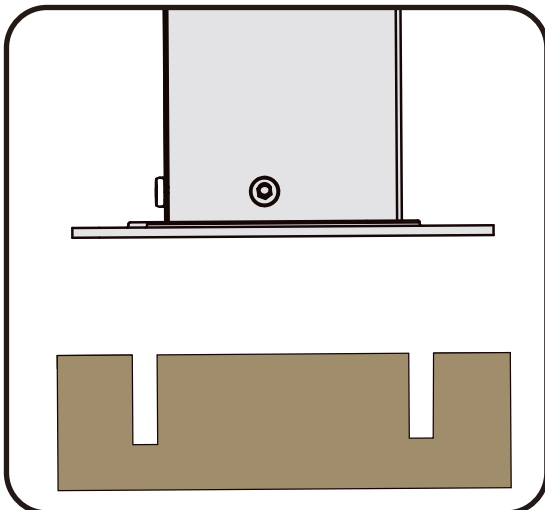


1

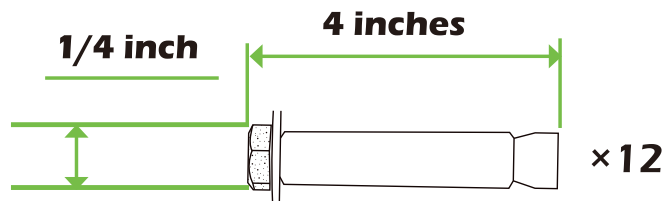
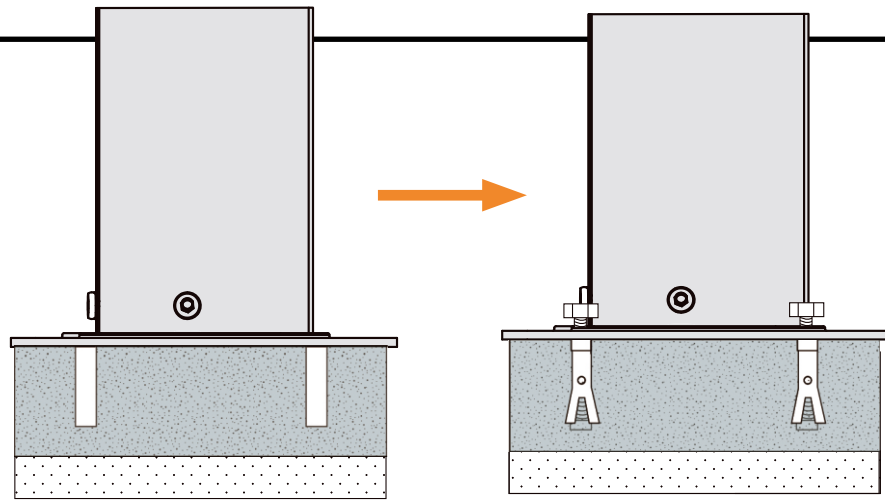


×12

If the deck is hard wood and the depth of it is over 3 inch, you can use **5/16 in. ×4 in. Structural Wood Screw** to mount the gazebo.

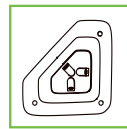
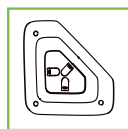
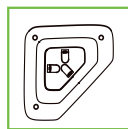


2



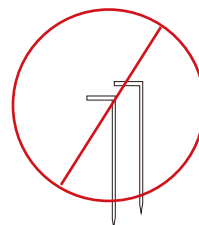
If the ground is concreted and the depth of it is over 3 inch, you can use 1/4 inch expansion bolts to mount the gazebo

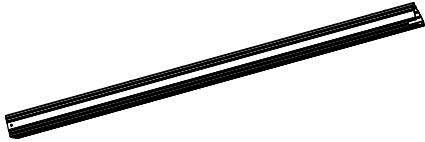
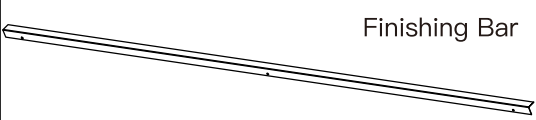
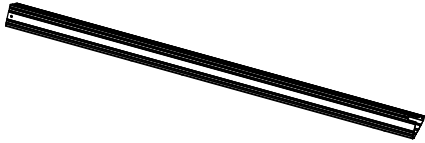
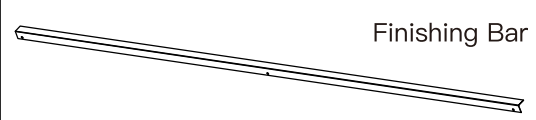
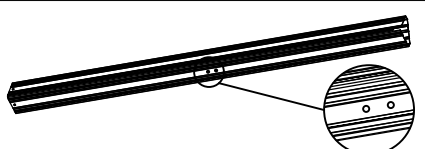
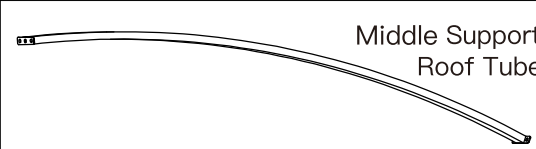
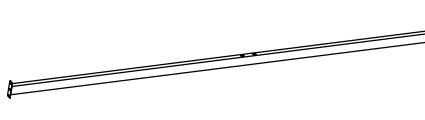
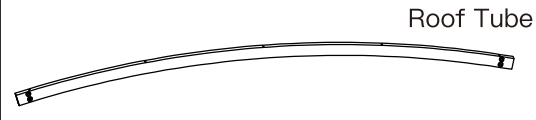
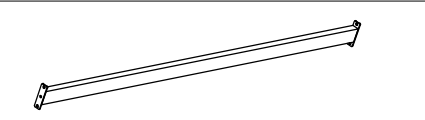

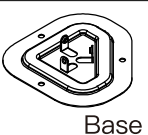

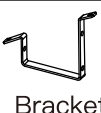

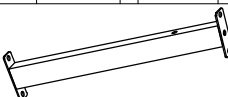
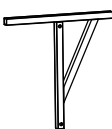
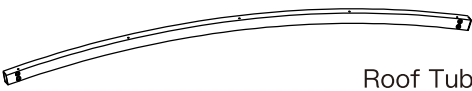
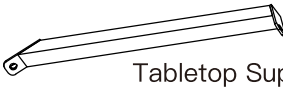


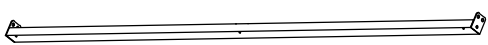
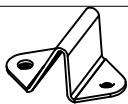
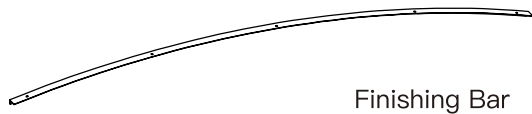
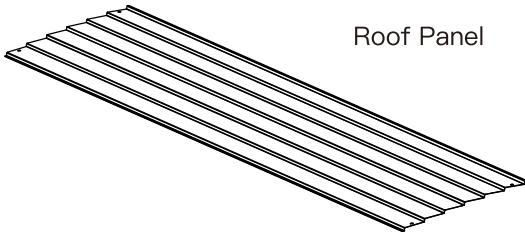
3

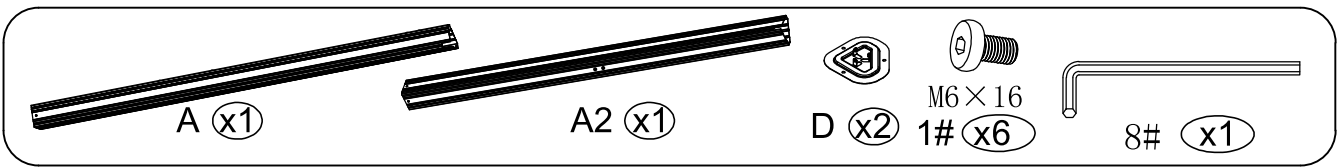


Or you can make a concrete footing for gazebo, **15×15×15 inches** is recommended. use expansion bolts to mount the pergola like ② shows.

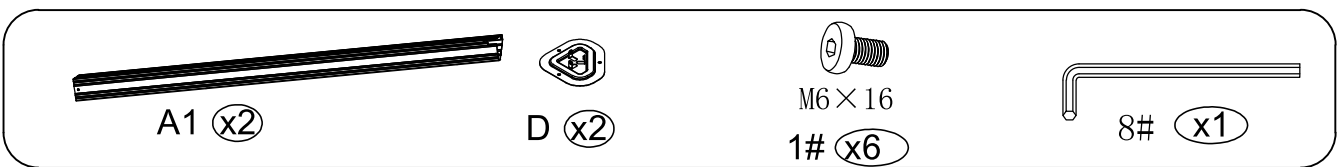
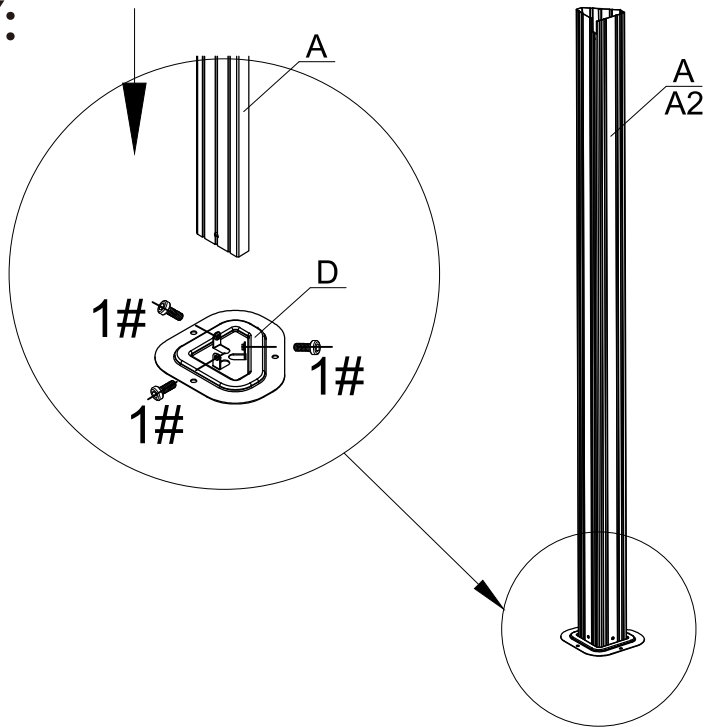
IMPORTANT:
Anchor is not recommended



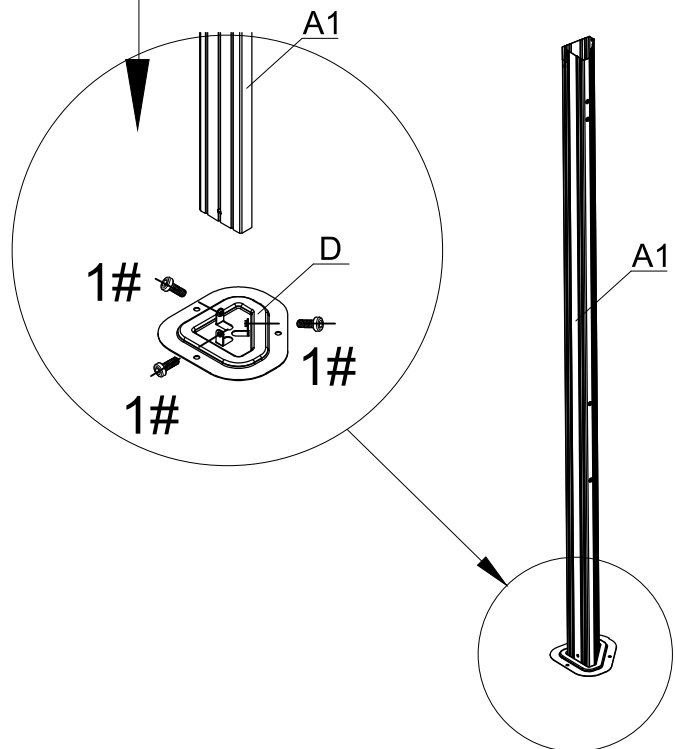
A		1	L		3
A1		2	M		1
A2		1	N		2
B		2	O		1
C		2	O1		1
D		4	E		4
F		2	F1		2
G		2	P		4
H		1	Q		4
H1		1	R		2
I		4	S		1
J		4			
K		8			
2					

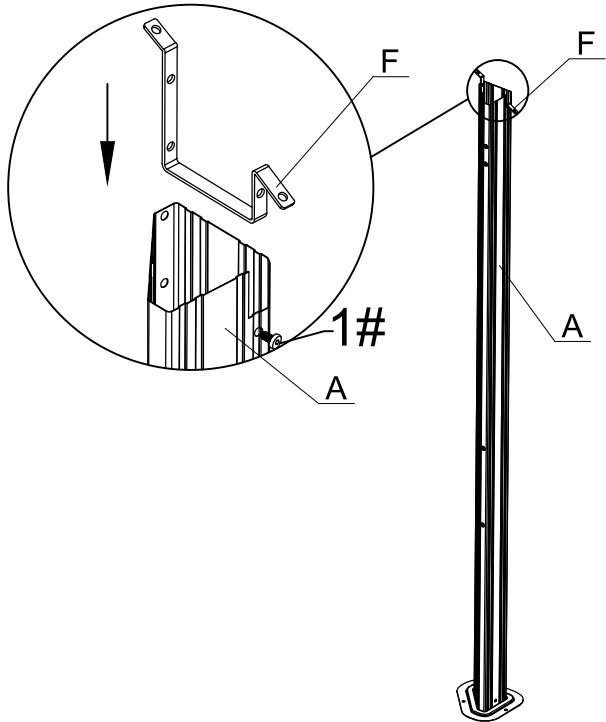
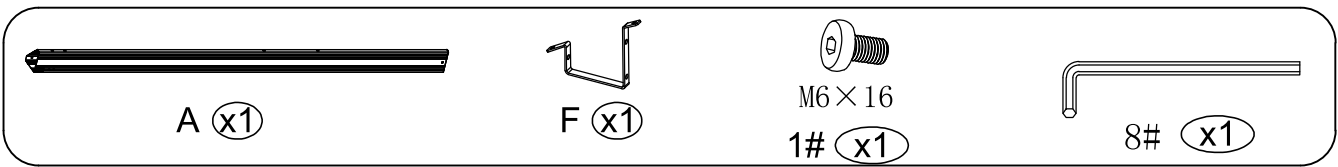


POST ASSEMBLY:

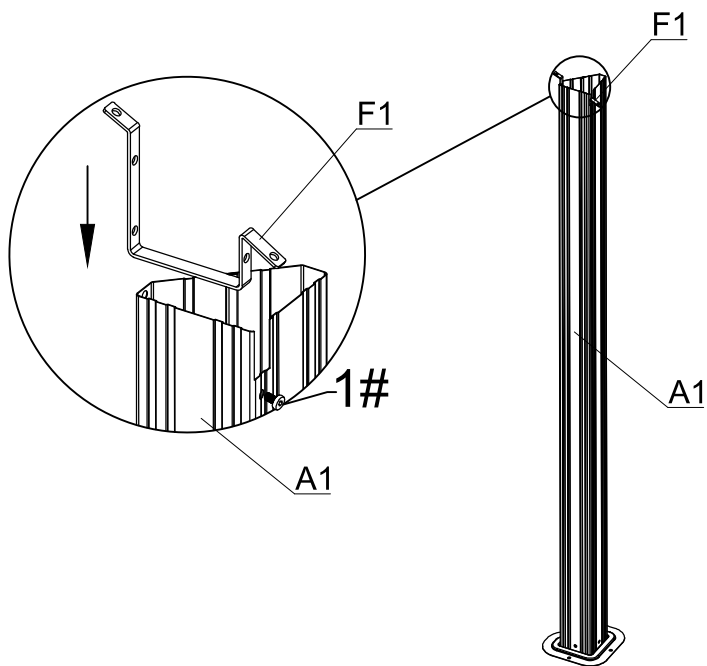
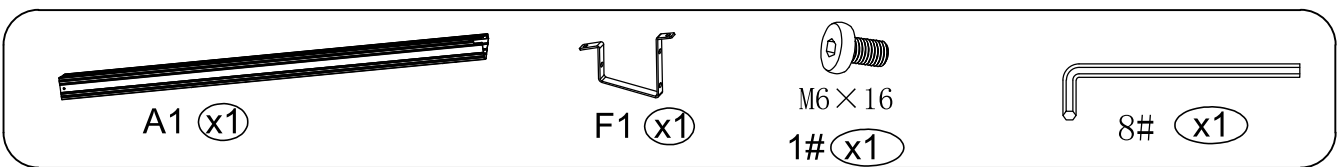


2X





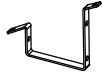
Install part F# to part A# with bole 1#.



Install part F1# to part A1# with bole 1#.



A1 (x1)



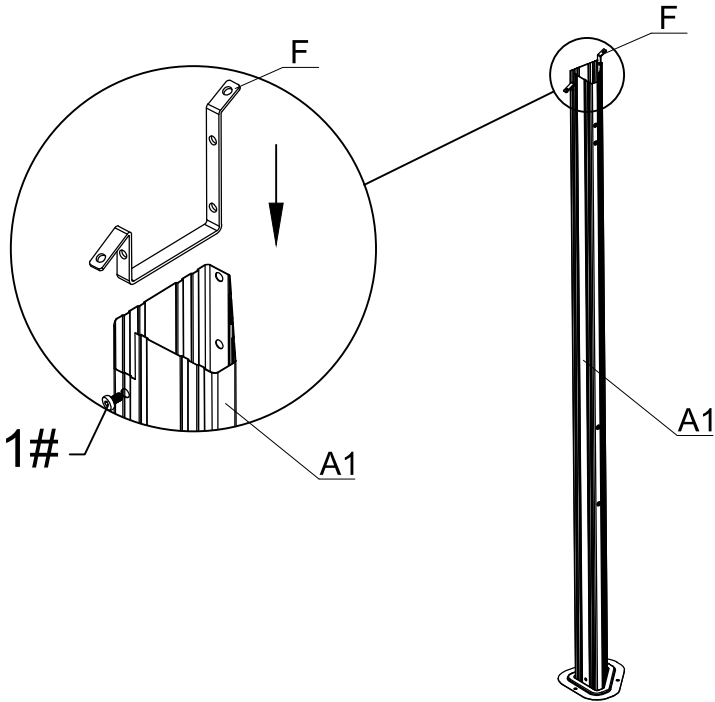
F (x1)



M6 x 16
1# (x1)



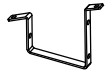
8# (x1)



Install part F# to part A1# with bole 1#.



A2 (x1)



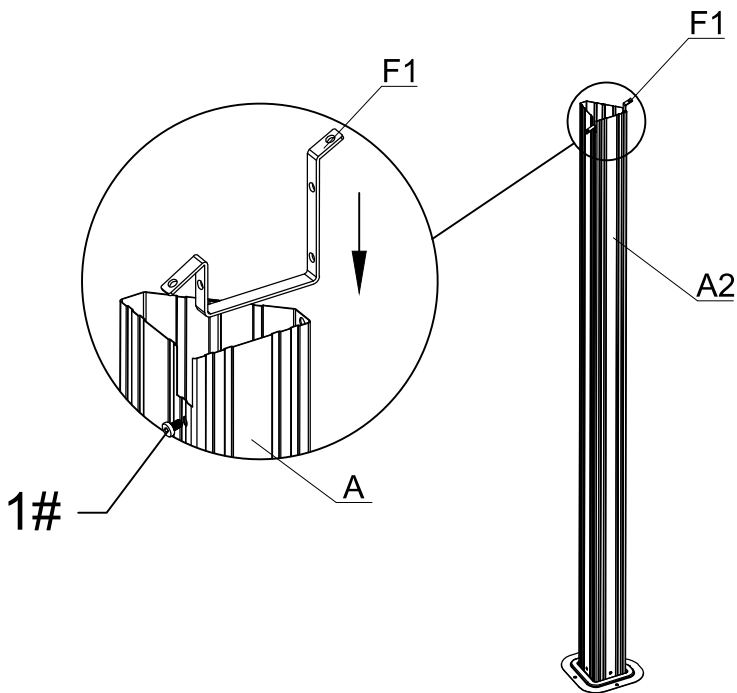
F1 (x1)



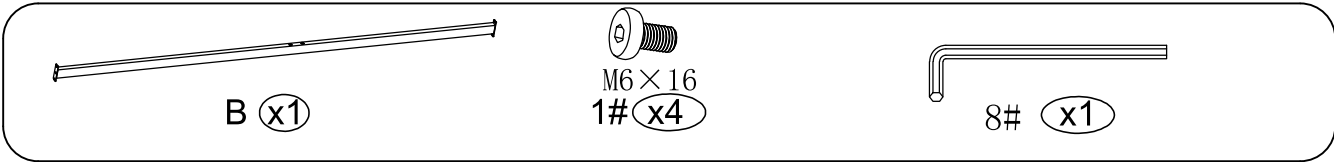
M6 x 16
1# (x1)



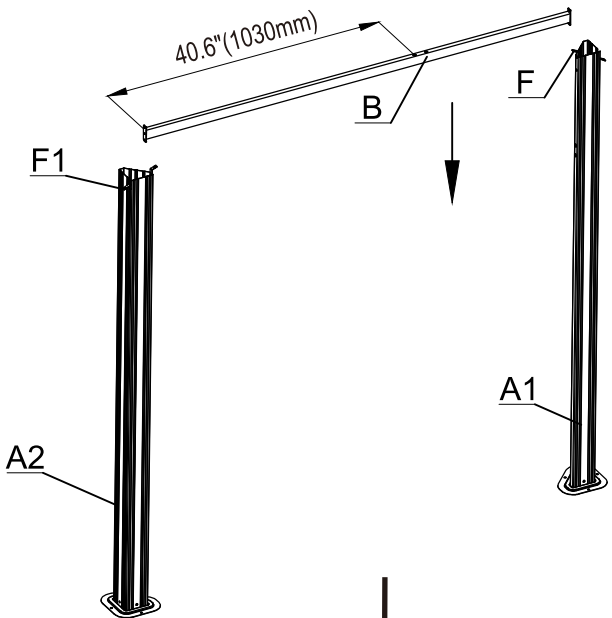
8# (x1)



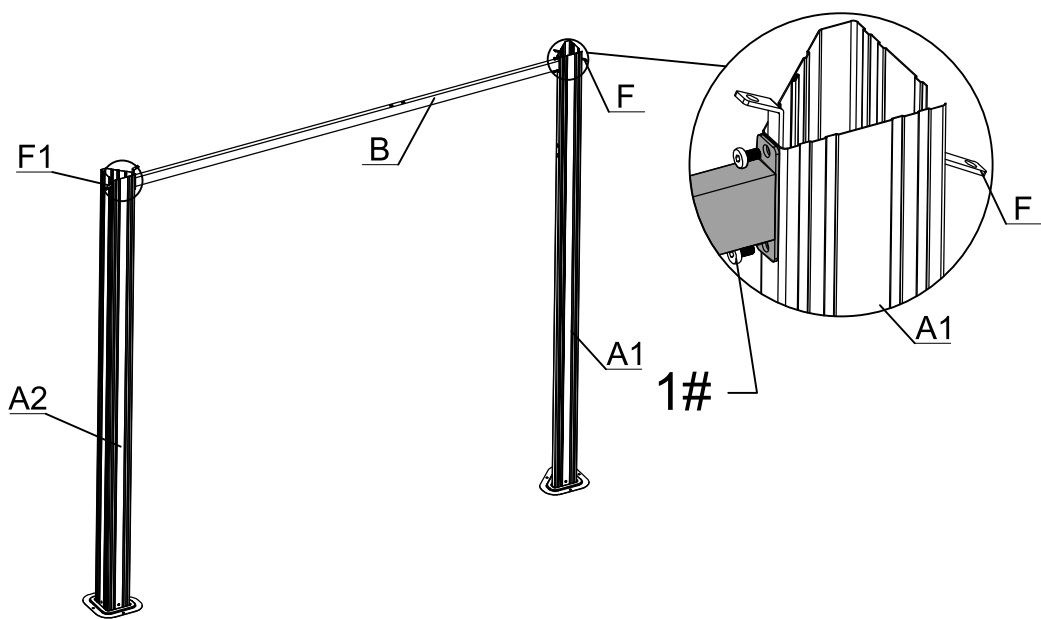
Install part F1# to part A# with bole 1#.



BEAM ASSEMBLY:



Install part B# to
 part F# and part F1#
 as shown.
 Notice the hole position.

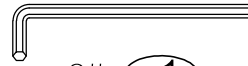




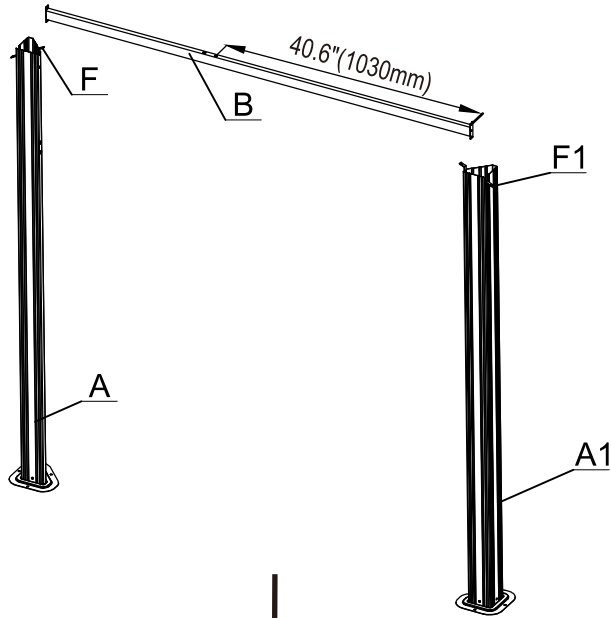
B (x1)



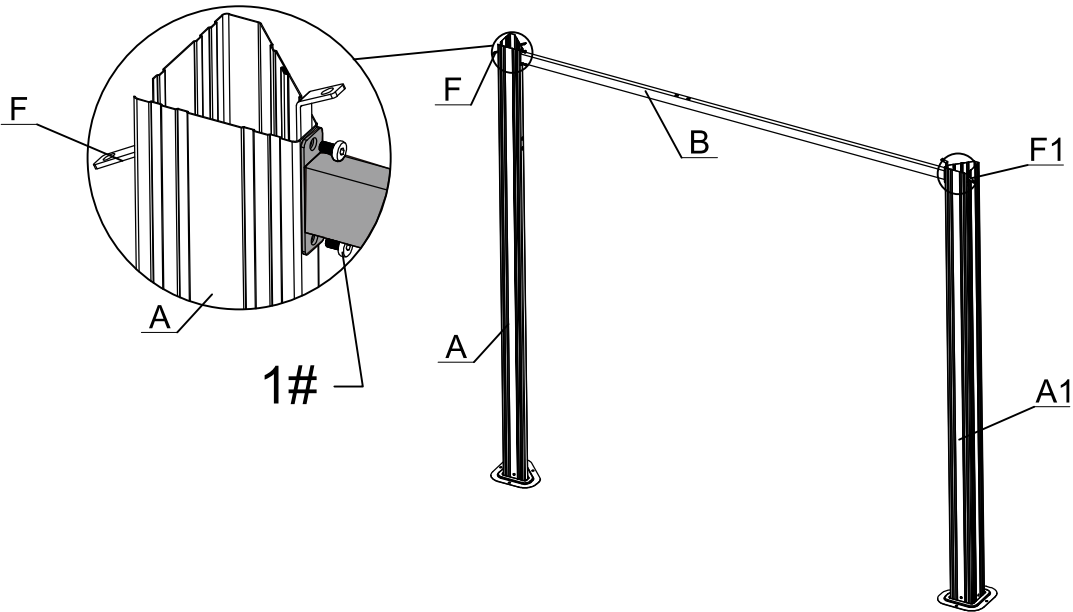
M6 × 16
1# (x4)

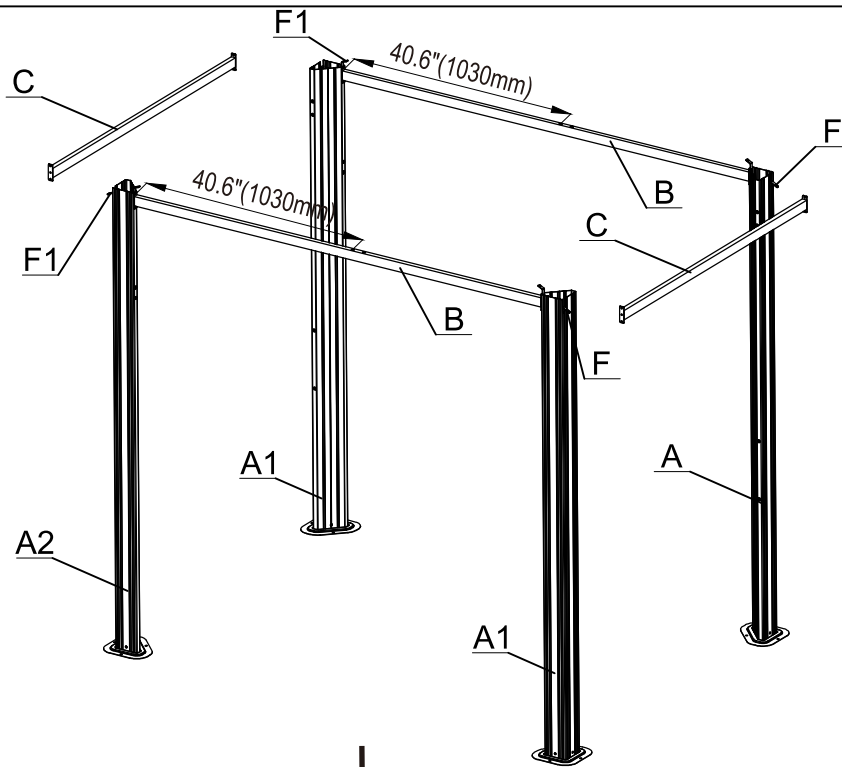
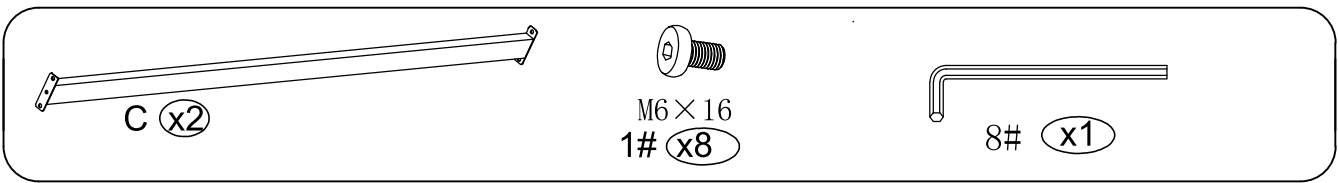


8# (x1)

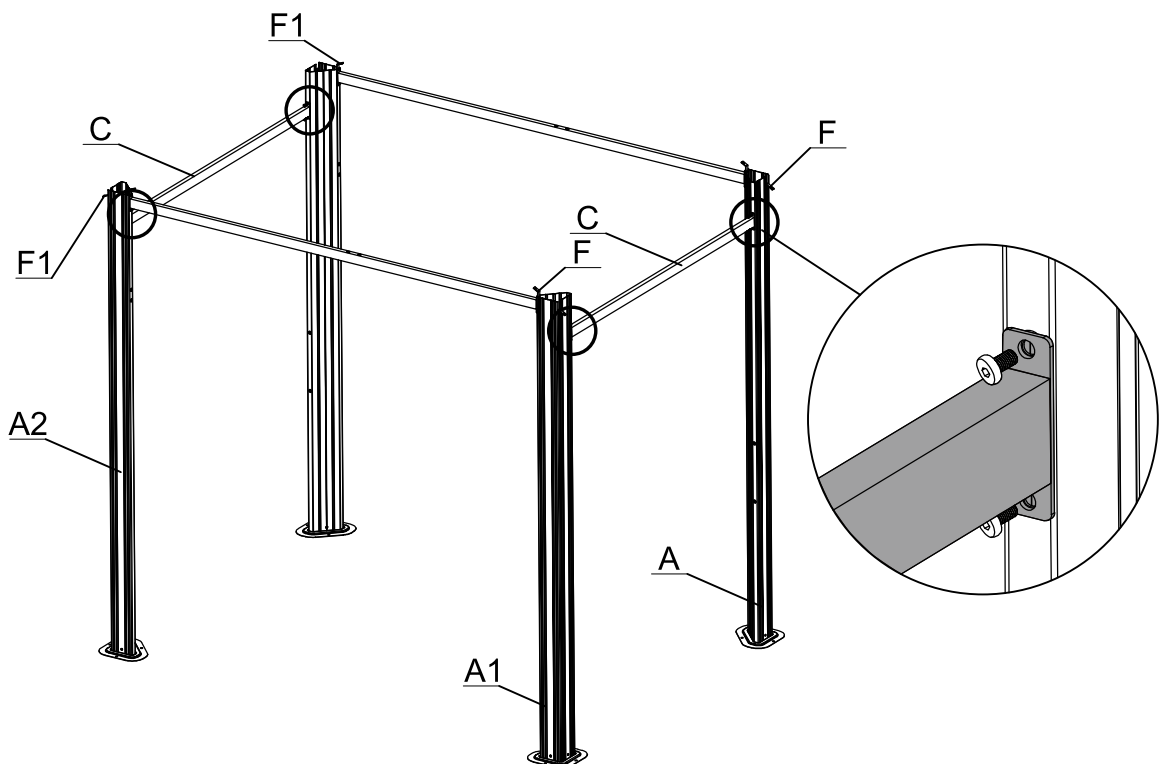


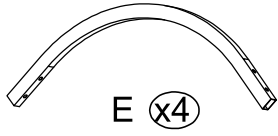
Notice the hole position.



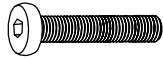


Notice the hole position.



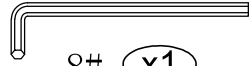


E x4

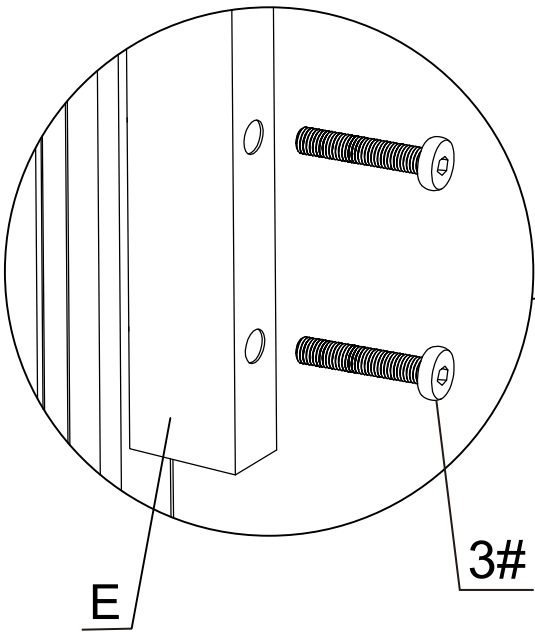
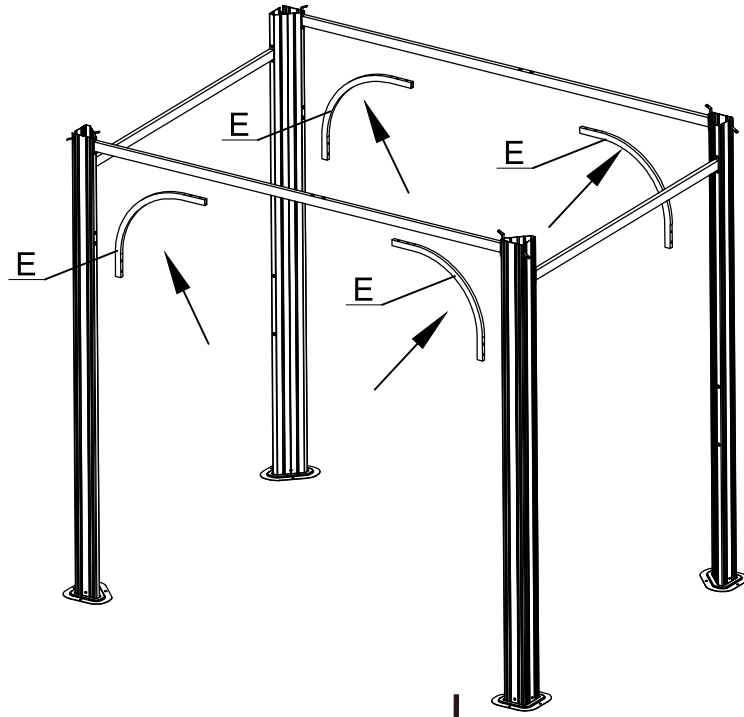


M6 x 35

3# x16

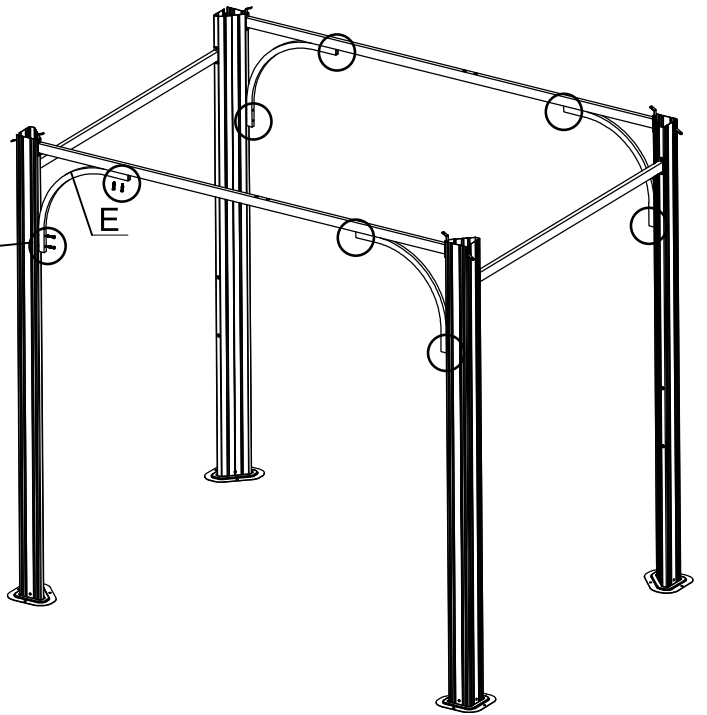


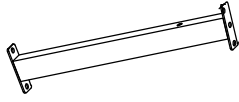
8# x1



3#

E





G x2

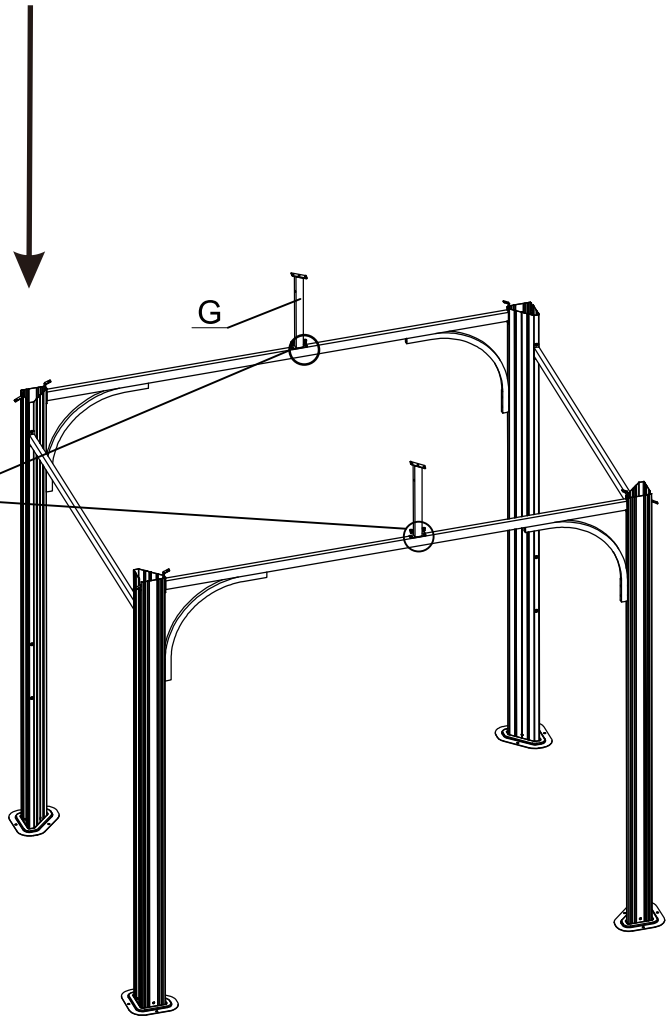
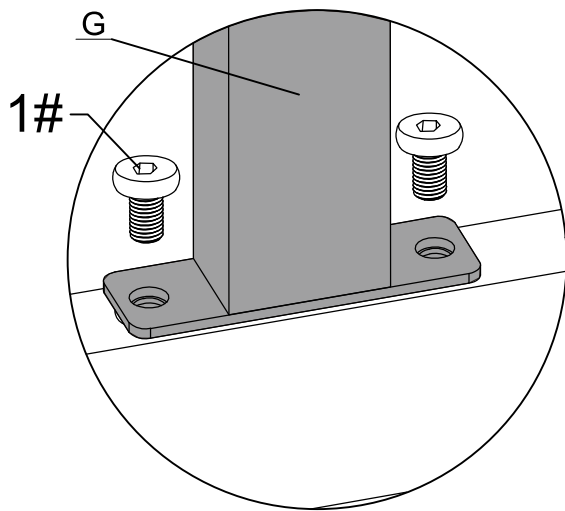
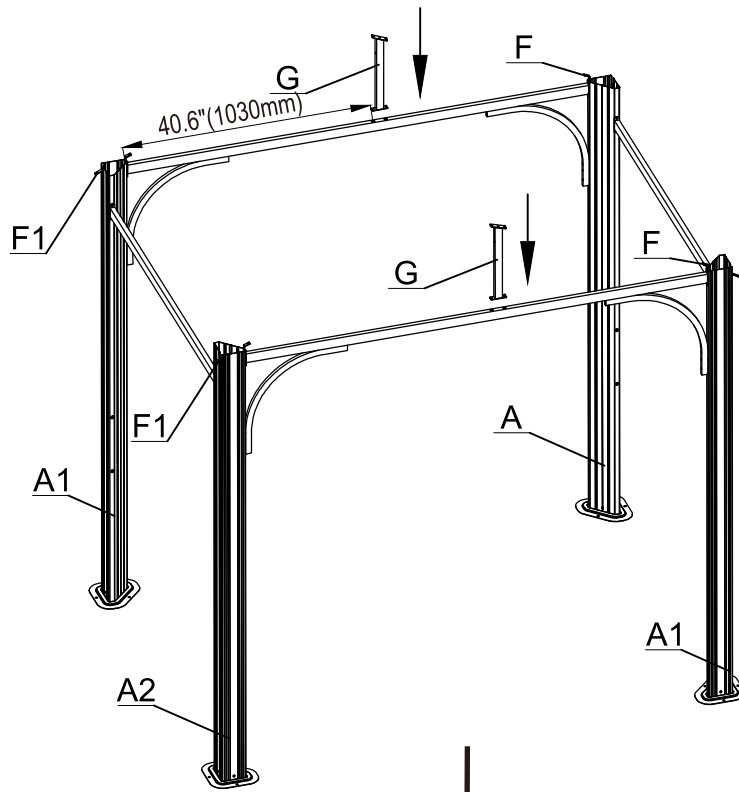


M6 x 16

1# x4



8# x1

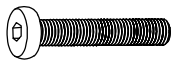




H (x1)



H1 (x1)



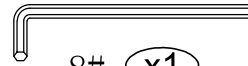
M6 x 40

4# (x2)

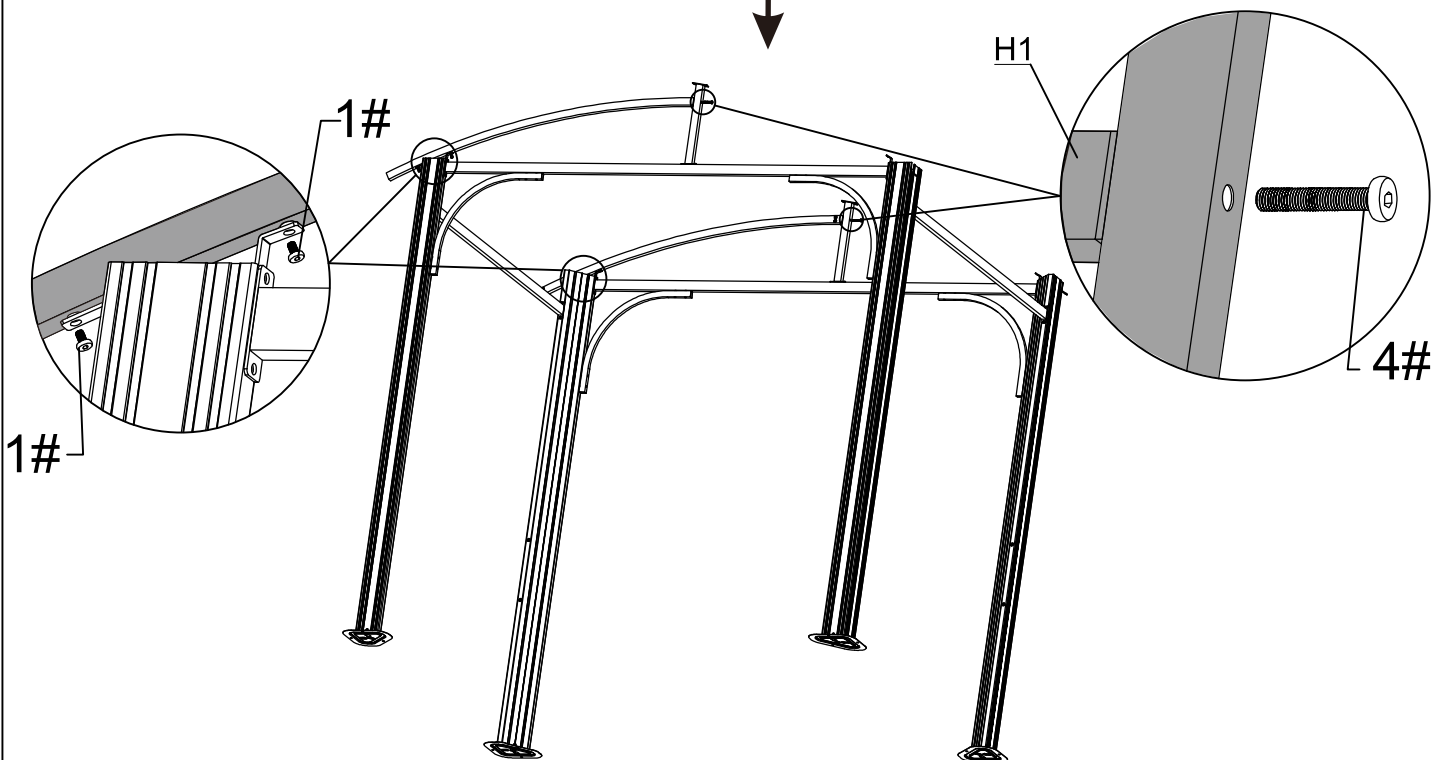
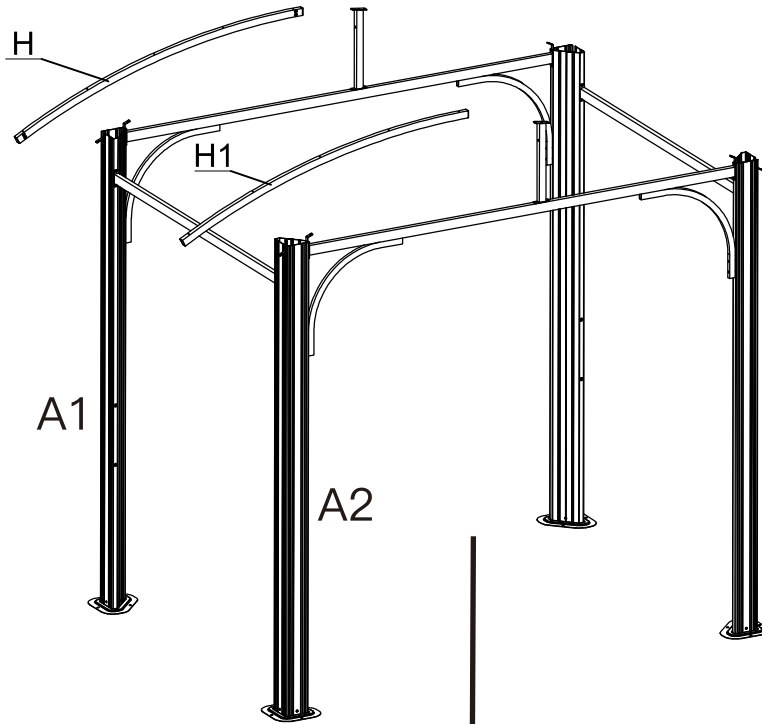


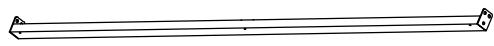
M6 x 16

1# (x4)



8# (x1)



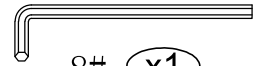


I (x2)

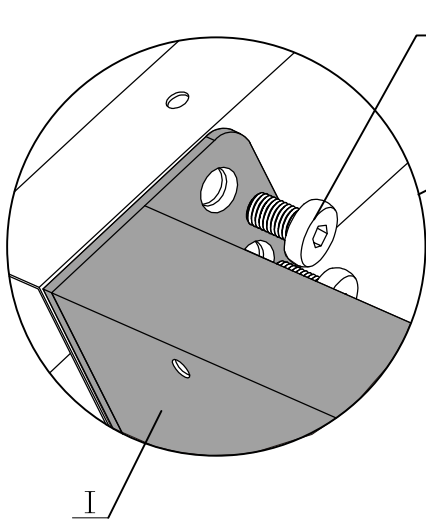
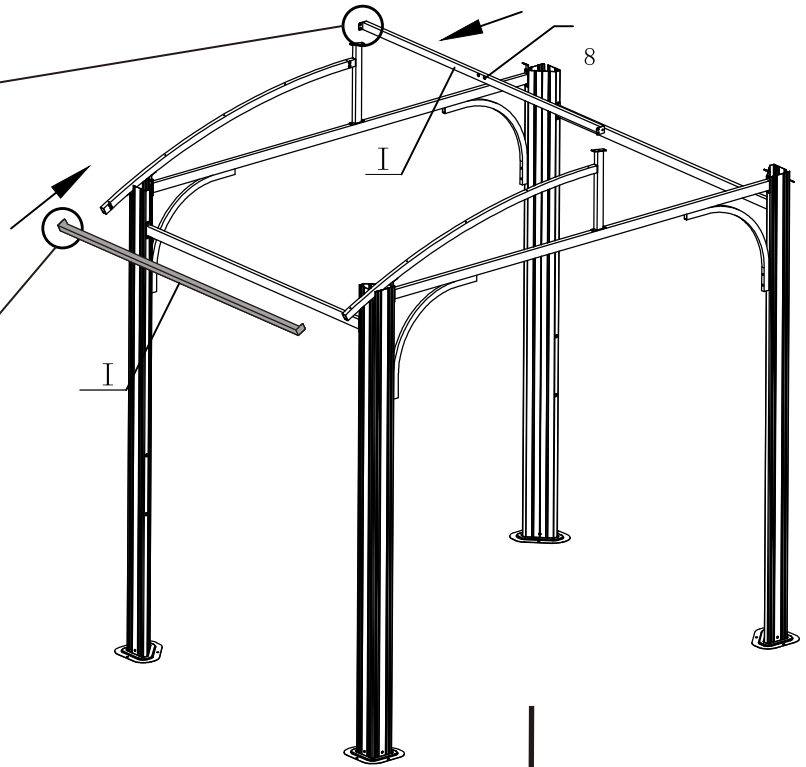
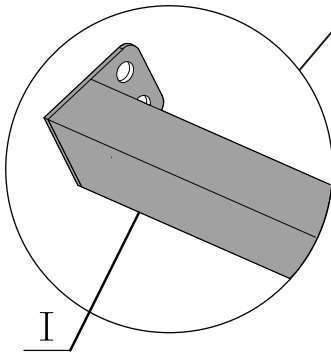
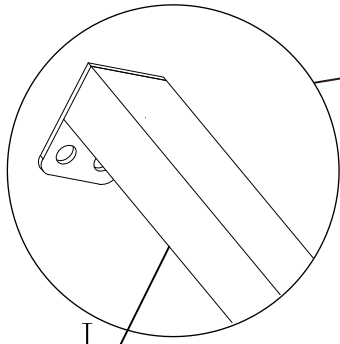


M6 × 16

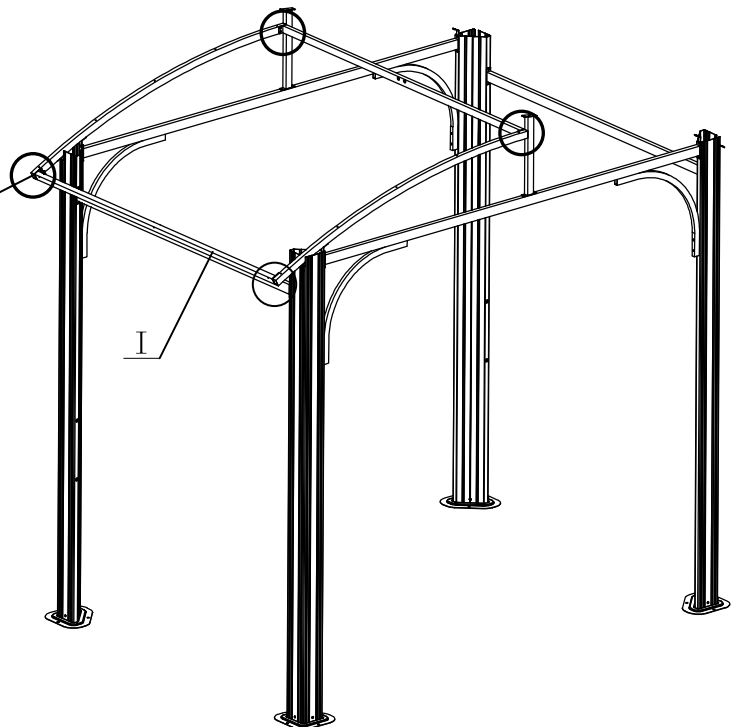
1# (x8)



8# (x1)



1#



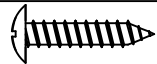
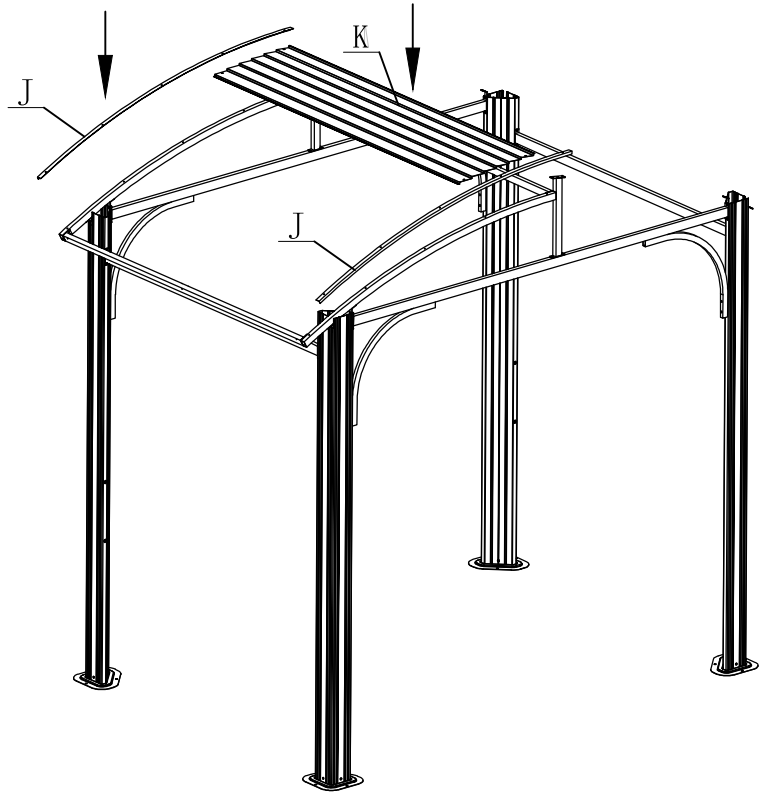


J (x2)



K (x1)

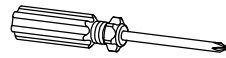
ROOF PANEL ASSEMBLY:



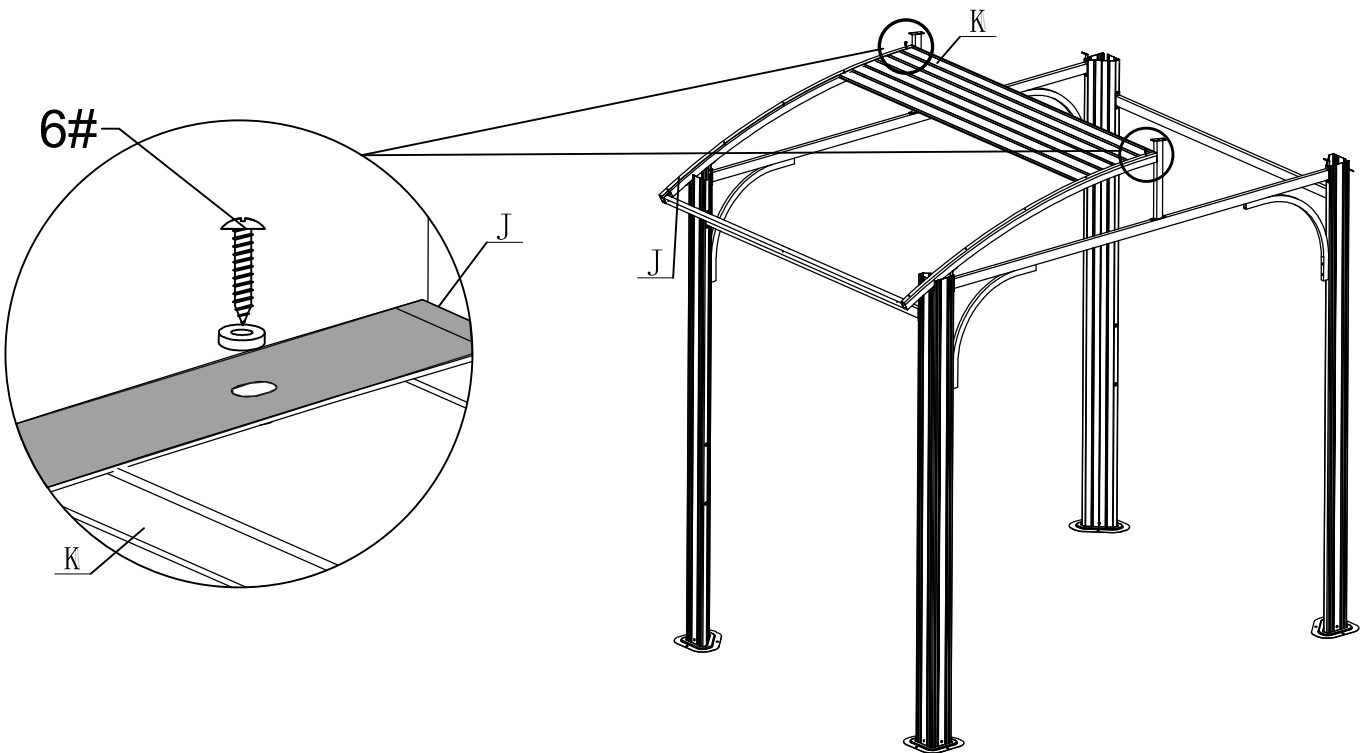
4x25 6# (x2)

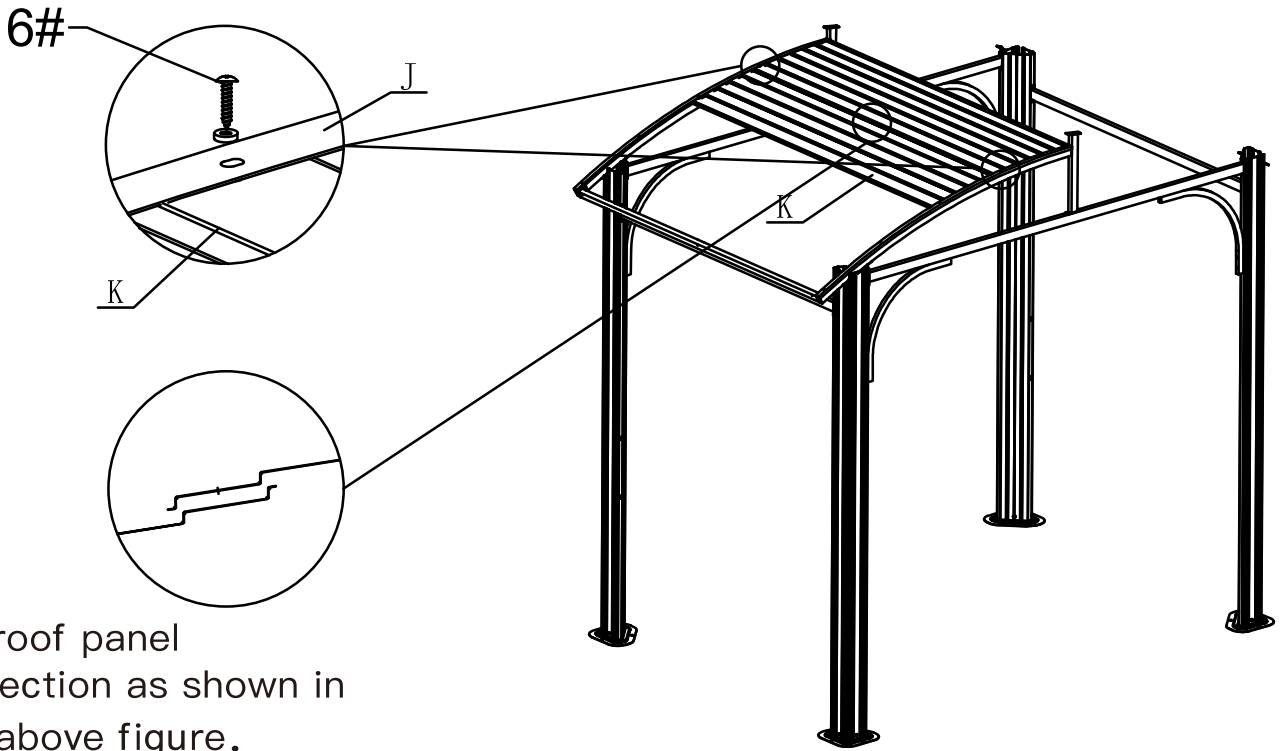
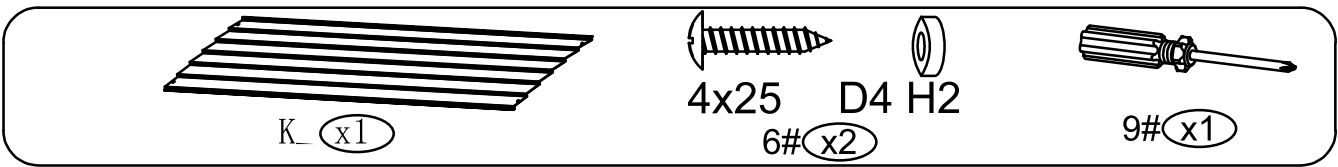


D4 H2

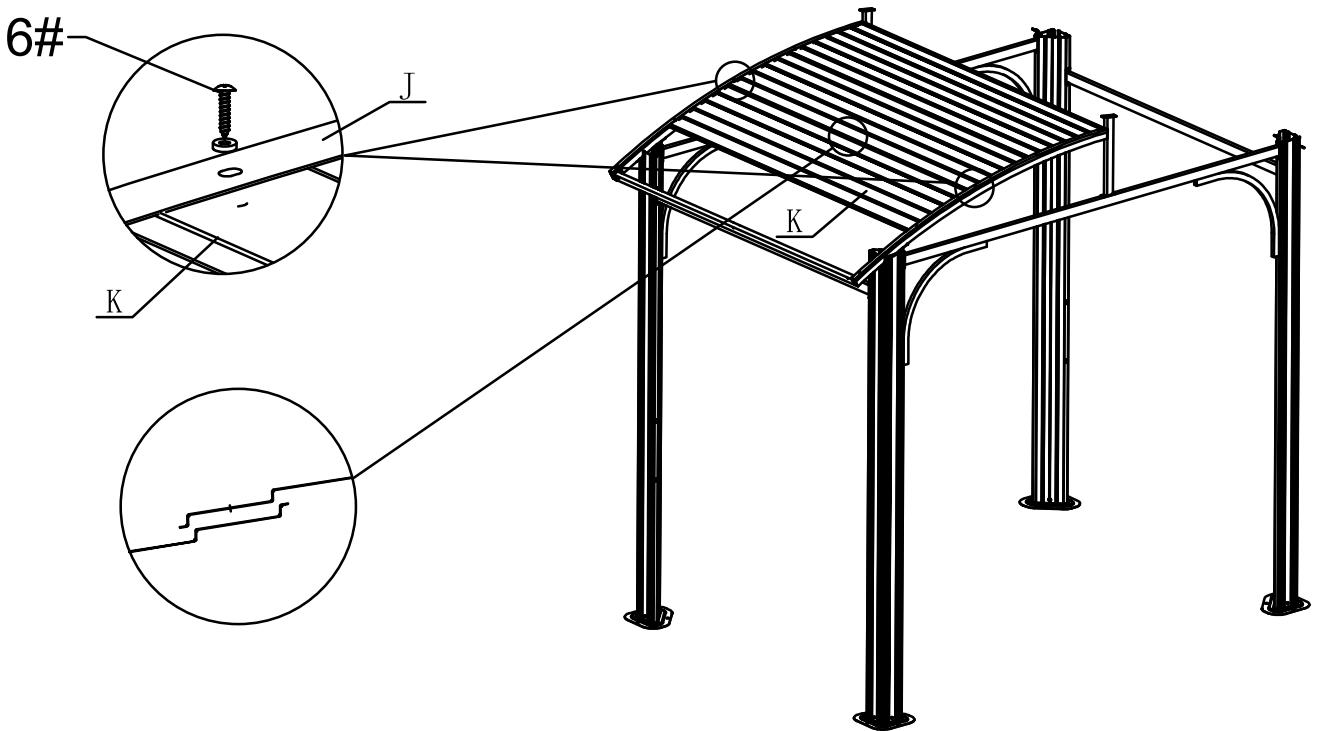
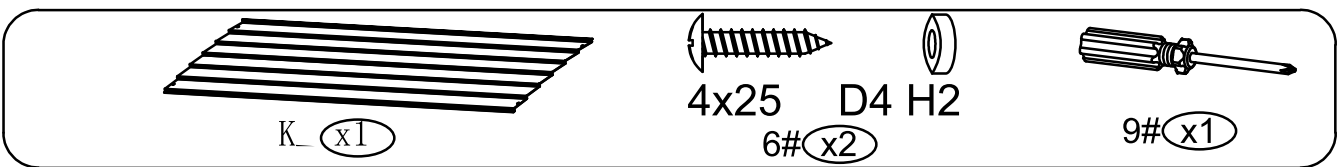


9# (x1)





The roof panel connection as shown in the above figure.





K (x1)

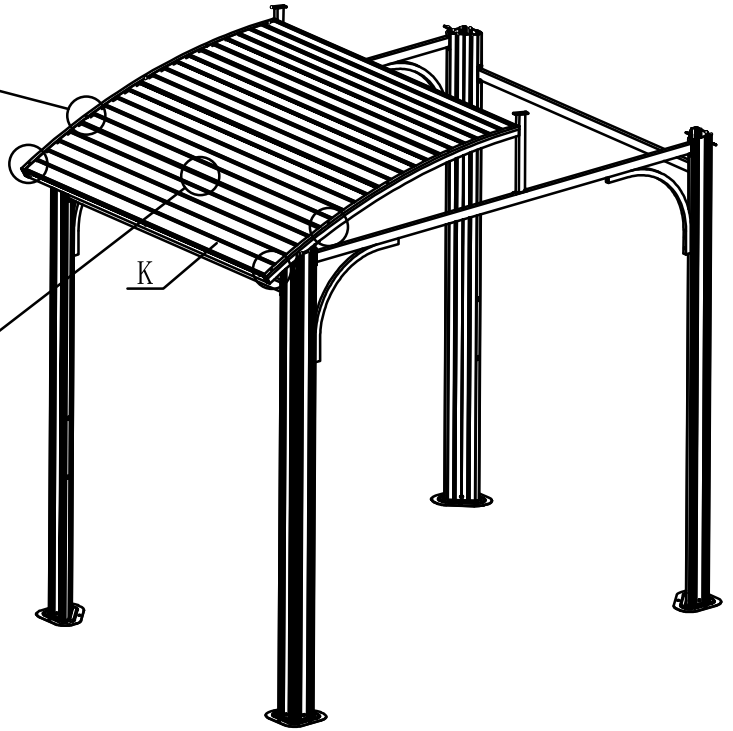
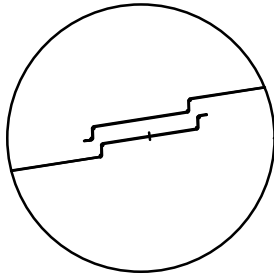
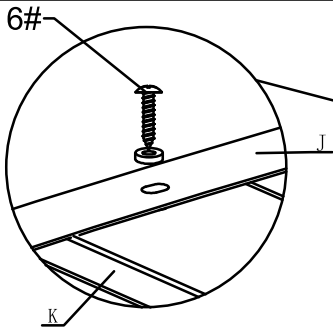


4x25 D4 H2

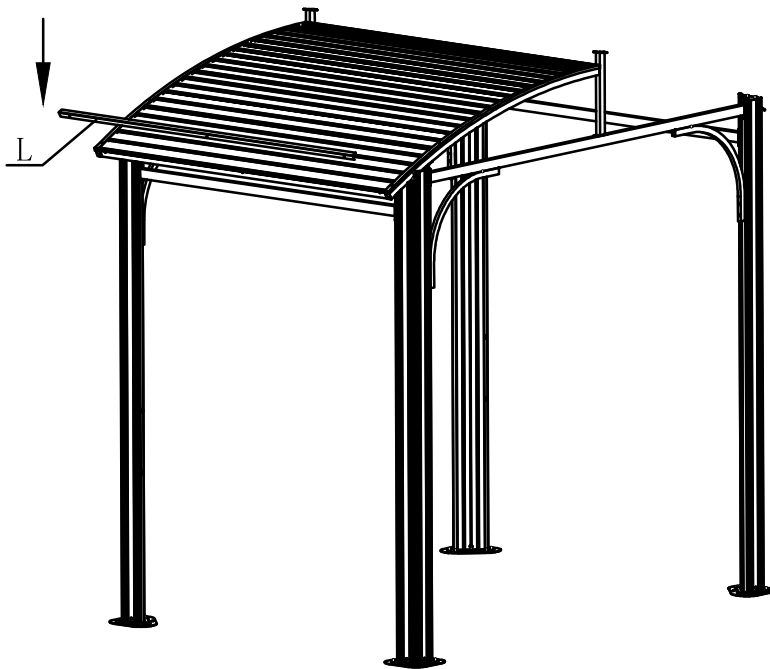
6# (x4)



9# (x1)



L (x1)



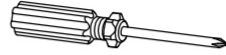


4x16

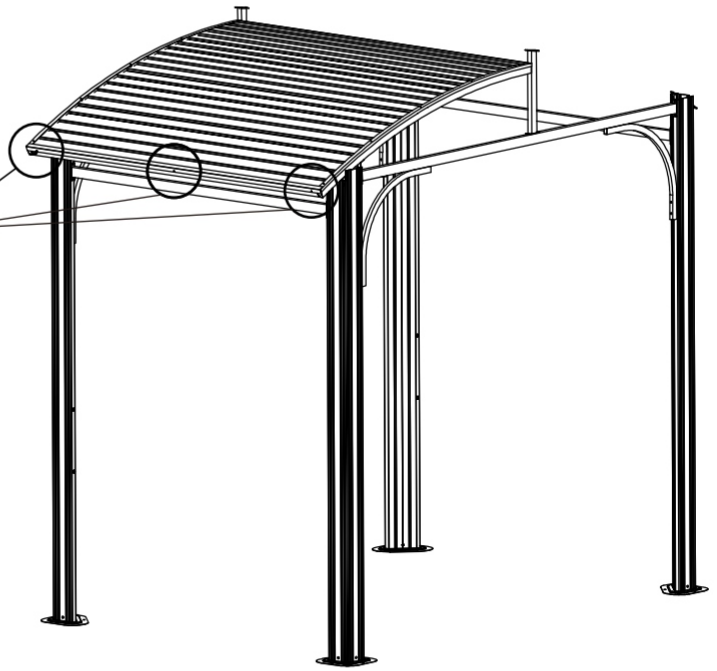
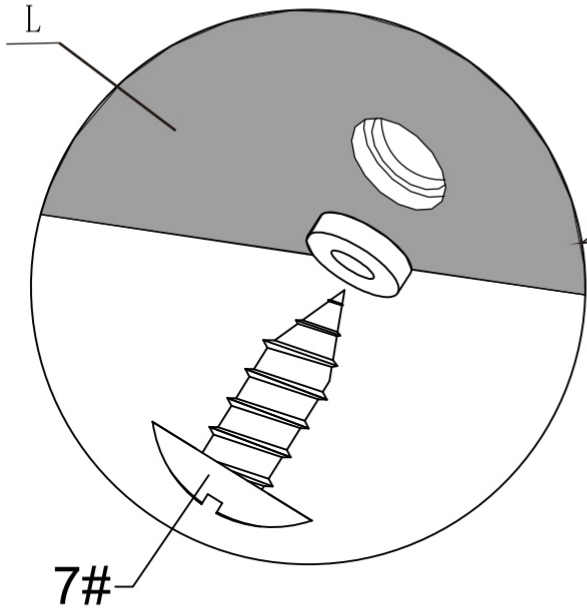
7# x3



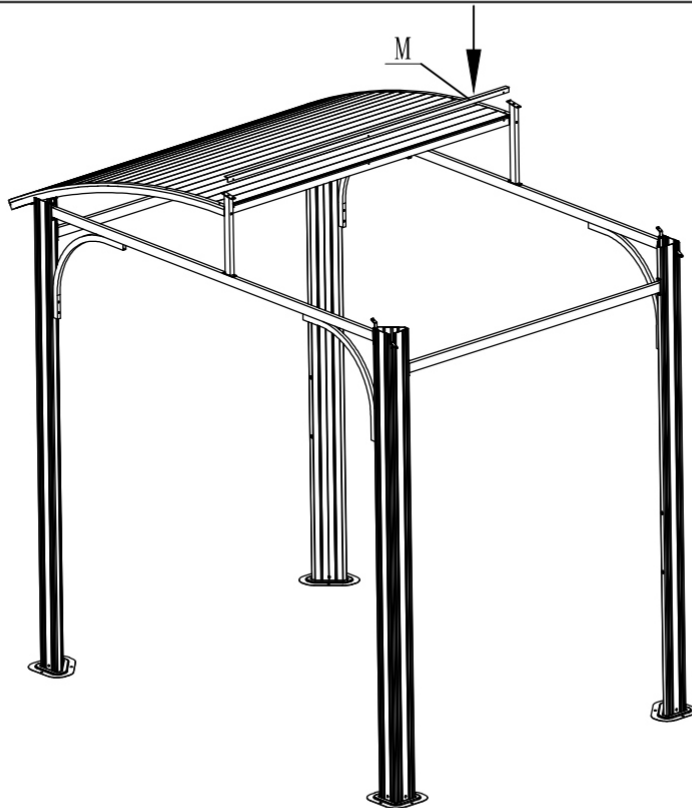
D4 H2



9# x1



M x1



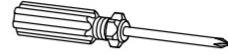


4x16

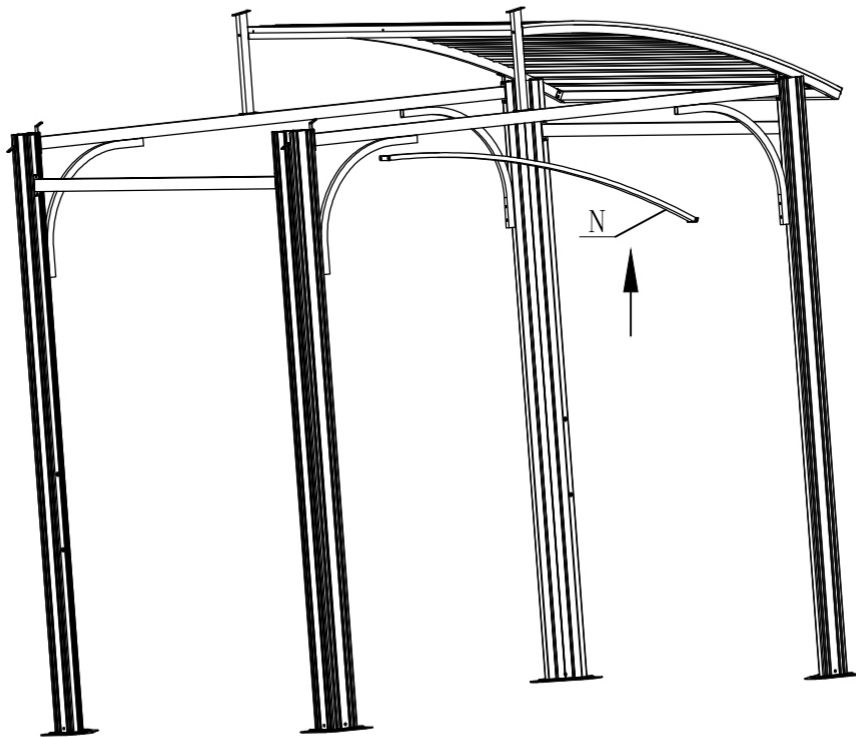
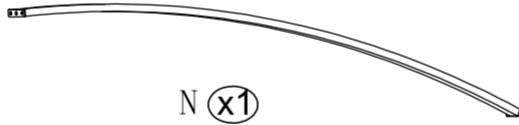
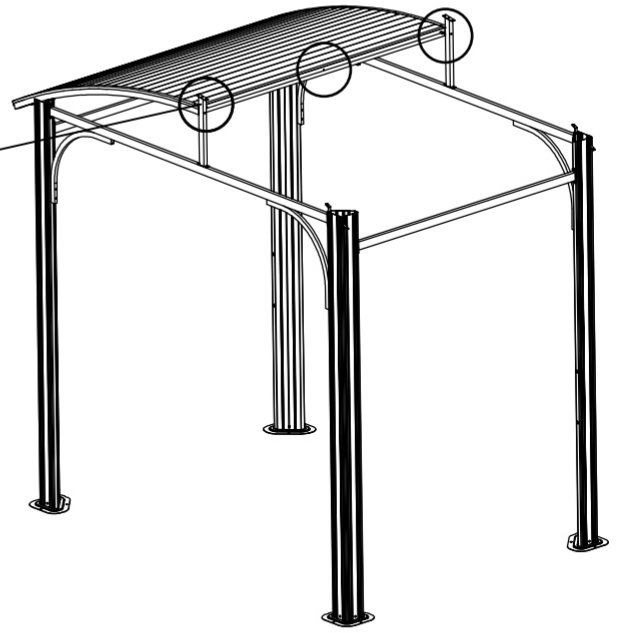
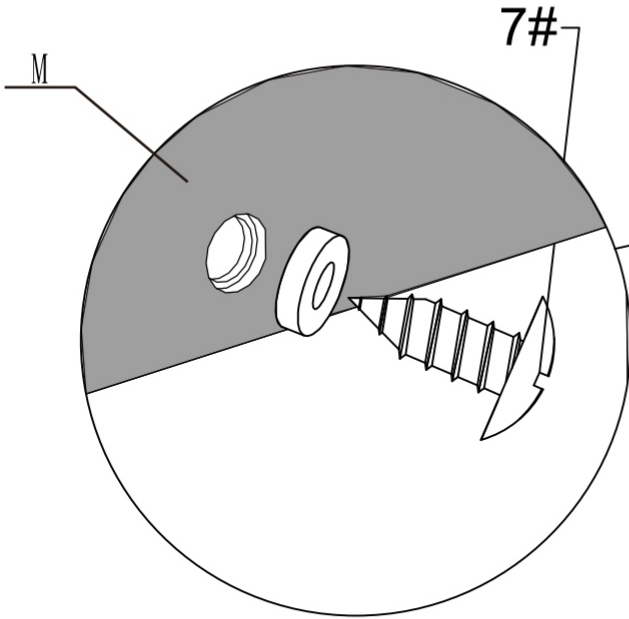


D4 H2

7# x3



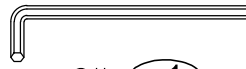
9# x1





M6 × 16

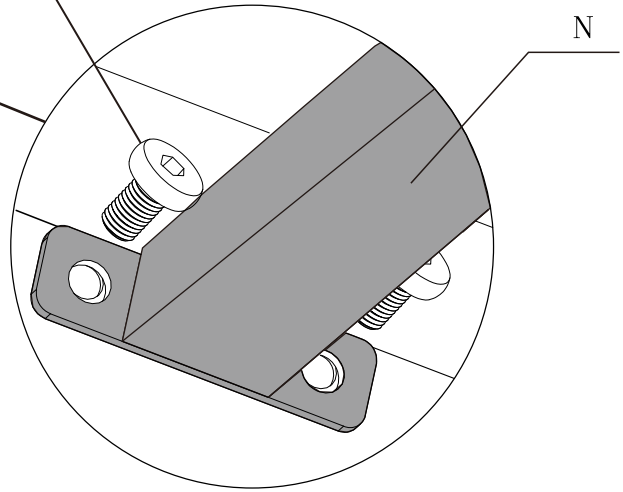
1# (x2)



8# (x1)



1#



BOTTOM VIEW

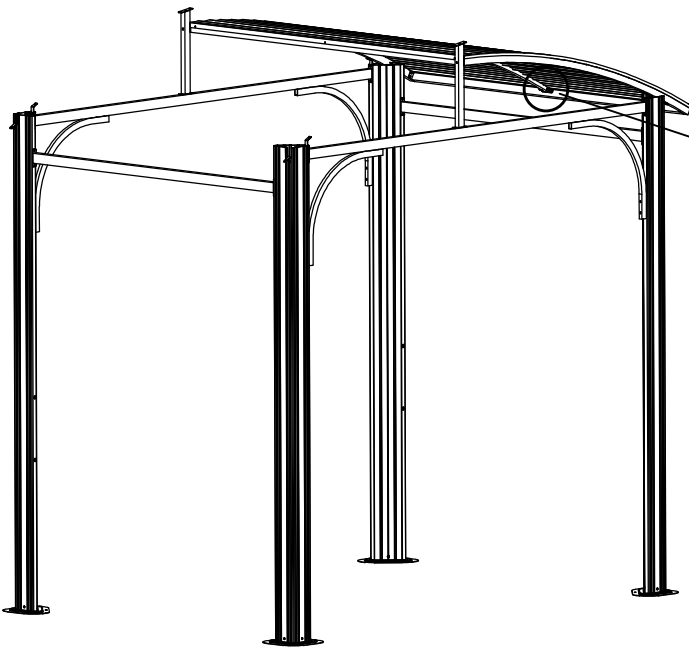


M6 × 16

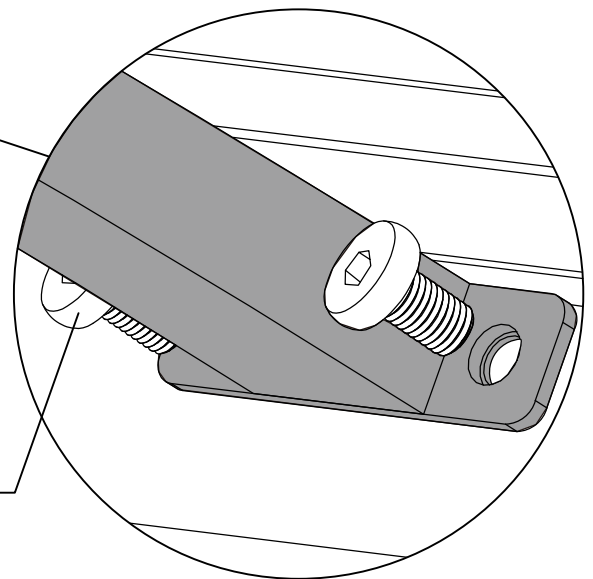
1# (x2)



8# (x1)



1#





0 (x1)

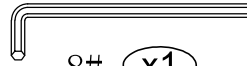


M6 x 16

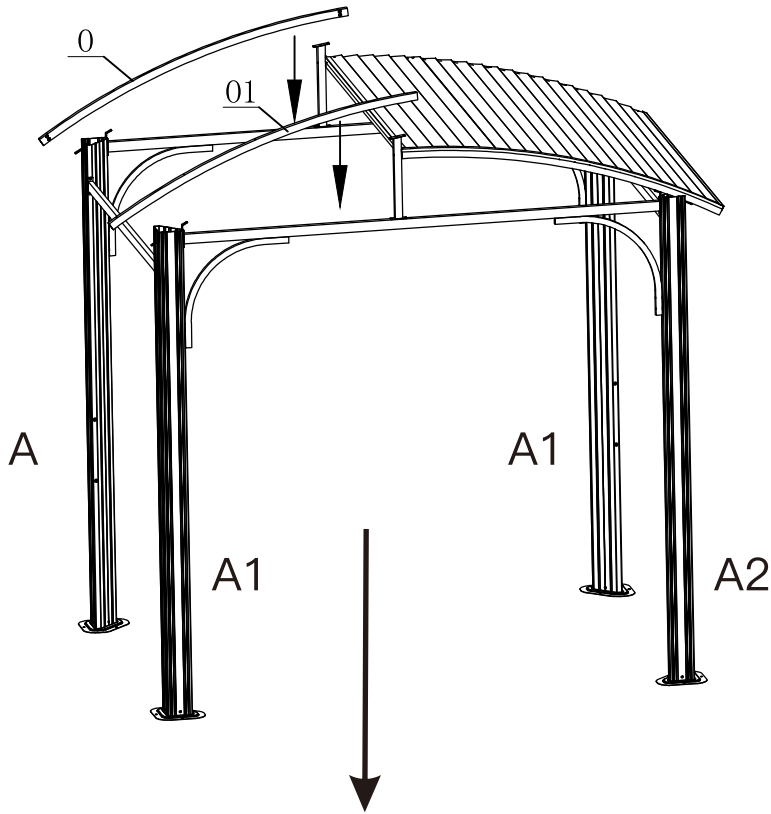
1# (x8)



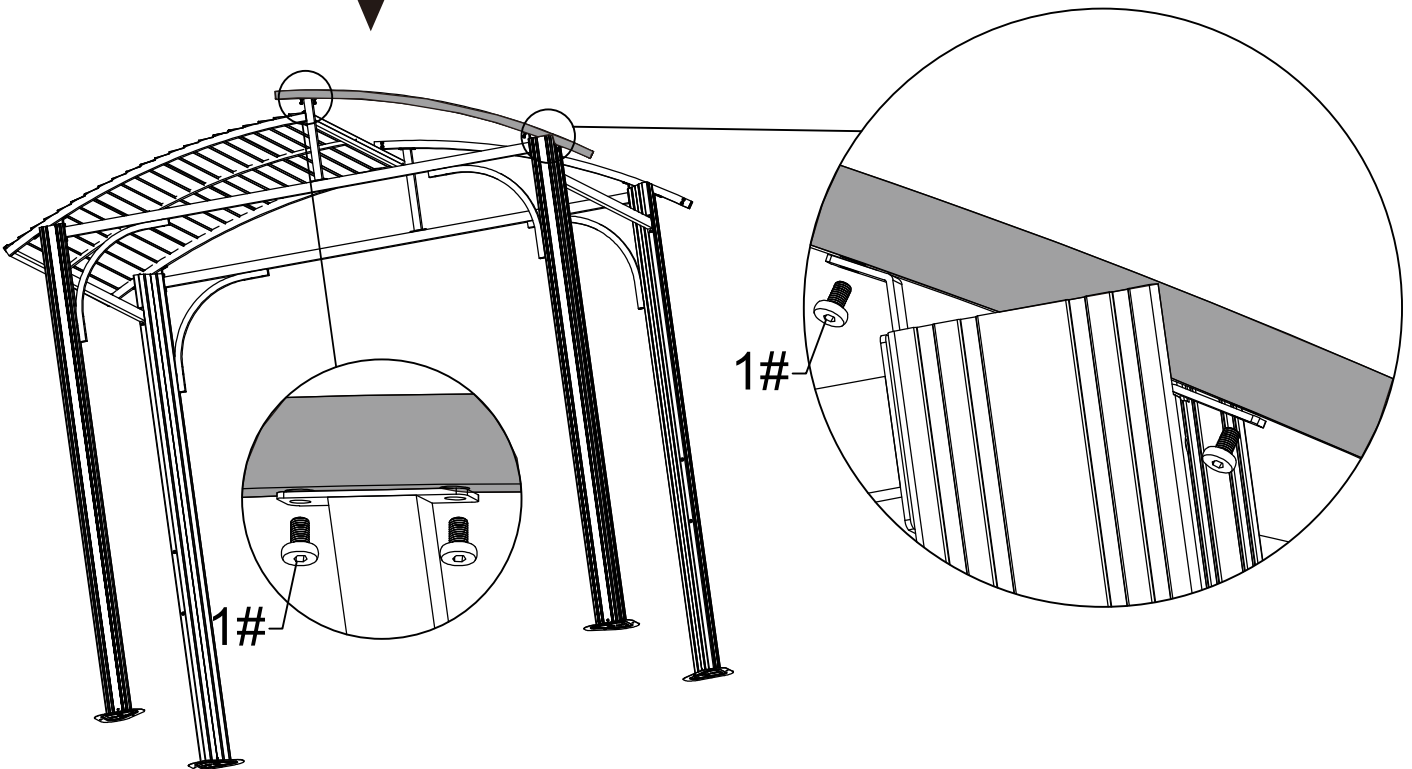
01 (x1)

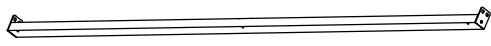


8# (x1)



Please install part #0&01 as shown.





I (x2)

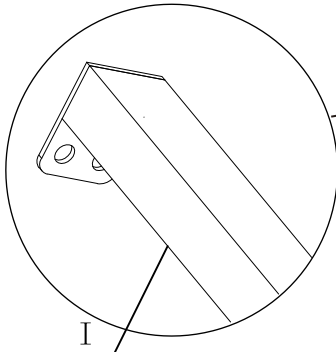


M6 x 16

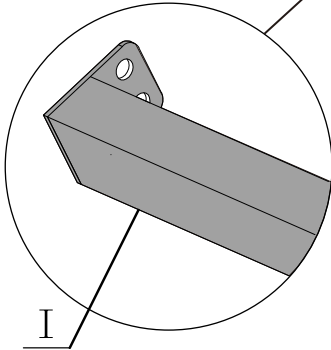
1# (x8)



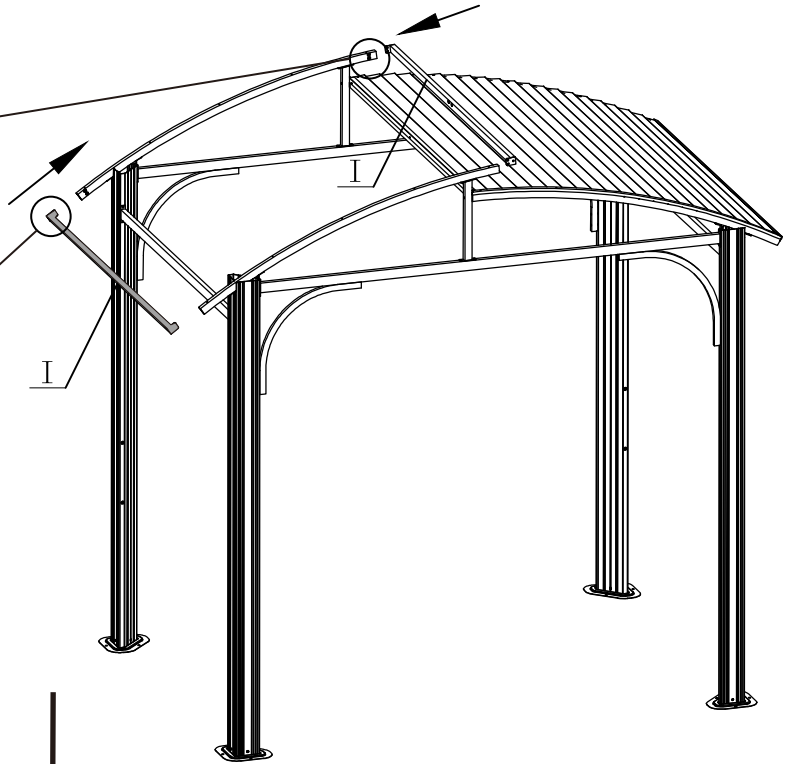
8# (x1)



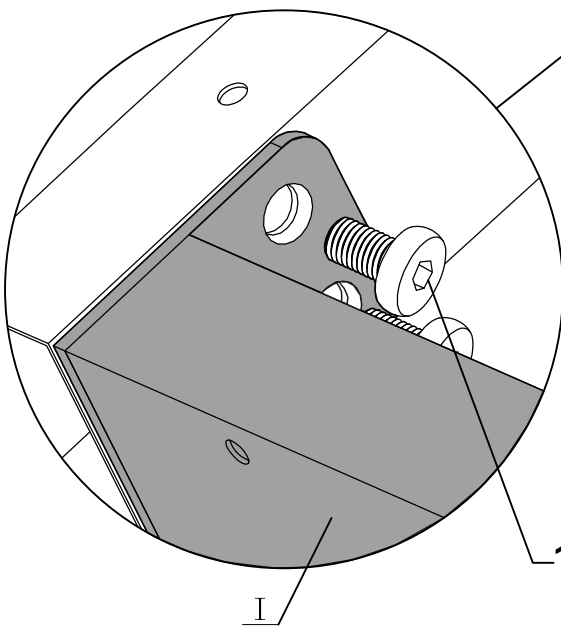
I



I

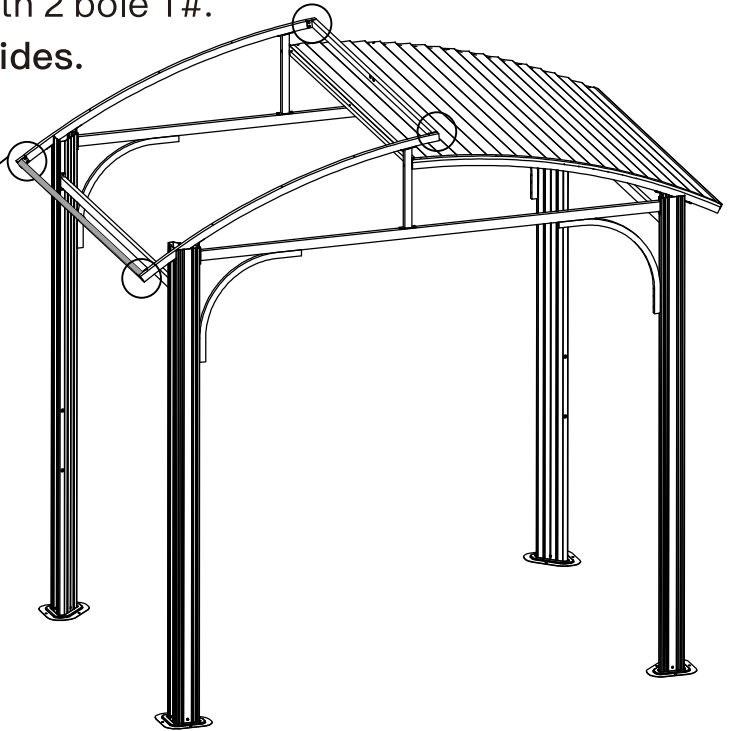


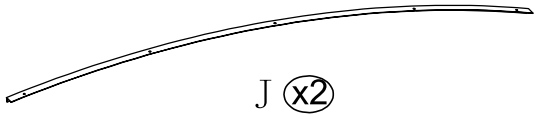
Install part I# to part O# and O1# with 2 bole 1#.
Repeat above step on the other 3 sides.



1#

I

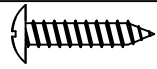
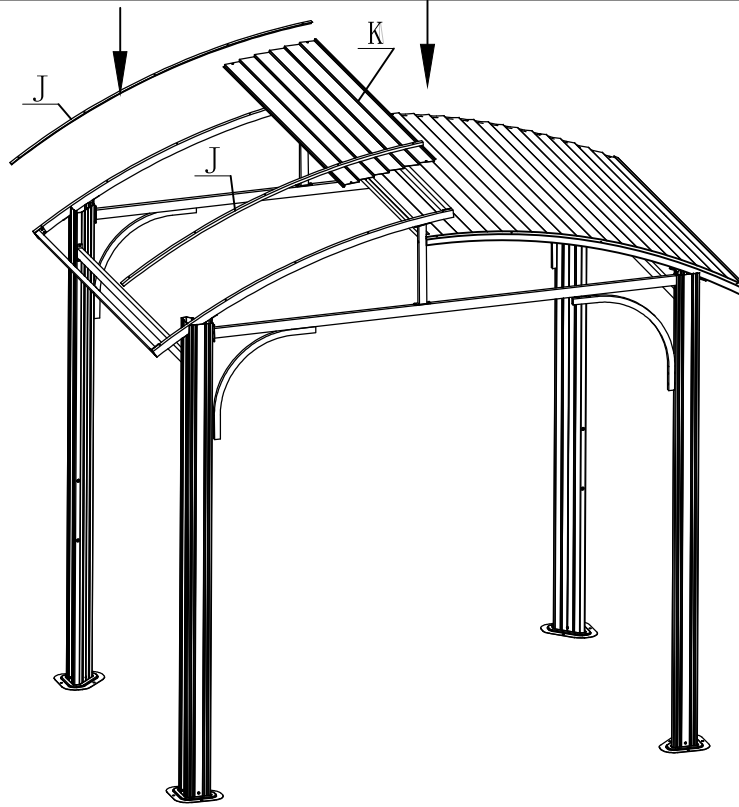




J (x2)



K (x1)

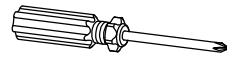


4x25

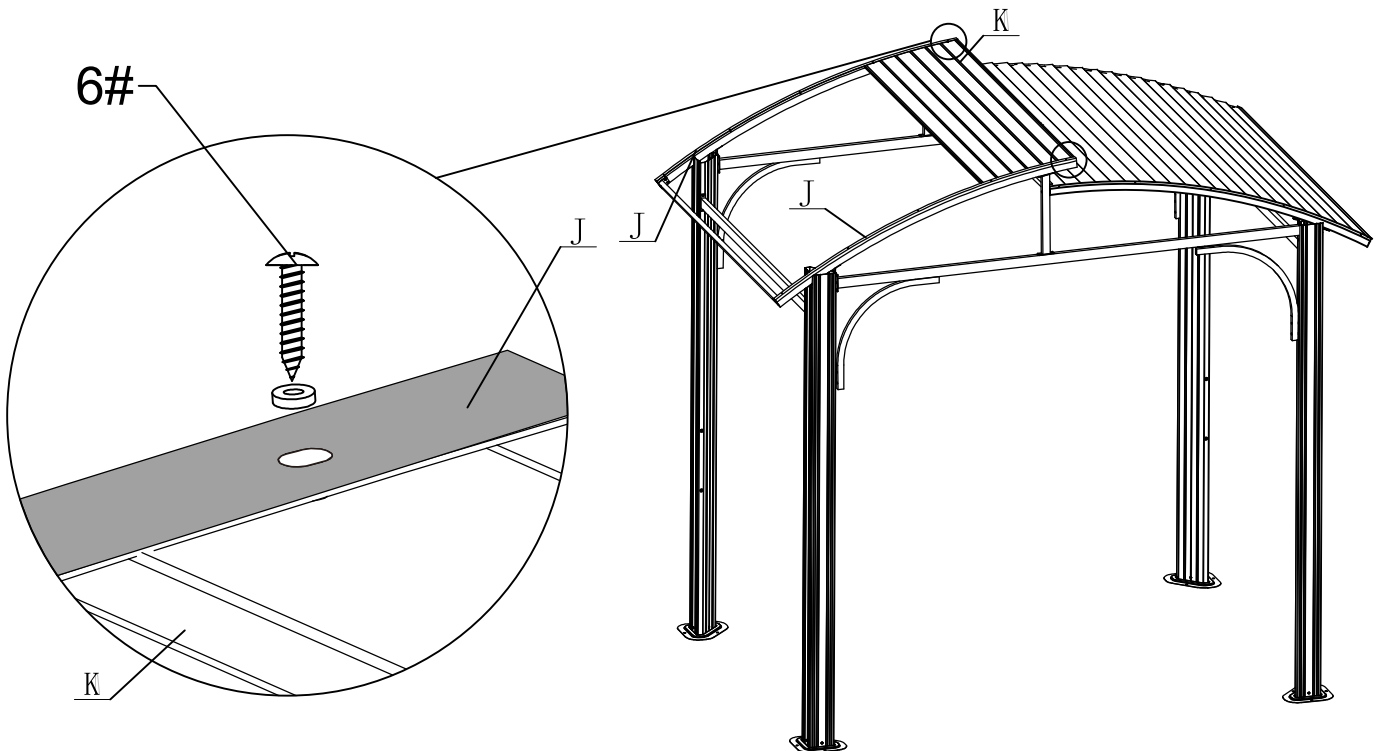


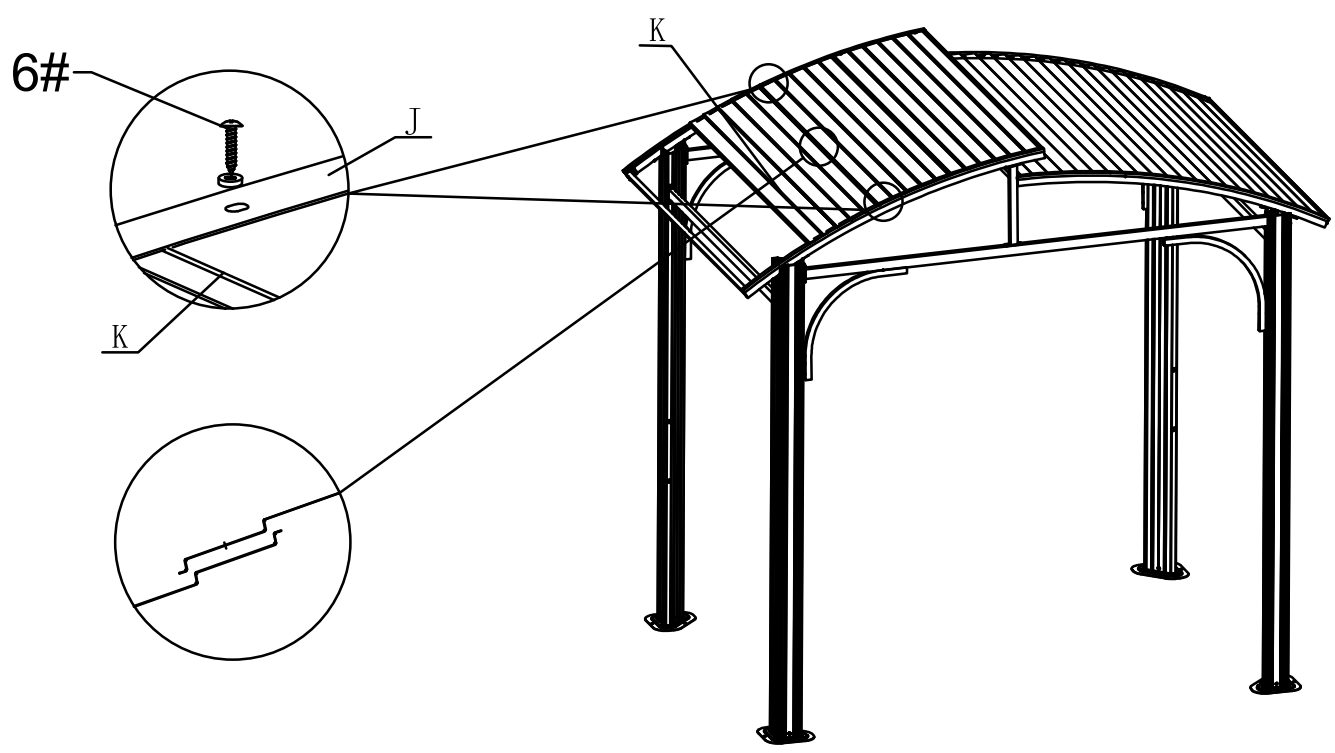
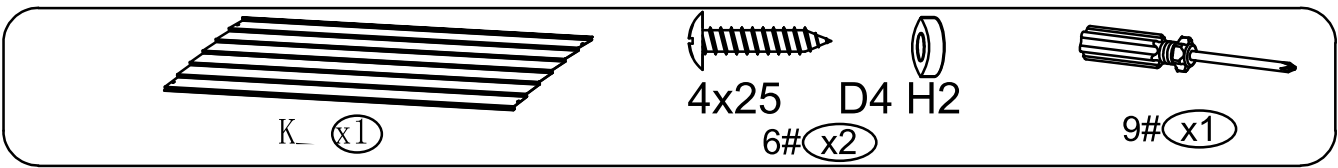
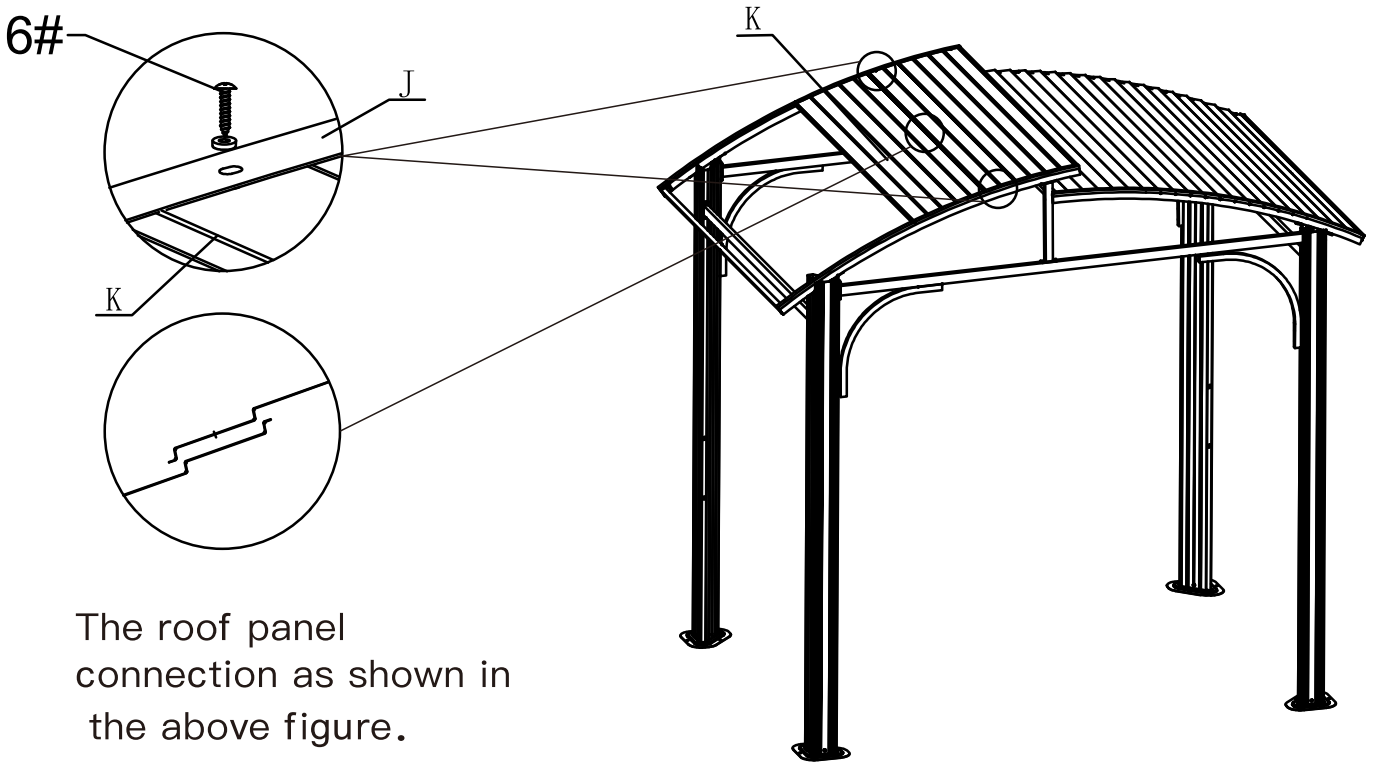
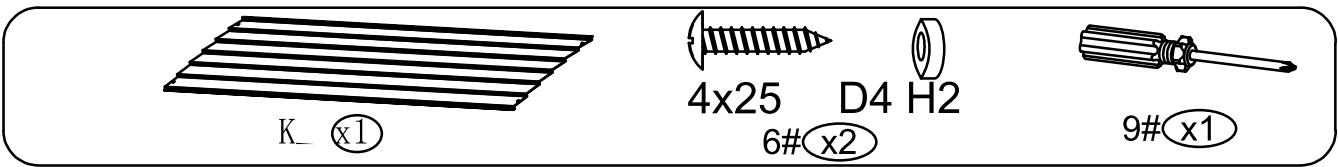
D4 H2

6# (x2)



9# (x1)







K (x1)



4x25 D4 H2

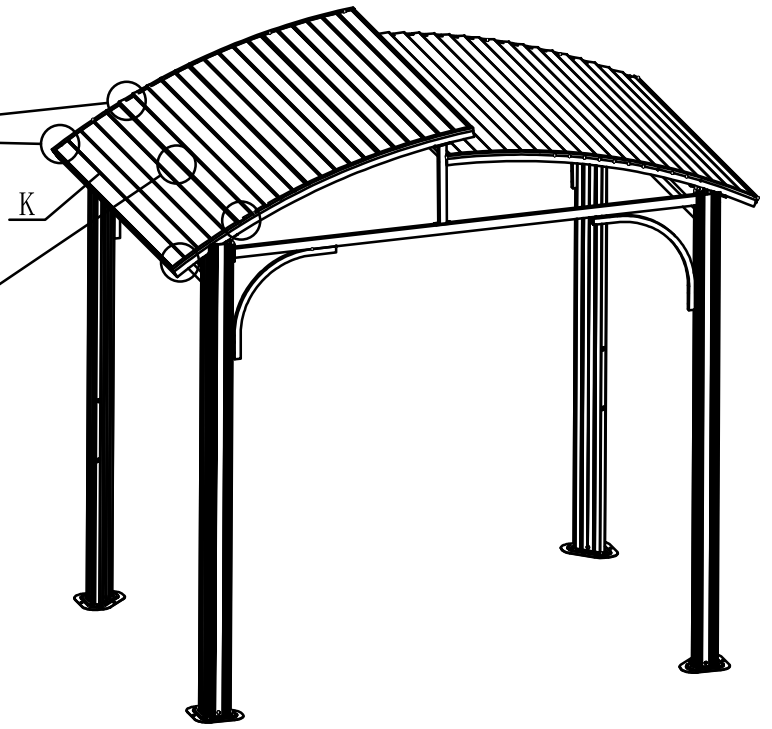
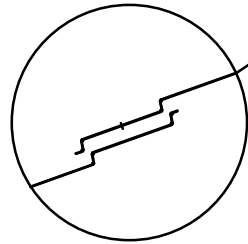
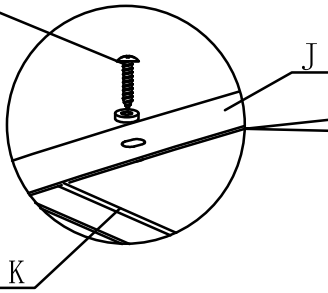


6# (x4)

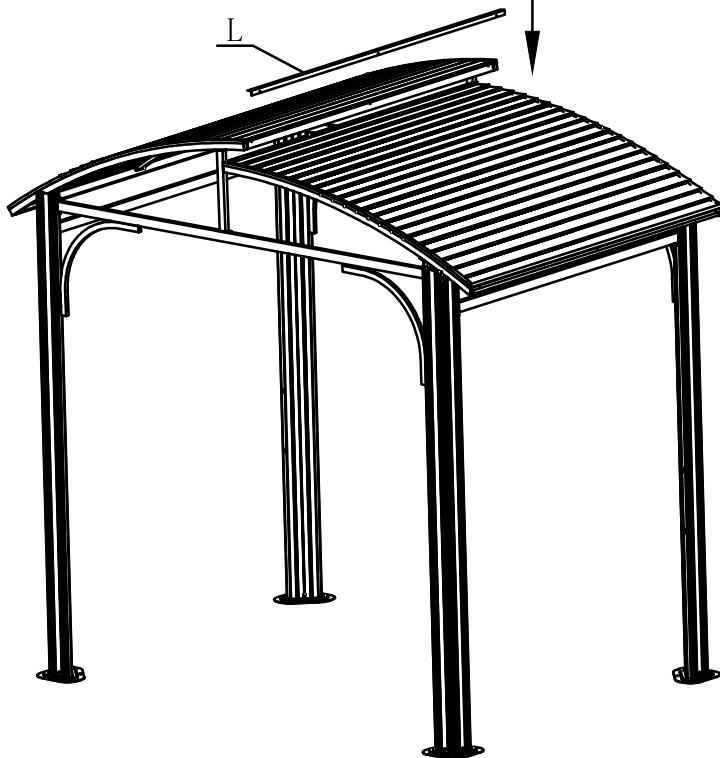


9# (x1)

6#



L (x1)



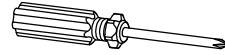


4x16

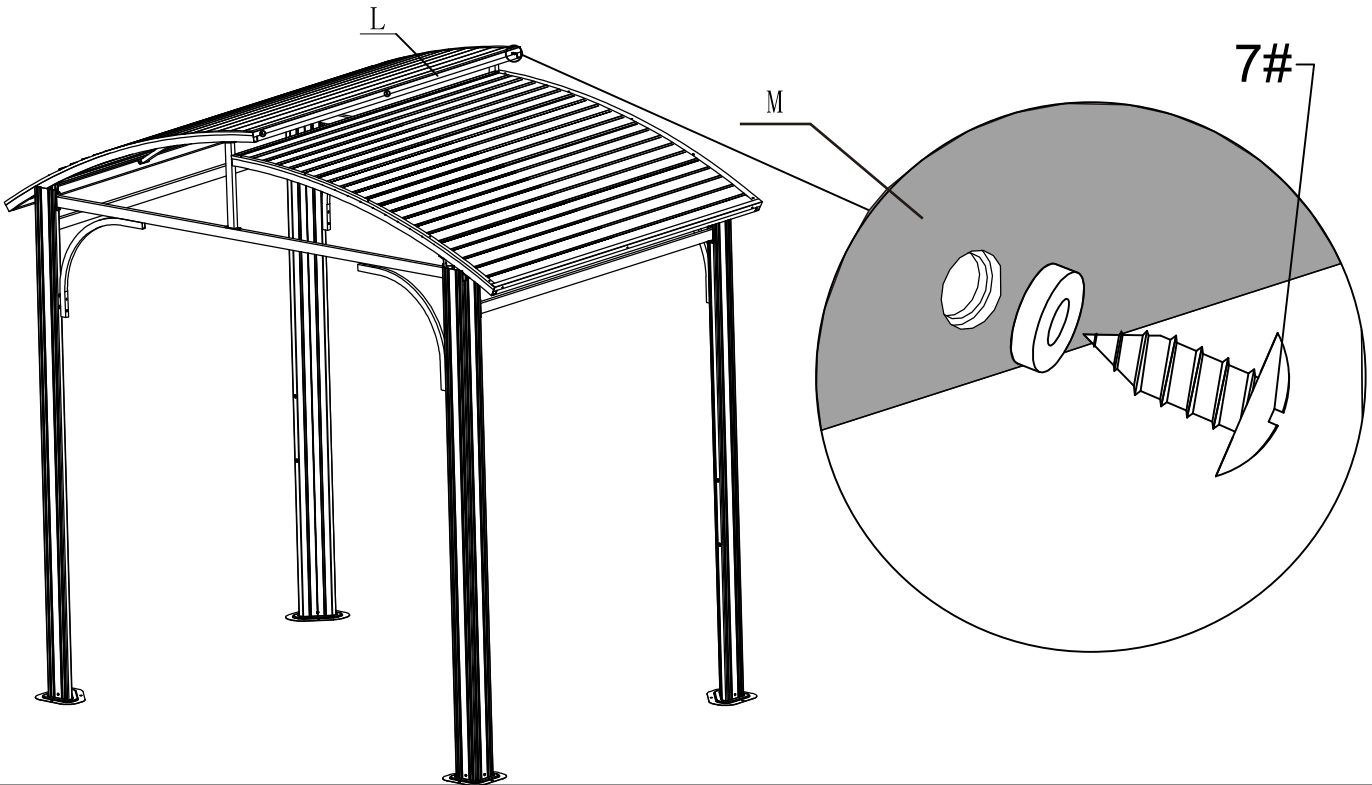


D4 H2

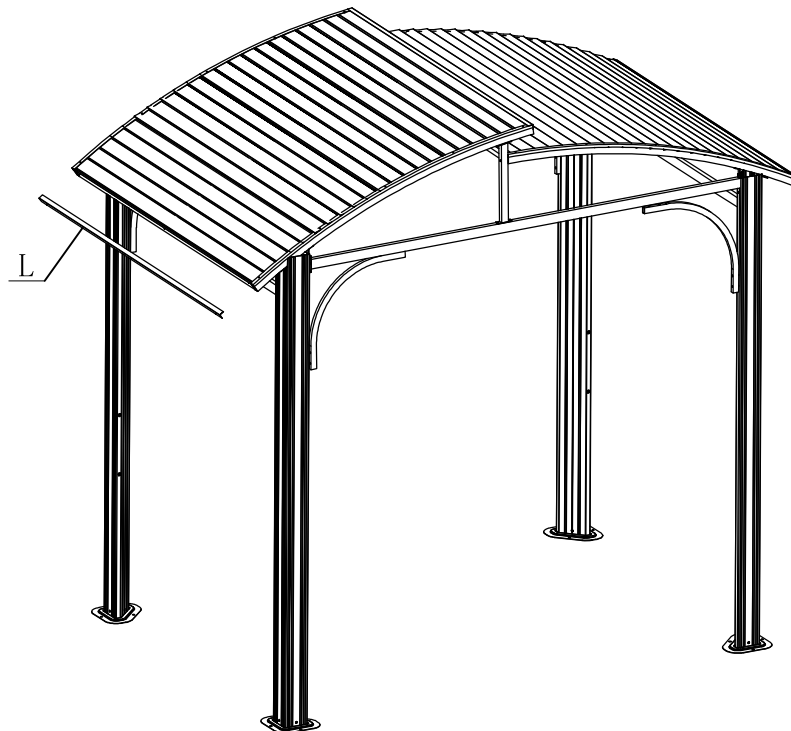
7# x3



9# x1



L x1



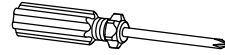


4x16

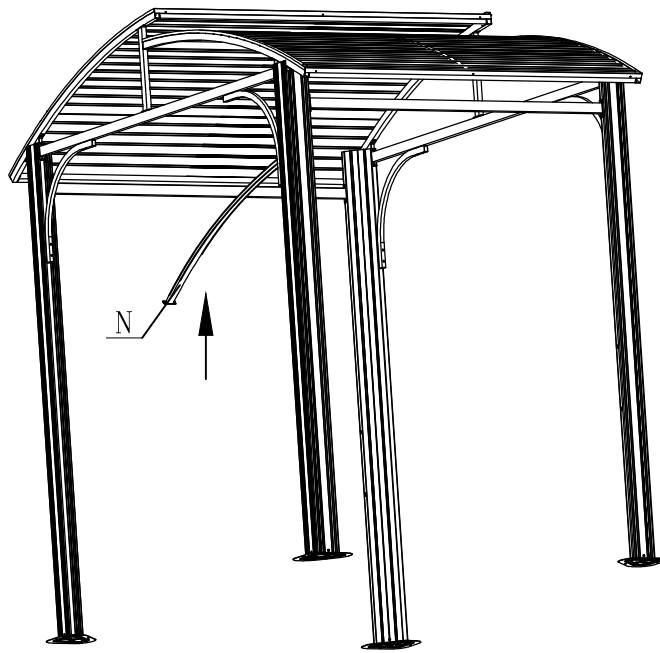
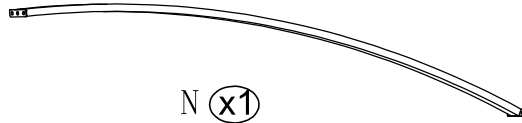
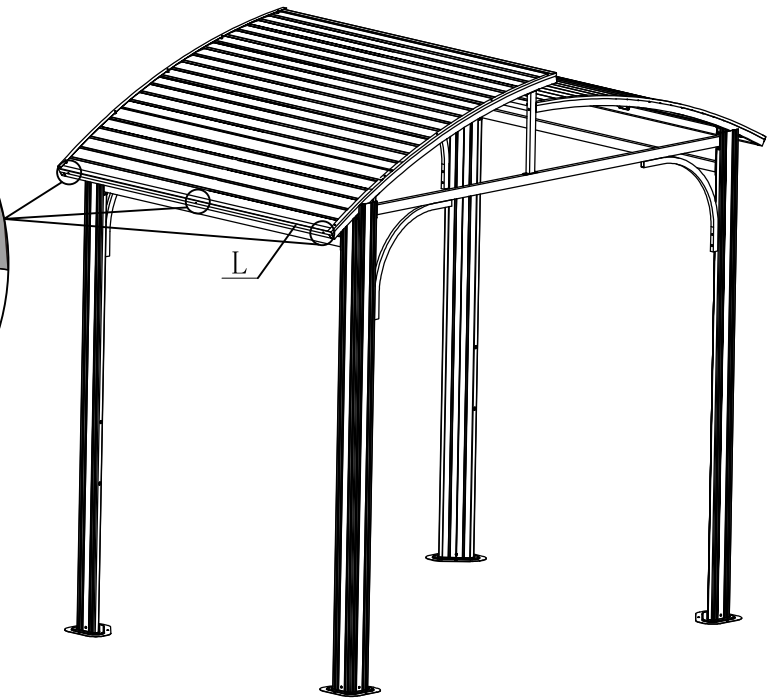
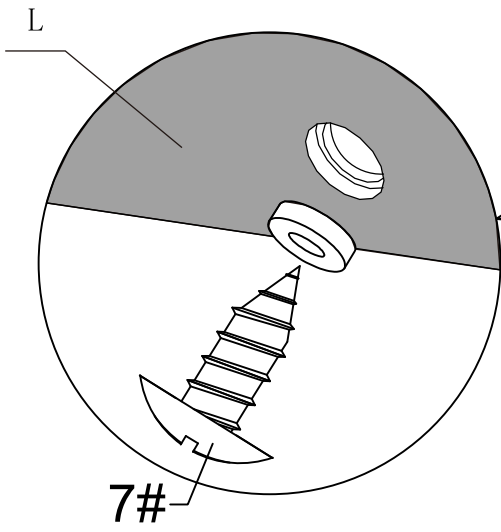


D4 H2

7# x3



9# x1

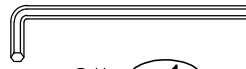


BOTTOM VIEW

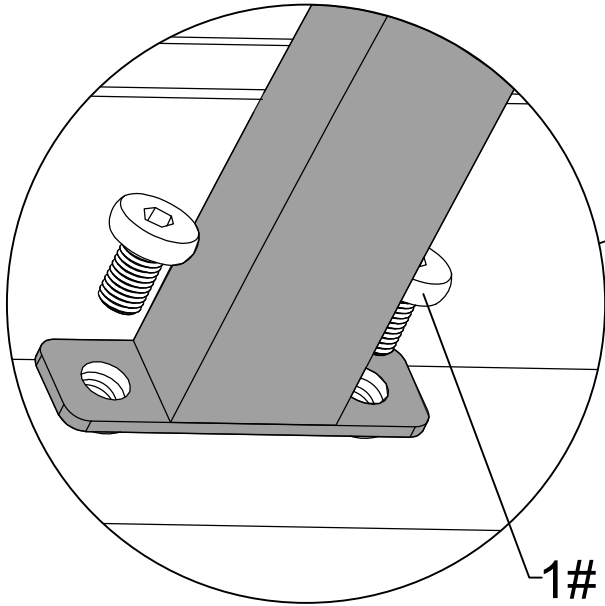


M6 × 16

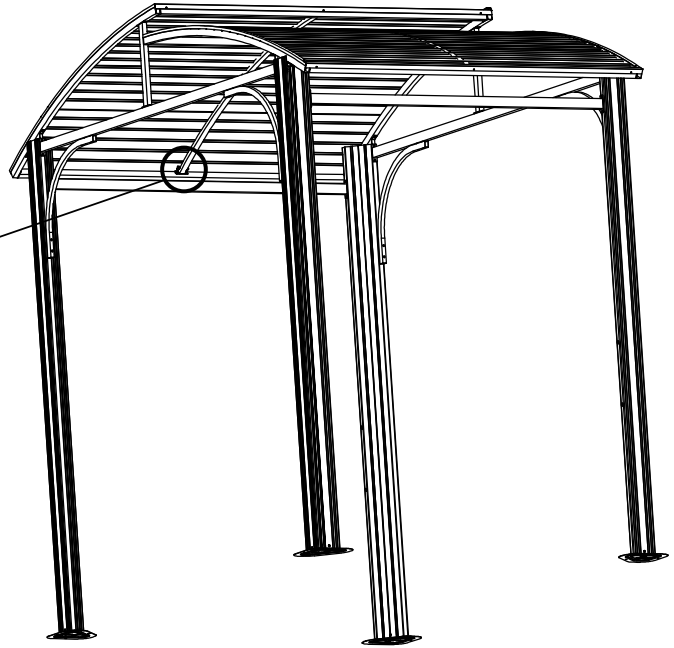
1# x2



8# x1



1#

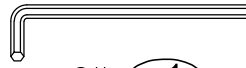


BOTTOM VIEW

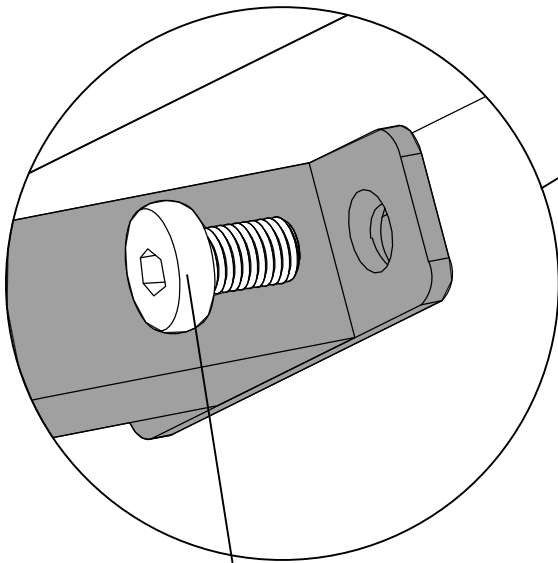


M6 × 16

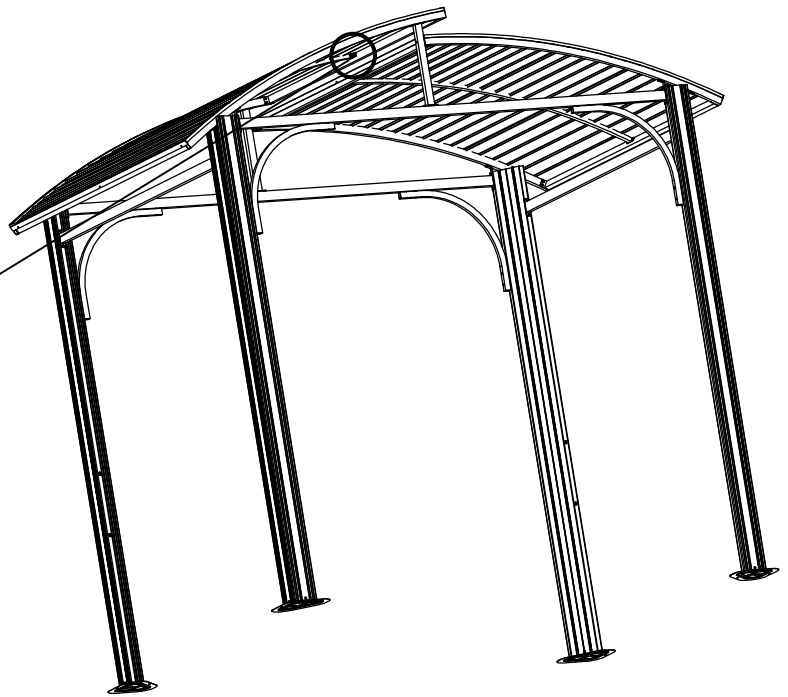
1# x2



8# x1

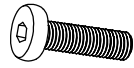


1#





P (x4)

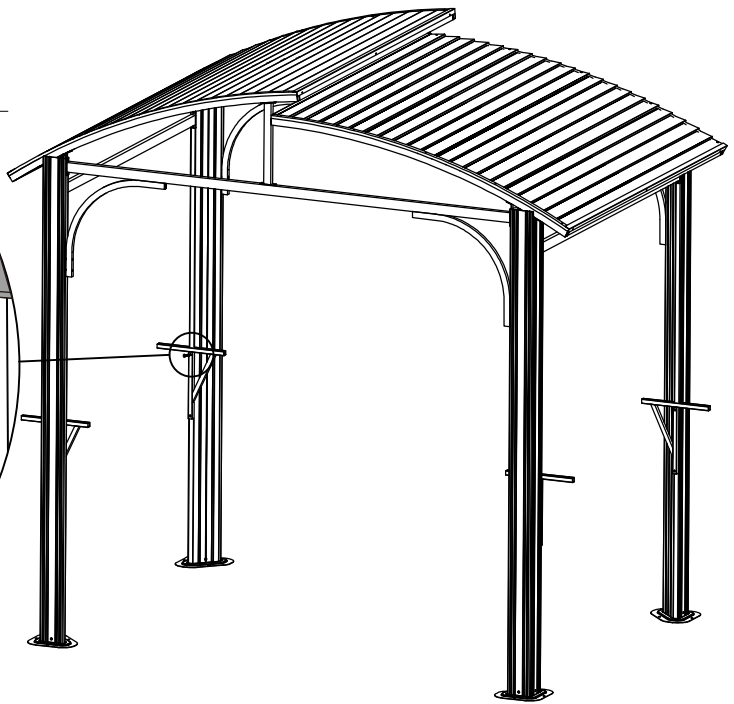
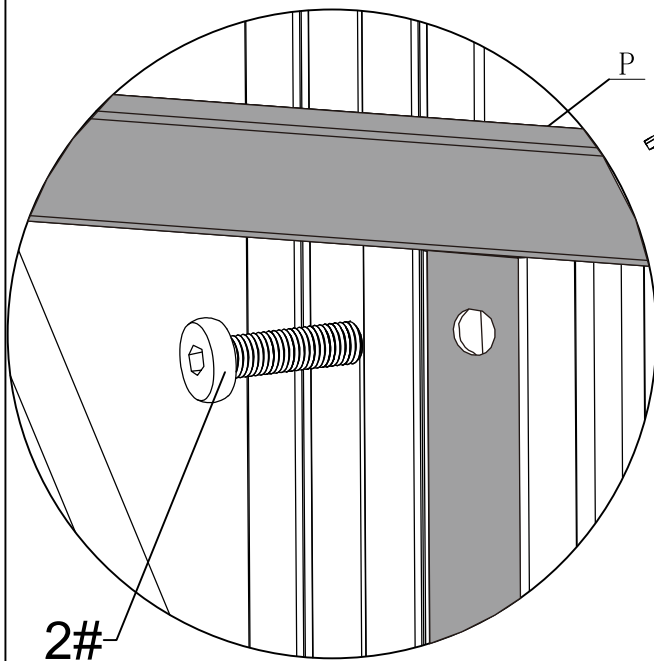
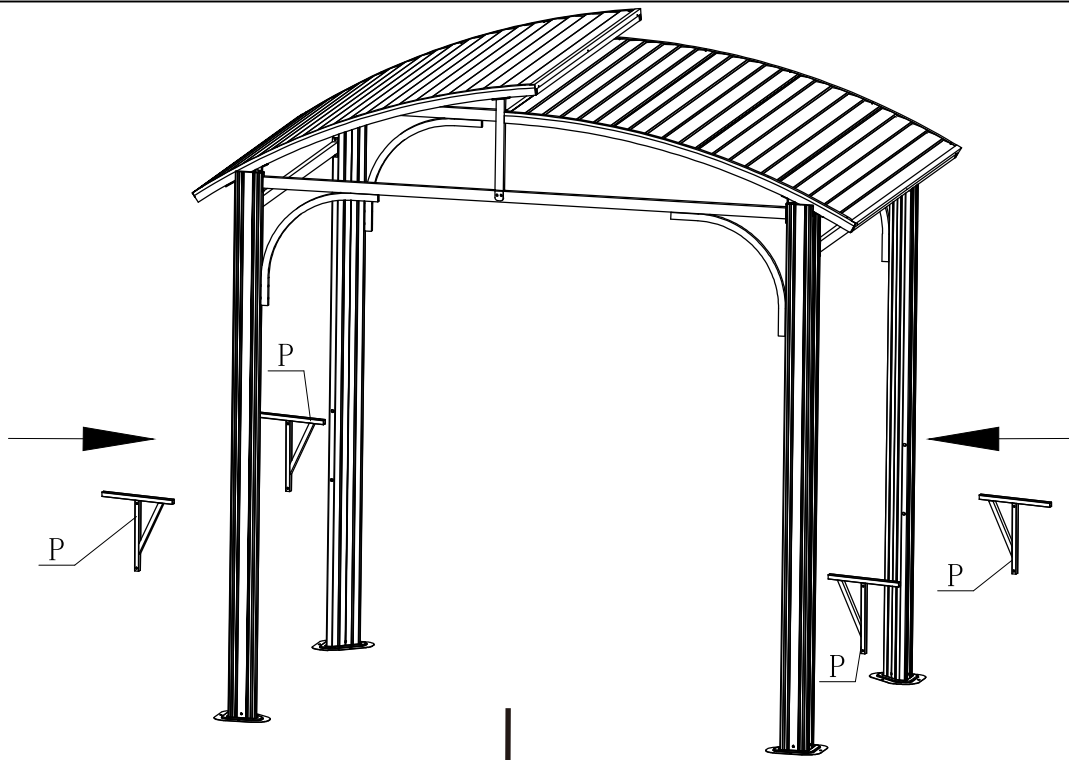


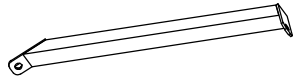
M6 x 30

2# (x4)



8# (x1)





Q (x4)

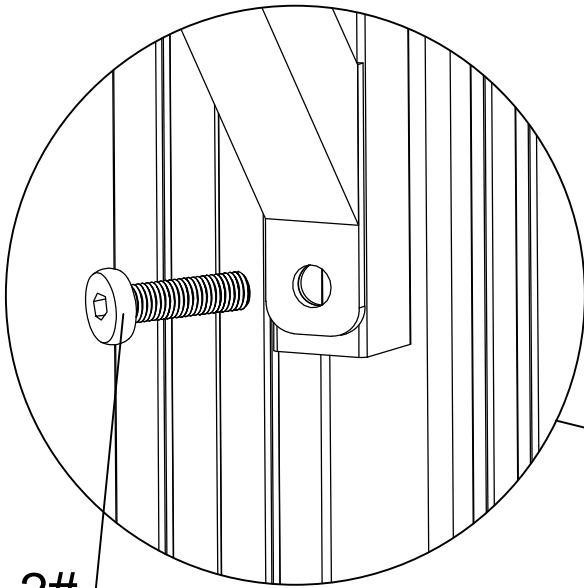


M6 x 30

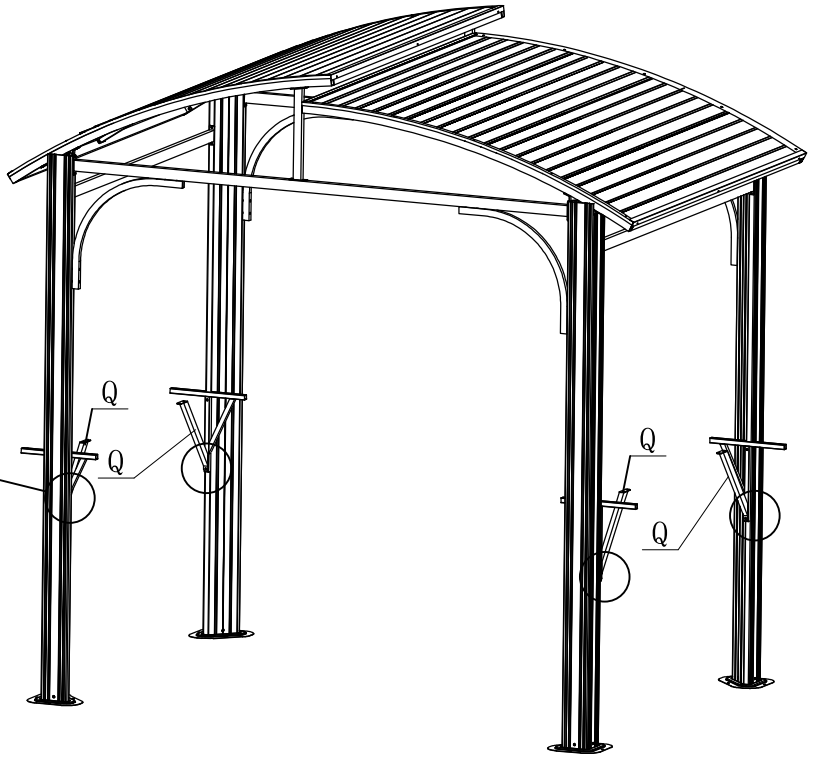
2# (x4)



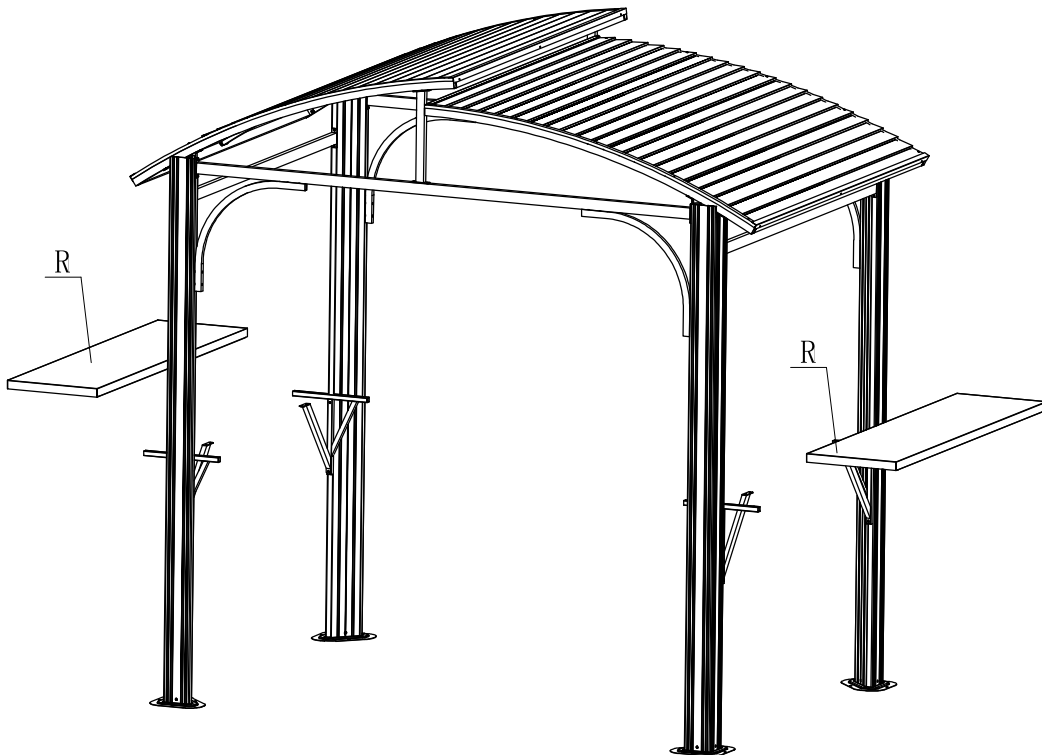
8# (x1)



2#



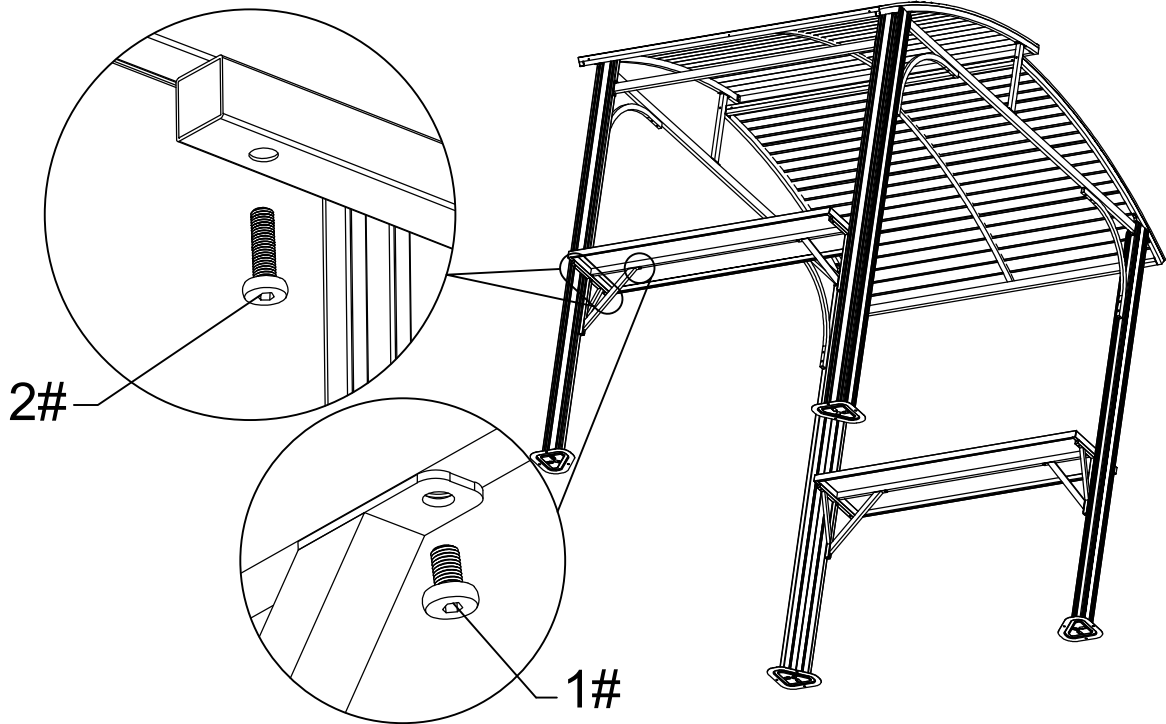
R (x2)



M6 × 30
2# (x8)

M6 × 16
1# (x4)

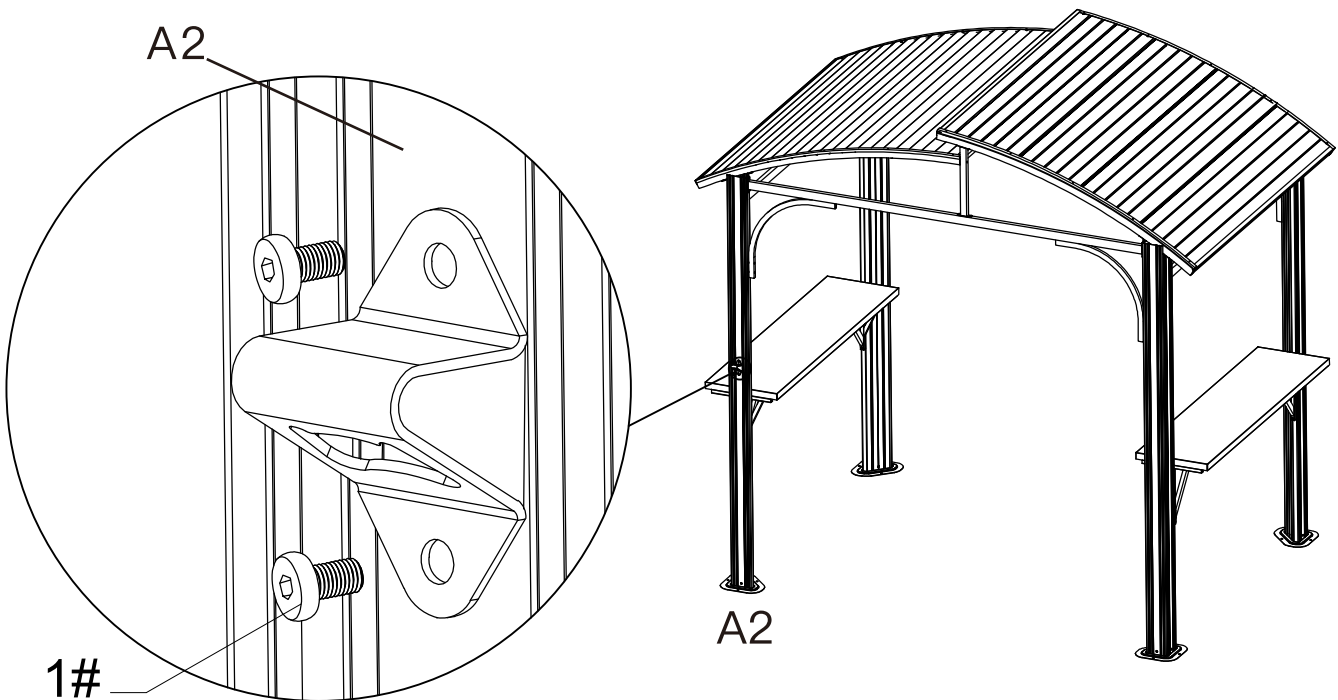
8# (x1)



M6 × 16
1# (x2)

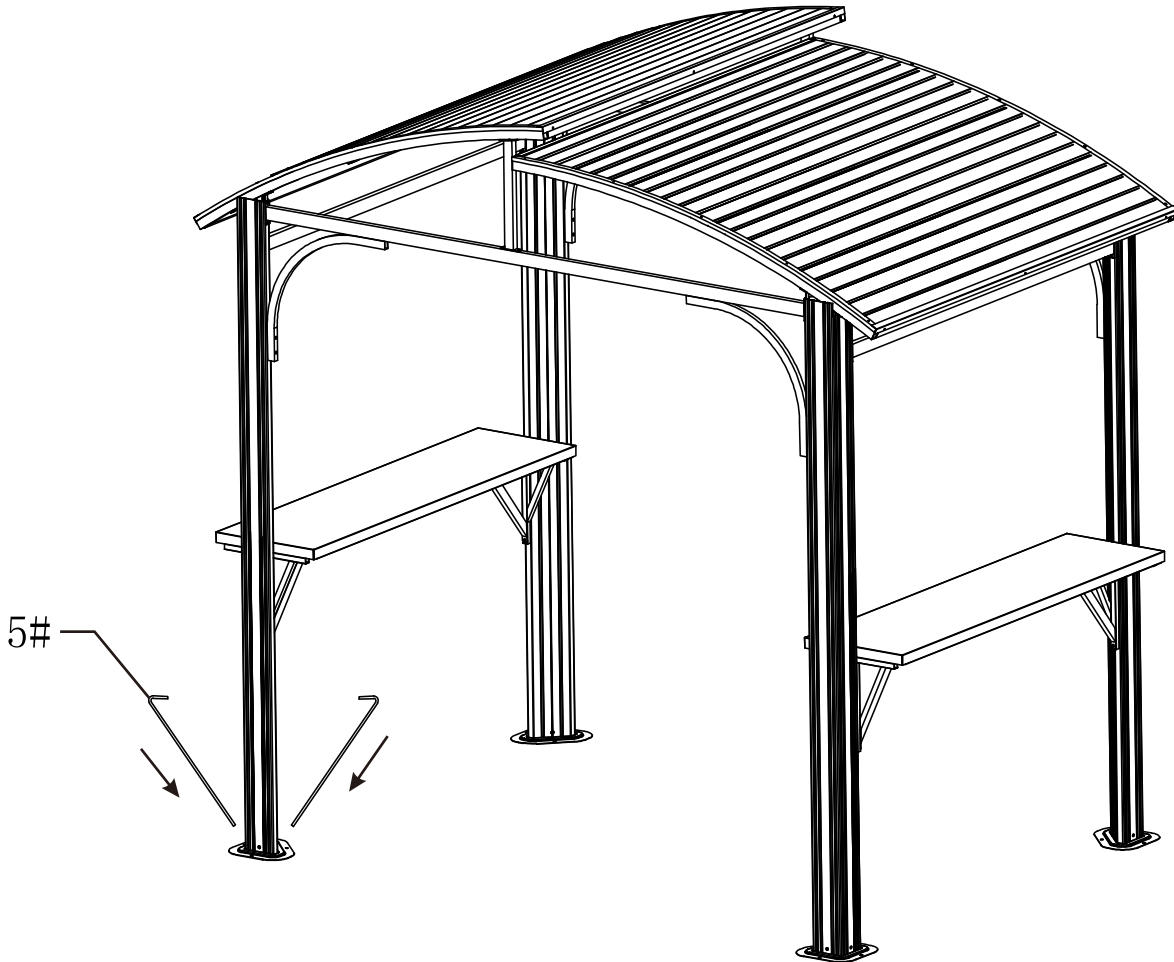
S (x1)

8# (x1)





5# (x8)



You can secure each base with 2 Post anchor to the soft ground as a temporary use.

▲ The anchor can not be used as expansion bolts which can stand against the strong wind.



Thanks for your purchase.

At domi outdoor living, we believe in our products.

That's why we provide a 12-month warranty and

friendly, easy-to-reach after-sales service. So if you

have any questions about our product and assembly-

,please feel free to contact us. We will be here for you.

Support:  

After-sales contact email:

service@domioutdoorliving.com

Business cooperation contact email:

marketing@domioutdoorliving.com

Please tell us your order ID when contact.

Attach photos of damaged part for instant reply.