

Assembly Instructions for LADDER BACK SIDE CHAIR DJX150SC

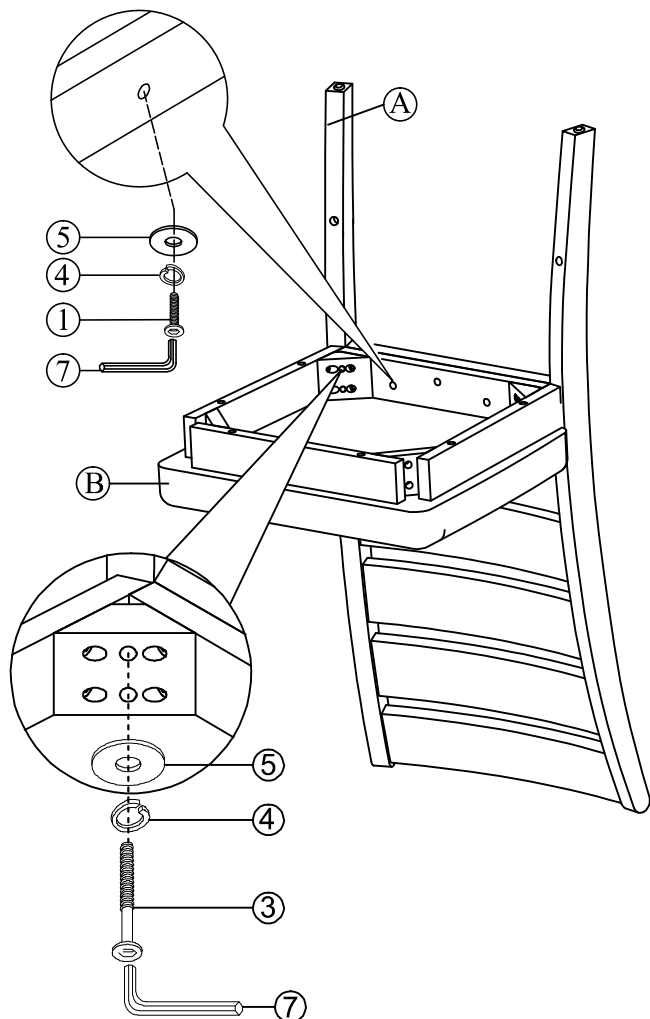
Caution: Please read instructions thoroughly before unpacking assembly parts. Sharp, exposed staple tips can cause injury, therefore, for your protection, please remove any exposed staples used in packing.

1. We recommend that you should assemble this product with the assistance of another person; this will make assembly easier, and will help to eliminate damage to the product or injury to persons during assembly.
2. Be sure to check all packing materials carefully for small parts that may have come loose inside the carton during shipment.
3. Please do not over tighten screws or bolts.
4. Please put all parts on a non-abrasive floor before assembly, and follow the assembly steps to assemble your newly purchased product correctly and efficiently.

PART LIST			
No.	PART DESC.	CODE.	Q'TY
A	Ladder Back Side Chair Back Frame	PDJX150SCBFR	1
B	Ladder Back Side Chair Seat Frame With Cushion	PDJX150SCSEA	1
C	Ladder Back Side Chair LSF / RSF Front Leg	PDJX150SCLEG	1 SET
D	Ladder LSF / RSF Side Stretcher	PDFN150CBNLR	1 SET

HARDWARE LIST				
No.		HARDWARE DESC	CODE.	Q'TY
1		Short bolt (1/4" x 38mm)	PDJX150SCHW	3
2		Bolt (1/4" x 60mm)		4
3		Long bolt (1/4" x 75mm)		4
4		Spring washer (1/4")		11
5		Flat washer (1/4")		11
6		Screw (#4 x 38mm)		4
7		Allen key		1

STEP:1



STEP:2

