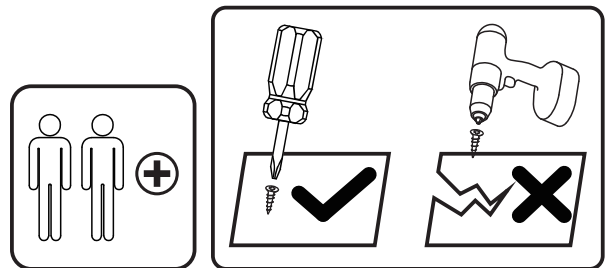
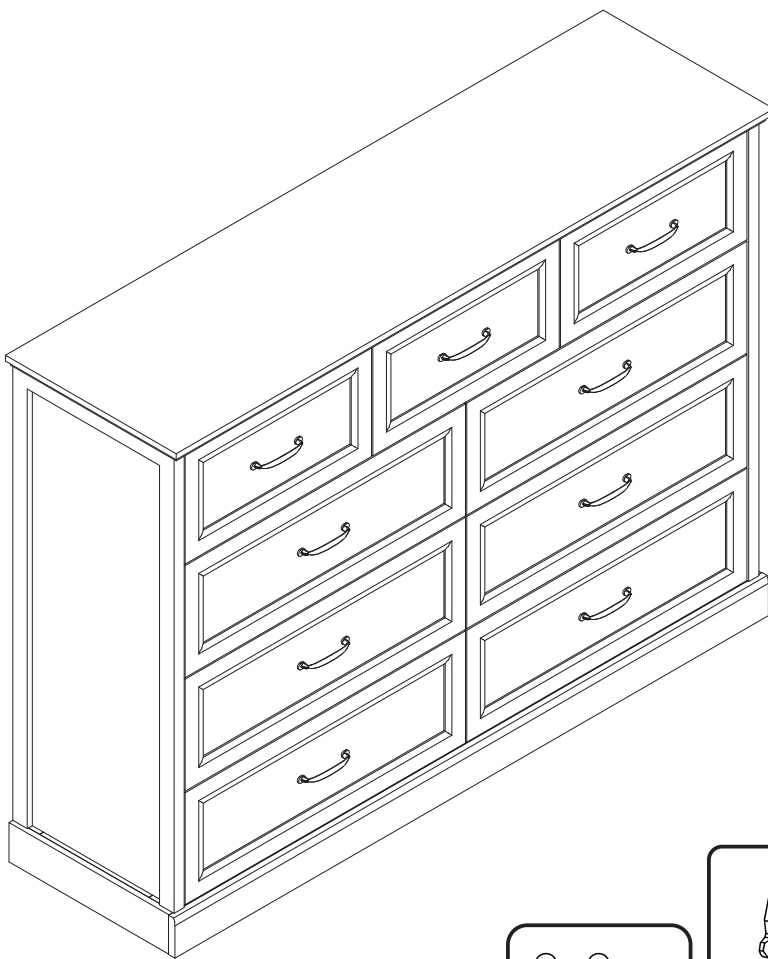


# ASSEMBLY INSTRUCTIONS



## Tools Recommended

THIS INSTRUCTIONS CONTAINS IMPORTANT SAFETY INFORMATION.  
PLEASE READ BEFORE ASSEMBLY AND KEEP FOR FUTURE REFERENCE.

# IMPORTANT NOTICE

-This product contains small components, please ensure that they are kept away from small children.

-THIS INSTRUCTIONS CONTAINS IMPORTANT SAFETY INFORMATION.  
PLEASE READ BEFORE ASSEMBLY AND KEEP FOR FUTURE REFERENCE.

-Read each step carefully. It is very important that each step of instruction is performed in the correct order. If these steps are not followed in sequence, assembly difficulties will occur.

-Make sure all parts are included. Most parts are labelled or stamped on the raw edge.

-Work in spacious area, preferably on a carpet, near the place the unit will be used.

-Do not use power tools to assemble your furniture. Power tools may strip or damage the parts.

-Move your new furniture carefully, with two people lift and carry the unit to it's new location.

-Never push, drag or pull your furniture (especially on carpet)

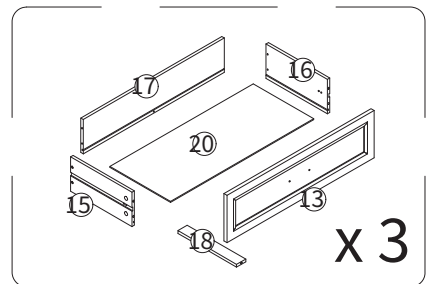
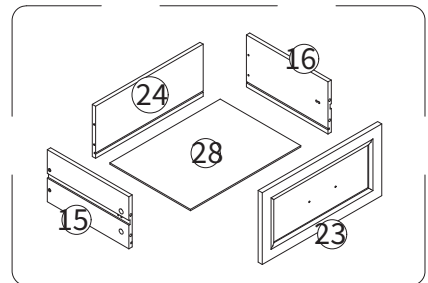
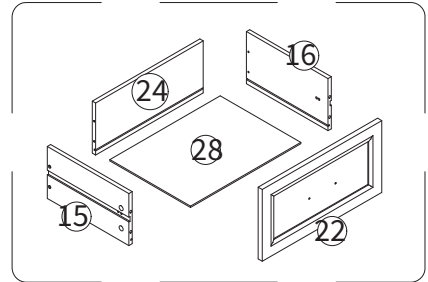
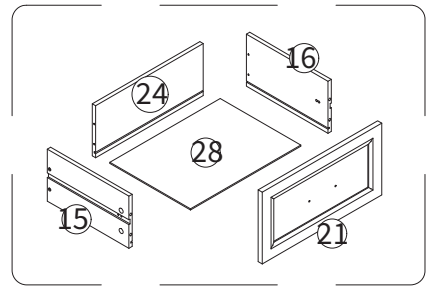
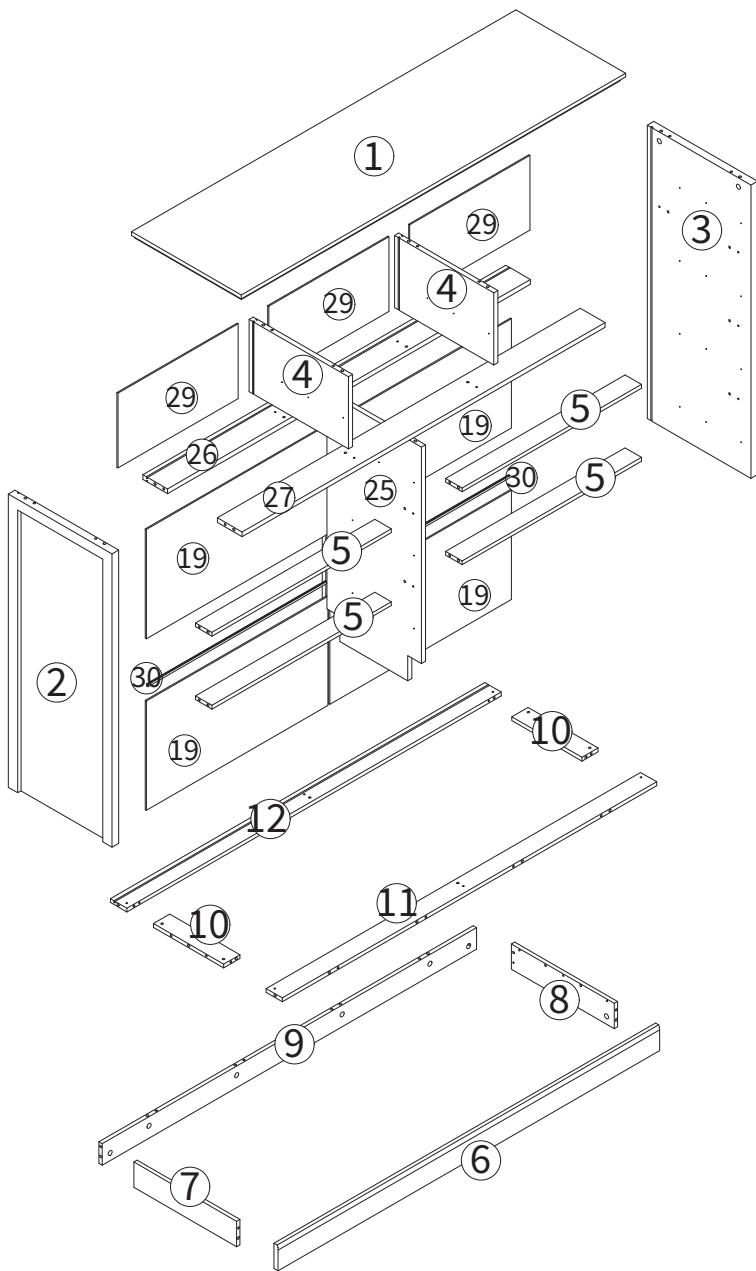


## PLEASE DO NOT RETURN PRODUCT TO US IMMEDIATELY

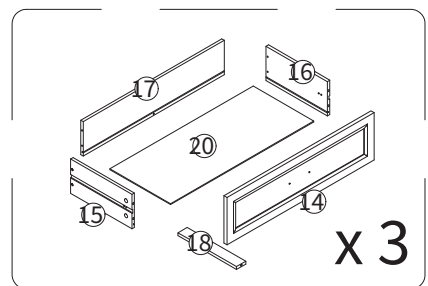
If a part is missing or damaged, email our customer service.  
We will gladly ship your replacement parts FREE of charge.

For Prompt, reliable service, please have your assemble instruction ready

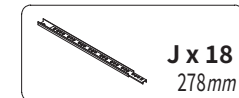
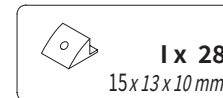
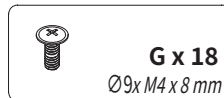
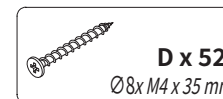
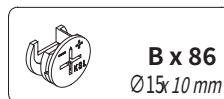
 <b>WARNING</b>	
	<b>Children have died from furniture tipover. To reduce the risk of furniture tipover:</b> <ul style="list-style-type: none"><li>• ALWAYS install anti-tip device provided.</li><li>• NEVER put a TV on this product.</li><li>• NEVER allow children to stand, climb or hang on any drawers, doors, or shelves.</li><li>• NEVER open more than one drawer at a time.</li><li>• Place heaviest items in the lowest drawers.</li></ul>
	<p>This is a permanent label. Do not remove!</p>



x 3

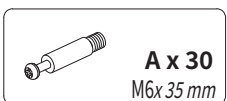
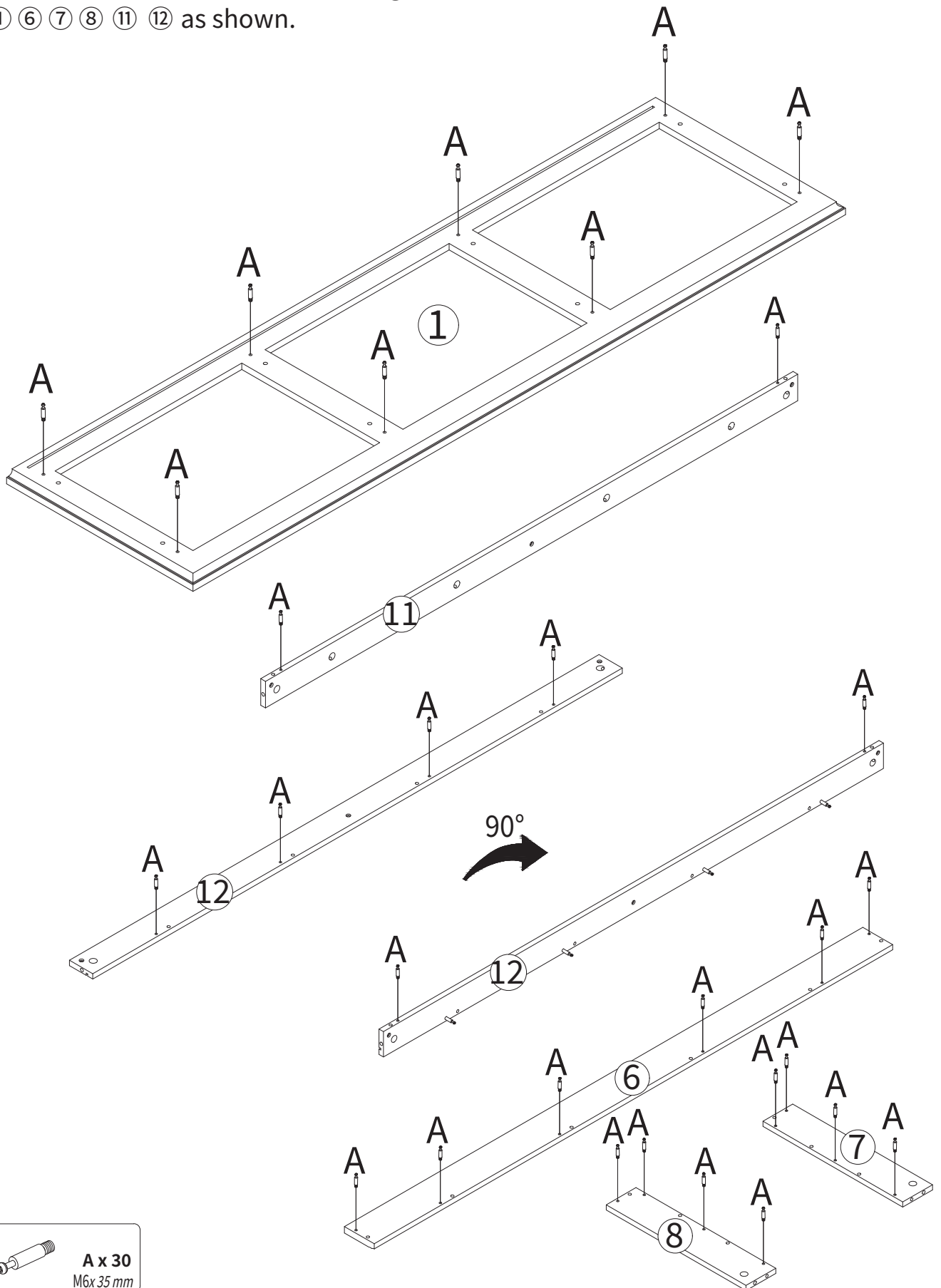


x 3



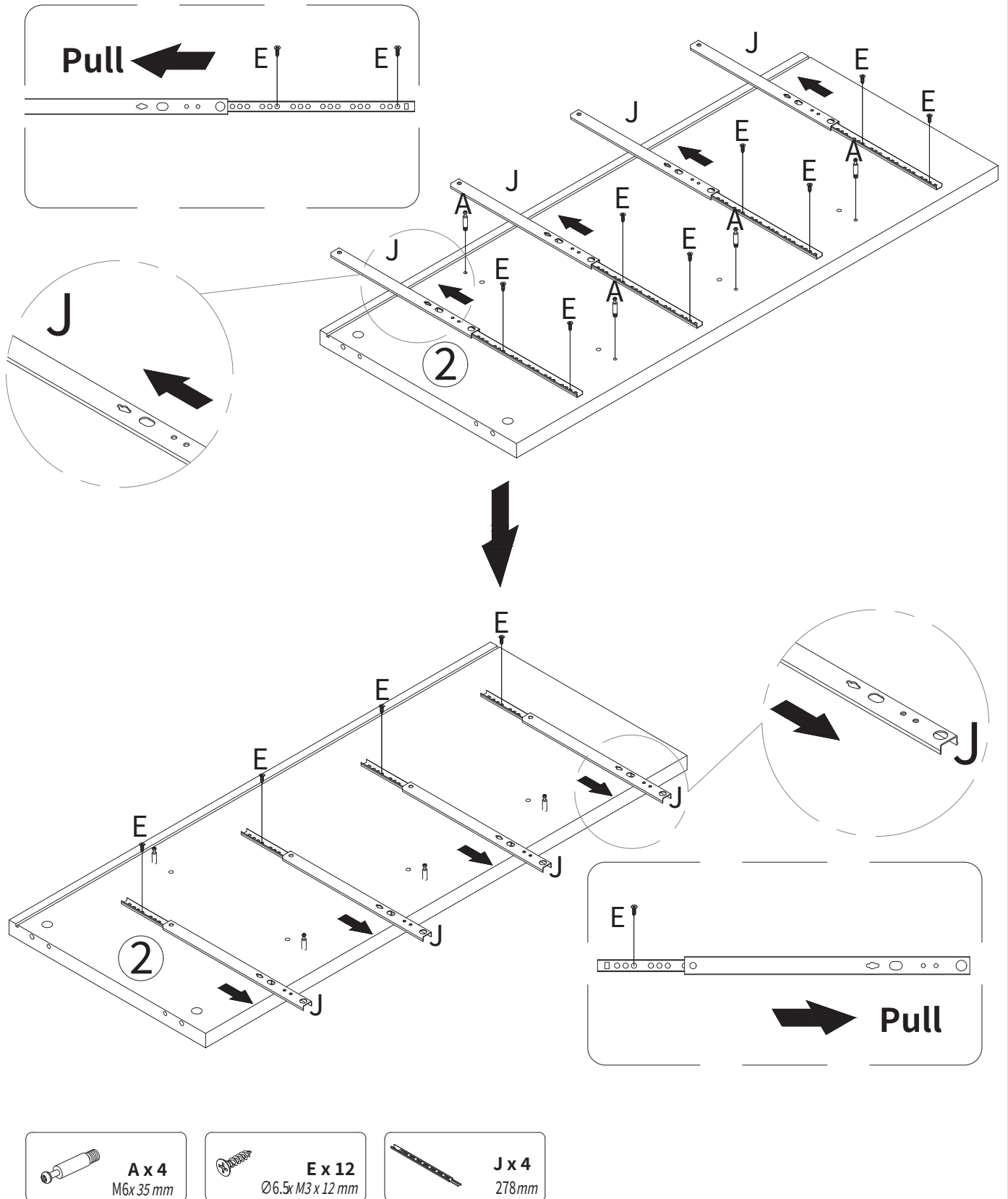
# Step 1

Insert screws(A) into corresponding holes in part  
① ⑥ ⑦ ⑧ ⑪ ⑫ as shown.



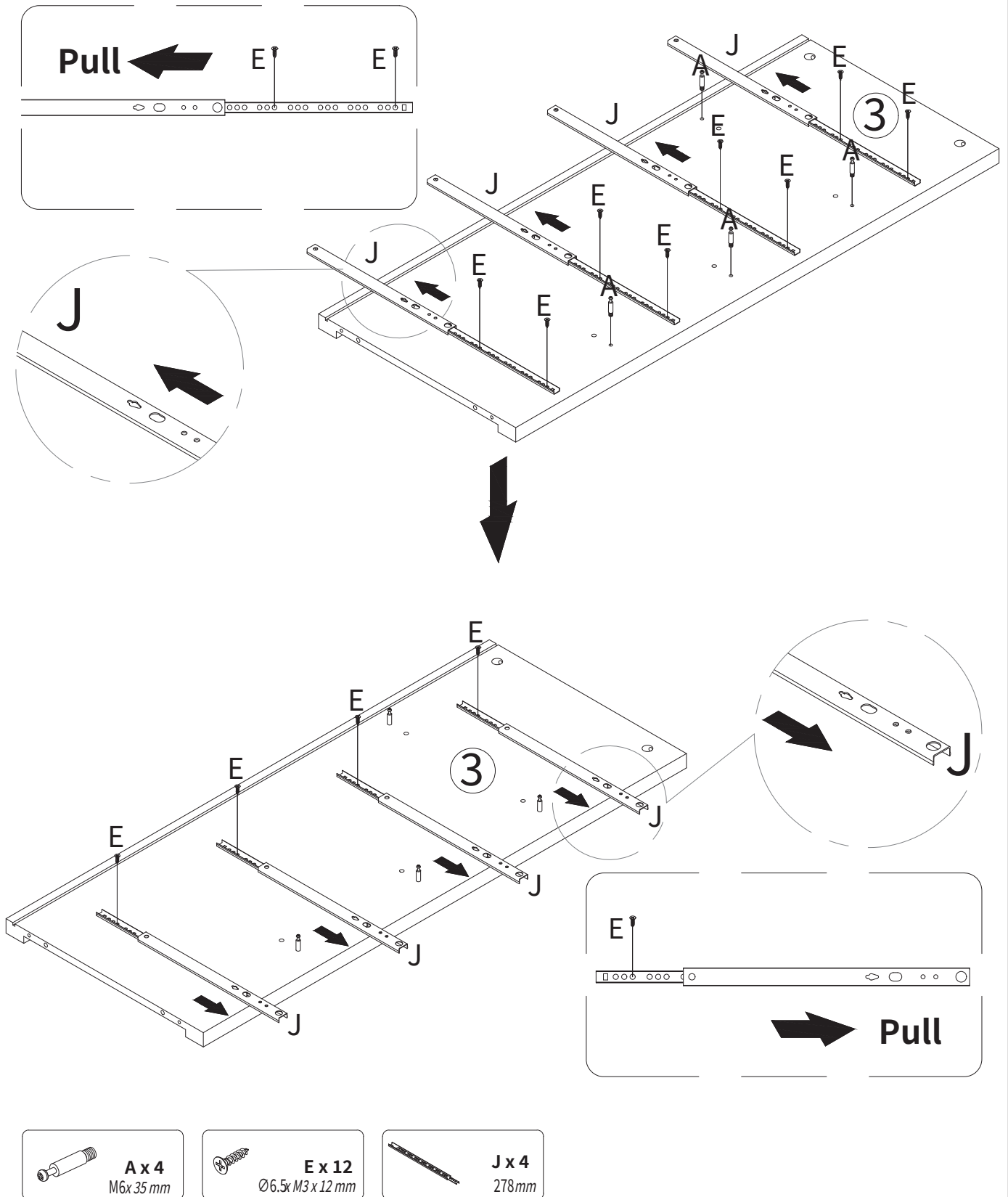
## Step 2

First, align the sliding-rail (J) with the pre-drilled holes on part ②, make sure the arrow on the sliding-rail points in the pulling direction, and then fix it with the two screws (E). Then pull the sliding-rail in the opposite direction and fix it with a screw (E). Insert screws (A) into corresponding holes in part ②. The diagram is shown as followed.



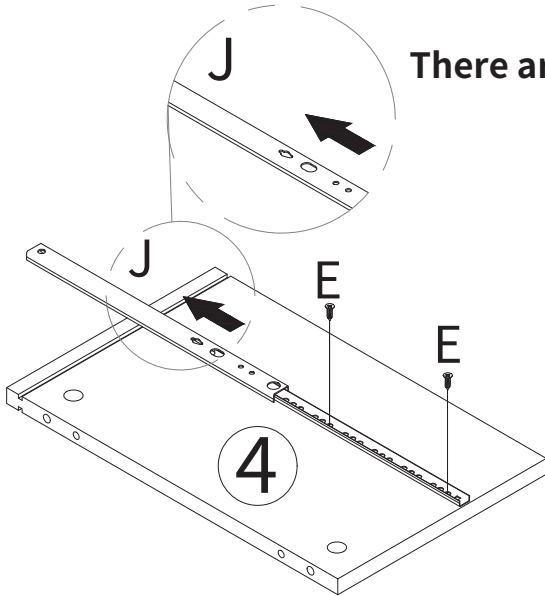
### Step 3

First, align the sliding-rail (J) with the pre-drilled holes on part ③, make sure the arrow on the sliding-rail points in the pulling direction, and then fix it with the two screws (E). Then pull the sliding-rail in the opposite direction and fix it with a screw (E). Insert screws (A) into corresponding holes in part ③. The diagram is shown as followed.

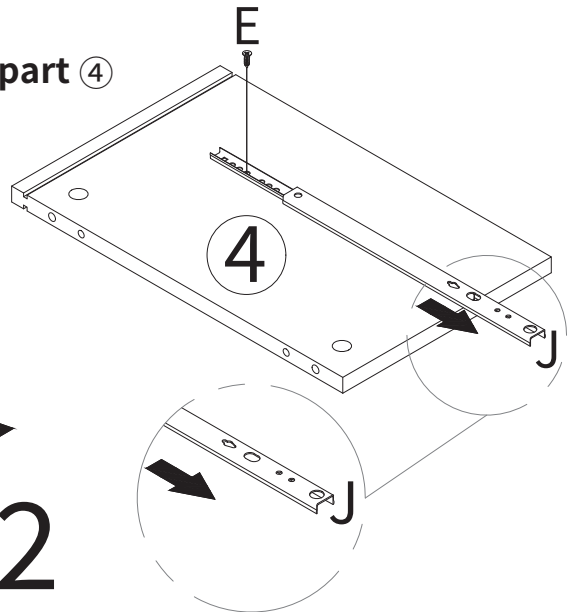


# Step 4

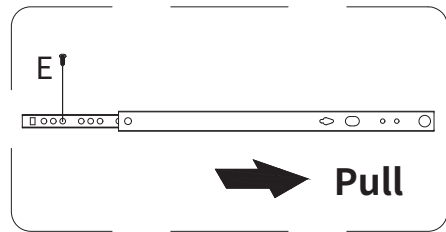
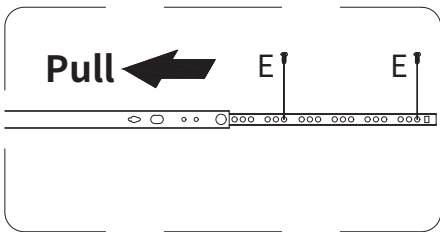
Lock the guide rail (J) to part ④ with screws (E) as shown. Turn part ④ 180 degrees as shown and repeat the above operation.



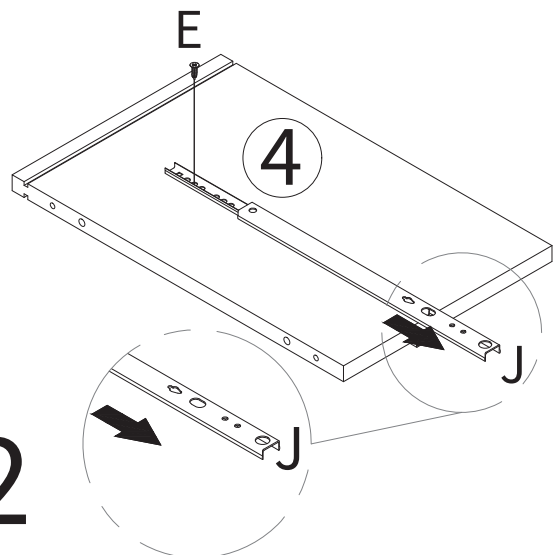
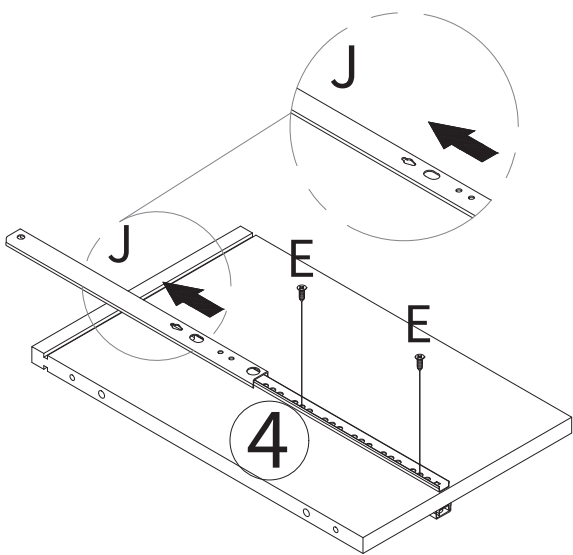
There are only two part ④



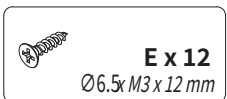
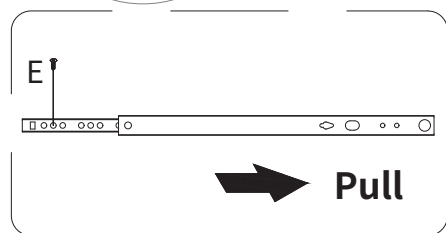
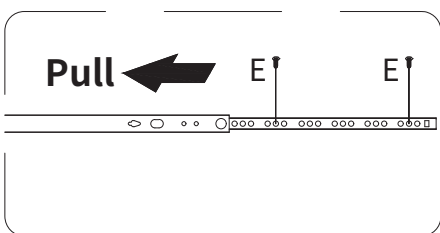
x 2



180°



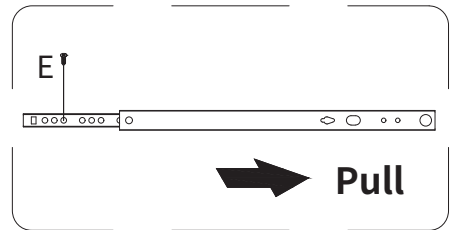
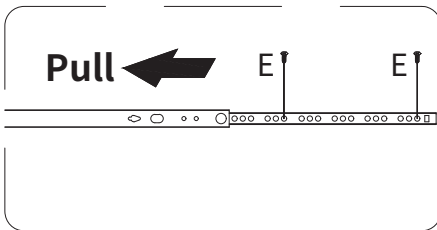
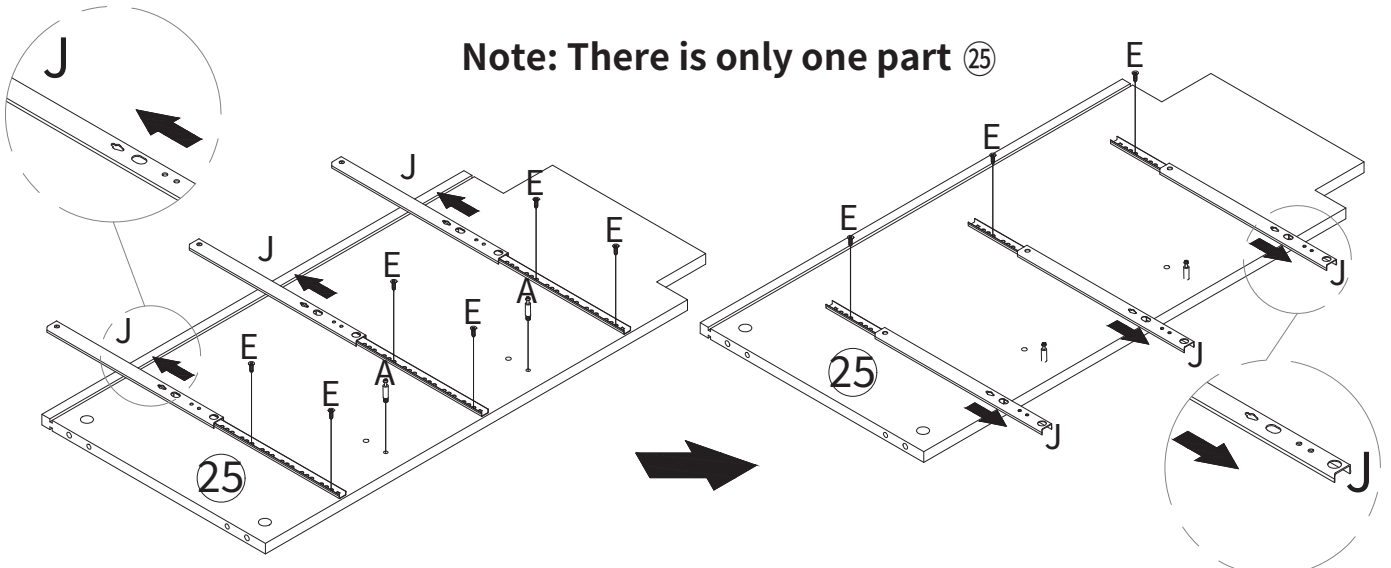
x 2



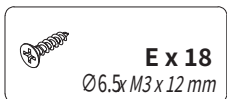
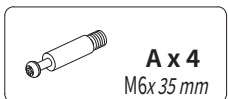
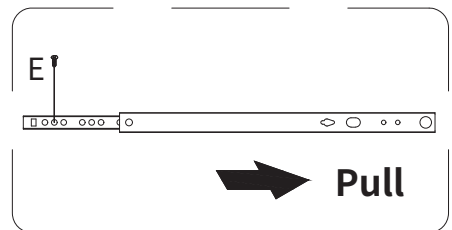
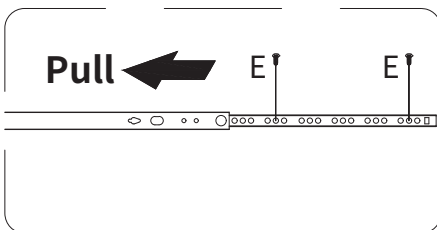
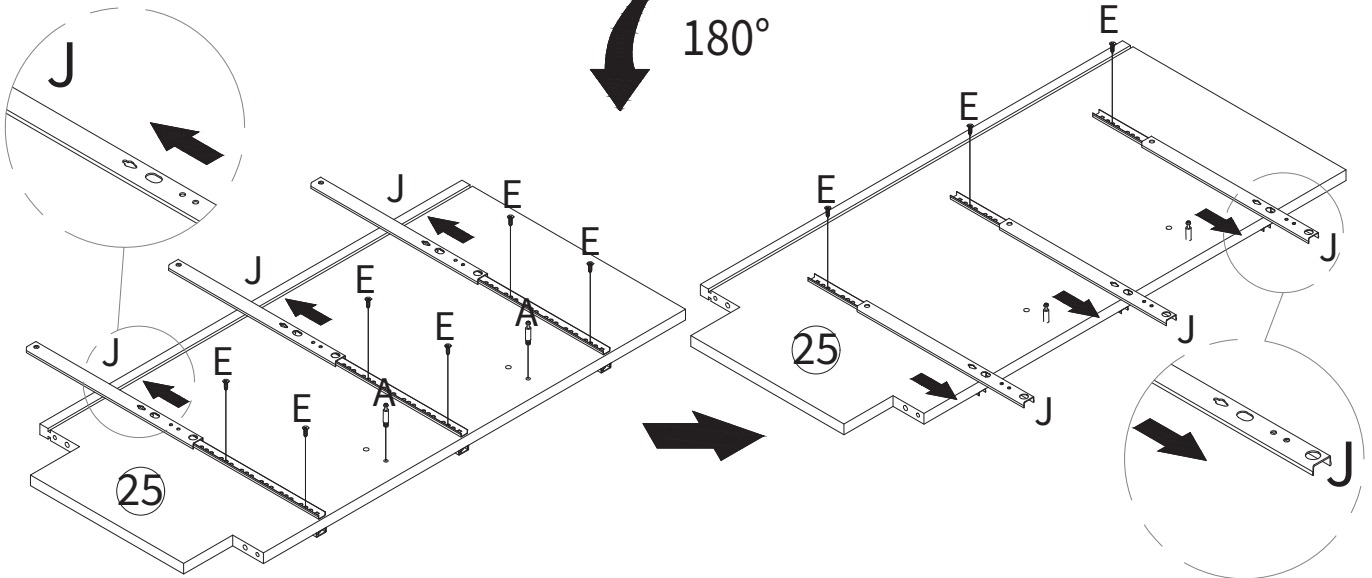
# Step 5

Lock the guide rail (J) and screw(A) to part 25 with screws (E) as shown. Turn part 25 180 degrees as shown and repeat the above operation.

**Note: There is only one part 25**

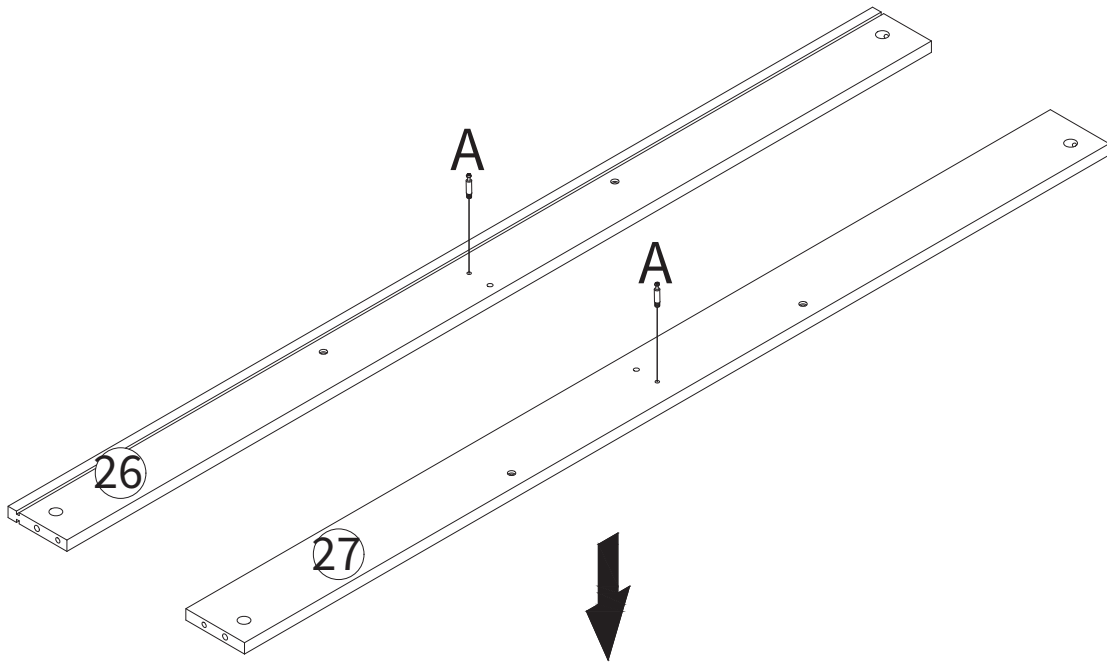


180°

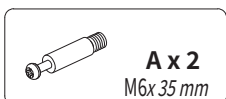
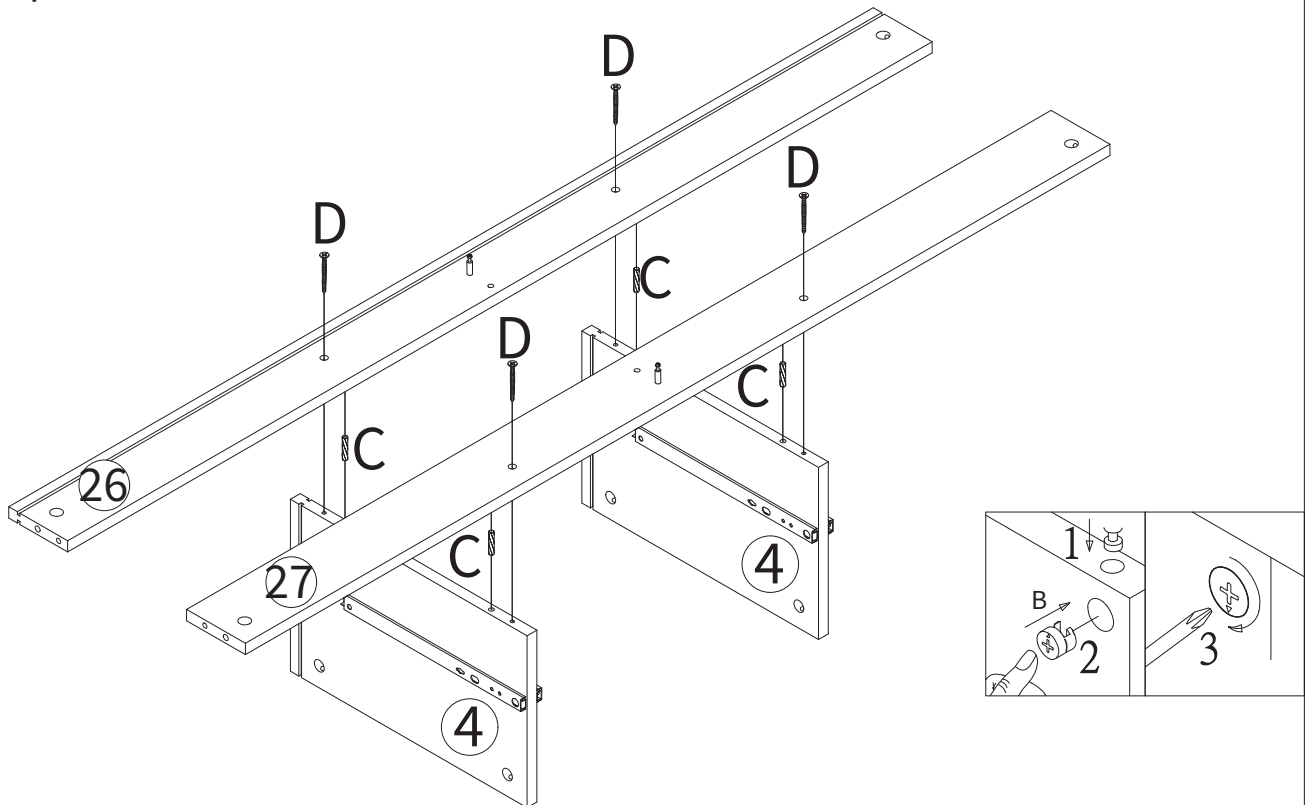


## Step 6

First lock the screw (A) to the part ②⑥ ②⑦ as shown.

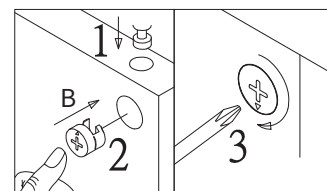
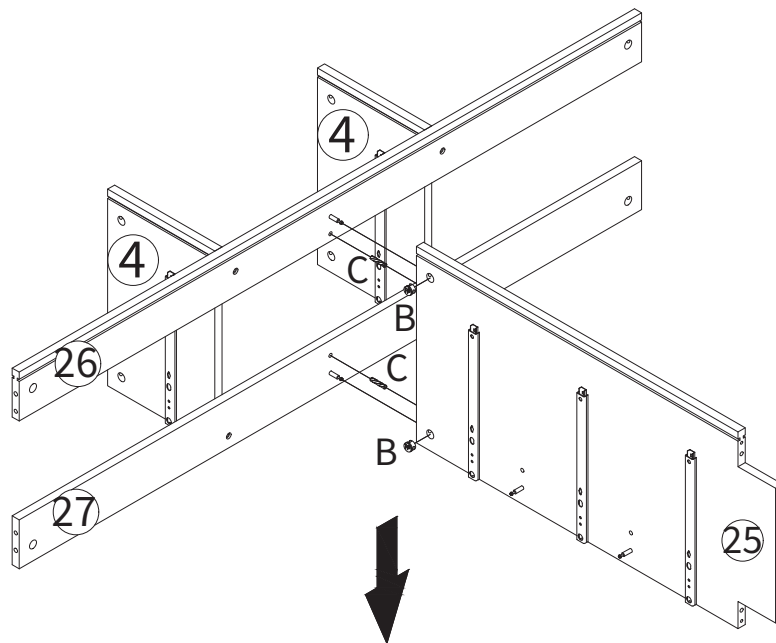


Insert wooden peg (C) on part ④. Use the screw (D) to assemble part ④ and part ②⑥ ②⑦.

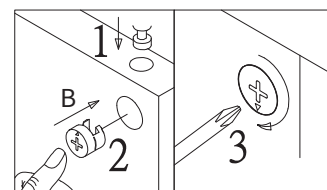
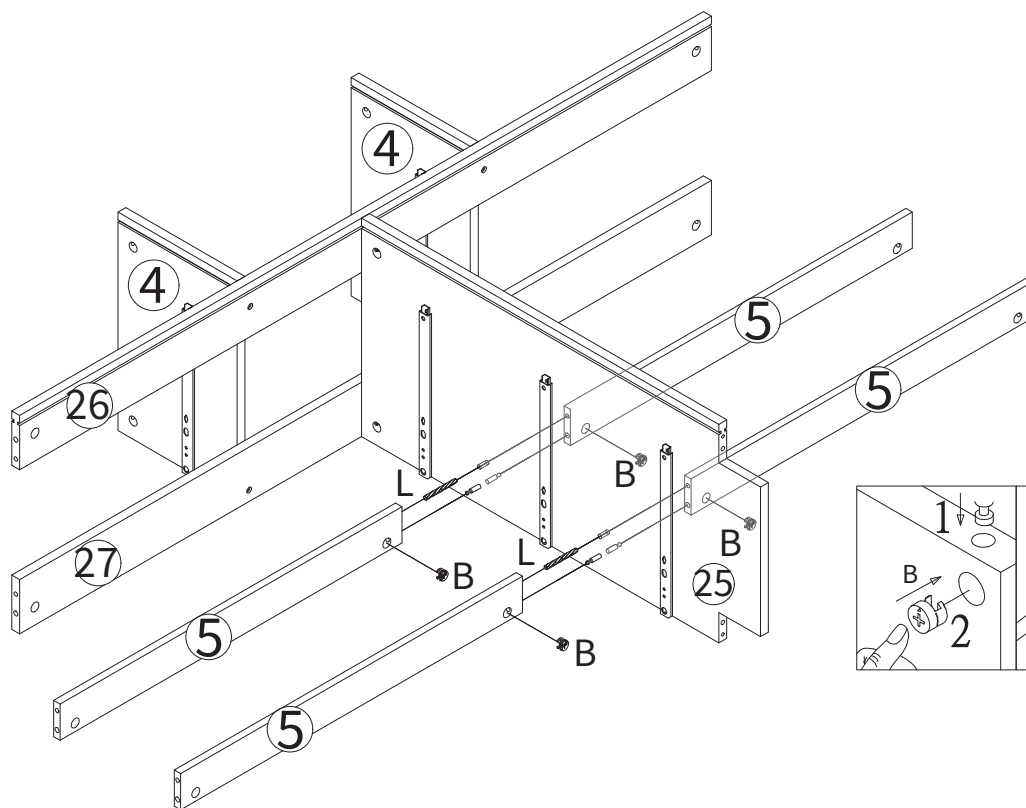


## Step 7

Insert wooden peg (C) on part ②⑥ ②⑦, connect part ②⑤ to part ②⑥ ②⑦ with eccentric wheels (B). Put the eccentric wheels(B) into the corresponding holes on part ②⑤ and use a screwdriver to turn it clockwise to tighten, the installation position is as shown.

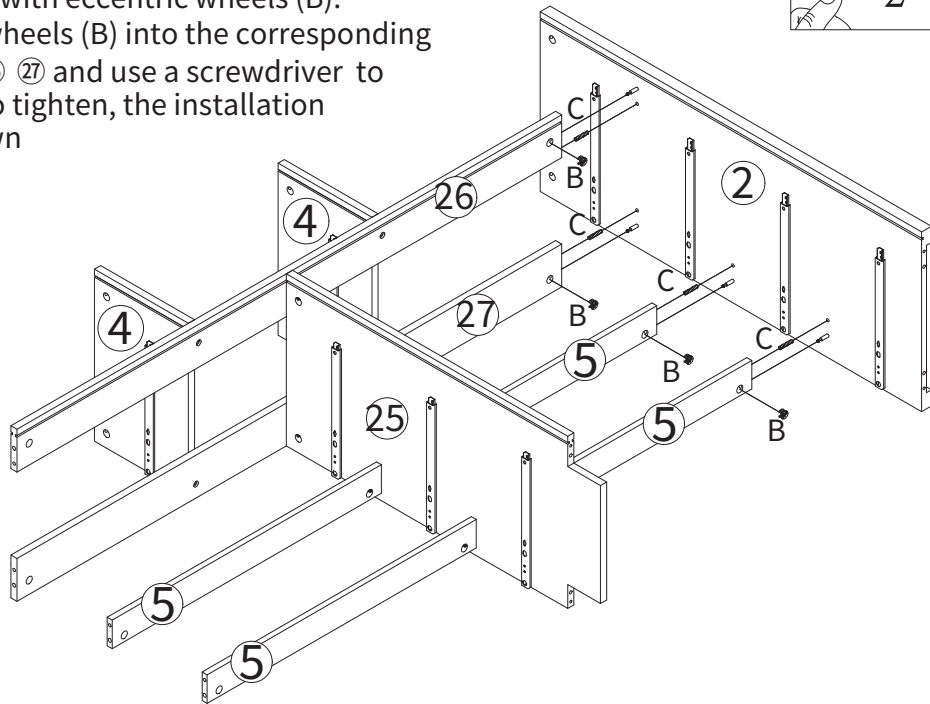
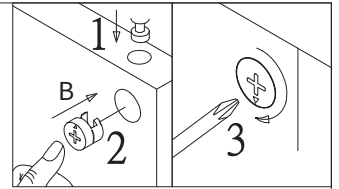


Insert wooden peg (L) on part ②⑤, connect part ②⑤ to part ②⑤ with eccentric wheels (B). Put the eccentric wheels(B) into the corresponding holes on part ②⑤ and use a screwdriver to turn it clockwise to tighten, the installation position is as shown.



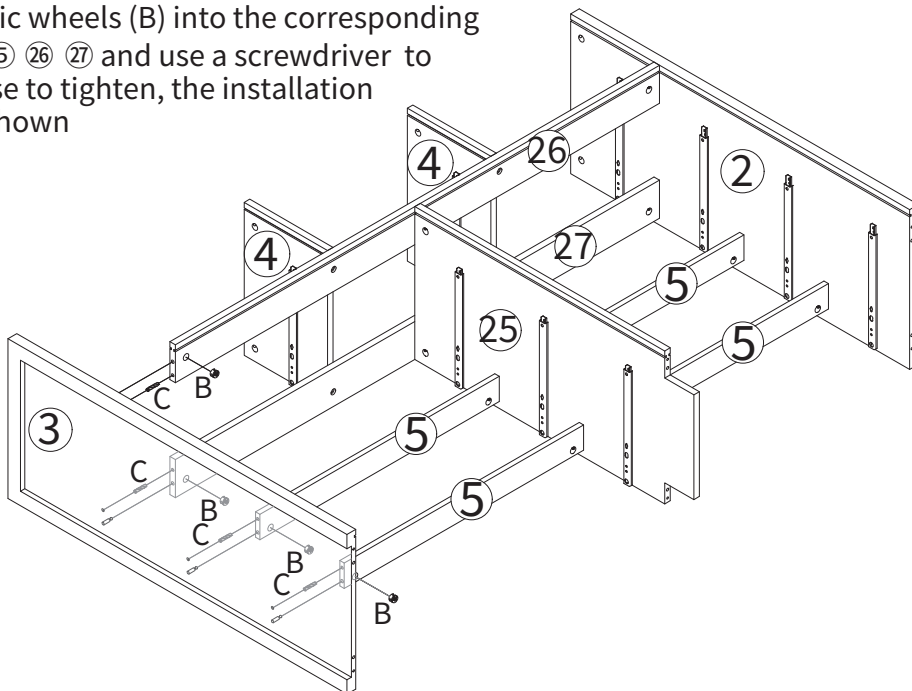
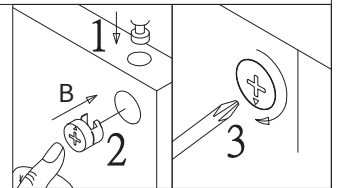
## Step 8

Insert wooden peg (C) on part ②, connect part ⑤ ②⑥ ②⑦ to part ② with eccentric wheels (B). Put the eccentric wheels (B) into the corresponding holes on part ⑤ ②⑥ ②⑦ and use a screwdriver to turn it clockwise to tighten, the installation position is as shown



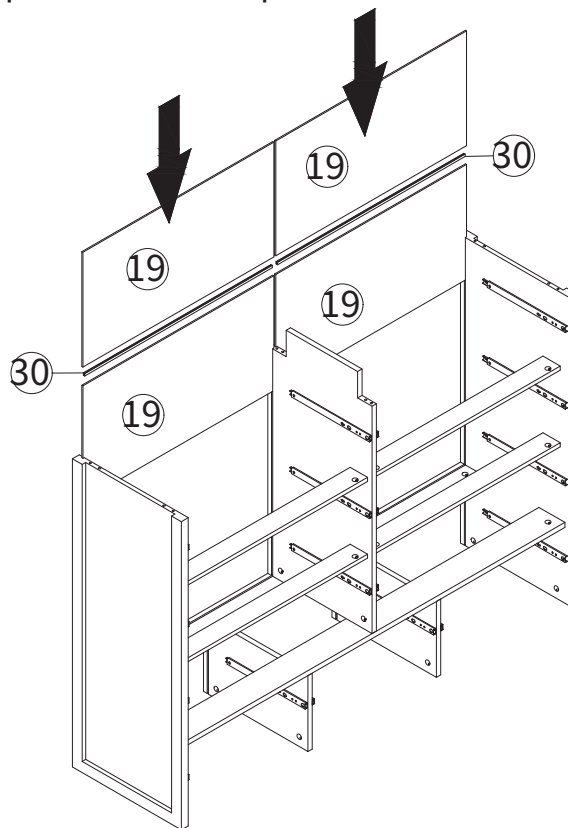
## Step 9

Insert wooden peg (C) on part ②, connect part ⑤ ②⑥ ②⑦ to part ② with eccentric wheels (B). Put the eccentric wheels (B) into the corresponding holes on part ⑤ ②⑥ ②⑦ and use a screwdriver to turn it clockwise to tighten, the installation position is as shown



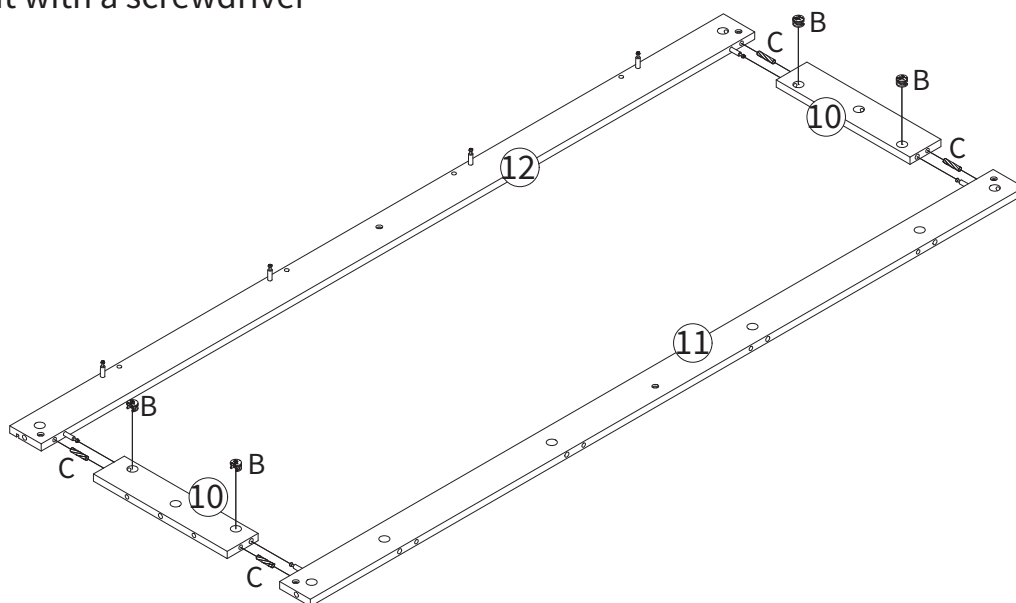
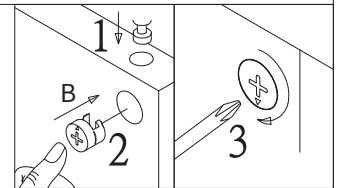
## Step 10

Turn the cabinet upside down and put 19 and 30 in alternately



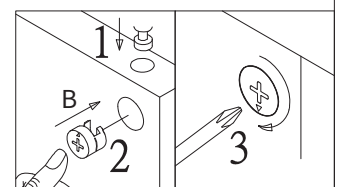
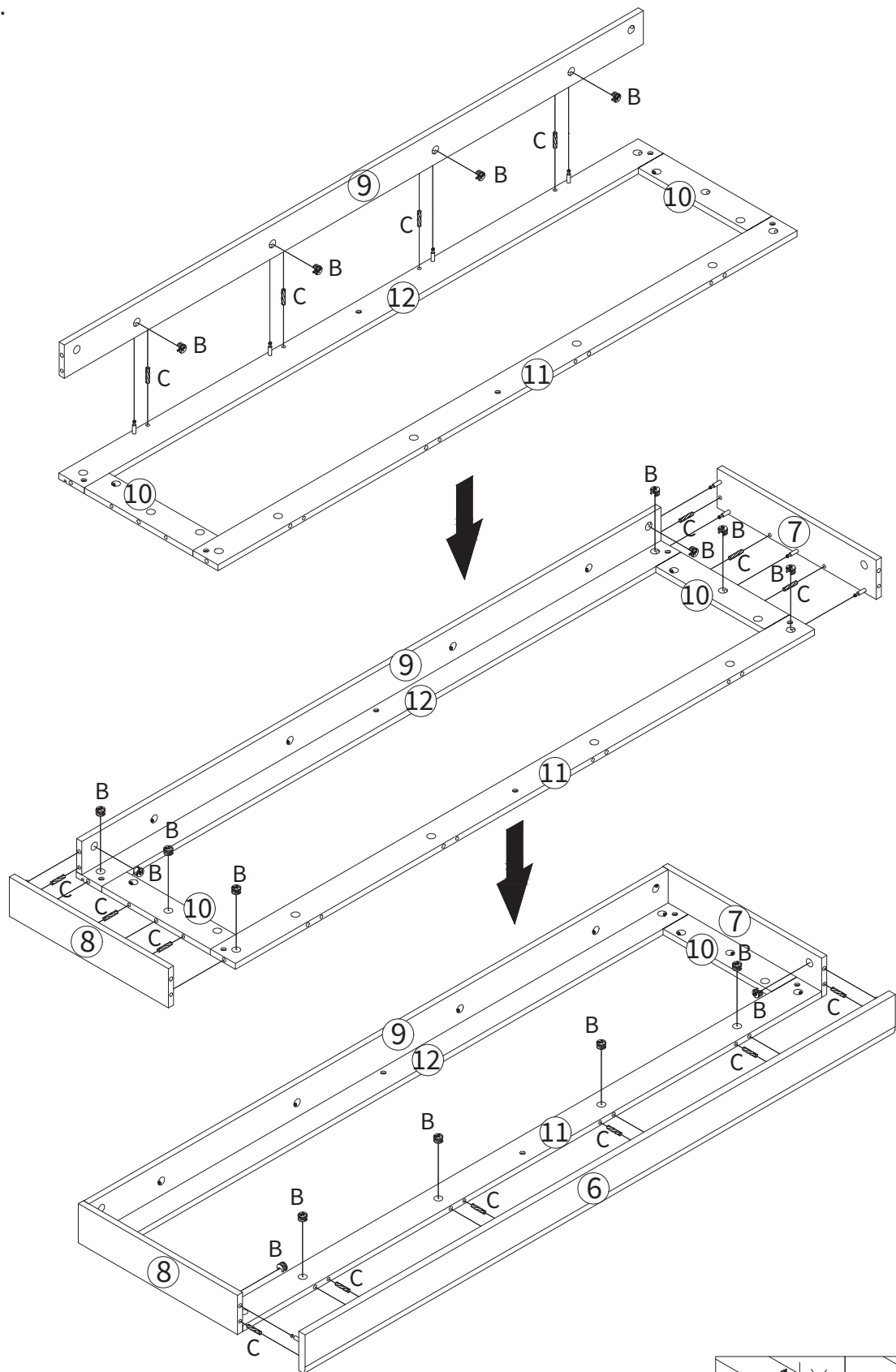
## Step 11

As shown in the figure, first, insert the wooden peg (C) into the two parts 10, and then connect the parts 10 and 11, 12. Finally, place the eccentric (B) in the pre-drilled hole and tighten it with a screwdriver



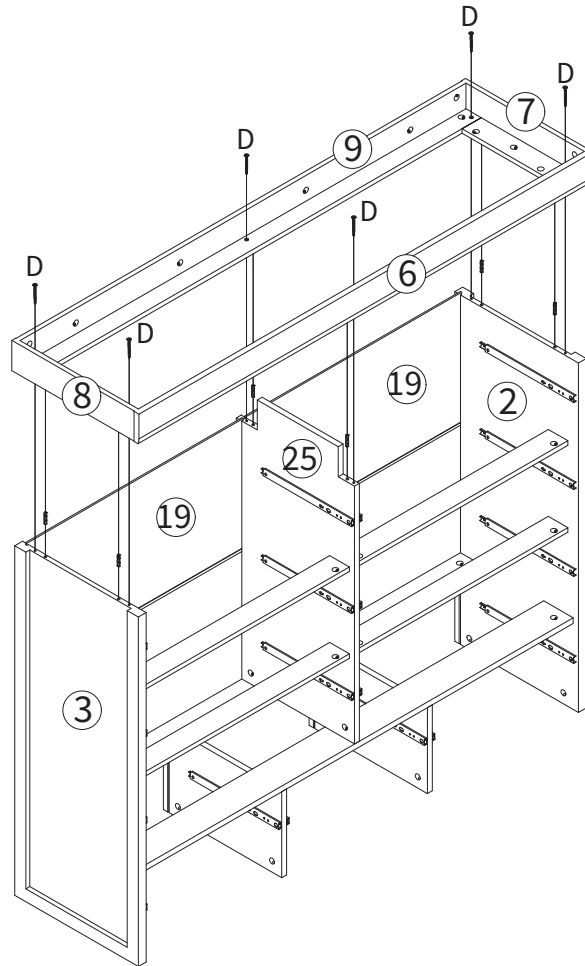
## Step 12

First, place the wooden peg (C) in part ⑥ ⑦ ⑧ ⑨, and connect part ⑥ ⑦ ⑧ ⑨ and assembled unit. Then place the eccentric (B) in the pre-drilled hole and tighten it with a screwdriver.



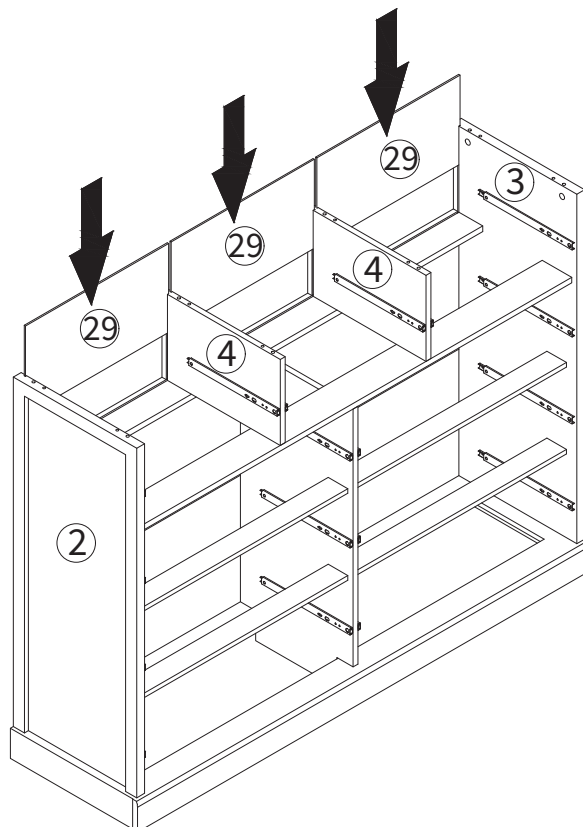
## Step 13

First insert the wooden peg (C) into part ②, ③ and ②⑤. Then use screws (D) to connect part ② ③ ②⑤ and part pedestal



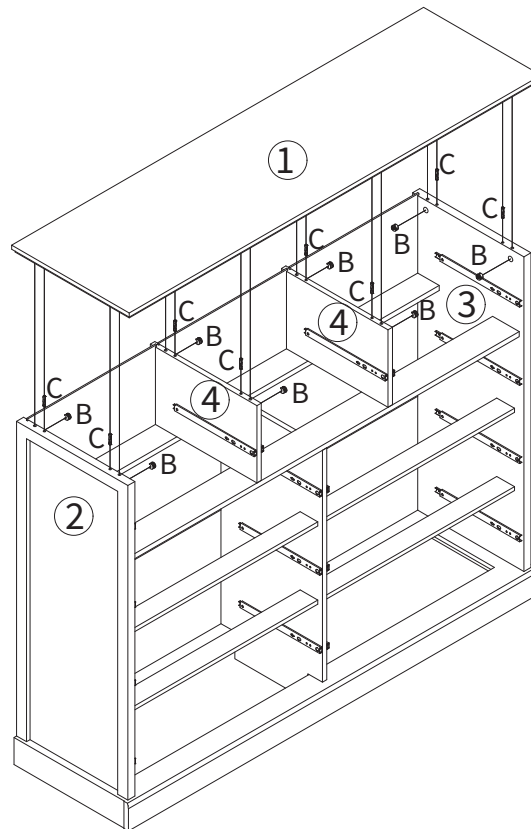
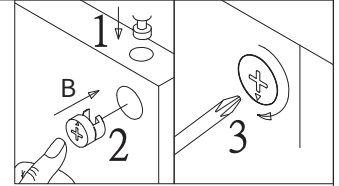
## Step 14

As shown in the figure, part ⑲ is installed along the groove.



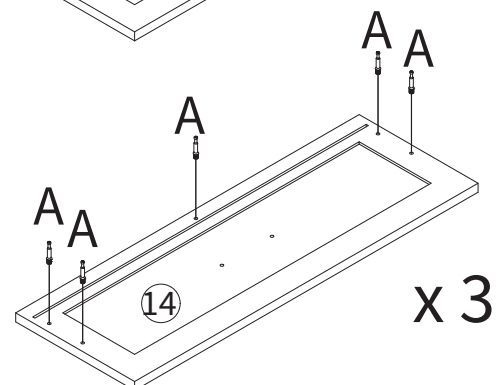
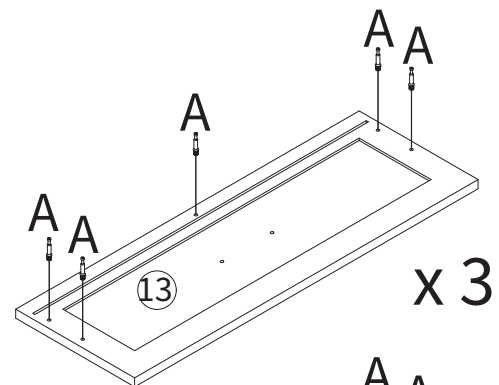
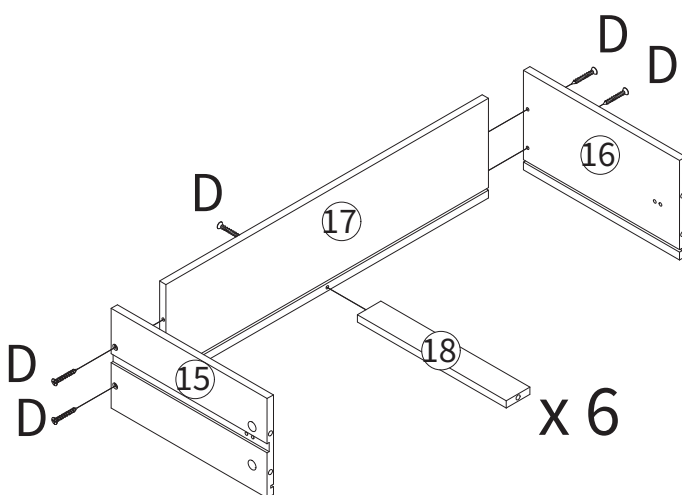
## Step 15

First insert the wooden peg (C) into part ② ③ and ④. Then connect part ① and part ② ③ ④. Finally, place the eccentric (B) in the pre-drilled hole and tighten it with a screwdriver.



## Step 16

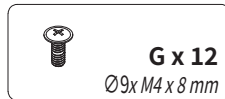
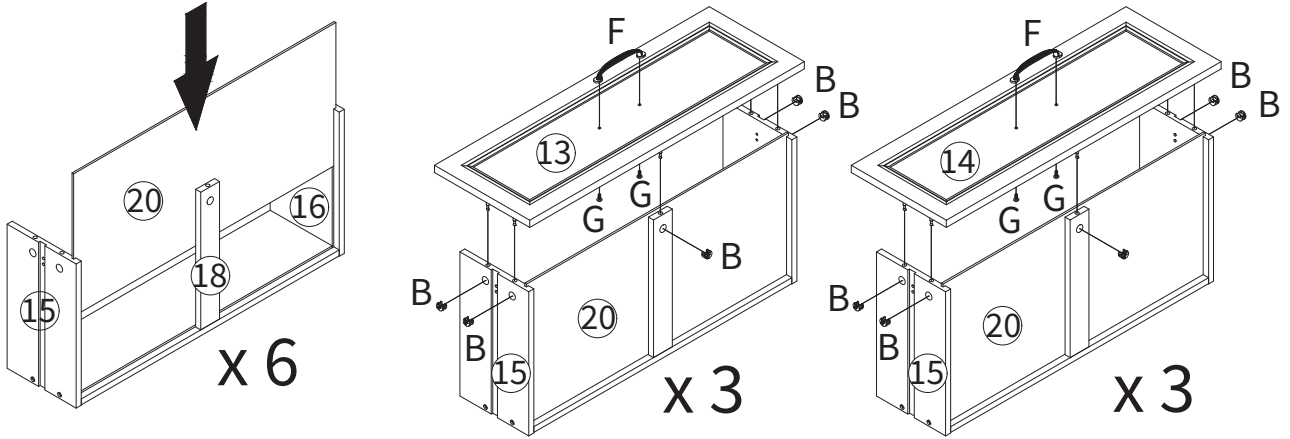
As shown in the figure, use screws (D) to assemble panels ⑮ ⑯ ⑰ ⑱. Insert screws (A) into corresponding holes in part ⑲ ⑳



## Step 17

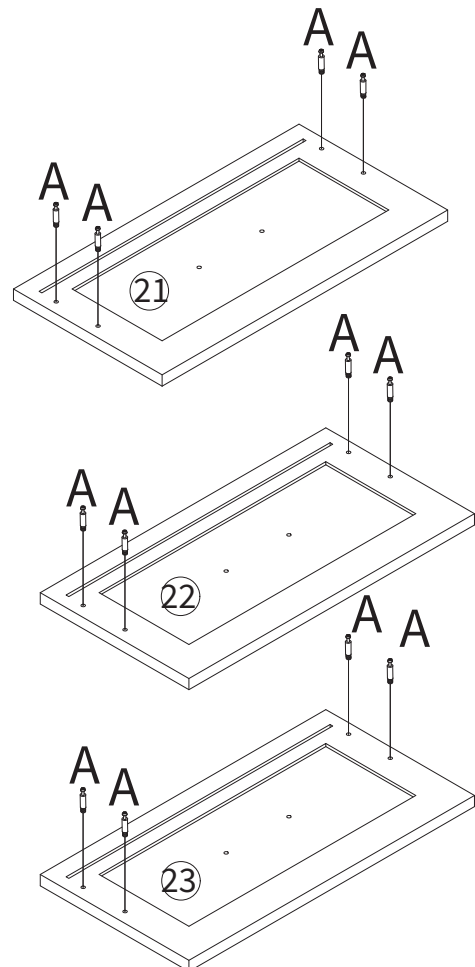
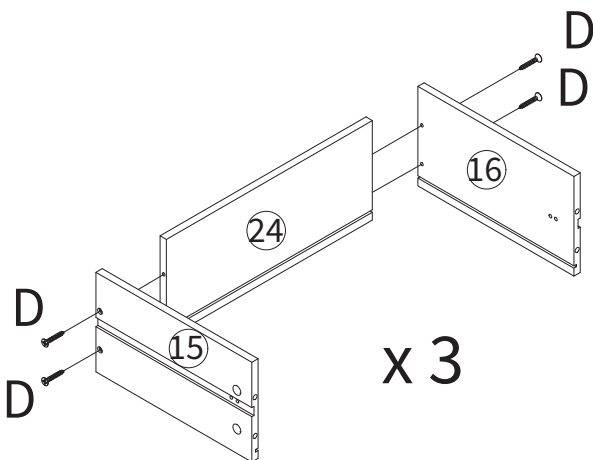
As shown in the figure, part ⑳ is installed along the groove.

Use screws (G) to connect the handle (F) to part ⑬ ⑭. Then connect part ⑬ ⑭ and part ⑮ ⑯ ⑱. Finally, place the eccentric (B) in the pre-drilled hole and tighten it with a screwdriver



## Step 18

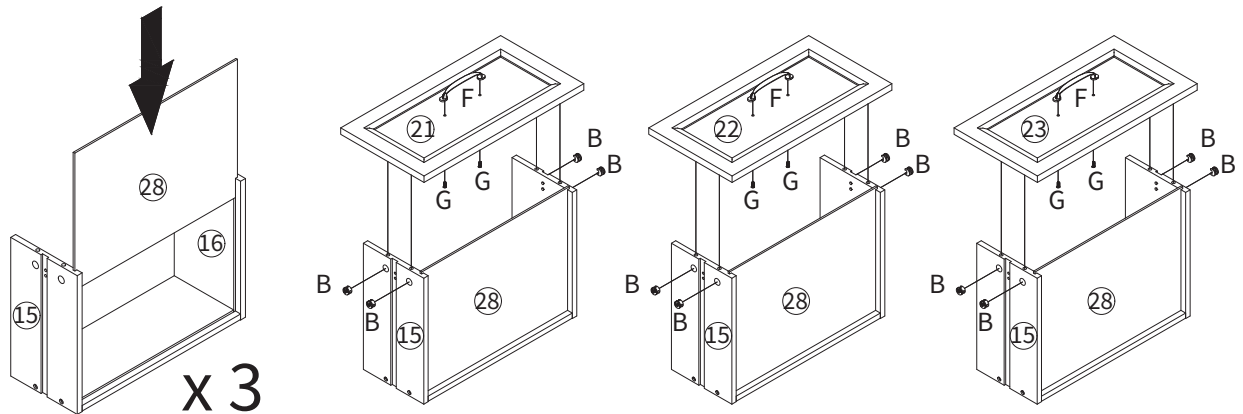
As shown in the figure, use screws (D) to assemble panels ⑮ ⑯ ⑳. Insert screws (A) into corresponding holes in part ㉑ ㉒ ㉓



## Step 19

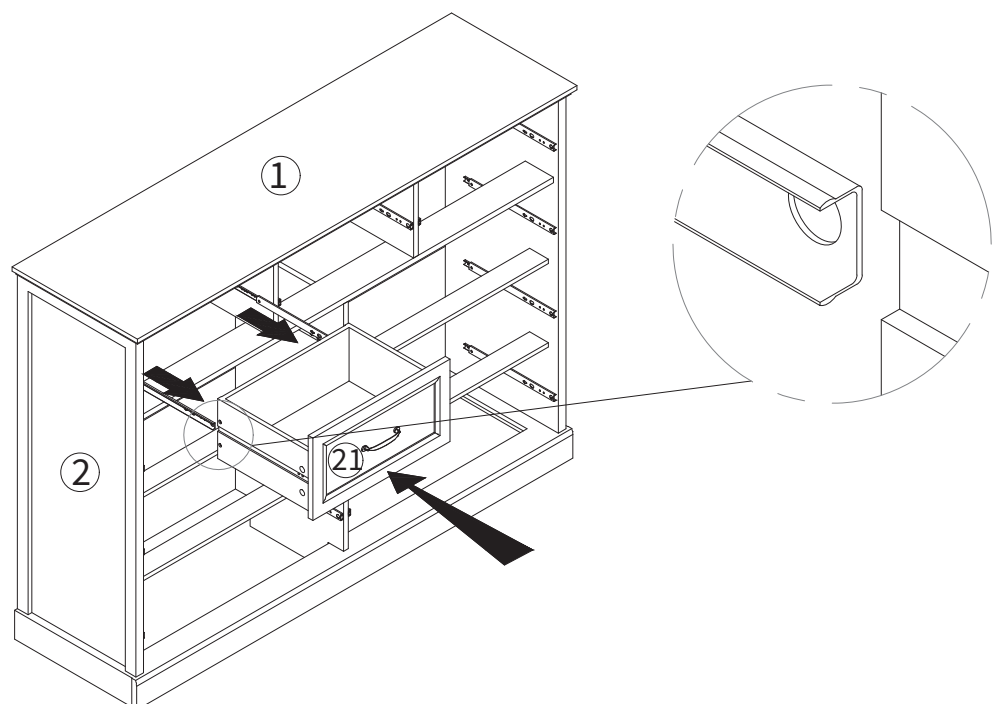
As shown in the figure, part ⑳ is installed along the groove.

Use screws (G) to connect the handle (F) to part ㉑ ㉒ ㉓. Then connect part ㉑ ㉒ ㉓ and part ㉔ ㉕. Finally, place the eccentric (B) in the pre-drilled hole and tighten it with a screwdriver



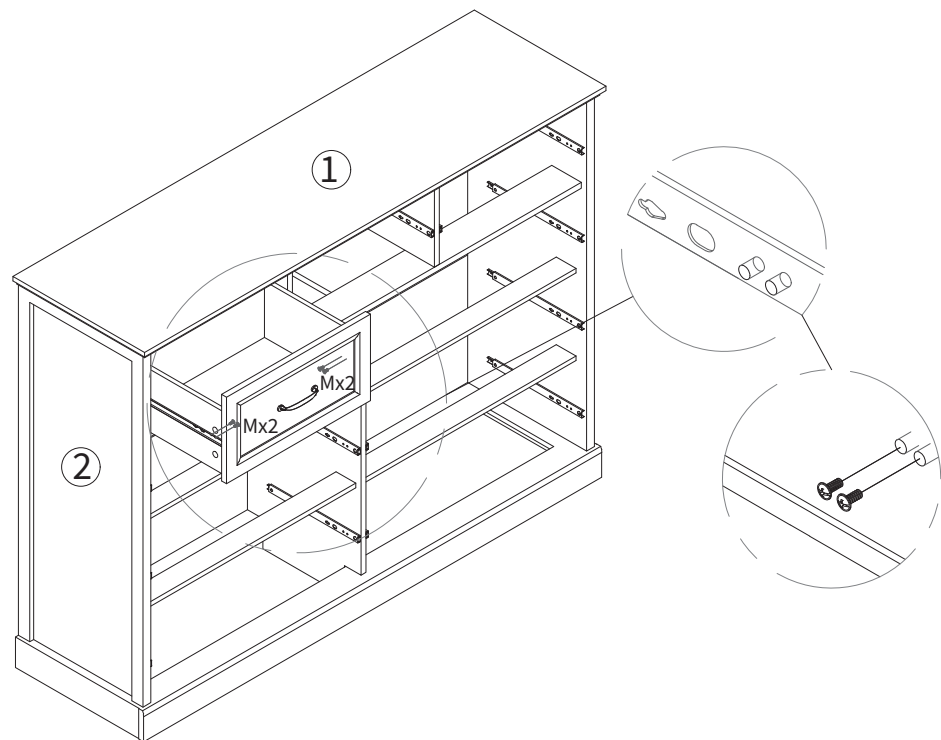
## Step 20

As shown in the figure, pull the sliding-rails as the direction of the arrow to the farthest position. Then make sure that the sliding-rails on both sides are close to the slot at the same time.



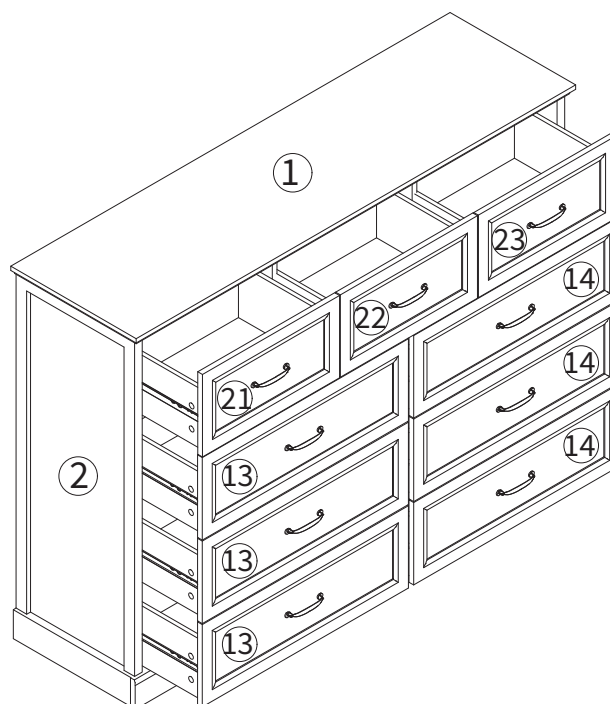
## Step 21

Align the panel holes with the guide rail holes and secure them with screws(M).The installation position is as shown below.



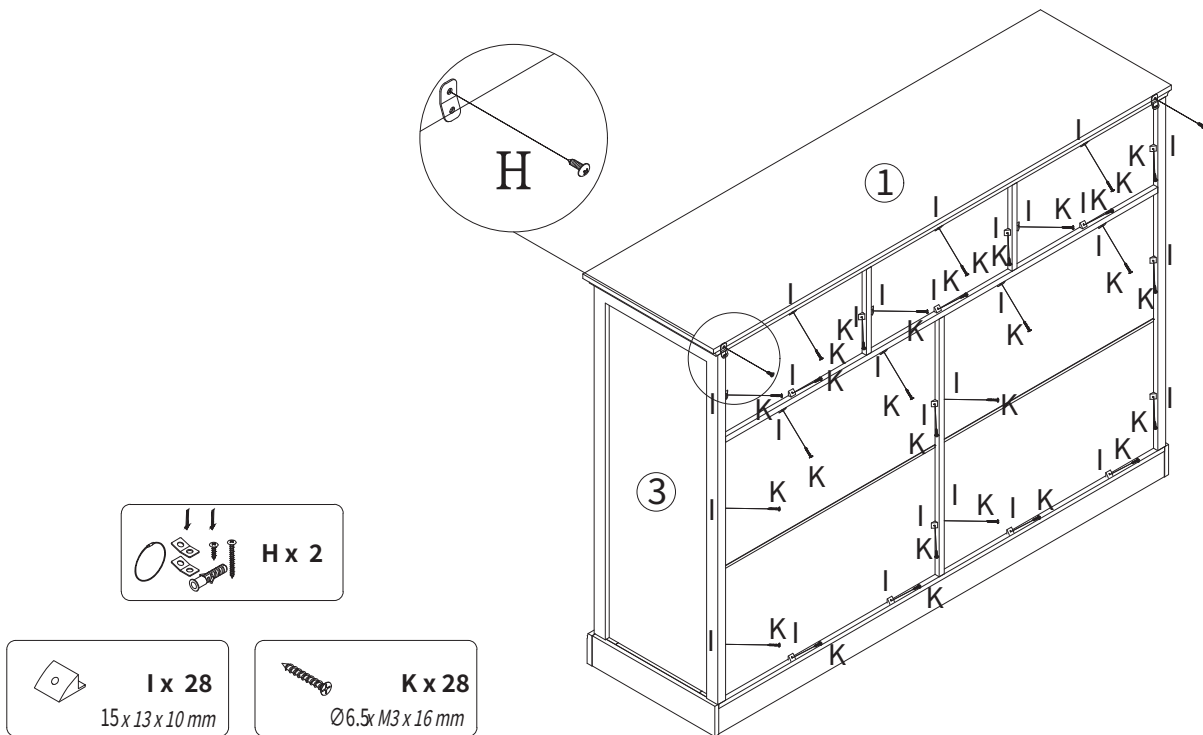
## Step 22

Install drawers ②① ②② ②③ ①③ ①④ to the designated positions according to the above method.



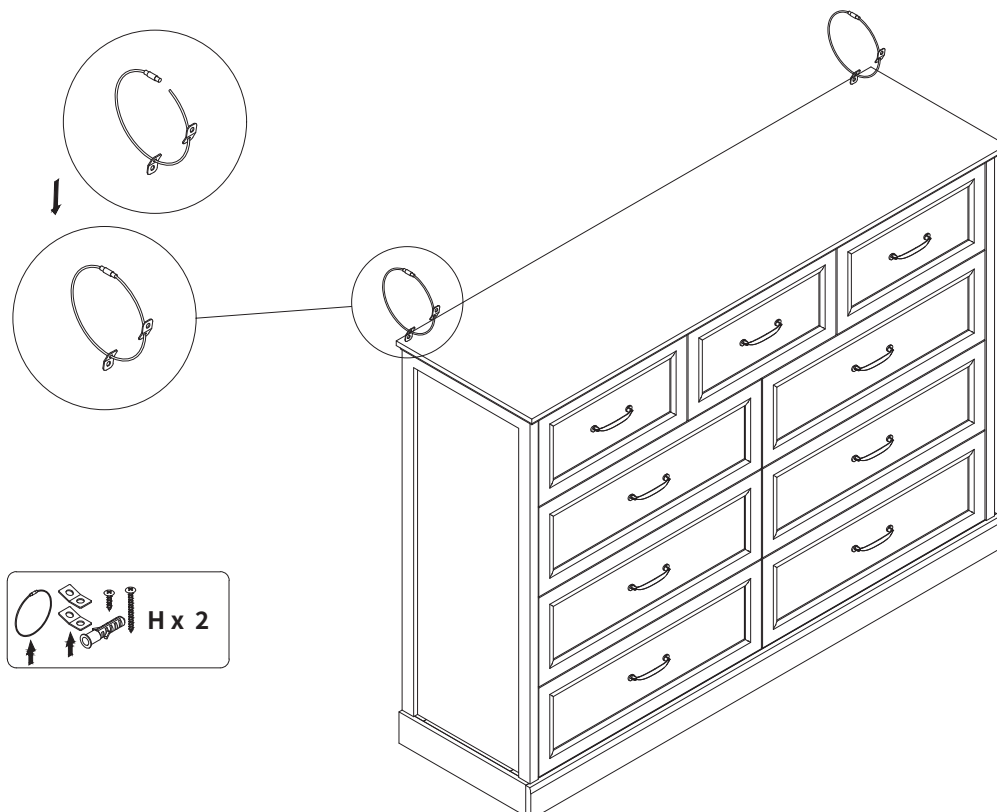
## Step 23

As shown in the picture, first use screws (K) to fix part (I) to the back plate.  
Use screws (H) to fix the back buckle (H) to part ①



## Step 24

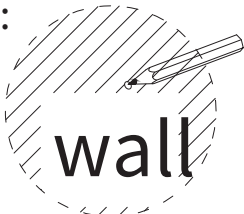
Install (H) in the corresponding position as shown in the figure.



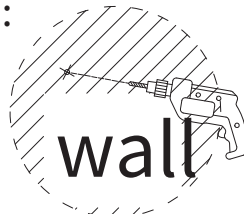
## Step 25

**WARNING:** Always ensure the area to be drilled is free from hidden electrical wires, water and gas pipes.

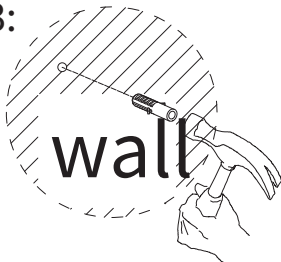
1:



2:



3:



4:

