

# ASSEMBLY INSTRUCTIONS



*Fine Furniture for every stage of life*

## Dining Table

---

REVISION 0: 02/10/2015  
REVISION 1: 10/16/2017  
REVISION 2: 07/22/2019  
REVISION 3: 05/21/2020

# ASSEMBLY INSTRUCTIONS

## ASSEMBLY TIPS:

1. Remove hardware from box and sort by size.
2. Please check to see that all hardware and parts are present prior to start of assembly.
3. Please follow attached instructions in the same sequence as numbered to assure fast & easy assembly.



### WARNING!

1. Don't attempt to repair or modify parts that are broken or defective. Please contact the store immediately.
2. This product is for home use only and not intended for commercial establishments.



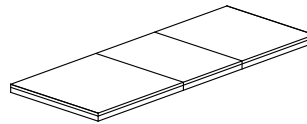
**ASSEMBLY TIME**

**10 MINUTES**

## PARTS IDENTIFICATION

### B1 (BOX 1)

A TOP



1PC

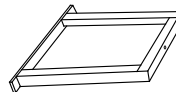
C STRETCHER



2PCS

### B2 (BOX 2)

B LEG FRAME

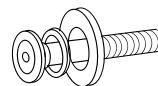


2PCS

## HARDWARE IDENTIFICATION

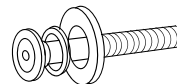
### Z-B1 (BOX 1) - HARDWARE PACK IS LOCATED IN (B1)

1 SHORT BOLT WITH WASHER  
(M6 x 40mm - BLK)



8PCS

2 LONG BOLT WITH WASHER  
(M6 x 60mm - BLK)



2PCS

3 HEX NUT  
(5/16 - GD)



2PCS

4 LOCK WASHER  
(M8 X 13mm - GD)



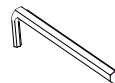
2PCS

5 FLAT WASHER  
(M8 X 22mm - GD)



2PCS

6 ALLEN WRENCH  
(M4 - GD)



1PC

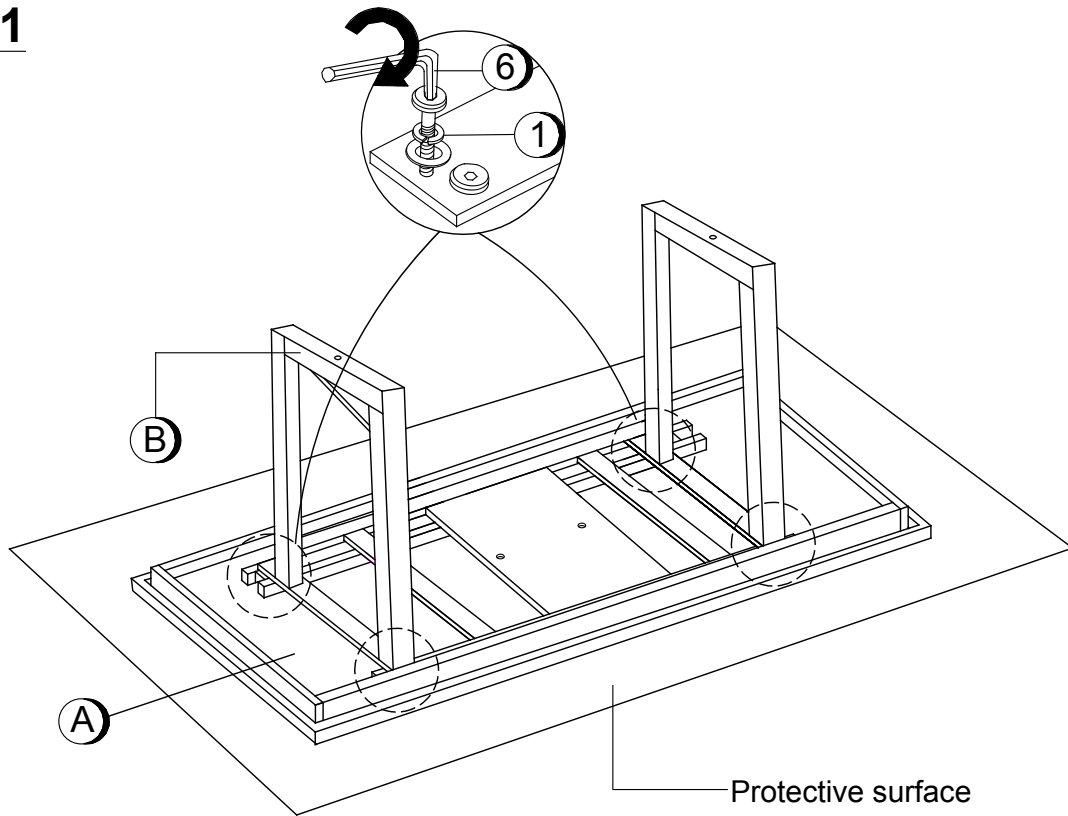
7 WRENCH  
(12.8 - GD)



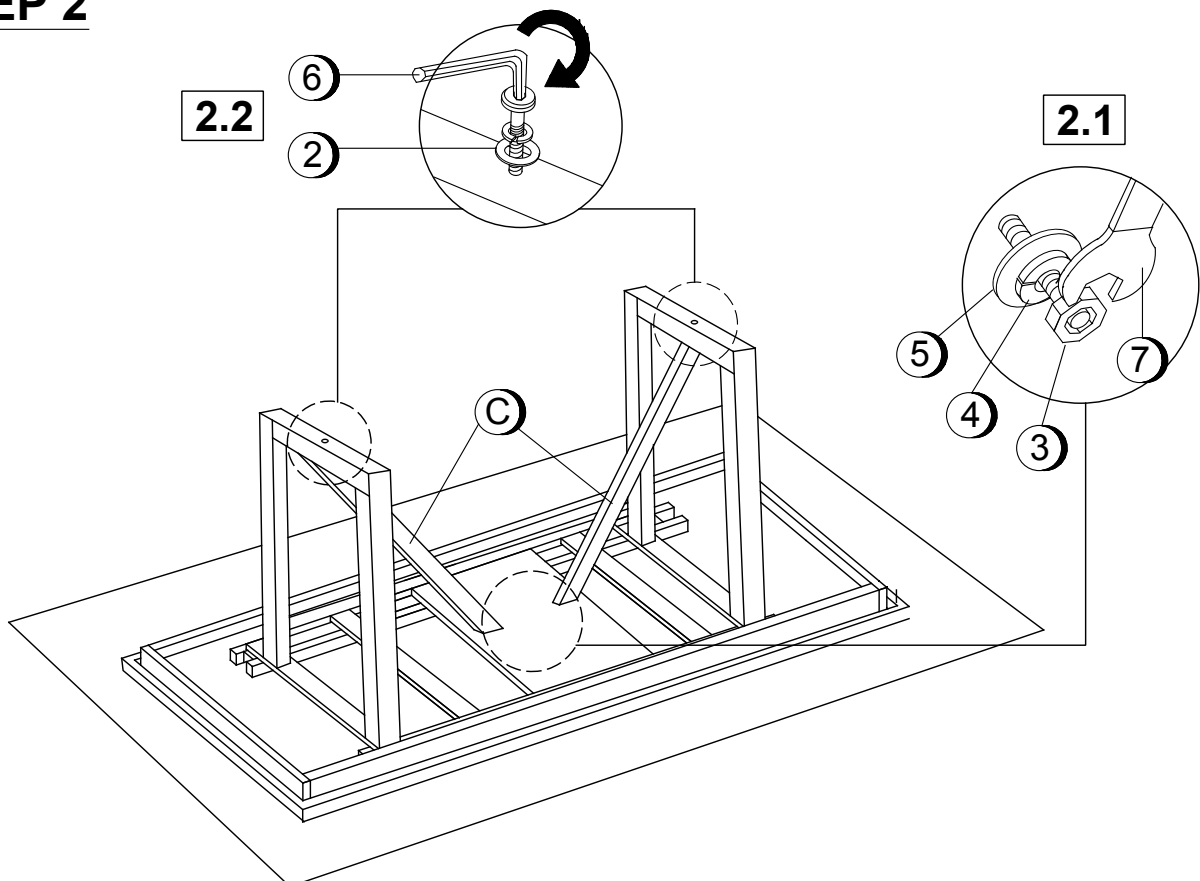
1PC

# ASSEMBLY INSTRUCTIONS

## STEP 1

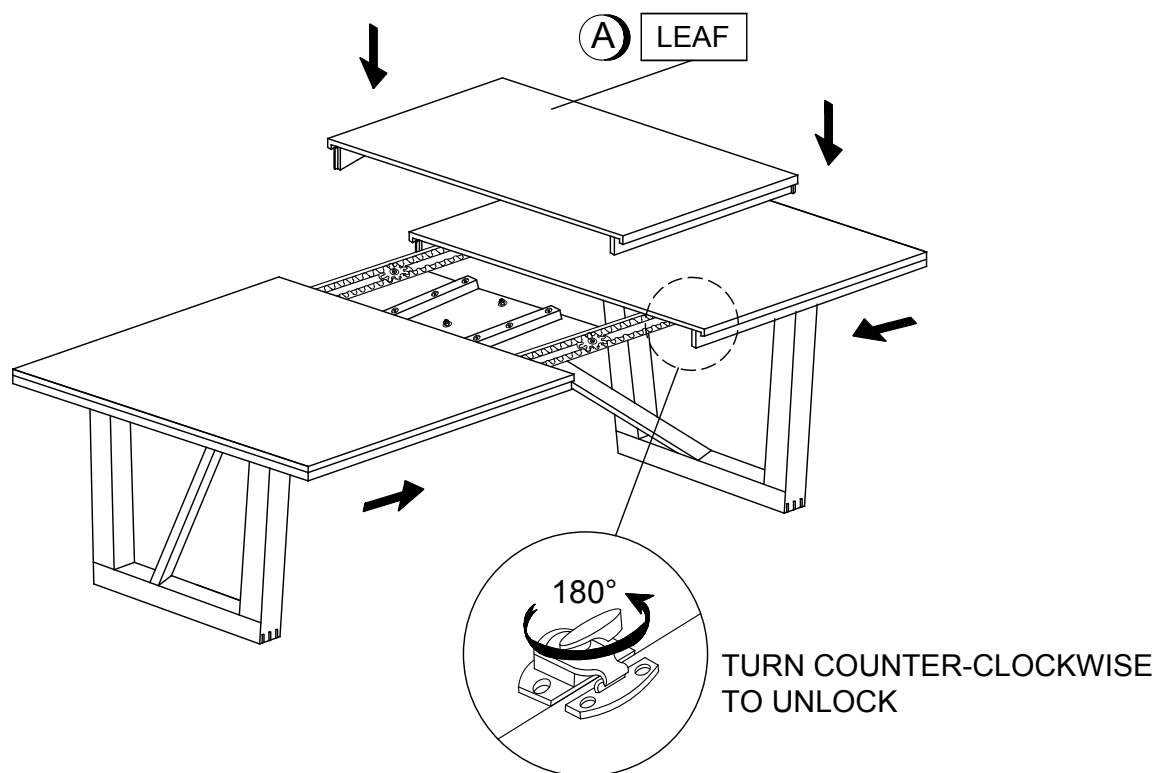


## STEP 2

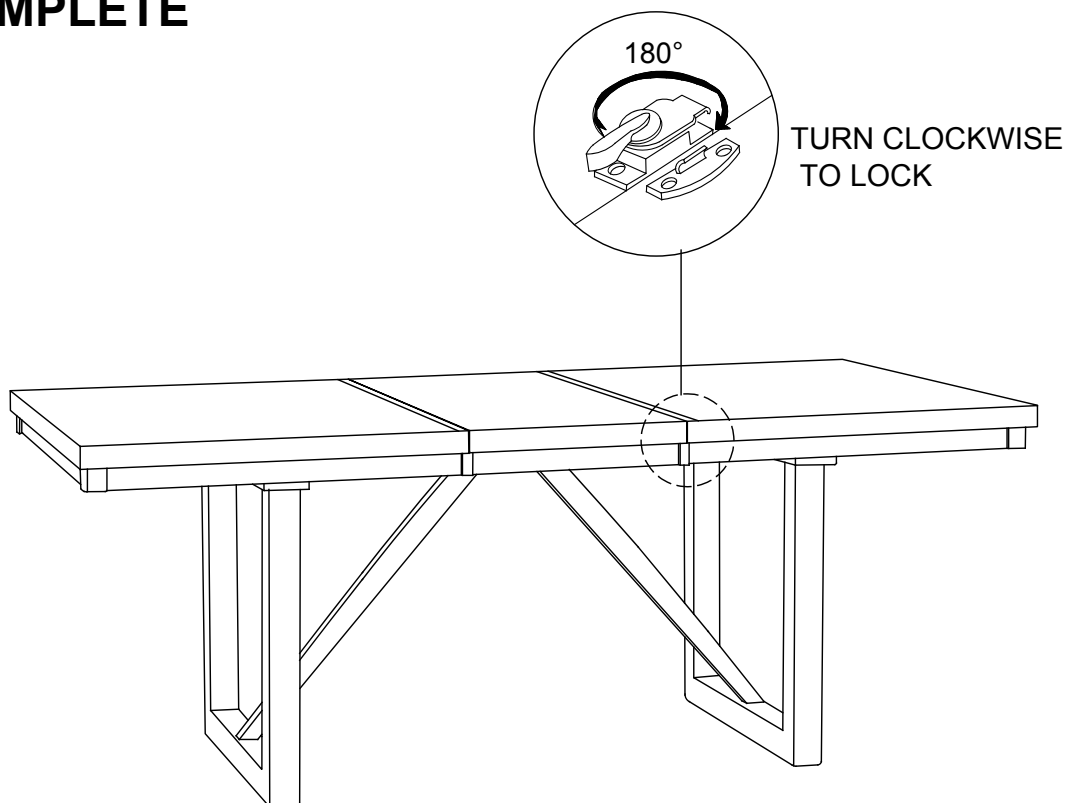


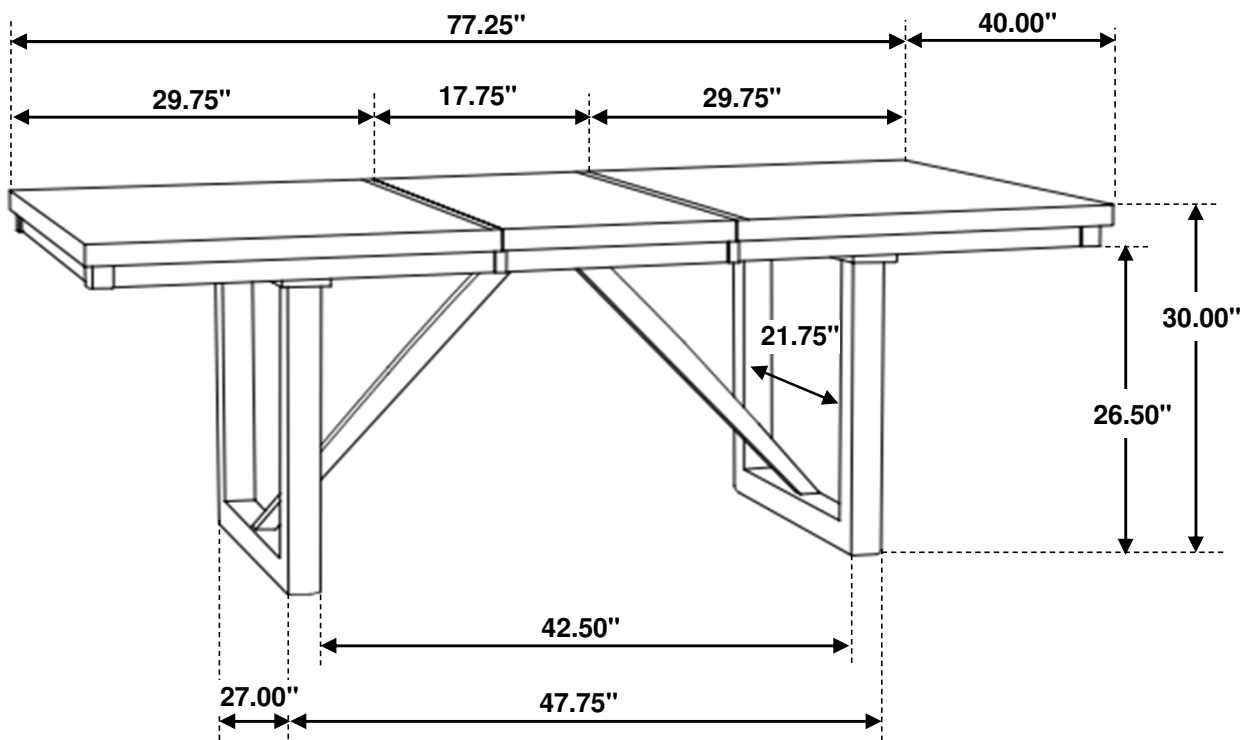
# ASSEMBLY INSTRUCTIONS

## STEP 3



## STEP 4 COMPLETE





**Note : Dimension tolerance  $\pm 5\%$**

# ASSEMBLY INSTRUCTIONS



*Fine Furniture for every stage of life*

## Dining Side Chair

REVISION 0:02/10/2015  
REVISION 1:10/16/2017  
REVISION 2:07/22/2019

PAGE 1 OF 4

# ASSEMBLY INSTRUCTIONS

## ASSEMBLY TIPS:

1. Remove hardware from box and sort by size.
2. Please check to see that all hardware and parts are present prior to start of assembly.
3. Please follow attached instructions in the same sequence as numbered to assure fast & easy assembly.



### WARNING!

1. Don't attempt to repair or modify parts that are broken or defective. Please contact the store immediately.
2. This product is for home use only and not intended for commercial establishments.

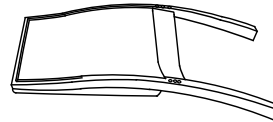


**ASSEMBLY TIME**

**10 MINUTES**

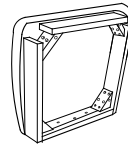
## PARTS IDENTIFICATION

**A BACK FRAME**



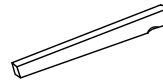
**1PC**

**B SEAT CUSHION WITH FRAME**



**1PC**

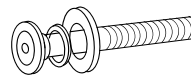
**C FRONT LEG**



**2PCS**

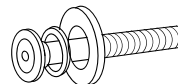
## HARDWARE IDENTIFICATION

**1 LONG BOLT WITH WASHER**  
(M6 x 80mm - BLK)



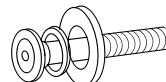
**4PCS**

**2 MEDIUM BOLT WITH WASHER**  
(M6 x 60mm - BLK)



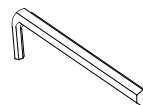
**4PCS**

**3 SHORT BOLT WITH WASHER**  
(M6 x 45mm - BLK)



**3PCS**

**4 ALLEN WRENCH**  
(M4 - GD)



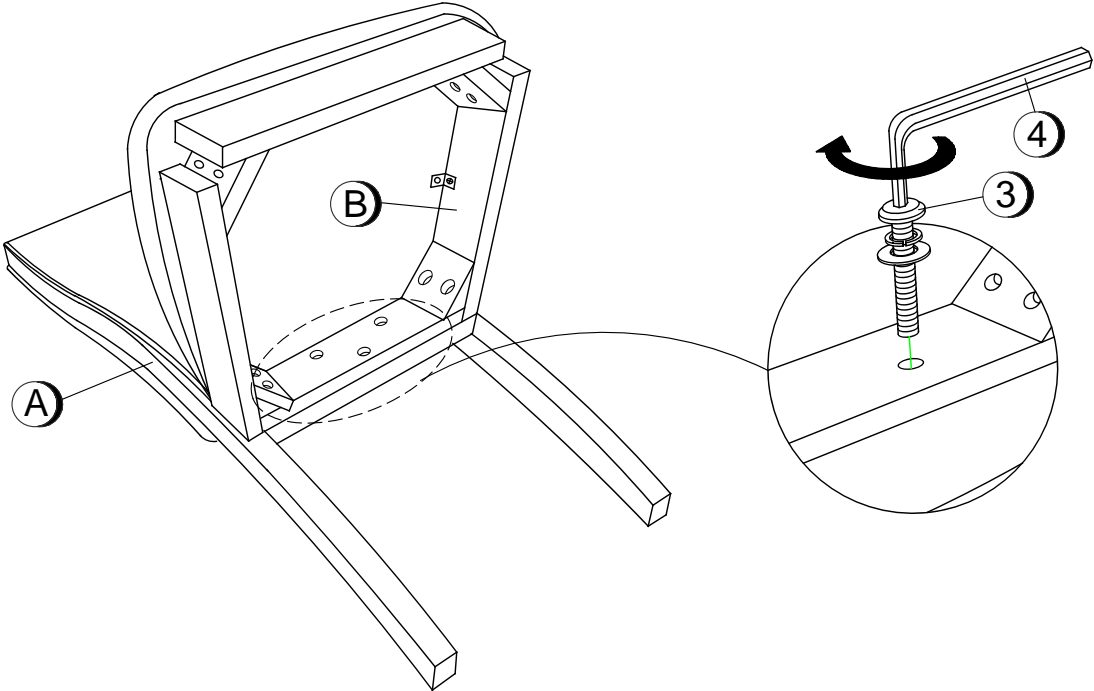
**1PC**

### NOTE:

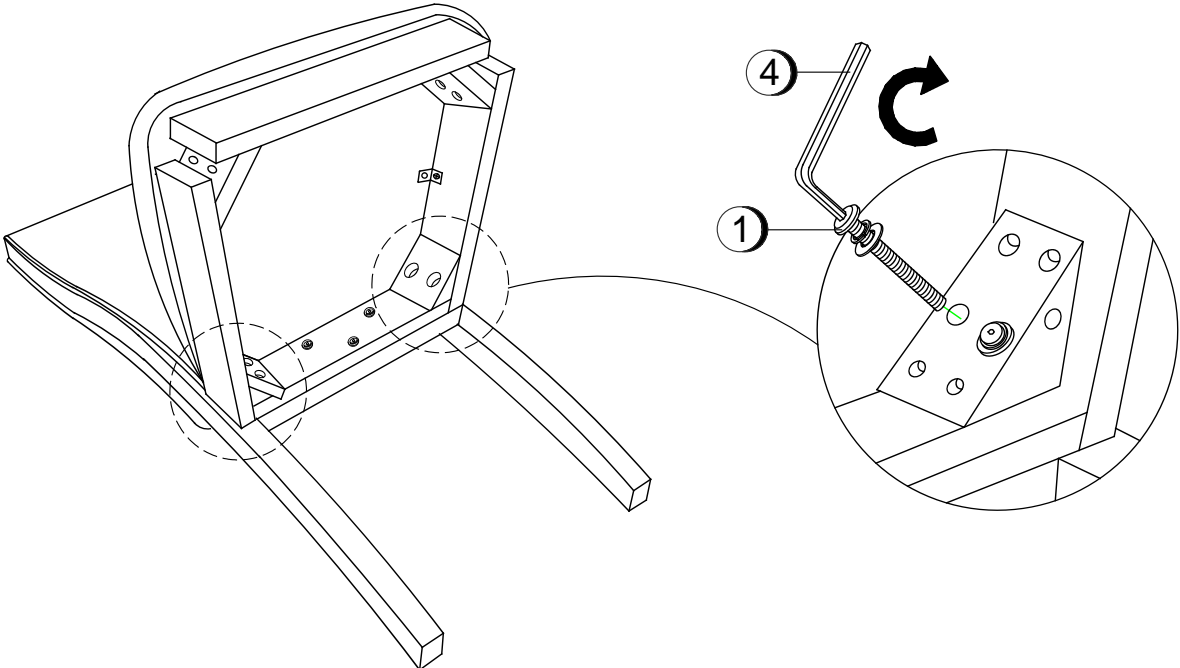
Quantities shown are for one chair.

# ASSEMBLY INSTRUCTIONS

## STEP 1

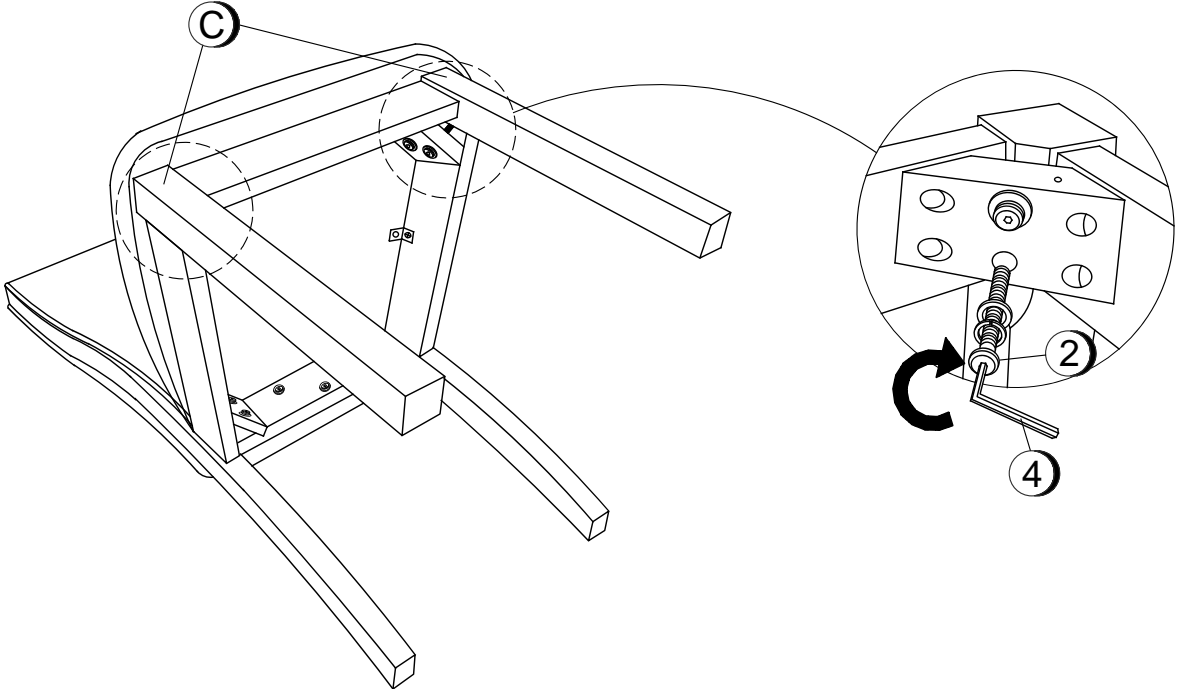


## STEP 2

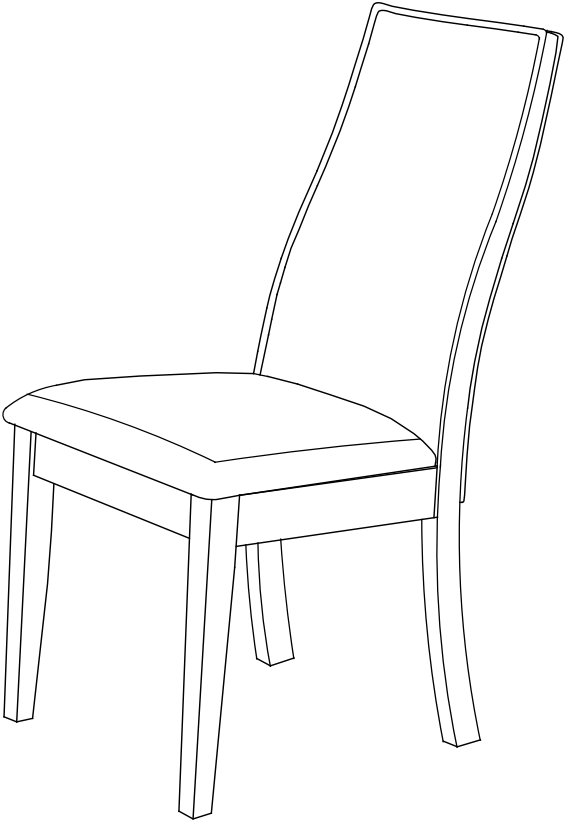


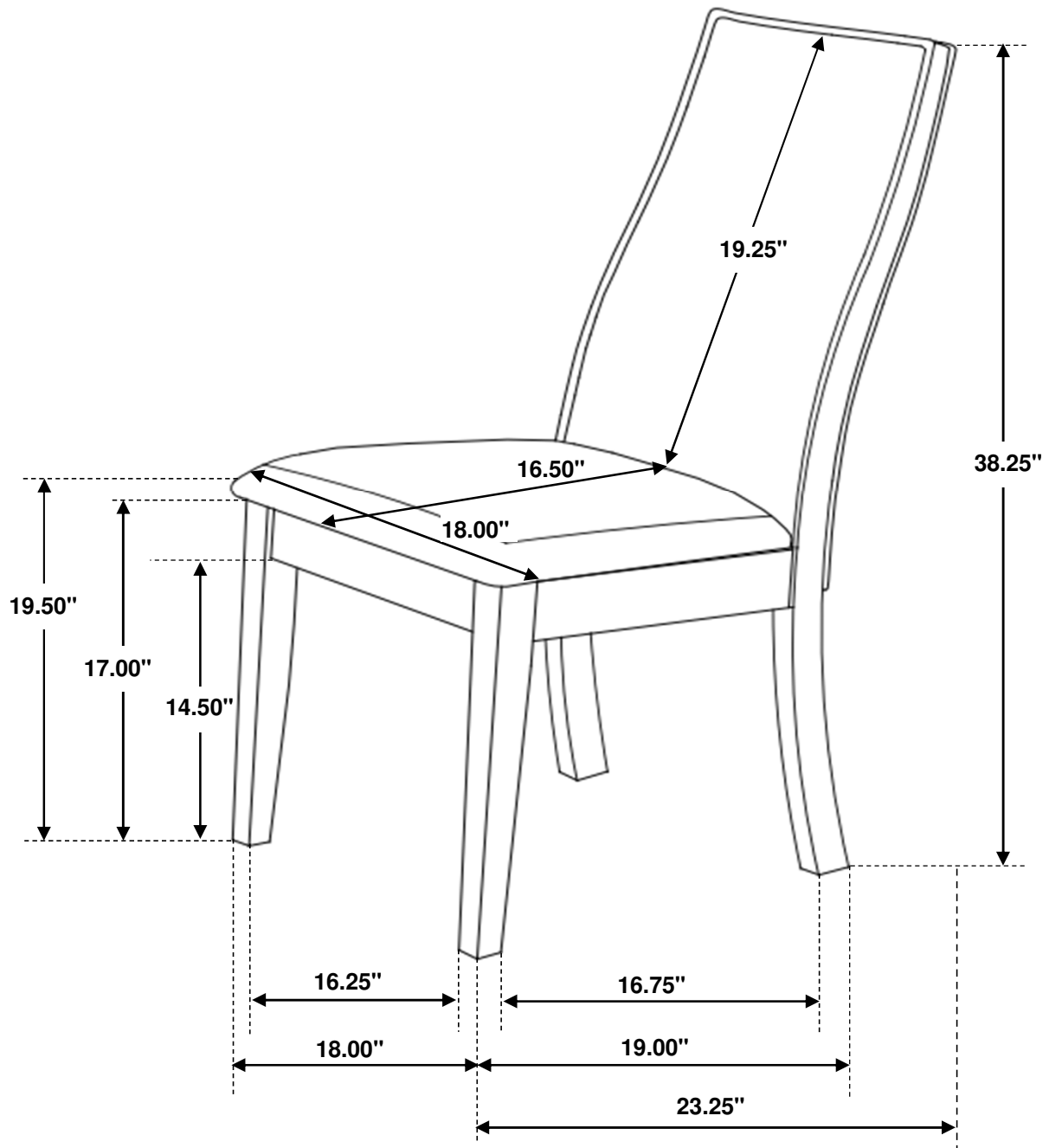
# ASSEMBLY INSTRUCTIONS

## STEP 3



## STEP 4 COMPLETE





**Note : Dimension tolerance  $\pm 5\%$**