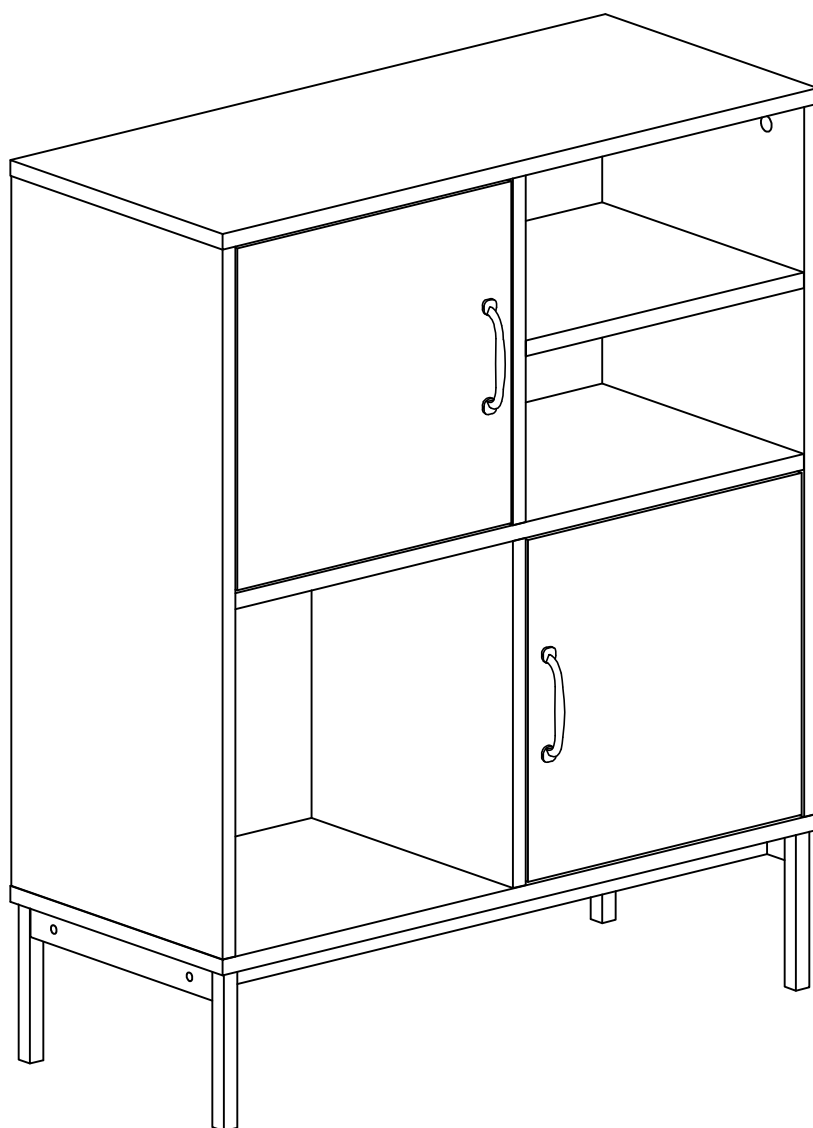
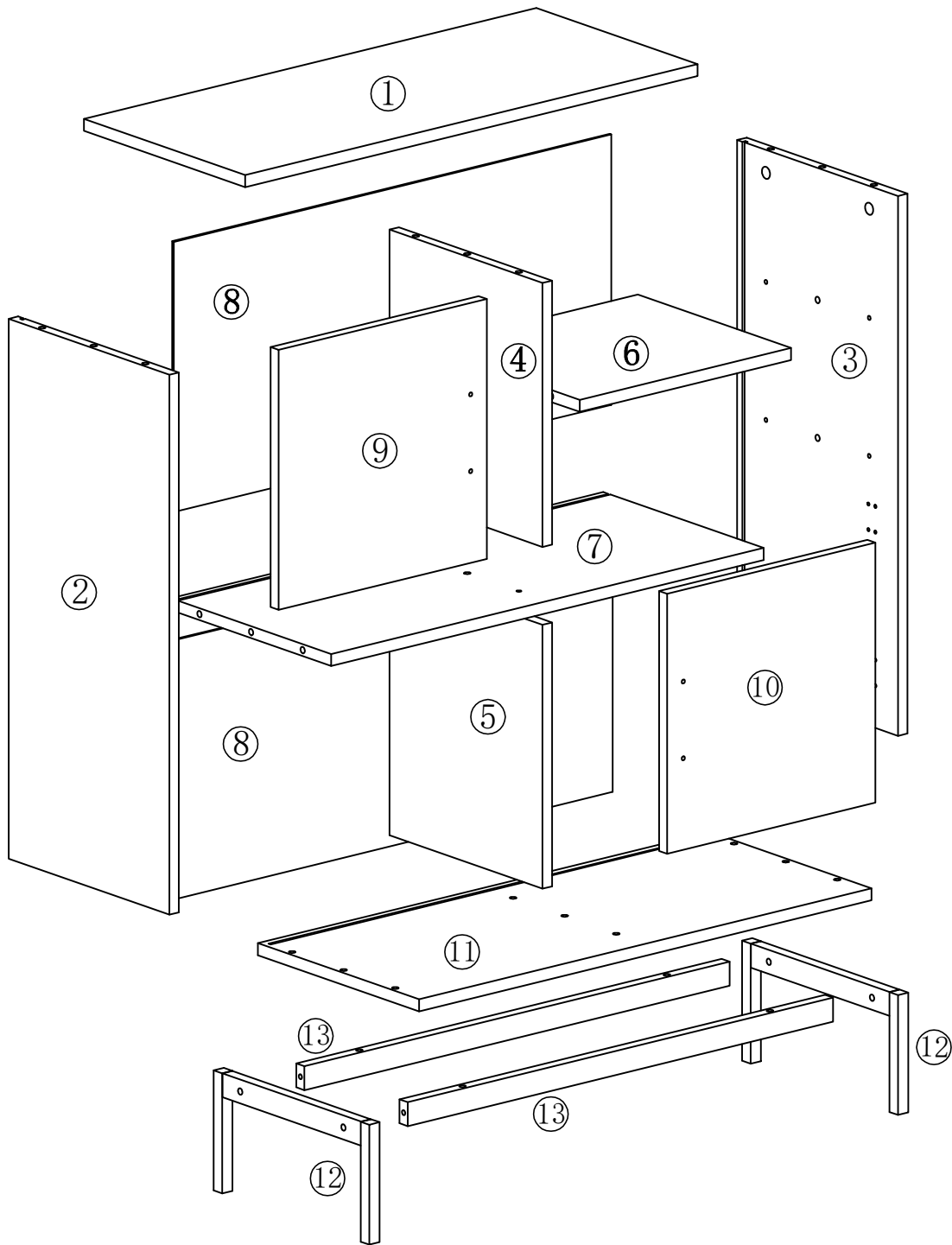
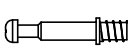
















# URFER

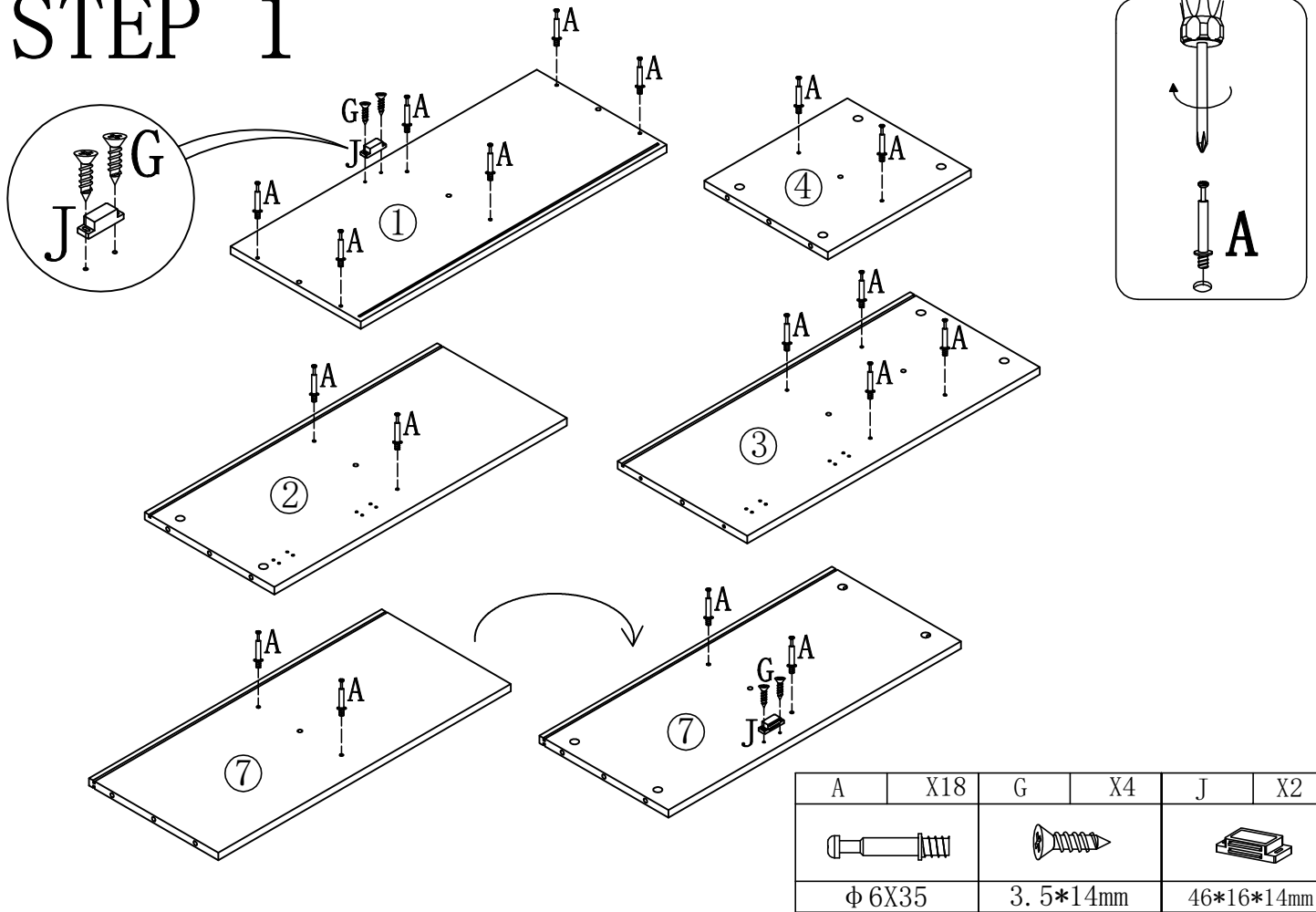


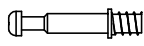




|  |     |   |     |   |     |   |    |   |    |  |    |   |     |   |    |
|--|-----|---|-----|---|-----|---|----|---|----|--|----|---|-----|---|----|
| A  | X18 | B   | X18 | C   | X10 | D   | X1 | E   | X6 | F  | X1 | G   | X38 | H   | X4 |
|  |     |  |     |  |     |  |    |  |    |  |    |  |     |  |    |
| $\phi 6 \times 35$   |     | $\phi 15 \times 12$   |     | $\phi 8 \times 30$  |     | $\phi 8 \times 50$  |    | $\phi 7 \times 47$  |    | M4X55  |    | 3.5*14mm  |     | M6*35mm   |    |

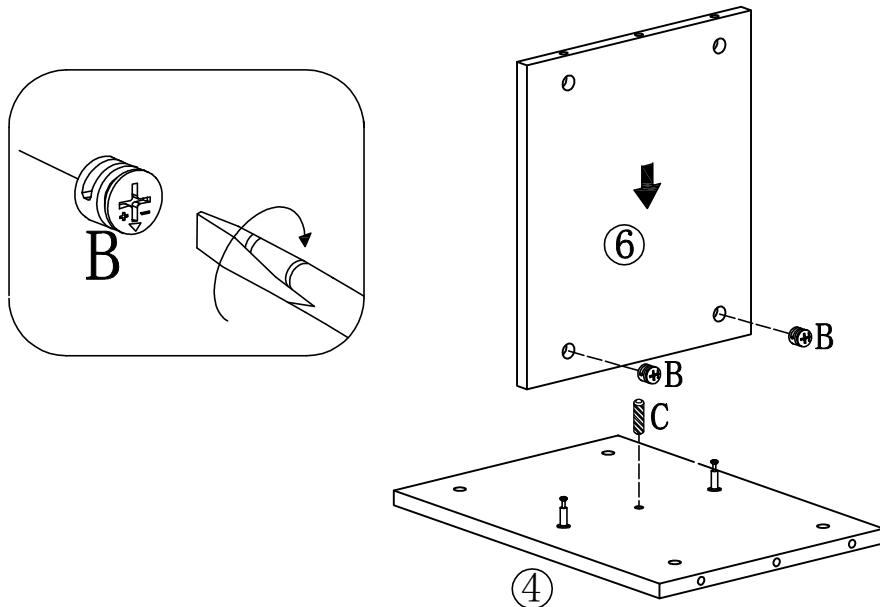
|   |    |   |    |   |    |   |    |  |    |   |    |   |    |
|---|----|---|----|---|----|---|----|--|----|---|----|---|----|
| I   | X4 | J   | X2 | K   | X2 | L   | X2 | M  | X4 | N   | X6 | O   | X4 |
|  |    |  |    |  |    |  |    |  |    |  |    |  |    |
| M6*40mm   |    | 46*16*14mm  |    | 45*12*1mm   |    | 131*20*23mm   |    | M4*18mm  |    | 14*14*9mm   |    |   |    |


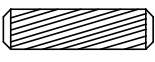
# STEP 1



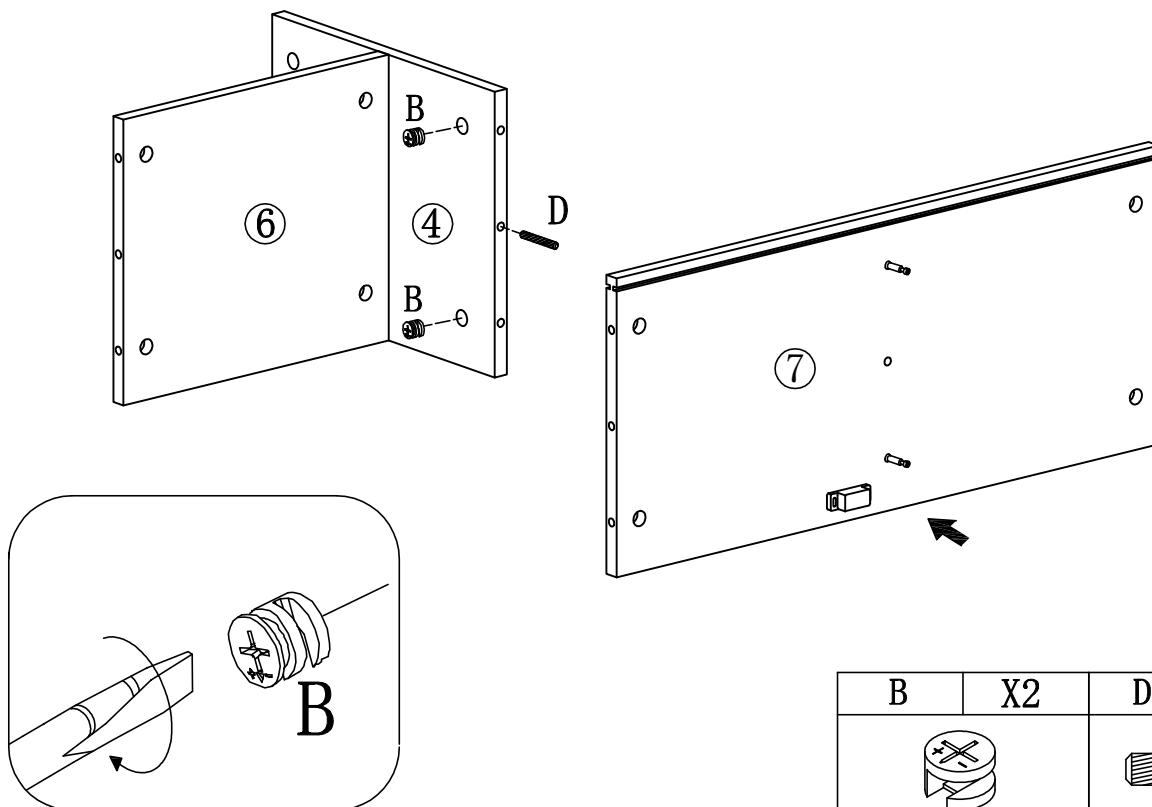
|  |     |   |    |   |    |
|--|-----|---|----|---|----|
| A  | X18 | G   | X4 | J   | X2 |
|  |     |  |    |  |    |
| $\phi$ 6X35  |     | 3.5*14mm  |    | 46*16*14mm  |    |



# STEP 2



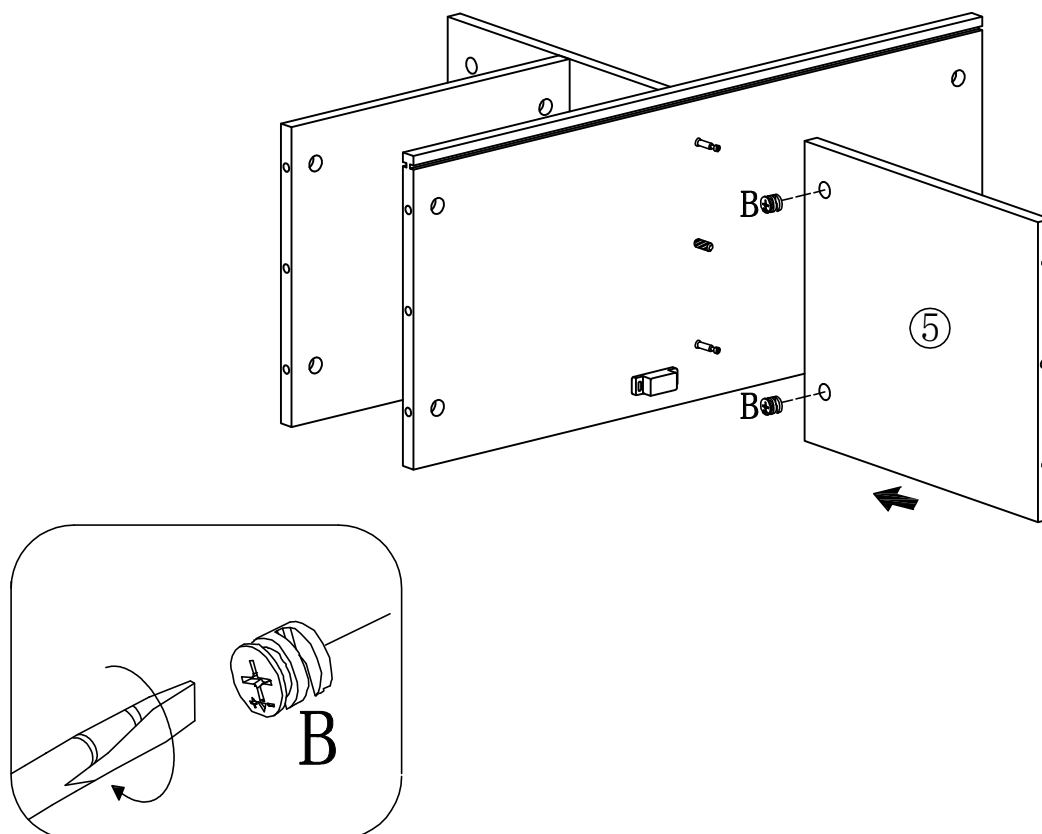
|   |    |   |    |
|---|----|---|----|
| B   | X2 | C   | X1 |
|  |    |  |    |
| $\phi$ 15X12  |    | $\phi$ 8X30   |    |


# STEP 3



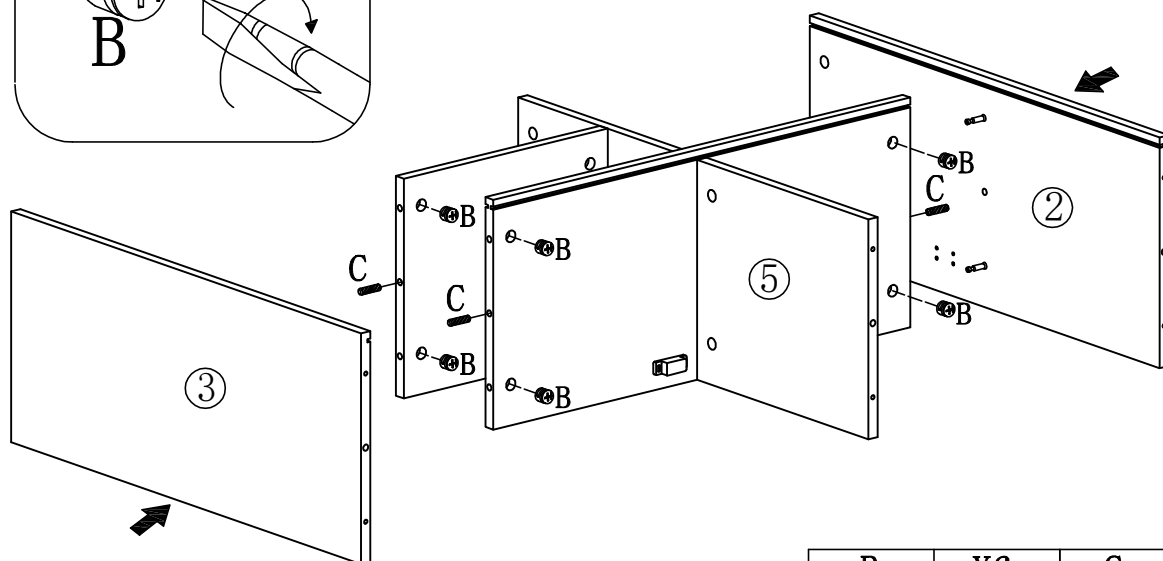
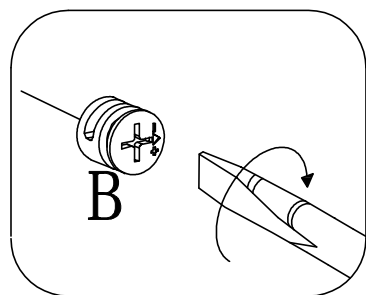
| B  | X2 | D  | X1 |
|--|----|--|----|
|  |    |  |    |
| $\phi$ 15X12   |    | $\phi$ 8X50  |    |


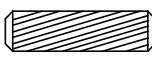
# STEP 4



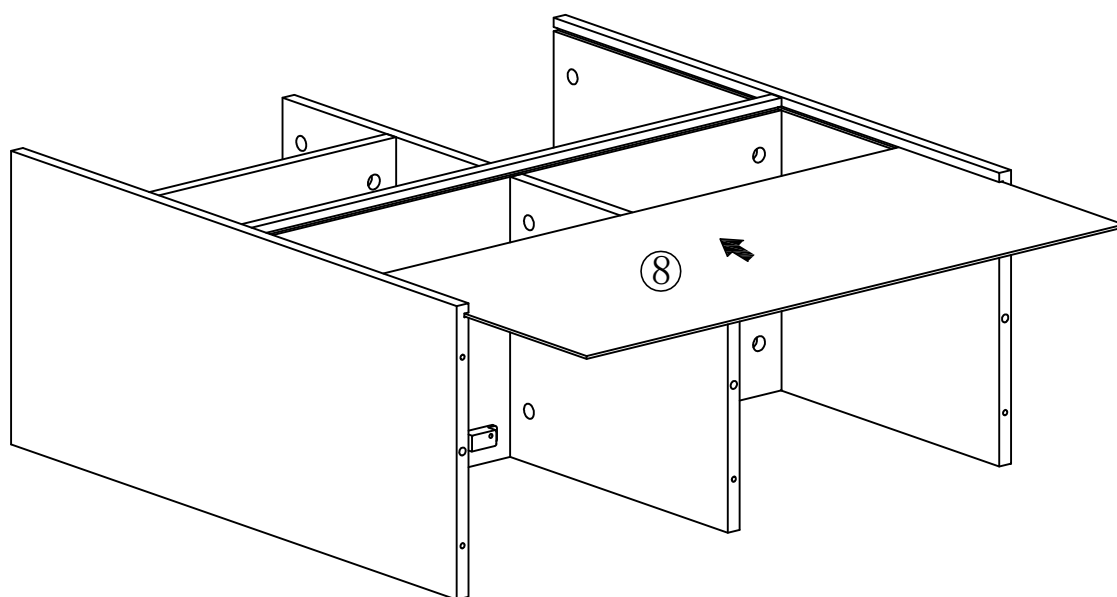
| B   | X2 |
|---|----|
|  |    |
| $\phi$ 15X12  |    |

# STEP 5

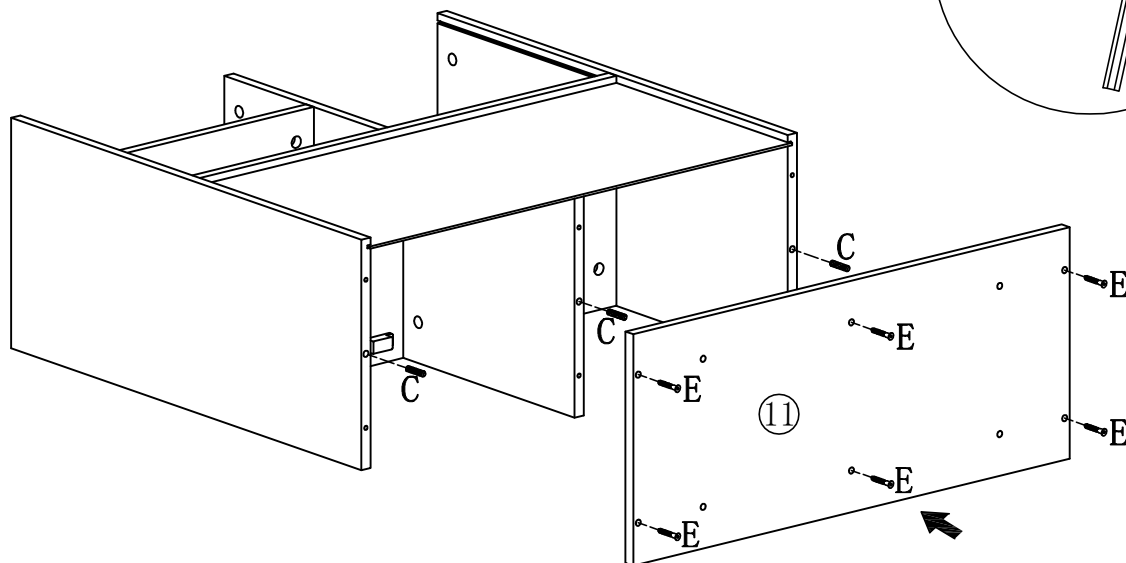





| B  | X6 | C  | X3 |
|--|----|--|----|
|  |    |  |    |
| $\phi 15X12$   |    | $\phi 8X30$  |    |

# STEP 6

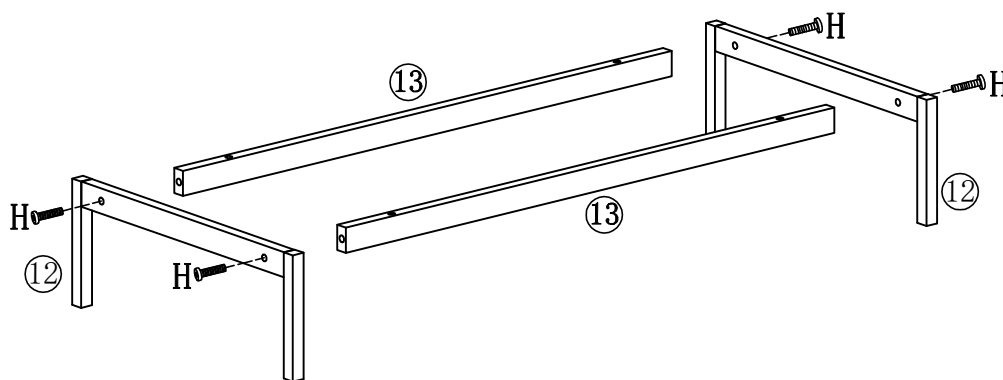


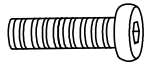
# STEP 7



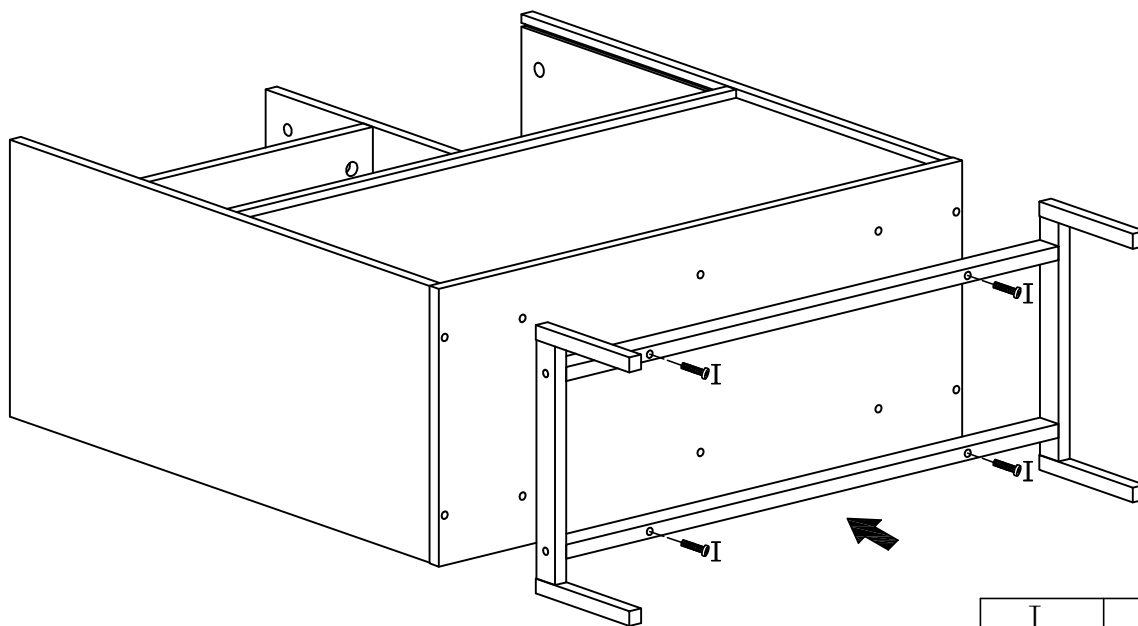
|   |    |  |    |  |    |
|---|----|--|----|--|----|
| C   | X3 | E  | X6 | F  | X1 |
|  |    |  |    |  |    |
| φ 8X30  |    | φ 7X47   |    | M4X55  |    |

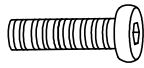
# STEP 8



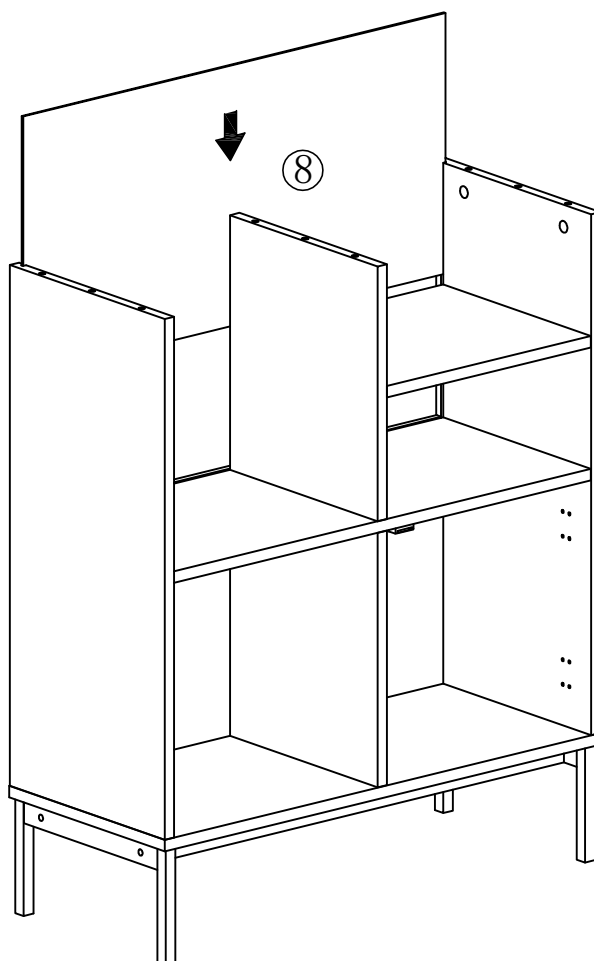
|   |    |
|---|----|
| H   | X4 |
|  |    |
| M6*35mm   |    |

# STEP 9

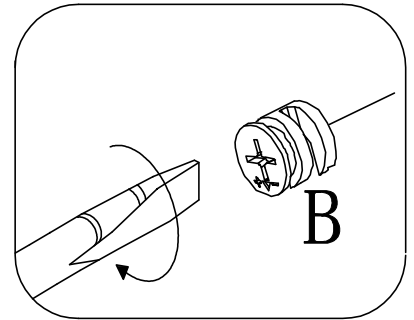
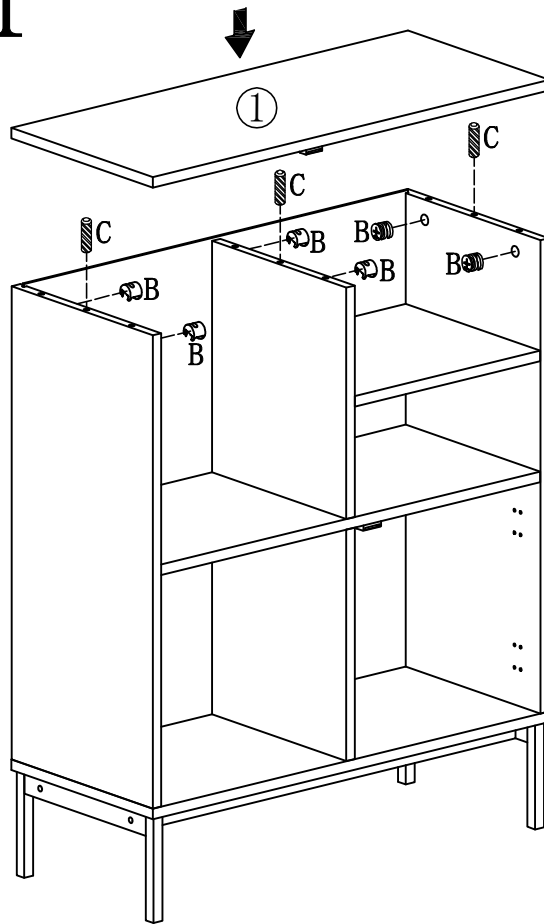




|  |    |
|--|----|
| I  | X4 |
|  |    |
| M6*40mm  |    |

# STEP 10

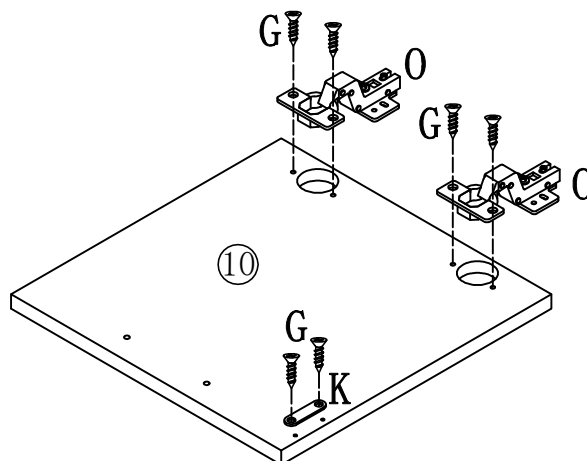
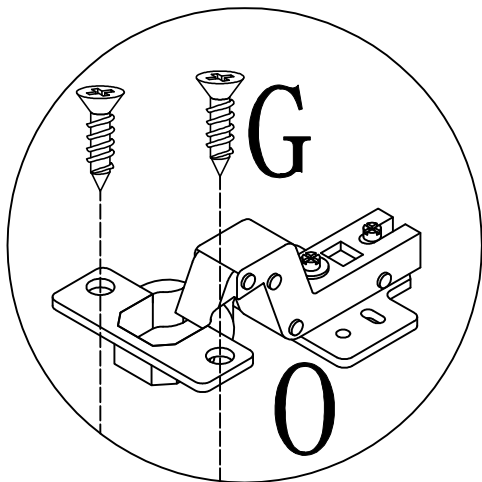
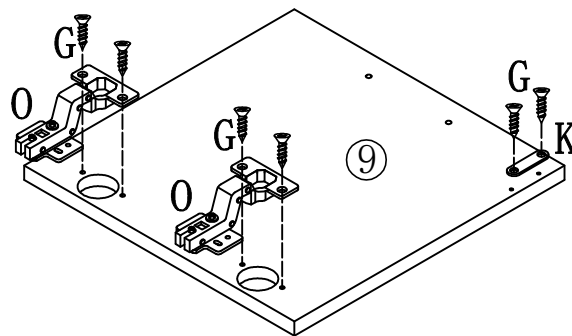





# STEP 11



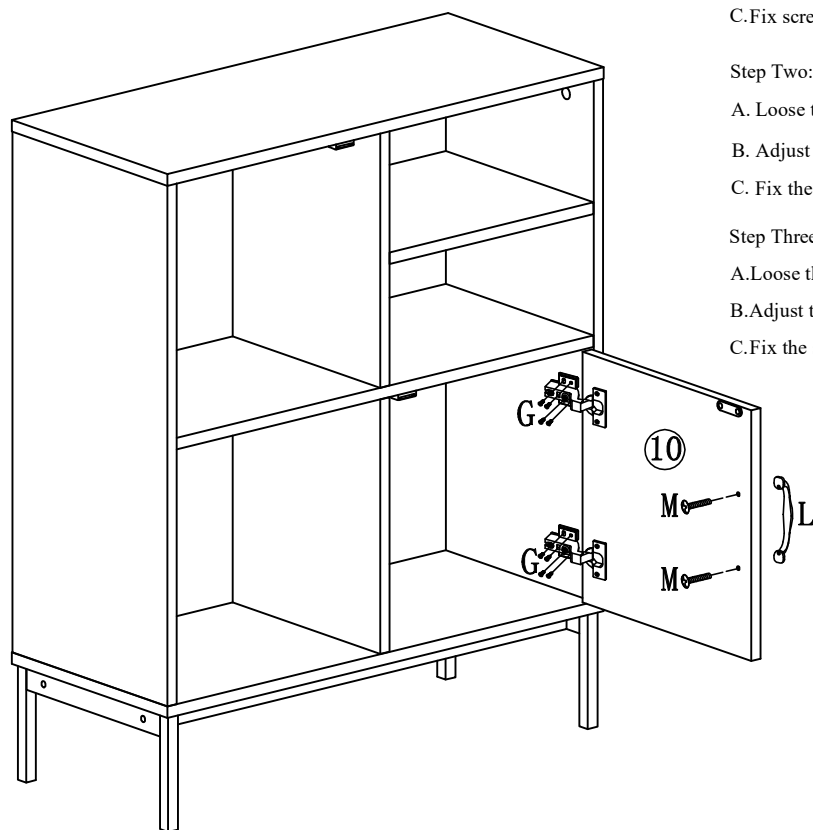
|  |    |  |    |
|--|----|--|----|
| B  | X6 | C  | X3 |
|  |    |  |    |
| $\phi$ 15X12   |    | $\phi$ 8X30  |    |

# STEP 12



|  |     |   |    |   |    |
|--|-----|---|----|---|----|
| G  | X12 | K   | X2 | O   | X4 |
|  |     |  |    |  |    |
| 3.5*14mm   |     | 45*12*1mm   |    |   |    |

# STEP 13



Step One:

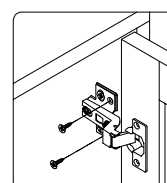
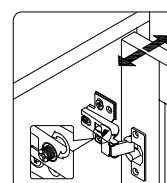
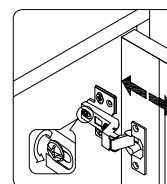
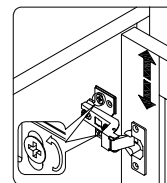
- A. loose screw M slightly;
- B. Adjust the door up and down till door is in proper position;
- C. Fix screw M tight.




Step Two:

- A. Loose the screw G on the right of Hinge;
- B. Adjust the door fit in the middle of gap;
- C. Fix the screw G on the right.

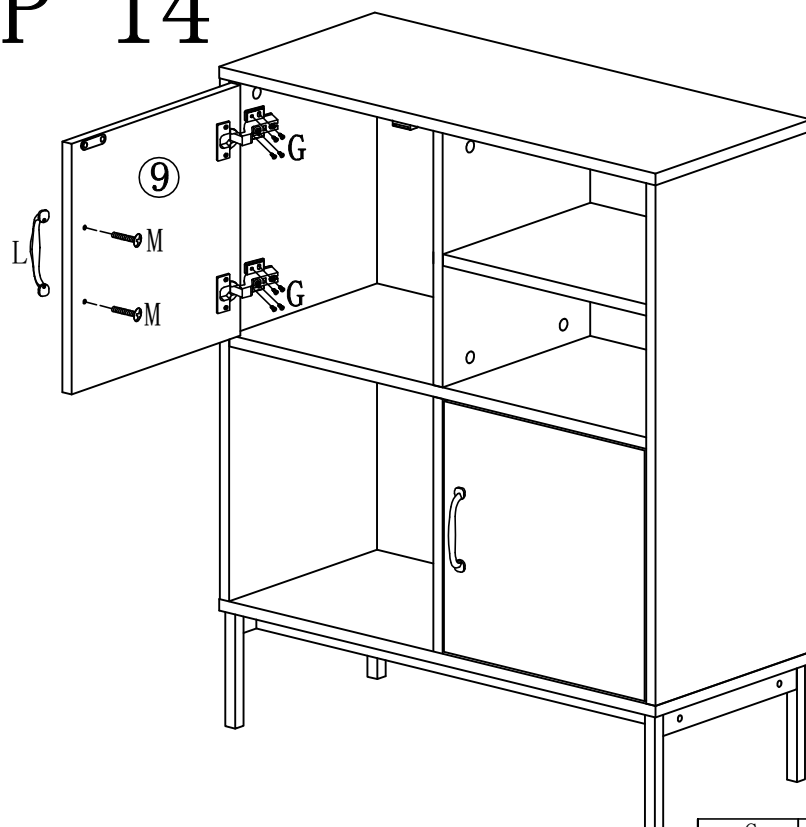
Step Three:




- A. Loose the screw G on the left of Hinge;
- B. Adjust the door left and right to fit it in middle;
- C. Fix the screw G on the left.



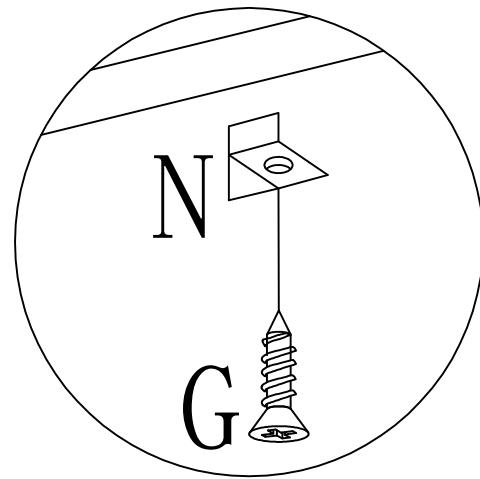
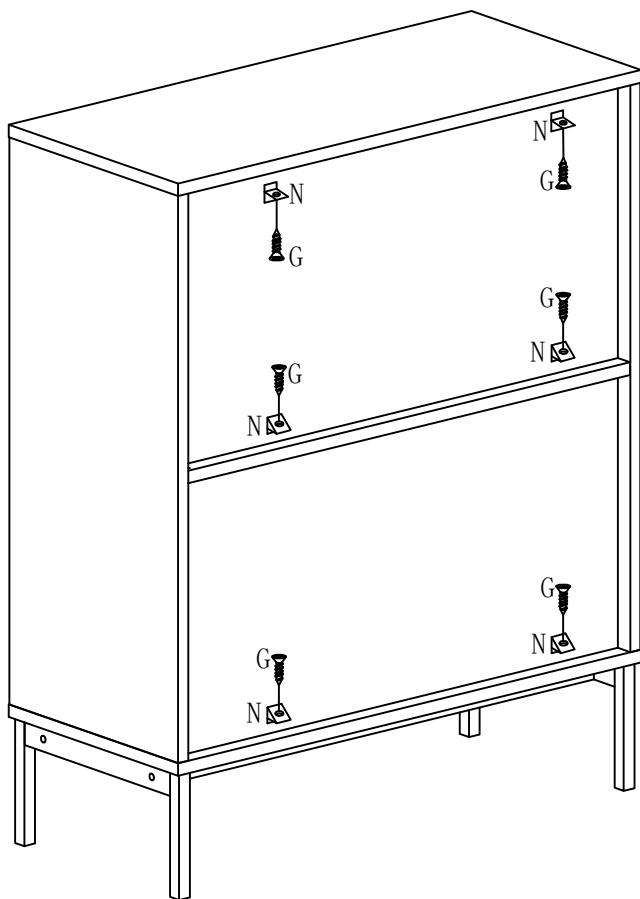
| G  | X8 | L  | X1 | M  | X2 |
|--|----|--|----|--|----|
|  |    |  |    |  |    |
| ∅3.5*14mm  |    | 131*20*23mm  |    | M4*18mm  |    |

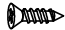

# STEP 14



| G   | X8 | L   | X1 | M   | X2 |
|---|----|---|----|---|----|
|  |    |  |    |  |    |
| ∅3.5*14mm   |    | 131*20*23mm   |    | M4*18mm   |    |

# STEP 15



| G  | X6 | N  | X6 |
|--|----|--|----|
|  |    |  |    |
| ø3.5*14mm  |    | 14*14*9mm  |    |

# STEP 16

