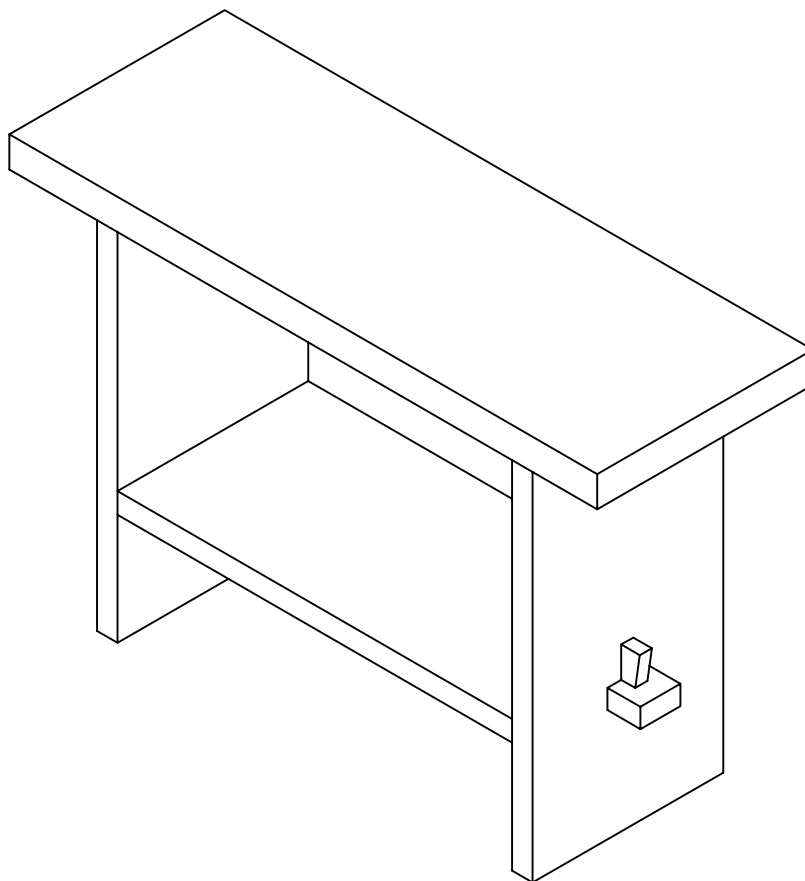


Let's build the

Virgo Console Table

SKU 37301



Scan me!

Inspiration
Digital Instructions
Free Lifetime Warranty

nathan james

Ok, let's get rolling

This should be easy, just follow our instructions and you will be back to Netflix in no time.

Estimated time for assembly



30:00

What you need

- Some of your favourite bubbly or your preferred relaxant
- Use the packaging carton as a working surface to prevent product damage during assembly
- Phillips head screwdriver

Do not use a drill



Weight Limitation



170

lbs table top

80

lbs bottom shelf



250

lbs total

What's included

Description	Qty
A Tabletop	1
B Leg Panel	2
C Bottom Shelf	1
D Decorative Tenon	2
E Tenon Wedge	2

Toll-free at 1-866-619-1004

Help@nathanjames.com

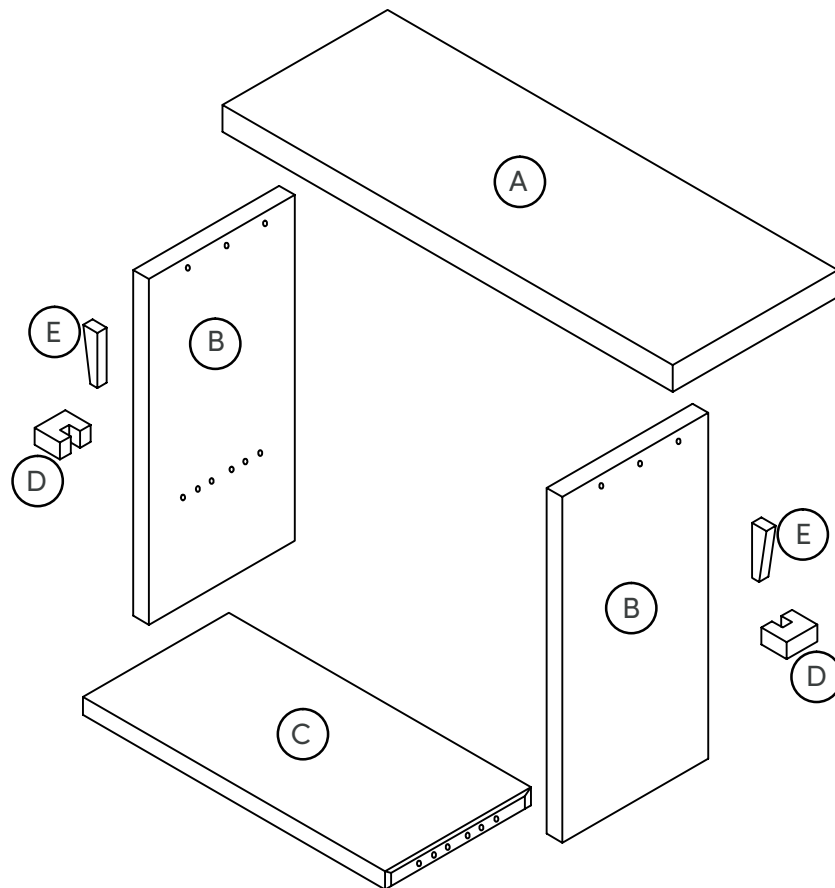
Nathanjames.com/help

Scan me!

Inspiration
Digital Instructions
Free Lifetime Warranty



The goods



IMPORTANT

1. Do not tighten bolts / screws completely until all bolts / screws are lined up and inserted into holes.
2. Do not over tighten screws and bolts to avoid stripping.
3. Please use hand tools to assemble this product. Do not use power tools.



What's included

	Description	Qty
1	1/4" x 1-3/4" Inch Hex Button Head Bolt	4
2	1/4" x 2-3/8" Inch Hex Button Head Bolt	6
3	1/4" x 3-3/16" Inch Hex Button Head Bolt	4
4	1/4" x 3/8" Inch Spring Washer	14
5	1/4" x 3/4" Inch Flat Washer	14
6	Allen Key	1
7	8*30MM Wooden Dowel	4
8	Plastic Bracket (for Anti-Tip)	2
9	Wall Anchor (for Anti-Tip)	2
10	M4*38mm Screw (for Anti-Tip)	2
11	M3.5*15MM Screw (for Anti-Tip)	2
12	Plastic Tether (for Anti-Tip)	1
13	Plastic Head Nail (Extra)	4



The goods

1



2



3



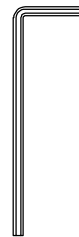
4



5



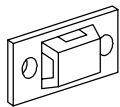
6



7



8



9



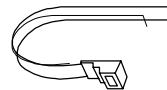
10



11



12



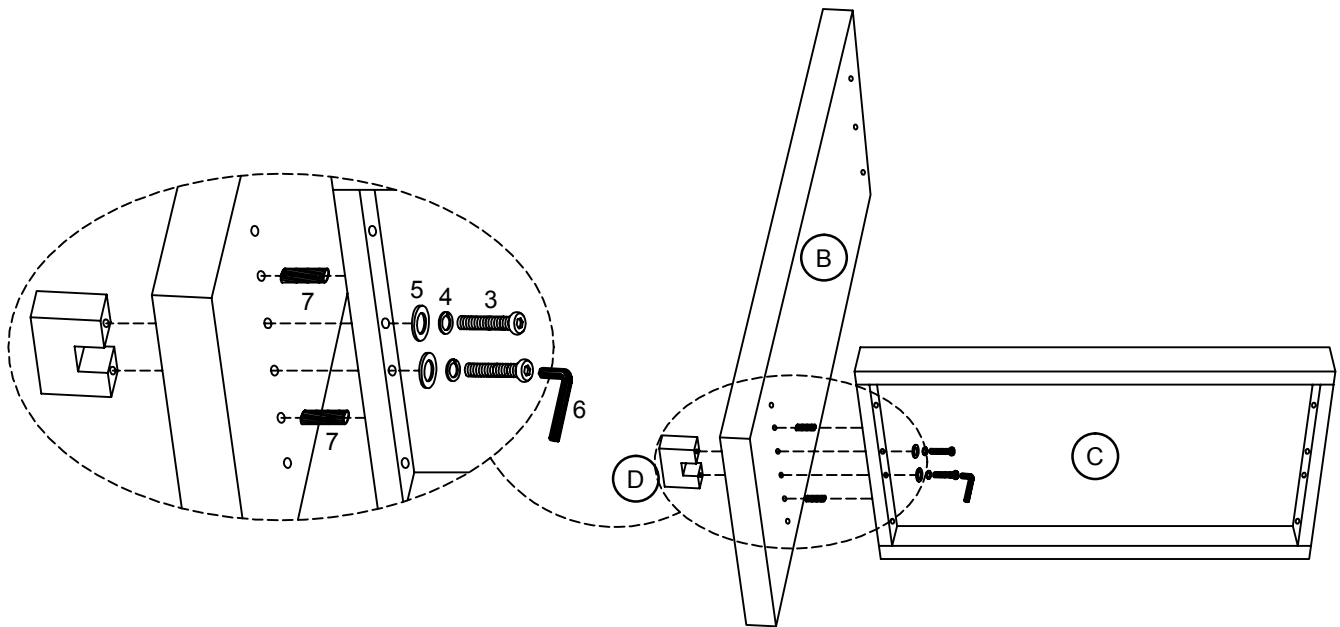
13



Step 1

Alright, let's get started! Don't worry, you can do this. It'll only take 30 minutes - plenty of time to get back to your Netflix show!

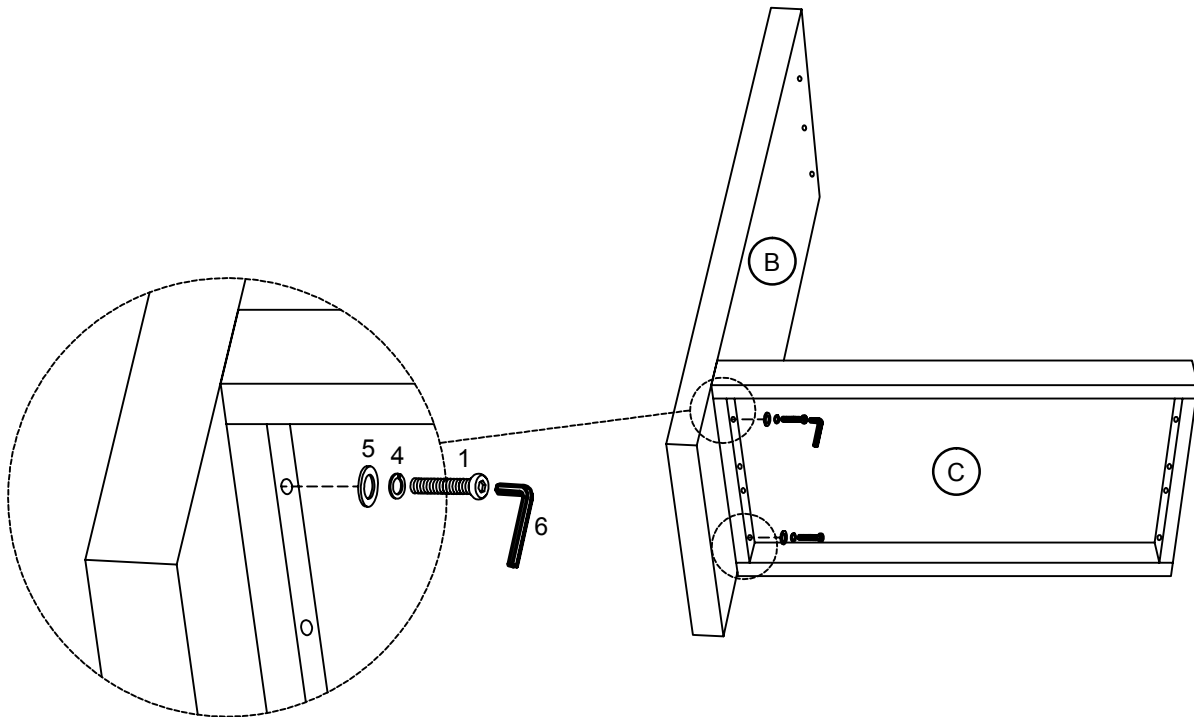
First things first, attach the Bottom Shelf (C) to the Leg Panel (B) by placing the Wooden Dowels (7) into the pre-drilled holes. Secure the Decorative Tenon (D) to the Leg Panel (B) and Bottom Shelf (C) using the Flat Washer (5), Spring Washer (4), and 1/4" x 3-3/16" Inch Hex Button Head Bolt (3). Secure using the provided Allen Key (6).



Step 2

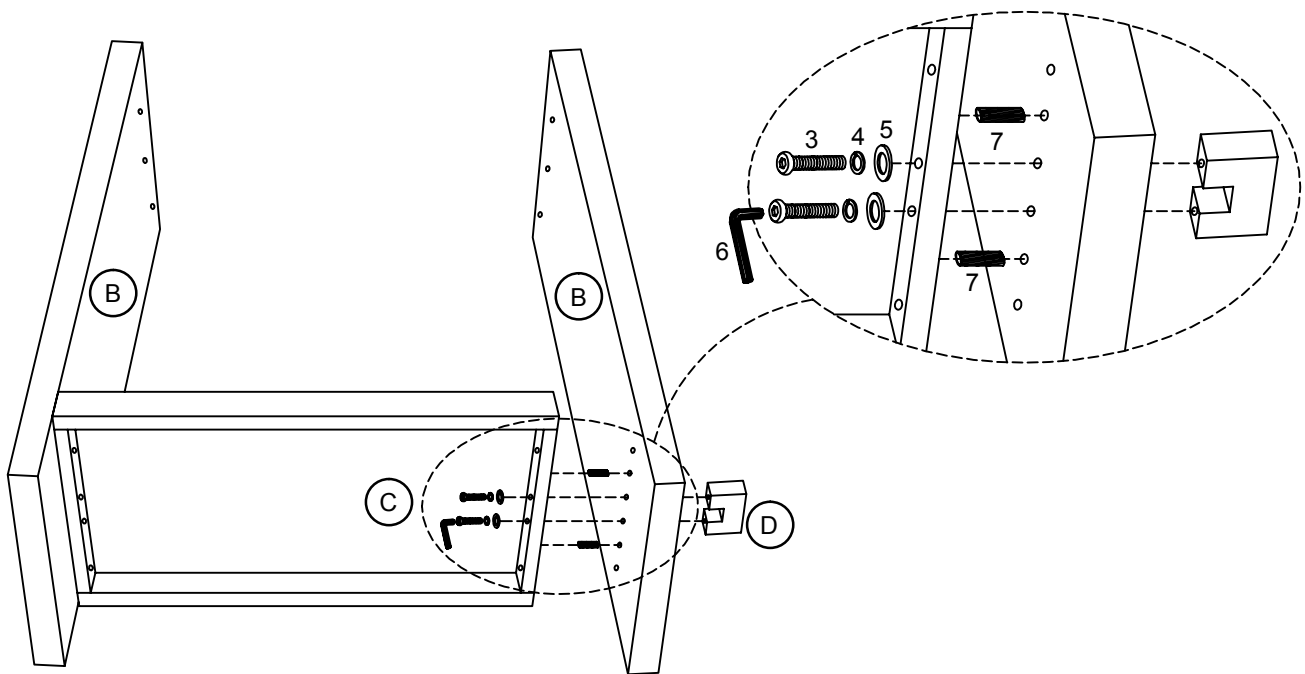
We're off to a great start!

Grab another pair of Flat Washers (5) and Spring Washers (4), and a 1/4" x 1-3/4" Inch Hex Button Head Bolt (1) and secure the Bottom Shelf (C) into the Leg Panel (B).



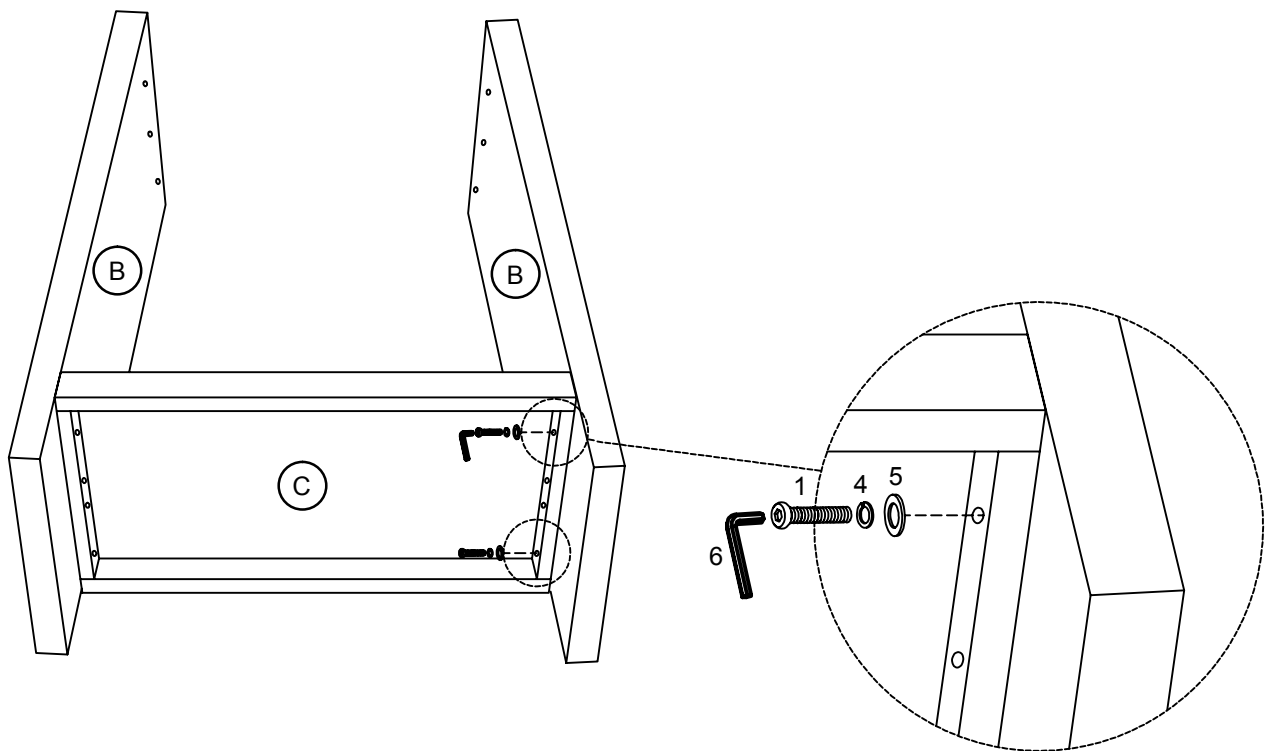
Step 3

No this isn't Deja-Vu. Repeat Steps 1 and 2 with the other side of the console table.



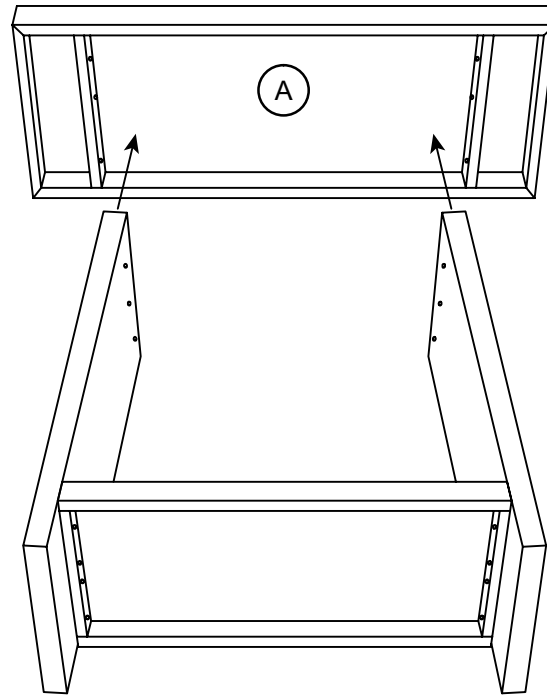
Step 4

You guessed it: Grab another pair of Flat Washers (5) and Spring Washers (4), and a 1/4" x 1-3/4" Inch Hex Button Head Bolt (1) and secure the Bottom Shelf (C) into the Leg Panel (B).



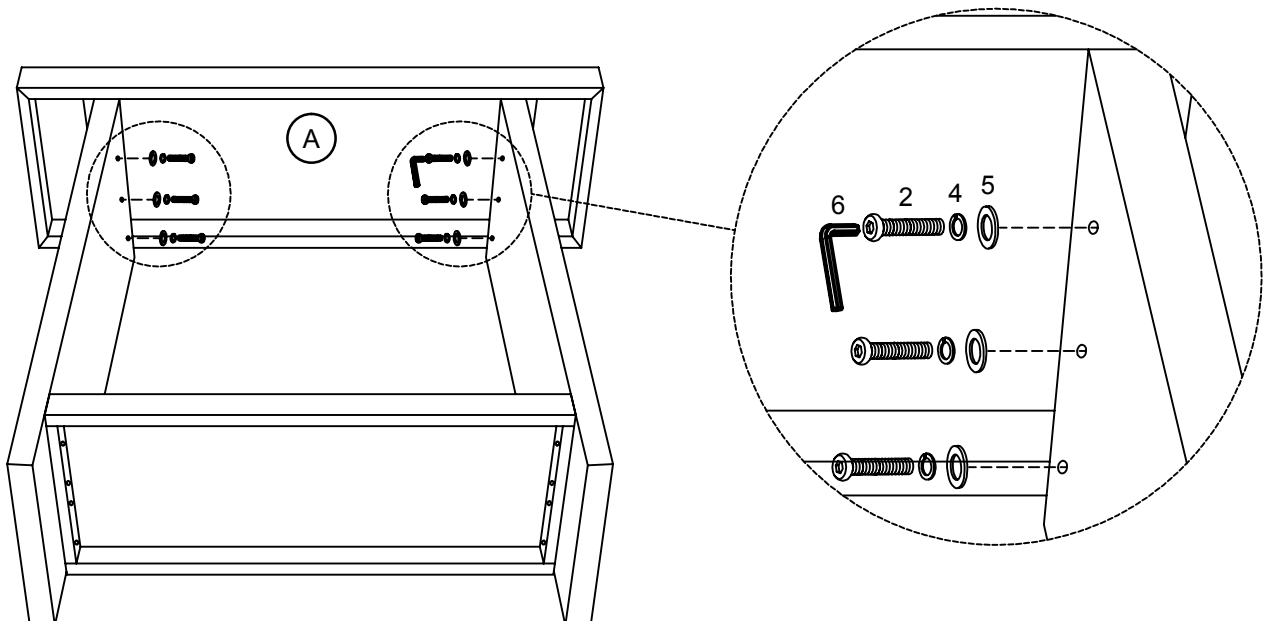
Step 5

Carefully place the Tabletop (A) onto the base you just assembled.



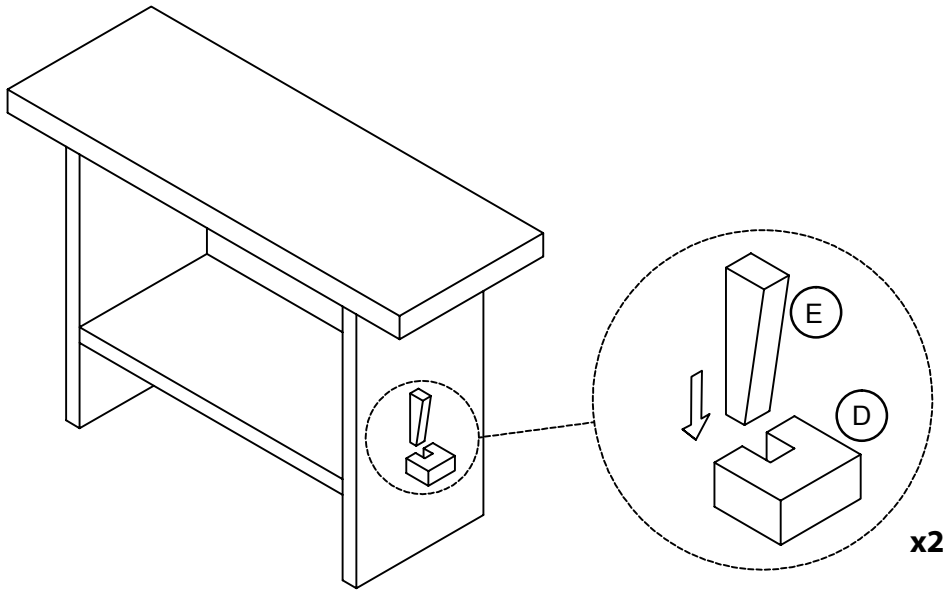
Step 6

Secure the Tabletop (A) to the base using the Flat Washers (5) and Spring Washers (4) and 1/4" x 2-3/8" Inch Hex Button Head Bolts (2). Secure using the Allen Key (6).



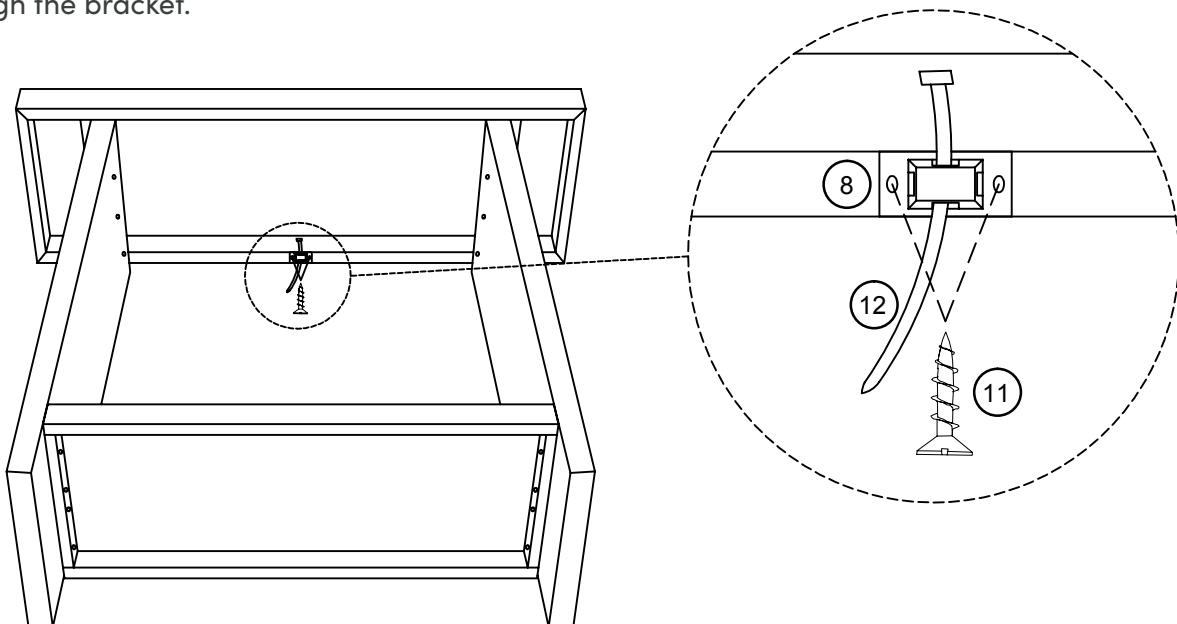
Step 7

Take the Tenon Wedge (E) and (you guessed it again!) wedge it in the Decorative Tenon (D) like two pieces of a puzzle. Repeat for both sides!



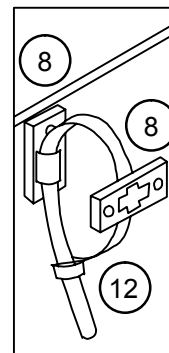
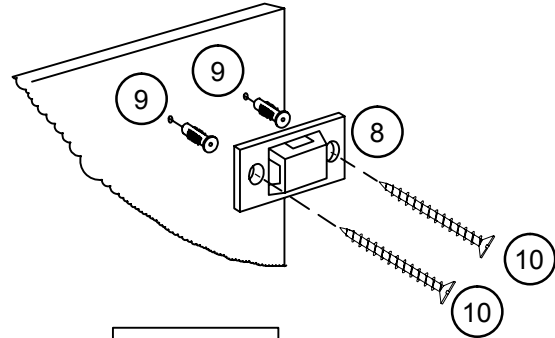
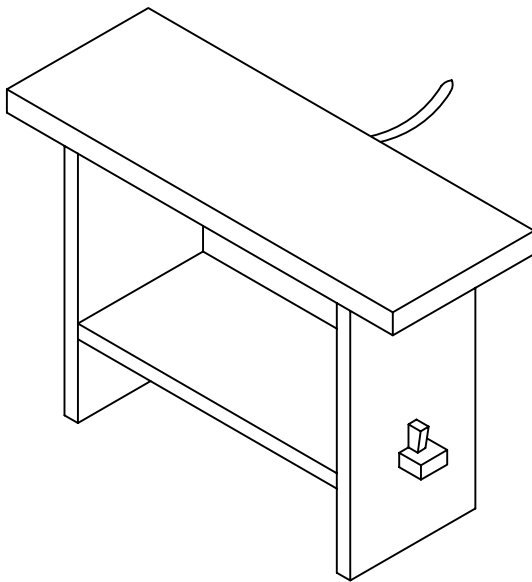
Step 8

Secure the Plastic Bracket (8) to the underside of the console table with two M3.5*15MM Screws (11) and then thread the Plastic Tether (12) through the bracket.



Step 9

Safety first! Let's finish securing your console table to the wall. Mark two attachment points with a pencil at the appropriate height on the wall where the other Plastic Bracket (8) will rest. Drill two pilot holes into the wall where you marked with a pencil and push the Wall Anchors (9) in. Secure the Plastic Bracket (8) to the wall over the Wall Anchors (9) with the M4*38MM Screws (10). Tether to the wall, as shown below.



Tether to the wall.

And that's it, you've got a new console table! The perfect spot to put that pizza you'll be ordering any minute now...



No heartburn, when we handle the return

Give us a call **1-866-619-1004** or shoot us a message at **help@nathanjames.com** we will issue you a free replacement with **zero hassle**.

Our way



Give us a call



Replacement



You

Their way



Re-package item



Schedule pick up



Track package



Replacement



You

We really don't want you to go through the hassle of re-packaging your item and sending it back, because let's be honest...nobody has time for that.



Safety first, fun later

We want your Virgo Console Table to last as long as possible, so we recommend that you tighten the screws 2 weeks after assembly and for added safety check the tightness of all screws every 2 months.

For proper care and treatment please check our website at NathanJames.com/products

Safe use of this product starts with you.

Use this console table responsibly with the primary concern for your safety. Follow assembly instructions carefully and inspect product upon receipt and each use.

Nathan James and its parent companies cannot be held legally responsible for any injuries or death resulted from failure to follow instructions or improper use of this product.

Do not modify the structure of this product in any way.

Our products have been tested to meet specific safety measures as they were originally intended to be sold. Any modifications will present the risk of creating significant safety issues which NJ will not be responsible for.

Proper use

- DO NOT** use for commercial purposes
- DO NOT** place on uneven floor or surface
- DO NOT** use as a step stool or stand on table
- DO NOT** leave spilled liquid on table top
- DO NOT** put hot serving liquid directly on table top
- DO NOT** use table if damaged or broken
- DO NOT** make temporary repairs
- DO NOT** use outdoors



We are only in business if you're happy

For starters, thanks for being you.

☎ Toll-free at 1-866-619-1004

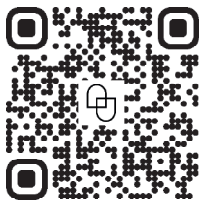
✉ Help@nathanjames.com

🌐 NathanJames.com/help

We do our best to ensure your furniture arrives without any problems, but occasionally mistakes happen—as humans we are imperfect beings. In the event that a part is damaged or missing, we will be more than happy to provide you with replacement part(s) for free.

Warranty

This product comes with a lifetime warranty from the date of purchase. Please use your phone to scan the QR code to register your product or visit <https://goo.gl/i9dk3q>



Did we do alright? Please spread the love!

If you are happy with your product, tell your friends and family about us or even better leave us a review online. Spreading the word gives us the opportunity to make more people happy and keep our prices low for your next purchase.

Brooklyn Burden

Founder, Nathan James