



**Register** your  
appliance and join  
the Bosch  
family of perks:  
[bosch-home.com/us/  
mybosch](https://bosch-home.com/us/mybosch)



# Fridge-freezer combination

**B36CT..**

<b>[en-us]</b> Use and Care Manual	Fridge-freezer combination	2
<b>[fr-ca]</b> Manuel d'utilisation	Combiné réfrigérateur-congélateur	33
<b>[es-mx]</b> Manual del usuario	Refrigerador/congelador	65

Further information and explanations are available online:



## Table of contents

<b>1 Safety</b> .....	<b>4</b>	7.3 Switching off the appliance.....	14
1.1 Safety definitions.....	4	7.4 Setting the temperature unit.....	14
1.2 General information.....	4	7.5 Setting the temperature.....	14
1.3 Intended use.....	4	7.6 Cold storage compartment storage setting.....	14
1.4 Restrictive Use.....	4	<b>8 Additional functions</b> .....	<b>15</b>
1.5 Safe transport.....	4	8.1 Super cooling.....	15
1.6 Safe installation.....	4	8.2 Super freezing.....	15
1.7 Safe use.....	5	8.3 Vacation mode.....	15
1.8 Damaged appliance.....	5	8.4 Energy-saving mode.....	15
1.9 State of California Proposition 65 Warnings.....	6	8.5 Freshness mode.....	15
<b>2 Preventing material damage</b> .....	<b>7</b>	8.6 Interior lighting.....	16
<b>3 Environmental protection and energy-saving</b> .....	<b>7</b>	8.7 Sabbath mode.....	16
3.1 Disposal of packaging.....	7	8.8 Filter change notification.....	16
3.2 Saving energy.....	7	8.9 Filter change status.....	16
<b>4 Installation and connection</b> .....	<b>7</b>	<b>9 Alarm</b> .....	<b>16</b>
4.1 Included in delivery.....	7	9.1 Door alarm.....	16
4.2 Criteria for the installation location.....	8	9.2 Temperature alarm.....	17
4.3 Installing the appliance.....	8	<b>10 Home Connect®</b> .....	<b>17</b>
4.4 Preparing the appliance for first use.....	8	10.1 Setting up Home Connect®.....	17
4.5 Connecting the appliance to the drinking water connection.....	8	10.2 Checking the signal strength.....	17
4.6 Connecting the appliance to the electricity supply.....	8	10.3 Installing updates for the Home Connect software.....	18
<b>5 Familiarizing yourself with your appliance</b> .....	<b>9</b>	10.4 Resetting the Home Connect® settings.....	18
5.1 Appliance.....	9	10.5 Remote Diagnostics.....	18
5.2 Control panel.....	10	10.6 Data Protection.....	18
5.3 Control panel (submenu).....	11	<b>11 Refrigerator compartment</b> .....	<b>18</b>
5.4 Control panel (cold storage compartment).....	12	11.1 Tips for storing food in the refrigerator compartment.....	18
<b>6 Features</b> .....	<b>12</b>	11.2 Chill zones in the refrigerator compartment.....	19
6.1 Shelf.....	12	<b>12 Cold storage compartment</b> .....	<b>19</b>
6.2 Equipment bar.....	12	12.1 Storage recommendations for the cold storage compartment.....	19
6.3 Fixed shelf.....	13	<b>13 Freezer compartment</b> .....	<b>19</b>
6.4 Pull-out container.....	13	13.1 Tips for storing food in the freezer compartment... ..	19
6.5 Cold storage container.....	13	13.2 Tips for freezing fresh food.....	19
6.6 Container divider.....	13	13.3 Defrosting methods for frozen food.....	19
6.7 Flat frozen food container.....	13	<b>14 Water system</b> .....	<b>19</b>
6.8 Frozen food pull-out container.....	13	14.1 Water filter.....	20
6.9 Suspended frozen food container.....	13	14.2 Filter change notification.....	20
6.10 Butter and cheese compartment.....	13	14.3 Filter change status.....	20
6.11 Door tray.....	13	14.4 Water dispenser.....	21
6.12 Ice storage container.....	13	14.5 Ice maker.....	21
6.13 Accessories.....	14		
<b>7 Basic Operation</b> .....	<b>14</b>		
7.1 Switching on the appliance.....	14		
7.2 Operating tips.....	14		

<b>15 Defrosting</b> .....	<b>22</b>
15.1 Defrosting in the refrigerator compartment .....	22
15.2 Defrosting in the cold storage compartment .....	22
15.3 Defrosting in the freezer compartment .....	22
<b>16 Cleaning and maintenance</b> .....	<b>22</b>
16.1 Preparing the appliance for cleaning .....	22
16.2 Cleaning the appliance.....	22
16.3 Removing the fittings.....	23
16.4 Removing the appliance components .....	25
<b>17 Troubleshooting</b> .....	<b>28</b>
17.1 Power failure.....	31
17.2 Conducting an appliance self-test .....	31
<b>18 Storage and disposal</b> .....	<b>31</b>
18.1 Taking the appliance out of operation .....	31
18.2 Disposal of your old appliance .....	31
<b>19 Customer Service</b> .....	<b>31</b>
19.1 Model number (E-Nr.) and production number (FD) .....	32
<b>20 Technical specifications</b> .....	<b>32</b>
20.1 Information regarding free and open source software .....	32



# IMPORTANT SAFETY INSTRUCTIONS

## READ AND SAVE THESE INSTRUCTIONS

---

Observe the following safety instructions.

### 1.1 Safety definitions

Here you can find explanations of the safety signal words used in this manual.

#### **WARNING**

This indicates that death or serious injuries may occur as a result of non-observance of this warning.

#### **CAUTION**

This indicates that minor or moderate injuries may occur as a result of non-observance of this warning.

#### **NOTICE:**

This indicates that damage to the appliance or property may occur as a result of non-compliance with this advisory.

**Note:** This alerts you to important information.

### 1.2 General information

- Read this manual carefully.
- Keep the manual and the product information in a safe place for future reference or for the next owner.
- Do not connect the appliance if it has been damaged in transit.

### 1.3 Intended use

Only use this appliance:

- for chilling and freezing food, making ice and dispensing water.
- for normal household use and in enclosed spaces in a residential environment.
- Up to an altitude of 13,100 ft (4000 m) above sea level.

### 1.4 Restrictive Use

This appliance is not intended for use by persons (including children) with reduced physical, sensory or mental capabilities, or lack of experience and knowledge, unless they have been given supervision or instruction concerning use of the appliance by a person responsible for their safety.

Do not let children play with the appliance.

Cleaning and user maintenance must not be performed by children unless they are being supervised.

### 1.5 Safe transport

#### **WARNING**

The heavy weight of the appliance may result in injury when lifted.

- ▶ Do not lift the appliance on your own.

### 1.6 Safe installation

#### **WARNING**

To avoid risk of injury from incorrect installations, observe the following.

- ▶ Ensure all installation instructions are followed before use.
- ▶ Connect and operate the appliance only in accordance with the specifications on the rating plate.
- ▶ Connect the appliance to a power supply with alternating current only via a correctly installed socket outlet with grounding.
- ▶ The protective conductor system of the domestic electrical installation must be properly installed.
- ▶ Never equip the appliance with an external switching device, e.g. a timer or remote control.
- ▶ When the appliance is installed, the mains plug of the power cord must be freely accessible. If free access is not possible, an isolating switch must be integrated into the permanent electrical installation according to the installation regulations.
- ▶ When installing the appliance, check that the power cord is not trapped or damaged.

To avoid risk of injury from damaged insulation of the power cord, observe the following.

- ▶ Never let the power cord come into contact with heat sources.

#### **WARNING**

If the appliance's ventilation openings are closed off, a leak in the refrigeration circuit may result in a flammable mixture of gas and air.

- ▶ Keep ventilation openings in the appliance casing or in the integrated casing clear of obstruction.

#### **WARNING**

To avoid risk of injury from an extended power cord and non-approved adapters, observe the following.

- ▶ Do not use extension cords or multiple socket strips.
- ▶ Only use adapters and power cords approved by the manufacturer.



# IMPORTANT SAFETY INSTRUCTIONS

## READ AND SAVE THESE INSTRUCTIONS

- ▶ If the power cord is too short and a longer one is not available, please contact an electrician to have the domestic installation adapted.

Multiple-socket strips or portable power supply units may overheat and cause a fire.

- ▶ Do not place multiple-socket strips or power supply units on the back of the appliance.

### 1.7 Safe use

#### WARNING

Moisture intrusion may cause an electric shock.

- ▶ Use the appliance in enclosed spaces only.
- ▶ Never expose the appliance to intense heat or humidity.
- ▶ Do not use any steam cleaners or high-pressure cleaners to clean the appliance.

#### WARNING

Children may pull packaging material over their heads, or wrap themselves up in it and suffocate.

- ▶ Keep packaging material away from children.
  - ▶ Do not allow children to play with packaging material.
- Children may breathe in or swallow small parts, causing them to suffocate.
- ▶ Keep small parts away from children.
  - ▶ Do not allow children to play with small parts.

#### WARNING

If the cooling circuit is damaged, flammable refrigerant may escape and explode.

- ▶ To accelerate the defrosting process, do not use any other mechanical devices or means other than those recommended by the manufacturer.
- ▶ If food is stuck to the freezer compartment, loosen it with a blunt implement such as the handle of a wooden spoon.

Products which contain flammable propellants and explosive substances may explode, e.g. spray cans.

- ▶ Do not store products which contain flammable propellants (e.g. spray cans) or explosive substances in the appliance.

#### WARNING

Electrical devices placed inside the appliance may cause a fire, e.g. heaters or electric ice makers.

- ▶ Do not operate electrical devices within the appliance.

#### WARNING

Containers which contain carbonated drinks may burst.

- ▶ Do not store containers that contain carbonated drinks in the cold storage compartment below 34 °F (1 °C).
- ▶ Do not store containers which contain carbonated drinks in the freezer compartment.

Injury to the eyes caused by escaping flammable refrigerant and hazardous gases.

- ▶ Do not damage the tubes of the refrigerant circuit or the insulation.

The appliance may tip.

- ▶ Do not stand or lean on the base, runners or doors.

#### WARNING

Contact with frozen food and cold surfaces may cause burns by refrigeration.

- ▶ Never put frozen food straight from the freezer compartment into your mouth.
- ▶ Avoid prolonged skin contact with frozen food, ice and surfaces in the freezer compartment.

#### CAUTION

To prevent food from being contaminated, you must observe the following instructions.

- ▶ Leaving the door open for an extended period of time may lead to a considerable temperature increase in the compartments of the appliance.
  - ▶ Regularly clean the surfaces that may come into contact with food and accessible drain systems.
  - ▶ If water has not been dispensed for 5 days, flush the water system.
  - ▶ Store raw meat and fish in suitable containers in the refrigerating appliance so that they do not touch or drip on other food.
  - ▶ If the fridge/freezer is empty for an extended period of time, switch off the appliance, defrost it, clean it and leave the door open to prevent the formation of mold.
- Metal or metal-style parts in the appliance may contain aluminum. If acidic food comes into contact with aluminum in the appliance, aluminum ions may pass into the food.
- ▶ Do not consume soiled food.

### 1.8 Damaged appliance

#### WARNING

To avoid risk of injury from a damaged appliance or power cord, observe the following.

- ▶ Never operate a damaged appliance.



# IMPORTANT SAFETY INSTRUCTIONS

## READ AND SAVE THESE INSTRUCTIONS

---

- ▶ Never pull on the power cord to unplug the appliance. Always unplug the appliance at the power outlet.
- ▶ If the appliance or the power cord is damaged, immediately unplug the power cord or switch off the breaker in the circuit breaker box and turn off the water tap.
- ▶ Call Customer Service. → *Page 31*

To avoid risk of injury from improper repairs, observe the following.

- ▶ Only qualified technicians or authorized service providers should perform repairs.
- ▶ Only genuine spare parts may be used to repair the appliance.
- ▶ If the power cord or the appliance power cable of this appliance becomes damaged, it must be replaced with a special power cord or special appliance power cable, which is available from the manufacturer or the manufacturer's Customer Service.

### WARNING

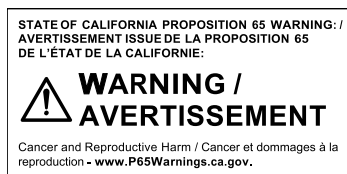


If the tubes are damaged, flammable refrigerant and harmful gases may escape and ignite.

- ▶ Keep open flames and ignition sources away from the appliance.
- ▶ Ventilate the room.
- ▶ Switch off the appliance. → *Page 14*
- ▶ Unplug the appliance from the power source or switch off the circuit breaker in the fuse box.
- ▶ Call Customer Service. → *Page 31*

## 1.9 State of California Proposition 65 Warnings

This product may contain a chemical known to the State of California, which can cause cancer or reproductive harm. Therefore, the packaging of your product may bear the following label as required by California:



## 2 Preventing material damage

### NOTICE:

The high weight of the appliance or, if not rolled in a straight line, the appliance's castors may damage the floor when the appliance is moved.

- ▶ Transport the appliance using a hand-cart.
- ▶ Use floor protection when moving the appliance, and do not move it in a zigzag fashion.

When the appliance door is closed, the mullion rail should be closed (flush with the door edge) or damage may occur.

- ▶ Never open the mullion rail manually.
- ▶ If the mullion rail has been opened, rotate it closed (flush with the door edge) before closing the appliance door.

Using the appliance, base, runners or doors as a seat or climbing surface may damage the appliance.

- ▶ Do not stand or lean on the appliance, base, runners or doors.

To avoid damage to the appliance or property damage, observe the following.

- ▶ Do not connect the appliance to the water line during construction or if the water appears cloudy or contains visible particles. Failure to follow these instructions may result in foreign materials entering the appliance, which could impair its performance, or cause water leakage.

If the water pressure is too high or too low, this may impair functioning of the appliance.

- ▶ Make sure that the water pressure in the water supply system is at least 29 psi (200 kPa) and max. 116 psi (800 kPa).
- ▶ If the water pressure exceeds the maximum value specified, a pressure-reducing valve must be installed between the drinking water connection and the hose set of the appliance.

Modified or damaged water hoses may result in material damage and damage to the appliance.

- ▶ Never kink, crush, modify or cut through water hoses.
- ▶ Never re-use water hoses that have been used before.
- ▶ Never pull on the water hose on the rear panel of the appliance.

Contamination with oil or fat may cause plastic parts and door seals to become porous.

- ▶ Keep plastic parts and door seals free of oil and grease.

Metal or metal-style parts in the appliance may contain aluminum. When aluminum comes into contact with acidic foods, it corrodes and discolors.

- ▶ Only store packaged food in the appliance.

If you clean fittings and accessories in the dishwasher, this may cause them to become deformed or discolor.

- ▶ Never clean fittings and accessories in the dishwasher.

## 3 Environmental protection and energy-saving

### 3.1 Disposal of packaging

The packaging materials are environmentally compatible and can be recycled.

- ▶ Sort the individual components by type and dispose of them separately.

### 3.2 Saving energy

If you follow these instructions, your appliance will use less power.

#### Selecting the installation location

- Keep the appliance out of direct sunlight.
- Install the appliance as far away as possible from heating elements, stoves and other heat sources:
  - Maintain a 1<sup>1</sup>/<sub>4</sub>" (30 mm) clearance to electric or gas stoves.
  - Maintain an 11<sup>13</sup>/<sub>16</sub>" (300 mm) clearance to oil or solid-fuel stoves.
- Never cover or block the external ventilation openings.

#### Saving energy during use

**Note:** The arrangement of the fittings does not affect the energy consumption of the appliance.

- Open the appliance only briefly and then close it carefully.
- Never cover or block the interior ventilation openings or the exterior ventilation openings.
- Transport purchased food in a cooler and place quickly in the appliance.
- Allow warm food and drinks to cool down before storing them.
- Thaw frozen food in the refrigerator compartment to utilize the low temperature of the food.
- Always leave some space between the food and to the back panel.
- Vacuum the external ventilation grilles when they are dusty.

## 4 Installation and connection

### 4.1 Included in delivery

After unpacking all the parts, check for any damage in transit and for completeness of delivery.

If you have any concerns, contact your dealer or our Customer Service → *Page 31*.

The delivery consists of the following:

- Free-standing appliance
- Equipment and accessories<sup>1</sup>
- Installation material


<sup>1</sup> Depending on the appliance specifications

- Installation instructions
- User manual
- Explanation of the limited product warranty
- Warranty enclosure<sup>1</sup>
- Energy label
- Information on energy consumption and noises
- Information about Home Connect®

## 4.2 Criteria for the installation location

### WARNING

If the appliance is in a space that is too small, a leak in the refrigeration circuit may result in a flammable mixture of gas and air.

- ▶ Only install the appliance in a space with a volume of at least 35 ft<sup>3</sup> (1 m<sup>3</sup>) per 0.3 oz (8 g) refrigerant. The amount of refrigerant is indicated on the rating label.  
→ "Appliance", Fig. , Page 10

The weight of the appliance from factory may be up to 345 lbs (155 kg) depending on the model.

The subfloor must be sufficiently stable to bear the weight of the appliance.

The surface must be level.

### Over-and-under and side-by-side installation

If you want to install 2 refrigerating appliances one over the other or side by side, you must maintain a clearance of at least 150 mm between the appliances. Selected appliances can be installed without a minimum clearance. Ask your dealer or kitchen planner about this.

## 4.3 Installing the appliance

- ▶ Install the appliance in accordance with the enclosed installation instructions.

## 4.4 Preparing the appliance for first use

1. Remove the information material.
2. Remove the protective film and transit bolts, e.g. remove the adhesive strips and cardboard.
3. Clean the appliance for the first time. → Page 22

## 4.5 Connecting the appliance to the drinking water connection

### Requirements

- A shut-off valve must be installed on the water connection and be freely accessible following installation of the appliance.
- Ensure that the water coming from the water connection is potable.
- The water hose has a sealing ring.


1. Draw mains water from the domestic drinking water connection until the water is no longer cloudy and containers no deposits.

If the mains water is still cloudy or contains deposits, install an external water filter system.

2. Install the water hose according to the enclosed installation instructions on the appliance.

## 4.6 Connecting the appliance to the electricity supply

1. Insert the appliance plug of the power cord into the appliance.
2. Insert the power plug of the appliance's power cord in a socket outlet with grounding nearby.

The connection data of the appliance can be found on the rating plate. → "Appliance", Fig. , Page 10

3. Check the power plug is inserted properly.
- ✓ The appliance is now ready to use.

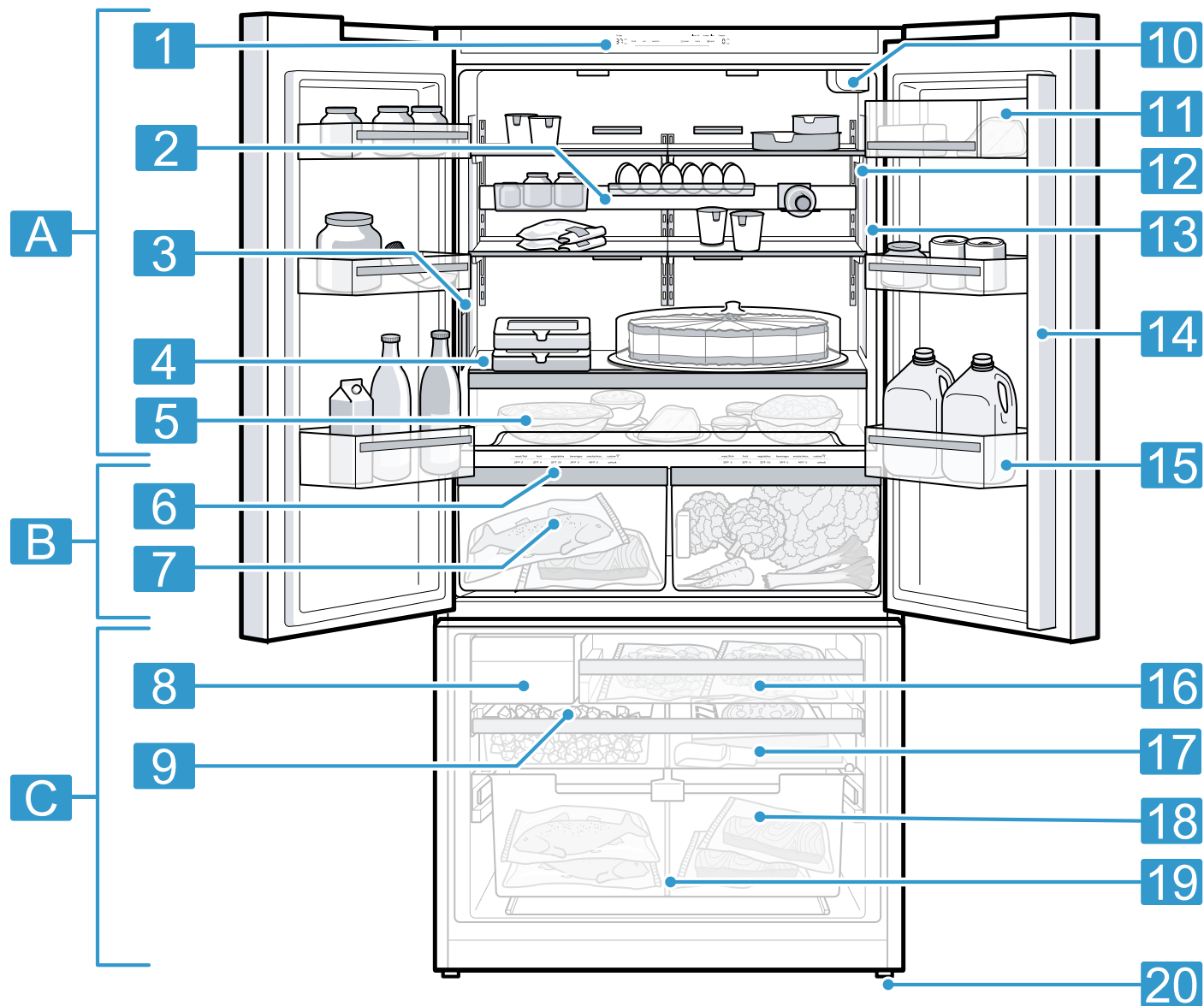
---

<sup>1</sup> Not in all countries

## 5 Familiarizing yourself with your appliance

### 5.1 Appliance

Here you can find an overview of the parts of your appliance.



**1**

Your appliance may differ from the diagrams with regard to cosmetic features and dimensions.

**A** Refrigerator compartment → *Page 18*

**B** Cold storage compartment → *Page 19*

**C** Freezer compartment → *Page 19*

**1** Control panel → *Page 10*

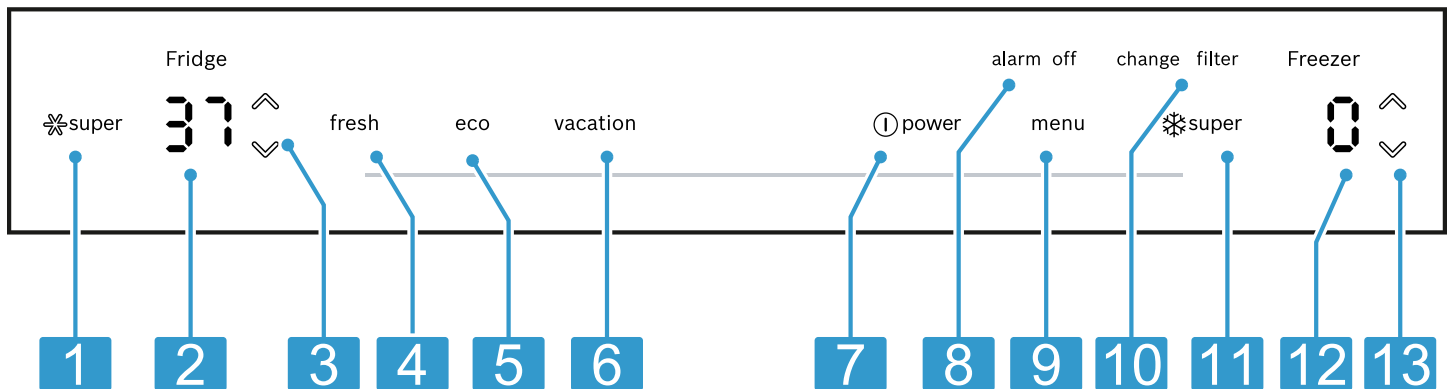
**2** Equipment bar → *Page 12*

**3** Water dispenser → *Page 21*

<b>4</b>	Fixed shelf → <i>Page 13</i>	<b>12</b>	Interior lighting
<b>5</b>	Pull-out container → <i>Page 13</i>	<b>13</b>	Rating label → <i>Page 32</i>
<b>6</b>	Control panel (cold storage compartment) → <i>Page 12</i>	<b>14</b>	Mullion rail with condensation protection → <i>Page 7</i>
<b>7</b>	Cold storage container → <i>Page 13</i>	<b>15</b>	Door tray for large bottles → <i>Page 13</i>
<b>8</b>	Ice cube maker → <i>Page 21</i>	<b>16</b>	Frozen food pull-out container → <i>Page 13</i>
<b>9</b>	Ice storage container → <i>Page 13</i>	<b>17</b>	Flat frozen food container → <i>Page 13</i>
<b>10</b>	Water filter → <i>Page 20</i>	<b>18</b>	Suspended frozen food container → <i>Page 13</i>
<b>11</b>	Butter and cheese compartment → <i>Page 13</i>	<b>19</b>	Container divider → <i>Page 13</i>
		<b>20</b>	Screw foot

## 5.2 Control panel

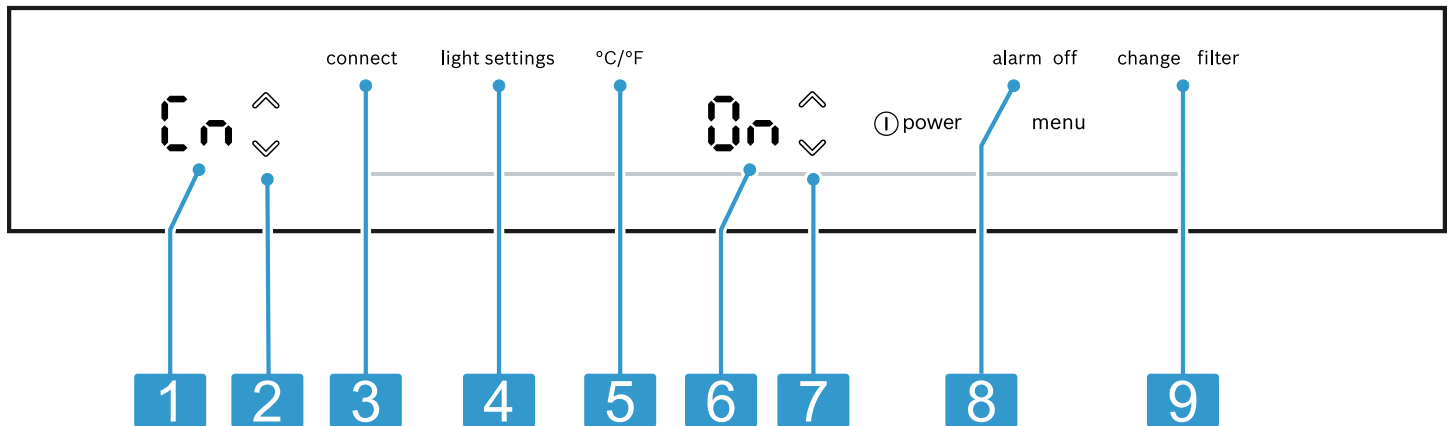
You can use the control panel to configure all functions of your appliance and to obtain information about the operating status.



- 2**
- |          |  |           |  |
|----------|--|-----------|--|
| <b>1</b> | *super switches Super cooling on or off.   | <b>8</b>  | alarm off switches off the alarm.  |
| <b>2</b> | Displays the set temperature for the refrigerator compartment in °F or °C.           | <b>9</b>  | menu opens and closes the menu.  |
| <b>3</b> | ∨/∧ (Refrigerator compartment) sets the temperature of the refrigerator compartment. | <b>10</b> | change filter lights up when the filter needs to be replaced.              |
| <b>4</b> | fresh switches freshness mode on or off.   | <b>11</b> | *super switches Super freezing on or off.                                  |
| <b>5</b> | eco switches energy-saving mode on or off.   | <b>12</b> | Displays the set temperature for the freezer compartment in °F or °C.      |
| <b>6</b> | vacation switches vacation mode on or off.   | <b>13</b> | ∨/∧ (Freezer compartment) sets the temperature of the freezer compartment. |
| <b>7</b> | ① power switches the appliance on or off.  |           |  |

### 5.3 Control panel (submenu)

You can configure further settings in the submenu.

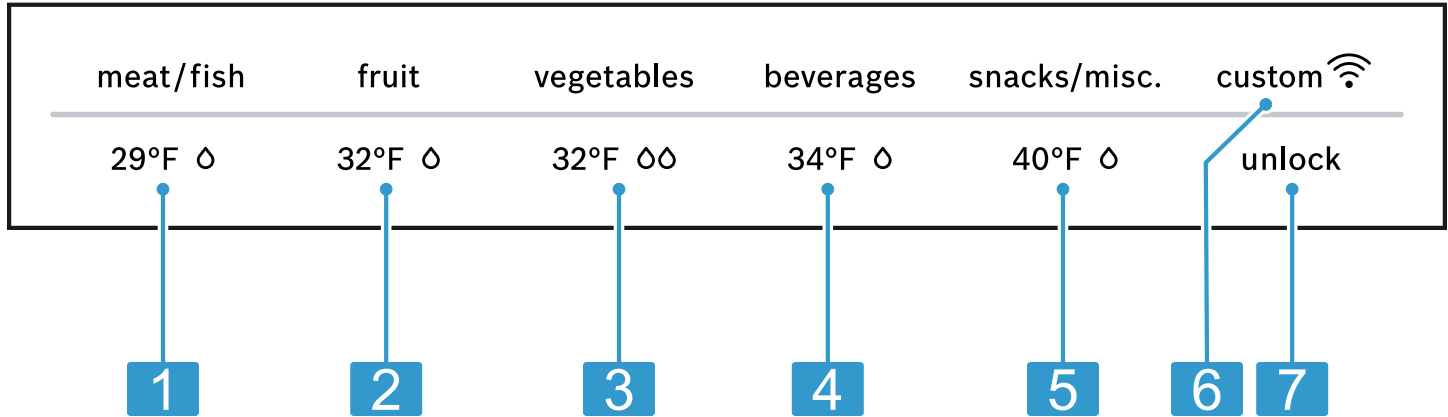


**3**

- |          |   |          |  |
|----------|---|----------|--|
| <b>1</b> | Displays the selected submenu.                          | <b>6</b> | Displays the settings of the submenu.                |
| <b>2</b> | ↕/↗ (Submenu) is used to navigate through the submenu.  | <b>7</b> | ↕/↗ (Submenu setting) changes the submenu setting.   |
| <b>3</b> | menu opens the menu for setting Home Connect.           | <b>8</b> | alarm off opens the menu for setting the door alarm. |
| <b>4</b> | light settings opens the menu for setting the lighting. | <b>9</b> | change filter opens the menu for setting the filter. |
| <b>5</b> | °C/°F opens the menu for changing the temperature unit. |          |  |

## 5.4 Control panel (cold storage compartment)

Using the control panel for the cold storage compartment, you can set the temperature and humidity in the cold storage compartment.



4

- 1 29°F sets the cold storage compartment storage setting for meat and fish.
- 2 32°F sets the cold storage compartment storage setting for fruit.
- 3 32°F sets the cold storage compartment storage setting for vegetables.
- 4 34°F sets the cold storage compartment storage setting for drinks.
- 5 40°F sets the cold storage compartment storage setting for snacks.
- 6 custom lights up if user-defined settings have been set via the Home Connect® app. You can find more information in the Home Connect® app.
- 7 unlock switches off the keylock for the control panel (cold storage compartment).

## 6 Features

The features of your appliance depend on the model.

### 6.1 Shelf

**NOTICE:**

If fitted at an angle, the hooks on the shelf can scratch the rear panel of the refrigerator compartment.

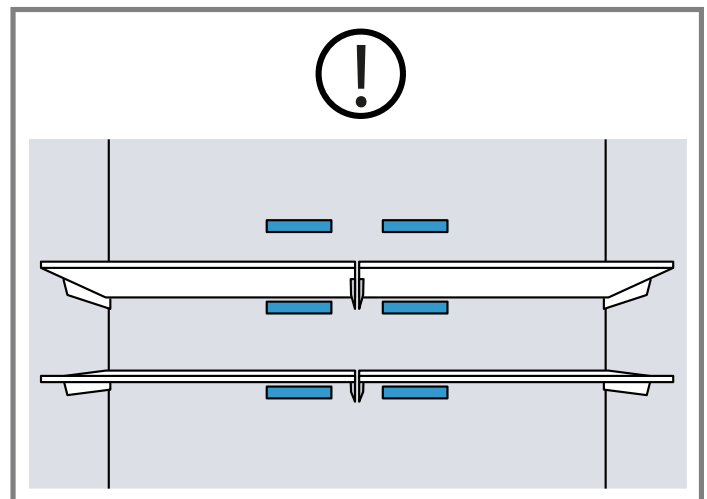
- ▶ Ensure that the shelf is horizontal and that the hooks are properly fitted in place.

To vary the shelf as desired, you can remove the shelf and re-insert it elsewhere.

→ "Removing the shelf", Page 23

**Note**

To avoid impeding the circulation of air, do not cover the inner ventilation openings.

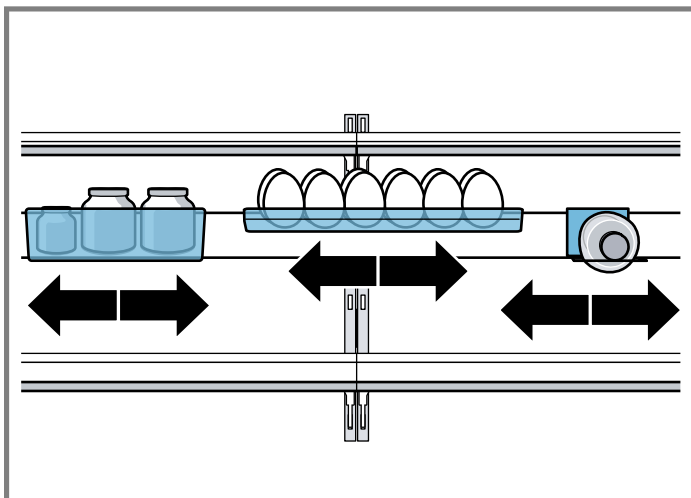


### 6.2 Equipment bar

The fittings on the equipment bar provide additional storage space in the refrigerator compartment:

- Store a bottle securely on the bottle shelf.
- Store preserving jars in the container.
- Store an egg carton on the shelf.

You can position the fittings anywhere along the equipment bar.



**NOTICE:**

If fitted at an angle, the hooks on the equipment bar can scratch the rear panel of the refrigerator compartment.

- ▶ Ensure that the equipment bar is horizontal and that the hooks are properly fitted in place.

You can remove the equipment bar and re-insert it at a different location.

→ "Removing the equipment bar", Page 23

**Tip:** Position the equipment bar in the centre of the refrigerator compartment.

### 6.3 Fixed shelf

Always put the fixed shelf in the specified position.

### 6.4 Pull-out container

Store large plates or containers with processed food which has been covered in the pull-out container.

### 6.5 Cold storage container

Use the lower temperatures in the cold storage container to store highly perishable food, e.g. fish, meat and sausages.

### 6.6 Container divider

**⚠ WARNING**

Children may climb into the appliance and suffocate.

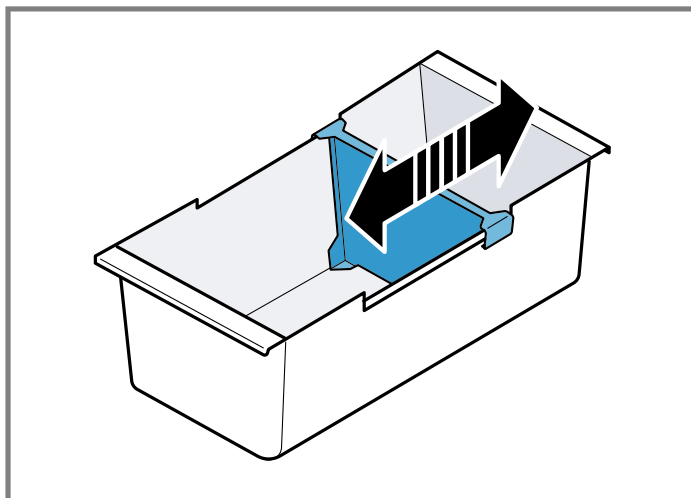
- ▶ Never remove the container divider from the suspended frozen food container.

**NOTICE:**

The container divider for the suspended frozen food container will be damaged if removed.

- ▶ Never remove the container divider from the suspended frozen food container.

To vary the division of the suspended frozen food container you can move the container divider.



### 6.7 Flat frozen food container

Store flat frozen items, the ice storage container and the ice scoop in the flat frozen food container.

### 6.8 Frozen food pull-out container

In order to achieve an improved overview and to remove frozen food more quickly, remove the frozen food pull-out container.

### 6.9 Suspended frozen food container

Store large frozen items in the suspended frozen food container.

### 6.10 Butter and cheese compartment

Store butter and hard cheese in the butter and cheese compartment.

### 6.11 Door tray

To adjust the door tray as desired, you can remove the door tray, and re-insert it elsewhere.

→ "Removing the door tray", Page 23

### 6.12 Ice storage container

If ice cube production is switched on, the ice cubes are automatically stored in the ice cube container.

**NOTICE:**

The ice maker may become blocked or damaged by food or objects stored in the ice storage container.

- ▶ Never store food or objects in the ice storage container.

**Note:** To prevent the ice cube container from being overfilled, do not manually distribute the ice cubes throughout the ice cube container.

**Tip:** To ensure that no ice cubes fall into the freezer compartment from the ice cube container, do not slam the freezer compartment drawer shut.

## 6.13 Accessories

Only use genuine accessories. These are designed especially for your appliance.  
The accessories for your appliance depend on the model.

### Ethylene absorber

For important safety instructions and information about installation and use, see the enclosed installation instructions for the ethylene absorber.

The ethylene absorber slows down the ripening of ethylene-sensitive fruit and vegetables to keep them fresher for longer.

### Installing the ethylene absorber

- ▶ Install the ethylene absorber in accordance with the installation instructions for the ethylene absorber.

### Using the refill set

1. Install the components of the refill set in accordance with the installation instructions for the ethylene absorber.
2. Replace the bags and timer at least every 6 months following activation.

**Note:** Refill sets can be purchased from customer service or our website.

### Ice scoop

You can use the ice scoop to remove a portion of ice cubes.

---

## 7 Basic Operation

### 7.1 Switching on the appliance

1. Connect the appliance to the electricity supply.  
→ *Page 8*

**Note:** If the appliance has been previously switched off using the control panel, press **power**.

- ✓ The appliance is now ready to use.
  - ✓ The appliance begins to cool.
  - ✓ A warning signal sounds, the temperature display (freezer compartment) flashes and "alarm off" lights up because the freezer compartment is still too warm.
2. Switch off the warning tone using **alarm off**.
    - ✓ "alarm off" goes out as soon as the set temperature has been reached.
  3. Set the desired temperature. → *Page 14*

### 7.2 Operating tips

- Once you have switched on the appliance, the set temperature is only reached after several hours. Do not put any food in the appliance until the set temperature has been reached.
- The front and side panels of the housing heat up occasionally. This prevents condensation from forming.

- When closing the door, make sure that the door is not blocked by stored items.
- When you close the door, a vacuum may be created. The door is then difficult to open again. Wait a moment until the vacuum is offset.
- The temperature in the appliance varies due to the following conditions:
  - How often the appliance is opened
  - Load capacity
  - Temperature of newly stored food
  - Ambient temperature
  - Direct sunlight

### 7.3 Switching off the appliance

- ▶ Press **power**.

### 7.4 Setting the temperature unit

You can choose between the temperature unit °F and °C.

1. Press **menu**.
2. Press **°C/°F**.
3. Press **↙/↘** (Submenu setting) until the submenu setting display shows "F" or "C".
4. Press **menu**.

### 7.5 Setting the temperature

#### Setting the refrigerator compartment temperature

- ▶ Press **↙/↘** (Refrigerator compartment) repeatedly until the temperature display (refrigerator compartment) shows the desired temperature setting.

The recommended temperature in the refrigerator compartment is 37 °F (3 °C).

#### Setting the freezer compartment temperature

- ▶ Press **↙/↘** (Freezer compartment) repeatedly until the temperature display (freezer compartment) shows the desired temperature setting.

The recommended temperature in the freezer compartment is 0 °F (-18 °C).

### 7.6 Cold storage compartment storage setting

You can set the temperature and humidity of the cold storage compartment using predefined storage settings.

**Tip:** Further settings are available in the Home Connect® app.

#### Setting the cold storage compartment storage setting

1. Press any touch field on the control panel (cold storage compartment).
2. Press and hold **unlock** until the light bar lights up fully.
3. Press the storage setting that you require.

## 8 Additional functions

Find out which additional functions can be used for your appliance.

### 8.1 Super cooling

With Super cooling, the refrigerator compartment cools as cold as possible.

Switch on Super cooling before placing large quantities of food in the refrigerator compartment.

**Note:** When Super cooling is switched on, increased noise may occur.

#### Switching on Super cooling

- ▶ Press **❄super**.
- ✓ ❄"super" lights up.

**Note:** After approximately 6 hours, the appliance switches to normal operation.

#### Switching off Super cooling

- ▶ Press **❄super**.
- ✓ The previously set temperature is displayed.

### 8.2 Super freezing

With Super freezing, the freezer compartment cools as cold as possible.

Switch on Super freezing 1 to 2 hours before placing food weighing 4.4 lbs (2 kg) or more into the freezer compartment.

Use Super freezing to accelerate ice cube production.

**Note:** When Super freezing is switched on, increased noise may occur.

#### Switching on Super freezing

- ▶ Press **❄super**.
- ✓ ❄"super" lights up.

**Note:** After approximately 8 hours, the appliance switches to normal operation.

#### Switching off Super freezing

- ▶ Press **❄super**.
- ✓ The previously set temperature is displayed.

### 8.3 Vacation mode

If you are going to be away for a long time, you can switch on energy-saving vacation mode on the appliance.

#### CAUTION

The refrigerator compartment heats up while the vacation mode is switched on. The increased temperature may cause bacteria to increase and spoil the food.

- ▶ When the vacation mode is switched on, do not store any food in the refrigerator compartment.

The appliance automatically sets the temperatures.

Refrigerator compartment	43 °F (6 °C)
Cold storage compartment	40 °F (4 °C)
Freezer compartment	Temperature remains unchanged

**Note:** While the vacation mode is activated, the ice cube production and the water dispenser are switched off.

#### Switching on vacation mode

- ▶ Press **vacation**.
- ✓ "vacation" lights up.

#### Switching off vacation mode

- ▶ Press **vacation**.
- ✓ The previously set temperature is displayed.

### 8.4 Energy-saving mode

You can set the appliance to save energy with the energy-saving mode.

The appliance automatically sets the temperatures.

Refrigerator compartment	43 °F (6 °C)
Cold storage compartment	32 °F (0 °C)
Freezer compartment	6 °F (-14 °C)

#### Switching on energy-saving mode

- ▶ Press **eco**.
- ✓ "eco" lights up.

#### Switching off energy-saving mode

- ▶ Press **eco**.
- ✓ The previously set temperature is displayed.

### 8.5 Freshness mode

In order to keep the food fresh longer, you can switch on the freshness mode on the appliance.

The appliance automatically sets the temperatures.

Refrigerator compartment	36 °F (2 °C)
Cold storage compartment	32 °F (0 °C)
Freezer compartment	Temperature remains unchanged

#### Switching on freshness mode

- ▶ Press **fresh**.
- ✓ "fresh" lights up.

#### Switching off freshness mode

- ▶ Press **fresh**.
- ✓ The previously set temperature is displayed.

## 8.6 Interior lighting

You can switch the interior lighting off or set the brightness.

0	The interior lighting is switched off
1	Minimum brightness
5	Maximum brightness

### Setting the interior lighting

1. Press **menu**.
2. Press **light settings**.
3. Press / (Submenu setting) until the setting display submenu shows the desired setting.
4. Press **menu**.

## 8.7 Sabbath mode

To ensure that you can also use the appliance on the Sabbath, the Sabbath mode switches off all non-essential functions.

During Sabbath mode, the following functions are switched off:

- Super cooling
- Super freezing
- Alarm
- Water dispensing
- Ice cube production
- Interior lighting
- Audible signals
- Messages on the control panel

**Note:** The brightness of the control panel lighting is reduced during the Sabbath mode.

### Switching on Sabbath mode

- ▶ Press and hold **vacation** for 10 seconds until an audible signal sounds.
- ✓ "alarm" lights up.

**Note:** After approx. 80 hours, the appliance switches to normal mode.

### Switching off Sabbath mode

- ▶ Press and hold **alarm** for 5 seconds until an audible signal sounds.

## 8.8 Filter change notification

Every 6 months, the filter change notification will come on. "change fliter" lights up.

**Note:** Increased water consumption switches the filter change notification on sooner.

### Switching off the filter change notification

1. Replace the water filter.  
The bypass cap does not need to be replaced.
2. Press and hold "change fliter" for 3 seconds.
- ✓ "change fliter" goes out.

- ✓ The filter change status is reset.

## 8.9 Filter change status

If you replace the filter before the filter change notification, reset the filter change status.

1	The measurement of the filter change status is running
0	Reset the filter change status

### Resetting the filter change status

1. Press **menu**.
2. Press **change filter**.
- ✓ The submenu setting display shows "1".
3. Press (Submenu setting).
- ✓ The submenu setting display shows "0".
4. Press **menu**.

# 9 Alarm

## 9.1 Door alarm

If the appliance door is open for a while, the door alarm switches on.

A warning tone sounds and "alarm off" flashes.

### Switching off the door alarm

- ▶ Close the appliance door or press **alarm off**.
- ✓ The warning tone is switched off.
- ✓ "alarm off" goes out.

### Door alarm warning signal

You can activate or deactivate the door alarm warning tone.

On	Door alarm warning tone activated
OF	Door alarm warning tone deactivated

### Activating the door alarm warning signal

1. Press **menu**.
2. Press **alarm off**.
3. Press / (Submenu setting) until the setting display submenu shows the desired setting.
4. Press **menu**.

### Deactivating the door alarm warning signal

1. Press **menu**.
2. Press **alarm off**.
3. Press / (Submenu setting) until the setting display submenu shows the desired setting.
4. Press **menu**.

## 9.2 Temperature alarm

If the freezer compartment becomes too warm, the temperature alarm will switch on.

A warning tone sounds and the set temperature (freezer compartment) and "alarm off" flash.

### ⚠ CAUTION

During the thawing process, bacteria may multiply and spoil the frozen food.

- ▶ Do not refreeze partly or completely thawed food.
- ▶ Refreeze food only after cooking.
- ▶ The frozen items should no longer be stored for the maximum storage period.

The temperature alarm can be switched on in the following cases:

- The appliance is switched on.  
Do not store any food until the appliance has reached the set temperature.
- Large quantities of fresh food are being placed inside.  
Switch on Super freezing before placing large quantities of food in the appliance.
- The freezer compartment door is open for too long.  
Check whether the frozen food has defrosted or thawed.

### Switching off the temperature alarm

- ▶ Press **alarm off**.
- ✓ The warning tone is switched off.
- ✓ The temperature display (freezer compartment) briefly indicates the warmest temperature reached in the freezer compartment. The temperature display (freezer compartment) then indicates the set temperature again.
- ✓ From this time on, the warmest temperature is recalculated and saved.

## 10 Home Connect®

This appliance is network-capable. Connecting your appliance to a mobile device lets you control its functions via the Home Connect® app.

The Home Connect® services are not available in every country. The availability of the Home Connect® function depends on the availability of the Home Connect® services in your country. You can find information on this at: [www.home-connect.com](http://www.home-connect.com).

To be able to use Home Connect®, you must first set up the connection to the WLAN home network (Wi-Fi<sup>1</sup>) and to the Home Connect® app.

After switching on the appliance, wait at least 2 minutes until internal device initialization is complete. Only then should you set up Home Connect®.

The Home Connect® app guides you through the entire registration process. Follow the instructions, noting the information in the Home Connect® app.

<sup>1</sup> Wi-Fi is a registered trade mark of the Wi-Fi Alliance.

### Notes

- Note the safety information in this instruction manual and ensure that it is also observed when operating the appliance using the Home Connect® app.  
→ "Safety", Page 4
- Operating the appliance on the appliance itself always takes priority. It is not possible to operate the appliance using the Home Connect® app during this time.

## 10.1 Setting up Home Connect®

**Requirement:** The appliance receives signals from the WLAN home network (Wi-Fi) at its installation location.

1. Scan the following QR code.





You can install the Home Connect® app and connect your appliance via the QR code.

2. Follow the instructions in the Home Connect® app.

## 10.2 Checking the signal strength

You should check the signal strength if no connection could be established.

1. Press **menu**.
  - ✓ "connect" lights up and the submenu display shows "Cn".
2. Press / (Submenu) repeatedly until the submenu display shows "SI".
  - ✓ The submenu display shows a value between setting "0" (no reception) and "3" (full reception).
3. Press **menu**.

**Note:** The signal strength should be at least "2".

### Improving the reception



If the signal strength is too weak, the connection may be interrupted.

- ▶ Carry out one of the solution options:
  - Place the router and refrigerator closer together.
  - Ensure that the connection is not interfered with by screening walls.
  - Install a repeater to strengthen the signal.

### 10.3 Installing updates for the Home Connect software



The appliance searches for updates to the Home Connect® software at regular intervals.

#### Notes

- If updates are available, the submenu display shows "UP".  
To cancel the update and reset the submenu display to the set temperature, press any touch field.
  - The current software version can be found in the Home Connect® app under the appliance information for the relevant home appliance.
1. Press **menu**.
    - ✓ "connect" lights up and the submenu display shows "Cn".
  2. Press  (Submenu) repeatedly until the submenu display shows "UP" and the submenu setting display shows "OF".
  3. Press  (Submenu setting).
    - ✓ The submenu setting display shows an animation.
    - ✓ The update is installed.
    - ✓ The control panel is locked during the installation.
    - ✓ If the installation is successful, the submenu setting display shows "On".
  4. If the submenu setting display shows "Er", the appliance was unable to install the update.
    - Repeat the process at a later point.
  5. If the update cannot be completed after several attempts, contact the after-sales service → *Page 31*.

### 10.4 Resetting the Home Connect® settings

If your appliance experiences connection problems with the WLAN home network (Wi-Fi) or your appliance wants to log into a different WLAN home network (Wi-Fi), you can reset the Home Connect® settings.

1. Press **menu**.
  - ✓ "connect" lights up and the submenu display shows "Cn".
2. Press  (Submenu) repeatedly until the submenu display shows "rE" and the submenu setting display shows "OF".
3. Press  (Submenu setting).
  - ✓ The submenu setting display shows an animation for approximately 15 seconds.
  - ✓ The submenu setting display shows "On".
  - ✓ The Home Connect® settings have been reset.
4. Press **menu**.

### 10.5 Remote Diagnostics

Customer Service can access your appliance via Remote Diagnostics if you ask them to do so, provided your appliance is connected to the Home Connect® server and Remote Diagnostics is available for your appliance and

country. For more information on Remote Diagnostics' availability in your country, visit the Service/Support section of your local website: [www.home-connect.com](http://www.home-connect.com). Please be aware that while Remote Diagnostics can assist in troubleshooting select issues, there may be instances where an on-site service visit is required if the problem cannot be resolved remotely.

### 10.6 Data Protection

Please read this information on data protection.

The first time your appliance is registered on a home network connected to the Internet, your appliance transmits the following types of data to the Home Connect® server (initial registration):

- Unique appliance identification (consisting of appliance codes as well as the MAC address of the installed Wi-Fi communication module).
- Security certificate of the Wi-Fi communication module (to ensure a secure data connection).
- The current software and hardware version of your home appliance.
- Status of any previous reset to factory settings.

This initial registration prepares the Home Connect® functions for use and is only required when you want to use the Home Connect® functions for the first time.

**Note:** Please note that the Home Connect® functions can only be used in conjunction with the Home Connect® app. Information on data protection can be retrieved in the Home Connect® app.

---

## 11 Refrigerator compartment

You can keep dairy products, eggs, prepared meals, pastries, open preserves and hard cheese in the refrigerator compartment.

The temperature can be set from 33 °F (1 °C) to 43 °F (6 °C).

The refrigerator compartment can also be used to store highly perishable foods in the short to medium term. The lower the selected temperature, the longer the food remains fresh.

### 11.1 Tips for storing food in the refrigerator compartment

- Only store food when fresh and undamaged.
- Store food covered or in air-tight packaging.
- To avoid impeding the circulation of air and to prevent food from freezing, do not place food in front of the inner ventilation openings or in direct contact with the back wall.
- Allow hot food and drinks to cool down first before placing in the appliance.
- Observe the best-before date or expiration date specified by the manufacturer.

## 11.2 Chill zones in the refrigerator compartment

The air recirculation cooling system allows the air to circulate evenly in the refrigerator compartment and ensures a constant temperature at all shelves.

### Coldest zone

The coldest zone is in the pull-out container.

**Tip:** Store highly perishable food such as fish, sausages and meat in the cold storage compartment.

→ "Cold storage compartment", Page 19

---

## 12 Cold storage compartment

In the cold storage compartment, you can keep food fresh for up to three times longer than in the refrigerator compartment.

The temperature can be set from 29 °F (−2 °C) to 40 °F (4 °C) using pre-defined storage settings.

The low temperature and optimal humidity in the cold storage compartment ensure ideal storage conditions for perishable foods.

### 12.1 Storage recommendations for the cold storage compartment

Storage setting	Food
29°F ◊	Meat, fish and seafood
32°F ◊	Fruit, mixed load with fruit and vegetables, sausage, cheese and dairy products
32°F ◊◊	Vegetables
34°F ◊	Beverages
40°F ◊	Snacks and other items

**Tip:** Fruit, vegetables, drinks and snacks may freeze below 32 °F (0 °C).

Only use the storage setting **29°F ◊** for meat and fish.

---

## 13 Freezer compartment

You can store frozen food, freeze food and make ice cubes in the freezer compartment.

The temperature can be set from 6 °F (−14 °C) to −7 °F (−22 °C).

Long-term storage of food should be at 0 °F (−18 °C) or lower.

The freezer compartment can be used to store perishable foods long-term. The low temperatures slow down or stop the spoilage.

### 13.1 Tips for storing food in the freezer compartment

- Store food in air-tight packaging.

- Do not bring food which is to be frozen into contact with frozen food.
- Distribute the food over a wide area in the suspended frozen food container.

### 13.2 Tips for freezing fresh food

- Freeze fresh and undamaged food only.
- Freeze food in portions.
- Cooked food is more suitable for freezing than food that can be eaten raw.
- Vegetables: Wash, chop up and blanch before freezing.
- Fruit: Wash, pit and perhaps peel, possibly add sugar or ascorbic acid solution.
- Food that is suitable for freezing includes baked items, fish and seafood, meat, game, poultry, eggs without shells, cheese, butter and curd cheese, prepared meals and leftovers.
- Food that is unsuitable for freezing includes lettuce, radishes, eggs in shells, grapes, raw apples and pears, yogurt, sour cream, crème fraîche and mayonnaise.

### Packing frozen food

If you select suitable packaging material and the correct type of packaging, you can determine the product quality and prevent freezer burn.

1. Place the food in the packaging.
2. Squeeze out the air.
3. Pack food airtight to prevent it from losing flavor or drying out.
4. Label the packaging with the contents and the date of freezing.

### 13.3 Defrosting methods for frozen food

#### CAUTION

During the thawing process, bacteria may multiply and spoil the frozen food.

- ▶ Do not refreeze partly or completely thawed food.
- ▶ Refreeze food only after cooking.
- ▶ The frozen items should no longer be stored for the maximum storage period.
- Defrost animal-based food, such as fish, meat, cheese, curd cheese, in the refrigerator compartment.
- Defrost bread at room temperature.
- Prepare food for immediate consumption in the microwave, in the oven, or on the cooktop.

---

## 14 Water system

Your appliance is equipped with water-carrying components.

The water system only works if a water filter or a bypass cap is installed.

Switch off ice cube production before disconnecting the appliance from the drinking water connection. → Page 22

## 14.1 Water filter

The water filter filters particles and the taste of chlorine out of the water.

The water filter reduces further contamination, e.g. from chloramines, lead and pharmaceutical products.

**Note:** The water filter does not filter bacteria or microbes out of the water.

Change the water filter:

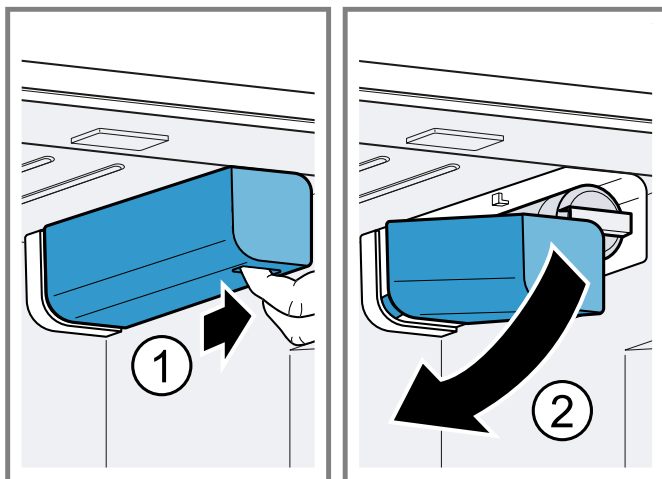
- Every 6 months.
- If "change fliter" lights up.
- If the water output has visibly reduced.
- If ice cube production has visibly reduced.

### Tips

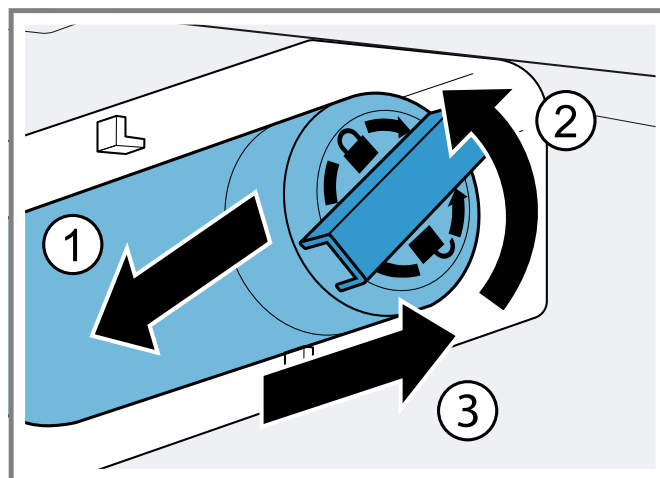
- A new water filter can be purchased from our customer service, your dealer or our website.
- If you do not want to use a water filter in your appliance or an external water filter system is installed, you can permanently replace the water filter with a bypass cap. The bypass cap filters only large particles out of the water and can be cleaned as required. A bypass cap can be purchased from customer service or our website.

### Changing the water filter or replacing it with a bypass cap

1. Reach into the recess below the filter cover, pull it forward slightly ① and then down to the left ②.



2. Pull the water filter down to the left ①, turn it counterclockwise by 90° ② and remove it ③.
  - Remove the water filter with care as it is under pressure.



**Note:** When removing it, a small amount of water may drip out of the water filter. Remove the drips of water with a dry cloth.

**Tip:** You can dispose of the old water filter with your household garbage.

3. Insert the new water filter or the bypass cap all the way into the filter opening, turn it 90° clockwise all the way and fold it up to the right.
4. Move the filter cover up to the right and slide it back all the way.
5. Discard the ice cubes produced during the first 24 hours, and dispense water for 5 minutes and discard.

## 14.2 Filter change notification

Every 6 months, the filter change notification will come on. "change fliter" lights up.

**Note:** Increased water consumption switches the filter change notification on sooner.

### Switching off the filter change notification

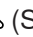
1. Replace the water filter.
  - The bypass cap does not need to be replaced.
2. Press and hold "change fliter" for 3 seconds.
  - ✓ "change fliter" goes out.
  - ✓ The filter change status is reset.

## 14.3 Filter change status

If you replace the filter before the filter change notification, reset the filter change status.

1	The measurement of the filter change status is running
0	Reset the filter change status

## Resetting the filter change status

1. Press **menu**.
2. Press **change filter**.
  - ✓ The submenu setting display shows "1".
3. Press  (Submenu setting).
  - ✓ The submenu setting display shows "0".
4. Press **menu**.

## 14.4 Water dispenser

Dispense cold water via the water dispenser.


### Putting the water dispenser into operation

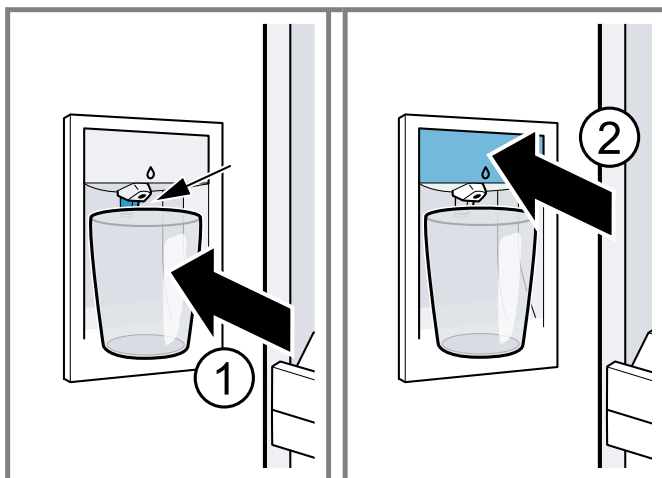
**Note:** Once the appliance has been connected or a new water filter has been installed, there will be air in the water system.

**Requirement:** The appliance is connected to the drinking water connection.

1. Keep dispensing water until it contains no more air bubbles.
  - Remove any splashes of water with a dry cloth.
2. For hygiene reasons, dispense water for 5 minutes and discard.

### Dispensing water

- ▶ Press and hold the glass against the dispensing button ① or hold the glass under the water dispenser and press  ②.



### Notes

- After a while of continuous dispensing, the water stops being dispensed. Wait a few seconds before dispensing water again.
- After water has been dispensed several times consecutively, water stops being dispensed. Wait a few minutes before dispensing water again.

## 14.5 Ice maker

Use the ice maker to produce ice cubes.

### WARNING

Rotating parts may cause injury.

- ▶ Never reach into or underneath the ice maker.

**Note:** The ice cube maker automatically detects that the ice storage container is full and stops producing ice cubes. It may take up to 48 hours until the ice storage container is full.

### Tips

- You can accelerate ice cube production by setting a colder freezer compartment temperature or by switching on Super freezing. This slightly increases the energy consumption.
- If the ice cubes taste stale, dispose of the remaining ice cubes and the cubes produced over the next 24 hours. If the ice cubes still taste stale, change the water filter.

### Putting the ice maker into operation

#### Notes

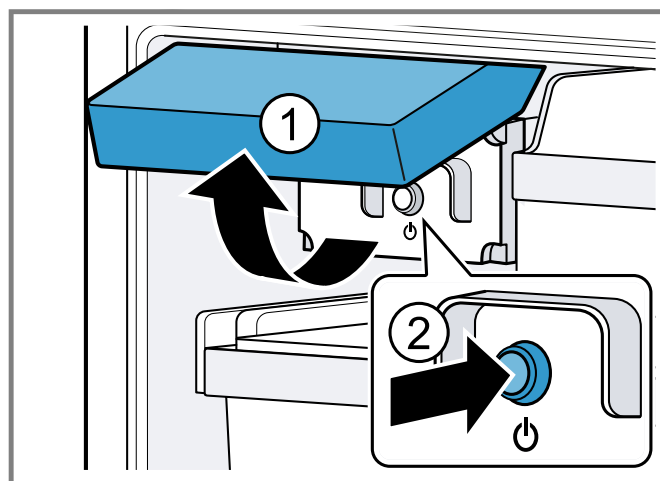
- Ice cube production starts as soon as the appliance is switched on and the freezer compartment has reached the set temperature.
- As soon as the freezer compartment reaches the set temperature, the first batch of ice cubes will be ready in approximately 4 hours.

**Requirement:** The appliance is connected to the drinking water connection.

- ▶ For hygiene reasons, discard the ice cubes produced within the first 24 hours.

### Switching on ice cube production

- ▶ Lift the ice maker cover upwards ① and press the ice maker button ②.

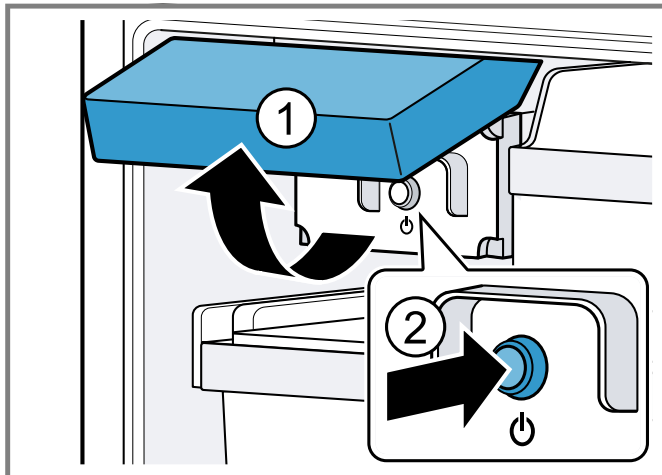


- ✓ The ice maker button lights up.

**Note:** If you press and hold the ice maker button for 3 seconds, the filter change status is reset.

### Switching off ice cube production

- ▶ Lift the ice maker cover upwards ① and press the ice maker button ②.



✓ The ice maker button goes out.

**Note:** If you press and hold the ice maker button for 3 seconds, the filter change status is reset.

## 15 Defrosting

### 15.1 Defrosting in the refrigerator compartment

The refrigerator compartment in your appliance defrosts automatically.

### 15.2 Defrosting in the cold storage compartment

The cold storage compartment in your appliance defrosts automatically.

### 15.3 Defrosting in the freezer compartment

The fully automatic NoFrost system ensures that the freezer compartment remains frost-free. Defrosting is not required.

## 16 Cleaning and maintenance

**Note:** The Statement of Limited Product Warranty covers defects in materials and workmanship. Cleaning and maintenance is not covered by the warranty and a charge will apply. See the Statement of Limited Product Warranty for more details.

### 16.1 Preparing the appliance for cleaning

1. Switch off the appliance. → *Page 14*
2. Disconnect the appliance from the power supply.  
Unplug the appliance from the power source or switch off the circuit breaker in the fuse box.

3. Take out all of the food and store it in a cool place.  
Place ice packs (if available) onto the food.
4. Remove all fittings and accessories from the appliance.  
→ *Page 23*
5. Remove the telescopic rails. → *Page 25*
6. Remove the refrigerator compartment glass plate.  
→ *Page 26*
7. Remove the cold storage container lid. → *Page 26*

### 16.2 Cleaning the appliance

#### ⚠ WARNING

Moisture entering the appliance may cause electrical shock.

- ▶ Do not use any steam cleaners or high-pressure cleaners to clean the appliance.

#### NOTICE:

Unsuitable cleaning agents may damage the surfaces of the appliance.

- ▶ Do not use hard scouring pads or cleaning sponges.
- ▶ Do not use strong or abrasive cleaning agents.
- ▶ Do not use cleaning agents with a high alcohol content.
- ▶ Do not use stainless-steel cleaning agents on the outside of the appliance.

If you clean fittings and accessories in the dishwasher, this may cause them to become deformed or discolored.

- ▶ Never clean fittings and accessories in the dishwasher.

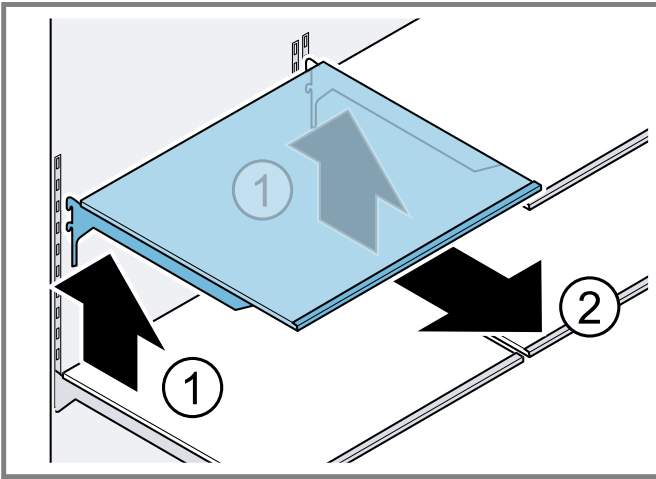
1. Prepare the appliance for cleaning. → *Page 22*
2. Clean the outside of the appliance, the inside of the appliance, the fittings, the accessories and the door seals with a dish cloth, lukewarm water and a little pH-neutral dish soap.
3. Dry thoroughly with a soft, dry cloth.
4. Insert the fittings and install the removable appliance parts.
5. Connect the appliance to the electricity supply.  
→ *Page 8*
6. Switch on the appliance. → *Page 14*
7. Put the food into the appliance.

## 16.3 Removing the fittings

If you want to clean the fittings thoroughly, remove these from your appliance.

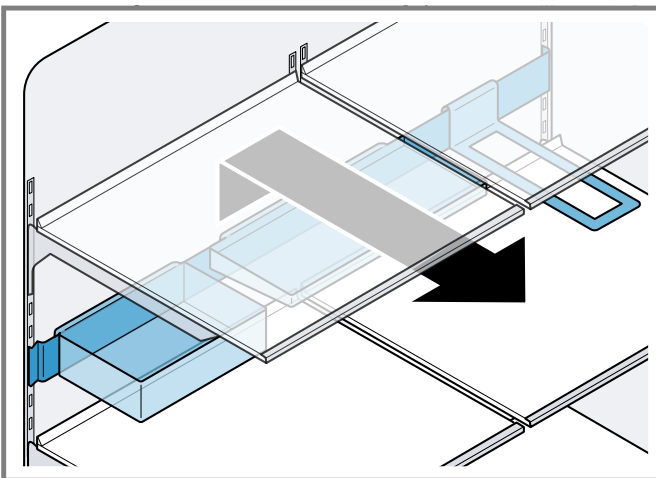
### Removing the shelf

- ▶ Lift the shelf ① and remove it ②.



### Removing the equipment bar

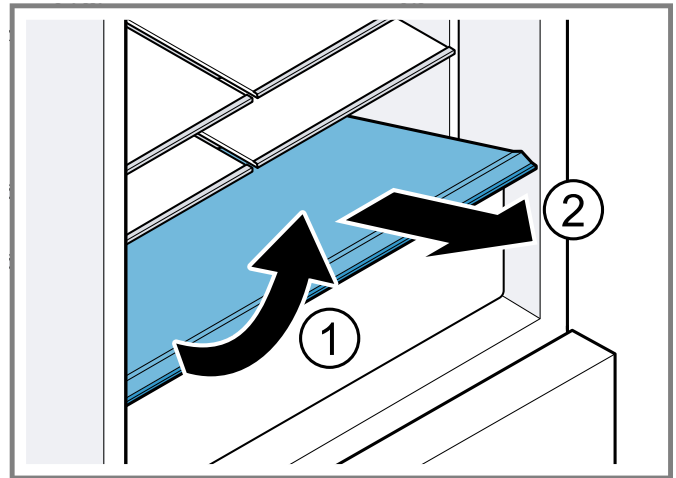
- ▶ Lift the equipment bar and remove it.



### Removing the fixed shelf

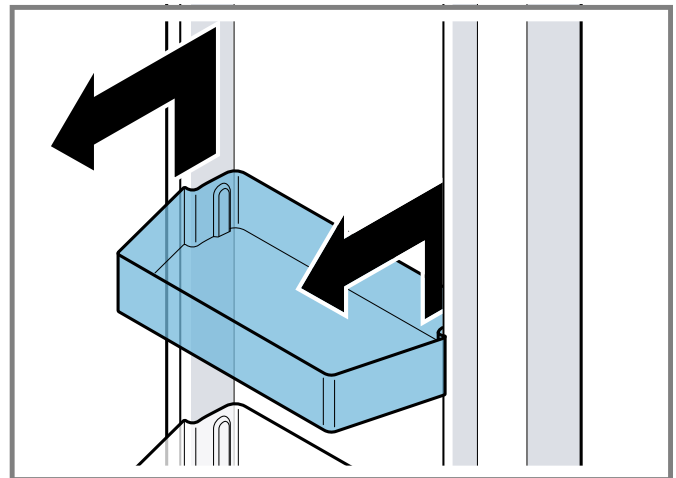
1. Pull out the pull-out container.

2. Lift the fixed shelf at the front ① and remove it ②.



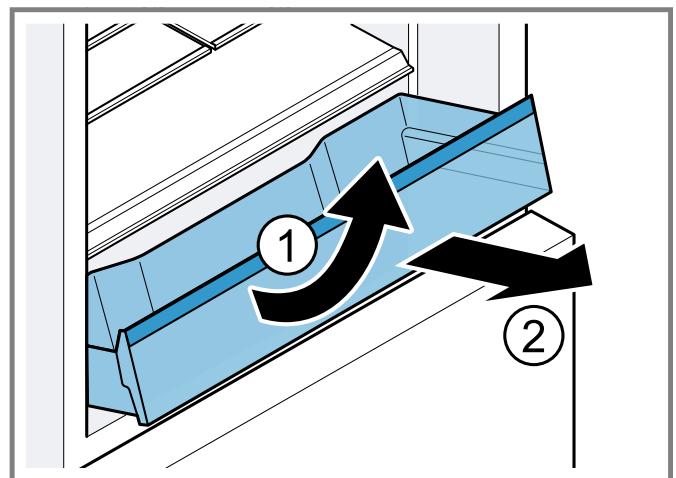
### Removing the door tray

- ▶ Lift the door tray and remove it.



### Removing the pull-out containers

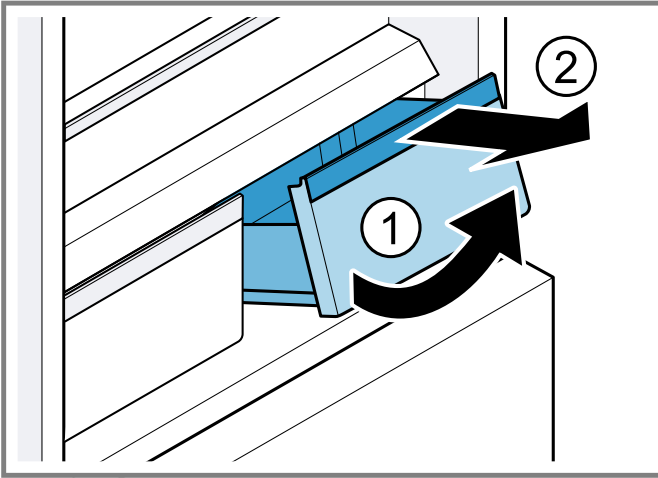
1. Pull out the pull-out container as far as it will go.
2. Lift the pull-out container at the front ① and remove it ②.



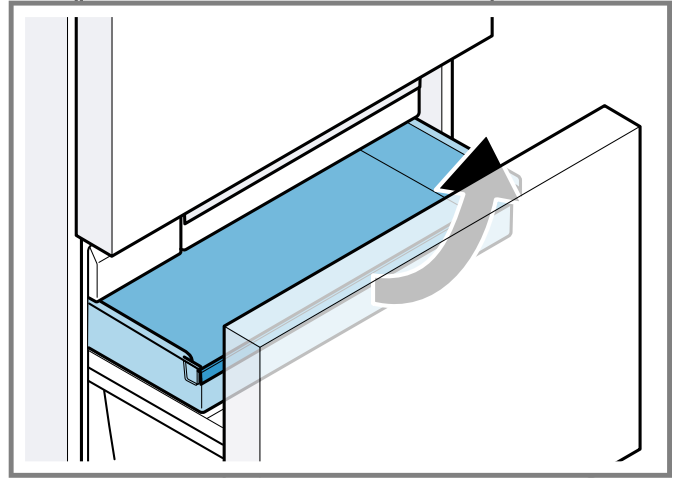
### Removing the cold storage container

1. Pull out the cold storage container as far as it will go.

2. Lift the cold storage container at the front ① and remove it ②.

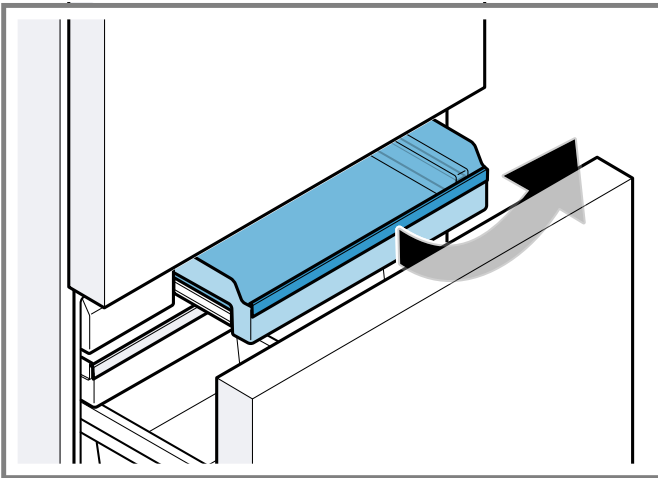


2. Lift the flat frozen food container at the front and remove it.



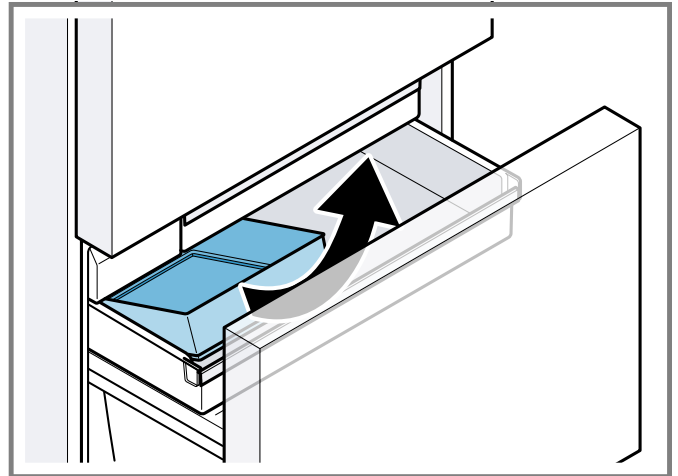
### Removing the frozen food pull-out container

1. Pull out the frozen food pull-out container as far as it will go.
2. Lift the frozen food pull-out container at the front and remove it.



### Removing the ice cube container

1. Pull out the flat frozen food container as far as it will go.
2. Lift the ice cube container at the front and remove it.

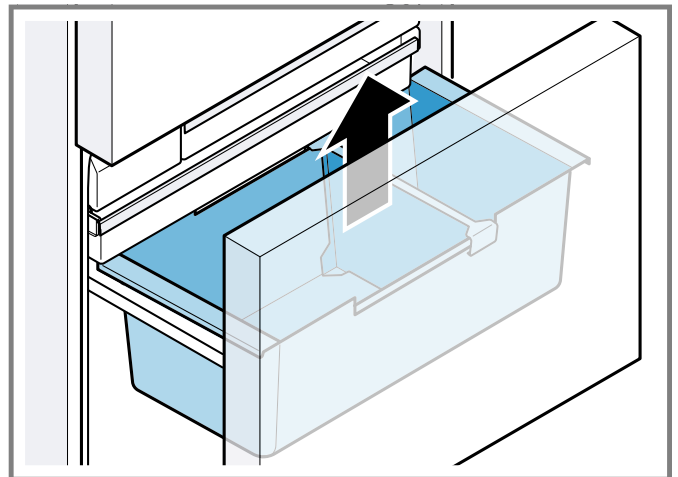


### Removing the flat frozen food container

1. Pull out the flat frozen food container as far as it will go.

### Removing the suspended frozen food container

- ▶ Lift out the suspended frozen food container.



## 16.4 Removing the appliance components

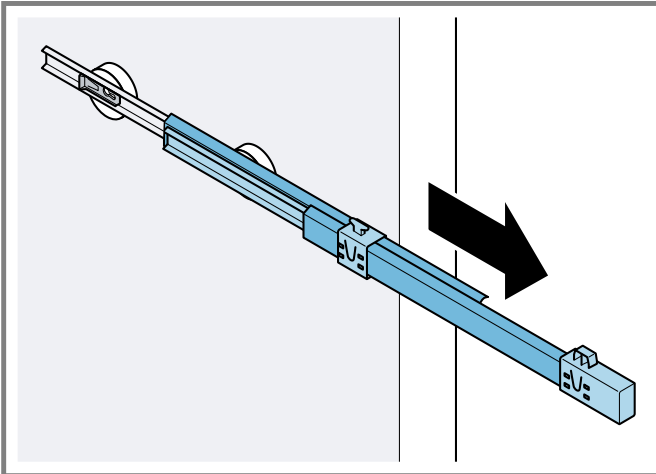
If you want to clean your appliance thoroughly, you can remove certain components from your appliance.

### Telescopic rails

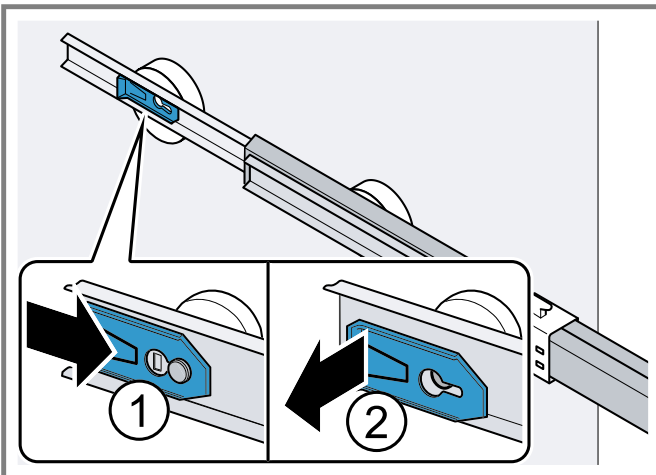
You can remove the telescopic rails in order to clean them thoroughly.

#### Removing the telescopic rails

1. Pull out the telescopic rail.

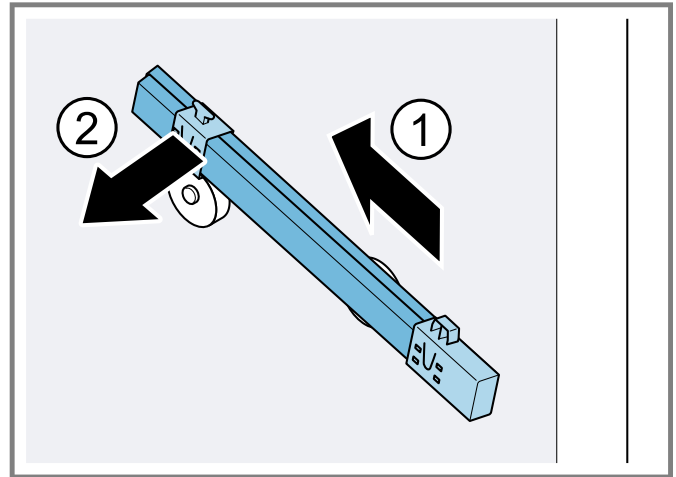


2. Move the lock in the direction of the arrow ① and loosen the pin from the rear ②.



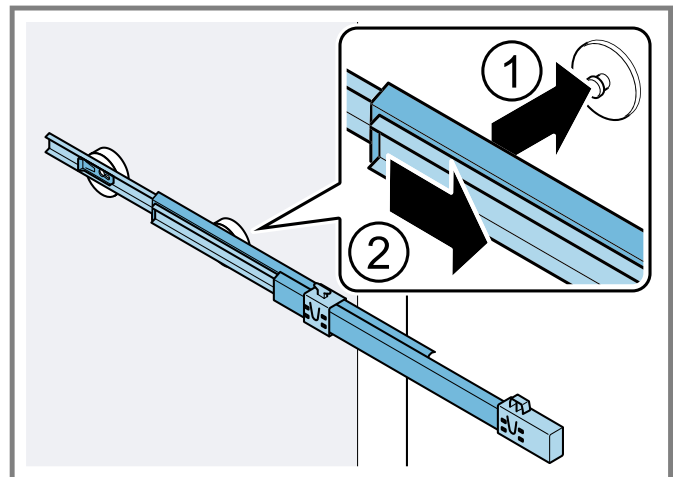
3. Push in the telescopic rail.

4. Push the telescopic rail backwards above the rear pin ① and disengage ②.

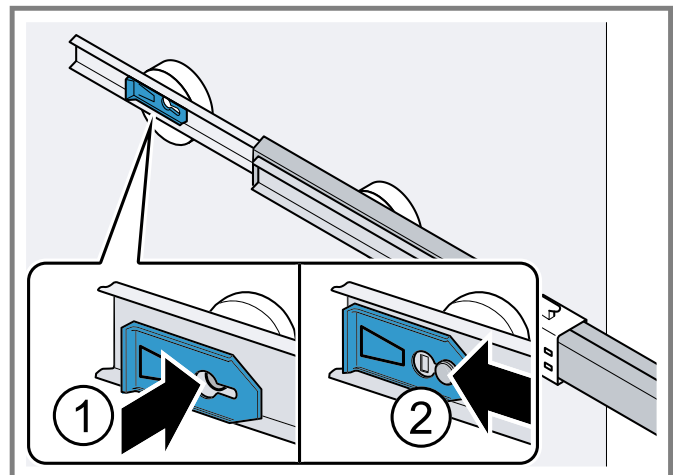


#### Installing the telescopic rails

1. Place the extended telescopic rail on the front pin ① and pull it forwards slightly to lock in place ②.



2. Place the telescopic rail on the rear pin ① and push the locking mechanism back ②.

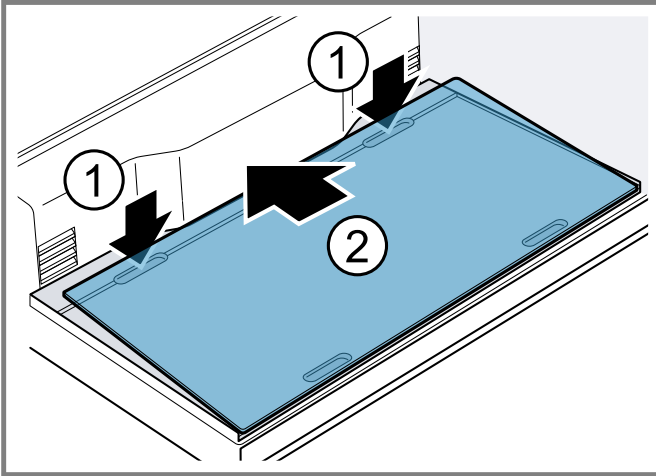


#### Refrigerator compartment glass plate

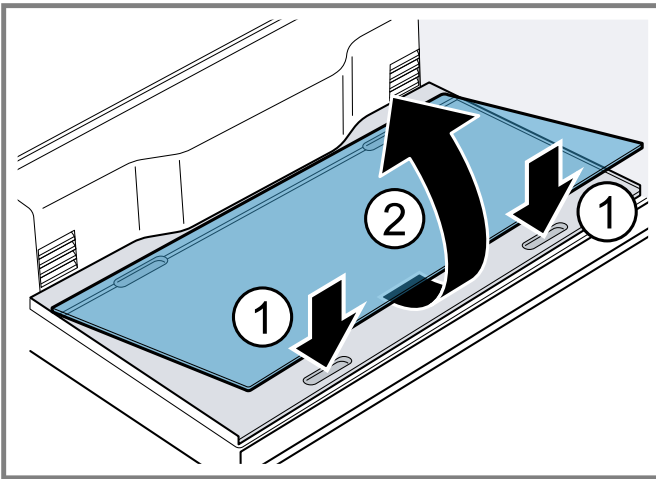
To clean the refrigerator compartment glass plate thoroughly, you can remove it.

### Removing the refrigerator compartment glass plate

1. Grip both the rear recesses at the base of the refrigerator compartment and lift the refrigerator compartment glass plate ①. Slide the refrigerator compartment glass plate towards the rear ②.

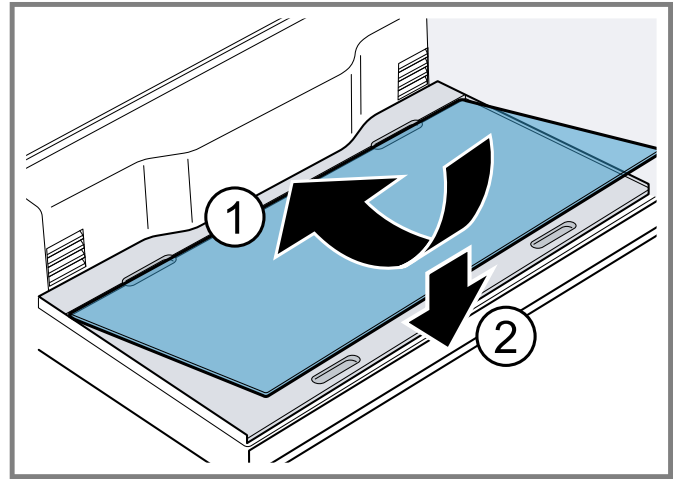


2. Grip both the front recesses at the base of the refrigerator compartment ①, lift the refrigerator compartment glass plate and remove it ②.



### Install the refrigerator compartment glass plate

- Place the refrigerator compartment glass plate at the rear of the base of the refrigerator compartment ① and lower it ②.

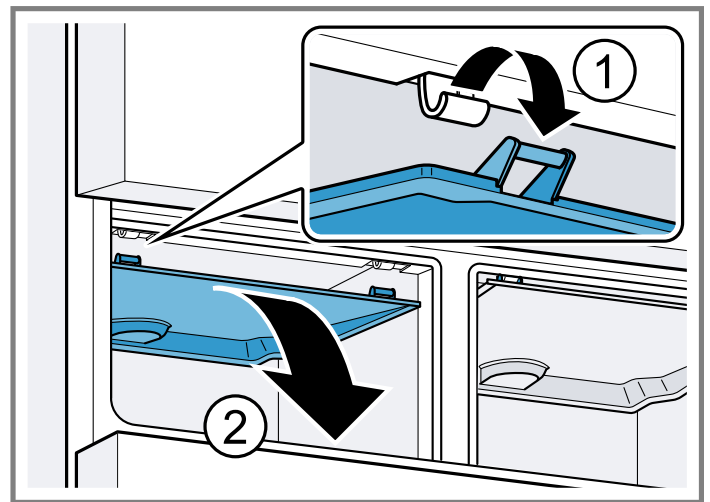


### Cold storage container cover

To clean the cold storage container cover thoroughly, you can remove it.

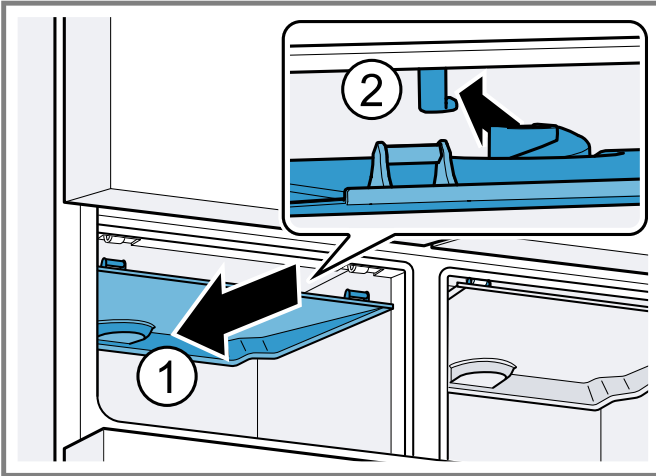
#### Removing the cold storage container cover

1. Remove the cold storage container.
2. Release the cold storage container cover ① and remove it ②.

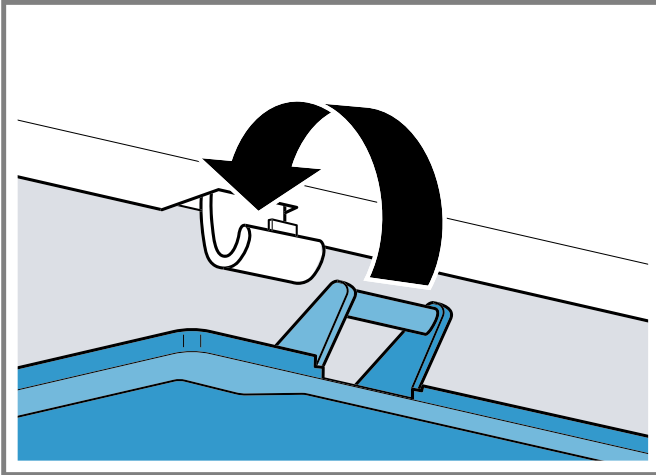


**Installing the cold storage container cover**

1. Slide the cold storage container cover symmetrically toward the rear ① and clip it into place ②.



2. Lock the cold storage container cover in place.



3. Install the cold storage container.

## 17 Troubleshooting

You can eliminate minor issues on your appliance yourself. Please read the information on eliminating issues before contacting Customer Service. This may avoid unnecessary repair costs.

### WARNING

To avoid risk of injury from improper repairs, observe the following.

- ▶ Only qualified technicians or authorized service providers should perform repairs.

- ▶ Only genuine spare parts may be used to repair the appliance.
- ▶ If the power cord or the appliance power cable of this appliance becomes damaged, it must be replaced with a special power cord or special appliance power cable, which is available from the manufacturer or the manufacturer's Customer Service.

Issue	Cause and troubleshooting
The appliance is not cooling, the displays and lighting are lit.	Showroom mode is switched on. <ol style="list-style-type: none"> <li>1. Press and hold <b>alarm off</b> for 15 seconds until three audible signals sound.               <ul style="list-style-type: none"> <li>✓ The lighting on the control panels and the interior lighting switch themselves off briefly.</li> <li>✓ "alarm off" flashes and a warning signal sounds.</li> </ul> </li> <li>2. Press <b>alarm off</b>.</li> <li>3. After a short time, check whether your appliance is cooling.</li> </ol>
The LED lighting does not work.	Various causes are possible. <ul style="list-style-type: none"> <li>▶ Call customer service. → <i>"Customer Service", Page 31</i></li> </ul>
The refrigeration unit is switching on more frequently and for longer.	The appliance has been opened frequently. <ul style="list-style-type: none"> <li>▶ Do not open appliance door unnecessarily.</li> </ul> <hr/> External ventilation openings are covered up. <ul style="list-style-type: none"> <li>▶ Remove any obstructions from in front of the external ventilation openings.</li> </ul> <hr/> Not a fault. Modern refrigeration machines switch on more frequently and have different power levels to cool more efficiently. <ul style="list-style-type: none"> <li>▶ Remove any obstructions from in front of the external ventilation openings.</li> <li>▶ Install the appliance as far away as possible from heating elements, cookers and other heat sources. Avoid prolonged exposure of the appliance to direct sunlight.</li> <li>▶ Only open the appliance door as briefly as necessary.</li> <li>▶ Allow hot food and drinks to cool down first before storing in the appliance.</li> </ul>
A layer of frost forms on the back wall of the refrigerator compartment.	Not a fault. Modern refrigeration machines ensure a more even temperature in the refrigerator compartment. The back wall of the refrigerator compartment is defrosted automatically at regular intervals. <ul style="list-style-type: none"> <li>▶ Only open the appliance door as briefly as necessary.</li> <li>▶ Pack the food airtight or cover it.</li> <li>▶ Allow hot food and drinks to cool down first before storing in the appliance.</li> <li>▶ Always leave some space between the food and the interior walls.</li> </ul>
Home Connect® is not working properly.	Various causes are possible. <ul style="list-style-type: none"> <li>▶ Go to <a href="http://www.home-connect.com">www.home-connect.com</a>.</li> </ul>
"E" or "d" appears on the temperature display.	The electronics have detected a fault. <ol style="list-style-type: none"> <li>1. Switch off the appliance. → <i>Page 14</i></li> <li>2. Disconnect the appliance from the power supply. Unplug the power plug or switch off the circuit breaker in the fuse box.</li> <li>3. Reconnect the appliance after 5 minutes.</li> <li>4. Switch on the appliance. → <i>Page 14</i></li> <li>5. If the message still appears on the display, call Customer Service. → <i>"Customer Service", Page 31</i></li> </ol>

Issue	Cause and troubleshooting
<p>A warning signal sounds and "alarm off" flashes.</p> <p>The door alarm is switched on.</p>	<p>The appliance door is open.</p> <ul style="list-style-type: none"> <li>▶ Close the appliance door.</li> </ul>
<p>A warning tone sounds and the temperature display (freezer compartment) and "alarm off" flash.</p> <p>The temperature alarm is switched on.</p>	<p>Various causes are possible.</p> <ol style="list-style-type: none"> <li>1. Press <b>alarm off</b>. <ul style="list-style-type: none"> <li>✓ The alarm is switched off.</li> </ul> </li> <li>2. After several hours, check whether the set freezer compartment temperature has been reached again.</li> </ol> <hr/> <p>External ventilation openings are covered up.</p> <ul style="list-style-type: none"> <li>▶ Remove any obstructions from in front of the external ventilation openings.</li> </ul> <hr/> <p>Large quantities of fresh food have been placed inside.</p> <ul style="list-style-type: none"> <li>▶ Switch on Super freezing before placing a larger amount of food in the appliance. → "Switching on Super freezing", Page 15</li> </ul>
<p>The temperature differs greatly from the setting.</p>	<p>Various causes are possible.</p> <ol style="list-style-type: none"> <li>1. Switch off the appliance. → Page 14</li> <li>2. Switch the appliance back on after approximately 5 minutes. → Page 14 <ul style="list-style-type: none"> <li>- If the temperature is too warm, check the temperature again after a couple of hours.</li> <li>- If the temperature is too cold, check the temperature again on the following day.</li> </ul> </li> </ol>
<p>Water is leaking out of the appliance.</p>	<p>The water connection or water hose is not leak-tight.</p> <ul style="list-style-type: none"> <li>▶ Check if the water connections are fastened firmly and the water hose is undamaged.</li> </ul> <p>If necessary, replace the water hose.</p>
<p>Water output is reduced.</p>	<p>Low water pressure.</p> <ul style="list-style-type: none"> <li>▶ Check the pressure of the water supply system or the external water filter system, e.g. reverse osmosis system.</li> </ul> <p>Connect the appliance only to a water connection with sufficient water pressure. → Page 7</p> <hr/> <p>The water filter is blocked.</p> <ul style="list-style-type: none"> <li>▶ Change the water filter. → Page 20</li> </ul>
<p>Water is dripping from the water dispenser.</p>	<p>Air is in the water system.</p> <ul style="list-style-type: none"> <li>▶ Keep dispensing water until it contains no more air.</li> </ul>
<p>The water dispenser is not functioning.</p>	<p>There is no water being supplied to the appliance.</p> <ul style="list-style-type: none"> <li>▶ Ensure that there is a water supply and that the shut-off valve on the water connection is open.</li> </ul> <p>Contact an installer if necessary.</p> <hr/> <p>Kink in the water hose.</p> <ul style="list-style-type: none"> <li>▶ Turn off the water supply and straighten the kink in water hose.</li> </ul> <p>If necessary, replace the water hose.</p>
<p>Ice cube production is low.</p>	<p>The appliance has only recently been connected.</p> <ul style="list-style-type: none"> <li>▶ Wait approximately 4 hours until the first batch of ice cubes is ready.</li> </ul> <hr/> <p>The freezer compartment has been opened frequently or for an extended period of time.</p> <ul style="list-style-type: none"> <li>▶ Check ice cube production after a few hours.</li> </ul> <hr/> <p>Low water pressure.</p> <ul style="list-style-type: none"> <li>▶ Check the pressure of the water supply system or the external water filter system, e.g. reverse osmosis system.</li> </ul>

Issue	Cause and troubleshooting
Ice cube production is low.	<p>Connect the appliance only to a water connection with sufficient water pressure. → <i>Page 7</i></p> <hr/> <p>The water filter is blocked. ▶ Change the water filter. → <i>Page 20</i></p> <hr/> <p>Food or objects are blocking the fill level sensor for the ice maker. ▶ Remove all food and objects from the ice storage container.</p> <hr/> <p>Fault in the ice maker. 1. Switch off the appliance. → <i>Page 14</i> 2. Disconnect the appliance from the power supply. Unplug the power plug or switch off the circuit breaker in the fuse box. 3. Reconnect the appliance after 5 minutes. 4. Switch on the appliance. → <i>Page 14</i> 5. If the fault persists, call customer service. → <i>Page 31</i></p>
The ice maker is not functioning.	<p>Ice cube production is switched off. ▶ Switch on ice cube production. → <i>Page 21</i></p> <hr/> <p>There is no water being supplied to the appliance. ▶ Ensure that there is a water supply and that the shut-off valve on the water connection is open. Contact an installer if necessary.</p> <hr/> <p>Kink in the water hose. ▶ Turn off the water supply and straighten the kink in water hose. If necessary, replace the water hose.</p> <hr/> <p>Fault in the ice maker. 1. Switch off the appliance. → <i>Page 14</i> 2. Disconnect the appliance from the power supply. Unplug the power plug or switch off the circuit breaker in the fuse box. 3. Reconnect the appliance after 5 minutes. 4. Switch on the appliance. → <i>Page 14</i> 5. If the fault persists, call customer service. → <i>Page 31</i></p>
The appliance hums, bubbles, buzzes, gargles, clicks, crackles or rumbles.	<p>Not a fault. A motor is running, e.g. refrigerating unit, fan. Refrigerant is flowing through the pipes. The motor, switches, solenoid valves or water valves are switching on or off. Automatic defrosting is running. Ice cubes fall into the ice storage container. No action required.</p>
The appliance makes noises.	<p>The appliance is not level. ▶ Align the appliance using a bubble level and the screw feet.</p> <hr/> <p>The appliance is not free-standing. ▶ Observe the minimum clearances for the appliance.</p> <hr/> <p>Fittings wobble or stick. ▶ Check the removable fittings and, if required, replace these.</p> <hr/> <p>Bottles or containers are touching. ▶ Move the bottles or containers away from each other.</p> <hr/> <p>Super freezing is switched on. No action required.</p>

## 17.1 Power failure

During a power failure, the temperature in the appliance rises; this reduces the storage time and the quality of the frozen food.

### Notes

- Open the appliance as little as possible during a power failure and do not place any other food in the appliance.

## 17.2 Conducting an appliance self-test

Your appliance has an appliance self-test which displays faults that can be eliminated by your customer service.

1. Switch off the appliance. → *Page 14*
2. Disconnect the appliance from the power supply.  
Unplug the appliance from the power source or switch off the circuit breaker in the fuse box.
3. Connect the appliance to the electricity supply after 5 minutes. → *Page 8*
4. Switch on the appliance. → *Page 14*
5. Within the first 2 minutes after switching on, press and hold **menu** for 10 seconds until an audible signal sounds.
  - ✓ The appliance self-test starts.
  - ✓ While the appliance self-test is running, a long audible signal sounds.
  - ✓ If, at the end of the appliance self-test, 2 audible signals sound and the temperature display indicates the set temperature, the temperature sensors on your appliance are OK. The appliance switches to normal operation.
  - ✓ If, at the end of the appliance self-test, 5 audible signals sound and the submenu setting display shows "Er", inform customer service.

---

## 18 Storage and disposal

### 18.1 Taking the appliance out of operation

1. Switch off the appliance. → *Page 14*
2. Disconnect the appliance from the power supply.  
Unplug the appliance from the power source or switch off the circuit breaker in the fuse box.
3. Disconnect the appliance from the drinking water connection.
4. Remove all of the food.
5. Remove the water filter. → *Page 20*
6. Clean the appliance. → *Page 22*
7. **NOTICE:** Objects jammed between the door and the housing may damage the door hinge.
  - ▶ Open the door until it remains open by itself.
  - ▶ Do not insert any objects between the door and the housing.

To ensure the ventilation inside the appliance, leave the appliance open.

- Check the quality of the food immediately after a power failure.
  - Dispose of any frozen food that has defrosted and is warmer than 41 °F (5 °C).
  - Cook or fry slightly thawed frozen food, and then either consume it or freeze it again.

### 18.2 Disposal of your old appliance

Environmentally compatible disposal allows valuable raw materials to be recycled.

#### WARNING

Children can lock themselves in the appliance, thereby putting their lives at risk.

- ▶ Remove the appliance doors and the appliance drawer.
- ▶ To prevent children from climbing in, leave shelves and containers in the appliance.
- ▶ Keep children away from the discarded appliance.

#### WARNING

If the tubes are damaged, flammable refrigerant and harmful gases may escape and ignite.

- ▶ Do not damage the tubes of the refrigerant circuit or the insulation.

1. Unplug the appliance from the power supply.
2. Cut through the power cord.
3. Remove the appliance doors and the appliance drawer.
4. Dispose of the appliance in an environmentally responsible manner.

Information about current disposal methods can be obtained from your specialist dealer or local authority.

---

## 19 Customer Service

With any warranty repair, we will make sure your appliance is repaired by an authorized service provider using genuine replacement parts. We use only genuine replacement parts for all repairs.

You can obtain function-relevant and storable genuine spare parts from our Customer Service for up to 15 years from the date on which your appliance was placed on the market.

For more information, please contact our Customer Service team.

Detailed information on the warranty period and terms of warranty can be found in the Statement of Limited Product Warranty, from your retailer, or on our website.

USA:

1-800-944-2904

[www.bosch-home.com/us/owner-support/get-support](http://www.bosch-home.com/us/owner-support/get-support)

[www.bosch-home.com/us/shop](http://www.bosch-home.com/us/shop)

CA:

1-800-944-2904

[www.bosch-home.ca/en/service/get-support](http://www.bosch-home.ca/en/service/get-support)  
[www.bosch-home.ca/en/service/cleaners-and-accessories](http://www.bosch-home.ca/en/service/cleaners-and-accessories)  
For assistance with connecting to Home Connect®, you can also view instructions here:  
[www.home-connect.com/us/en/help-support/set-up](http://www.home-connect.com/us/en/help-support/set-up)

## 19.1 Model number (E-Nr.) and production number (FD)

If you contact Customer Service, you will need the product number (E-Nr.) and production number (FD), which you can find on the appliance's rating label.

→ "Appliance", Fig. 1/13, Page 10

Making a note of your appliance's details and the Customer Service telephone number will enable you to find them again quickly.

---

## 20 Technical specifications

Refrigerant, cubic capacity and further technical specifications can be found on the rating plate.

→ "Appliance", Fig. 1/13, Page 10

### 20.1 Information regarding free and open source software

This product includes software components that are licensed by the copyright holders as free or open source software.

The applicable license information is stored on your home appliance. You can also access the applicable license information via your Home Connect® app: "Profile -> Legal information -> License Information".<sup>1</sup> You can also download the license information on the brand product website. (Please search on the product website for your appliance model and additional documents). Alternatively, you can request the relevant information from [ossrequest@bshg.com](mailto:ossrequest@bshg.com) or BSH Hausgeräte GmbH, Carl-Wery-Str. 34, 81739 Munich, Germany.

The relevant source code will be made available to you on request.

Please send your request to [ossrequest@bshg.com](mailto:ossrequest@bshg.com) or BSH Hausgeräte GmbH, Carl-Wery-Str.34, 81739 Munich, Germany.

Subject: „OSSREQUEST“

The cost of performing your request will be charged to you. This offer is valid for three years from the date of purchase or at least as long as we offer support and spare parts for the relevant appliance.

---

<sup>1</sup> Depending on the appliance specifications

Pour plus d'informations, veuillez vous reporter au Guide de l'utilisateur numérique.



## Table des matières

<b>1 Sécurité</b> .....	<b>35</b>	7.2 Remarques concernant le fonctionnement de l'appareil.....	45
1.1 Définitions des termes de sécurité .....	35	7.3 Éteindre l'appareil.....	45
1.2 Indications générales .....	35	7.4 Régler l'unité de température .....	45
1.3 Conformité d'utilisation.....	35	7.5 Régler la température.....	45
1.4 Restrictions au cercle d'utilisateurs .....	35	7.6 Réglage de stockage pour le compartiment froid.....	46
1.5 Transport sûr.....	35	<b>8 Fonctions additionnelles</b> .....	<b>46</b>
1.6 Installation sûre.....	35	8.1 Super-réfrigération .....	46
1.7 Utilisation sûre .....	36	8.2 Super-congélation .....	46
1.8 Appareil endommagé.....	37	8.3 Mode Vacances .....	46
1.9 Mises en garde conformément à la proposition 65 de l'État de Californie .....	37	8.4 Mode économie d'énergie .....	46
<b>2 Prévenir les bris matériels</b> .....	<b>38</b>	8.5 Mode Fraîcheur .....	47
<b>3 Protection de l'environnement et économies</b> .....	<b>38</b>	8.6 Éclairage intérieur .....	47
3.1 Mise au rebut de l'emballage .....	38	8.7 Mode Sabbat.....	47
3.2 Économiser de l'énergie.....	38	8.8 Notification du changement de filtre .....	47
<b>4 Installation et branchement</b> .....	<b>39</b>	8.9 Statut de changement de filtre.....	47
4.1 Contenu de livraison .....	39	<b>9 Alarme</b> .....	<b>47</b>
4.2 Critères pour le lieu d'installation.....	39	9.1 Alarme de porte.....	47
4.3 Monter l'appareil.....	39	9.2 Alarme de température.....	48
4.4 Préparer l'appareil pour la première utilisation .....	39	<b>10 Home Connect®</b> .....	<b>48</b>
4.5 Brancher l'appareil au raccordement d'eau potable .....	39	10.1 Configurer Home Connect® .....	48
4.6 Raccordement électrique de l'appareil .....	39	10.2 Contrôler l'intensité du signal .....	49
<b>5 Description de l'appareil</b> .....	<b>40</b>	10.3 Installer la mise à jour du logiciel Home Connect... ..	49
5.1 Appareil.....	40	10.4 Réinitialiser les réglages Home Connect® .....	49
5.2 Bandeau de commande .....	41	10.5 Diagnostic à Distance.....	49
5.3 Bandeau de commande (sous-menu) .....	42	10.6 Protection des données.....	50
5.4 Bandeau de commande (compartiment froid).....	43	<b>11 Compartiment réfrigération</b> .....	<b>50</b>
<b>6 Équipement</b> .....	<b>43</b>	11.1 Conseils pour ranger des produits alimentaires dans le compartiment réfrigération .....	50
6.1 Clayette.....	43	11.2 Zones froides du réfrigérateur .....	50
6.2 Rail d'équipement .....	43	<b>12 Compartiment froid</b> .....	<b>50</b>
6.3 Clayette fixe .....	44	12.1 Recommandations de stockage dans le compartiment froid.....	50
6.4 Bac tiroir.....	44	<b>13 Compartiment congélation</b> .....	<b>50</b>
6.5 Bac de rangement à froid.....	44	13.1 Conseils pour ranger des aliments dans le compartiment congélation .....	51
6.6 Séparateur de bac .....	44	13.2 Conseils pour congeler des aliments frais .....	51
6.7 Bac à aliments congelés plat.....	44	13.3 Méthodes de décongélation pour aliments congelés.....	51
6.8 Bac tiroir à aliments congelés .....	44	<b>14 Système hydraulique</b> .....	<b>51</b>
6.9 Bac à produits congelés suspendu.....	44	14.1 Filtre à eau .....	51
6.10 Compartiment à beurre et à fromage .....	44	14.2 Notification du changement de filtre .....	52
6.11 Compartiment de contre-porte .....	44	14.3 Statut de changement de filtre.....	52
6.12 Réserve à glaçons .....	44		
6.13 Accessoires .....	45		
<b>7 Opération de base</b> .....	<b>45</b>		
7.1 Mettre l'appareil sous tension.....	45		

14.4 Distributeur d'eau .....	52
14.5 Distributeur de glaçons .....	53
<b>15 Dégivrer .....</b>	<b>54</b>
15.1 Dégivrer le compartiment réfrigération .....	54
15.2 Dégivrage dans le compartiment froid.....	54
15.3 Dégivrer le compartiment congélation .....	54
<b>16 Nettoyage et entretien .....</b>	<b>54</b>
16.1 Préparer l'appareil pour le nettoyage.....	54
16.2 Nettoyer l'appareil .....	54
16.3 Retirer les pièces d'équipement .....	54
16.4 Démonter les pièces de l'appareil .....	56
<b>17 Dépannage .....</b>	<b>60</b>
17.1 Panne de courant.....	63
17.2 Effectuer l'auto-test de l'appareil .....	63
<b>18 Entreposage et mise au rebut.....</b>	<b>63</b>
18.1 Mettre l'appareil hors service .....	63
18.2 Éliminer un appareil usagé.....	63
<b>19 Service à la clientèle.....</b>	<b>64</b>
19.1 Numéro de modèle (E-Nr.) et numéro de fabrication (FD) .....	64
<b>20 Données techniques.....</b>	<b>64</b>
20.1 Informations sur le logiciel libre .....	64



# IMPORTANTES CONSIGNES DE SÉCURITÉ

## LIRE ET CONSERVER CES INSTRUCTIONS

Respectez les consignes de sécurité suivantes.

### 1.1 Définitions des termes de sécurité

Vous trouverez ici des explications sur les mots de signalisation de sécurité utilisés dans ce manuel.

#### **AVERTISSEMENT**

Signale un risque de mort ou de blessure grave si l'avertissement n'est pas respecté.

#### **MISE EN GARDE**

Signale un risque de blessures mineures ou modérées si l'avertissement n'est pas respecté.

#### **AVIS :**

Ceci indique que la non-conformité à cet avis de sécurité peut entraîner des dégâts matériels ou endommager l'appareil.

**Remarque :** Ceci vous signale des informations importantes.

### 1.2 Indications générales

- Lisez attentivement cette notice.
- Veuillez conserver la notice et les renseignements sur le produit en vue d'une réutilisation ultérieure ou pour un futur nouveau propriétaire.
- Ne branchez pas l'appareil si ce dernier a été endommagé durant le transport.

### 1.3 Conformité d'utilisation

Utilisez l'appareil uniquement :

- pour réfrigérer et congeler des aliments, pour préparer de la glace et pour distribuer de l'eau.
- dans un domicile privé et dans une pièce fermée de l'environnement domestique.
- jusqu'à une altitude maximale de 13 100 pi (4000 m) au-dessus du niveau de la mer.

### 1.4 Restrictions au cercle d'utilisateurs

Cet appareil n'est pas destiné à être utilisé par des personnes (y compris des enfants) présentant des capacités physiques, sensorielles ou mentales réduites, à moins qu'elles n'aient été informées de la manière d'utiliser l'appareil par une personne responsable de leur sécurité.

Ne permettez jamais aux enfants de jouer avec l'appareil.

Le nettoyage de l'appareil et l'entretien par l'utilisateur sont des activités que les enfants ne peuvent pas effectuer sans surveillance.

### 1.5 Transport sûr

#### **AVERTISSEMENT**

Il peut être risqué de soulever l'appareil en raison de son poids élevé.

- ▶ Soulevez l'appareil à deux personnes.

### 1.6 Installation sûre

#### **AVERTISSEMENT**

Pour éviter tout risque de blessure lié à une installation incorrecte, il convient de respecter les points suivants.

- ▶ Assurez-vous que toutes les instructions d'installation ont été suivies avant l'utilisation.
- ▶ Observer impérativement les indications figurant sur la plaque signalétique lors du raccordement et de l'utilisation de l'appareil.
- ▶ Brancher l'appareil uniquement à l'aide d'une fiche dûment installée avec mise à la terre dans une prise secteur à courant alternatif.
- ▶ Le système à conducteur de protection de l'installation électrique de la maison doit être installé correctement.
- ▶ Ne jamais alimenter l'appareil par l'intermédiaire d'un appareil de commutation externe, par ex. une minuterie ou une télécommande.
- ▶ Si l'appareil est encastré, la fiche du cordon d'alimentation secteur doit être librement accessible ou, si un accès libre est impossible, un dispositif de sectionnement doit être installé dans l'installation électrique fixe, conformément aux réglementations d'installation.
- ▶ Veillez à ne pas coincer ou endommager le câble d'alimentation en posant l'appareil.

Pour éviter tout risque de blessure dû à une isolation endommagée du cordon d'alimentation, observez ce qui suit.

- ▶ Ne mettez jamais en contact le cordon d'alimentation avec des sources de chaleur.

#### **AVERTISSEMENT**

Si les orifices de ventilation de l'appareil sont obstrués, un mélange gaz-air inflammable peut se produire si le circuit de réfrigération fuit.

- ▶ N'obstruez pas les orifices de ventilation dans le boîtier de l'appareil ou dans le boîtier d'installation.



# IMPORTANTES CONSIGNES DE SÉCURITÉ

## LIRE ET CONSERVER CES INSTRUCTIONS

### AVERTISSEMENT

Pour éviter tout risque de blessure dû à un cordon d'alimentation trop long et à des adaptateurs non approuvés, observez ce qui suit.

- ▶ Ne pas utiliser de rallonge ni de bloc multiprise.
- ▶ Utiliser uniquement les adaptateurs et cordons d'alimentation secteur autorisés par le fabricant.
- ▶ Si le cordon d'alimentation secteur est trop court et qu'aucun autre cordon plus long n'est disponible, contacter un électricien spécialisé pour adapter l'installation domestique.

Les blocs multiprises ou blocs secteur mobiles peuvent surchauffer et provoquer un incendie.

- ▶ Ne placez pas les blocs multiprises ou blocs secteur mobiles à l'arrière des appareils.

## 1.7 Utilisation sûre

### AVERTISSEMENT

L'humidité qui pénètre peut occasionner une électrocution.

- ▶ Utiliser l'appareil uniquement dans des pièces fermées.
- ▶ Ne jamais exposer l'appareil à une forte chaleur ou humidité.
- ▶ N'utilisez pas de nettoyeur haute pression ou de nettoyeur à vapeur pour nettoyer l'appareil.

### AVERTISSEMENT

Les enfants peuvent se passer le matériel d'emballage par-dessus la tête, s'y enrouler et s'y étouffer.

- ▶ Gardez le matériel d'emballage à l'écart des enfants.
- ▶ Ne permettez jamais aux enfants de jouer avec le matériel d'emballage.

Les enfants risquent d'inhaler ou d'avaler des petits morceaux et s'étouffer.

- ▶ Gardez les petits morceaux à l'écart des enfants.
- ▶ Ne permettez jamais aux enfants de jouer avec les petits morceaux.

### AVERTISSEMENT

L'endommagement du circuit de réfrigération peut provoquer la fuite et l'explosion du fluide frigorigène inflammable.

- ▶ Pour accélérer le dégivrage, n'utilisez pas d'autres dispositifs mécaniques ou d'autres produits que ceux recommandés par le fabricant.
- ▶ Détachez les aliments congelés à l'aide d'un objet émoussé, par exemple le manche d'une cuillère en bois.

Des produits contenant des gaz propulseurs inflammables et des matières explosives peuvent exploser, par ex. bombes aérosols.

- ▶ Ne stockez pas de produits contenant des gaz propulseurs inflammables et des matières explosives dans l'appareil.

### AVERTISSEMENT

Les appareils électriques à l'intérieur de l'appareil peuvent provoquer un incendie, par ex. appareils de chauffage ou fabriques de glace électriques.

- ▶ N'utilisez aucun appareil électrique à l'intérieur de l'appareil.

### AVERTISSEMENT

Les récipients contenant des boissons gazeuses risquent d'éclater.

- ▶ Ne stockez jamais de récipient contenant des boissons gazeuses dans le compartiment froid à moins de 34 °F (1 °C).
- ▶ Ne stockez jamais de boissons gazeuses dans le compartiment congélation.

Lésions oculaires dues à la fuite de fluide frigorigène inflammable et de gaz nocifs.

- ▶ Veillez à ne pas endommager les tubulures du circuit frigorifique, ni l'isolant.

L'appareil peut basculer.

- ▶ Ne vous servez jamais du socle, des glissières ou des portes comme marchepieds et ne vous appuyez jamais dessus.

### AVERTISSEMENT

Un contact avec les produits congelés et les surfaces froides peut entraîner des brûlures par le froid.

- ▶ Ne portez jamais des produits surgelés à la bouche immédiatement après les avoir sortis du compartiment congélation.
- ▶ Évitez tout contact prolongé de la peau avec les produits congelés, la glace et les surfaces métalliques présents dans le compartiment congélation.

### MISE EN GARDE

Pour éviter toute contamination des produits alimentaires, respectez les instructions suivantes.

- ▶ L'ouverture prolongée de la porte peut entraîner une importante augmentation de la température dans les compartiments de l'appareil.
- ▶ Nettoyez régulièrement les surfaces qui peuvent entrer en contact avec des produits alimentaires et systèmes d'écoulement accessibles.



# IMPORTANTES CONSIGNES DE SÉCURITÉ

## LIRE ET CONSERVER CES INSTRUCTIONS

- ▶ Rincez le système hydraulique si aucune eau n'a été prélevée pendant 5 jours.
- ▶ Conserver la viande et le poisson crus dans des récipients appropriés dans l'appareil de réfrigération de sorte qu'ils ne soient pas en contact avec d'autres aliments et qu'ils ne coulent pas dessus.
- ▶ Si le réfrigérateur/congélateur reste vide pendant une longue période, éteignez l'appareil, dégivrez-le, nettoyez-le et laissez la porte ouverte, afin d'éviter la formation de moisissures.

Les pièces métalliques ou d'aspect métallique de l'appareil peuvent contenir de l'aluminium. Si des aliments acides entrent en contact avec de l'aluminium, des ions d'aluminium peuvent être transférés dans les aliments.

- ▶ Ne consommez pas les aliments contaminés.

### 1.8 Appareil endommagé

#### AVERTISSEMENT

Pour éviter tout risque de blessure dû à un appareil ou à un cordon d'alimentation endommagé, observez ce qui suit.

- ▶ Ne jamais utiliser un appareil endommagé.
- ▶ Ne jamais tirer sur le cordon d'alimentation secteur pour débrancher l'appareil du secteur. Toujours débrancher la fiche mâle du cordon d'alimentation secteur.
- ▶ Si l'appareil ou le cordon d'alimentation secteur est endommagé, débrancher immédiatement la fiche mâle du cordon d'alimentation secteur ou couper le fusible dans le boîtier à fusibles et fermer le robinet d'eau.
- ▶ Appeler le service à la clientèle. → *Page 64*

Pour éviter tout risque de blessure dû à des réparations incorrectes, respectez les points suivants.

- ▶ Seuls des techniciens qualifiés ou des prestataires de services agréés peuvent effectuer des réparations.
- ▶ Seules des pièces de rechange d'origine peuvent être utilisées pour réparer l'appareil.
- ▶ Si le cordon d'alimentation secteur ou le cordon d'alimentation de l'appareil est endommagé, ils doivent être remplacés par des cordons spécifiques disponibles auprès du fabricant ou de son service après-vente.

#### AVERTISSEMENT

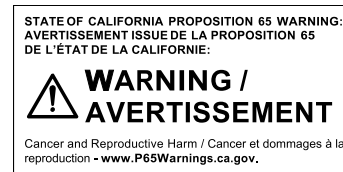


En cas d'endommagement des tuyaux, du fluide frigorigène inflammable et des gaz nocifs peuvent s'échapper et s'enflammer.

- ▶ Éloignez l'appareil de toute flamme nue ou source d'inflammation.
- ▶ Aérez la pièce.
- ▶ Éteindre l'appareil. → *Page 45*
- ▶ Retirez la fiche du cordon d'alimentation secteur ou désactivez le fusible dans la boîte à fusibles.
- ▶ Appeler le service après-vente. → *Page 64*

### 1.9 Mises en garde conformément à la proposition 65 de l'État de Californie

Ce produit pourrait contenir un produit chimique reconnu par l'État de la Californie comme cancérigène ou ayant des effets nocifs sur la reproduction. Par conséquent, vous pourriez devoir apposer l'étiquette suivante sur l'emballage du produit comme requis par la Californie :



## 2 Prévenir les bris matériels

### AVIS :

Le poids élevé de l'appareil ou le basculement des roulettes de l'appareil risquent d'endommager le sol lors de son déplacement.

- ▶ Transportez l'appareil avec un diable.
- ▶ Lorsque vous déplacez l'appareil, protégez le sol et ne faites pas de zigzags.

Lorsque vous fermez la porte de l'appareil, un montant de porte déplié peut endommager l'appareil.

- ▶ Ne dépliez jamais le montant de porte manuellement.
- ▶ Lorsque le montant de porte est déplié, repliez-le avant de refermer la porte de l'appareil.

L'utilisation de l'appareil, du socle, des glissières ou des portes comme surface d'assise ou comme marchepied peut endommager l'appareil.

- ▶ Ne vous servez jamais de l'appareil, du socle, des glissières ou des portes comme marchepieds et ne vous appuyez jamais dessus.

Observez les consignes suivantes pour éviter d'endommager l'appareil ou votre propriété.

- ▶ Ne raccordez pas l'appareil à la conduite d'eau si des travaux de construction sont en cours ou si l'eau semble trouble ou contient des particules visibles. Négliger ces instructions pourrait entraîner la présence de corps étrangers dans l'appareil, ce qui pourrait en affecter la performance ou causer des fuites d'eau.

Une pression de l'eau trop faible ou trop élevée peut gêner le fonctionnement de l'appareil.

- ▶ Assurez-vous que la pression d'eau au niveau de l'alimentation en eau est comprise entre 29 psi (200 kPa) minimum et 116 psi (800 kPa) maximum.
- ▶ Si la pression hydraulique excède la valeur maximale indiquée, un réducteur de pression entre le raccord d'eau potable et la trousse de tuyaux de l'appareil doit être installé.

Les tuyaux d'eau modifiés ou endommagés peuvent provoquer des dégâts matériels ou endommager l'appareil.

- ▶ Veillez à ne jamais plier, écraser, modifier ou couper les tuyaux d'eau.
- ▶ Ne réutilisez jamais des tuyaux d'eau usagés.
- ▶ Ne tirez jamais sur le tuyau d'eau ou sur la paroi arrière de l'appareil.

En cas de salissures provenant d'huile ou de graisse, des pièces en matière plastique et les joints de porte peuvent devenir poreux.

- ▶ Veillez à ce que les pièces en matière plastique et les joints de porte soient exempts d'huile et de graisse.

Les pièces métalliques ou d'aspect métallique de l'appareil peuvent contenir de l'aluminium. Au contact avec des aliments acides, l'aluminium se corrode et se décolore.

- ▶ Ne conserver des aliments dans l'appareil que s'ils sont emballés.

Si vous nettoyez les pièces d'équipement et les accessoires au lave-vaisselle, ceux-ci risquent de se déformer ou de déteindre.

- ▶ Ne nettoyez jamais les équipements et accessoires au lave-vaisselle.

## 3 Protection de l'environnement et économies

### 3.1 Mise au rebut de l'emballage

Les matériaux d'emballage sont écologiques et recyclables.

- ▶ Veuillez éliminer les pièces détachées après les avoir triées par matières.

### 3.2 Économiser de l'énergie

Si vous respectez les instructions suivantes, votre appareil consommera moins de courant.

#### Choisir le lieu d'installation

- Protégez l'appareil de la lumière directe du soleil.
- Installez l'appareil aussi loin que possible des radiateurs, des cuisinières et des autres sources de chaleur :
  - Respectez une distance de 1<sup>1</sup>/<sub>4</sub>" (30 mm) par rapport aux cuisinières électriques ou à gaz.
  - Respectez une distance de 11<sup>13</sup>/<sub>16</sub>" (300 mm) par rapport à un appareil de chauffage au fuel ou au charbon.
- Ne recouvrez et ne bouchez jamais les orifices de ventilation extérieurs.

#### Économiser de l'énergie lors de l'utilisation

**Remarque :** La disposition des pièces d'équipement n'a aucune influence sur la consommation d'énergie de l'appareil.

- N'ouvrez que brièvement l'appareil et fermez-le avec précaution.
- Ne recouvrez et n'obstruez jamais les grilles de ventilation intérieures ni les orifices de ventilation extérieurs.
- Transportez les produits alimentaires achetés dans un sac isotherme et rangez-les rapidement dans l'appareil.
- Attendez que les aliments et les boissons chaudes refroidissent avant de les ranger.
- Pour profiter du froid des produits congelés, placez les produits à décongeler dans le compartiment réfrigération.
- Laissez toujours un peu de place entre les produits alimentaires et la paroi arrière.
- Aspirez la poussière des grilles de ventilation extérieures.

## 4 Installation et branchement

### 4.1 Contenu de livraison

Après avoir déballé le produit, inspectez toutes les pièces pour détecter d'éventuels dégâts dus au transport et vous assurer de l'intégralité de la livraison.

En cas de réclamation, veuillez vous adresser à votre revendeur ou auprès de notre service à la clientèle

→ Page 64.

La livraison comprend :

- Appareil indépendant
- Des équipements et accessoires<sup>1</sup>
- Matériel de montage
- Notice de montage
- Le mode d'emploi
- Déclaration de garantie limitée du produit
- Le document annexe de la garantie<sup>2</sup>
- Le label énergétique
- Des informations relatives à la consommation d'énergie et aux bruits
- Des informations sur Home Connect®

### 4.2 Critères pour le lieu d'installation

#### AVERTISSEMENT

Si l'appareil est installé dans une pièce trop petite, une éventuelle fuite du circuit de réfrigération pourrait donner lieu à un mélange de gaz et d'air inflammable.

- ▶ Placez l'appareil uniquement dans une pièce dont le volume minimum est de 35 ft<sup>3</sup> (1 m<sup>3</sup>) par 8 g de fluide frigorigène. La quantité de fluide frigorigène est indiquée sur la plaque signalétique. → "Appareil", Fig.

**1/13**, Page 41

Selon le modèle, le poids de l'appareil départ usine peut atteindre 345 lbs (155 kg).

Le plancher doit être assez stable pour supporter le poids de l'appareil.

Le plancher doit être plat.

#### Installation au-dessus et en-dessous, et côte à côte

Si vous souhaitez installer 2 réfrigérateurs superposés ou côte à côte, vous devez observer une distance d'au moins 150 mm entre les appareils. Pour les appareils sélectionnés, une installation sans distance minimale est possible. Demandez conseil à votre revendeur ou à votre cuisiniste.

### 4.3 Monter l'appareil

- ▶ Montez l'appareil selon les instructions de montage jointes.

<sup>1</sup> selon l'équipement de l'appareil

<sup>2</sup> Pas dans tous les pays

### 4.4 Préparer l'appareil pour la première utilisation

1. Retirez le matériel d'informations.
2. Retirer les films protecteurs et les sécurités de transport, par ex. les bandes adhésives et le carton.
3. Nettoyez l'appareil pour la première fois. → Page 54

### 4.5 Brancher l'appareil au raccordement d'eau potable

#### Exigence

- Une vanne d'arrêt est installée au niveau du raccordement d'eau et est librement accessible après l'installation de l'appareil.
  - Le raccordement d'eau est testé et la qualité de l'eau est potable.
  - Le tuyau d'évacuation d'eau est pourvu d'une bague d'étanchéité.
1. Prélevez de l'eau potable à partir du raccordement à l'eau potable de l'installation domestique jusqu'à ce qu'il n'y ait plus de dépôts ou de turbidité.  
En cas de dépôts permanents ou de turbidité dans l'eau potable, installez un système de filtre à eau externe.
  2. Installez le tuyau d'évacuation d'eau sur l'appareil selon les instructions de montage.

### 4.6 Raccordement électrique de l'appareil

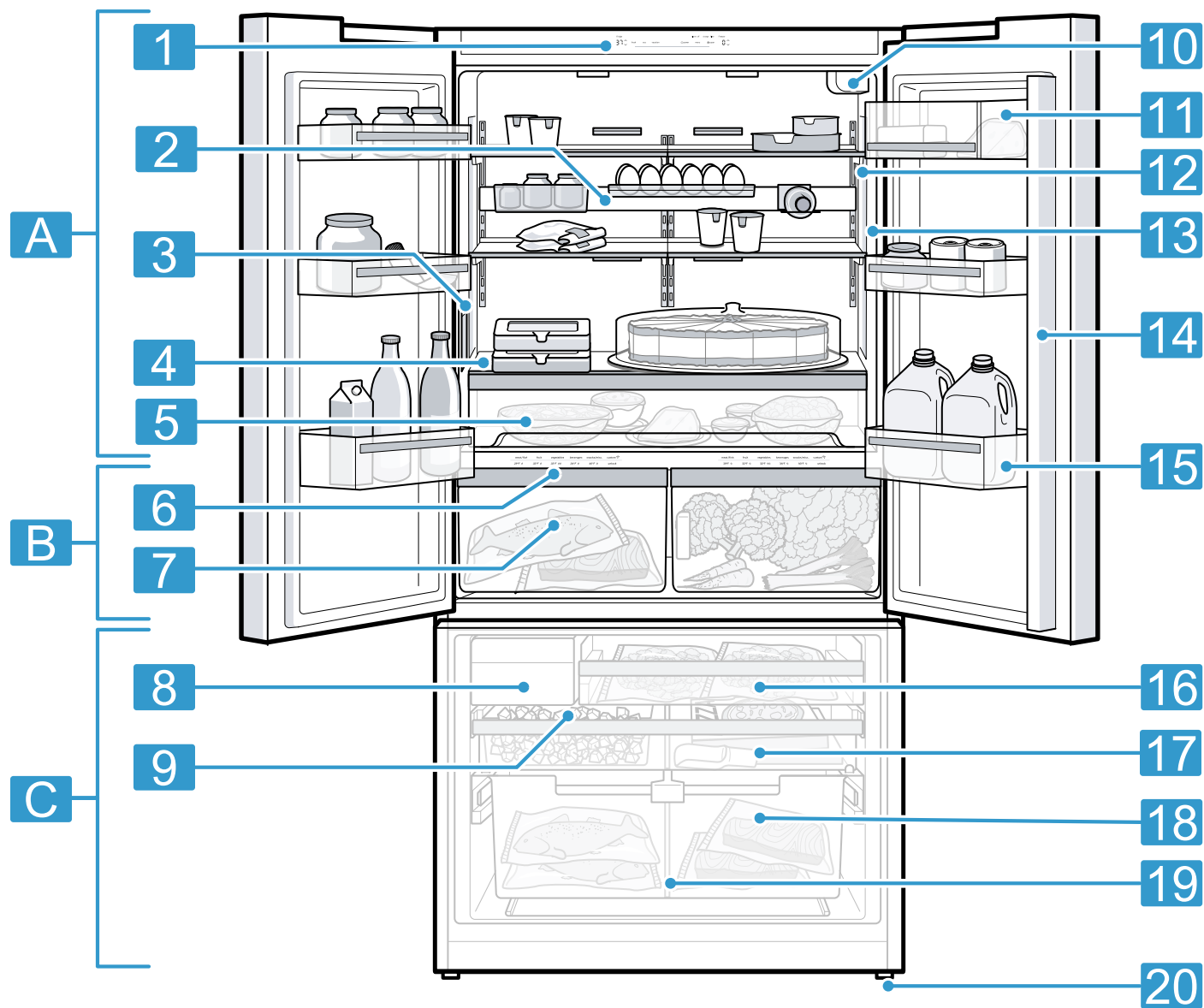
1. Branchez la prise froide du cordon d'alimentation secteur sur l'appareil.
  2. Branchez la fiche secteur du cordon d'alimentation de l'appareil dans une prise murale avec mise à la terre à proximité de l'appareil.  
Les données de raccordement de l'appareil sont indiquées sur la plaque signalétique. → "Appareil", Fig.
  3. S'assurer que la fiche est correctement insérée.
- ✓ L'appareil est maintenant prêt à fonctionner.

**1/13**, Page 41

## 5 Description de l'appareil

### 5.1 Appareil

Cette section contient une vue d'ensemble des composants de votre appareil.



**1** Selon l'équipement et la taille, des divergences sont possibles entre votre appareil et les illustrations.

**A** Compartiment réfrigération → Page 50

**B** Compartiment froid → Page 50

**C** Compartiment congélation → Page 50

**1** Panneau de configuration → Page 41

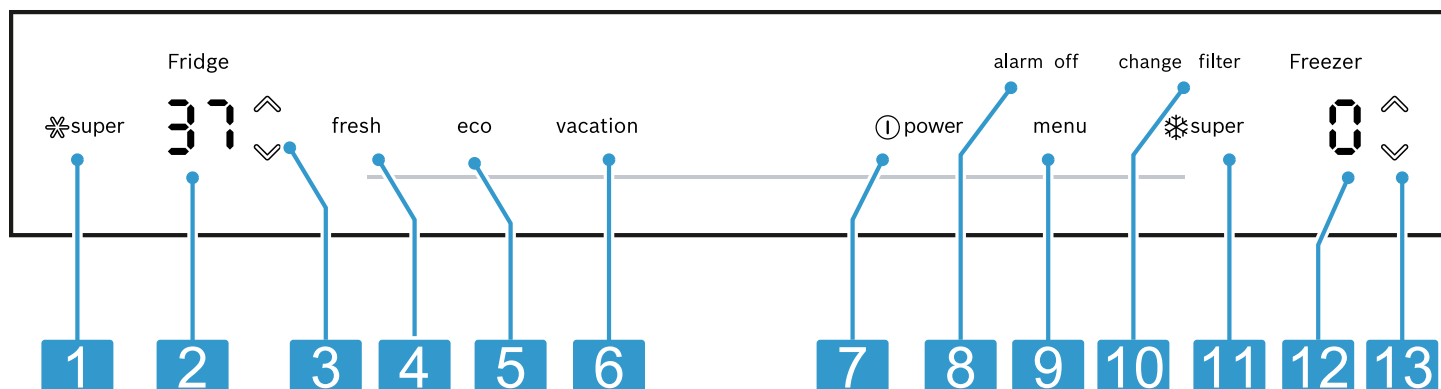
**2** Rail d'équipement → Page 43

**3** Distributeur d'eau → Page 52

<b>4</b>	Clayette fixe → Page 44	<b>13</b>	Plaque signalétique → Page 64
<b>5</b>	Bac tiroir → Page 44	<b>14</b>	Montant de porte avec protection anti-condensation → Page 38
<b>6</b>	Bandeau de commande (compartiment froid) → Page 43	<b>15</b>	Compartiment de contre-porte pour grandes bouteilles → Page 44
<b>7</b>	Bac de rangement à froid → Page 44	<b>16</b>	Bac tiroir à aliments congelés → Page 44
<b>8</b>	Distributeur de glaçons → Page 53	<b>17</b>	Bac à aliments congelés plat → Page 44
<b>9</b>	Réserve à glaçons → Page 44	<b>18</b>	Bac à produits congelés suspendu → Page 44
<b>10</b>	Filtre à eau → Page 51	<b>19</b>	Séparateur de bac → Page 44
<b>11</b>	Compartiment à beurre et à fromage → Page 44	<b>20</b>	Pied à vis

## 5.2 Bandeau de commande

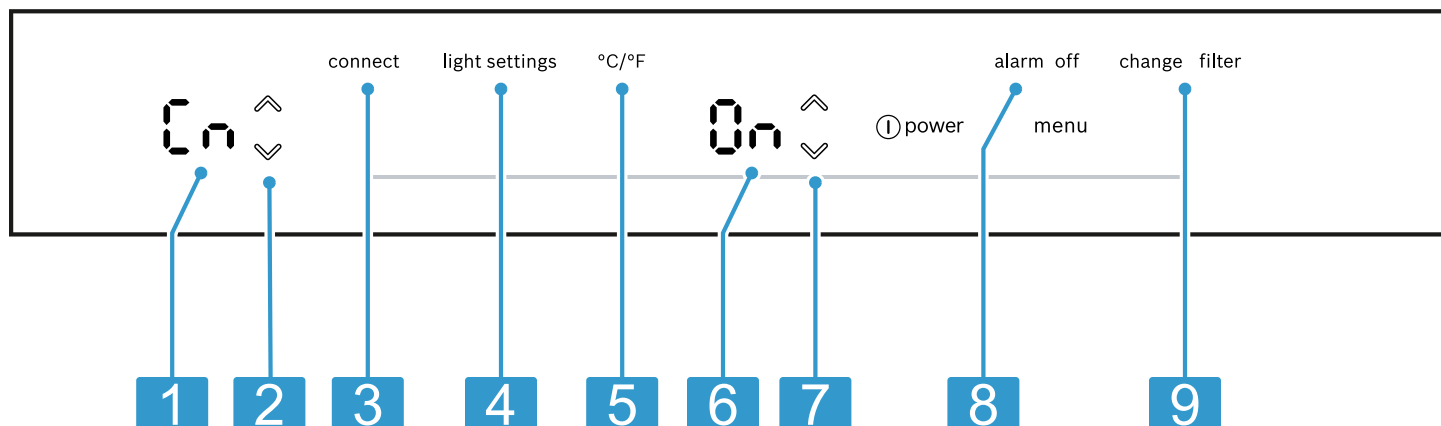
Le bandeau de commande vous permet de configurer toutes les fonctions de votre appareil et d'obtenir des informations sur son état de fonctionnement.



<b>2</b>		<b>8</b>	alarm off éteint l'alarme.
<b>1</b>	❄️super active ou désactive la fonction Super-réfrigération.	<b>9</b>	menu ouvre et ferme le menu.
<b>2</b>	Affiche la température réglée du compartiment réfrigération.	<b>10</b>	change fliter s'allume lorsque le filtre doit être remplacé.
<b>3</b>	↕/↗ (réfrigérateur) règle la température du compartiment réfrigération.	<b>11</b>	❄️super active ou désactive la fonction Super-congélation.
<b>4</b>	fresh active ou désactive le mode Fraîcheur.	<b>12</b>	Affiche la température réglée du compartiment congélation en °C.
<b>5</b>	eco allume ou éteint le mode Économie d'énergie.	<b>13</b>	↕/↗ (congélateur) règle la température du compartiment congélation.
<b>6</b>	vacation active ou désactive le mode Vacances.		
<b>7</b>	Ⓛ power allume ou éteint l'appareil.		

### 5.3 Bandeau de commande (sous-menu)

Le sous-menu vous permet d'effectuer d'autres réglages.

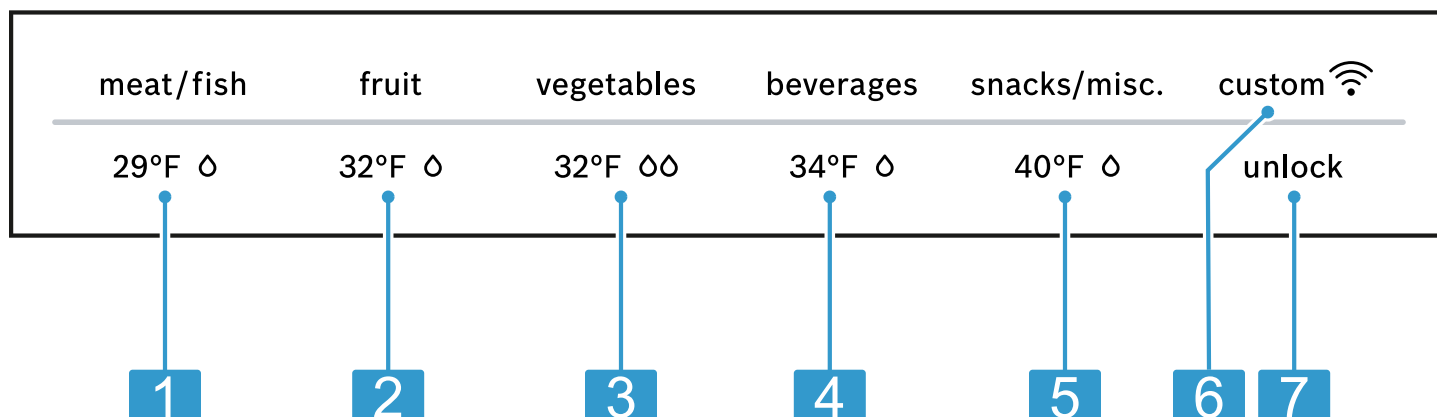


#### 3

- |   |   |
|---|---|
| <p><b>1</b> Indique le sous-menu sélectionné.</p>                       | <p><b>5</b> °C/°F ouvre le menu pour modifier l'unité de température.</p>   |
| <p><b>2</b> ∨/∧ (sous-menu) permet de naviguer dans le sous-menu.</p>   | <p><b>6</b> Indique le réglage du sous-menu.</p>                            |
| <p><b>3</b> menu ouvre le menu de réglage de Home Connect.</p>          | <p><b>7</b> ∨/∧ (réglage du sous-menu) modifie le réglage du sous-menu.</p> |
| <p><b>4</b> light settings ouvre le menu de réglage de l'éclairage.</p> | <p><b>8</b> alarm off ouvre le menu de réglage de l'alarme de porte.</p>    |
|   | <p><b>9</b> change filter ouvre le menu de réglage du filtre.</p>           |

## 5.4 Bandeau de commande (compartiment froid)

Le bandeau de commande du compartiment froid vous permet de régler la température et l'humidité dans le compartiment froid.



4


**1** 29°F ◊ règle le réglage de stockage dans le compartiment froid pour la viande et le poisson.

**2** 32°F ◊ règle le réglage de stockage dans le compartiment froid pour les fruits.

**3** 32°F ◊◊ règle le réglage de stockage dans le compartiment froid pour les légumes.

**4** 34°F ◊ règle le réglage de stockage dans le compartiment froid pour les boissons.

**5** 40°F ◊ règle le réglage de stockage dans le compartiment froid pour les snacks.

**6** custom  s'allume lorsque des réglages définis par l'utilisateur sont réglés via l'appli Home Connect®. Vous trouverez de plus amples informations dans l'appli Home Connect®.

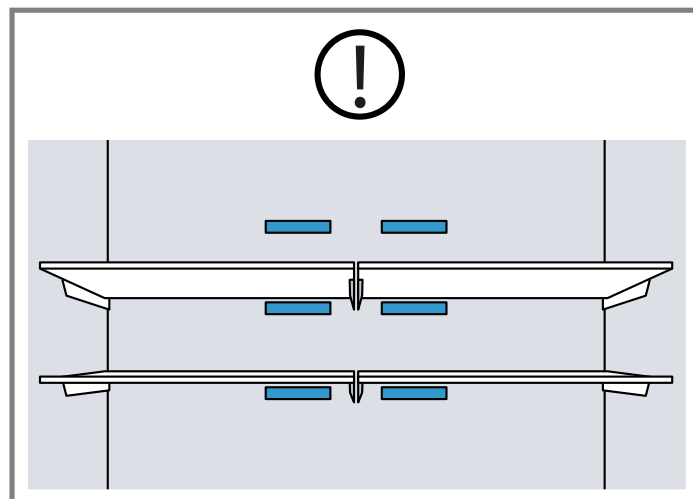
**7** unlock désactive le verrouillage des touches du bandeau de commande (compartiment froid).

Pour varier la position de la clayette selon les besoins, vous pouvez retirer la clayette et la replacer à un autre endroit.

→ "Retirer la clayette", Page 54

### Remarque

Pour ne pas entraver la circulation de l'air, ne couvrez pas les orifices de ventilation internes.



## 6 Équipement

L'équipement de votre appareil dépend de son modèle.

### 6.1 Clayette

#### AVIS :

Les crochets de la clayette peuvent rayer la paroi arrière du compartiment réfrigération lorsqu'elle est accrochée en biais.

- ▶ Assurez-vous que la clayette est à l'horizontale et que les crochets sont bien enclenchés.

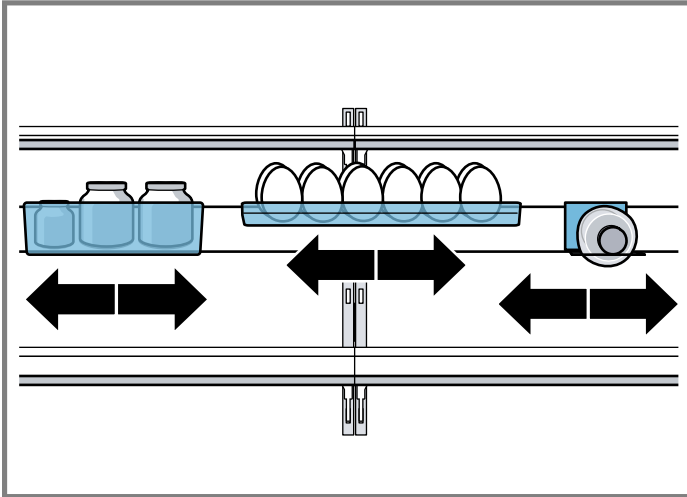
### 6.2 Rail d'équipement

Le rail d'équipement offre un espace de rangement supplémentaire dans le compartiment réfrigération sur les pièces d'équipement :

- Rangez une bouteille de manière sûre sur le support-crochet pour bouteilles.
- Rangez des bocaux dans le bac.

- Rangez une boîte à œufs sur la clayette.

Vous pouvez positionner les pièces d'équipement en un point quelconque le long du rail d'équipement.



**AVIS :**

Les crochets du rail d'équipement peuvent rayer la paroi arrière du compartiment réfrigération lorsqu'il est accroché en biais.

- ▶ Assurez-vous que le rail d'équipement est à l'horizontale et que les crochets sont bien enclenchés.

Vous pouvez retirer le rail d'équipement et le replacer à un autre endroit.

→ "Retirer le rail d'équipement", Page 55

**Conseil :** Placez le rail d'équipement au milieu du compartiment réfrigération.

### 6.3 Clayette fixe

Placez toujours la clayette fixe dans la position indiquée.

### 6.4 Bac tiroir

Rangez les grandes assiettes ou récipients avec les aliments transformés couverts dans le bac tiroir.

### 6.5 Bac de rangement à froid

Utilisez les températures plus basses du bac de rangement à froid pour conserver les aliments périssables, par ex. le poisson, la viande et la charcuterie.

### 6.6 Séparateur de bac

#### ⚠ AVERTISSEMENT

Les enfants peuvent s'introduire dans l'appareil et s'étouffer.

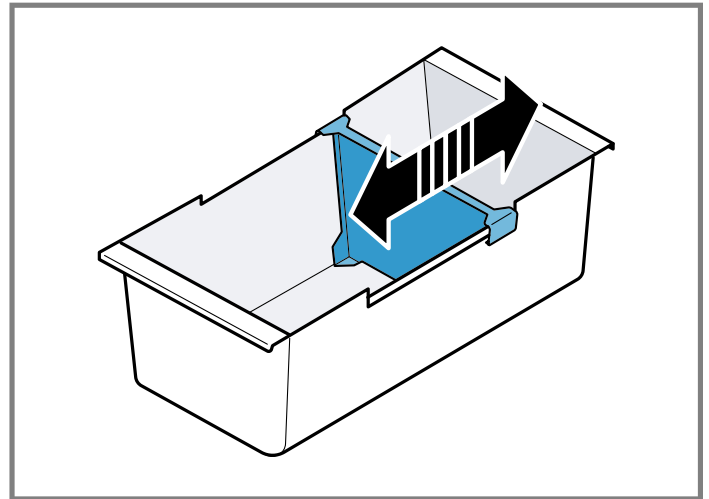
- ▶ Ne retirez jamais le séparateur du bac à produits congelés suspendu.

**AVIS :**

Le séparateur du bac à produits congelés suspendu est endommagé lors de son retrait.

- ▶ Ne retirez jamais le séparateur du bac à produits congelés suspendu.

Pour varier la répartition du bac à produits congelés suspendu, vous pouvez déplacer le séparateur de bac.



### 6.7 Bac à aliments congelés plat

Rangez les aliments congelés plats, la réserve à glaçons et la pelle à glace dans le bac à aliments congelés plat.

### 6.8 Bac tiroir à aliments congelés

Pour obtenir une meilleure vue d'ensemble et pour retirer plus rapidement les aliments congelés, tirez le bac tiroir à aliments congelés.

### 6.9 Bac à produits congelés suspendu

Stockez les aliments congelés volumineux dans le bac à produits congelés suspendu.

### 6.10 Compartiment à beurre et à fromage

Rangez le beurre et le fromage à pâte dure dans le casier à beurre et à fromage.

### 6.11 Compartiment de contre-porte

Pour varier la position du compartiment dans la contre-porte selon les besoins, vous pouvez le retirer et le replacer à un autre endroit.

→ "Retirer le compartiment de contre-porte", Page 55

### 6.12 Réserve à glaçons

Si la production de glaçons est activée, des glaçons sont automatiquement entreposés dans la réserve à glaçons.

**AVIS :**

Le distributeur de glaçons peut être bloqué ou endommagé par des aliments ou des objets stockés dans le bac à glaçons.

- ▶ Ne stockez jamais d'aliments ou d'objets dans le bac à glaçons.

**Remarque :** Pour éviter de trop remplir la réserve à glaçons, ne répartissez pas les glaçons à la main dans celle-ci.

**Conseil :** Pour éviter que des glaçons ne tombent de la réserve à glaçons dans le compartiment congélation, ne cliquez pas le tiroir du compartiment congélation.

### 6.13 Accessoires

Utilisez uniquement des accessoires d'origine. Ils ont été spécialement conçus pour votre appareil. L'accessoire de votre appareil dépend du modèle.

#### Absorbeur d'éthylène

Des consignes de sécurité importantes et des informations sur l'installation et l'utilisation figurent dans les instructions de montage de l'absorbeur d'éthylène. L'absorbeur d'éthylène ralentit la maturation des fruits et légumes sensibles à l'éthylène afin de préserver leur fraîcheur plus longtemps.

#### Installer l'absorbeur d'éthylène

- ▶ Installez l'absorbeur d'éthylène conformément aux instructions de montage de ce dernier.

#### Utiliser le kit de recharge

1. Installez les composants de la trousse de recharge conformément aux instructions de montage de l'absorbeur d'éthylène.
2. Remplacez les sacs et la minuterie au moins tous les 6 mois après l'activation.

**Remarque :** Pour obtenir des trousse de recharge, adressez-vous à notre service après-vente ou consultez notre site Web.


#### Pelle à glace

Utilisez la palette à glace pour prélever une portion des glaçons.

## 7 Opération de base

### 7.1 Mettre l'appareil sous tension

1. Raccordez l'appareil électriquement. → *Page 39*


**Remarque :** Si l'appareil a été préalablement éteint à l'aide du bandeau de commande, appuyez sur  **power**.

- ✓ L'appareil est maintenant prêt à fonctionner.
  - ✓ L'appareil commence à réfrigérer.
  - ✓ Une alarme sonore retentit, l'affichage de la température (compartiment congélation) clignote et "alarm off" est allumé, car le compartiment congélation n'est pas encore assez froid.
2. Éteignez l'alarme sonore avec **alarm off**.
    - ✓ "alarm off" s'éteint dès que la température réglée est atteinte.
  3. Réglez la température souhaitée. → *Page 45*

### 7.2 Remarques concernant le fonctionnement de l'appareil



- Lorsque vous avez allumé l'appareil, il peut s'écouler jusqu'à plusieurs heures avant que la température réglée ne soit atteinte. Ne rangez aucun aliment avant que la température réglée ne soit atteinte.
- Les surfaces frontales et les parois latérales du boîtier sont légèrement chauffées temporairement. Cela permet d'éviter la condensation.
- Lorsque vous refermez la porte, veillez à ce qu'elle ne soit pas bloquée par les aliments stockés.
- Lorsque vous refermez la porte, une dépression peut se produire. La porte est alors difficile à rouvrir. Patientez quelques instants jusqu'à ce que la dépression soit compensée.
- La température de l'appareil varie selon les conditions suivantes :
  - Fréquence des ouvertures de l'appareil
  - Charge
  - Température des aliments nouvellement stockés
  - Température ambiante
  - Exposition directe au soleil

### 7.3 Éteindre l'appareil

- ▶ Appuyez sur  **power**.



### 7.4 Régler l'unité de température

Vous avez le choix entre les unités de température °F et °C.

1. Appuyez sur **menu**.
2. Appuyez sur **°C/°F**.
3. Appuyez sur  /  (réglage du sous-menu) jusqu'à ce que l'affichage du sous-menu indique "F" ou "C".
4. Appuyez sur **menu**.



### 7.5 Régler la température

#### Régler la température du compartiment congélation

- ▶ Appuyez à plusieurs reprises sur  /  (réfrigérateur) jusqu'à ce que l'affichage de la température (compartiment réfrigération) indique le réglage de température souhaité.

La température recommandée dans le compartiment réfrigération est de 37 °F (3 °C).

#### Régler la température du compartiment congélation

- ▶ Appuyez à plusieurs reprises sur  /  (congélateur) jusqu'à ce que l'affichage de la température (compartiment congélation) indique le réglage de température souhaité.

La température recommandée dans le compartiment congélation est de 0 °F (-18 °C).

## 7.6 Réglage de stockage pour le compartiment froid

Vous pouvez régler la température et l'humidité du compartiment froid à l'aide des réglages de stockage prédéfinis.

**Conseil :** D'autres réglages sont disponibles dans l'appli Home Connect®.

### Régler le réglage de stockage pour compartiment froid

1. Appuyez sur n'importe quel champ tactile du bandeau de commande (compartiment froid).
2. Appuyez sur **unlock** jusqu'à ce que le bandeau lumineux s'allume entièrement.
3. Appuyez sur le réglage de paliers souhaité.

## 8 Fonctions additionnelles

Découvrez les fonctions additionnelles dont votre appareil dispose.

### 8.1 Super-réfrigération

La fonction Super-réfrigération permet de refroidir au maximum le compartiment réfrigération.

Activez la fonction Super-réfrigération avant de ranger de grandes quantités d'aliments dans le compartiment réfrigération.

**Remarque :** Lorsque la fonction Super-réfrigération est activée, il est possible que l'appareil fonctionne plus bruyamment.

#### Allumez la fonction Super-réfrigération

- Appuyez sur **❄super**.
- ✓ ❄"super" s'allume.

**Remarque :** Après environ 6 heures, l'appareil passe en mode de fonctionnement normal.

#### Désactivez le Super-réfrigération

- Appuyez sur **❄super**.
- ✓ La température réglée auparavant s'affiche.

### 8.2 Super-congélation

Avec la fonction Super-congélation, le compartiment congélation refroidit au maximum.

Activez la fonction Super-congélation 1 à 2 heures avant de ranger une quantité d'aliments à partir de 2 kg (4,4 lb) dans le compartiment congélation.

Utilisez Super-congélation pour accélérer la production de glaçons.

**Remarque :** Lorsque la fonction Super-congélation est activée, il est possible que l'appareil fonctionne plus bruyamment.

### Allumez la Super-congélation

- Appuyez sur **❄super**.
- ✓ ❄"super" s'allume.

**Remarque :** Après environ 8 heures, l'appareil passe en mode de fonctionnement normal.

### Désactiver la Super-congélation

- Appuyez sur **❄super**.
- ✓ La température réglée auparavant s'affiche.

### 8.3 Mode Vacances

Si vous vous absentez pendant une longue période, vous pouvez activer le mode Vacances pour économiser l'énergie sur l'appareil.

#### ⚠ MISE EN GARDE

Lorsque le mode Vacances est activé, le compartiment réfrigération se réchauffe. L'augmentation de la température peut entraîner la multiplication des bactéries et l'altération des aliments.

- Quand le mode Vacances est activé, ne stockez pas d'aliments dans le compartiment réfrigération.

L'appareil adapte automatiquement les températures.

Compartiment réfrigération	43 °F (6 °C)
Compartiment froid	40 °F (4 °C)
Compartiment congélation	Température inchangée

**Remarque :** En mode Vacances, la production de glaçons et la distribution d'eau sont désactivés.

#### Activer le mode Vacances

- Appuyez sur **vacation**.
- ✓ "vacation" s'allume.

#### Désactiver le mode Vacances

- Appuyez sur **vacation**.
- ✓ La température réglée auparavant s'affiche.

### 8.4 Mode économie d'énergie

Le mode Économie d'énergie permet de commuter en mode de fonctionnement économe en énergie.

L'appareil adapte automatiquement les températures.

Compartiment réfrigération	43 °F (6 °C)
Compartiment froid	32 °F (0 °C)
Compartiment congélation	6 °F (-14 °C)

#### Activer le mode Économie d'énergie

- Appuyez sur **eco**.
- ✓ "eco" s'allume.

## Désactiver le mode Économie d'énergie

- ▶ Appuyez sur **eco**.
- ✓ La température réglée auparavant s'affiche.

## 8.5 Mode Fraîcheur

Pour conserver les aliments frais plus longtemps, vous pouvez activer le mode Fraîcheur sur l'appareil. L'appareil adapte automatiquement les températures.

Compartment réfrigération	36 °F (2 °C)
Compartment froid	32 °F (0 °C)
Compartment congélation	Température inchangée

### Activer le mode fraîcheur

- ▶ Appuyez sur **fresh**.
- ✓ "fresh" s'allume.

### Désactiver le mode fraîcheur



- ▶ Appuyez sur **fresh**.
- ✓ La température réglée auparavant s'affiche.

## 8.6 Éclairage intérieur

Vous pouvez éteindre l'éclairage intérieur ou régler la luminosité.

0	Éclairage intérieur éteint
1	Luminosité minimale
5	Luminosité maximale

### Régler l'éclairage intérieur

1. Appuyez sur **menu**.
2. Appuyez sur **light settings**.
3. Appuyez sur / (réglage du sous-menu) jusqu'à ce que le réglage souhaité apparaisse dans l'affichage des réglages du sous-menu.
4. Appuyez sur **menu**.

## 8.7 Mode Sabbat

En mode Sabbat, toutes les fonctions non essentielles sont désactivées pour vous permettre d'utiliser l'appareil le jour du sabbat.

En mode Sabbat, les fonctions suivantes sont désactivées :

- Super-réfrigération
- Super-congélation
- Alarme
- Distributeur d'eau
- Production de glaçons
- Éclairage intérieur
- Signaux sonores
- Messages sur le bandeau de commande

**Remarque :** En mode Sabbat, l'éclairage du bandeau de commande est moins lumineux.

## Activer le mode sabbat

- ▶ Maintenez enfoncé **vacation** pendant 10 secondes jusqu'à l'émission d'un signal sonore.
- ✓ "alarm" s'allume.

**Remarque :** Au bout d'environ 80 heures, l'appareil revient en fonctionnement normal.

### Désactiver le mode Sabbat

- ▶ Maintenez enfoncé **alarm** pendant 5 secondes jusqu'à l'émission d'un signal sonore.

## 8.8 Notification du changement de filtre

La notification de changement de filtre s'active tous les 6 mois.

"change fliter" s'allume.

**Remarque :** En cas d'augmentation de la consommation d'eau, la notification de changement de filtre s'enclenche plus tôt.

### Désactiver la notification de changement de filtre

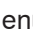
1. Remplacez le filtre à eau.  
Le capuchon bypass ne doit pas être changé.
2. "change fliter" Maintenir enfoncé pendant 3 secondes.
- ✓ "change fliter" s'éteint.
- ✓ Le statut de changement du filtre est réinitialisé.

## 8.9 Statut de changement de filtre

Si vous remplacez le filtre avant la notification de changement de filtre, réinitialisez le statut de changement de filtre.

1	Mesure du statut de changement de filtre en cours
0	Réinitialiser le statut de changement de filtre

### Réinitialiser le statut de changement de filtre

1. Appuyez sur **menu**.
2. Appuyer sur **change filter**.
- ✓ L'affichage des réglages du sous-menu indique "1".
3. Appuyer sur  (réglage du sous-menu).
- ✓ L'affichage des réglages du sous-menu indique "0".
4. Appuyez sur **menu**.

## 9 Alarme

### 9.1 Alarme de porte

L'alarme de porte retentit lorsque la porte de l'appareil reste ouverte longtemps.

Une alarme sonore retentit et "alarm off" clignote.

#### Désactiver l'alarme de porte

- ▶ Fermez la porte de l'appareil ou appuyez sur **alarm off**.


- ✓ L'alarme sonore est désactivée.
- ✓ "alarm off" s'éteint.

### Alarme de porte sonore


Vous pouvez activer ou désactiver l'alarme de porte sonore.

On	Alarme de porte sonore activée
OF	Alarme de porte sonore désactivée

#### Activer l'alarme de porte sonore

1. Appuyez sur **menu**.
2. Appuyez sur **alarm off**.
3. Appuyez sur  (réglage du sous-menu) jusqu'à ce que le réglage souhaité apparaisse dans l'affichage des réglages du sous-menu.
4. Appuyez sur **menu**.

#### Désactiver l'alarme de porte sonore

1. Appuyez sur **menu**.
2. Appuyez sur **alarm off**.
3. Appuyez sur  (réglage du sous-menu) jusqu'à ce que le réglage souhaité apparaisse dans l'affichage des réglages du sous-menu.
4. Appuyez sur **menu**.

## 9.2 Alarme de température

Si la température monte trop dans le compartiment congélation, l'alarme de température retentit. Une alarme sonore retentit, la température réglée (congélateur) et "alarm off" clignotent.

### MISE EN GARDE

Lors de la décongélation, les bactéries peuvent se multiplier et les aliments congelés peuvent s'abîmer.

- ▶ Ne remettez pas à congeler des produits alimentaires partiellement ou entièrement décongelés.
- ▶ Ne recongelez les aliments qu'après avoir les avoir fait cuire ou rôti.
- ▶ N'utilisez plus la durée de conservation dans son intégralité.

L'alarme de température peut s'enclencher dans les cas suivants :

- L'appareil est mis en route.  
Attendez que la température réglée soit atteinte avant de ranger les produits.
- Rangement de grandes quantités de produits alimentaires frais.  
Activez Super-congélation avant de ranger de grandes quantités de nourriture.
- Porte du compartiment congélation restée trop longtemps ouverte.  
Vérifiez si les produits surgelés ont été décongelés.

### Éteindre l'alarme de température

- ▶ Appuyez sur **alarm off**.

- ✓ L'alarme sonore est désactivée.
- ✓ L'affichage de la température (compartiment congélation) indique brièvement la température la plus élevée qui a régné dans le compartiment congélation. Ensuite, l'affichage de la température (compartiment congélation) indique à nouveau la température réglée.
- ✓ À partir de ce moment-là, l'appareil détermine et enregistre à nouveau la température la plus élevée.

## 10 Home Connect®

Cet appareil peut être mis en réseau. Branchez votre appareil à un appareil mobile pour en effectuer la commande via l'application Home Connect®. Les services Home Connect® ne sont pas proposés dans tous les pays. La disponibilité de la fonction Home Connect® dépend de la disponibilité des services Home Connect® dans votre pays. Vous trouverez de plus amples informations à ce sujet à l'adresse : [www.home-connect.com](http://www.home-connect.com).

Pour utiliser Home Connect®, configurez d'abord la connexion à votre réseau domestique WLAN (Wi-Fi<sup>1</sup>) et à l'application Home Connect®. Attendez au moins 2 minutes après la mise en marche de l'appareil, jusqu'à ce que l'initialisation interne de l'appareil soit achevée. Réglez ensuite d'abord Home Connect®.

L'application Home Connect® vous guide tout au long du processus de connexion. Suivez les directives et observez les consignes de l'application Home Connect®.

### Remarques

- Observez les consignes de sécurité de la présente notice d'utilisation et assurez-vous qu'elles sont également respectées si vous utilisez l'appareil avec l'application Home Connect®.  
→ "Sécurité", Page 35
- Les commandes sur l'appareil même ont toujours priorité. Pendant ce temps, la commande via l'application Home Connect® n'est pas possible.

### 10.1 Configurer Home Connect®

**Exigence :** L'appareil a accès au réseau domestique WLAN (Wi-Fi) sur le lieu d'installation.

<sup>1</sup> Wi-Fi est une marque déposée de la société Wi-Fi Alliance.

1. Scanner le code QR ci-après.



Le code QR vous permet d'installer l'appli Home Connect® et de connecter votre appareil.

2. Suivez les instructions de l'application Home Connect®.

## 10.2 Contrôler l'intensité du signal

Vous devez contrôler l'intensité du signal s'il n'est pas possible d'établir de connexion.

1. Appuyer sur **menu**.
  - ✓ "connect" s'allume et l'affichage du sous-menu indique "Cn".
2. Appuyez sur la touche / (sous-menu) jusqu'à ce que l'affichage du sous-menu indique "SI".
  - ✓ L'affichage des réglages du sous-menu indique une valeur entre "0" (aucune réception) et "3" (réception totale).
3. Appuyez sur **menu**.

**Remarque :** Le signal doit avoir une intensité minimale de "2".

### Améliorer la réception

La connexion peut être coupée si l'intensité du signal est trop faible.

- ▶ Réalisez l'une des solutions possibles :
  - Rapprochez davantage le routeur du réfrigérateur.
  - Assurez-vous que la connexion n'est pas perturbée par des murs qui font écran.
  - Installez un répéteur pour amplifier le signal.

## 10.3 Installer la mise à jour du logiciel Home Connect

L'appareil recherche régulièrement des mises à jour du logiciel Home Connect®.

### Remarques

- Lorsque des mises à jour sont disponibles, l'affichage du sous-menu indique "UP".  
Pour interrompre la mise à jour et réinitialiser l'affichage du sous-menu sur la température réglée, appuyez sur un champ tactile quelconque.
- Vous trouverez la version actuelle du logiciel dans l'application Home Connect® sous les informations relatives à l'appareil respectif.

1. Appuyer sur **menu**.
  - ✓ "connect" s'allume et l'affichage du sous-menu indique "Cn".
2. Appuyez sur / (sous-menu) jusqu'à ce que l'affichage du sous-menu indique "UP" et que l'affichage des réglages du sous-menu indique "OF".
3. Appuyez sur (réglage du sous-menu).
  - ✓ L'affichage des réglages du sous-menu montre une animation.
  - ✓ La mise à jour est en cours d'installation.
  - ✓ Pendant l'installation, le bandeau de commande est verrouillé.
  - ✓ Si l'installation est réussie, l'affichage des réglages du sous-menu indique "On".
4. Si l'affichage des réglages du sous-menu indique "Er", cela signifie que l'appareil n'a pas pu installer la mise à jour.
  - Répétez l'opération ultérieurement.
5. Si après plusieurs tentatives la mise à jour n'a pas pu être finalisée, contactez le Service après-vente  
→ Page 64.

## 10.4 Réinitialiser les réglages Home Connect®

Si vous rencontrez des problèmes de connexion de votre appareil à votre réseau domestique WLAN (Wi-Fi) ou si vous souhaitez enregistrer votre appareil dans un autre réseau domestique WLAN (Wi-Fi), vous pouvez réinitialiser les réglages de Home Connect®.

1. Appuyer sur **menu**.
  - ✓ "connect" s'allume et l'affichage du sous-menu indique "Cn".
2. Appuyez sur / (sous-menu) jusqu'à ce que l'affichage du sous-menu indique "rE" et que l'affichage des réglages du sous-menu indique "OF".
3. Appuyez sur (réglage du sous-menu).
  - ✓ L'affichage des réglages du sous-menu montre une animation pendant environ 15 secondes.
  - ✓ L'affichage des réglages du sous-menu indique "On".
  - ✓ Les réglages de Home Connect® sont réinitialisés.
4. Appuyez sur **menu**.

## 10.5 Diagnostic à Distance

Le service à la clientèle peut accéder à votre appareil à l'aide de Diagnostic à Distance si vous le lui demandez, à condition que votre appareil soit connecté au serveur Home Connect® et que Diagnostic à Distance soit disponible pour votre appareil et votre pays. Pour des informations sur la disponibilité de Diagnostic à Distance dans votre pays, consultez la section Service/Soutien de votre site Web local : [www.home-connect.com](http://www.home-connect.com). Veuillez noter que si Diagnostic à Distance peut aider à résoudre certains problèmes, il peut arriver qu'une visite sur place soit nécessaire si le problème ne peut être résolu à distance.

## 10.6 Protection des données

Observez les conseils de protection des données. Lors de la première connexion de votre appareil à un réseau domestique relié à Internet, votre appareil transmet les catégories de données suivantes au serveur Home Connect® (premier enregistrement) :

- Code d'appareil univoque (constitué de clés d'appareil ainsi que de l'adresse MAC du module de communication Wi-Fi intégré).
- Certificat de sécurité du module de communication Wi-Fi (pour la protection des informations de la connexion).
- La version actuelle du logiciel et du matériel de votre électroménager.
- État d'une précédente restauration éventuelle des réglages d'usine.

Ce premier enregistrement prépare l'utilisation des fonctions Home Connect® et s'avère uniquement nécessaire au moment où vous souhaitez utiliser les fonctions Home Connect® pour la première fois.

**Remarque :** Veuillez noter que les fonctions Home Connect® ne sont utilisables qu'avec l'application Home Connect®. Vous pouvez consulter les informations sur la protection des données dans l'appli Home Connect®.

## 11 Compartiment réfrigération

Vous pouvez entreposer des produits laitiers, des œufs, des plats cuisinés, des pâtisseries, des conserves ouvertes et des fromages à pâte dure dans le compartiment fraîcheur.

La température est réglable de 33 °F (1 °C) à 43 °F (6 °C).

Le stockage au froid vous permet aussi de ranger des denrées facilement périssables à court et moyen terme. Plus la température choisie est basse, plus les aliments restent frais plus longtemps.

### 11.1 Conseils pour ranger des produits alimentaires dans le compartiment réfrigération

- Stockez uniquement des aliments frais et intacts.
- Conservez les aliments dans un récipient hermétique ou couvert.
- Pour ne pas entraver la circulation de l'air et éviter que les aliments ne gèlent, ne placez pas les aliments devant les orifices de ventilation internes ni en contact direct avec la paroi arrière.
- Laissez les boissons et aliments chauds refroidir avant de les ranger.
- Respectez la date de péremption ou la date limite d'utilisation indiquée par le fabricant.

## 11.2 Zones froides du réfrigérateur

Le système de refroidissement par recirculation d'air laisse circuler l'air de manière homogène dans le compartiment réfrigération et garantit une température constante au niveau de toutes les clayettes.

### Zone la plus froide

La zone la plus froide se trouve dans le bac tiroir.

**Conseil :** Conservez dans le compartiment froid les aliments périssables, par ex. le poisson, la charcuterie et la viande.

→ "Compartiment froid", Page 50

## 12 Compartiment froid

Dans le compartiment froid, vous pouvez conserver les aliments frais jusqu'à trois fois plus longtemps que dans le compartiment réfrigération.

La température peut être réglée de 29°F (-2°C) à 40°F (4°C) grâce à des réglages de paliers prédéfinis.

La basse température et l'humidité optimale dans le bac de rangement à froid garantissent des conditions de stockage idéales pour les aliments facilement périssables.

### 12.1 Recommandations de stockage dans le compartiment froid

Réglage de stockage	Aliments
29°F ◊	Viandes, poissons et fruits de mer
32°F ◊	Fruits, denrées mélangées avec fruits et légumes, charcuteries, fromages et produits laitiers
32°F ◊◊	Légumes
34°F ◊	Boissons
40°F ◊	En-cas et divers

**Conseil :** Les fruits, les légumes, les boissons et les en-cas peuvent être congelés à une température inférieure à 32 °F (0 °C).

Utilisez le réglage de stockage 29°F ◊ uniquement pour la viande et le poisson.

## 13 Compartiment congélation

Dans le compartiment congélation, vous pouvez stocker des aliments congelés, congeler des aliments et confectionner des glaçons.

La température est réglable de 6 °F (-14 °C) à -7 °F (-22 °C).

La température de stockage à long terme des aliments doit se situer à 0 °F (-18 °C) ou encore plus bas. La congélation vous permet de stocker les aliments facilement périssables à long terme. Les basses températures ralentissent ou stoppent la l'altération des aliments.

### 13.1 Conseils pour ranger des aliments dans le compartiment congélation

- Conservez les aliments dans des emballages hermétiques.
- Veillez à ce que les aliments à congeler n'entrent pas en contact avec d'autres déjà congelés.
- Répartissez les aliments sur une grande surface dans le bac à produits congelés suspendu.

### 13.2 Conseils pour congeler des aliments frais

- Congelez uniquement des aliments frais et d'un aspect impeccable.
- Congelez les aliments en portions.
- Les plats cuisinés sont plus appropriés que les aliments crus comestibles.
- Lavez, hachez et blanchissez les légumes avant de les congeler.
- Avant la congélation, lavez les fruits, retirez les pépins et épluchez les fruits si nécessaire, ajoutez du sucre ou une solution d'acide ascorbique si nécessaire.
- Les produits de boulangerie, le poisson et les fruits de mer, la viande, le gibier et la volaille, les œufs sans coquille, le fromage, le beurre, le caillé, les plats préparés et les restes se prêtent à la congélation.
- La laitue, les radis, les œufs en coquille, les raisins, les pommes et poires crues, le yaourt, la crème aigre, la crème fraîche et la mayonnaise ne se prêtent pas à la congélation.

#### Emballer les surgelés

Un matériau d'emballage approprié et le bon type d'emballage sont essentiels pour maintenir la qualité du produit et éviter les brûlures de congélation.

1. Placez les aliments dans l'emballage.
2. Pressez pour chasser l'air.
3. Fermez hermétiquement l'emballage afin que les aliments ne perdent pas leur saveur ou ne se dessèchent pas.
4. Indiquez sur l'emballage le contenu et la date de congélation.

### 13.3 Méthodes de décongélation pour aliments congelés

#### MISE EN GARDE

Lors de la décongélation, les bactéries peuvent se multiplier et les aliments congelés peuvent s'abîmer.

- ▶ Ne remettez pas à congeler des produits alimentaires partiellement ou entièrement décongelés.
- ▶ Ne recongelez les aliments qu'après avoir les avoir fait cuire ou rôti.
- ▶ N'utilisez plus la durée de conservation dans son intégralité.

- Décongelez les aliments d'origine animale dans le compartiment réfrigération, par exemple le poisson, la viande, le fromage et le lait caillé.
- Décongelez le pain à température ambiante.
- Préparez les aliments au micro-ondes, au four ou sur la table de cuisson pour une consommation immédiate.

## 14 Système hydraulique

Votre appareil est doté de composants contenant de l'eau. Le système hydraulique fonctionne uniquement si un filtre à eau ou un capuchon bypass est installé.

Désactivez la production de glaçons avant de débrancher l'appareil du raccord d'eau potable. → *Page 53*

### 14.1 Filtre à eau

Le filtre à eau filtre les particules et le goût de chlore de l'eau.

Le filtre à eau réduit d'autres impuretés, par exemple les chloramines, le plomb et les produits pharmaceutiques.

**Remarque :** Le filtre à eau ne filtre pas les bactéries ou microbes.

Changez le filtre à eau :

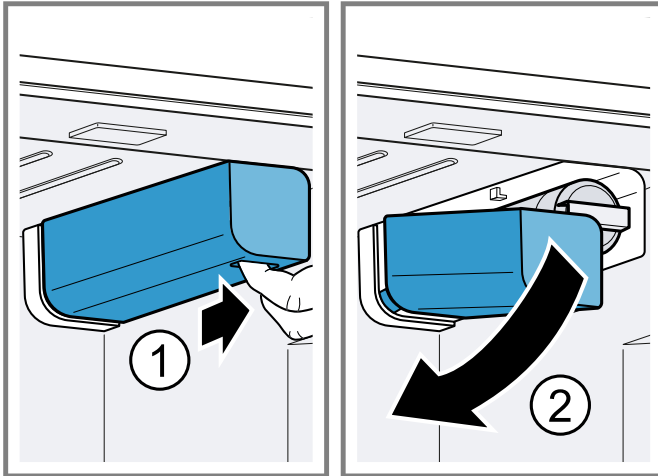
- tous les 6 mois.
- lorsque "change filter" s'allume.
- lorsque le débit d'eau est visiblement réduit.
- lorsque la production de glaçons est visiblement réduite.

#### Conseils

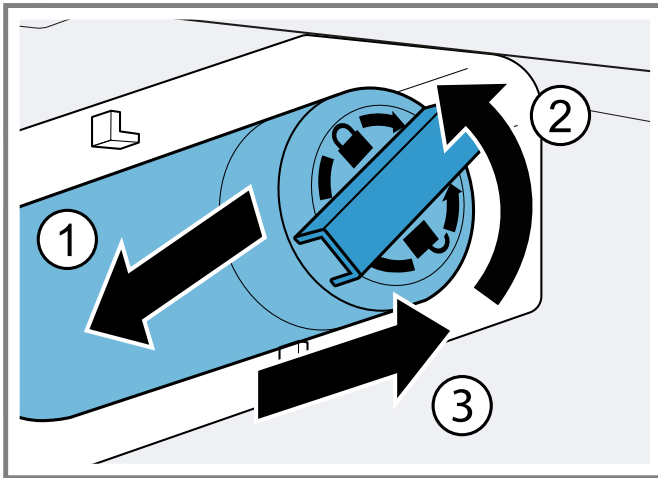
- Pour un filtre à eau neuf, adressez-vous à notre service après-vente, à votre revendeur ou consultez notre site Web.
- Si vous ne souhaitez pas utiliser de filtre à eau dans votre appareil ou faire installer un système de filtre à eau externe, vous pouvez remplacer le filtre à eau de façon permanente par un capuchon bypass. Le capuchon bypass filtre uniquement les particules grossières de l'eau et peut être nettoyé si nécessaire. Pour un capuchon bypass, adressez-vous à notre service après-vente ou consultez notre site Web.

## Changer le filtre à eau ou le remplacer par un capuchon bypass

1. Agrippez le couvercle du filtre par la rainure située en-dessous, tirez-le légèrement vers l'avant ① et rabattez-le vers la gauche ②.



2. Rabattez le filtre à eau vers le bas à gauche ①, tournez-le de 90° dans le sens inverse des aiguilles d'une montre ② et retirez-le ③.
  - Retirez le filtre à eau avec précaution car il peut se trouver sous pression.



**Remarque :** Une partie de l'eau s'égoutte du filtre à eau lorsque vous le retirez. Essuyez l'eau qui s'égoutte avec un essuie-tout sec.

**Conseil :** Vous pouvez jeter le filtre à eau usé avec les ordures ménagères.

3. Poussez le nouveau filtre à eau ou capuchon bypass jusqu'en butée dans l'ouverture du filtre, puis faites-le pivoter à 90° dans le sens des aiguilles d'une montre et rabattez-le vers le haut et la droite.
4. Rabattez le couvercle du filtre vers le haut à droite et repoussez-le jusqu'en butée.
5. Jetez tous les glaçons produits au cours des premières 24 heures, prélevez de l'eau pendant 5 minutes et jetez-la.

## 14.2 Notification du changement de filtre

La notification de changement de filtre s'active tous les 6 mois.

"change filter" s'allume.

**Remarque :** En cas d'augmentation de la consommation d'eau, la notification de changement de filtre s'enclenche plus tôt.

### Désactiver la notification de changement de filtre

1. Remplacez le filtre à eau.
  - Le capuchon bypass ne doit pas être changé.
2. "change filter" Maintenir enfoncé pendant 3 secondes.
  - ✓ "change filter" s'éteint.
  - ✓ Le statut de changement du filtre est réinitialisé.

## 14.3 Statut de changement de filtre

Si vous remplacez le filtre avant la notification de changement de filtre, réinitialisez le statut de changement de filtre.

1	Mesure du statut de changement de filtre en cours
0	Réinitialiser le statut de changement de filtre

### Réinitialiser le statut de changement de filtre

1. Appuyez sur **menu**.
2. Appuyer sur **change filter**.
  - ✓ L'affichage des réglages du sous-menu indique "1".
3. Appuyer sur (réglage du sous-menu).
  - ✓ L'affichage des réglages du sous-menu indique "0".
4. Appuyez sur **menu**.

## 14.4 Distributeur d'eau

Prélevez de l'eau froide du distributeur d'eau.

### Mettre en service le distributeur d'eau

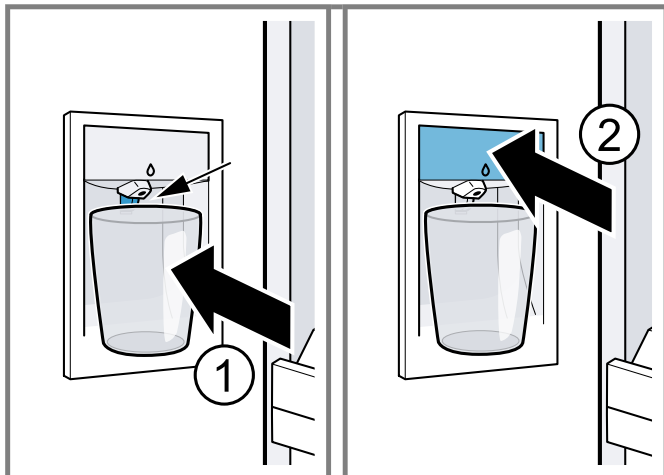
**Remarque :** Le système hydraulique d'un appareil nouvellement branché, ou pourvu d'un filtre à eau neuf, contient de l'air.

**Exigence :** L'appareil est raccordé à l'eau potable.

1. Faites couler l'eau jusqu'à ce qu'elle ne contienne plus de bulles d'air.
  - Essuyez les éclaboussures d'eau avec un essuie-tout sec.
2. Pour des raisons d'hygiène, prélevez et jetez l'eau produite pendant 5 minutes.

## Prélever de l'eau

- ▶ Appuyez le verre contre le bouton de retrait ① ou placez le verre sous le distributeur d'eau et appuyez sur ②.



### Remarques

- Après un certain temps de prélèvement continu, le distributeur d'eau s'arrête. Patientez quelques secondes avant de prélever à nouveau de l'eau.
- Après quelques cycles de prélèvement consécutifs, le distributeur d'eau s'arrête. Patientez quelques minutes avant de prélever à nouveau de l'eau.

## 14.5 Distributeur de glaçons

Utilisez le distributeur de glaçons pour produire des glaçons.

### ⚠ AVERTISSEMENT

Les pièces rotatives peuvent provoquer des blessures.

- ▶ Ne passez jamais la main sous ou dans le distributeur de glaçons.

**Remarque :** Le distributeur de glaçons détecte automatiquement que la réserve à glaçons est pleine et arrête la production de glaçons.

Le remplissage de la réserve à glaçons peut prendre jusqu'à 48 heures.

### Conseils

- Vous pouvez accélérer la production de glaçons en réglant une température du congélateur plus froide ou en activant Super-congélation. Cela fera augmenter légèrement la consommation d'énergie.
- Si les glaçons ont un goût désagréable, jetez les glaçons restants et la production de glaçons des 24 heures suivantes. Si les glaçons continuent à avoir mauvais goût par la suite, changez le filtre à eau.

## Mettre en service le distributeur de glaçons

### Remarques

- La production de glaçons démarre dès que l'appareil est allumé et que le compartiment congélation a atteint la température réglée.

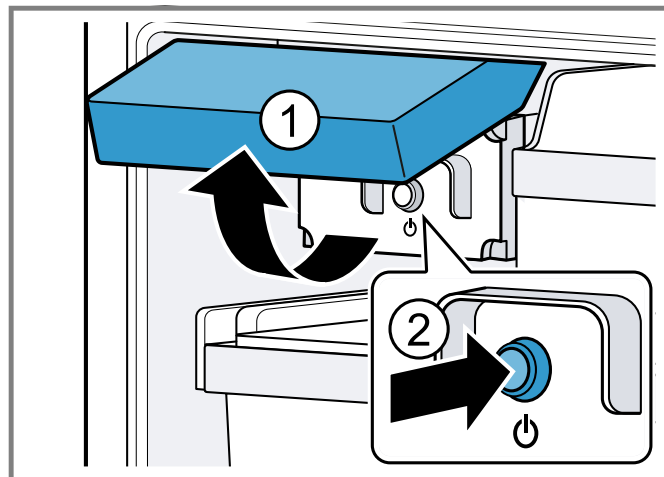
- Les premiers glaçons sont prêts environ 4 heures après que le compartiment congélation ait atteint la température réglée.

**Exigence :** L'appareil est raccordé à l'eau potable.

- ▶ Pour des raisons d'hygiène, jetez tous les glaçons produits pendant les 24 premières heures.

### Lancer la production de glaçons

- ▶ Rabattez le couvercle du distributeur de glaçons vers le haut ① et appuyez sur le bouton du distributeur de glaçons ②.

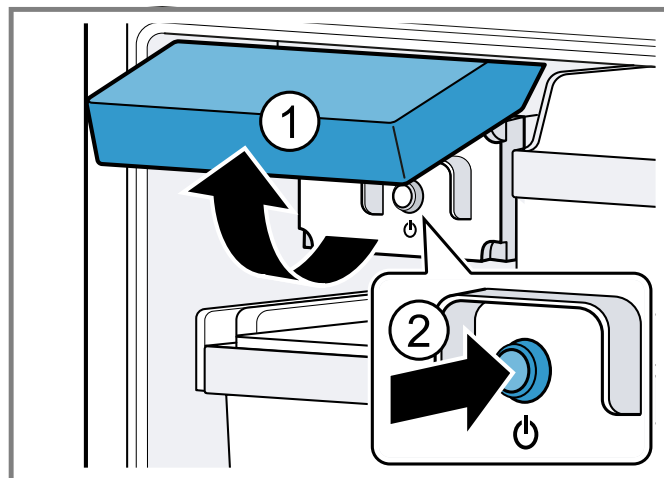


- ✓ La touche du distributeur de glaçons s'allume.

**Remarque :** En appuyant sur le bouton du distributeur de glaçons pendant 3 secondes, vous réinitialisez l'état de changement du filtre.

### Arrêter la production de glaçons

- ▶ Rabattez le couvercle du distributeur de glaçons vers le haut ① et appuyez sur le bouton du distributeur de glaçons ②.



- ✓ La touche du distributeur de glaçons s'éteint.

**Remarque :** En appuyant sur le bouton du distributeur de glaçons pendant 3 secondes, vous réinitialisez l'état de changement du filtre.

## 15 Dégivrer

### 15.1 Dégivrer le compartiment réfrigération

Le compartiment réfrigération de votre appareil se dégèle automatiquement.

### 15.2 Dégivrage dans le compartiment froid

Le compartiment froid de votre appareil se dégivre automatiquement.

### 15.3 Dégivrer le compartiment congélation

Grâce au système « NoFrost » entièrement automatique, le compartiment congélation ne se couvre pas de givre. Aucun dégivrage n'est nécessaire. Aucun dégivrage n'est nécessaire.

## 16 Nettoyage et entretien

**Remarque :** La déclaration de garantie limitée du produit couvre les défauts de matériaux et de fabrication. Le nettoyage et l'entretien ne sont pas couverts par la garantie et sont payants. Pour plus de détails, voir la déclaration de garantie limitée du produit.

### 16.1 Préparer l'appareil pour le nettoyage

1. Éteindre l'appareil. → *Page 45*
2. Débranchez l'appareil du réseau électrique.  
Retirez la fiche du cordon d'alimentation secteur ou désactivez le fusible dans la boîte à fusibles.
3. Retirez tous les aliments de l'appareil et rangez-les dans un endroit frais.  
Si possible, placez des accumulateurs de froid sur les aliments.
4. Retirez toutes les pièces d'équipement et les accessoires de l'appareil. → *Page 54*
5. Déposez les rails de sortie. → *Page 57*
6. Retirez la plaque en verre du compartiment réfrigération. → *Page 58*
7. Démontez le couvercle du bac de rangement à froid.  
→ *Page 58*

### 16.2 Nettoyer l'appareil

#### ⚠ AVERTISSEMENT

L'humidité qui pénètre peut occasionner une électrocution.

- ▶ N'utilisez pas de nettoyeur haute pression ou de nettoyeur à vapeur pour nettoyer l'appareil.

#### AVIS :

Les produits de nettoyage inappropriés risquent d'endommager la surface de l'appareil.

- ▶ N'utilisez pas de tampon abrasif ni d'éponge en laine d'acier.

- ▶ N'utilisez pas de produits de nettoyage agressifs ou récurants.
- ▶ N'utilisez pas de produits de nettoyage fortement alcoolisés,
- ▶ N'utilisez pas de nettoyant pour acier inox sur le côté extérieur de l'appareil.

Si vous nettoyez les pièces d'équipement et les accessoires au lave-vaisselle, ceux-ci risquent de se déformer ou de déteindre.

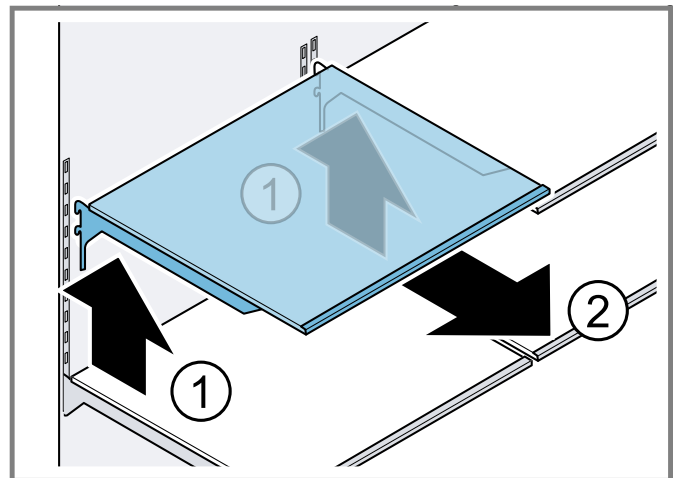
- ▶ Ne nettoyez jamais les équipements et accessoires au lave-vaisselle.
1. Préparez l'appareil pour le nettoyage. → *Page 54*
  2. Nettoyez l'extérieur et l'intérieur de l'appareil, les pièces d'équipement, les accessoires, les parties de l'appareil et les joints de porte avec une lavette, de l'eau tiède et du produit à vaisselle présentant un pH neutre.
  3. Séchez ensuite minutieusement avec un chiffon doux et sec.
  4. Insérez les pièces d'équipement et montez les parties amovibles de l'appareil.
  5. Raccordez l'appareil électriquement. → *Page 39*
  6. Mettez l'appareil sous tension. → *Page 45*
  7. Rangez les aliments.

### 16.3 Retirer les pièces d'équipement

Si vous souhaitez nettoyer soigneusement les pièces d'équipement, retirez celles-ci de votre appareil.

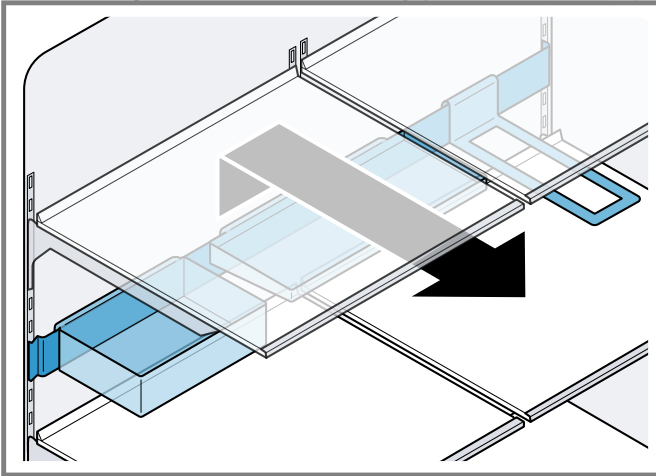
#### Retirer la clayette

- ▶ Soulevez la clayette ① et retirez-la ②.



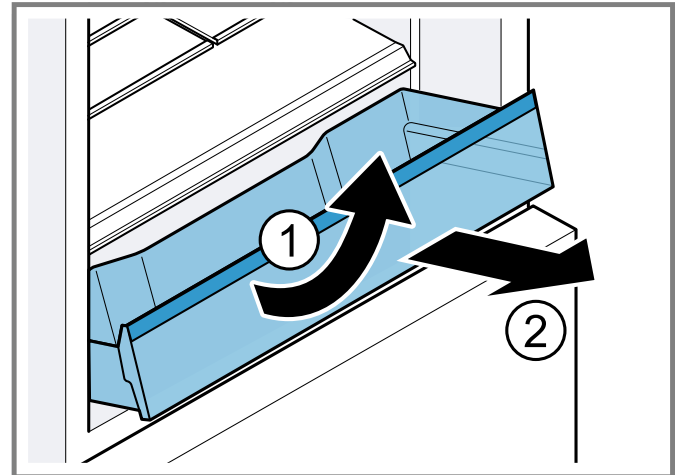
### Retirer le rail d'équipement

- ▶ Soulevez le rail d'équipement et retirez-le.



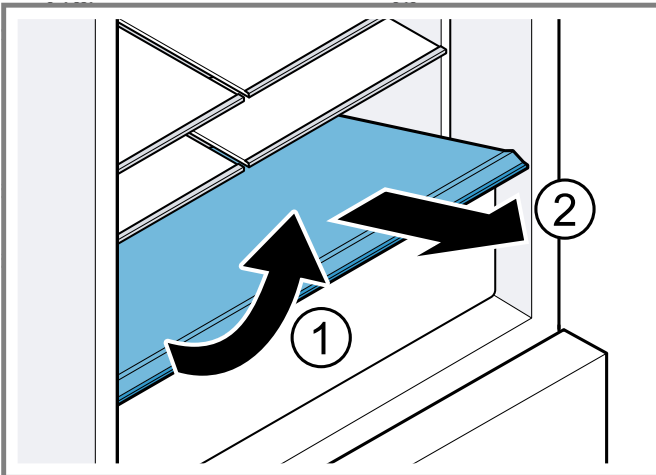
### Retirer le bac tiroir

1. Extrayez le bac tiroir jusqu'en butée.
2. Soulevez le bac tiroir vers l'avant ① et retirez-le ②.



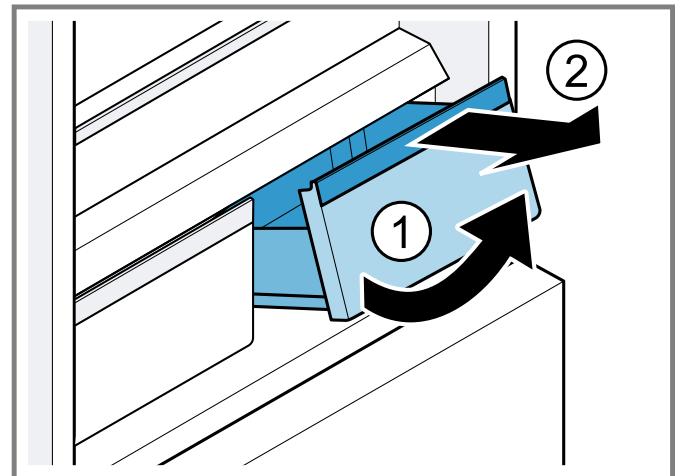
### Retirer la clayette fixée

1. Extrayez le bac tiroir.
2. Soulevez la clayette fixé à l'avant ① et retirez-la ②.



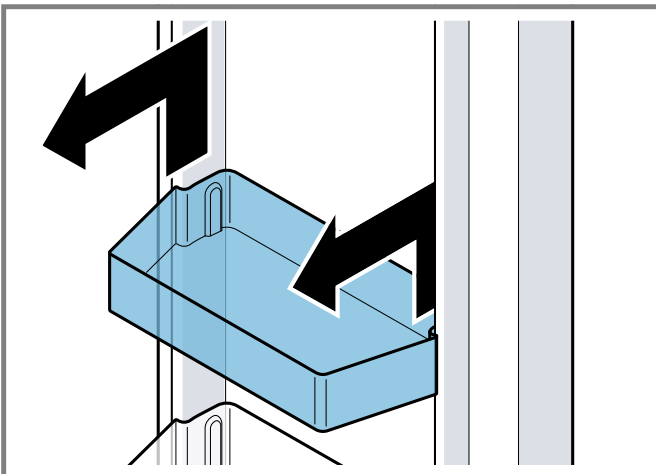
### Retirer le bac de rangement à froid

1. Tirez le bac de rangement à froid jusqu'en butée.
2. Soulevez le bac de rangement à froid à l'avant ① et retirez-le ②.



### Retirer le compartiment de contre-porte

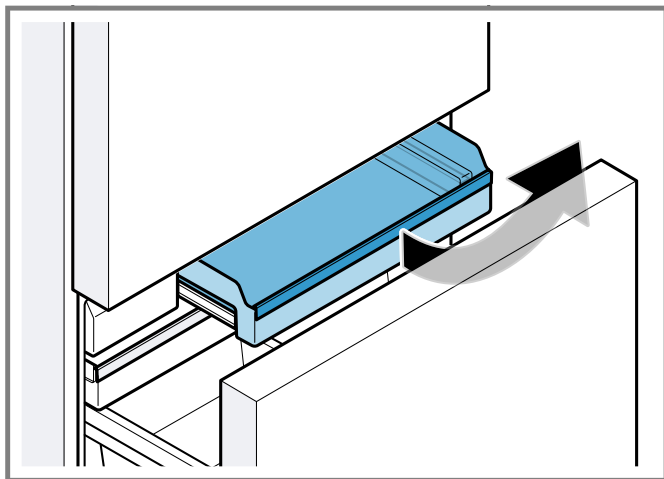
- ▶ Soulevez le compartiment dans la contre-porte vers le haut et retirez-le.



### Retirer le bac tiroir à aliments congelés

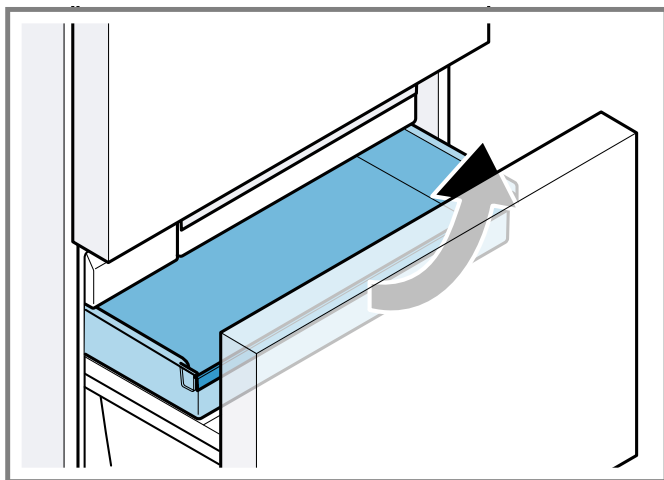
1. Tirez le récipient coulissant pour aliments surgelés jusqu'à ce qu'il s'arrête.

2. Soulevez le bac tiroir à aliments congelés vers l'avant et retirez-le.



### Retirer le bac à produits congelés plat

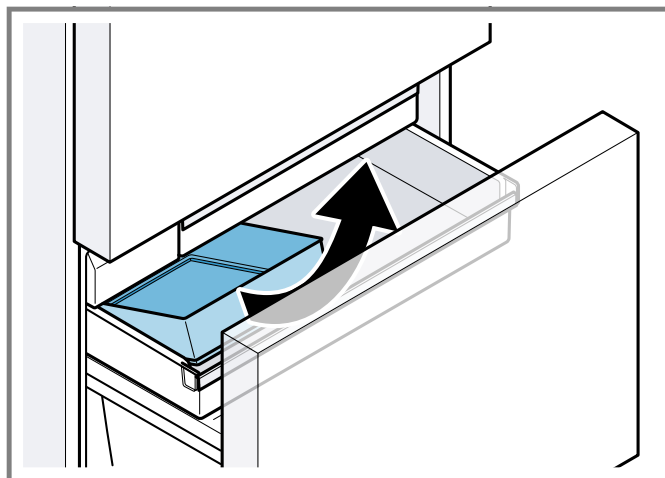
1. Tirez le récipient plat pour aliments congelés aussi loin que possible.
2. Soulevez le bac à aliments congelés plat vers l'avant et retirez-le.



### Retirer la réserve à glaçons

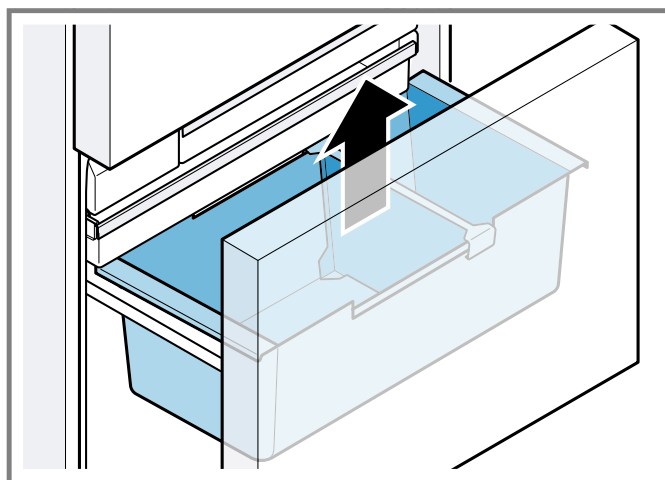
1. Tirez le récipient plat pour aliments congelés aussi loin que possible.

2. Soulevez la réserve à glaçons vers l'avant et retirez-la.



### Retirer le bac à produits congelés suspendu

- Retirez le bac à produits congelés suspendu par le haut.



## 16.4 Démontez les pièces de l'appareil

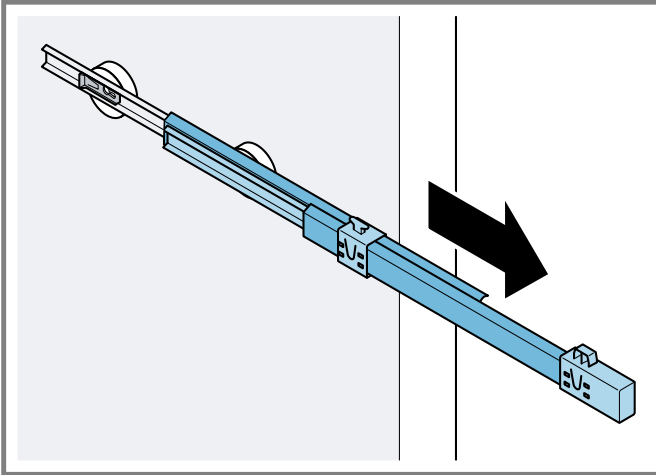
Si vous souhaitez effectuer un nettoyage complet de votre appareil, vous pouvez retirer certaines pièces de votre appareil.

### Rails de sortie

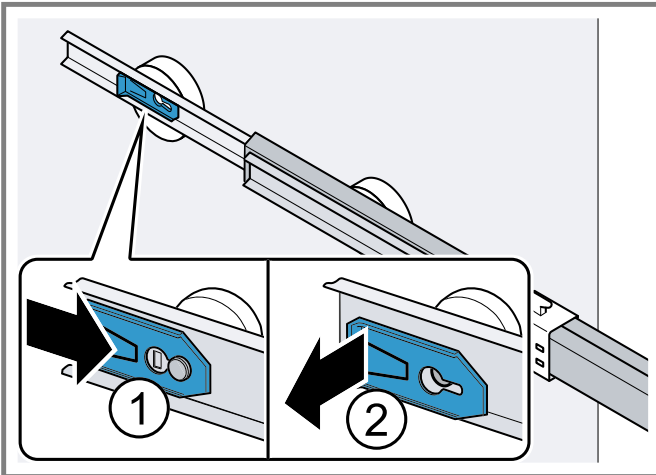
Pour nettoyer à fond les rails de sortie, vous pouvez les retirer.

**Démonter les rails de sortie**

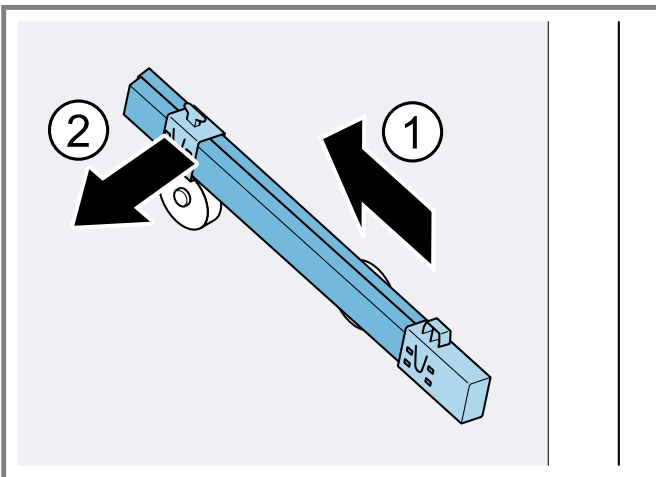
1. Extrayez les rails de sortie.



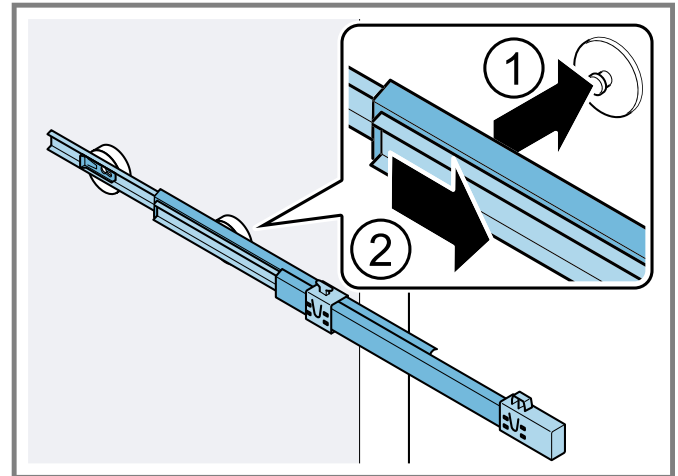
2. Poussez le dispositif de verrouillage dans le sens de la flèche ① et relâchez-le par le boulon arrière ②.



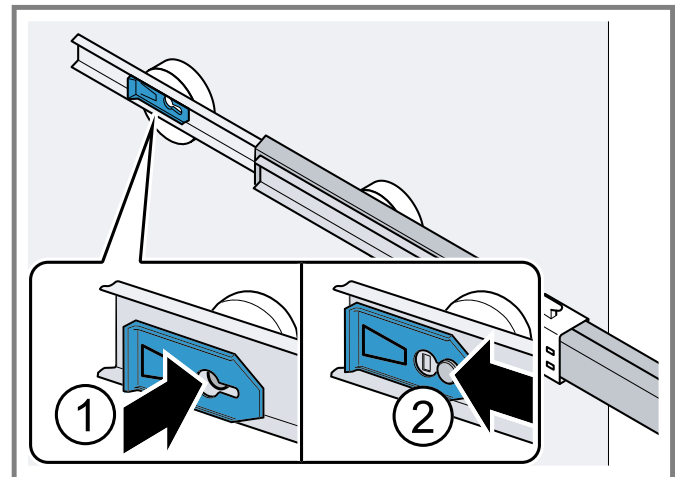
3. Poussez les rails de sortie.
4. Poussez les rails de sortie en arrière au dessus du boulon arrière ① puis décrantez-les ②.

**Monter les rails de sortie**

1. Posez le rail de sortie déployé sur le boulon avant ① et tirez-le légèrement vers l'avant ②.



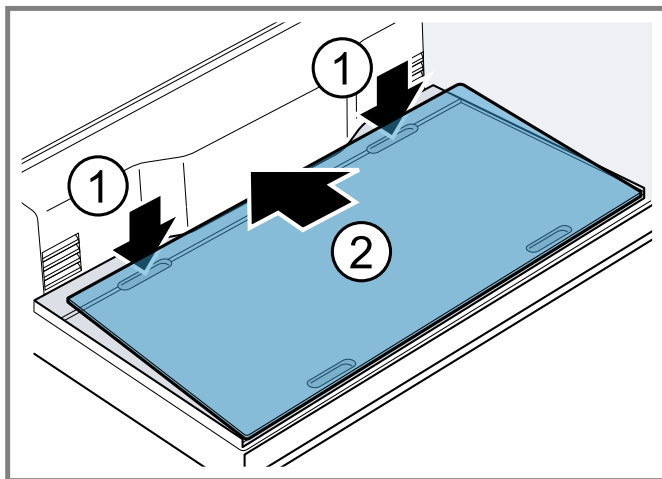
2. Insérez le rail de sortie au niveau du boulon arrière ① et faites glisser le dispositif de verrouillage vers l'arrière ②.

**Plaque en verre du compartiment réfrigération**

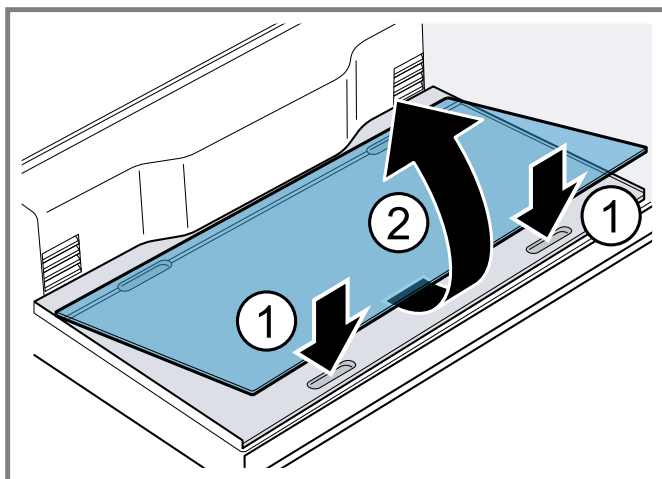
Pour bien nettoyer la plaque en verre du compartiment réfrigération, vous pouvez la retirer.

### Démonter la plaque en verre du compartiment réfrigération

1. Saisissez les deux évidements à l'arrière du fond du compartiment réfrigération et soulevez la plaque en verre du compartiment réfrigération ①. Poussez la plaque en verre du compartiment réfrigération vers l'arrière ②.

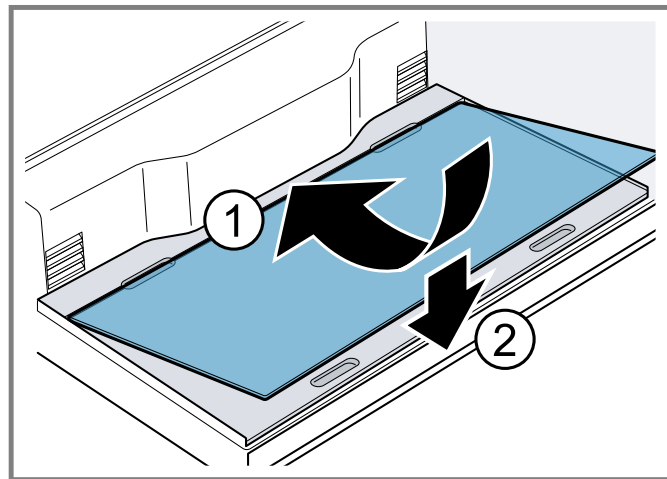


2. Saisissez les deux évidements à l'avant du fond du compartiment réfrigération ①, soulevez la plaque en verre du compartiment réfrigération et retirez-la ②.



### Monter la plaque en verre du compartiment réfrigération

- Placez la plaque en verre du compartiment réfrigération à l'arrière sur la tablette du compartiment réfrigération ① et abaissez-la ②.

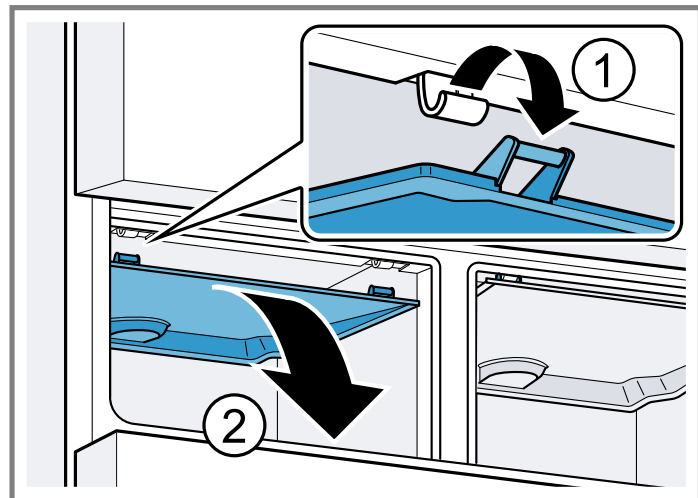


### Couvercle de bac de rangement à froid

Pour bien nettoyer le couvercle de bac de rangement à froid, vous pouvez retirer ce dernier.

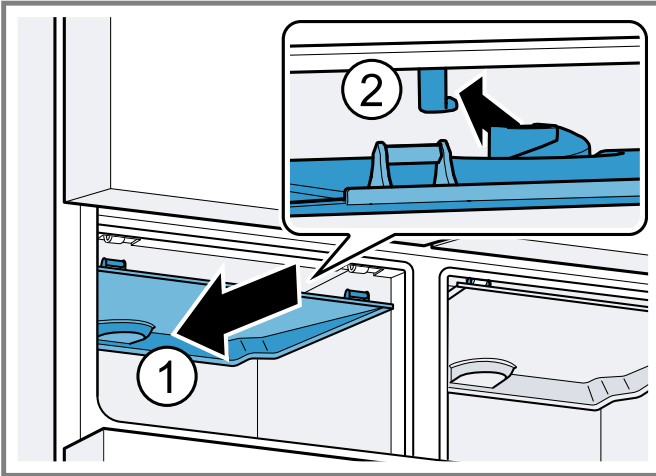
#### Démonter le couvercle du bac de rangement à froid

1. Retirez le bac de rangement à froid.
2. Déverrouillez le couvercle du bac de rangement à froid ① et enlevez-le ②.

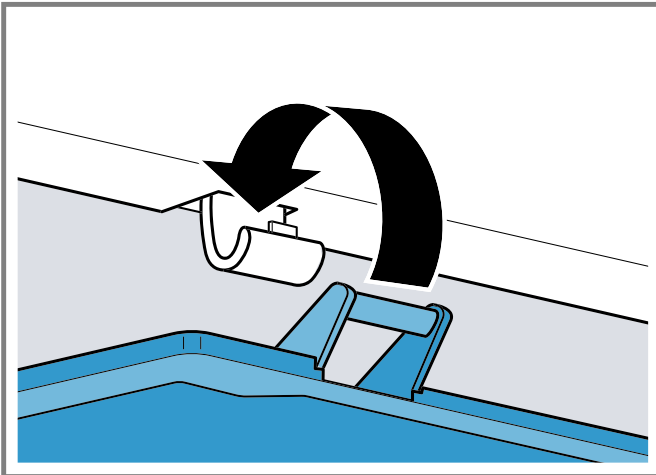


**Monter le couvercle du bac de rangement à froid**

1. Poussez le couvercle du bac de rangement à froid symétriquement vers l'arrière ① et accrochez-le ②.



2. Encliquez le couvercle du bac de rangement à froid.



3. Insérez le bac de rangement à froid.

## 17 Dépannage

Vous pouvez éliminer vous-même les défauts mineurs de votre appareil. Veuillez lire les informations de dépannage avant de contacter le service à la clientèle. Cela peut éviter des frais de réparation inutiles.

### AVERTISSEMENT

Pour éviter tout risque de blessure dû à des réparations incorrectes, respectez les points suivants.

- ▶ Seuls des techniciens qualifiés ou des prestataires de services agréés peuvent effectuer des réparations.

- ▶ Seules des pièces de rechange d'origine peuvent être utilisées pour réparer l'appareil.
- ▶ Si le cordon d'alimentation secteur ou le cordon d'alimentation de l'appareil est endommagé, ils doivent être remplacés par des cordons spécifiques disponibles auprès du fabricant ou de son service après-vente.

Défaut	Cause et dépannage
L'appareil ne réfrigère pas, les affichages et l'éclairage sont allumés.	<p>L'appareil se trouve sur le mode Exposition.</p> <ol style="list-style-type: none"> <li>1. Appuyez sur <b>alarm off</b> pendant 15 secondes jusqu'à ce que trois signaux sonores retentissent. <ul style="list-style-type: none"> <li>✓ L'éclairage des bandeaux de commande et l'éclairage intérieur s'allument brièvement.</li> <li>✓ "alarm off" clignote et une alarme sonore retentit.</li> </ul> </li> <li>2. Appuyez sur <b>alarm off</b>.</li> <li>3. Vérifiez après un court laps de temps si l'appareil réfrigère.</li> </ol>
L'éclairage par LED ne fonctionne pas.	<p>Ce problème peut avoir de nombreuses causes.</p> <ul style="list-style-type: none"> <li>▶ Appelez le service après-vente. → "Service à la clientèle", Page 64</li> </ul>
Le groupe frigorifique s'enclenche plus souvent et plus longtemps.	<p>L'appareil a été ouvert fréquemment.</p> <ul style="list-style-type: none"> <li>▶ N'ouvrez pas la porte de l'appareil inutilement.</li> </ul> <p>Les orifices de ventilation extérieurs sont recouverts.</p> <ul style="list-style-type: none"> <li>▶ Retirez les obstacles situés devant les orifices de ventilation extérieurs.</li> </ul> <p>Il ne s'agit pas d'un défaut. Les appareils frigorifiques modernes se mettent en marche plus souvent et ont différents niveaux de puissance afin de refroidir plus efficacement.</p> <ul style="list-style-type: none"> <li>▶ Retirez les obstacles situés devant les orifices de ventilation extérieurs.</li> <li>▶ Installez l'appareil aussi loin que possible des radiateurs, des cuisinières et des autres sources de chaleur. Évitez toute exposition prolongée de l'appareil aux rayons directs du soleil.</li> <li>▶ N'ouvrez la porte de l'appareil que le temps nécessaire.</li> <li>▶ Laissez d'abord les boissons et aliments chauds refroidir avant de les ranger.</li> </ul>
Une couche de givre se forme sur la paroi arrière du compartiment réfrigération.	<p>Il ne s'agit pas d'un défaut. Les appareils frigorifiques modernes assurent une température uniforme dans le compartiment réfrigération. La paroi arrière du compartiment réfrigération est régulièrement décongelée automatiquement.</p> <ul style="list-style-type: none"> <li>▶ N'ouvrez la porte de l'appareil que le temps nécessaire.</li> <li>▶ Emballez les aliments hermétiquement ou couvrez-les.</li> <li>▶ Laissez d'abord les boissons et aliments chauds refroidir avant de les ranger.</li> <li>▶ Laissez toujours un peu d'espace entre les aliments et les parois intérieures.</li> </ul>
Home Connect® ne fonctionne pas correctement.	<p>Ce problème peut avoir de nombreuses causes.</p> <ul style="list-style-type: none"> <li>▶ Rendez-vous sur <a href="http://www.home-connect.com">www.home-connect.com</a>.</li> </ul>

Défaut	Cause et dépannage
Un "E" ou un "d" apparaît dans l'affichage de la température.	<p>L'électronique a détecté un défaut.</p> <ol style="list-style-type: none"> <li>1. Éteignez l'appareil. → <i>Page 45</i></li> <li>2. Débranchez l'appareil du secteur. Retirez la fiche du cordon d'alimentation secteur ou désactivez le fusible dans le boîtier à fusibles.</li> <li>3. Raccordez à nouveau l'appareil après 5 minutes.</li> <li>4. Mettez l'appareil sous tension. → <i>Page 45</i></li> <li>5. Si ce message persiste, contactez le service après-vente. → <i>"Service à la clientèle", Page 64</i></li> </ol>
"alarm off" clignote et une alarme sonore retentit. L'alarme de porte est activée.	<p>La porte de l'appareil est ouverte.</p> <ul style="list-style-type: none"> <li>▶ Fermez la porte de l'appareil.</li> </ul>
Une alarme sonore retentit, l'affichage de la température (congélateur) et "alarm off" clignotent. L'alarme de température est activée.	<p>Ce problème peut avoir de nombreuses causes.</p> <ol style="list-style-type: none"> <li>1. Appuyez sur <b>alarm off</b>. ✓ L'alarme s'éteint.</li> <li>2. Vérifiez après quelques heures si la température réglée dans le compartiment congélation a de nouveau été atteinte.</li> </ol> <hr/> <p>Les orifices de ventilation extérieurs sont recouverts.</p> <ul style="list-style-type: none"> <li>▶ Retirez les obstacles situés devant les orifices de ventilation extérieurs.</li> </ul> <hr/> <p>L'appareil est rempli de grandes quantités de produits alimentaires frais.</p> <ul style="list-style-type: none"> <li>▶ Éteignez Super-congélation avant d'entreposer une plus grande quantité d'aliments. → <i>"Allumez la Super-congélation", Page 46</i></li> </ul>
La température dévie fortement par rapport au réglage.	<p>Ce problème peut avoir de nombreuses causes.</p> <ol style="list-style-type: none"> <li>1. Éteignez l'appareil. → <i>Page 45</i></li> <li>2. Allumez à nouveau l'appareil après env. 5 minutes. → <i>Page 45</i> <ul style="list-style-type: none"> <li>– Si la température est trop élevée, vérifiez-la à nouveau au bout de quelques heures.</li> <li>– Si la température est trop basse, vérifiez-la à nouveau le jour suivant.</li> </ul> </li> </ol>
De l'eau fuit de l'appareil.	<p>Le raccord d'eau ou le tuyau d'eau n'est pas étanche.</p> <ul style="list-style-type: none"> <li>▶ Assurez-vous que les raccordements d'eau sont bien serrés et que le tuyau d'eau n'est pas endommagé. Si nécessaire, remplacez le tuyau d'eau.</li> </ul>
La distribution d'eau est réduite.	<p>La pression de l'eau est basse.</p> <ul style="list-style-type: none"> <li>▶ Vérifiez la pression d'eau au niveau de l'alimentation en eau ou du système de filtre à eau externe, par exemple, l'installation d'osmose inverse. Raccordez l'appareil uniquement à un raccordement d'eau ayant une pression suffisante. → <i>Page 38</i></li> </ul> <hr/> <p>Le filtre à eau est bouché.</p> <ul style="list-style-type: none"> <li>▶ Changez le filtre à eau. → <i>Page 52</i></li> </ul>
De l'eau s'égoutte du distributeur d'eau.	<p>Le système hydraulique contient de l'air.</p> <ul style="list-style-type: none"> <li>▶ Retirez de l'eau jusqu'à ce qu'il n'y ait plus d'air.</li> </ul>
Le distributeur d'eau ne fonctionne pas.	<p>Aucune alimentation en eau.</p> <ul style="list-style-type: none"> <li>▶ Assurez-vous qu'il y a une alimentation en eau et que la vanne d'arrêt sur le raccordement d'eau est ouverte. Contactez un installateur si nécessaire.</li> </ul> <hr/> <p>Le tube d'entrée est plié.</p> <ul style="list-style-type: none"> <li>▶ Fermez l'alimentation en eau et redressez le coude du tuyau d'eau. Si nécessaire, remplacez le tuyau d'eau.</li> </ul>

Défaut	Cause et dépannage
Les glaçons sont produits en quantité insuffisante.	<p>L'appareil a été raccordé.</p> <ul style="list-style-type: none"> <li>▶ Patientez environ 4 heures jusqu'à ce que la première production de glaçons soit prête.</li> </ul> <hr/> <p>Le compartiment congélation a été ouvert fréquemment ou pendant une longue période.</p> <ul style="list-style-type: none"> <li>▶ Vérifiez au bout de quelques heures la production de glaçons.</li> </ul> <hr/> <p>La pression de l'eau est basse.</p> <ul style="list-style-type: none"> <li>▶ Vérifiez la pression d'eau au niveau de l'alimentation en eau ou du système de filtre à eau externe, par exemple, l'installation d'osmose inverse.</li> </ul> <p>Raccordez l'appareil uniquement à un raccordement d'eau ayant une pression suffisante. → <i>Page 38</i></p>
	<p>Le filtre à eau est bouché.</p> <ul style="list-style-type: none"> <li>▶ Changez le filtre à eau. → <i>Page 52</i></li> </ul>
	<p>Des aliments ou des objets bloquent le capteur de niveau du distributeur de glaçons.</p> <ul style="list-style-type: none"> <li>▶ Enlevez tous les objets ou aliments du bac à glaçons.</li> </ul>
	<p>Dysfonctionnement du distributeur de glaçons.</p> <ol style="list-style-type: none"> <li>1. Éteignez l'appareil. → <i>Page 45</i></li> <li>2. Débranchez l'appareil du secteur. Retirez la fiche du cordon d'alimentation secteur ou désactivez le fusible dans le boîtier à fusibles.</li> <li>3. Raccordez à nouveau l'appareil après 5 minutes.</li> <li>4. Mettez l'appareil sous tension. → <i>Page 45</i></li> <li>5. Si le dysfonctionnement persiste, appelez le Service après-vente. → <i>Page 64</i></li> </ol>
Le distributeur de glaçons ne fonctionne pas.	<p>La production de glaçons est désactivée.</p> <ul style="list-style-type: none"> <li>▶ Lancez la production de glaçons. → <i>Page 53</i></li> </ul> <hr/> <p>Aucune alimentation en eau.</p> <ul style="list-style-type: none"> <li>▶ Assurez-vous qu'il y a une alimentation en eau et que la vanne d'arrêt sur le raccordement d'eau est ouverte.</li> </ul> <p>Contactez un installateur si nécessaire.</p> <hr/> <p>Le tube d'entrée est plié.</p> <ul style="list-style-type: none"> <li>▶ Fermez l'alimentation en eau et redressez le coude du tuyau d'eau.</li> </ul> <p>Si nécessaire, remplacez le tuyau d'eau.</p>
	<p>Dysfonctionnement du distributeur de glaçons.</p> <ol style="list-style-type: none"> <li>1. Éteignez l'appareil. → <i>Page 45</i></li> <li>2. Débranchez l'appareil du secteur. Retirez la fiche du cordon d'alimentation secteur ou désactivez le fusible dans le boîtier à fusibles.</li> <li>3. Raccordez à nouveau l'appareil après 5 minutes.</li> <li>4. Mettez l'appareil sous tension. → <i>Page 45</i></li> <li>5. Si le dysfonctionnement persiste, appelez le Service après-vente. → <i>Page 64</i></li> </ol>
L'appareil vrombit, fait des bulles, des bourdonnements, des cliquetis, des claquements ou des grondements.	<p>Il ne s'agit pas d'un défaut. Un moteur tourne, par ex. groupe frigorifique, ventilateur. Du fluide frigorigène circule dans les tuyaux. Le moteur, les interrupteurs, les électrovannes et les vannes à eau s'allument ou s'éteignent. Le dégivrage automatique est en cours. Les glaçons tombent dans le bac à glaçons. Aucune action nécessaire.</p>
L'appareil émet des bruits.	<p>L'appareil ne repose pas d'aplomb.</p> <ul style="list-style-type: none"> <li>▶ Nivelez l'appareil à l'aide d'un niveau à bulle et des pieds à vis.</li> </ul> <hr/> <p>L'appareil n'est pas posé de manière indépendante.</p>

Défaut	Cause et dépannage
L'appareil émet des bruits.	▸ Respectez les distances minimales de l'appareil.
	Les pièces d'équipement vacillent ou se coincent. ▸ Vérifiez les pièces d'équipement amovibles et remettez-les éventuellement en place correctement.
	Des bouteilles ou récipients se touchent. ▸ Écartez les récipients ou bouteilles les uns des autres.
	La fonction Super-congélation est activée. Aucune action nécessaire.

## 17.1 Panne de courant

En cas de panne de courant, la température à l'intérieur de l'appareil augmente, ce qui raccourcit la durée de conservation et réduit la qualité des aliments congelés.

### Remarques

- ▀ Ouvrez l'appareil le moins possible en cas de panne de courant et ne stockez pas d'autres aliments.

- ▀ Vérifiez la qualité des aliments immédiatement après la panne de courant.
  - Jetez les aliments congelés qui sont décongelés et dont la température est supérieure à 41 °F (5 °C).
  - Faites bouillir ou frire des aliments congelés légèrement décongelés et consommez-les ou recongelez-les.

## 17.2 Effectuer l'auto-test de l'appareil

Votre appareil dispose d'un autotest qui indique les dysfonctionnements auxquels votre service après-vente peut remédier.

1. Éteindre l'appareil. → *Page 45*
2. Débranchez l'appareil du réseau électrique.  
Retirez la fiche du cordon d'alimentation secteur ou désactivez le fusible dans la boîte à fusibles.
3. Raccordez l'appareil à l'alimentation électrique après 5 minutes. → *Page 39*
4. Mettez l'appareil sous tension. → *Page 45*
5. Dans les 2 minutes qui suivent la mise sous tension, maintenez **menu** enfoncé pendant 10 secondes jusqu'à ce qu'un signal sonore retentisse.
  - ✓ L'auto-test de l'appareil démarre.
  - ✓ Au cours de l'auto-test, un signal sonore long retentit par intermittence.
  - ✓ Si, à la fin de l'auto-test, 2 signaux sonores retentissent et que l'affichage de la température indique la température réglée, cela signifie que les capteurs de température de votre appareil fonctionnent correctement. L'appareil revient en fonctionnement normal.
  - ✓ Si vous entendez 5 signaux sonores à la fin de l'autotest de l'appareil et que l'affichage des réglages du sous-menu indique "Er", contactez le service après-vente.

- Retirez la fiche du cordon d'alimentation secteur ou désactivez le fusible dans la boîte à fusibles.
3. Débranchez l'appareil du raccordement à l'eau potable.
4. Retirez tous les aliments.
5. Démontez le filtre à eau. → *Page 52*
6. Nettoyez l'appareil. → *Page 54*
7. **AVIS** : Des objets coincés entre la porte et la boîte à risque d'endommager la charnière de porte.
  - Ouvrez la porte jusqu'à ce qu'elle reste ouverte d'elle-même.
  - Ne coinciez aucun objet entre la porte et la boîte.
 Afin de garantir la ventilation de l'espace intérieur, laissez l'appareil ouvert.

## 18.2 Éliminer un appareil usagé

L'élimination dans le respect de l'environnement permet de récupérer de précieuses matières premières.

### AVERTISSEMENT

Les enfants risquent de s'enfermer dans l'appareil et de mettre leur vie en danger.

- Retirez les portes et le tiroir de l'appareil.
- Pour compliquer la pénétration des enfants dans l'appareil, ne retirez pas les clayettes et les bacs.
- Éloignez les enfants de l'appareil qui a cessé de servir.

### AVERTISSEMENT

En cas d'endommagement des tuyaux, du fluide frigorigène inflammable et des gaz nocifs peuvent s'échapper et s'enflammer.

- Veillez à ne pas endommager les tubulures du circuit frigorifique, ni l'isolant.

1. Débranchez la fiche du secteur.
2. Coupez le câble de raccordement secteur.

## 18 Entreposage et mise au rebut

### 18.1 Mettre l'appareil hors service

1. Éteindre l'appareil. → *Page 45*
2. Débranchez l'appareil du réseau électrique.

- Retirez les portes et le tiroir de l'appareil.
- Éliminez l'appareil dans le respect de l'environnement.  
Pour connaître les circuits d'élimination actuels, veuillez vous adresser à votre revendeur ou à votre administration municipale.

## 19 Service à la clientèle

Lors de toute réparation réalisée dans le cadre de la garantie, nous nous assurons que votre appareil est réparé avec des pièces de rechange d'origine par un technicien dûment formé et agréé. Nous utilisons exclusivement des pièces de rechange d'origine lors des réparations.

Vous pouvez obtenir auprès de notre service après-vente des pièces détachées d'origine relatives au fonctionnement de l'appareil et pouvant être stockées jusqu'à 15 ans après la commercialisation de votre appareil.

Veuillez contacter notre service clientèle pour obtenir d'autres informations à ce sujet.

Pour plus d'informations sur la durée et les conditions de la garantie dans votre pays, consultez nos modalités de garantie auprès de votre détaillant ou sur notre site Web. USA:

1-800-944-2904

[www.bosch-home.com/us/owner-support/get-support](http://www.bosch-home.com/us/owner-support/get-support)

[www.bosch-home.com/us/shop](http://www.bosch-home.com/us/shop)

CA:

1-800-944-2904

[www.bosch-home.ca/en/service/get-support](http://www.bosch-home.ca/en/service/get-support)

[www.bosch-home.ca/en/service/cleaners-and-accessories](http://www.bosch-home.ca/en/service/cleaners-and-accessories)

### Résidents du Québec :

Vous trouverez des renseignements sur la disponibilité des pièces de rechange, des services de réparation et des renseignements nécessaires à l'entretien ou à la réparation de l'appareil à l'adresse suivante :

[www.bosch-home.ca/fr/service/](http://www.bosch-home.ca/fr/service/)



Vous trouverez également de l'aide pour contacter Home Connect® à l'adresse suivante :

[www.home-connect.com/us/en/help-support/set-up](http://www.home-connect.com/us/en/help-support/set-up)

## 19.1 Numéro de modèle (E-Nr.) et numéro de fabrication (FD)

Si vous contactez le service à la clientèle, indiquez le numéro de modèle (E-Nr.) et le numéro de fabrication (FD) indiqués sur la plaque signalétique de l'appareil.

→ "Appareil", Fig. 1/13, Page 41

Pour retrouver rapidement les données de votre appareil et le numéro de téléphone du service à la clientèle, n'hésitez pas à les recopier ailleurs.

## 20 Données techniques

La plaque signalétique mentionne le fluide frigorigène, le volume net ainsi que d'autres données techniques.

→ "Appareil", Fig. 1/13, Page 41

### 20.1 Informations sur le logiciel libre

Ce produit contient des composants logiciels dont la licence est accordée par les détenteurs des droits d'auteur en tant que logiciels libres ou open source.

Les informations de licence correspondantes sont énoncées sur l'électroménager. Il est également possible d'accéder aux informations de licence via l'application Home Connect®; « Profil -> Consignes légales -> Informations de licence ». <sup>1</sup> Vous pouvez également télécharger les informations de licence sur le site Web du produit de marque. (Veuillez rechercher votre modèle d'appareil et la documentation connexe sur le site Web du produit.) Vous pouvez également demander les informations nécessaires par courriel à l'adresse [ossrequest@bshg.com](mailto:ossrequest@bshg.com) ou par courrier à l'adresse BSH Hausgeräte GmbH, Carl-Wery-Str. 34, D-81739 München. Le code source concerné sera mis à votre disposition sur demande.

Veuillez envoyer votre demande par courriel à l'adresse [ossrequest@bshg.com](mailto:ossrequest@bshg.com) ou par courrier à l'adresse BSH Hausgeräte GmbH, Carl-Wery-Str. 34, D-81739 München. Objet : „OSSREQUEST“

Les coûts de traitement de votre demande vous seront facturés. Cette offre est valide pour une durée de trois ans à compter de la date d'achat ou du moins pour la période durant laquelle nous offrons la prise en charge et des pièces de rechange pour l'appareil correspondant.

<sup>1</sup> selon l'équipement de l'appareil

Para más información, consulte la Guía del usuario digital.



## Tabla de contenidos

<b>1 Seguridad</b> .....	<b>67</b>	<b>7 Manejo básico</b> .....	<b>77</b>
1.1 Definiciones de seguridad .....	67	7.1 Encender el aparato .....	77
1.2 Indicaciones generales .....	67	7.2 Advertencias relativas al funcionamiento del aparato .....	77
1.3 Uso previsto .....	67	7.3 Apagar el aparato .....	78
1.4 Limitación del grupo de usuarios .....	67	7.4 Ajustar la unidad de temperatura .....	78
1.5 Transporte seguro .....	67	7.5 Ajustar la temperatura .....	78
1.6 Instalación segura .....	67	7.6 Ajuste de almacenamiento del compartimento de almacenamiento frío .....	78
1.7 Uso seguro .....	68	<b>8 Funciones adicionales</b> .....	<b>78</b>
1.8 Aparato dañado .....	69	8.1 Superfrío .....	78
1.9 Advertencias en virtud de la Proposición 65 del estado de California .....	69	8.2 Supercongelación .....	78
<b>2 Evitar daños materiales</b> .....	<b>70</b>	8.3 Modo vacaciones .....	79
<b>3 Protección del medio ambiente y ahorro</b> .....	<b>70</b>	8.4 Modo de ahorro energético .....	79
3.1 Consejos para la eliminación del embalaje .....	70	8.5 Modo fresco .....	79
3.2 Ahorrar energía .....	70	8.6 Iluminación interior .....	79
<b>4 Instalación y conexión</b> .....	<b>70</b>	8.7 Modo Sabbat .....	79
4.1 Material entregado .....	70	8.8 Notificación de cambio de filtro .....	80
4.2 Requisitos para seleccionar el lugar de colocación .....	71	8.9 Estado de cambio de filtro .....	80
4.3 Instalación del aparato .....	71	<b>9 Alarma</b> .....	<b>80</b>
4.4 Preparar el aparato para el primer uso .....	71	9.1 Alarma de la puerta .....	80
4.5 Conectar el aparato a la toma de agua .....	71	9.2 Alarma de temperatura .....	80
4.6 Conectar el aparato a la red eléctrica .....	71	<b>10 Home Connect®</b> .....	<b>81</b>
<b>5 Familiarizándose con el aparato</b> .....	<b>72</b>	10.1 Configurar Home Connect® .....	81
5.1 Aparato .....	72	10.2 Verificar la intensidad de la señal .....	81
5.2 Panel de control .....	73	10.3 Instalar la actualización de software de Home Connect .....	81
5.3 Panel de control (submenú) .....	74	10.4 Restablecer los ajustes de Home Connect® .....	82
5.4 Panel de control (compartimento de almacenamiento frío) .....	75	10.5 Diagnóstico Remoto .....	82
<b>6 Equipamiento</b> .....	<b>75</b>	10.6 Protección de datos .....	82
6.1 Bandeja .....	75	<b>11 Compartimento de refrigeración</b> .....	<b>82</b>
6.2 Barra de equipamiento .....	76	11.1 Consejos para el almacenamiento de alimentos en el compartimento de refrigeración .....	82
6.3 Bandeja fija .....	76	11.2 Zonas de frío del compartimento de refrigeración .....	82
6.4 Cajón deslizante .....	76	<b>12 Compartimento fresco</b> .....	<b>83</b>
6.5 Contenedor de almacenamiento frío .....	76	12.1 Recomendaciones de almacenamiento en el compartimento de almacenamiento frío .....	83
6.6 Separador de compartimentos .....	76	<b>13 Congelador</b> .....	<b>83</b>
6.7 Recipiente plano para productos congelados .....	77	13.1 Consejos para colocar los alimentos en el congelador .....	83
6.8 Cajón deslizante de productos congelados .....	77	13.2 Consejos para congelar alimentos frescos .....	83
6.9 Recipiente suspendido para productos congelados .....	77	13.3 Métodos de descongelación para productos congelados .....	83
6.10 Compartimento para la mantequilla y el queso .....	77		
6.11 Estantes de la puerta para botellas .....	77		
6.12 Depósito para cubitos de hielo .....	77		
6.13 Accesorios .....	77		

<b>14 Sistema de agua.....</b>	<b>84</b>
14.1 Filtro de agua.....	84
14.2 Notificación de cambio de filtro .....	84
14.3 Estado de cambio de filtro.....	84
14.4 Dispensador de agua .....	85
14.5 Fabricador de cubitos de hielo .....	85
<b>15 Descongelación .....</b>	<b>86</b>
15.1 Desescarchar el compartimiento de refrigeración..	86
15.2 Descongelar en el compartimiento de almacenamiento frío.....	86
15.3 Descongelación dentro del congelador .....	86
<b>16 Limpieza y cuidados .....</b>	<b>86</b>
16.1 Preparar el aparato para su limpieza .....	86
16.2 Limpiar el aparato .....	86
16.3 Retirar elementos del aparato .....	87
16.4 Desmontar los componentes del aparato .....	89
<b>17 Solucionar pequeñas averías.....</b>	<b>92</b>
17.1 Interrupción del suministro eléctrico .....	95
17.2 Ejecutar la autocomprobación del aparato .....	95
<b>18 Almacenamiento y eliminación.....</b>	<b>95</b>
18.1 Interrumpir el funcionamiento del aparato .....	95
18.2 Eliminación de los aparatos usados .....	95
<b>19 Servicio de atención al cliente .....</b>	<b>96</b>
19.1 Número de modelo (E-Nr.) y número de fabricación (FD) .....	96
<b>20 Datos técnicos .....</b>	<b>96</b>
20.1 Informaciones referentes al software libre y de código abierto .....	96



# INSTRUCCIONES DE SEGURIDAD IMPORTANTES

## LEA Y CONSERVE ESTAS INSTRUCCIONES

Tenga en cuenta las siguientes indicaciones de seguridad.

### 1.1 Definiciones de seguridad

Aquí puede encontrar explicaciones de las palabras de señal de seguridad utilizadas en este manual.

#### **ADVERTENCIA**

Esto indica que pueden producirse la muerte o heridas graves si no se cumple con esta advertencia.

#### **PRECAUCIÓN**

Esto indica que pueden producirse heridas leves o moderadas si no se cumple con esta advertencia.

#### **AVISO:**

Esto indica que pueden producirse daños en el aparato o en los bienes si no se cumple con este aviso.

**Nota:** Esto alerta sobre información importante.

### 1.2 Indicaciones generales

- Lea atentamente estas instrucciones.
- Guarde las instrucciones y la información del producto para consultas posteriores o para el próximo propietario.
- El aparato no debe conectarse en caso de haber sufrido daños durante el transporte.

### 1.3 Uso previsto

Utilizar este aparato solo:

- para refrigerar y congelar alimentos, así como para preparar cubitos de hielo y extraer agua.
- en el uso doméstico privado y en espacios cerrados del entorno doméstico.
- hasta una altura de 13 100 ft (4000 m) sobre el nivel del mar.

### 1.4 Limitación del grupo de usuarios

Este aparato no está diseñado para ser utilizado por personas (incluidos niños) con capacidades físicas, sensoriales o mentales reducidas, o falta de experiencia y conocimiento, a menos que sean supervisados o instruidos acerca del uso del aparato por una persona responsable de su seguridad.

Impida que los niños jueguen con el aparato.

La limpieza y el cuidado del aparato a cargo del usuario no deberán ser efectuados por niños si no cuentan con la supervisión de una persona adulta responsable.

### 1.5 Transporte seguro

#### **ADVERTENCIA**

El elevado peso del aparato podría causar lesiones al levantarlo.

- ▶ Levantar el aparato solamente con ayuda de otra persona.

### 1.6 Instalación segura

#### **ADVERTENCIA**

Para evitar el riesgo de lesiones por una instalación incorrecta, debe tenerse en cuenta lo siguiente.

- ▶ Asegúrese de que se sigan todas las instrucciones de instalación antes de su uso.
- ▶ Conectar y poner en funcionamiento el aparato solo de conformidad con los datos que figuran en la placa de características.
- ▶ Conectar el aparato solo a una fuente de alimentación con corriente alterna a través de una toma de corriente instalada reglamentariamente y provista de puesta a tierra.
- ▶ La conexión de puesta a tierra de la instalación eléctrica doméstica debe estar instalada de acuerdo con las normas vigentes.
- ▶ No alimentar nunca el aparato a través de un dispositivo de conmutación externo, como por ejemplo, un reloj avisador o un mando remoto.
- ▶ Cuando el aparato esté montado, el enchufe del cable de conexión a la red debe quedar accesible, o, en caso de que no sea posible, debe haberse instalado un dispositivo de separación en la instalación eléctrica fija según lo dispuesto en las normas de instalación.
- ▶ Al instalar el aparato debe prestarse atención a que el cable de conexión de red no quede atrapado ni se dañe.

Para evitar el riesgo de lesiones por el aislamiento dañado del cable de alimentación, tenga en cuenta lo siguiente.

- ▶ Evite que el cable de conexión de red entre en contacto con fuentes de calor.



# INSTRUCCIONES DE SEGURIDAD IMPORTANTES

## LEA Y CONSERVE ESTAS INSTRUCCIONES

### ADVERTENCIA

Si las aberturas de ventilación del aparato se encuentran cerradas, puede generarse una mezcla inflamable de aire y gas en caso de una fuga del circuito de enfriamiento.

- ▶ No cerrar las aberturas de ventilación de la carcasa del aparato o de la carcasa de la instalación.

### ADVERTENCIA

Para evitar el riesgo de lesiones por un cable de alimentación alargado y adaptadores no aprobados, tenga en cuenta lo siguiente.

- ▶ No utilizar cables de prolongación ni regletas de tomas de corriente múltiples.
- ▶ Utilizar solo adaptadores y cables de conexión de red autorizados por el fabricante.
- ▶ Si el cable de conexión de red es demasiado corto y no hay disponible ningún cable de mayor longitud, ponerse en contacto con un técnico electricista para adaptar la instalación doméstica.

Las unidades de alimentación o las tomas de corriente múltiples, móviles, pueden sobrecalentarse y provocar incendios.

- ▶ No colocar las unidades de alimentación o las tomas de corriente múltiples móviles en la parte posterior de los aparatos.

## 1.7 Uso seguro

### ADVERTENCIA

La penetración de humedad puede causar una descarga eléctrica.

- ▶ El aparato solo debe utilizarse en espacios interiores.
- ▶ No exponer el aparato a fuentes intensas de calor y humedad.
- ▶ No utilizar limpiadores por chorro de vapor ni de alta presión para limpiar el aparato.

### ADVERTENCIA

Los niños pueden ponerse el material de embalaje por encima de la cabeza, o bien enrollarse en él, y asfixiarse.

- ▶ Mantener el material de embalaje fuera del alcance de los niños.
- ▶ No permita que los niños jueguen con el material de embalaje.

Los niños pueden inhalar o ingerir pequeñas piezas y asfixiarse.

- ▶ Mantener las piezas pequeñas fuera del alcance de los niños.

- ▶ No permita que los niños jueguen con piezas pequeñas.

### ADVERTENCIA

Si se daña el circuito de refrigeración, puede escaparse líquido refrigerante inflamable y explotar.

- ▶ Para acelerar la descongelación, no utilizar ningún otro dispositivo mecánico u otro medio distinto a los recomendados por el fabricante.

- ▶ Separar los alimentos congelados adheridos con un objeto como el mango de una cuchara de madera.

Los productos que contienen gases propelentes o inflamables y las materias explosivas pueden causar una explosión (por ejemplo, aerosoles).

- ▶ No guardar productos que contengan gases propelentes o inflamables ni materias explosivas en el aparato.

### ADVERTENCIA

Los dispositivos eléctricos en el interior del aparato pueden provocar incendios (por ejemplo, calefactores, fábricas de hielo, etc.).

- ▶ No poner en funcionamiento dispositivos eléctricos en el interior del aparato.

### ADVERTENCIA

Los envases con bebidas carbonatadas pueden estallar.

- ▶ No guardar en el compartimiento de almacenamiento frío envases que contengan líquidos gaseosos por debajo de 34 °F (1 °C).
- ▶ No almacenar envases con bebidas carbonatadas en el congelador.

Riesgo de lesiones en los ojos debido a la salida de líquido refrigerante inflamable y gases nocivos.

- ▶ No dañe las tuberías del circuito de refrigeración y aislamiento.

El aparato puede volcar.

- ▶ No pisar ni apoyarse sobre el pedestal, cajones o puertas.

### ADVERTENCIA

El contacto con productos congelados y superficies frías puede provocar quemaduras por el frío.

- ▶ No introducir nunca en la boca directamente los alimentos congelados extraídos del congelador.
- ▶ Evitar el contacto prolongado de la piel con los alimentos congelados, el hielo y las superficies del congelador.



# INSTRUCCIONES DE SEGURIDAD IMPORTANTES

## LEA Y CONSERVE ESTAS INSTRUCCIONES

### PRECAUCIÓN

Para evitar la contaminación de los alimentos, se deben tener en cuenta las siguientes indicaciones.

- ▶ Si se abre la puerta durante un tiempo prolongado, se puede producir un aumento considerable de la temperatura en los compartimientos del aparato.
- ▶ Limpiar regularmente las superficies que puedan entrar en contacto con alimentos y sistemas de drenado accesibles.
- ▶ Enjuagar el sistema de agua si no se ha extraído agua durante cinco días.
- ▶ Guardar el pescado y la carne cruda en recipientes apropiados en el refrigerador con el fin de que no entren en contacto con otra comida ni goteen sobre ella.
- ▶ Si el refrigerador/congelador está vacío durante mucho tiempo, apagar, descongelar, limpiar y dejar la puerta abierta para evitar la creación de moho.

Las piezas metálicas o con aspecto metálico pueden contener aluminio. Si algún alimento ácido entra en contacto con el aluminio presente en el aparato, los iones de aluminio podrían traspasarse a los alimentos.

- ▶ No consumir alimentos contaminados.

### 1.8 Aparato dañado

#### ADVERTENCIA

Para evitar el riesgo de lesiones por un aparato o cable de alimentación dañado, tenga en cuenta lo siguiente.

- ▶ No poner nunca en funcionamiento un aparato dañado.
- ▶ No jalar nunca el cable de conexión a la red eléctrica para desenchufar el aparato. Desenchufar siempre el cable de conexión de red de la toma de corriente.
- ▶ Si el aparato o el cable de conexión de red están dañados, desenchufar inmediatamente el cable de conexión de red o desconectar el fusible de la caja de fusibles y cerrar la llave del agua.
- ▶ Llamar al servicio de atención al cliente. → *Página 96*

Para evitar riesgos de lesiones derivadas de reparaciones inadecuadas, se recomienda seguir las siguientes indicaciones.

- ▶ Únicamente los técnicos especialistas o los proveedores de servicios autorizados deben llevar a cabo reparaciones.
- ▶ Solo se pueden utilizar repuestos originales para reparar el aparato.

- ▶ Si el cable de conexión de red o el cable de conexión de este aparato resulta dañado, debe ser sustituido por un cable especial de conexión de red o por un cable especial de conexión para este aparato que puede obtenerse a través del fabricante o de su servicio de atención al cliente.

#### ADVERTENCIA

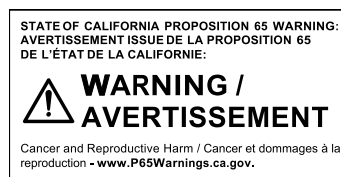


Si las tuberías están dañadas, se puede escapar refrigerante inflamable y gases nocivos, lo que puede provocar un incendio.

- ▶ Mantener las fuentes de fuego o focos de ignición alejados del aparato.
- ▶ Ventilar la estancia.
- ▶ Apagar el aparato. → *Página 78*
- ▶ Extraer el enchufe del cable de conexión de red o quitar el fusible de la caja de fusibles.
- ▶ Llamar al servicio de atención al cliente. → *Página 96*

### 1.9 Advertencias en virtud de la Proposición 65 del estado de California

Este producto puede contener un químico que el Estado de California reconoce como potencialmente cancerígeno o causante de daños reproductivos. Por tanto, su producto debe llevar en su embalaje la siguiente etiqueta de conformidad con la legislación de California:



## 2 Evitar daños materiales

### AVISO:

Al desplazar el aparato, debido a su elevado peso o la inclinación de las ruedas del aparato, el piso puede resultar dañado.

- ▶ Transportar el aparato con una carretilla para sacos.
- ▶ Proteger el piso con algo cuando se vaya a desplazar el aparato y no volverlo en zigzag.

Al cerrar la puerta del aparato, este puede resultar dañado si el montante de puerta está abierto.

- ▶ No debe abrirse el montante de puerta manualmente.
- ▶ Si el montante de puerta está abierto, este debe cerrarse antes de cerrar la puerta del aparato.

Al subirse o apoyarse sobre el aparato, pedestales, cajones o puertas, se puede dañar el aparato.

- ▶ No pisar ni apoyarse sobre el aparato, pedestal, cajones ni puertas.

Para evitar daños en el aparato o daños materiales, tenga en cuenta lo siguiente.

- ▶ No conecte el aparato a la línea de agua durante las obras o si el agua está turbia o contiene partículas visibles. El incumplimiento de estas instrucciones puede provocar la entrada de materiales extraños en el aparato, lo que podría perjudicar su funcionamiento o causar fugas de agua.

Una presión de agua demasiado baja o elevada puede influir negativamente en el funcionamiento del aparato.

- ▶ Es preciso asegurarse de que la presión de agua del dispositivo de suministro de agua sea de 29 psi (200 kPa) como mínimo y de 116 psi (800 kPa) como máximo.
- ▶ Si la presión del agua excede el valor máximo indicado, se debe instalar una válvula de reducción de presión entre la toma de agua y el juego de mangueras del aparato.

Las mangueras de agua modificadas o dañadas pueden causar daños a la propiedad o al aparato.

- ▶ No doblar, aplastar, modificar ni cortar las mangueras de agua.
- ▶ No reutilizar nunca las mangueras de agua ya usadas.
- ▶ No jalar nunca la manguera de agua de la parte trasera del aparato.

La suciedad con aceite o grasa puede crear poros en las piezas de plástico y las juntas de las puertas.

- ▶ Mantener las piezas de plástico y juntas de goma limpias de aceites y grasas.

Las piezas metálicas o con aspecto metálico pueden contener aluminio. En contacto con comida ácida, el aluminio se corroe y decolora.

- ▶ En el aparato, solo se puede guardar comida envasada. Si se lavan los elementos y accesorios del aparato en el lavavajillas, estos podrían deformarse o decolorarse.
- ▶ No lavar nunca los elementos y accesorios del aparato en el lavavajillas.

## 3 Protección del medio ambiente y ahorro

### 3.1 Consejos para la eliminación del embalaje

Todos los materiales del embalaje son ecológicos y reciclables.

- ▶ Desechar los diferentes materiales separados según su naturaleza.

### 3.2 Ahorrar energía

Si tiene en cuenta estas indicaciones, su aparato consumirá menos corriente.

#### Selección del lugar de colocación

- Proteger el aparato de la radiación solar directa.
- Instalar el aparato con la mayor distancia posible respecto a radiadores, hornos y otras fuentes de calor:
  - Mantener una distancia de 1<sup>1</sup>/<sub>4</sub>" (30 mm) respecto a estufas de gas o eléctricas.
  - Mantener una distancia de 11<sup>13</sup>/<sub>16</sub>" (300 mm) respecto a hornos de carbón o aceite.
- No cubrir ni obstruir nunca las aberturas de ventilación exteriores.

#### Ahorro de energía durante el funcionamiento

**Nota:** La disposición de las piezas de equipo no influye en el consumo de energía de aparato.

- Abrir brevemente el aparato y cerrarlo correctamente.
- No cubrir ni bloquear nunca las aberturas de ventilación interiores ni las aberturas de ventilación exteriores.
- Transportar los alimentos en una bolsa isotérmica y colocarlos inmediatamente en el congelador.
- Dejar enfriar los alimentos o bebidas calientes hasta la temperatura ambiente antes de almacenarlos.
- Descongelar los productos congelados en el interior del compartimiento de refrigeración para aprovechar el frío desprendido por los mismos.
- Dejar siempre un poco de espacio entre los alimentos y el panel posterior.
- Aspirar el polvo de las rejillas de ventilación exteriores.

## 4 Instalación y conexión

### 4.1 Material entregado

Después de desembalar el aparato, verificar que ninguna pieza haya sufrido daños durante el transporte y que el volumen de suministro esté completo.

Si tiene alguna queja deberá dirigirse al distribuidor en donde adquirió su electrodoméstico o a nuestro servicio de atención al cliente → *Página 96*.

El alcance de la entrega consta de:

- Aparato de libre instalación

- Equipamiento y accesorios<sup>1</sup>
- Material para instalación
- Instrucciones de instalación
- Manual de instrucciones
- Declaración de garantía limitada del producto
- Documento de la garantía<sup>2</sup>
- Etiqueta energética
- Informaciones sobre el consumo de energía y los ruidos del aparato
- Información acerca de Home Connect®

## 4.2 Requisitos para seleccionar el lugar de colocación

### ADVERTENCIA

Si el aparato se encuentra en un espacio demasiado pequeño, puede generarse una mezcla inflamable de aire y gas en caso de una fuga del circuito de enfriamiento.

- ▶ Colocar el aparato en espacios que tengan un volumen mínimo de 35 pies cúbicos (1 m<sup>3</sup>) por 0.3 oz (8 g) de líquido refrigerante. La cantidad de refrigerante se indica en la placa de características. → "Aparato", Fig.

**1/13**, Página 73

El peso de fábrica del aparato puede alcanzar, en función del modelo concreto, hasta las 345 lb (155 kg).

Para soportar el peso del dispositivo, la superficie debe ser lo suficientemente estable.

La superficie debe estar nivelada.

### Colocación arriba y abajo o lado a lado

Si se desea instalar dos aparatos de refrigeración uno encima del otro, debe mantenerse una distancia mínima de 150 mm entre ambos. Para determinados aparatos, es posible una instalación sin distancia mínima. En este sentido, consultar con un distribuidor especializado o planificador de cocinas.

## 4.3 Instalación del aparato

- ▶ Instalar el aparato siguiendo las instrucciones de instalación adjuntas.

## 4.4 Preparar el aparato para el primer uso

1. Retirar el material informativo.
2. Retirar las láminas protectoras y los seguros de transporte, p. ej., la cinta adhesiva y la caja.
3. Efectuar una primera limpieza del aparato.  
→ *Página 86*

## 4.5 Conectar el aparato a la toma de agua

### Requisitos

- Se debe instalar una válvula de cierre en la conexión a la toma de agua y se debe poder acceder libremente a ella una vez instalado el aparato.
- Se debe comprobar la conexión a la toma de agua, y que el agua es de calidad.
- La manguera de desagüe tiene una junta anular.

1. Extraer agua de la toma de agua de la instalación doméstica hasta que no salgan sedimentos ni esté turbia.

Instalar un sistema de filtro de agua exterior en caso de que haya sedimentos persistentes o el agua siga enturbada.

2. Instalar la manguera de desagüe en el aparato según las instrucciones de montaje adjuntas.

## 4.6 Conectar el aparato a la red eléctrica

1. Enchufar el conector frío del cable de alimentación en el aparato.
2. El enchufe del cable de conexión de red del aparato debe conectarse a una toma de corriente con conexión a tierra cercana al aparato.

Los datos de conexión del aparato se encuentran en la placa de características. → "Aparato", Fig. **1/13**, *Página 73*

3. Comprobar el asiento firme del enchufe.
- ✓ El aparato está listo para su uso.

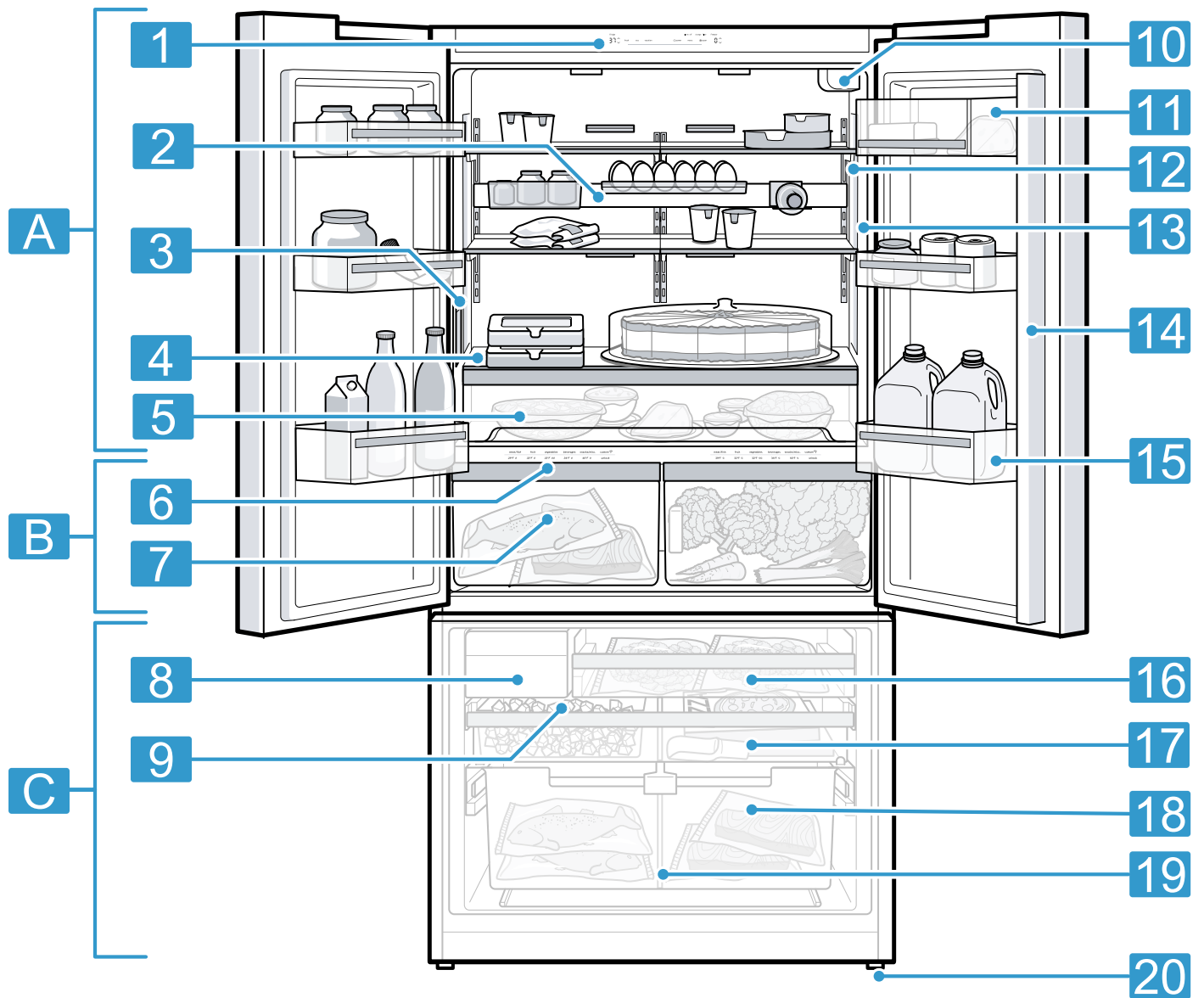
<sup>1</sup> Según el equipamiento del aparato

<sup>2</sup> No disponible en todos los países

## 5 Familiarizándose con el aparato

### 5.1 Aparato

Aquí encontrará una vista general de los componentes de su aparato.



**1**

Es posible que las ilustraciones muestren detalles y características de equipamiento y tamaño que no concuerdan con las de su aparato concreto.

**A** Compartimento de refrigeración → *Página 82*

**B** Compartimento fresco → *Página 83*

**C** Congelador → *Página 83*

**1** Panel de control → *Página 73*

**2** Barra de equipamiento → *Página 76*

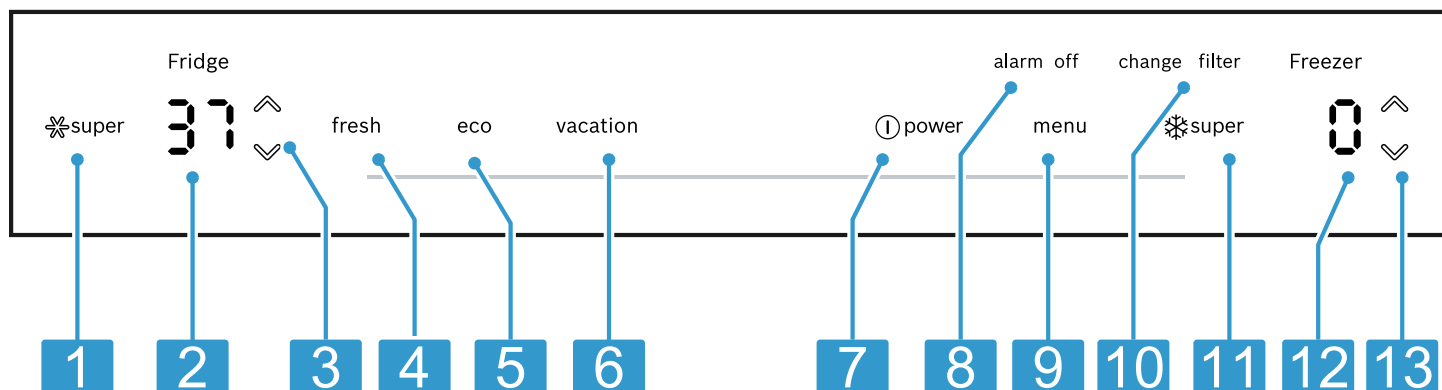
**3** Dispensador de agua → *Página 85*

<b>4</b>	Bandeja fija → <i>Página 76</i>
<b>5</b>	Cajón deslizante → <i>Página 76</i>
<b>6</b>	Panel de control (compartimento de almacenamiento frío) → <i>Página 75</i>
<b>7</b>	Contenedor de almacenamiento frío → <i>Página 76</i>
<b>8</b>	Fabricador de cubitos de hielo → <i>Página 85</i>
<b>9</b>	Depósito para cubitos de hielo → <i>Página 77</i>
<b>10</b>	Filtro de agua → <i>Página 84</i>
<b>11</b>	Compartimento para la mantequilla y el queso → <i>Página 77</i>
<b>12</b>	Iluminación interior

<b>13</b>	Placa de características → <i>Página 96</i>
<b>14</b>	Montante de puerta con protección contra condensación → <i>Página 70</i>
<b>15</b>	Estantes de la puerta para botellas grandes → <i>Página 77</i>
<b>16</b>	Cajón deslizante para productos congelados → <i>Página 77</i>
<b>17</b>	Recipiente plano para productos congelados → <i>Página 77</i>
<b>18</b>	Recipiente suspendido para productos congelados → <i>Página 77</i>
<b>19</b>	Separador de compartimientos → <i>Página 76</i>
<b>20</b>	Pata atornillada

## 5.2 Panel de control

A través del panel de control se ajustan todas las funciones de su aparato y se obtiene información sobre el estado de funcionamiento.



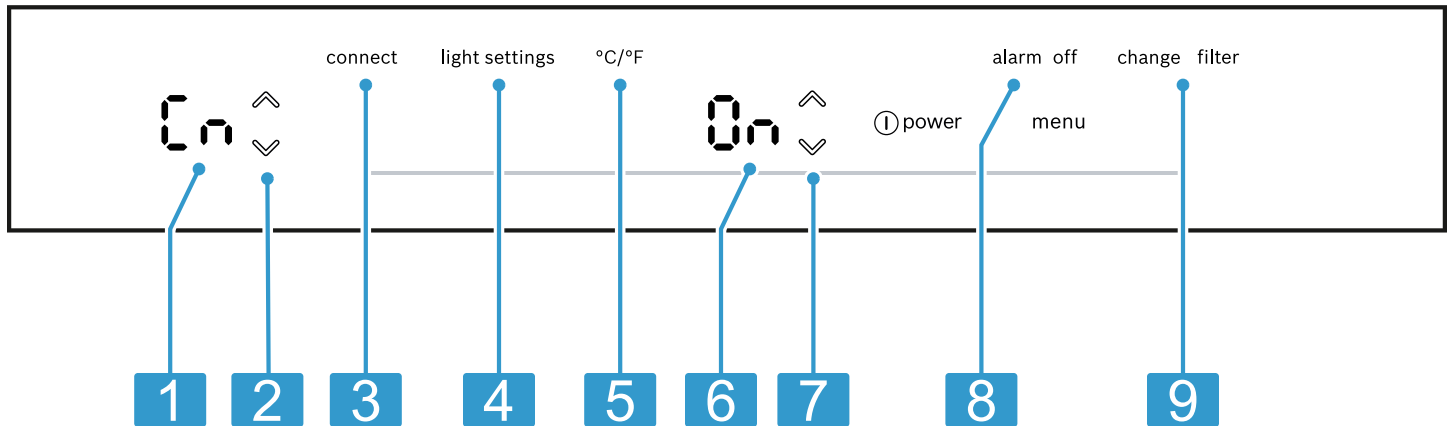
### 2

- |          |  |
|----------|--|
| <b>1</b> | ❄️super activa o desactiva Superfrío.  |
| <b>2</b> | Muestra la temperatura del compartimento de refrigeración ajustada en °F o °C.                             |
| <b>3</b> | ↕️/↕️ (compartimento de refrigeración) permiten ajustar la temperatura del compartimento de refrigeración. |
| <b>4</b> | fresh activa y desactiva el modo Fresco.   |
| <b>5</b> | eco activa o desactiva el modo de ahorro de energía.   |
| <b>6</b> | vacation activa y desactiva el modo Vacaciones.  |

- |           |  |
|-----------|--|
| <b>7</b>  | Ⓜ️ power enciende y apaga el aparato.  |
| <b>8</b>  | alarm off desactiva la alarma.   |
| <b>9</b>  | menu abre y cierra el menú.  |
| <b>10</b> | change filter se ilumina cuando se debe cambiar el filtro.                   |
| <b>11</b> | ❄️super activa o desactiva Supercongelación.                                 |
| <b>12</b> | Muestra la temperatura del compartimento de congelación ajustada en °F o °C. |
| <b>13</b> | ↕️/↕️ (congelador) permiten ajustar la temperatura del congelador.           |

### 5.3 Panel de control (submenú)

Es posible realizar más ajustes en el submenú.

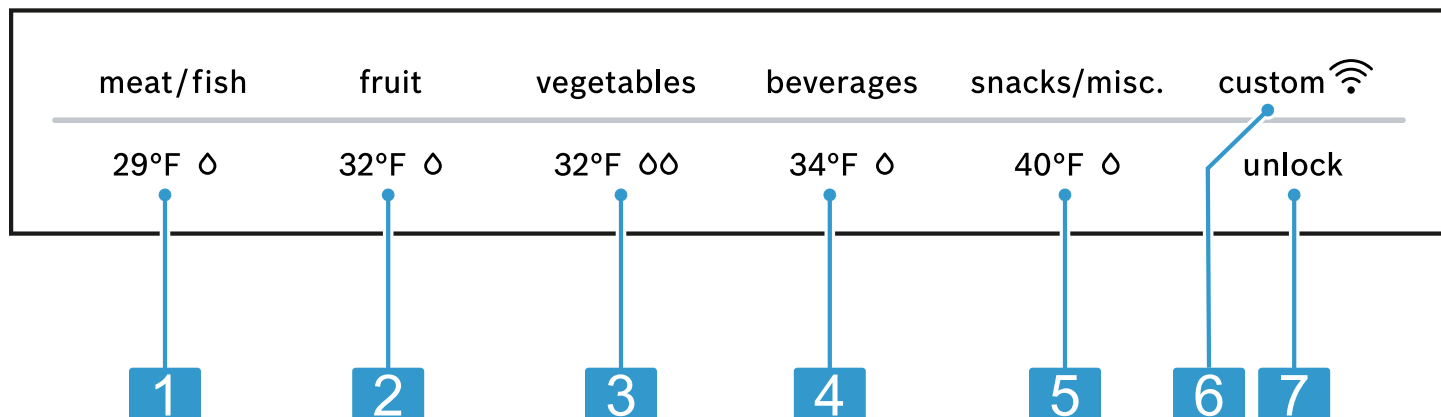


#### 3

- |   |  |   |   |
|---|--|---|---|
| 1 | Muestra el submenú ajustado.                                 | 5 | °C/°F abre el menú de modificación de la unidad de temperatura. |
| 2 | ↕/↗ (submenú) sirve para navegar por el submenú.             | 6 | Muestra el ajuste del submenú.                                  |
| 3 | menu abre el menú para realizar los ajustes de Home Connect. | 7 | ↕/↗ (ajuste del submenú) modifica el ajuste del submenú.        |
| 4 | light settings abre el menú para ajustar la iluminación.     | 8 | alarm off abre el menú para ajustar la alarma de la puerta.     |
|   |  | 9 | change filter abre el menú para ajustar el filtro.              |

## 5.4 Panel de control (compartimento de almacenamiento frío)

Mediante el panel de control del compartimento de almacenamiento frío se puede ajustar la temperatura y la humedad en el compartimento de almacenamiento frío.



4

- 1 29°F ◊ configura el ajuste de almacenamiento del compartimento de almacenamiento frío para carne y pescado.
- 2 32°F ◊ configura el ajuste de almacenamiento del compartimento de almacenamiento frío para fruta.
- 3 32°F ◊◊ configura el ajuste de almacenamiento del compartimento de almacenamiento frío para verdura.
- 4 34°F ◊ configura el ajuste de almacenamiento del compartimento de almacenamiento frío para bebidas.
- 5 40°F ◊ configura el ajuste de almacenamiento del compartimento de almacenamiento frío para aperitivos.
- 6 custom se ilumina cuando se establecen los ajustes definidos por el usuario mediante la aplicación Home Connect®. Para más información, consultar la aplicación Home Connect®.
- 7 unlock activa el bloqueo de teclas del panel de control (compartimento de almacenamiento frío).

## 6 Equipamiento

El equipamiento del aparato depende del modelo.

### 6.1 Bandeja

#### AVISO:

Los ganchos de la bandeja pueden rayar el panel posterior del compartimento de refrigeración si se enganchan inclinados.

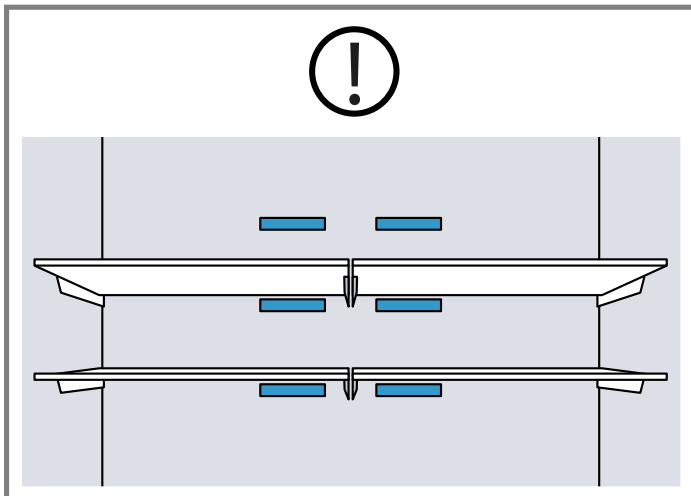
- ▶ Asegurarse de que la bandeja esté en posición horizontal y de que los ganchos estén totalmente enganchados.

Si se desea modificar la posición de las bandejas según sea necesario, es posible retirarlas y volver a colocarlas en otro lugar.

→ "Retirar las bandejas", Página 87

**Nota**

No cubrir las aberturas de ventilación interiores para no perjudicar la circulación del aire.

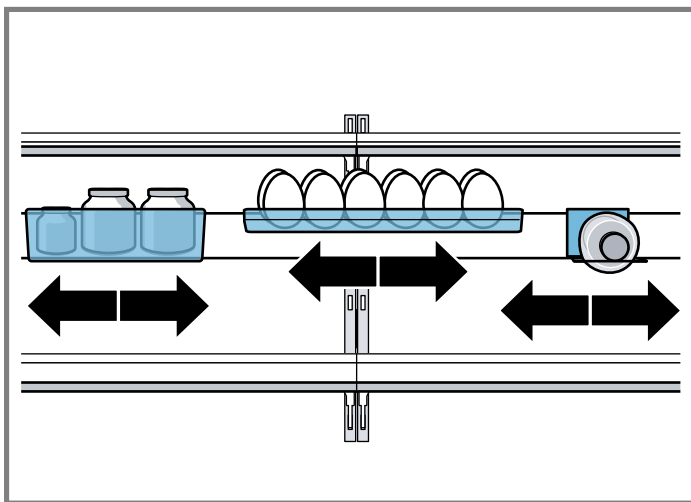


**6.2 Barra de equipamiento**

La barra de equipamiento ofrece espacio de almacenamiento adicional en el interior del compartimento de refrigeración mediante los componentes de equipamiento:

- Guardar una botella en el estante para botellas con total seguridad.
- Guardar tarros en el recipiente.
- Guardar una caja de huevos en la bandeja.

Es posible colocar los componentes de equipamiento en cualquier parte de la barra de equipamiento.



**AVISO:**

Los ganchos de la barra de equipamiento pueden rayar el panel posterior del compartimento de refrigeración si se enganchan inclinados.

- ▶ Asegurarse de que la barra de equipamiento esté en posición horizontal y de que los ganchos estén totalmente enganchados.

La barra de equipamiento se puede retirar y colocar en otro lugar.

→ "Extraer la barra de equipamiento", Página 87

**Consejo** Colocar la barra de equipamiento en el centro del compartimento de refrigeración.

**6.3 Bandeja fija**

Colocar la bandeja fija siempre en la posición indicada.

**6.4 Cajón deslizable**

Guardar tapados los platos grandes o los recipientes planos con alimentos preparados en el cajón deslizable.

**6.5 Contenedor de almacenamiento frío**

La zona de menor temperatura del compartimento de almacenamiento frío se utiliza para guardar alimentos perecederos (por ejemplo, pescado, carne y embutido).

**6.6 Separador de compartimentos**

**⚠ ADVERTENCIA**

Los niños pueden subirse al aparato y asfixiarse.

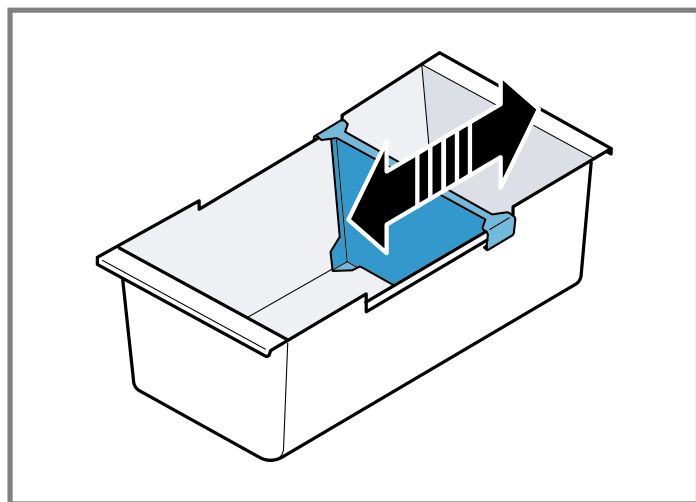
- ▶ No retirar nunca el divisor del recipiente suspendido para productos congelados.

**AVISO:**

El divisor del recipiente suspendido para productos congelados puede resultar dañado si se extrae.

- ▶ No retirar nunca el divisor del recipiente suspendido para productos congelados.

Para variar la división del recipiente suspendido para productos congelados, deslizar el divisor del recipiente.



## 6.7 Recipiente plano para productos congelados

Los productos congelados, el depósito para cubitos y la pala para hielo se pueden almacenar en el recipiente plano para productos congelados.

## 6.8 Cajón deslizante de productos congelados

Para obtener una mejor vista general y para retirar productos congelados más rápidamente, se puede extraer el cajón deslizante de productos congelados.

## 6.9 Recipiente suspendido para productos congelados

El recipiente suspendido permite almacenar productos congelados grandes.

## 6.10 Compartimiento para la mantequilla y el queso

Guardar la mantequilla y el queso en su compartimiento específico.

## 6.11 Estantes de la puerta para botellas

Los estantes para botellas pueden retirarse y recolocarse en otro lugar para modificar su posición según sea necesario.

→ "Retirar el botellero de puerta", *Página 87*

## 6.12 Depósito para cubitos de hielo

Cuando la producción de cubitos de hielo está activada, se guardan cubitos de hielo automáticamente en el depósito para cubitos.

### AVISO:

El dispositivo fabricante de cubitos de hielo puede resultar dañado o bloqueado si se introducen alimentos u objetos en el depósito para cubitos.

- ▶ No colocar nunca alimentos ni objetos en el depósito para cubitos.

**Nota:** Para evitar llenar demasiado el depósito para cubitos de hielo, no distribuir los cubitos de hielo en el depósito para cubitos de hielo con la mano.

**Consejo** Para evitar que los cubitos de hielo caigan del depósito para cubitos de hielo en el congelador, no cerrar de golpe el cajón del congelador.

## 6.13 Accesorios

Utilizar accesorios originales. Están diseñados para su aparato.

Los accesorios del aparato dependen del modelo.

## Absorbente de etileno

Las instrucciones de montaje del absorbente de etileno adjuntas incluyen importantes indicaciones de seguridad e información sobre su montaje y su manejo.

El absorbente de etileno ralentiza la maduración de frutas y verduras, que son sensibles a esta sustancia, para mantenerlas frescas durante más tiempo.

### Instalar el absorbente de etileno

- ▶ Instalar el absorbente de etileno según las instrucciones de montaje y de uso del mismo.

### Utilizar el juego de reabastecimiento

1. Instalar las piezas del kit de reabastecimiento según las instrucciones de montaje y de uso del absorbente de etileno.
2. Sustituir la bolsa y el temporizador como mínimo cada 6 meses después de su activación.

**Nota:** El kit de reabastecimiento se puede adquirir a través de nuestro Servicio de Atención al Cliente o en nuestra página web.

### Pala para hielo

La pala para hielo permite retirar una porción de cubitos de hielo.

---

# 7 Manejo básico

## 7.1 Encender el aparato

1. Conectar el aparato a la red eléctrica. → *Página 71*

**Nota:** Si el aparato se ha apagado previamente con el panel de control, presionar **power**.


- ✓ El aparato está listo para su uso.
  - ✓ El aparato comienza a enfriar.
  - ✓ Se escucha un tono de advertencia y la indicación de la temperatura (congelador) parpadea y "alarm off" se ilumina porque la temperatura del congelador es demasiado alta.
2. Desactivar la señal acústica con **alarm off**.
    - ✓ "alarm off" se apaga tan pronto como se ha alcanzado la temperatura ajustada.
  3. Ajustar la temperatura deseada. → *Página 78*

## 7.2 Advertencias relativas al funcionamiento del aparato

- Una vez encendido el aparato, transcurren varias horas hasta que se alcanza la temperatura ajustada. No introducir alimentos en el aparato antes de alcanzar la temperatura ajustada.
- Los lados frontales y las paredes laterales del aparato se calientan ligeramente en ocasiones. De esta forma, se evita la formación de agua de condensación.
- Al cerrar la puerta, asegurarse de que no esté bloqueada por objetos almacenados.


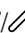
- Cuando se cierra la puerta, puede generarse presión negativa. La puerta se vuelve a abrir con dificultad. Esperar un momento hasta que la presión se estabilice.
- La temperatura del aparato varía debido a las siguientes condiciones:
  - Frecuencia con la que se abre el aparato
  - Cantidad de carga
  - Temperatura de los alimentos frescos almacenados
  - Temperatura del entorno
  - Radiación solar directa

### 7.3 Apagar el aparato

- ▶ Presionar  **power**.



### 7.4 Ajustar la unidad de temperatura

Es posible elegir entre °F y °C como unidades de temperatura.

1. Presionar **menu**.
2. Presionar °C/°F.
3. Presionar / (ajuste del submenú) hasta que en el indicador de ajustes del submenú aparezca "F" o "C".
4. Presionar **menu**.



### 7.5 Ajustar la temperatura

#### Ajustar la temperatura del compartimiento refrigerador

- ▶ Presionar / (compartimiento de refrigeración) repetidas veces hasta que la indicación de temperatura (compartimiento refrigerador) muestre el ajuste de temperatura deseado.

La temperatura recomendada del compartimiento de refrigeración asciende a 37 °F (3 °C).

#### Ajustar la temperatura del compartimiento congelador

- ▶ Presionar / (congelador) repetidas veces hasta que la indicación de temperatura (congelador) muestre el ajuste de temperatura deseado.

La temperatura recomendada del congelador es de 0 °F (-18 °C).

### 7.6 Ajuste de almacenamiento del compartimiento de almacenamiento frío

Es posible ajustar la temperatura y la humedad del compartimiento de almacenamiento frío con los ajustes predefinidos de almacenamiento.

**Consejo** Hay más ajustes disponibles en la aplicación Home Connect®.

#### Efectuar el ajuste de almacenamiento del compartimiento de almacenamiento frío

1. Presionar cualquier tecla táctil del panel de control (compartimiento de almacenamiento frío).

2. Mantener presionada la tecla **unlock** hasta que se ilumine completamente la barra luminosa.
3. Presionar en el ajuste de almacenamiento deseado.

## 8 Funciones adicionales

Comprobar qué funciones adicionales ajustables ofrece el aparato.



### 8.1 Superfrío

Mediante la función Superfrío, el compartimiento de refrigeración se enfría hasta alcanzar la temperatura más baja posible.

Encender Superfrío antes de almacenar grandes cantidades de alimentos en el compartimiento de refrigeración.


**Nota:** Estando activada la función Superfrío, el nivel sonoro del aparato puede aumentar.

#### Activar Superfrío

- ▶ Presionar  **super**.
- ✓ Se enciende  "super".

**Nota:** La función se desactiva automáticamente pasadas unas 6 horas y el aparato vuelve al funcionamiento normal.

#### Desactivar Superfrío

- ▶ Presionar  **super**.
- ✓ Se muestra la temperatura ajustada anteriormente.

### 8.2 Supercongelación



Con la función Supercongelación, el congelador enfría a la temperatura más baja posible.

Activar Supercongelación entre una y dos horas antes de almacenar una cantidad de alimentos de 4.4 lb (2 kg) o superior en el congelador.

Utilizar Supercongelación para acelerar la producción de cubitos de hielo.


**Nota:** Estando activada la función Supercongelación, el nivel sonoro del aparato puede aumentar.

#### Activar Supercongelación

- ▶ Presionar  **super**.
- ✓ Se enciende  "super".

**Nota:** La función se desactiva automáticamente pasadas unas 8 horas y el aparato vuelve al funcionamiento normal.

#### Desactivar Supercongelación

- ▶ Presionar  **super**.
- ✓ Se muestra la temperatura ajustada anteriormente.

### 8.3 Modo vacaciones

En caso de ausentarse durante un largo período de tiempo, puede activarse el modo de vacaciones.

#### PRECAUCIÓN

Mientras está activado el modo vacaciones, el compartimiento de refrigeración se calienta. El aumento de la temperatura puede contribuir a la proliferación de bacterias y a que se echen a perder los alimentos.

- ▶ Si está activo el modo vacaciones, no deben guardarse alimentos en el compartimiento de refrigeración.

El aparato reajusta automáticamente las siguientes temperaturas.

Compartimiento de refrigeración	43 °F (6 °C)
Compartimiento fresco	40 °F (4 °C)
Congelador	Temperatura sin cambios

**Nota:** Durante el modo de vacaciones, se desactivan la producción de cubitos de hielo y el dispensador de agua.

#### Activar el modo vacaciones

- ▶ Presionar **vacation**.
- ✓ Se enciende "vacation".

#### Desactivar el modo vacaciones

- ▶ Presionar **vacation**.
- ✓ Se muestra la temperatura ajustada anteriormente.

### 8.4 Modo de ahorro energético

Con el modo de ahorro de energía, el funcionamiento del aparato cambia para consumir menos energía.

El aparato reajusta automáticamente las siguientes temperaturas.

Compartimiento de refrigeración	43 °F (6 °C)
Compartimiento fresco	32 °F (0 °C)
Congelador	6 °F (-14 °C)

#### Activar el modo de ahorro de energía

- ▶ Presionar **eco**.
- ✓ Se enciende "eco".

#### Desactivar el modo de ahorro de energía

- ▶ Presionar **eco**.
- ✓ Se muestra la temperatura ajustada anteriormente.

### 8.5 Modo fresco

Para mantener frescos los alimentos durante más tiempo, puede activarse el modo fresco del aparato.

El aparato reajusta automáticamente las siguientes temperaturas.

Compartimiento de refrigeración	36 °F (2 °C)
Compartimiento fresco	32 °F (0 °C)
Congelador	Temperatura sin cambios

#### Activar el modo fresco

- ▶ Presionar **fresh**.
- ✓ "fresh" se ilumina.

#### Desactivar el modo fresco



- ▶ Presionar **fresh**.
- ✓ Se muestra la temperatura ajustada anteriormente.

### 8.6 Iluminación interior

Es posible desactivar la iluminación interior o ajustar el brillo.

0	Iluminación interior desactivada
1	brillo mínimo
5	brillo máximo

#### Ajustar la iluminación interior

1. Presionar **menu**.
2. Presionar **light settings**.
3. Presionar / (ajuste del submenú) hasta que el indicador de ajustes del submenú muestre el ajuste deseado.
4. Presionar **menu**.

### 8.7 Modo Sabbat

Con el modo Sabbat, se desconectan todas las funciones que no son necesarias para el uso del aparato durante el Sabbat.

Durante el modo Sabbat, las siguientes funciones permanecen desconectadas:

- Superfrío
- Supercongelación
- Alarma
- Dispensador de agua
- Producción de cubitos de hielo
- Iluminación interior
- Señales acústicas
- Mensajes en el panel de control

**Nota:** Durante el modo Sabbat, se atenúa la iluminación del panel de control.

#### Activar el modo Sabbat

- ▶ Mantener presionado **vacation** durante diez segundos hasta que suene una señal acústica.
- ✓ "alarm" se ilumina.

**Nota:** Después de aproximadamente 80 horas, el aparato vuelve a funcionamiento normal.

## Apagar el modo Sabbat

- ▶ Mantener presionado **alarm** durante cinco segundos hasta que suene una señal acústica.

## 8.8 Notificación de cambio de filtro

La notificación de cambio de filtro se activa cada seis meses.

"change fliter" se ilumina.

**Nota:** Si aumenta el consumo de agua, la notificación de cambio de filtro se activa antes.

### Desactivar la notificación de cambio de filtro


1. Sustituir el filtro de agua.  
La tapa con bypass no debe sustituirse.
2. Mantener presionado "change fliter" durante 3 segundos.
  - ✓ "change fliter" se apaga.
  - ✓ El estado de cambio del filtro se ha restablecido.

## 8.9 Estado de cambio de filtro

Si se sustituye el filtro antes de que se emita la notificación para cambiarlo, es preciso restablecer el estado de cambio de filtro.

1	Medición del estado de cambio del filtro en curso
0	Restablecer el estado de cambio de filtro

### Restablecer el estado de cambio de filtro

1. Presionar **menu**.
2. Presionar **change filter**.
  - ✓ En el indicador de ajustes del submenú aparece "1".
3. Presionar  (ajuste del submenú).
  - ✓ En el indicador de ajustes del submenú aparece "0".
4. Presionar **menu**.

# 9 Alarma

## 9.1 Alarma de la puerta

Si la puerta permanece abierta durante más tiempo, la alarma de la puerta se activa.  
Suena una señal acústica y "alarm off" parpadea.

### Apagar la alarma de la puerta

- ▶ Cerrar la puerta del aparato o presionar **alarm off**.
- ✓ La señal acústica se apaga.
- ✓ "alarm off" se apaga.


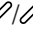
### Alarma acústica de la puerta

La alarma acústica de la puerta puede activarse o desactivarse.


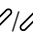
On	Alarma acústica activada
----	--------------------------

OFF	Alarma acústica desactivada
-----	-----------------------------

### Activar la alarma acústica de la puerta

1. Presionar **menu**.
2. Presionar **alarm off**.
3. Presionar / (ajuste del submenú) hasta que el indicador de ajustes del submenú muestre el ajuste deseado.
4. Presionar **menu**.

### Desactivar la alarma acústica de la puerta

1. Presionar **menu**.
2. Presionar **alarm off**.
3. Presionar / (ajuste del submenú) hasta que el indicador de ajustes del submenú muestre el ajuste deseado.
4. Presionar **menu**.

## 9.2 Alarma de temperatura

La alarma de temperatura se activa si la temperatura es demasiado alta.

Suena una señal acústica, parpadean la temperatura ajustada (congelador) y "alarm off".

### PRECAUCIÓN

Las bacterias pueden multiplicarse durante el proceso de descongelación de los alimentos y estos pueden deteriorarse.

- ▶ No volver a congelar los alimentos que se hayan descongelado o empezado a descongelar.
- ▶ Solo después de cocinarlos o freírlos, se podrán volver a congelar.
- ▶ El período máximo de almacenamiento ya no se podrá usar.

La alarma de temperatura puede activarse en los casos siguientes:

- El aparato se pone en funcionamiento.  
No guardar los alimentos hasta que se haya alcanzado la temperatura establecida.
- Se han colocado grandes cantidades de alimentos frescos en el interior.  
Antes de almacenar grandes cantidades de alimentos frescos, activar Supercongelación.
- Al tener abierta durante mucho tiempo la puerta del congelador.  
Comprobar que los alimentos se hayan congelado o descongelado por completo.

### Apagar la alarma de temperatura

- ▶ Presionar **alarm off**.
- ✓ La señal acústica se apaga.
- ✓ En la indicación de temperatura (congelador) se muestra brevemente la temperatura más elevada registrada en el congelador. Seguidamente, la indicación de temperatura (congelador) muestra la temperatura ajustada.
- ✓ A partir de este momento se vuelve a determinar la temperatura más elevada, que queda almacenada.

## 10 Home Connect®

Este aparato es apto para la conexión en red. Conecte su aparato con un dispositivo móvil para manejar las funciones a través de la aplicación Home Connect®.

Los servicios Home Connect® no están disponibles en todos los países. La disponibilidad de la función Home Connect® depende de la disponibilidad de los servicios Home Connect® en su país. Para obtener más información, consulte: [www.home-connect.com](http://www.home-connect.com).

Para poder utilizar Home Connect® establezca primero la conexión con la red doméstica WLAN (Wi-Fi<sup>1</sup>) y con la aplicación Home Connect®.

Después de encender el aparato esperar al menos dos minutos hasta que concluya la inicialización interna del mismo. Solo entonces realice la configuración de Home Connect®.

La aplicación Home Connect® le guiará durante el proceso de registro. Siga las instrucciones y tenga en cuenta las indicaciones de la aplicación Home Connect®.

### Notas

- Debe tener en cuenta las indicaciones de seguridad de este manual de instrucciones y garantizar el cumplimiento de las mismas cuando opere el aparato a través de la aplicación Home Connect®.  
→ "Seguridad", Página 67
- En todo caso, tiene prioridad el manejo desde el propio electrodoméstico. Durante ese tiempo, el manejo del aparato no es posible a través de la aplicación Home Connect®.

### 10.1 Configurar Home Connect®

**Requisito:** En el lugar en que se encuentra, el aparato recibe cobertura de la red doméstica WLAN (Wi-Fi).

1. Escanear el siguiente código QR.





Con el código QR, puede instalarse la aplicación Home Connect® y conectar el aparato.

2. Seguir las instrucciones de la aplicación Home Connect®.

### 10.2 Verificar la intensidad de la señal

La intensidad de la señal debe comprobarse si la conexión no se establece correctamente.

1. Presionar **menu**.
  - ✓ "connect" se ilumina y aparece "Cn" en el indicador del submenú.
2. Presionar repetidamente  /  (submenú) hasta que aparezca "SI" en el indicador del submenú.
  - ✓ El indicador de ajustes del submenú muestra un valor entre "0" (sin cobertura) y "3" (cobertura completa).
3. Presionar **menu**.

**Nota:** El valor de intensidad de la señal debería ser "2" como mínimo.

### Mejorar la cobertura




Si la intensidad de la señal es demasiado baja, puede interrumpirse la conexión.

- ▶ Ejecutar una de las posibles soluciones:
  - Acercar el router y el aparato refrigerador.
  - Asegurarse de que la conexión no está perturbada por paredes con blindaje.
  - Para intensificar la señal, instalar un repetidor.

### 10.3 Instalar la actualización de software de Home Connect

El aparato busca periódicamente actualizaciones para el software Home Connect®.

#### Notas

- Si hay actualizaciones disponibles, aparece "UP" en el indicador del submenú.  
Para cancelar la actualización y restablecer el indicador del submenú a la temperatura ajustada, presionar cualquier casilla táctil.
  - La versión actual del software se encuentra en la aplicación Home Connect®, en la información del aparato correspondiente.
1. Presionar **menu**.
    - ✓ "connect" se ilumina y aparece "Cn" en el indicador del submenú.
  2. Presionar repetidamente  /  (submenú) hasta que aparezca "UP" en el indicador del submenú y "OF" en el indicador de ajustes del submenú.
  3. Presionar  (ajuste del submenú).
    - ✓ Aparece una animación en el indicador de ajustes del submenú.
    - ✓ La actualización se está instalando.
    - ✓ Durante la instalación el panel de control está bloqueado.
    - ✓ Si la instalación se realiza con éxito, aparece "On" en el indicador de ajustes del submenú.
  4. Si aparece "Er" en el indicador de ajustes del submenú, significa que el aparato no ha podido instalar la actualización.

<sup>1</sup> Wi-Fi es una marca registrada de Wi-Fi Alliance.

– Repetir la operación en otro momento.


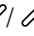
- Si no es posible completar la actualización tras varios intentos, contactar con el Servicio de Asistencia Técnica → *Página 96*.

## 10.4 Restablecer los ajustes de Home Connect®

Si el aparato presenta problemas de conexión con la red inalámbrica doméstica WLAN (Wi-Fi) o si se desea conectarlo a otra red, es posible restablecer los ajustes de Home Connect®.

### 1. Presionar **menu**.

✓ "connect" se ilumina y aparece "Cn" en el indicador del submenú.

2. Presionar repetidamente /  (submenú) hasta que aparezca "rE" en el indicador del submenú y "OF" en el indicador de ajustes del submenú.

3. Presionar  (ajuste del submenú).

✓ El indicador de ajustes del submenú muestra una animación durante unos 15 segundos.

✓ En el indicador de ajustes del submenú aparece "On".

✓ Se han restablecido los ajustes de Home Connect®.

### 4. Presionar **menu**.

## 10.5 Diagnóstico Remoto

El servicio al cliente puede acceder a su aparato a través de Diagnóstico Remoto si usted lo solicita, siempre que su aparato esté conectado al servidor Home Connect® y Diagnóstico Remoto esté disponible para su aparato y país. Para obtener más información sobre la disponibilidad de Diagnóstico Remoto en su país, visite la sección Servicio/Soporte de su sitio web local: [www.home-connect.com](http://www.home-connect.com).

Tenga en cuenta que, aunque el Diagnóstico Remoto puede ayudar a solucionar determinados problemas, puede haber casos en los que sea necesaria una visita de servicio in situ si el problema no puede resolverse de forma remota.

## 10.6 Protección de datos

Tenga en cuenta las indicaciones relativas a la protección de datos.

Al conectar por primera vez su aparato a una red doméstica asociada a Internet, el aparato transmite las siguientes categorías de datos al servidor de Home Connect® (registro inicial):

- Identificación clara del aparato (compuesta por la clave del aparato y la dirección MAC del módulo de comunicación Wi-Fi utilizado).
- Certificado de seguridad del módulo de comunicación Wi-Fi (para la protección técnica de la información de la conexión).
- Las versiones actuales del software y del hardware del electrodoméstico.
- El estado de un posible restablecimiento previo a los ajustes de fábrica.

El registro inicial prepara la utilización de las funciones Home Connect® y solo es necesario la primera vez que se vayan a utilizar dichas funciones Home Connect®.

**Nota:** Se debe tener en cuenta que las funciones Home Connect® solo se pueden utilizar en conexión con la aplicación Home Connect®. Se puede consultar la información relativa a la protección de datos en la aplicación Home Connect®.

## 11 Compartimiento de refrigeración

En el compartimiento de refrigeración, se pueden almacenar productos lácteos, huevos, platillos preparados, productos de panadería, conservas abiertas y quesos curados.

La temperatura puede ajustarse de 33 °F (1 °C) a 43 °F (6 °C).

En el compartimiento de refrigeración, también se pueden conservar alimentos perecederos a corto y medio plazo. Cuanto más baja sea la temperatura seleccionada, más tiempo se mantienen frescos los alimentos.

### 11.1 Consejos para el almacenamiento de alimentos en el compartimiento de refrigeración

- Guardar únicamente alimentos frescos y en perfecto estado.
- Almacenar los alimentos envasados herméticamente o tapados adecuadamente.
- No colocar los alimentos delante de las aberturas de ventilación interiores ni en contacto directo con el panel posterior para no perjudicar la circulación de aire y evitar que se congelen los alimentos.
- Dejar enfriar los alimentos y bebidas calientes.
- Deben observarse las fechas de caducidad o de consumo preferente señaladas por los fabricantes.

### 11.2 Zonas de frío del compartimiento de refrigeración

El sistema de refrigeración con recirculación hace circular el aire de forma homogénea por el compartimiento de refrigeración y garantiza una temperatura constante en todos los estantes.

#### La zona más fría

La zona más fría del compartimiento está en el cajón deslizante.

**Consejo** Almacenar los alimentos perecederos (p. ej., pescados, embutidos y carnes) en el compartimiento de almacenamiento frío.

→ *"Compartimento fresco", Página 83*

## 12 Compartimento fresco

En el compartimento de almacenamiento frío, la comida se mantiene en buen estado más tiempo que en el compartimento de refrigeración.

La temperatura puede ajustarse de 29 °F (-2 °C) a 40 °F (4 °C) usando los ajustes de almacenamiento predefinidos.

La baja temperatura y la humedad del aire óptima del compartimento de almacenamiento frío garantizan unas condiciones ideales para conservar comida que se echa a perder fácilmente.

### 12.1 Recomendaciones de almacenamiento en el compartimento de almacenamiento frío

Ajuste de almacenamiento	Alimentos
29°F ◊	Carne, pescado y mariscos
32°F ◊	Verduras, almacenamiento mixto de fruta y verdura, embutidos, quesos y productos lácteos
32°F ◊◊	Verduras
34°F ◊	Bebidas
40°F ◊	Aperitivos y otros

**Consejo** La fruta, las verduras, las bebidas y los aperitivos pueden congelarse por debajo de 32 °F (0 °C). Utilizar el ajuste de almacenamiento **29°F ◊** solo para carne y pescado.

## 13 Congelador

En el congelador, es posible guardar productos ultracongelados, congelar alimentos y preparar cubitos de hielo.

La temperatura puede ajustarse de 6 °F (-14 °C) a -7 °F (-22 °C).

El almacenamiento de alimentos durante largos periodos de tiempo deberá efectuarse a una temperatura de 0 °F (-18 °C) o inferior.

Los alimentos perecederos pueden almacenarse congelados durante mucho tiempo. Las bajas temperaturas ralentizan o detienen su deterioro.

### 13.1 Consejos para colocar los alimentos en el congelador

- Almacenar los alimentos en envases herméticos.
- Los alimentos congelados no deben entrar en contacto con los alimentos frescos que se desean congelar.
- Distribuir uniformemente los alimentos en el recipiente suspendido para productos congelados.

### 13.2 Consejos para congelar alimentos frescos

- Congelar solo alimentos frescos y en perfectas condiciones.
- Congelar alimentos en porciones.
- Los alimentos preparados son más adecuados que los alimentos crudos.
- Lavar, trocear y escaldar la verdura antes de congelarla.
- Lavar la fruta, retirar los huesos, y si así se desea, pelarla antes de congelarla; dado el caso, se le puede añadir azúcar o una solución de ácido ascórbico.
- Algunos alimentos apropiados para congelar son el pan y la bollería, el pescado, el marisco, la carne, la caza, las aves, los huevos sin cáscara, el queso, la mantequilla, el requesón, los platos precocinados y los restos de comida.
- Algunos alimentos no apropiados para congelar son las lechugas, los rabanitos, los huevos con cáscara, las uvas, las manzanas o peras crudas, los yogures, la nata agria o fresca y la mayonesa.

### Envasado de los productos congelados

Utilizar el tipo y el material de embalaje adecuados permite conservar significativamente la calidad de los productos y evitar que se quemen por congelación.

1. Introducir los alimentos en el embalaje previsto para tal efecto.
2. Eliminar todo el aire que pudiera haber en el envase.
3. Envasar los alimentos herméticamente para que no se deshidraten ni pierdan su sabor.
4. Marcar los envases, indicando su contenido y la fecha de congelación.

### 13.3 Métodos de descongelación para productos congelados

#### PRECAUCIÓN

Las bacterias pueden multiplicarse durante el proceso de descongelación de los alimentos y estos pueden deteriorarse.

- ▶ No volver a congelar los alimentos que se hayan descongelado o empezado a descongelar.
- ▶ Solo después de cocinarlos o freírlos, se podrán volver a congelar.
- ▶ El período máximo de almacenamiento ya no se podrá usar.
- Descongelar en el compartimento de refrigeración los alimentos de origen animal, como el pescado, la carne, el queso o el requesón.
- Descongelar el pan a temperatura ambiente.
- Preparar los alimentos de consumo inmediato en el microondas, en el horno o en las placas de cocción.

## 14 Sistema de agua

El aparato tiene componentes que conducen agua. El sistema de agua solo funciona si hay instalado un filtro de agua o una tapa con bypass. Desconectar la producción de cubitos de hielo antes de desconectar el aparato de la toma de agua. → *Página 86*

### 14.1 Filtro de agua

El filtro de agua filtra las partículas del agua y el sabor a cloro. El filtro de agua reduce otros tipos de impurezas, como la cloramina, el plomo y los productos farmacéuticos.

**Nota:** El filtro de agua no filtra bacterias ni microbios del agua.

Sustituir el filtro de agua:

- cada 6 meses.
- si se enciende "change fliter".
- si se aprecia que se agota el dispensador de agua.
- si se aprecia que se agota la producción de cubitos de hielo.

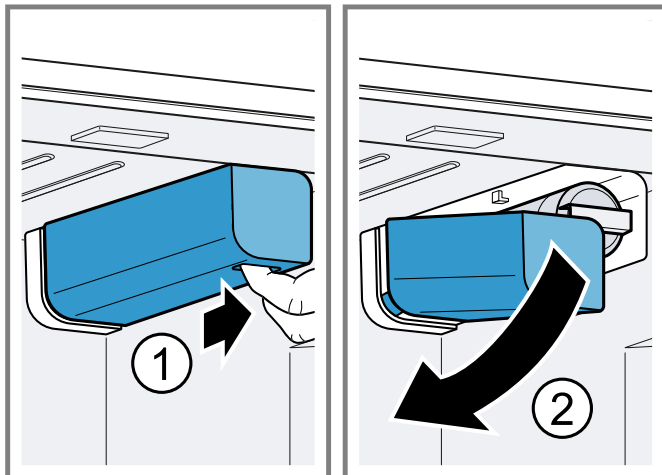
#### Recomendaciones

- Se puede obtener un nuevo filtro de agua a través de nuestro servicio de atención al cliente, de su distribuidor o en nuestra página web.
- Si no se desea utilizar un filtro de agua en el aparato o se tiene instalado un sistema de filtro de agua exterior, es posible reemplazar para siempre el filtro de agua por una tapa con bypass.

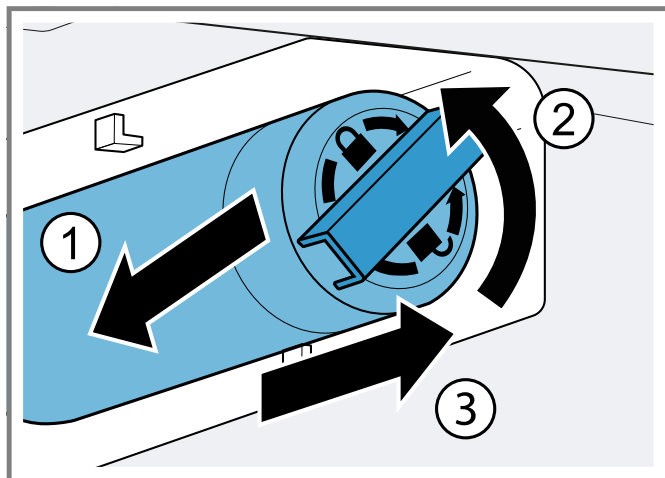
La tapa con bypass solo filtra partículas gruesas del agua y puede limpiarse en caso sea necesario. Puede obtener una tapa con bypass a través de nuestro Servicio de atención al cliente o en nuestra página web.

#### Sustituir el filtro de agua o reemplazarlo por una tapa con bypass

1. Agarrar la muesca ubicada debajo de la cubierta del filtro ①, desplazarla suavemente hacia adelante y plegarla hacia abajo a la izquierda ②.



2. Doblar el filtro de agua hacia abajo a la izquierda ①, girarlo 90° en sentido antihorario ② y retirarlo ③.
  - Retirar con cuidado el filtro de agua, ya que puede estar bajo presión.



**Nota:** Goteará un poco de agua al retirar el filtro. Eliminar el agua que ha goteado con un paño seco.

**Consejo** El filtro de agua usado se puede desechar con la basura del hogar.

3. Empujar el nuevo filtro de agua o la tapa con bypass en la apertura del filtro hasta el tope, girarlo 90° en sentido horario hasta el tope y doblarlo hacia arriba a la derecha.
4. Plegar la cubierta del filtro hacia arriba a la derecha y empujar hacia atrás hasta el tope.
5. Desechar los cubitos de hielo que se hayan producido en las primeras 24 horas y desechar el agua que salga durante cinco minutos.

### 14.2 Notificación de cambio de filtro

La notificación de cambio de filtro se activa cada seis meses. "change fliter" se ilumina.

**Nota:** Si aumenta el consumo de agua, la notificación de cambio de filtro se activa antes.

#### Desactivar la notificación de cambio de filtro


1. Sustituir el filtro de agua.
  - La tapa con bypass no debe sustituirse.
2. Mantener presionado "change fliter" durante 3 segundos.
  - ✓ "change fliter" se apaga.
  - ✓ El estado de cambio del filtro se ha restablecido.

### 14.3 Estado de cambio de filtro

Si se sustituye el filtro antes de que se emita la notificación para cambiarlo, es preciso restablecer el estado de cambio de filtro.

- |   |   |
|---|---|
| 1 | Medición del estado de cambio del filtro en curso |
|---|---|

### Restablecer el estado de cambio de filtro

1. Presionar **menu**.
2. Presionar **change filter**.
  - ✓ En el indicador de ajustes del submenú aparece "1".
3. Presionar  (ajuste del submenú).
  - ✓ En el indicador de ajustes del submenú aparece "0".
4. Presionar **menu**.

## 14.4 Dispensador de agua

El dispensador permite servir agua fría.

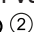
### Poner en funcionamiento el dispensador de agua

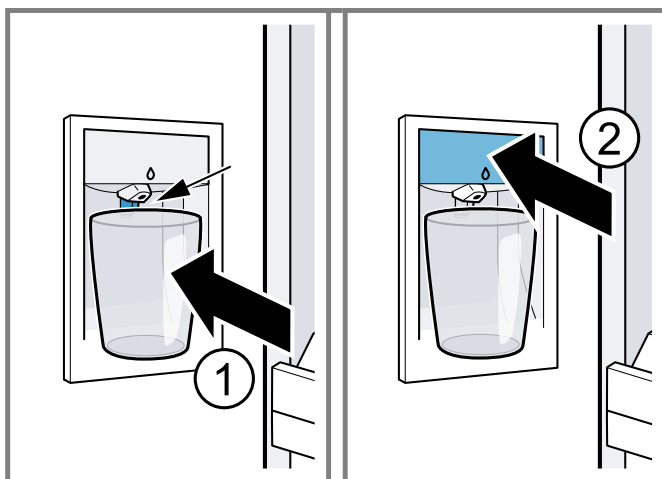
**Nota:** Tras conectar el aparato o insertar un nuevo filtro de agua, hay aire en el sistema de agua.

**Requisito:** El aparato está conectado a la toma de agua potable.

1. Dejar correr el agua hasta que no quede ninguna burbuja de aire.  
Eliminar las salpicaduras de agua con un paño seco.
2. Por motivos de higiene, extraer el agua durante cinco minutos y desecharla.

### Extracción de agua

- ▶ Presionar el vaso contra el interruptor de extracción ① o mantener el vaso bajo el dispensador de agua y presionar  ②.



### Notas

- Después de un tiempo de extracción continuada, el dispensador de agua se detiene. Para volver a dispensar agua, esperar un par de segundos.
- Después de varias extracciones sucesivas, el dispensador de agua se detiene. Para volver a dispensar agua, esperar un par de minutos.

## 14.5 Fabricador de cubitos de hielo

Utilizar el fabricante de cubitos hielo para fabricar cubitos.

### ADVERTENCIA

Las piezas giratorias pueden causar lesiones.

- ▶ No colocar nunca las manos debajo o en el interior del fabricante de cubitos de hielo.

**Nota:** El fabricante de cubitos de hielo detecta automáticamente que el depósito para cubitos de hielo está lleno y detiene la fabricación.

El depósito de cubitos de hielo puede tardar hasta 48 horas en llenarse.

### Recomendaciones

- Se puede acelerar la producción de cubitos de hielo ajustando una temperatura más baja en el congelador o activando Supercongelación. Esto aumenta ligeramente el consumo de energía.
- Si los cubitos de hielo tienen un sabor extraño, desechar los cubitos restantes y todos los que se produzcan en las siguientes 24 horas. Si, después de tomar esta medida, los cubitos siguen teniendo un sabor extraño, sustituir el filtro del agua.

### Poner en marcha el fabricante de cubitos de hielo

#### Notas

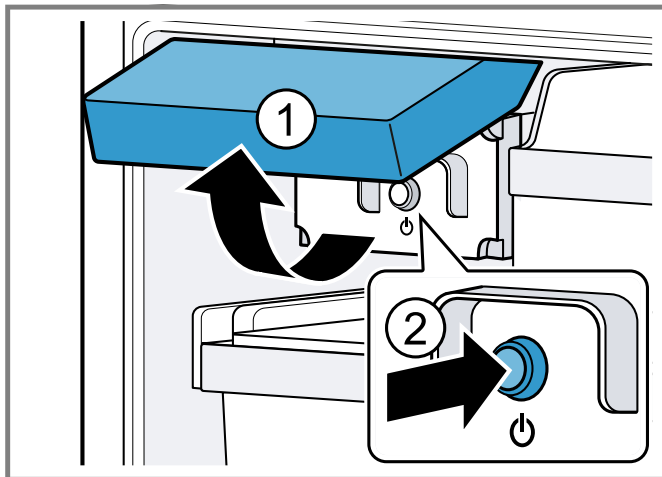
- La producción de cubitos de hielo se inicia en cuanto el aparato está encendido y el congelador alcanza la temperatura establecida.
- En cuanto el congelador haya alcanzado la temperatura establecida, se habrá finalizado la primera producción de cubitos de hielo al cabo de aproximadamente 4 horas.

**Requisito:** El aparato está conectado a la toma de agua potable.

- ▶ Por motivos de higiene, desechar los cubitos de hielo que se hayan producido en las primeras 24 horas.

### Activar la producción de cubitos de hielo

- ▶ Plegar hacia arriba la tapa del fabricante de cubitos de hielo ① y presionar el sensor del fabricante de cubitos de hielo ②.

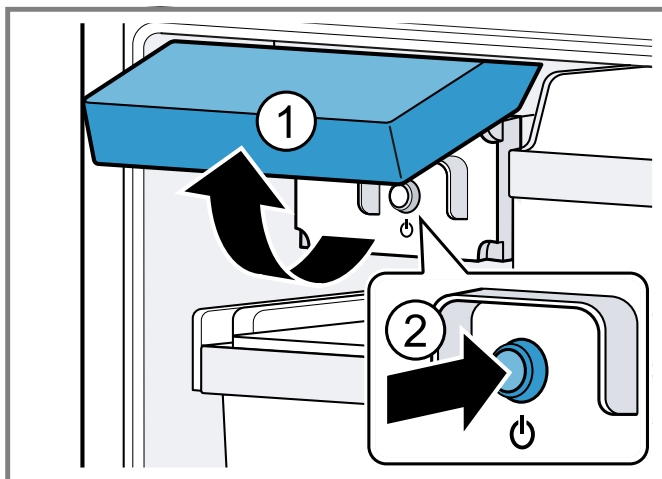


- ✓ El sensor del fabricante de cubitos de hielo se ilumina.

**Nota:** Si se mantiene presionado el sensor del fabricante de cubitos de hielo durante tres segundos, se restablece el estado del cambio de filtro.

### Desactivar la producción de cubitos de hielo

- ▶ Plegar hacia arriba la tapa del fabricante de cubitos de hielo ① y presionar el sensor del fabricante de cubitos de hielo ②.



- ✓ El sensor del fabricante de cubitos de hielo se apaga.

**Nota:** Si se mantiene presionado el sensor del fabricante de cubitos de hielo durante tres segundos, se restablece el estado del cambio de filtro.

## 15 Descongelación

### 15.1 Desescarchar el compartimiento de refrigeración

El compartimiento de refrigeración del aparato se desescarcha automáticamente.

### 15.2 Descongelar en el compartimiento de almacenamiento frío

El compartimiento de almacenamiento frío del aparato se desescarcha automáticamente.

### 15.3 Descongelación dentro del congelador

Gracias al sistema totalmente automático «NoFrost», no se genera escarcha en el congelador. No es necesario descongelarlo.

## 16 Limpieza y cuidados

**Nota:** La declaración de garantía limitada del producto cubre los defectos de materiales y mano de obra. La limpieza y el mantenimiento no están cubiertos por la garantía y se aplicará un recargo. Para más información, véase la declaración de garantía limitada del producto.

### 16.1 Preparar el aparato para su limpieza

1. Apagar el aparato. → *Página 78*
2. Desenchufar el aparato de la red eléctrica.  
Extraer el enchufe del cable de conexión de red o quitar el fusible de la caja de fusibles.
3. Retirar los alimentos y guardarlos en un lugar fresco.  
Colocar acumuladores de frío directamente sobre los alimentos, si se dispone de ellos.
4. Retirar todos los elementos adicionales y accesorios del aparato. → *Página 87*
5. Desmontar los carriles telescópicos. → *Página 89*
6. Desmontar la placa de vidrio del compartimiento de refrigeración. → *Página 90*
7. Desmontar la tapa del compartimiento de almacenamiento frío. → *Página 91*

### 16.2 Limpiar el aparato

#### ⚠ ADVERTENCIA

La penetración de humedad puede causar una descarga eléctrica.

- ▶ No utilizar limpiadores por chorro de vapor ni de alta presión para limpiar el aparato.

#### AVISO:

Los productos de limpieza inadecuados pueden dañar la superficie del aparato.

- ▶ No utilizar estropajos ni esponjas de fibra dura.

- ▶ No utilizar agentes agresivos ni abrasivos.
- ▶ No utilizar productos de limpieza con un alto contenido de alcohol.
- ▶ No utilizar limpiadores específicos para acero inoxidable en el exterior del aparato.

Si se lavan los elementos y accesorios del aparato en el lavavajillas, estos podrían deformarse o decolorarse.

- ▶ No lavar nunca los elementos y accesorios del aparato en el lavavajillas.

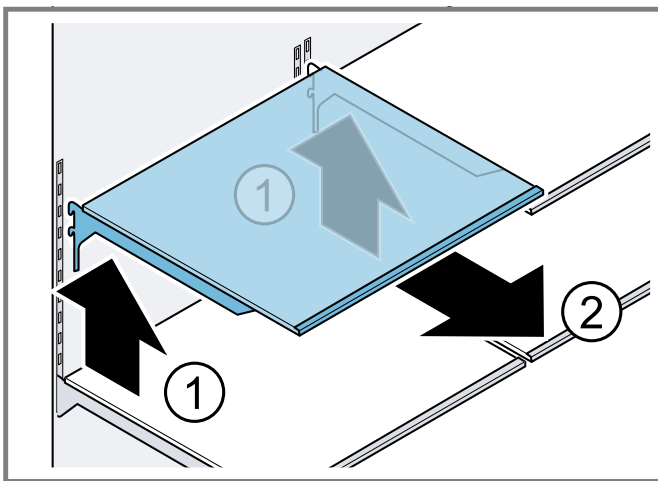
1. Preparar el aparato para su limpieza. → *Página 86*
2. Limpiar el exterior y el interior del aparato, los elementos adicionales, los accesorios y las juntas de la puerta con un paño de cocina, agua templada y un poco de jabón de pH neutro.
3. Secar completamente con un paño suave y seco.
4. Colocar los accesorios y montar las piezas desmontables del aparato.
5. Conectar el aparato a la red eléctrica. → *Página 71*
6. Encender el aparato. → *Página 77*
7. Introducir alimentos.

### 16.3 Retirar elementos del aparato

Si se desea limpiar a fondo los elementos del aparato, será necesario quitarlos.

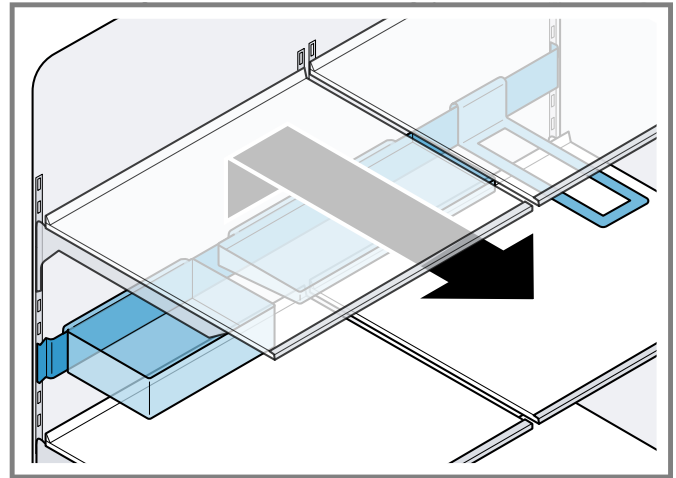
#### Retirar las bandejas

- ▶ Levantar ① la bandeja y extraerla ②.



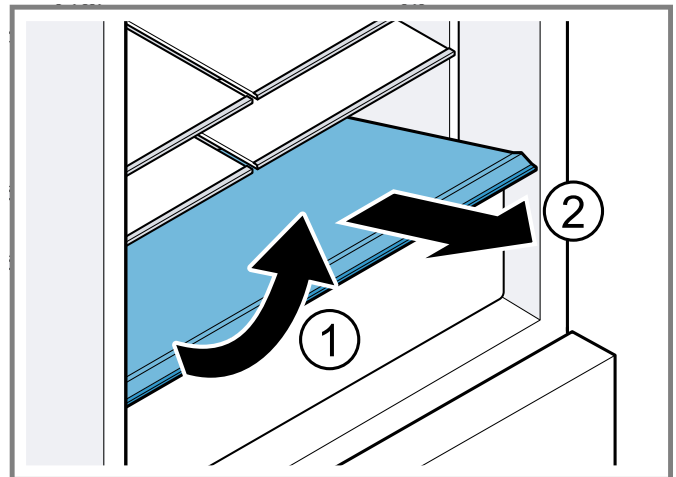
#### Extraer la barra de equipamiento

- ▶ Levantar y extraer la barra de equipamiento.



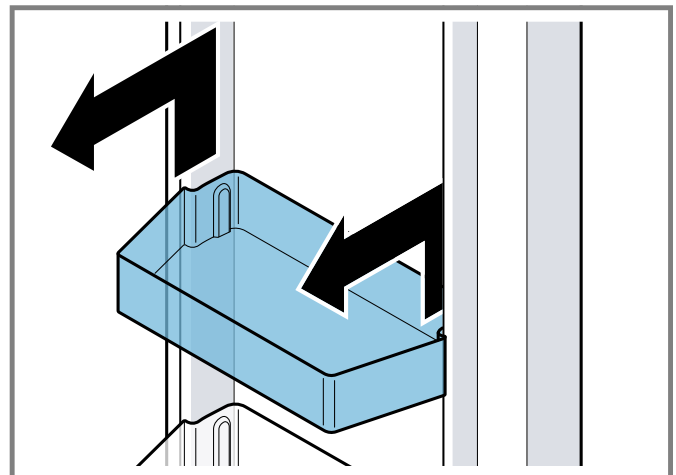
#### Retirar las bandejas fijas

1. Sacar el cajón deslizante.
2. Levantar por delante la bandeja fija ① y extraerla ②.



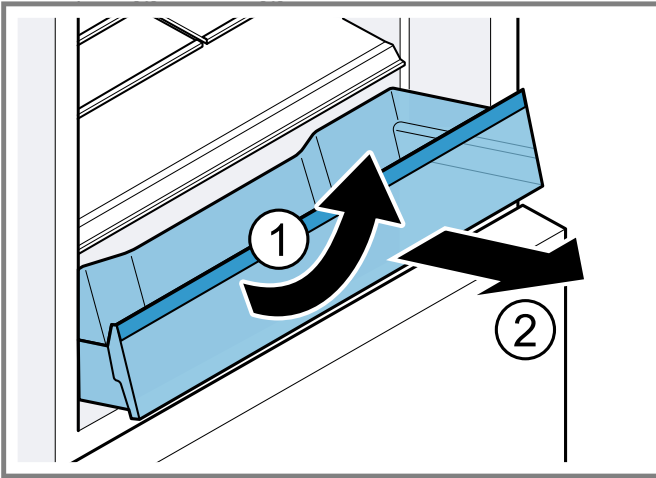
#### Retirar el botellero de puerta

- ▶ Levantar y extraer el botellero.



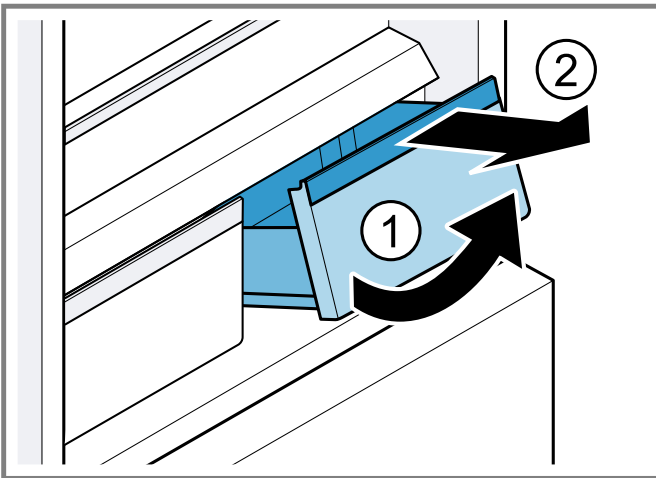
### Retirar el cajón deslizable

1. Jalar hacia afuera el cajón deslizable hasta el tope.
2. Levantar ① el cajón deslizable por la parte delantera y retirarlo ②.



### Extraer el compartimiento de almacenamiento frío

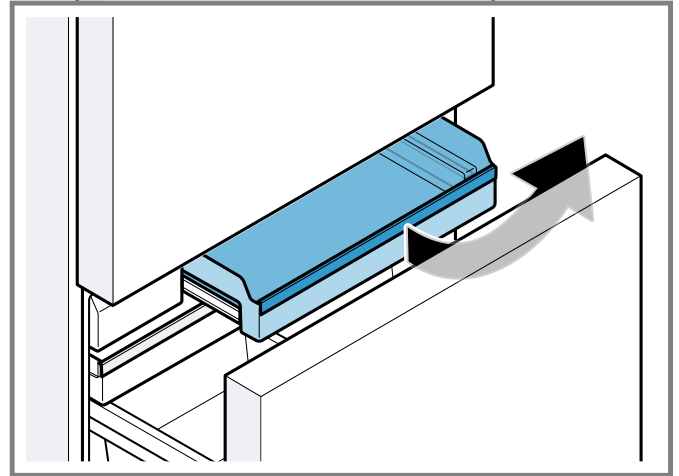
1. Desplazar el compartimiento de almacenamiento frío hasta el tope.
2. Levantar el compartimiento de almacenamiento frío por delante ① y extraerlo ②.



### Retirar el cajón deslizable de productos congelados

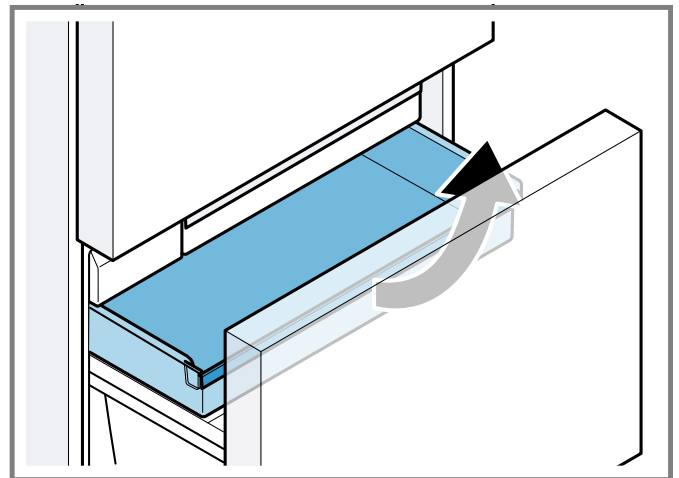
1. Extraer hasta el tope el cajón deslizable de productos congelados.

2. Levantar el cajón deslizable de productos congelados por delante y retirarlo.



### Retirar el compartimiento de congelación plano

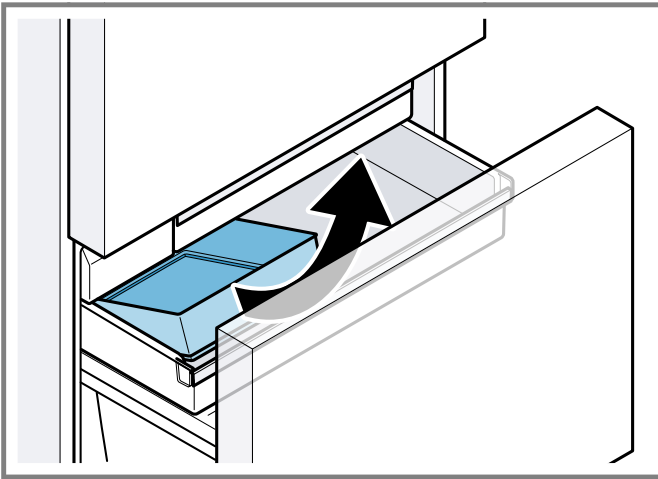
1. Sacar el compartimiento de congelación plano hasta el tope.
2. Levantar el compartimiento de congelación plano por delante y retirarlo.



### Extraer el depósito para cubitos de hielo

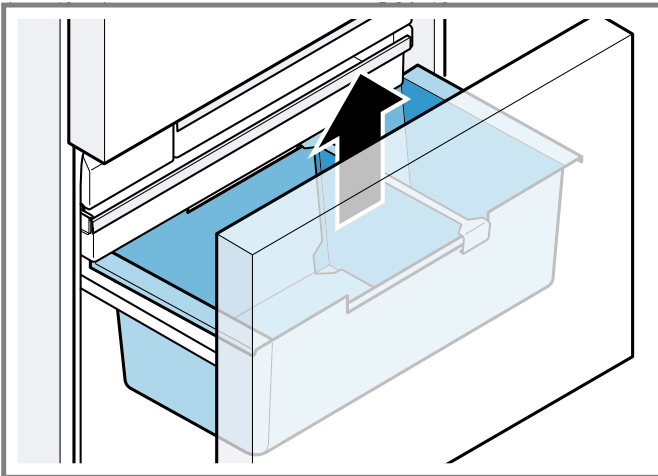
1. Sacar el compartimiento de congelación plano hasta el tope.

2. Levantar el depósito para cubitos de hielo por delante y extraerlo.



### Retirar el recipiente suspendido para productos congelados

- Retirar hacia arriba el recipiente suspendido para productos congelados.



## 16.4 Desmontar los componentes del aparato

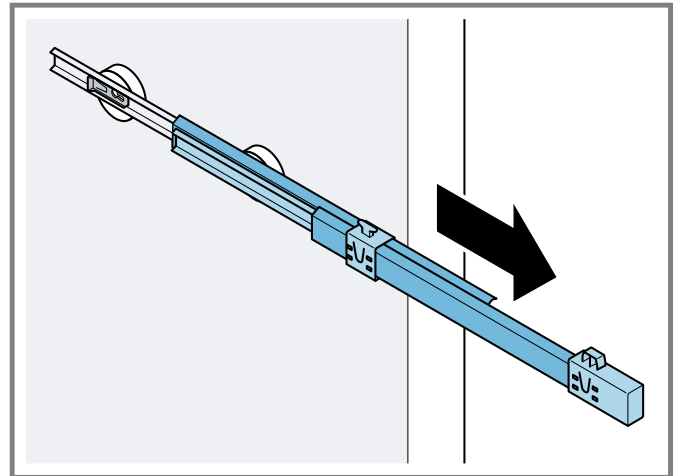
Si se desea limpiar el aparato a fondo, es posible desmontar algunos componentes del aparato.

### Raíles telescópicos

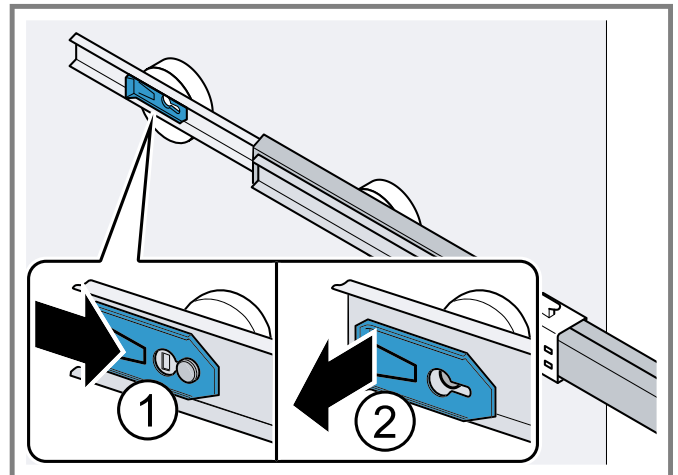
Para limpiar a fondo los raíles telescópicos, es posible desmontarlos.

### Desmontar los raíles telescópicos

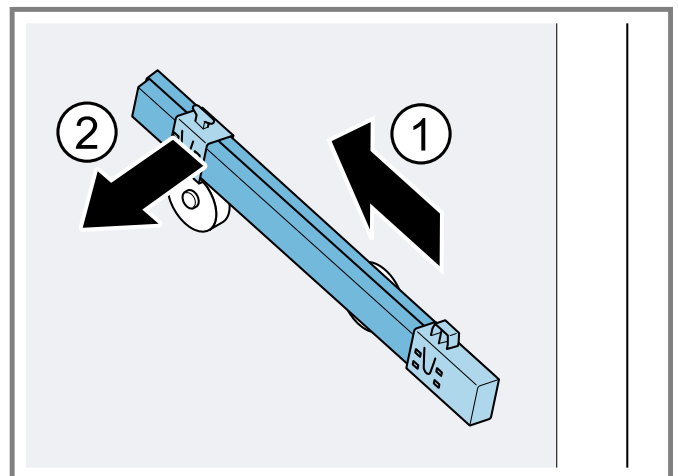
1. Extraer el raíl telescópico.



2. Desplazar el bloqueo en la dirección que marca la flecha ① y soltarlo del perno ②.

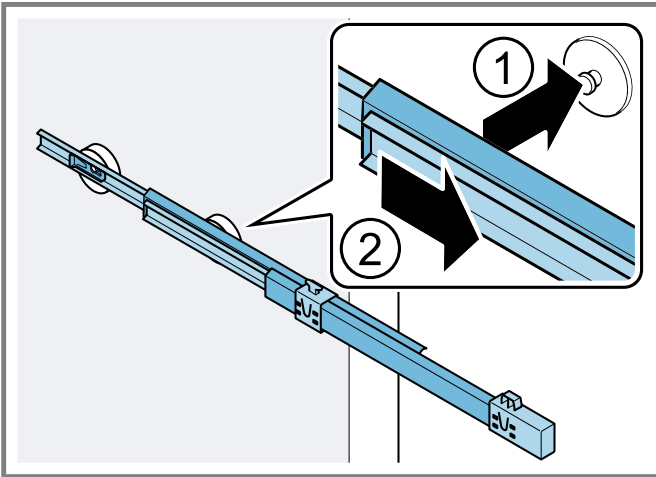


3. Replegar el raíl telescópico.
4. Desplazar el raíl telescópico hacia atrás por encima del perno posterior ① y desenclavarlo ②.

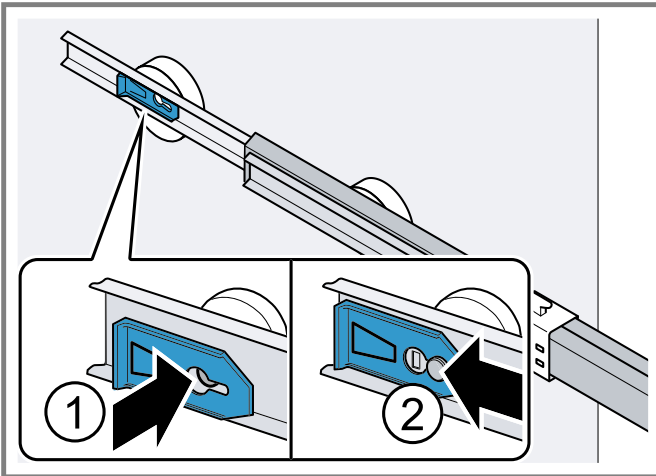


### Montar los raíles telescópicos

1. Montar el raíl telescópico en posición desplegada sobre el perno delantero ① y jalar ligeramente hacia delante para encajarlo ②.



2. Montar el raíl telescópico en el perno posterior ① y desplazar el bloqueo hacia atrás ②.

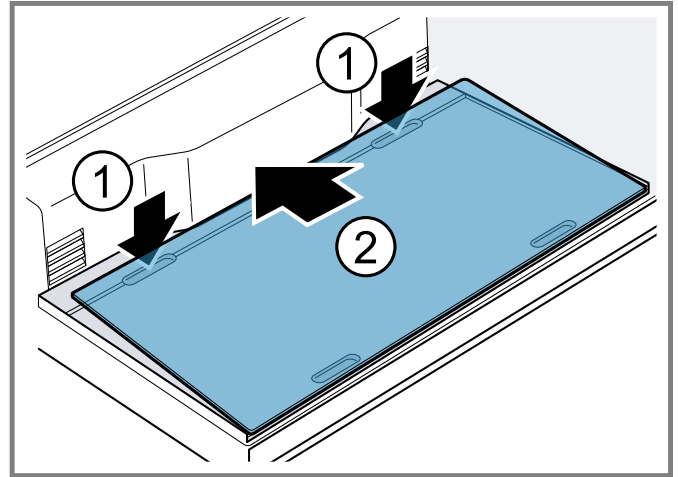


### Placa de vidrio del compartimiento de refrigeración

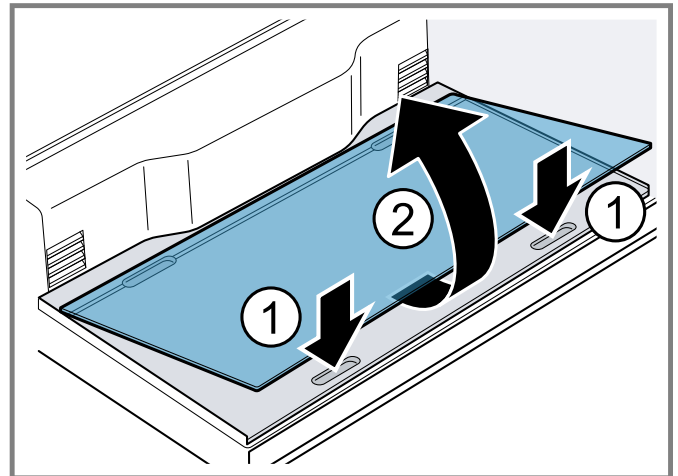
Es posible desmontar la placa de vidrio del compartimiento de refrigeración para poder limpiarla a fondo.

### Desmontar la placa de vidrio del compartimiento de refrigeración

1. Asir las dos hendiduras de la parte posterior de la base del compartimiento frigorífico y levantar la placa de vidrio ①. Deslizar hacia atrás la placa de vidrio del compartimiento frigorífico ②.

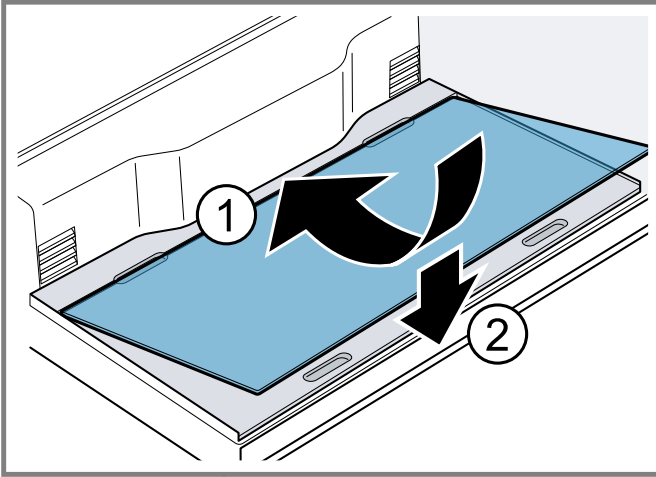


2. Asir ① las dos hendiduras de la parte delantera de la base del compartimiento frigorífico y levantar la placa de vidrio para extraerla ②.



### Montar la placa de vidrio de compartimiento de refrigeración

- ▶ Colocar la placa de vidrio del compartimiento frigorífico sobre la base del compartimiento ①, por la parte trasera, y presionarla hacia abajo ②.

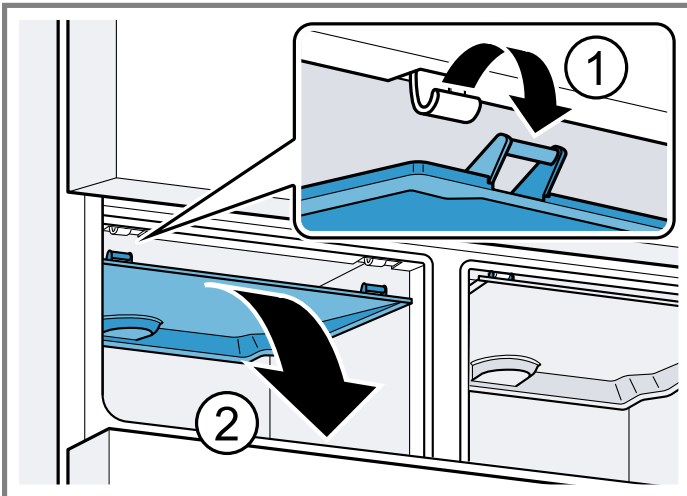


### Tapa del compartimiento de almacenamiento frío

Para limpiar a fondo la tapa del compartimiento de almacenamiento frío, es posible desmontarla.

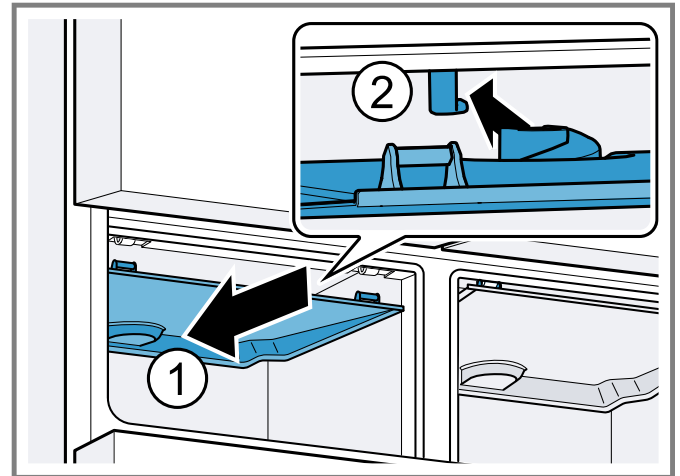
#### Desmontar la tapa del compartimiento de almacenamiento frío

1. Extraer el compartimiento de almacenamiento frío.
2. Desencajar ① y retirar ② el compartimiento de almacenamiento frío.

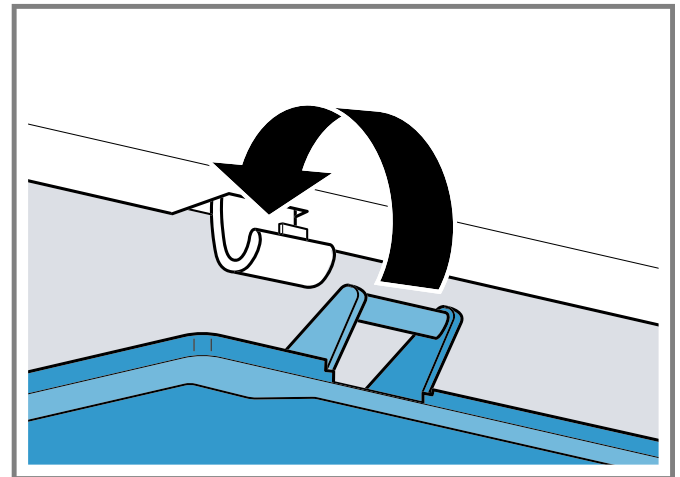


### Montar la tapa del compartimiento de almacenamiento frío

1. Deslizar simétricamente la tapa del compartimiento de almacenamiento frío hacia atrás ① y engancharla ②.



2. Desencajar la tapa del compartimiento de almacenamiento frío.



3. Montar el compartimiento de almacenamiento frío.

## 17 Solucionar pequeñas averías

Usted mismo puede solucionar los errores menores de su aparato. Lea la información acerca de cómo solucionar los errores antes de contactar con Atención al Cliente. Así podrá evitar costos de reparación innecesarios.

### ADVERTENCIA

Para evitar riesgos de lesiones derivadas de reparaciones inadecuadas, se recomienda seguir las siguientes indicaciones.

- ▶ Únicamente los técnicos especialistas o los proveedores de servicios autorizados deben llevar a cabo reparaciones.

- ▶ Solo se pueden utilizar repuestos originales para reparar el aparato.
- ▶ Si el cable de conexión de red o el cable de conexión de este aparato resulta dañado, debe ser sustituido por un cable especial de conexión de red o por un cable especial de conexión para este aparato que puede obtenerse a través del fabricante o de su servicio de atención al cliente.

Falla	Causas y resolución de problemas
El aparato no enfría; los paneles indicadores y la iluminación interior se iluminan.	<p>El modo de exposición está activado.</p> <ol style="list-style-type: none"> <li>1. Mantener presionado <b>alarm off</b> durante 15 segundos hasta que suenen tres señales acústicas.                             <ul style="list-style-type: none"> <li>✓ La iluminación de los paneles de control y la iluminación interior se apagan brevemente.</li> <li>✓ "alarm off" parpadea y suena una señal acústica.</li> </ul> </li> <li>2. Presionar <b>alarm off</b>.</li> <li>3. Al cabo de un breve período de tiempo, cerciorarse de que el aparato enfría.</li> </ol>
La iluminación LED no funciona.	<p>Son posibles diferentes causas.</p> <ul style="list-style-type: none"> <li>▶ Ponerse en contacto con el Servicio de atención al cliente. → "Servicio de atención al cliente", <i>Página 96</i></li> </ul>
La frecuencia y duración de la conexión del compresor aumenta.	<p>El aparato se ha abierto con frecuencia.</p> <ul style="list-style-type: none"> <li>▶ No se debe abrir la puerta del aparato innecesariamente.</li> </ul> <p>Las aberturas de ventilación exteriores están cubiertas.</p> <ul style="list-style-type: none"> <li>▶ Se debe eliminar la causa de la obstrucción de las aberturas de ventilación exteriores.</li> </ul> <p>No se trata de un error. Las máquinas de refrigeración modernas se encienden con más frecuencia y tienen distintos niveles de potencia para refrigerar con más eficacia.</p> <ul style="list-style-type: none"> <li>▶ Se debe eliminar la causa de la obstrucción de las aberturas de ventilación exteriores.</li> <li>▶ Colocar el aparato con la mayor distancia posible respecto a resistencias, hornos y otras fuentes de calor. Evitar la exposición prolongada del aparato a la radiación solar directa.</li> <li>▶ No mantener abierta la puerta del aparato más de lo necesario.</li> <li>▶ Dejar enfriar los alimentos y bebidas calientes antes de guardarlos.</li> </ul>
Se forma una capa de escarcha en la pared trasera del compartimento de refrigeración.	<p>No se trata de un error. Las máquinas de refrigeración modernas garantizan una temperatura más uniforme en el compartimento de refrigeración. La placa posterior del compartimento de refrigeración se descongela automáticamente a intervalos regulares.</p> <ul style="list-style-type: none"> <li>▶ No mantener abierta la puerta del aparato más de lo necesario.</li> <li>▶ Envasar la comida de forma hermética o cubrirla.</li> <li>▶ Dejar enfriar los alimentos y bebidas calientes antes de guardarlos.</li> <li>▶ Dejar siempre algo de espacio entre la comida y las paredes interiores.</li> </ul>
Home Connect® no funciona correctamente.	<p>Son posibles diferentes causas.</p> <ul style="list-style-type: none"> <li>▶ Acceder a <a href="http://www.home-connect.com">www.home-connect.com</a>.</li> </ul>

Falla	Causas y resolución de problemas
En la indicación de temperatura se muestra "E" o "d".	<p>El sistema electrónico ha detectado una falla.</p> <ol style="list-style-type: none"> <li>1. Apagar el aparato. → <i>Página 78</i></li> <li>2. Desconectar el aparato de la red eléctrica. Extraer el enchufe del cable de conexión de red o desconectar el fusible de la caja de fusibles.</li> <li>3. Volver a conectar el aparato tras cinco minutos.</li> <li>4. Encender el aparato. → <i>Página 77</i></li> <li>5. Si la indicación vuelve a aparecer, avisar al Servicio de Atención al Cliente. → <i>"Servicio de atención al cliente", Página 96</i></li> </ol>
<p>Suena una señal acústica y "alarm off" parpadea.</p> <p>La alarma de la puerta está activada.</p>	<p>La puerta del aparato está abierta.</p> <ul style="list-style-type: none"> <li>▶ Cerrar la puerta del aparato.</li> </ul>
<p>Suena la señal acústica, parpadean el indicador de temperatura (congelador) y "alarm off".</p> <p>La alarma de temperatura está activada.</p>	<p>Son posibles diferentes causas.</p> <ol style="list-style-type: none"> <li>1. Presionar <b>alarm off</b>.</li> </ol> <ul style="list-style-type: none"> <li>✓ La alarma se desactiva.</li> </ul> <ol style="list-style-type: none"> <li>2. Comprobar tras unas horas que el congelador ha vuelto a alcanzar la temperatura establecida.</li> </ol> <hr/> <p>Las aberturas de ventilación exteriores están cubiertas.</p> <ul style="list-style-type: none"> <li>▶ Se debe eliminar la causa de la obstrucción de las aberturas de ventilación exteriores.</li> </ul> <hr/> <p>Se han introducido grandes cantidades de alimentos frescos en el interior.</p> <ul style="list-style-type: none"> <li>▶ Activar Supercongelación antes de introducir una cantidad de alimentos grande. → <i>"Activar Supercongelación", Página 78</i></li> </ul>
<p>La temperatura difiere considerablemente del valor seleccionado.</p>	<p>Son posibles diferentes causas.</p> <ol style="list-style-type: none"> <li>1. Apagar el aparato. → <i>Página 78</i></li> <li>2. Volver a encender el aparato tras unos 5 minutos. → <i>Página 77</i> <ul style="list-style-type: none"> <li>– Si la temperatura es demasiado alta, volver a comprobarla al cabo de unas pocas horas.</li> <li>– Si la temperatura es demasiado baja, volver a comprobarla al día siguiente.</li> </ul> </li> </ol>
<p>Sale agua del aparato.</p>	<p>La conexión o la manguera de alimentación de agua tiene fugas.</p> <ul style="list-style-type: none"> <li>▶ Comprobar que las conexiones a la toma de agua estén firmemente apretadas y la manguera de agua se encuentre en buen estado.</li> </ul> <p>En caso necesario, cambiar la manguera de agua.</p>
<p>El dispensador de agua se reduce.</p>	<p>La presión del agua es demasiado baja.</p> <ul style="list-style-type: none"> <li>▶ Comprobar la presión de agua del dispositivo de suministro de agua o del sistema de filtro de agua exterior, p. ej., el sistema de ósmosis inversa. Conectar a una toma de agua con suficiente presión. → <i>Página 70</i></li> </ul> <hr/> <p>El filtro de agua está obstruido.</p> <ul style="list-style-type: none"> <li>▶ Sustituir el filtro de agua. → <i>Página 84</i></li> </ul>
<p>Se registran fugas de agua en forma de gotas en el dispensador de agua.</p>	<p>Hay aire en el sistema de agua.</p> <ul style="list-style-type: none"> <li>▶ Retirar el agua hasta que no quede aire.</li> </ul>
<p>El dispensador de agua no funciona.</p>	<p>No hay alimentación de agua.</p> <ul style="list-style-type: none"> <li>▶ Asegurarse de que haya alimentación de agua disponible y de que la válvula de cierre de la toma de agua esté abierta.</li> </ul> <p>En caso necesario, ponerse en contacto con un instalador.</p> <hr/> <p>Hay una doblez en la manguera de agua.</p> <ul style="list-style-type: none"> <li>▶ Apagar el suministro de agua y rectificar la doblez de la manguera de agua.</li> </ul>

Falla	Causas y resolución de problemas
El dispensador de agua no funciona.	En caso necesario, cambiar la manguera de agua.
La producción de cubitos de hielo es baja.	<p>El aparato está conectado.</p> <ul style="list-style-type: none"> <li>▶ Esperar aprox. 4 horas hasta que finalice la primera producción de cubitos de hielo.</li> </ul>
	<p>El congelador se ha abierto con frecuencia o se ha mantenido abierto durante un periodo prolongado.</p> <ul style="list-style-type: none"> <li>▶ Comprobar la producción de cubitos de hielo tras unas horas.</li> </ul>
	<p>La presión del agua es demasiado baja.</p> <ul style="list-style-type: none"> <li>▶ Comprobar la presión de agua del dispositivo de suministro de agua o del sistema de filtro de agua exterior, p. ej., el sistema de ósmosis inversa.</li> </ul> <p>Conectar a una toma de agua con suficiente presión. → <i>Página 70</i></p>
	<p>El filtro de agua está obstruido.</p> <ul style="list-style-type: none"> <li>▶ Sustituir el filtro de agua. → <i>Página 84</i></li> </ul>
	<p>Hay alimentos u objetos que bloquean el sensor de nivel de llenado del fabricante de cubitos de hielo.</p> <ul style="list-style-type: none"> <li>▶ Retirar todos los alimentos y objetos del depósito para cubitos de hielo.</li> </ul>
	<p>Falla en el fabricante de cubitos de hielo.</p> <ol style="list-style-type: none"> <li>1. Apagar el aparato. → <i>Página 78</i></li> <li>2. Desconectar el aparato de la red eléctrica. Extraer el enchufe del cable de conexión de red o desconectar el fusible de la caja de fusibles.</li> <li>3. Volver a conectar el aparato tras cinco minutos.</li> <li>4. Encender el aparato. → <i>Página 77</i></li> <li>5. Si la falla persiste, avisar al Servicio de atención al cliente. → <i>Página 96</i></li> </ol>
El fabricante de cubitos de hielo no funciona.	<p>La producción de cubitos de hielo está desactivada.</p> <ul style="list-style-type: none"> <li>▶ Encender la producción de cubitos de hielo. → <i>Página 86</i></li> </ul>
	<p>No hay alimentación de agua.</p> <ul style="list-style-type: none"> <li>▶ Asegurarse de que haya alimentación de agua disponible y de que la válvula de cierre de la toma de agua esté abierta.</li> </ul> <p>En caso necesario, ponerse en contacto con un instalador.</p>
	<p>Hay una doblez en la manguera de agua.</p> <ul style="list-style-type: none"> <li>▶ Apagar el suministro de agua y rectificar la doblez de la manguera de agua.</li> </ul> <p>En caso necesario, cambiar la manguera de agua.</p>
	<p>Falla en el fabricante de cubitos de hielo.</p> <ol style="list-style-type: none"> <li>1. Apagar el aparato. → <i>Página 78</i></li> <li>2. Desconectar el aparato de la red eléctrica. Extraer el enchufe del cable de conexión de red o desconectar el fusible de la caja de fusibles.</li> <li>3. Volver a conectar el aparato tras cinco minutos.</li> <li>4. Encender el aparato. → <i>Página 77</i></li> <li>5. Si la falla persiste, avisar al Servicio de atención al cliente. → <i>Página 96</i></li> </ol>
El aparato suena, burbujea, traquetea o emite zumbidos, chasquidos, crujidos o ruidos de agua en movimiento.	<p>No se trata de una falla. Hay un motor en marcha (compresores, ventilador). Fluye refrigerante a través de los tubos. El motor, los interruptores, las electroválvulas o las válvulas de agua se conectan o desconectan. Se ejecuta el desescarchado automático. Los cubitos de hielo caen en el depósito para cubitos de hielo. No es necesario realizar ninguna acción.</p>
El aparato hace ruidos.	<p>El aparato está colocado en posición desnivelada.</p> <ul style="list-style-type: none"> <li>▶ Nivelar el aparato con la ayuda de un nivel de burbuja y de las patas atornilladas.</li> </ul>

Falla	Causas y resolución de problemas
El aparato hace ruidos.	El aparato no está libre. ▶ Mantener las distancias mínimas del aparato.
	Los elementos del aparato se tambalean o se quedan atascados. ▶ Comprobar los elementos extraíbles y, en caso necesario, volver a introducirlos.
	Las botellas o recipientes entran en contacto mutuo. ▶ Separar las botellas o recipientes entre sí.
	La función Supercongelación está activada. No es necesario realizar ninguna acción.

## 17.1 Interrupción del suministro eléctrico

Al producirse un corte en el suministro eléctrico, la temperatura del aparato aumenta, lo que reduce el tiempo de almacenamiento y afecta a la calidad de los productos congelados.

### Notas

- Durante el corte de suministro eléctrico, se recomienda abrir el aparato lo menos posible y no guardar nuevos alimentos.

- Al finalizar el corte de suministro eléctrico, es preciso comprobar la calidad de los alimentos.
  - Desechar los productos congelados que se hayan descongelado y estén a temperaturas superiores a los 41 °F (5 °C).
  - Los productos congelados que se hayan descongelado ligeramente se pueden cocinar o calentar ligeramente para su consumo; también es posible volver a congelarlos.

## 17.2 Ejecutar la autocomprobación del aparato

Su aparato dispone de una comprobación automática, que muestra averías que puede subsanar el Servicio de atención al cliente.

1. Apagar el aparato. → *Página 78*
2. Desenchufar el aparato de la red eléctrica.  
Extraer el enchufe del cable de conexión de red o quitar el fusible de la caja de fusibles.
3. Transcurridos 5 minutos, volver a conectar el aparato a la red eléctrica. → *Página 71*
4. Encender el aparato. → *Página 77*
5. En los dos minutos siguientes después del encendido, mantener presionado **menu** durante 10 segundos hasta que suene una señal acústica.
  - ✓ Se inicia la autocomprobación del aparato.
  - ✓ Durante la autocomprobación del aparato suena una larga señal acústica.
  - ✓ Si, al finalizar la autocomprobación del aparato, suenan 2 señales acústicas y aparece la temperatura ajustada en el indicador de temperatura, los sensores de temperatura del aparato funcionan correctamente. El aparato vuelve al modo de funcionamiento normal.
  - ✓ Si, al finalizar la comprobación automática del aparato, suenan 5 señales acústicas y aparece "Er" en el indicador de ajustes del submenú, se deberá avisar al Servicio de atención al cliente.

2. Desenchufar el aparato de la red eléctrica.  
Extraer el enchufe del cable de conexión de red o quitar el fusible de la caja de fusibles.
3. Desconectar el aparato de la toma de agua.
4. Extraer todos los alimentos.
5. Desmontar el filtro de agua. → *Página 84*
6. Limpiar el aparato. → *Página 86*
7. **AVISO:** Los objetos atrapados entre la puerta y la carcasa pueden dañar la bisagra de la puerta.
  - ▶ Abrir la puerta hasta que se quede abierta por sí sola.
  - ▶ No introducir ningún objeto entre la puerta y la carcasa.
 Para asegurar la ventilación del interior del aparato, dejar la puerta abierta.

## 18.2 Eliminación de los aparatos usados

Mediante una eliminación respetuosa con el medio ambiente se pueden reutilizar materias primas valiosas.

### ADVERTENCIA

Los niños pueden quedar encerrados en el aparato y poner así en peligro su vida.

- ▶ Retirar las puertas y los cajones del aparato.
- ▶ Dejar las bandejas y recipientes dentro del aparato para dificultar que los niños puedan acceder al interior del mismo.
- ▶ Mantenga a los niños lejos de los aparatos usados.

## 18 Almacenamiento y eliminación

### 18.1 Interrumpir el funcionamiento del aparato

1. Apagar el aparato. → *Página 78*

**⚠ ADVERTENCIA**

Si las tuberías están dañadas, se puede escapar refrigerante inflamable y gases nocivos, lo que puede provocar un incendio.

- ▶ No dañe las tuberías del circuito de refrigeración y aislamiento.
1. Desenchufar el cable de conexión a la red de la toma de corriente.
  2. Separar el cable de conexión a la red.
  3. Retirar las puertas y los cajones del aparato.
  4. Desechar el aparato de manera respetuosa con el medio ambiente.

Su distribuidor o el ayuntamiento local puede proporcionarle información sobre las vías y posibilidades actuales de desecho de materiales.

**19 Servicio de atención al cliente**

En cada reparación cubierta por la garantía, nos aseguramos de que su aparato sea reparado con repuestos originales por un proveedor de servicio capacitado y autorizado. Solo utilizamos repuestos originales para todos los tipos de reparaciones. Nuestro servicio al cliente le proporcionará piezas de repuesto originales, funcionales y disponibles en inventario hasta 15 años a partir de la fecha de introducción del aparato en el mercado.

Para más información, contactar con nuestro servicio al cliente.

Las informaciones detalladas sobre el periodo de validez de la garantía y las condiciones de garantía las podrá encontrar en nuestras condiciones de garantía, con su distribuido o en nuestra página web.

USA:

1-800-944-2904

[www.bosch-home.com/us/owner-support/get-support](http://www.bosch-home.com/us/owner-support/get-support)

[www.bosch-home.com/us/shop](http://www.bosch-home.com/us/shop)

CA:

1-800-944-2904

[www.bosch-home.ca/en/service/get-support](http://www.bosch-home.ca/en/service/get-support)

[www.bosch-home.ca/en/service/cleaners-and-accessories](http://www.bosch-home.ca/en/service/cleaners-and-accessories)

Aquí podrá encontrar ayuda para la conexión con

Home Connect®:

[www.home-connect.com/us/en/help-support/set-up](http://www.home-connect.com/us/en/help-support/set-up)

**19.1 Número de modelo (E-Nr.) y número de fabricación (FD)**

Si contacta al servicio de atención al cliente, necesita el número de modelo (E-Nr.) y el número de fabricación (FD), que puede encontrar en la placa de características del aparato.

→ "Aparato", Fig. **1/13**, Página 73

Para volver a encontrar rápidamente los datos del aparato o el número de teléfono del servicio de atención al cliente, puede anotar dichos datos.

**20 Datos técnicos**

En la placa de características del aparato figuran el líquido refrigerante empleado, la capacidad útil y otras especificaciones técnicas.

→ "Aparato", Fig. **1/13**, Página 73

**20.1 Informaciones referentes al software libre y de código abierto**

El presente producto contiene componentes de software que están licenciados como software libre y de código abierto por los derechos de autor.

Las informaciones de licencia correspondientes se encuentran memorizadas en el aparato. También se puede acceder a las informaciones de licencia correspondientes a través de la aplicación Home Connect®: «Perfil -> Advertencias legales -> Informaciones de licencia». <sup>1</sup> Puede descargar la información de la licencia también en la página web de la marca del producto. (Por favor, busque el modelo de aparato y demás documentos en la página web del producto). También se pueden solicitar las informaciones correspondientes en [ossrequest@bshg.com](mailto:ossrequest@bshg.com) o BSH Hausgeräte GmbH, Carl-Wery-Str. 34, D-81739 München. El código fuente afectado se pondrá a disposición a pedido.

Por favor, envíe su solicitud a [ossrequest@bshg.com](mailto:ossrequest@bshg.com) o BSH Hausgeräte GmbH, Carl-Wery-Str. 34, D-81739 München.

Asunto: „OSSREQUEST“

Los costos para el trámite de su solicitud le serán facturados. Esta oferta es válida por tres años a partir de la fecha de compra o, como mínimo, por el tiempo en el que ofrecemos asistencia técnica y repuestos para el aparato correspondiente.

<sup>1</sup> Según el equipamiento del aparato









## Register your appliance to enjoy customized benefits.

Thank you for being a Bosch customer!  
Simply create a MyBosch account, then register your appliance.  
You'll find a variety of customized information in MyBosch such as:

- **Discounts for filters, cleaners, accessories & parts**
- **Easy access to manuals & appliance specifications**
- **Easy access to part lists**
- **Customized offer for the Bosch Appliance Service Plan (sent by mail after appliance registration)**

Register here:  
[www.bosch-home.com/us/owner-support/mybosch](http://www.bosch-home.com/us/owner-support/mybosch)

**BOSCH**  
HOME APPLIANCES  
**SERVICE**

## Looking for help? You'll find it here.

No matter what, no matter when: Bosch is here to support you.  
We're here to assist with usage instructions, cleaning tips,  
accessories & parts, troubleshooting, and repairs.  
Find online resources such as FAQs, how-to-videos, manuals,  
warranties and authorized Bosch servicers at:  
[www.bosch-home.com/us/owner-support/get-support](http://www.bosch-home.com/us/owner-support/get-support)

Contact us:  
**Please have your Model Number (E-Nr) ready when contacting us.**  
1-800-944-2904  
[www.bosch-home.com/us/owner-support/contact-us](http://www.bosch-home.com/us/owner-support/contact-us)

**BSH Home Appliances Corporation**  
1901 Main Street, Suite 600  
Irvine, CA 92614  
USA  
[www.bosch-home.com](http://www.bosch-home.com)  
1-800-944-2904  
© 2025 BSH Home Appliances Corporation



**9002010794** (060211)

en-us, fr-ca, es-mx