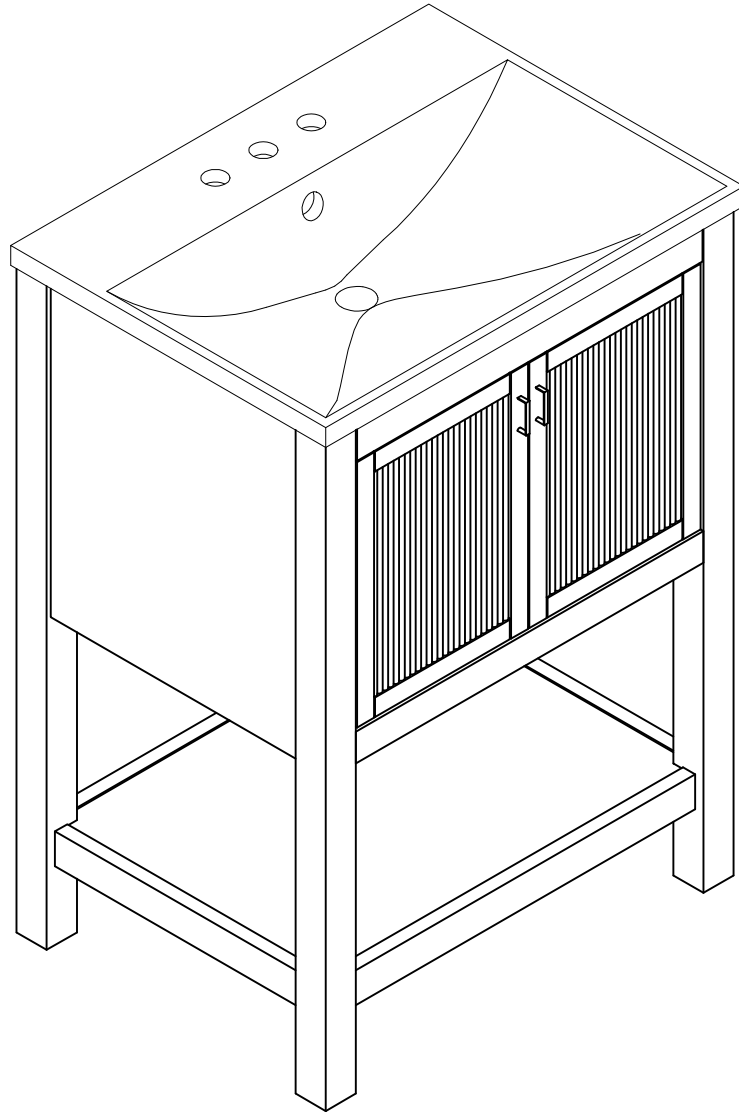


# Assembly Instructions



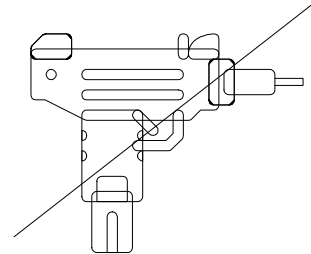
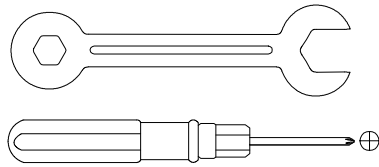
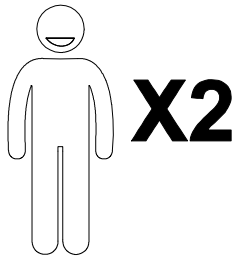
# Contact Us

## We're here to help you.

Your satisfaction is our top priority. If you encounter any issues with this product, such as missing or damaged parts, we're here to help. Please retain the original packaging and take photos of the packaging and the product, then contact us as soon as possible.

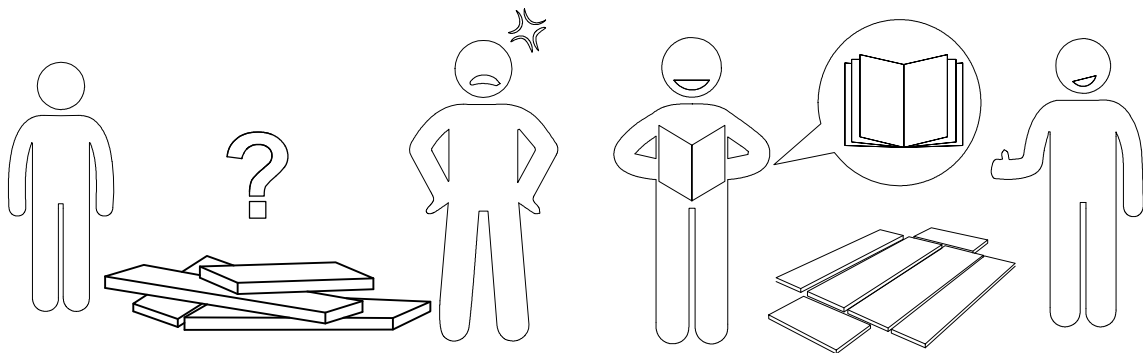
### **Warm Tips**

1. Carefully read these instructions and keep them for future reference.
2. Check the parts list and confirm everything's there before starting assembly.
3. When assembling, put all parts on a soft, smooth surface like a carpet to avoid scratches.
4. Don't fully tighten screws until all parts are confirmed in place to avoid misalignment.



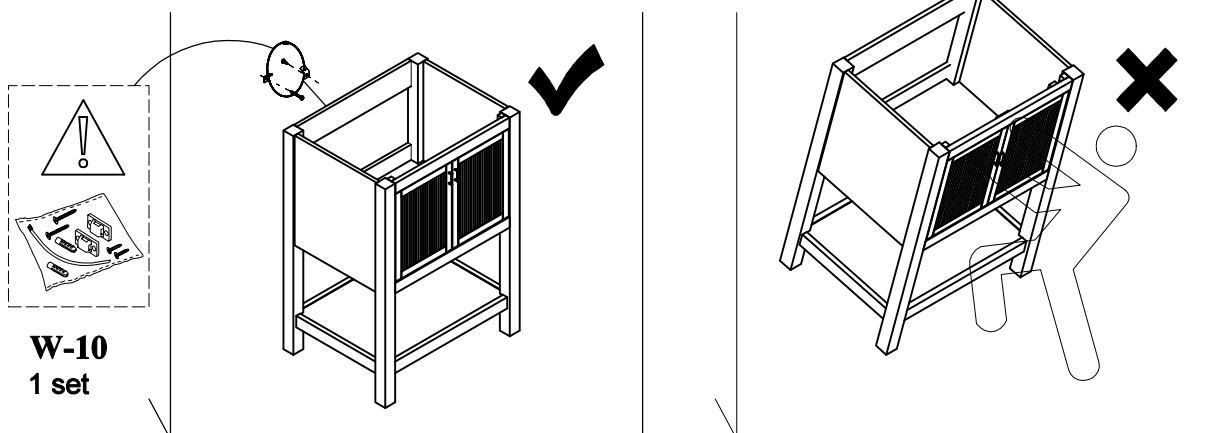
We recommend using hand tools for assembly.

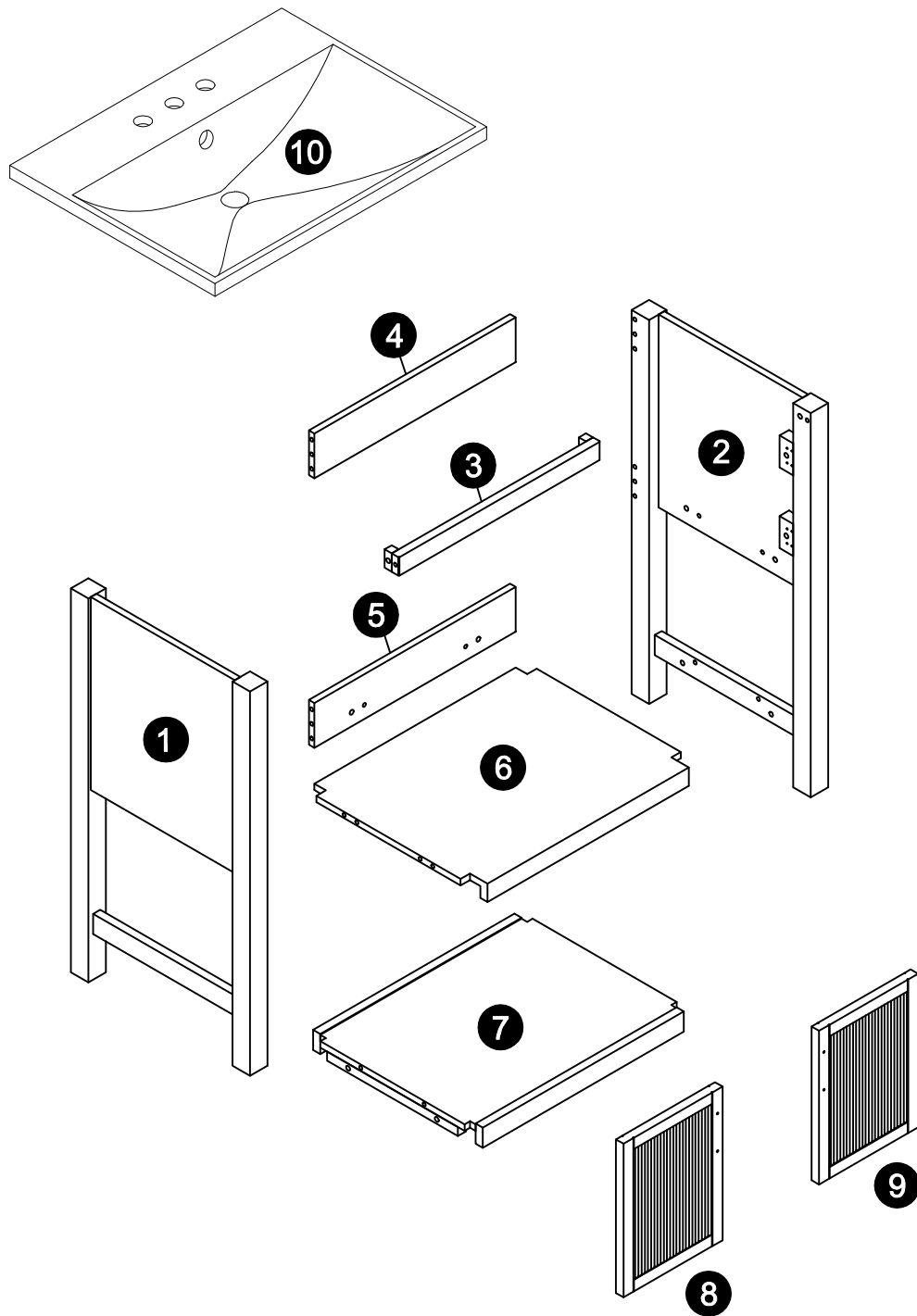
If an electric screwdriver is used, reduce power and torque to avoid damage to the product.



## Install the Anti-Tip Straps

Using the anti-tip straps can reduce the risk of tipping over, but can not eliminate it.

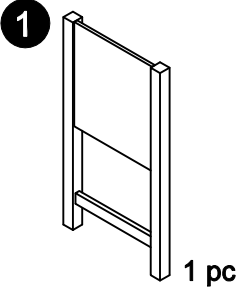
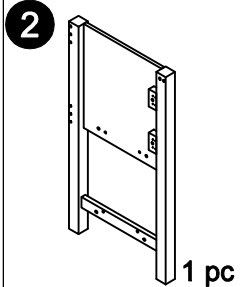
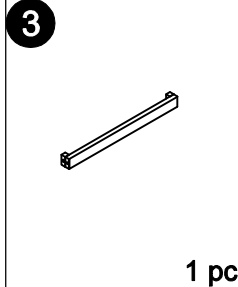
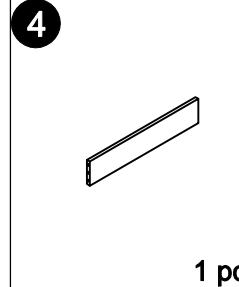
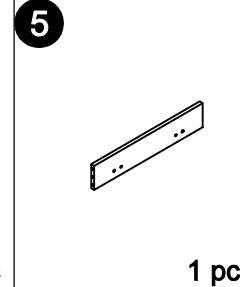
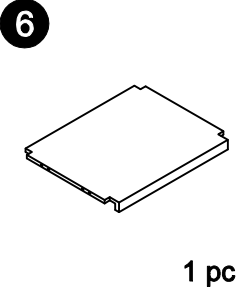
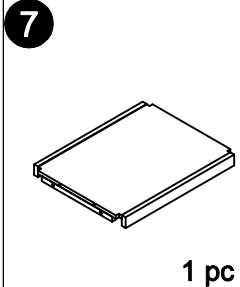
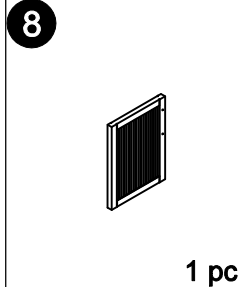
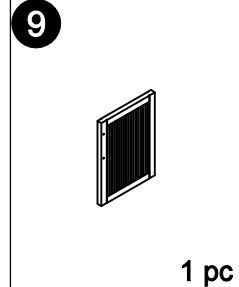
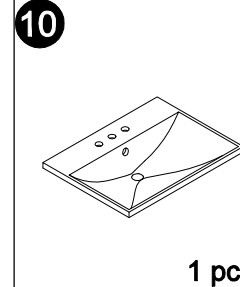






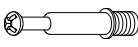

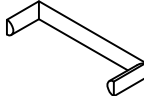
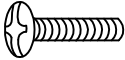
**⚠ Caution**

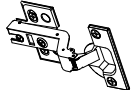
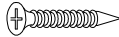

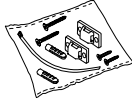

Make sure all parts are included. Most board parts are labeled or stamped on the raw edge. Contact us for a free replacement if you encounter any damaged or missing parts.

# Parts List

 <p>1 pc</p>	 <p>1 pc</p>	 <p>1 pc</p>	 <p>1 pc</p>	 <p>1 pc</p>
 <p>1 pc</p>	 <p>1 pc</p>	 <p>1 pc</p>	 <p>1 pc</p>	 <p>1 pc</p>

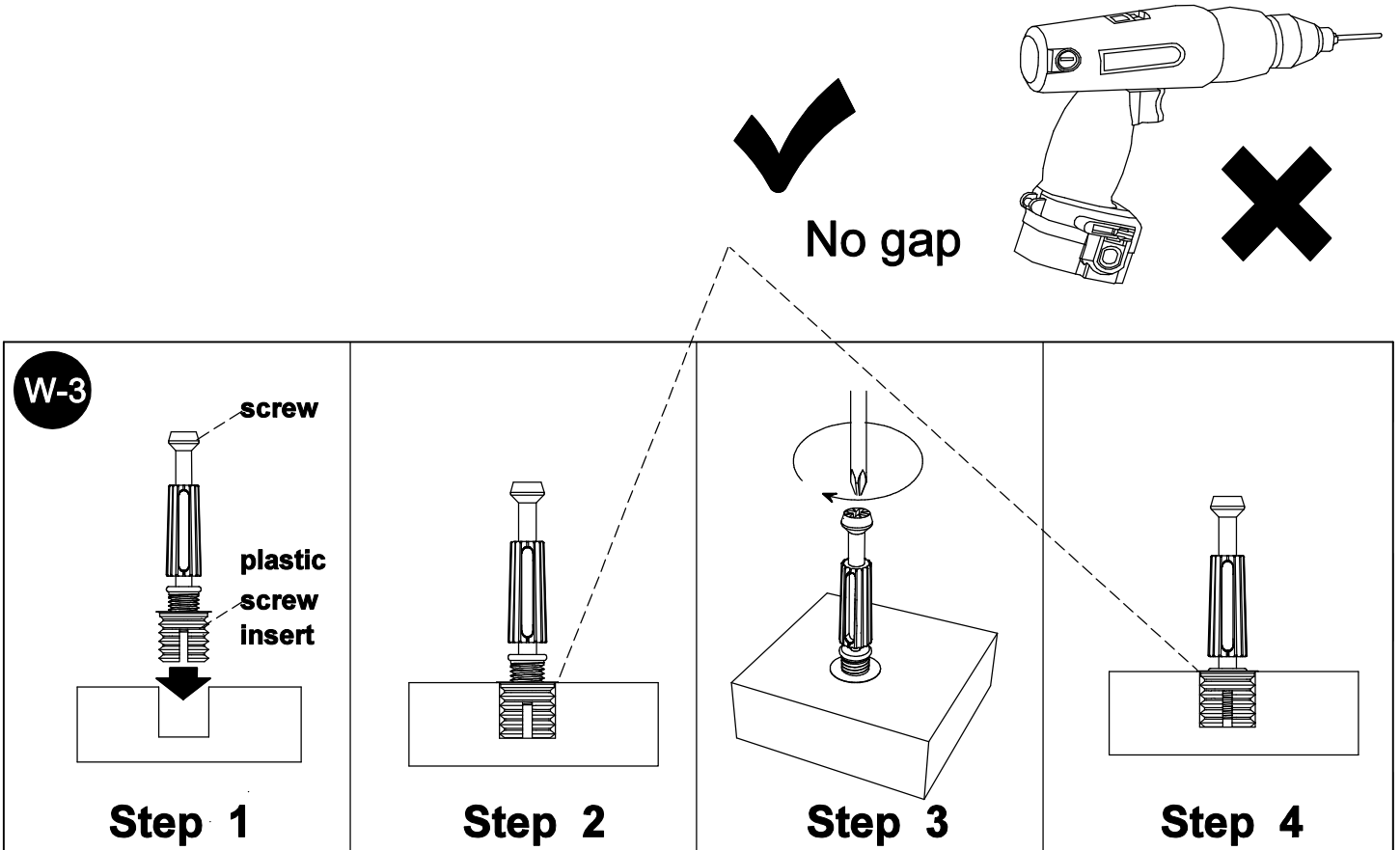
## Hardware List

W-1	W-2	W-3	W-4	W-5	W-6
					
Ø1/4"x28mm	Ø1/4"x16x1mm	Ø6x35mm	Ø14.5x12mm	103x11x25mm	Ø5/32"x25mm
6 pcs	6 pcs	14 pcs	14 pcs	2 pcs	4 pcs

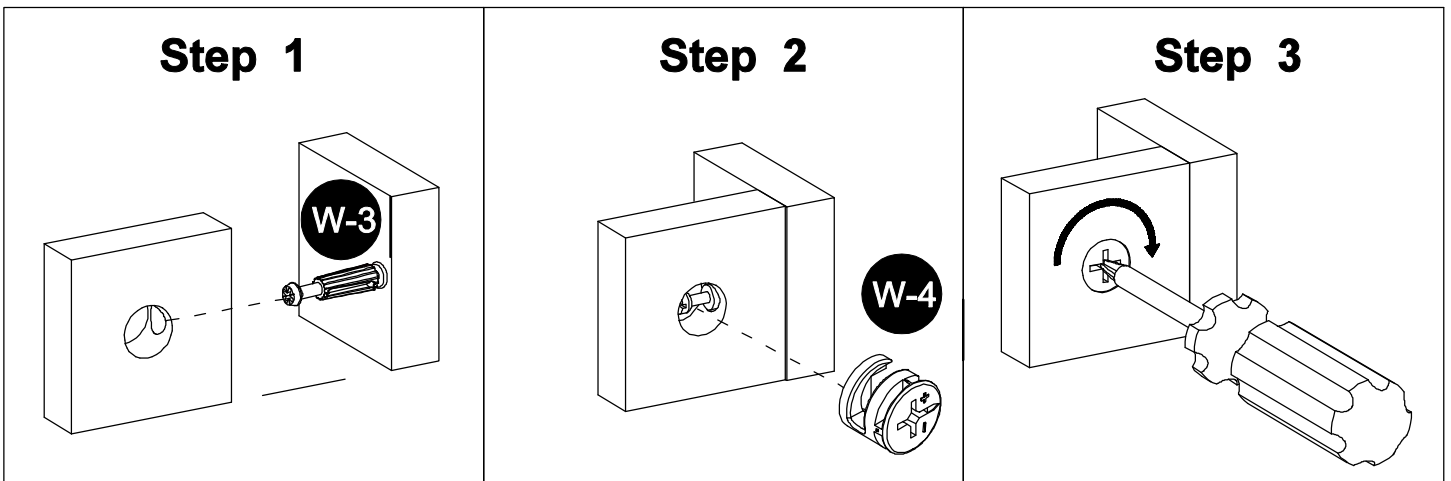
W-7	W-8	W-9	W-10	W-11
				
	Ø7x3.5x12mm	Ø8x30mm		4mm
4 pcs	24 pcs	16 pcs	1 set	1 pc

# Installation of Cams and Pins

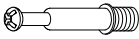
**Step 1-2:** Align the plastic part with the mounting hole and press it in. If you can't press it in, loosen the screw counter clockwise or completely remove the screw from the plastic part and try again.  
**Step 3-4:** After pressing the plastic part into place, use a screwdriver to tighten the screw clockwise.

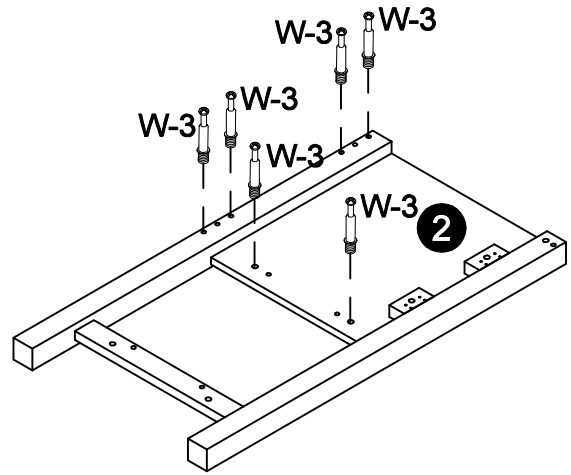
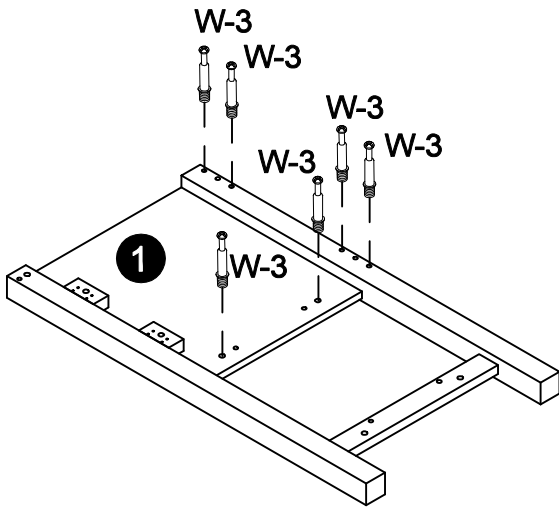


**Screw the pin into the hole. Set the cams correctly by aligning the head of the cams with the lock pins. Lock the cam by turning the cam head with a screwdriver until it is tightened. Please do not use an electric screwdriver to assemble the unit.**

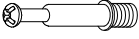




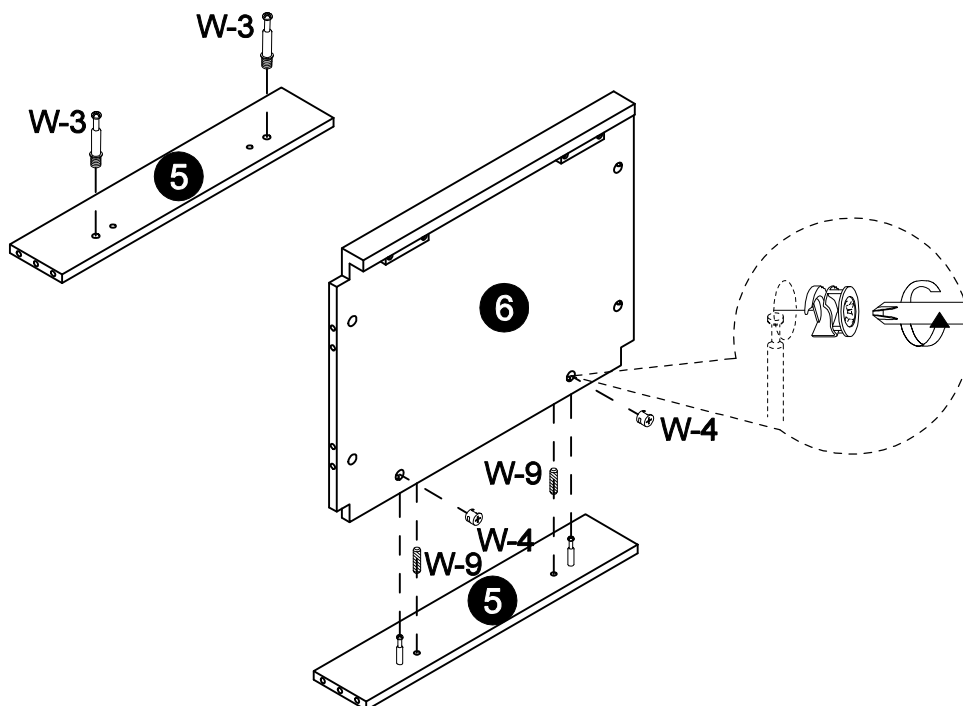
1

W-3

Ø6x35mm
12PCS


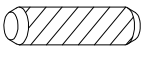


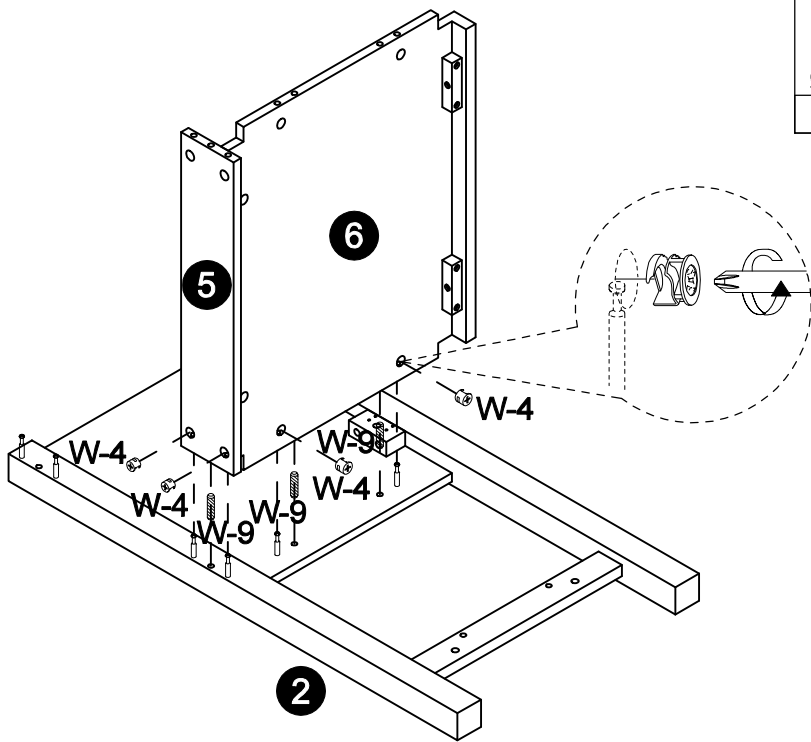
2

W-3	W-4	W-9
		
Ø6x35mm	Ø14.5x12mm	Ø8x30mm
2PCS	2PCS	2PCS




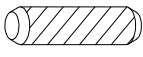



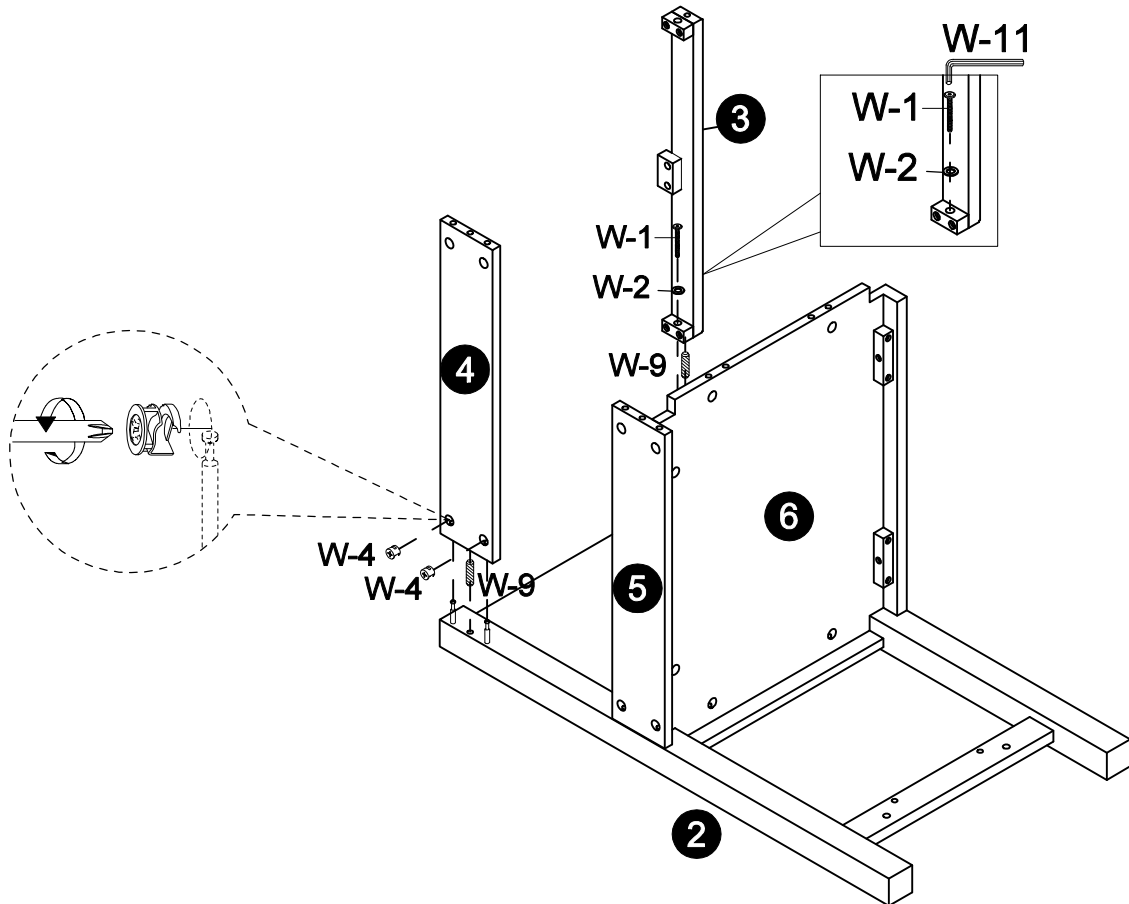
3

W-4	W-9
	
Ø14.5x12mm	Ø8x30mm
4PCS	3PCS



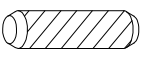



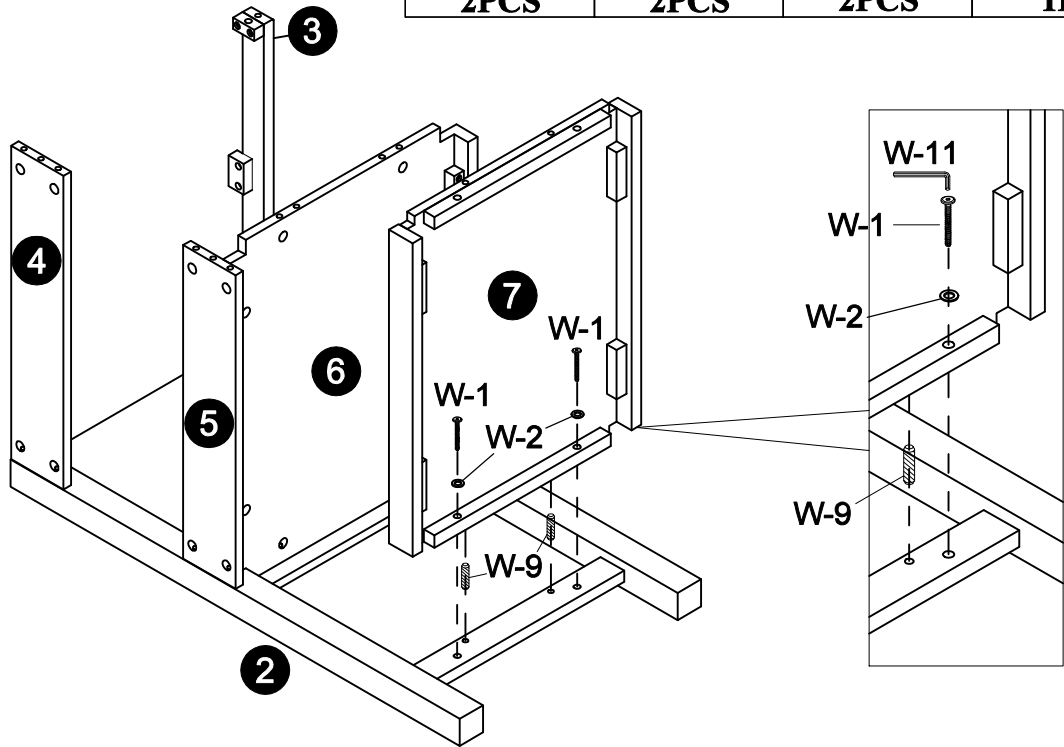
4

W-1	W-2	W-4	W-9	W-11
				
Ø1/4"x28mm	Ø1/4"x16x1mm	Ø14.5x12mm	Ø8x30mm	4mm
1PC	1PC	2PCS	2PCS	1PC



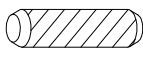
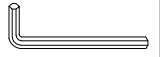


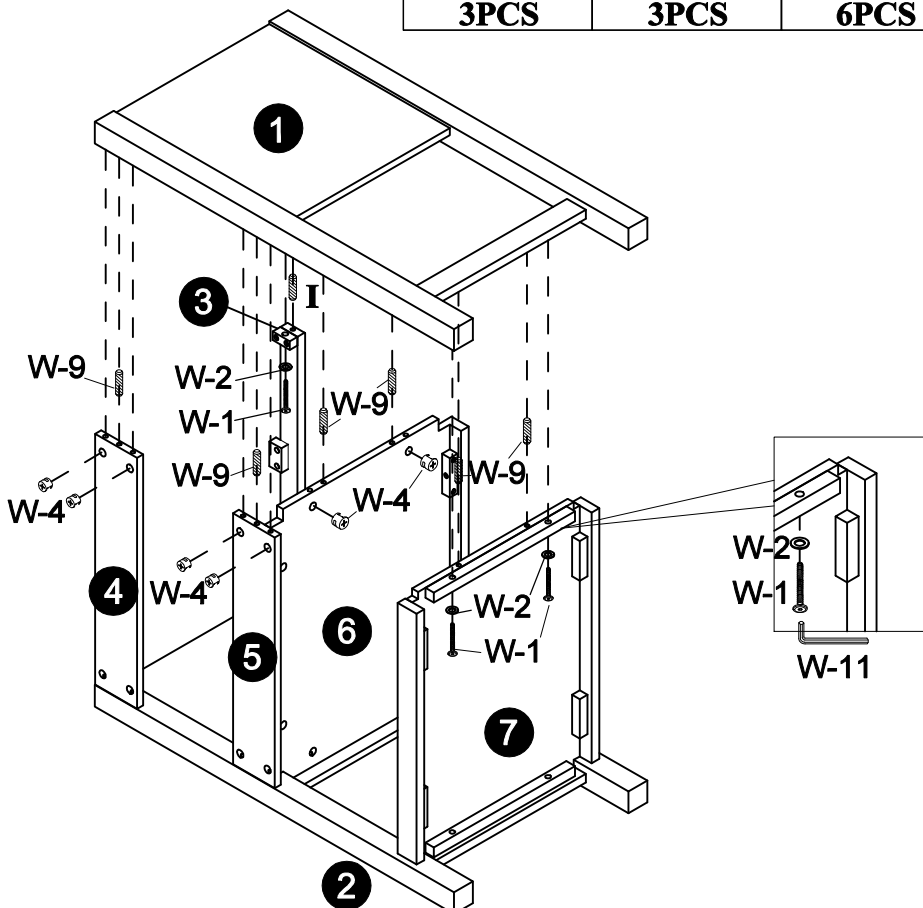
**5**

W-1	W-2	W-9	W-11
			
Ø1/4"x28mm	Ø1/4"x16x1mm	Ø8x30mm	4mm
2PCS	2PCS	2PCS	1PC

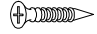



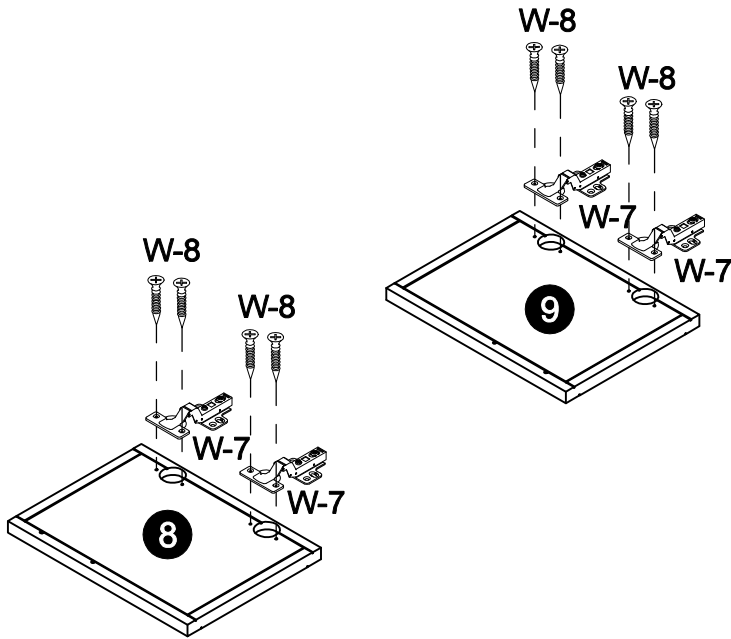
**6**

W-1	W-2	W-4	W-9	W-11
				
Ø1/4"x28mm	Ø1/4"x16x1mm	Ø14.5x12mm	Ø8x30mm	4mm
3PCS	3PCS	6PCS	7PCS	1PC

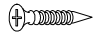
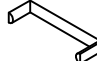
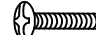


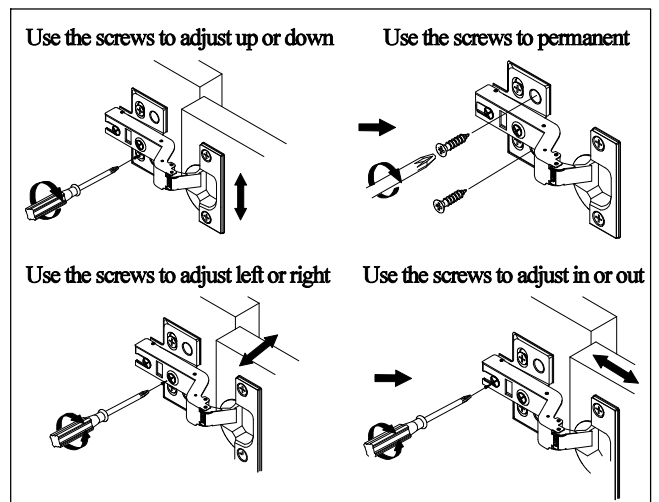
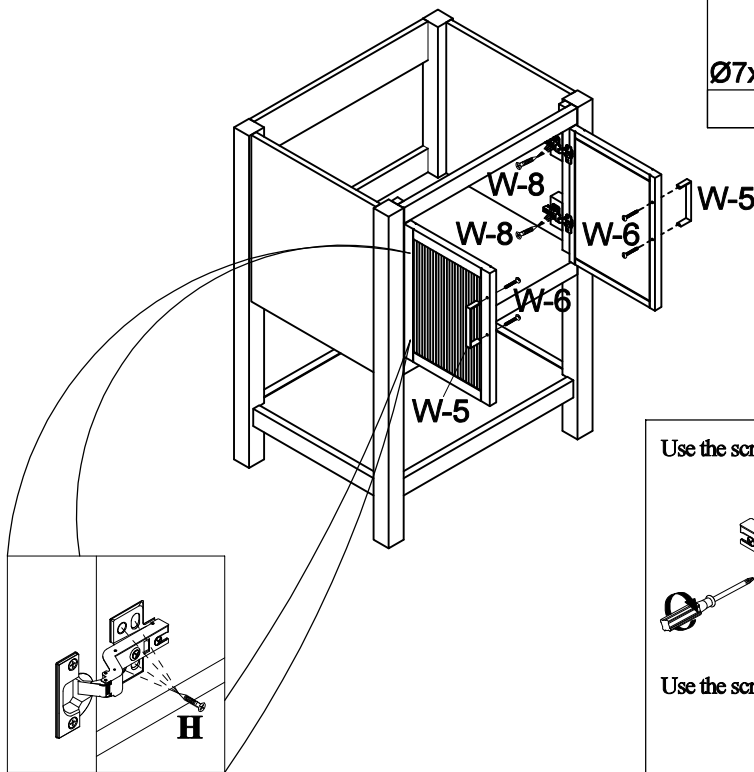
7

W-8	W-7
 Ø7x3.5x12mm	
8PCS	4PCS



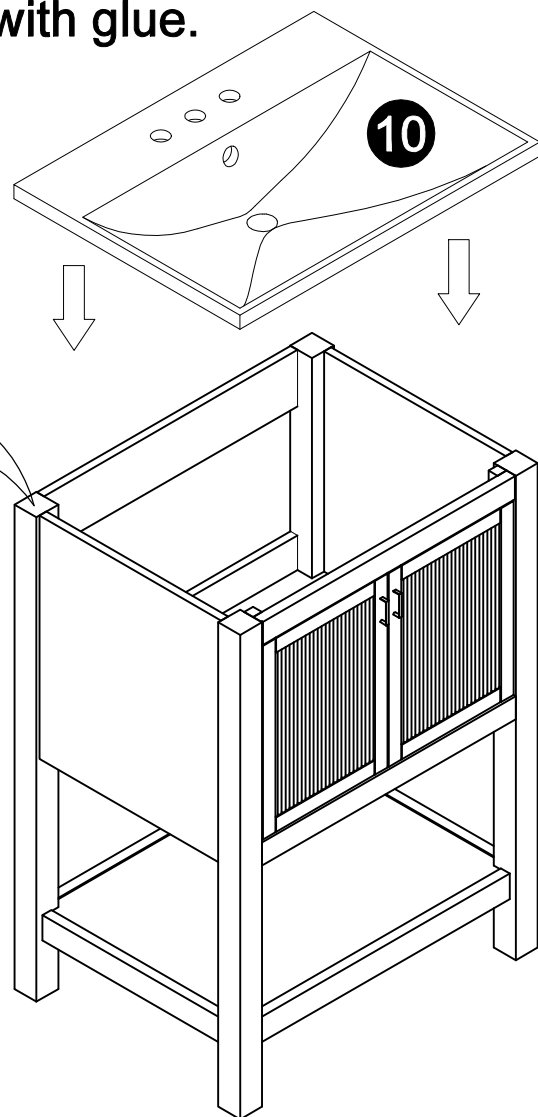
8

W-8	W-5	W-6
 Ø7x3.5x12mm	 103x11x25mm	 Ø5/32"x25mm
16PCS	2PCS	4PCS



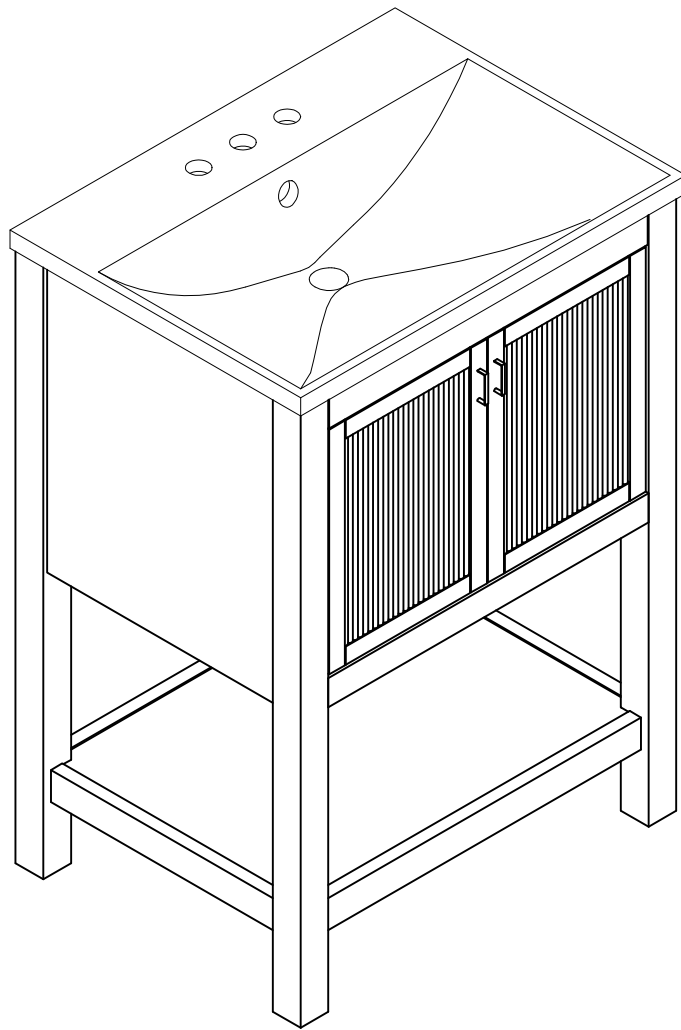
9

Install the sink on the cabinet with glue.  
Let stand for 24 hours



\*Silicone glue is not included in the package to comply with safety regulations in certain shipping conditions.

10



**Thank you for your support!**

