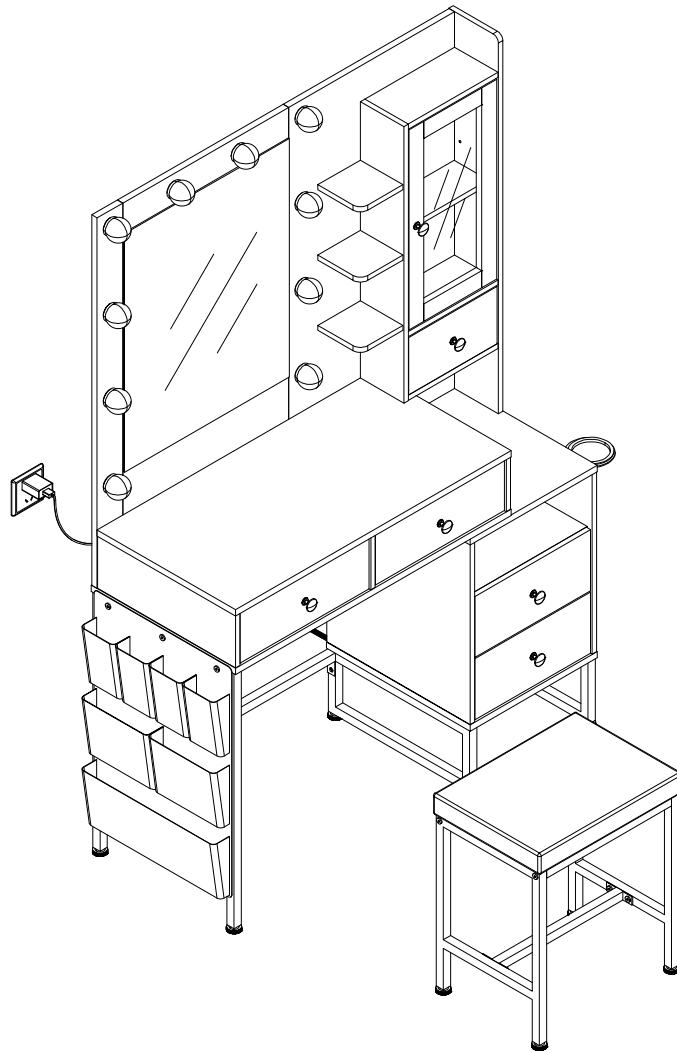


# VANITY DESK

ITEM-**YK004-WH**

ITEM-**YK005-HB**



[YKhome2024@163.com](mailto:YKhome2024@163.com)

THIS INSTRUCTION BOOKLET CONTAINS **IMPORTANT** SAFETY INFORMATION. PLEASE READ AND KEEP FOR FUTURE REFERENCE.

---

EN



## Before You Start

- ⚠ Please read all instructions carefully.
- ⚠ Retain instructions for future reference.
- ⚠ Separate and count all parts and hardware.
- ⚠ Read through each step carefully and follow the proper order.
- ⚠ We recommend that, where possible, all items are assembled near to the area in which they will be placed in use, to avoid moving the product unnecessarily once assembled.
- ⚠ Always place the product on a flat, steady and stable surface.
- ⚠ Keep all small parts and packaging materials for this product away from babies and children as they potentially pose a serious choking hazard.

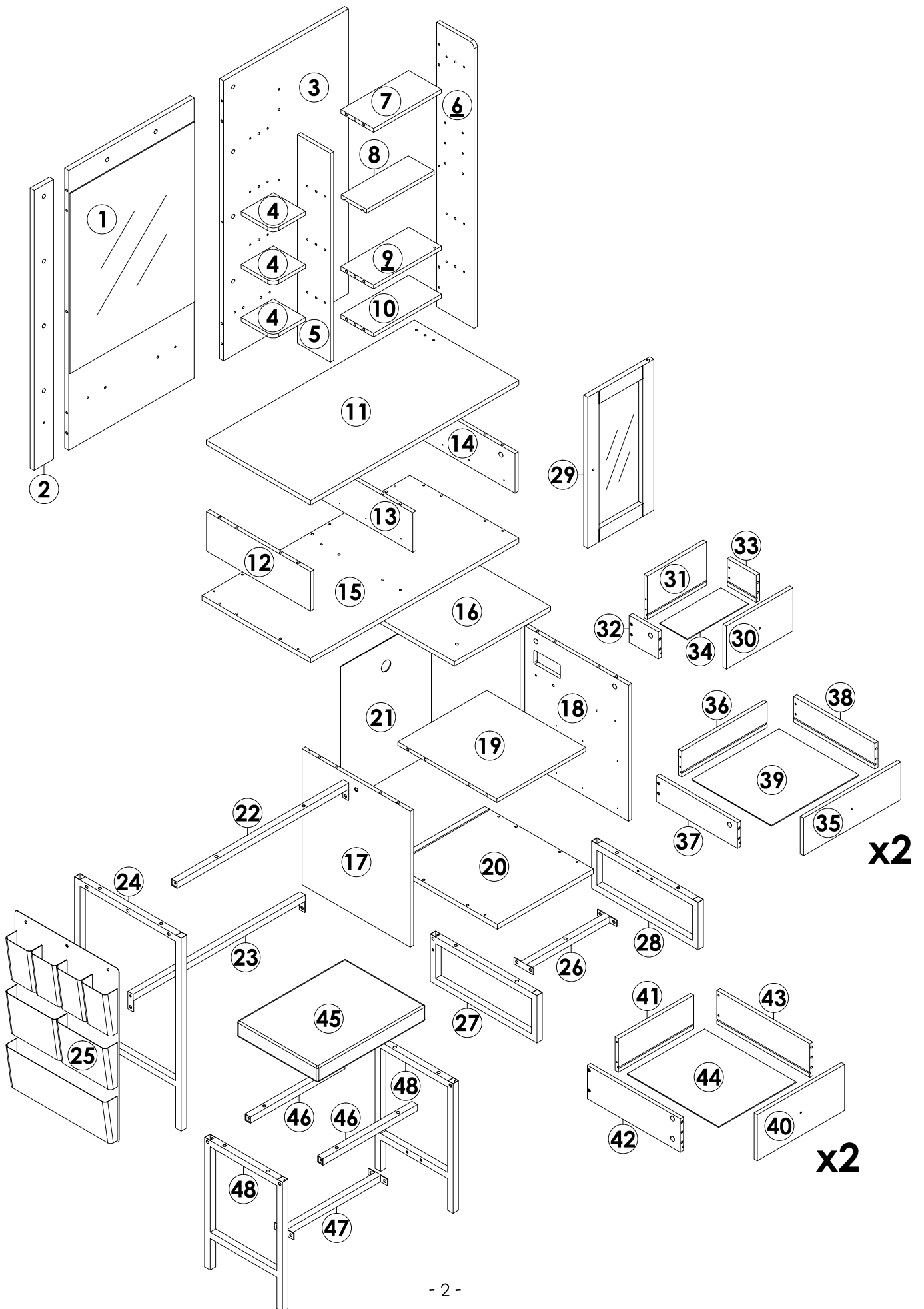
---

If you're having difficulty, our friendly customer team is always here to help.


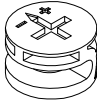
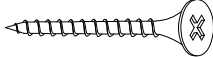
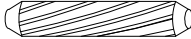
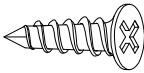
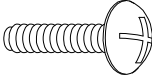
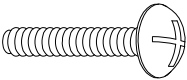
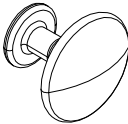
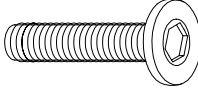
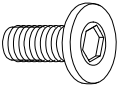
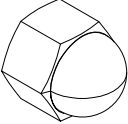
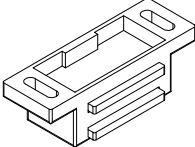
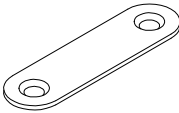
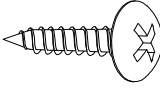
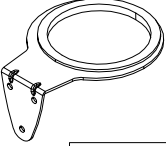
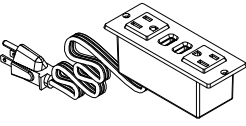
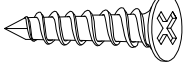
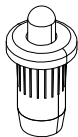
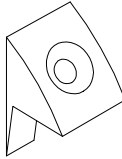
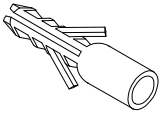
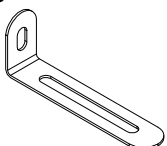
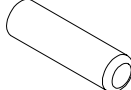
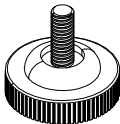
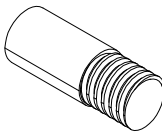
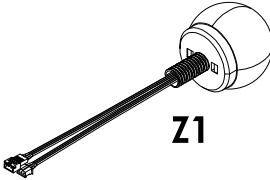
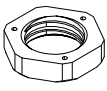
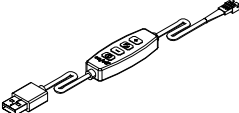
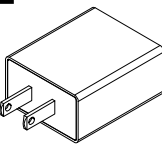
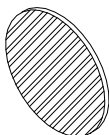
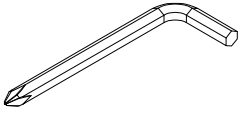
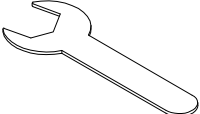
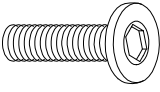
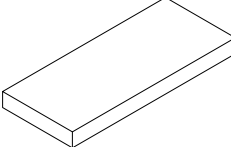
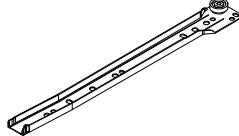
[YKhome2024@163.com](mailto:YKhome2024@163.com)



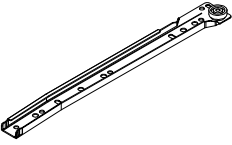
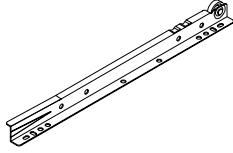
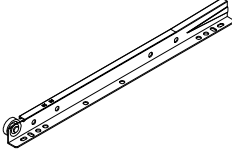
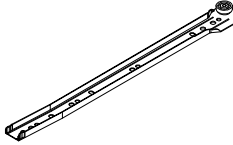
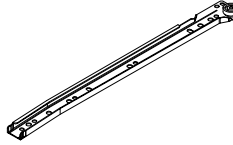
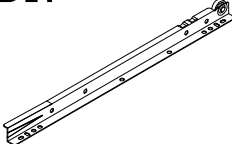
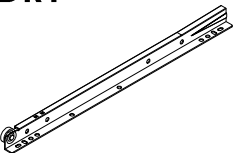
# Parts List(EN) / Teile Liste(DE)



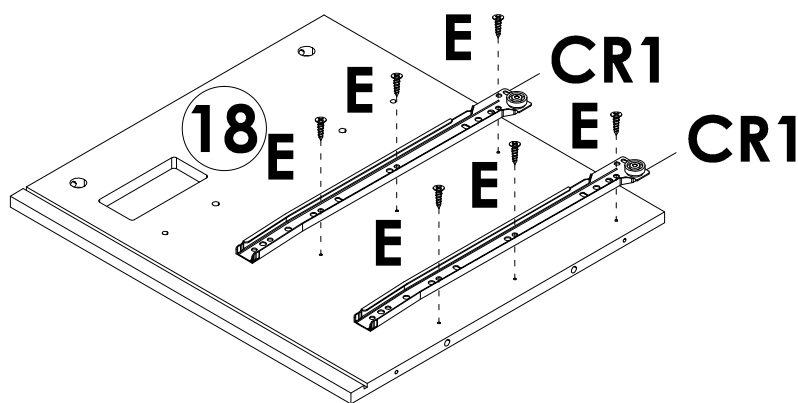
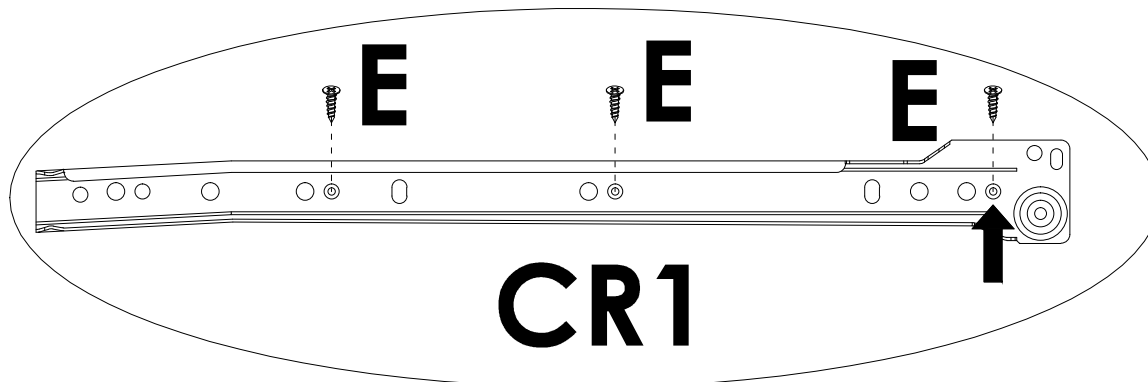
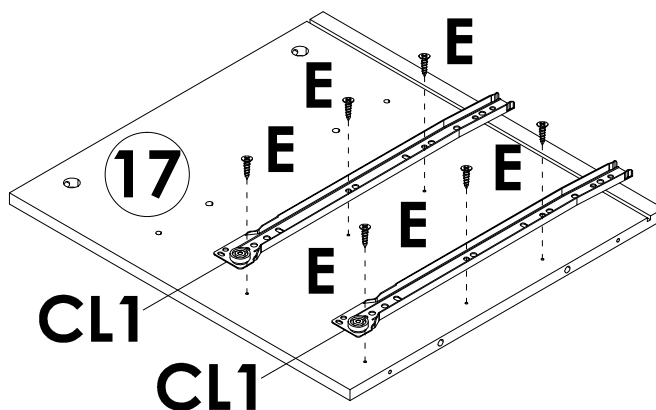
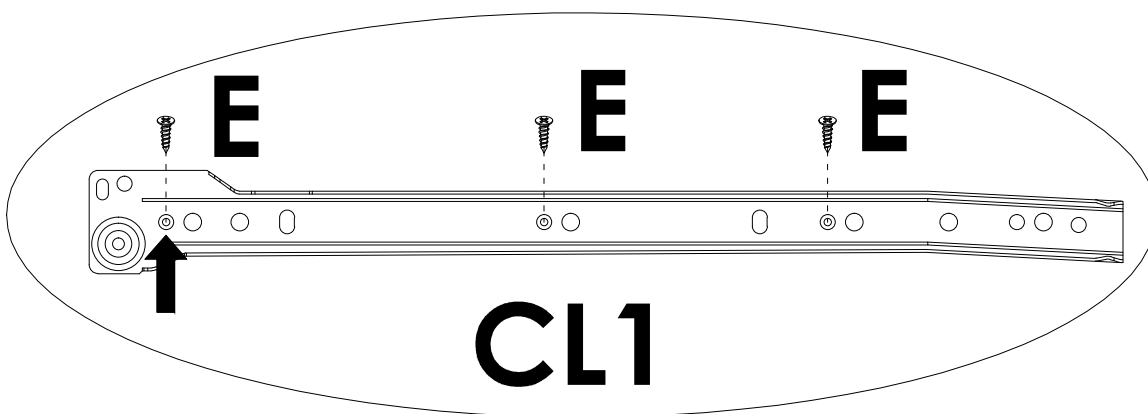
## Parts List(EN) / Teile Liste(DE)


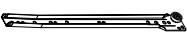

|  |   |  |   |   |
|--|---|--|---|---|
| <p><b>A</b></p>  <p>M6x35mm 49+2PCS</p>   | <p><b>B</b></p>  <p>Ø15x9mm 49+2PCS</p>  | <p><b>C</b></p>  <p>M4x40mm 63+2PCS</p> | <p><b>D</b></p>  <p>Ø6x30mm 66+2PCS</p> | <p><b>E</b></p>  <p>M3x12mm 50+2PCS</p>  |
| <p><b>F</b></p>  <p>M4x16mm 5PCS</p>  | <p><b>G</b></p>  <p>M4x18mm 1PC</p>      | <p><b>H</b></p>  <p>6PCS</p>            | <p><b>I</b></p>  <p>M6x30mm 26+2PCS</p> | <p><b>J</b></p>  <p>M6x10mm 11+1PCS</p>  |
| <p><b>K</b></p>  <p>M6mm 2PCS</p>   | <p><b>L</b></p>  <p>1PC</p>              | <p><b>M</b></p>  <p>1PC</p>             | <p><b>N</b></p>  <p>M4x12mm 7PCS</p>    | <p><b>O</b></p>  <p>1PC</p>              |
| <p><b>P</b></p>  <p>1PC</p>   | <p><b>Q</b></p>  <p>M3x14mm 8+1PCS</p> | <p><b>R</b></p>  <p>2PCS</p>          | <p><b>S</b></p>  <p>4PCS</p>         | <p><b>T</b></p>  <p>Ø6x30mm 2PCS</p>   |
| <p><b>U</b></p>  <p>2PCS</p>  | <p><b>V</b></p>  <p>M5x20mm 4PCS</p>   | <p><b>W</b></p>  <p>M6mm 10+1PCS</p>  | <p><b>X</b></p>  <p>M5x17mm 2PCS</p>  |   |
| <p><b>Z</b></p>  <p><b>Z1</b></p>  <p><b>Z2</b></p> <p>10PCS</p> |   | <p><b>A1</b></p>  <p>1PC</p>          | <p><b>A2</b></p>  <p>1PC</p>          | <p><b>A3</b></p>  <p>Ø20mm 22+2PCS</p> |
| <p><b>A4</b></p>  <p>M4mm 1PC</p>   | <p><b>A5</b></p>  <p>M10mm 1PC</p>     | <p><b>A6</b></p>  <p>M6x25mm 2PCS</p> | <p><b>A7</b></p>  <p>35x15mm 1PC</p>  | <p><b>CL</b></p>  <p>300mm 2PCS</p>    |

## Parts List(EN) / Teile Liste(DE)

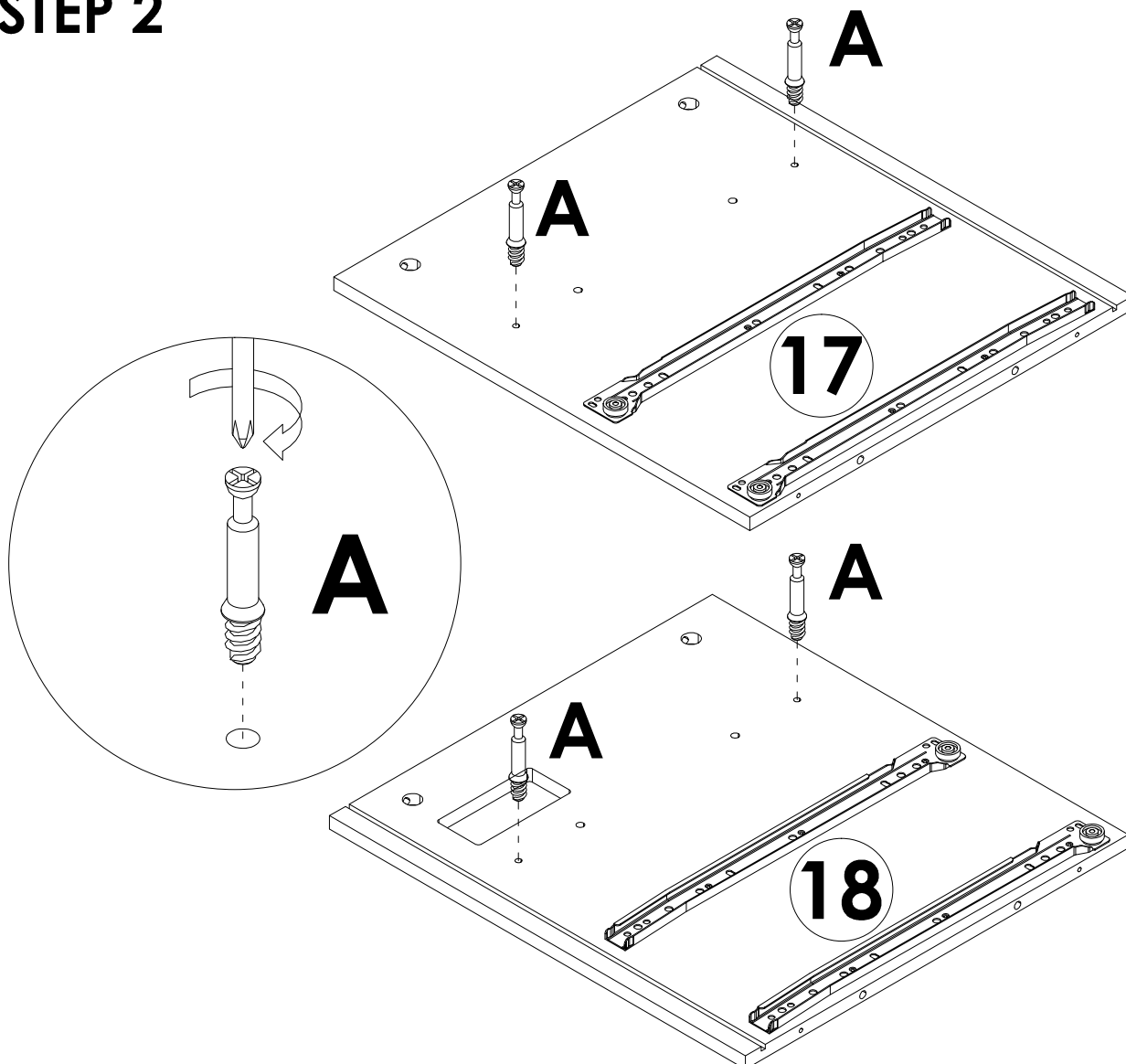
|   |   |   |  |   |
|---|---|---|--|---|
| <b>CR</b>   | <b>DL</b>   | <b>DR</b>   | <b>CL1</b>   | <b>CR1</b>  |
|  |  |  |  |  |
| 300mm   | 300mm   | 300mm   | 350mm  | 350mm   |
| 2PCS  | 2PCS  | 2PCS  | 2PCS   | 2PCS  |
| <b>DL1</b>  | <b>DR1</b>  |   |  |   |
|  |  |   |  |   |
| 350mm   | 350mm   |   |  |   |
| 2PCS  | 2PCS  |   |  |   |

**STEP 1**



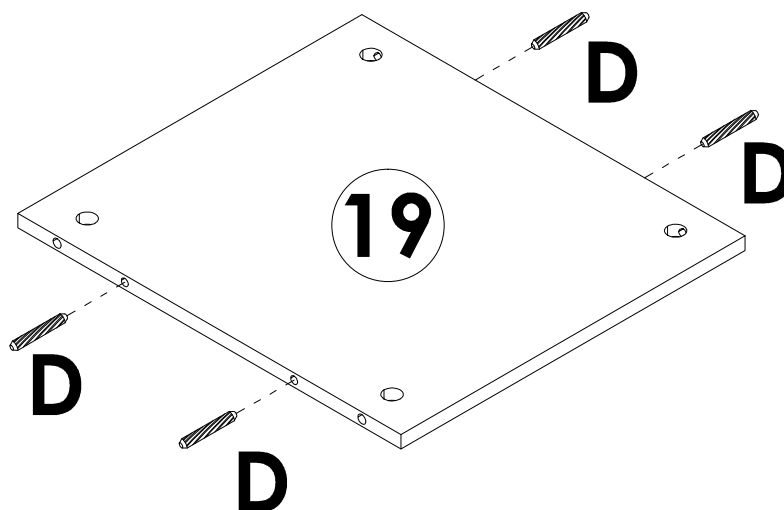
|   |                   |
|---|-------------------|
|  | <b>E x 12PCS</b>  |
|  | <b>CL1 x 2PCS</b> |
|  | <b>CR1 x 2PCS</b> |

## STEP 2



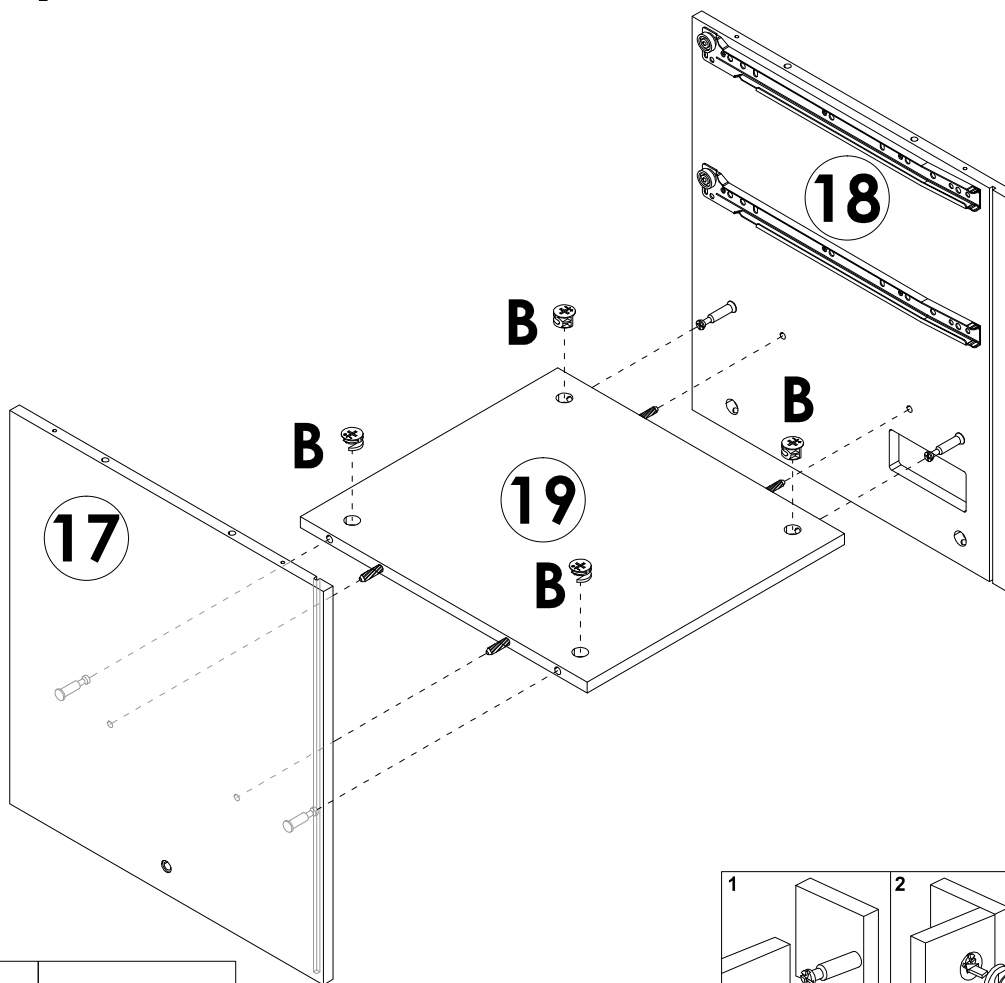
**A** x 4PCS

## STEP 3

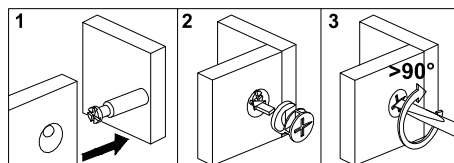


**D** x 4PCS

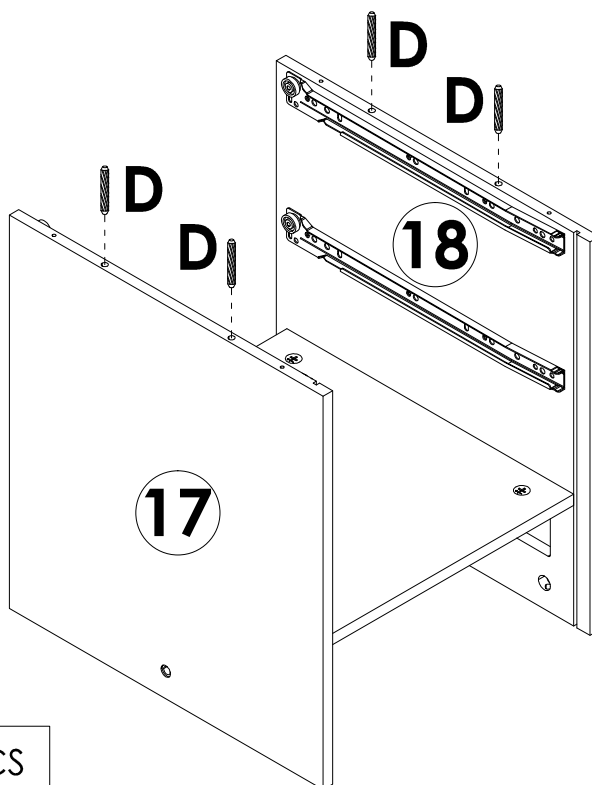
# STEP 4



**B** x 4PCS

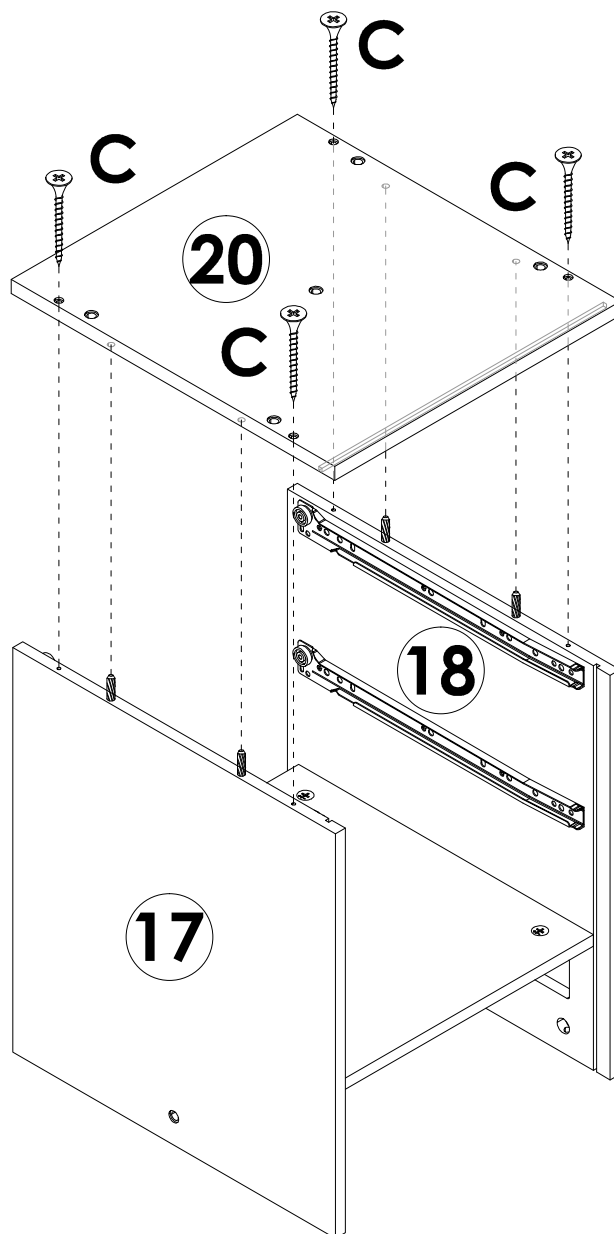
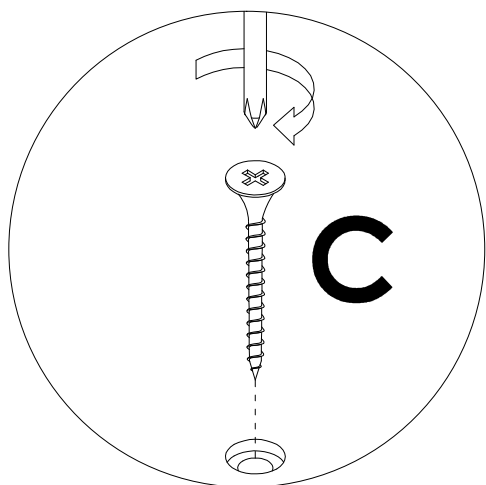


# STEP 5



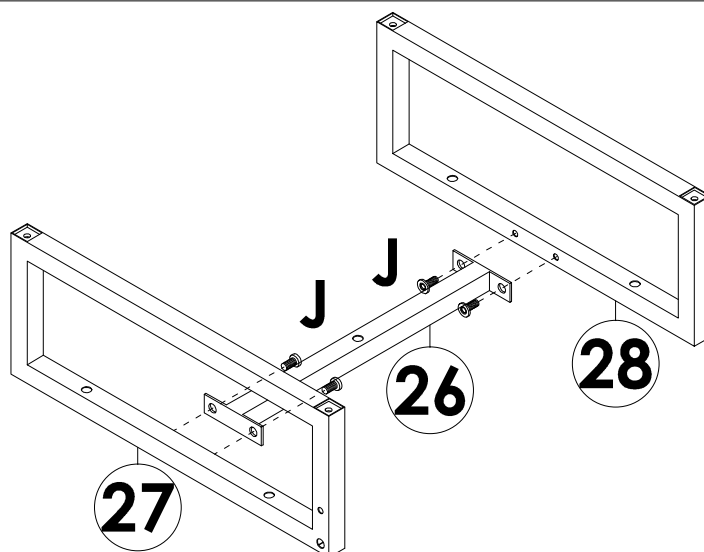
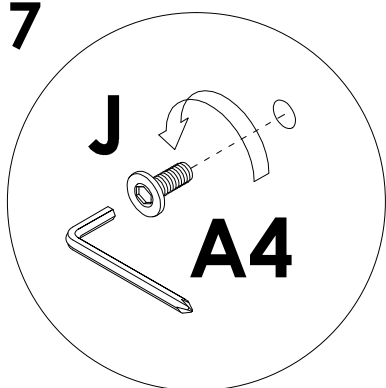
**D** x 4PCS

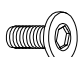
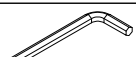
# STEP 6



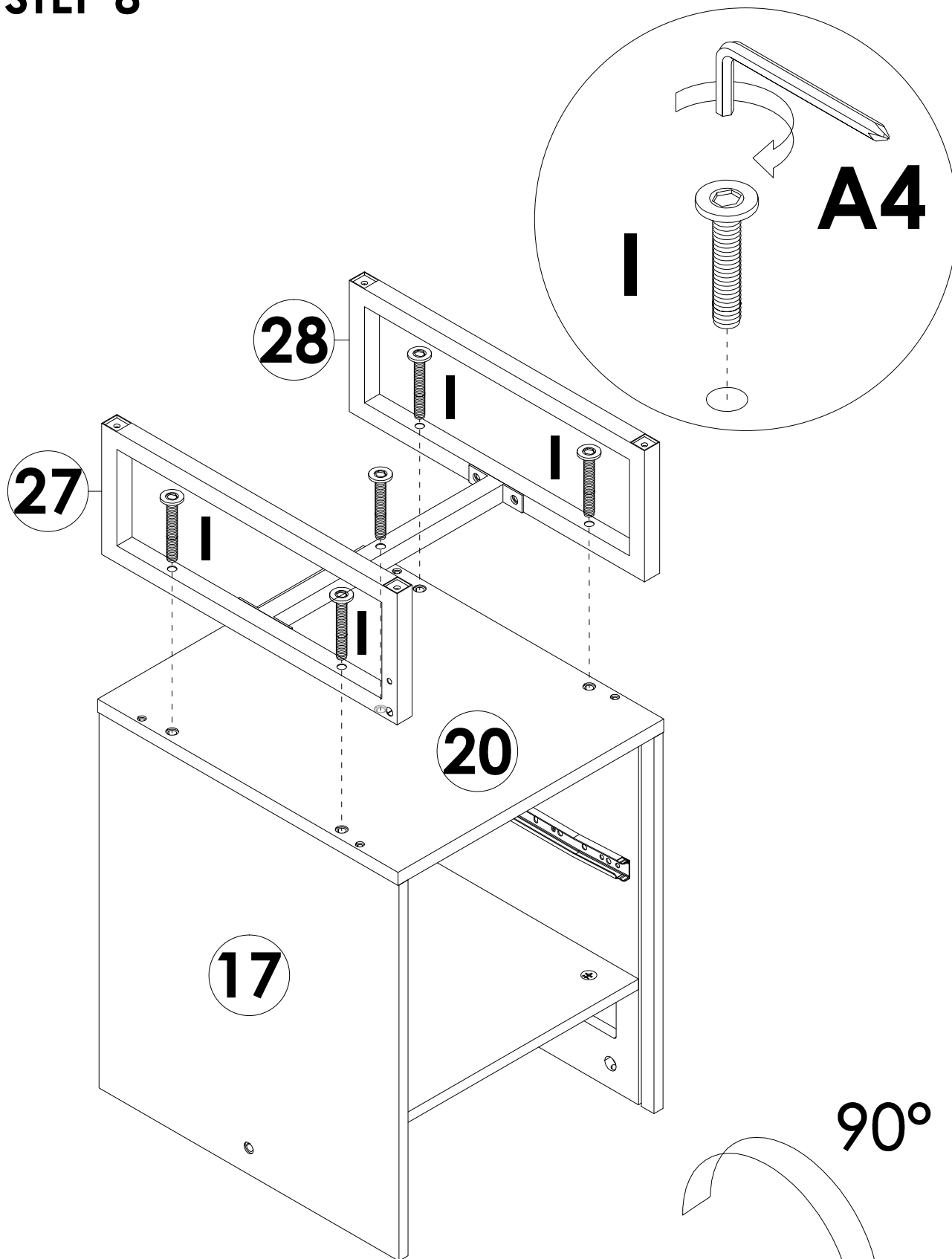
|   |                 |
|---|-----------------|
|  | <b>C x 4PCS</b> |
|---|-----------------|

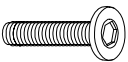

# STEP 7



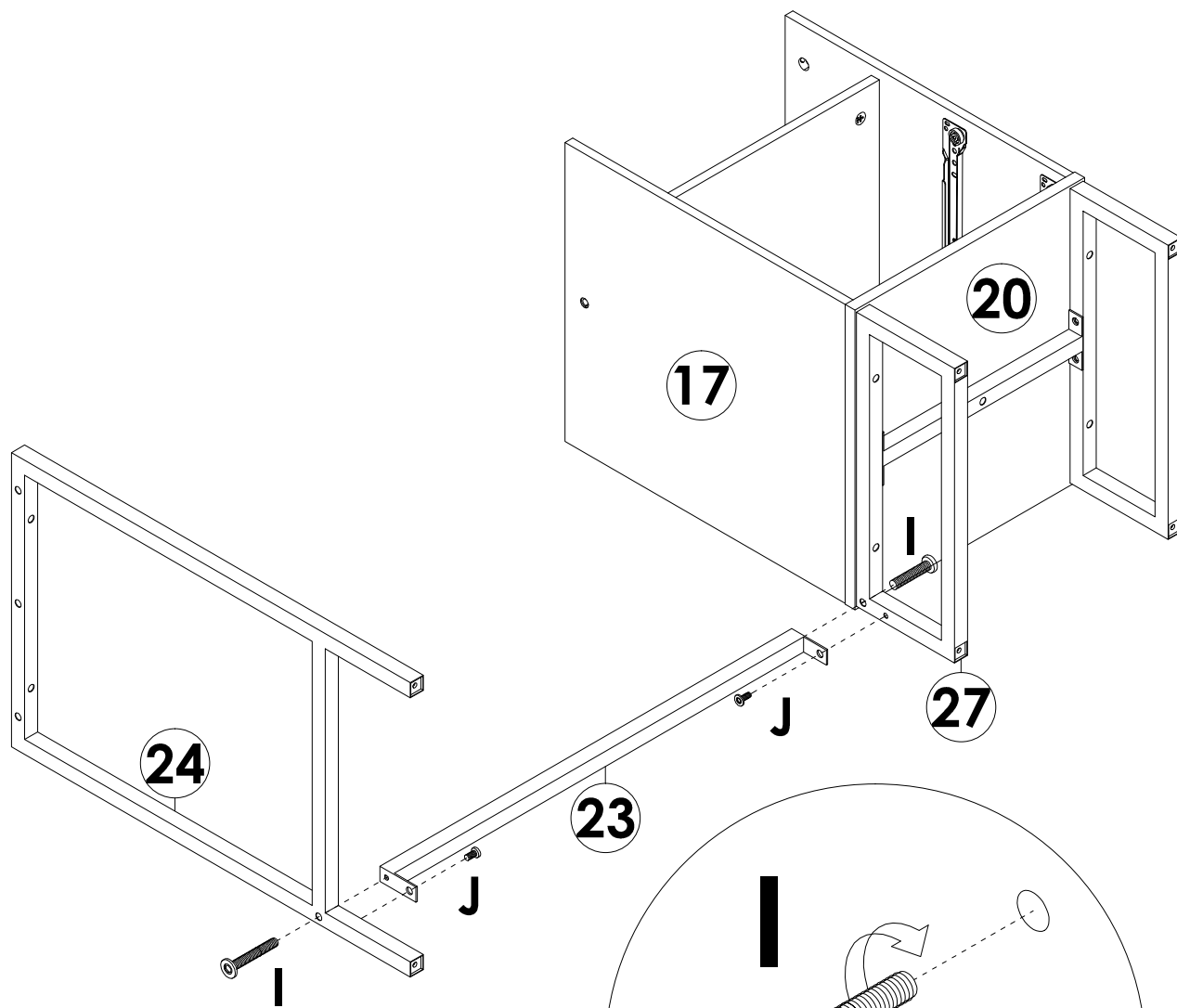
|   |                 |
|---|-----------------|
|  | <b>J x 4PCS</b> |
|  | <b>A4 x 1PC</b> |

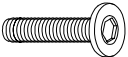
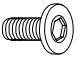

# STEP 8



|   |          |
|---|----------|
|  | I x 5PCS |
|  | A4 x 1PC |

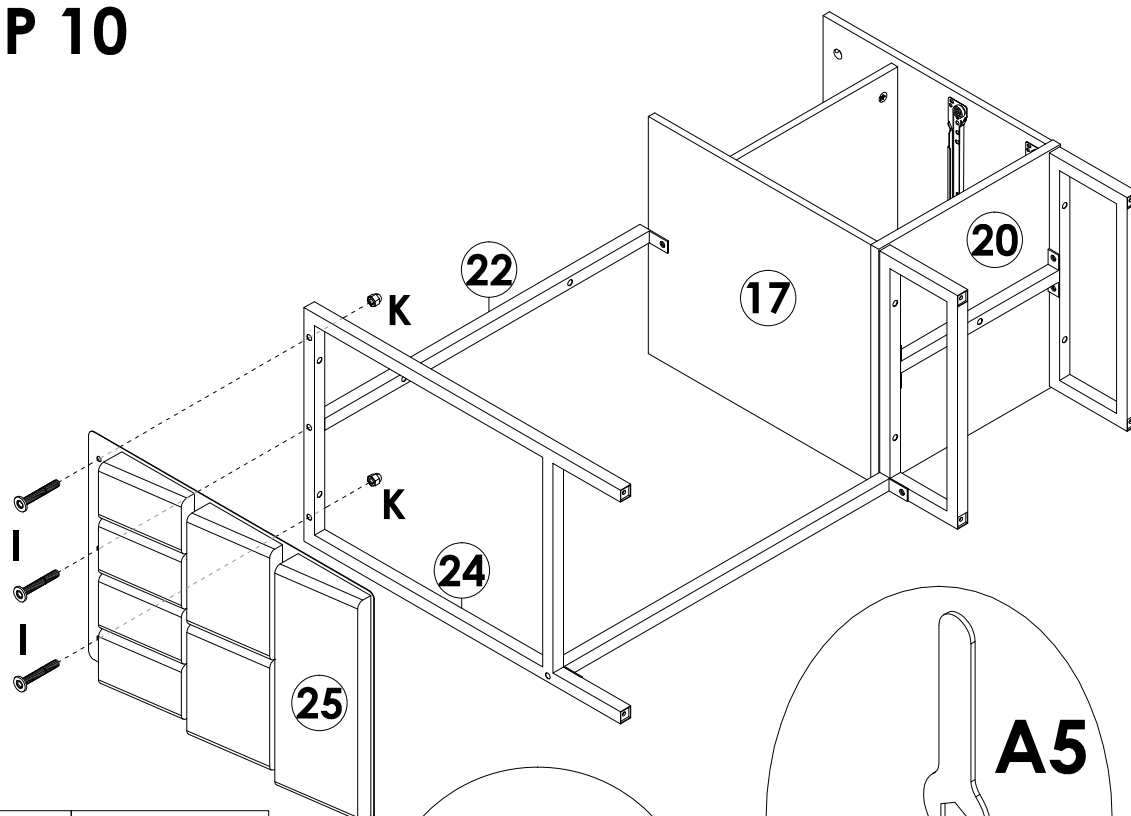
# STEP 9

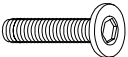





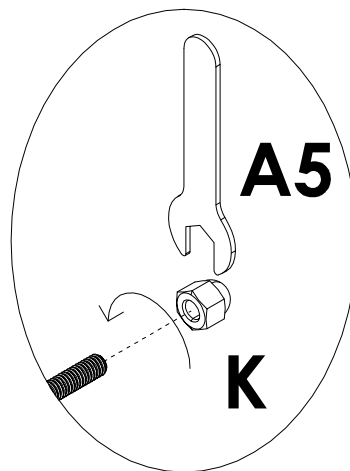
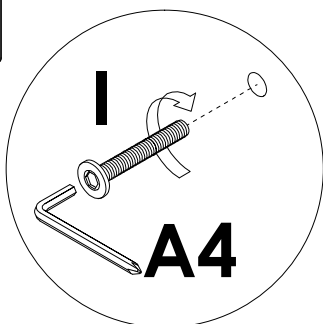
|   |          |
|---|----------|
|  | I x 2PCS |
|  | J x 2PCS |
|  | A4 x 1PC |

# Assembly Steps(EN) / Montageschritte(DE)

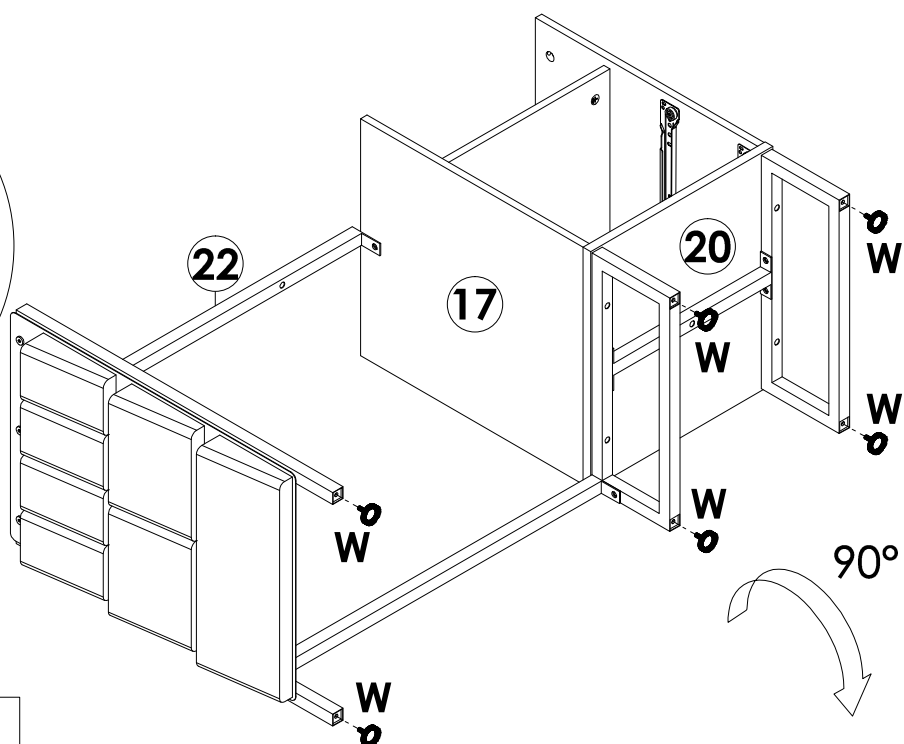
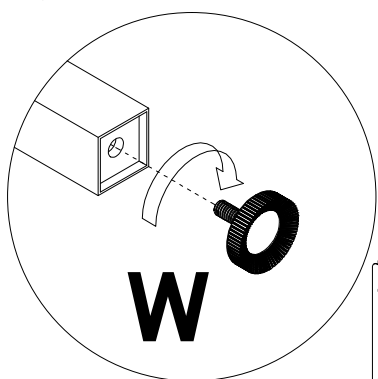
## STEP 10




|   |          |
|---|----------|
|  | I x 3PCS |
|  | K x 2PCS |
|  | A4 x 1PC |
|  | A5 x 1PC |

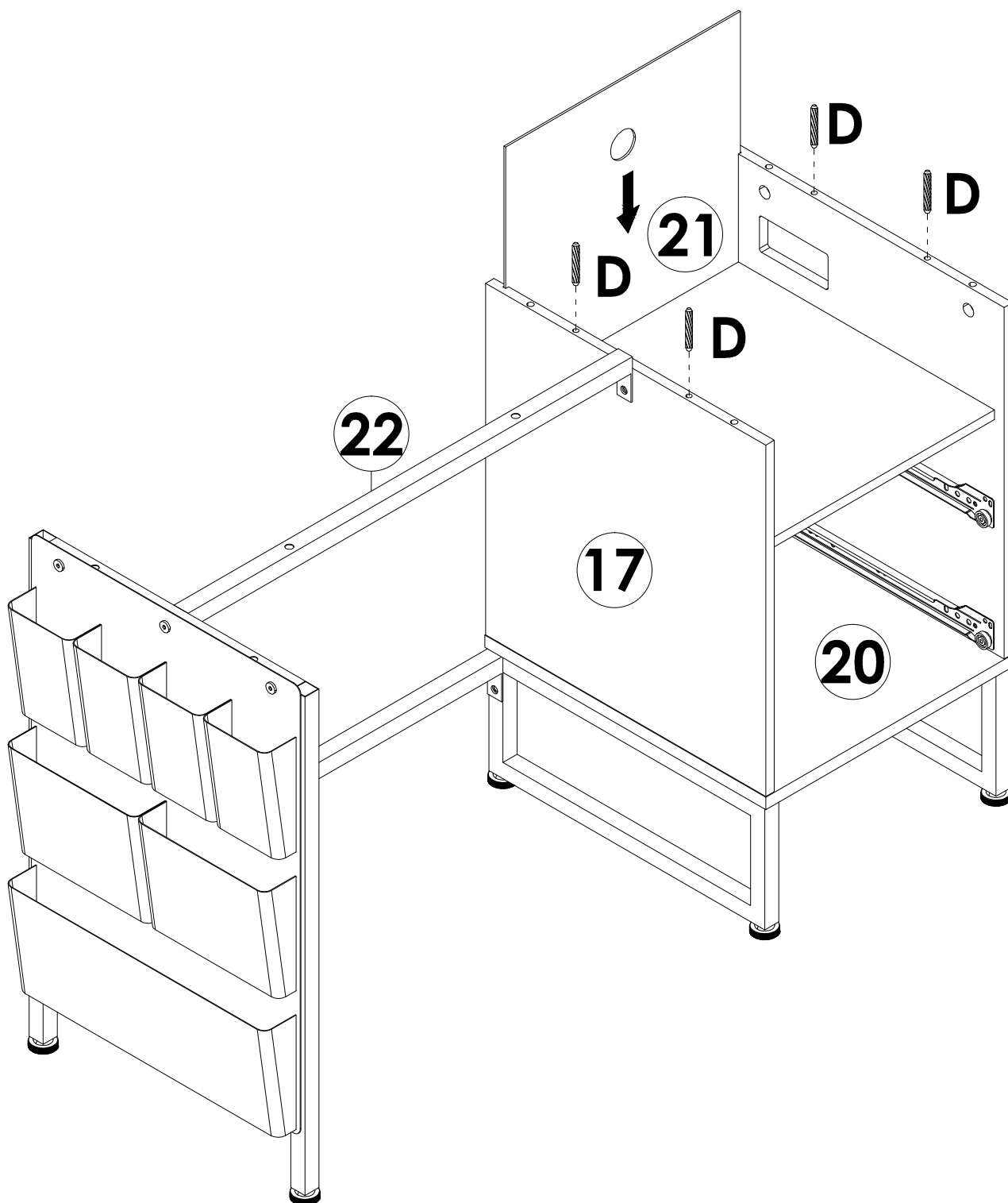


## STEP 11



|   |          |
|---|----------|
|  | W x 6PCS |
|---|----------|

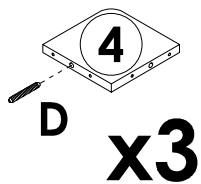
# STEP 12




**D** x 4PCS

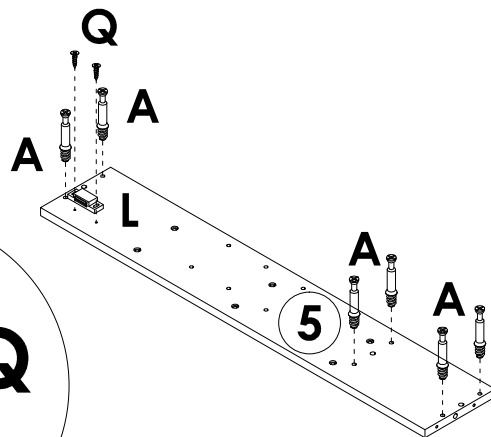
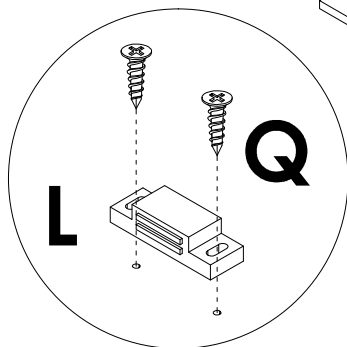
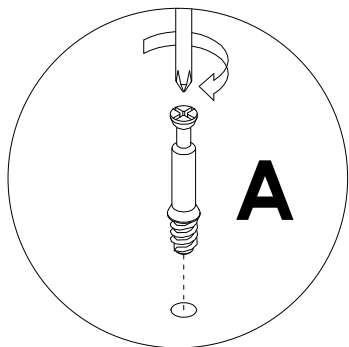
# Assembly Steps(EN) / Montageschritte(DE)

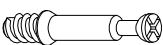
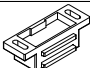

## STEP 13



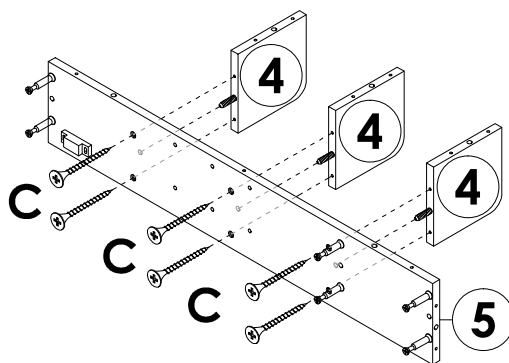
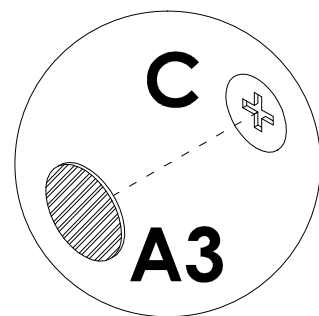
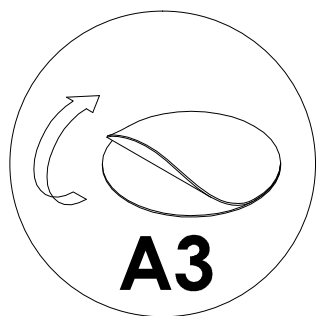
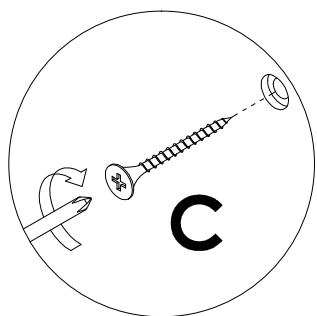
|   |                 |
|---|-----------------|
|  | <b>D x 3PCS</b> |
|---|-----------------|

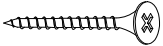

## STEP 14



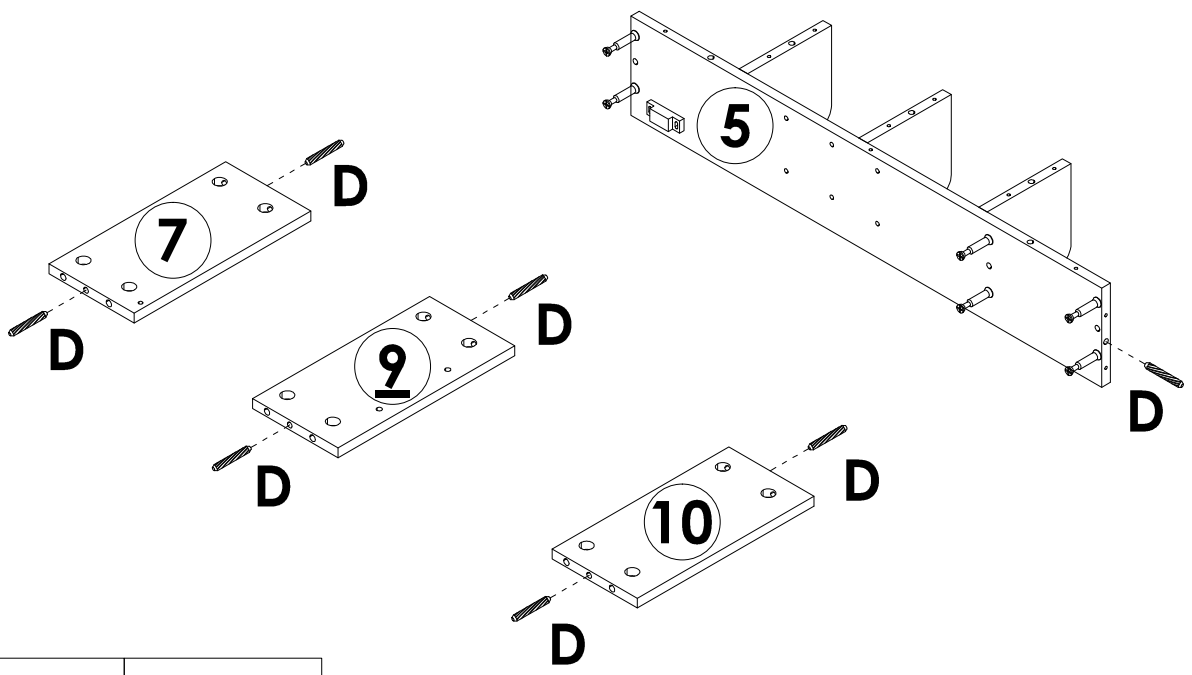
|   |                 |
|---|-----------------|
|   | <b>A x 6PCS</b> |
|  | <b>L x 1PC</b>  |
|  | <b>Q x 2PCS</b> |

## STEP 15



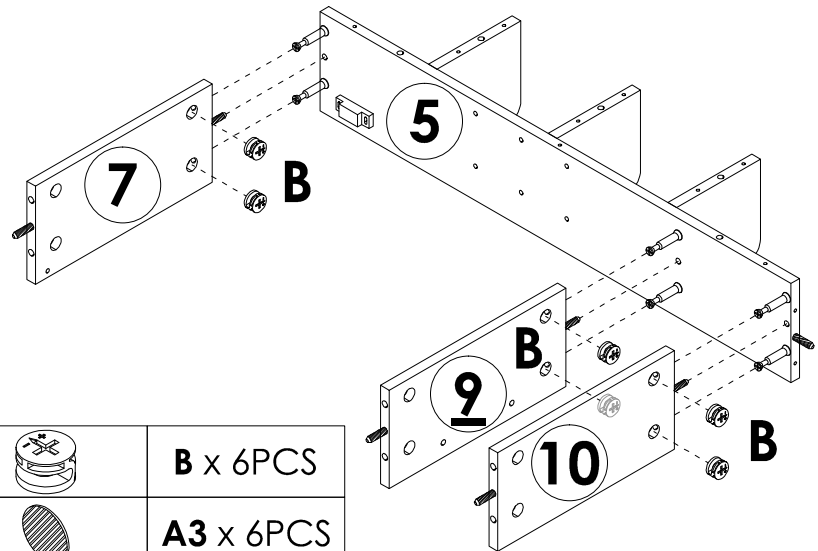
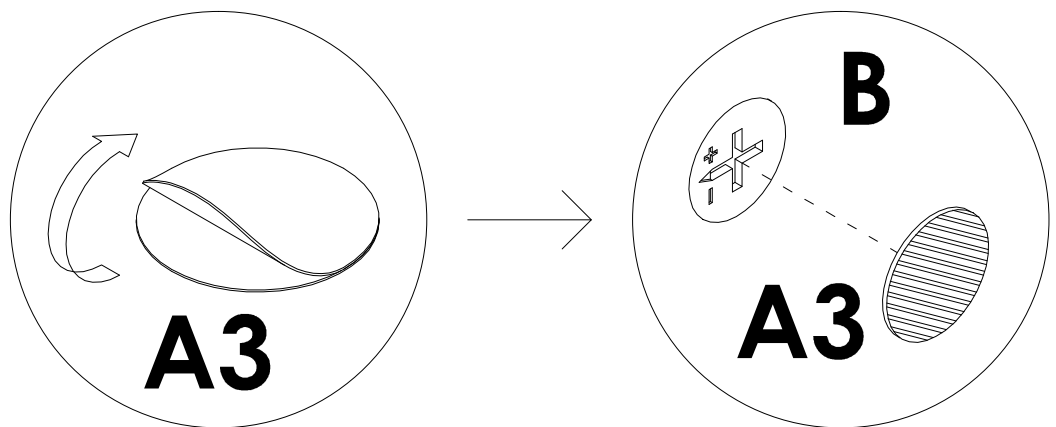
|   |                  |
|---|------------------|
|  | <b>C x 6PCS</b>  |
|  | <b>A3 x 6PCS</b> |



# STEP 16

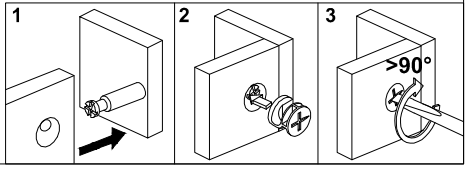


|   |                 |
|---|-----------------|
|  | <b>D x 7PCS</b> |
|---|-----------------|

# STEP 17

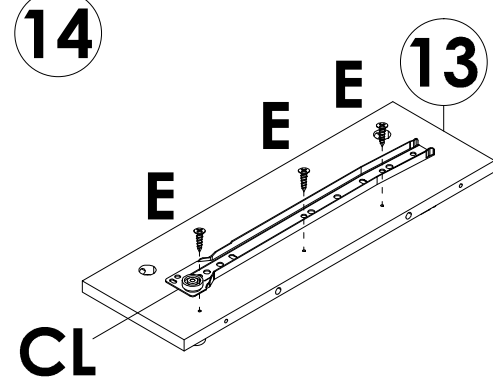
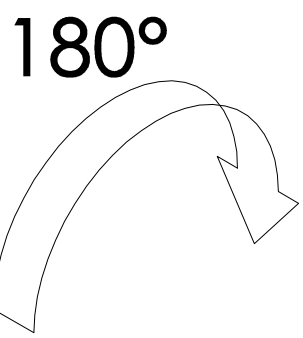
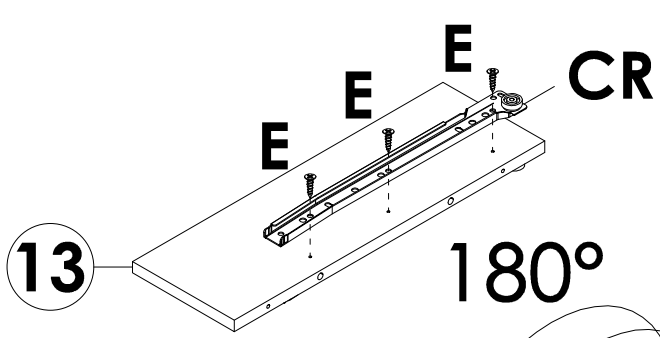
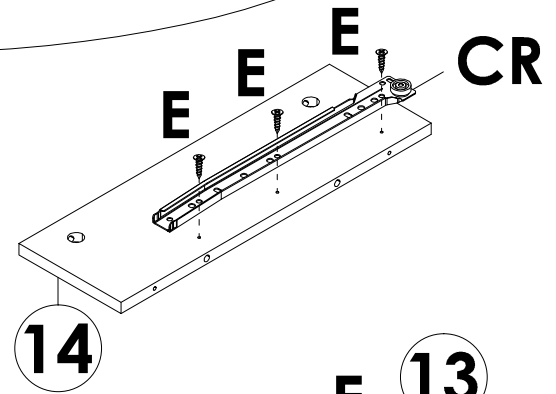
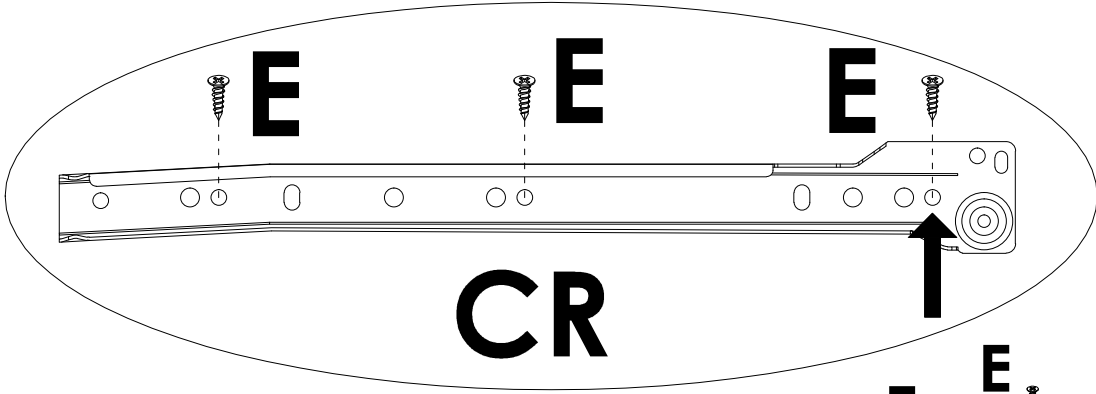
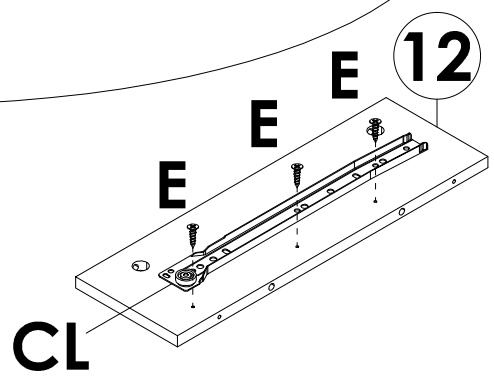
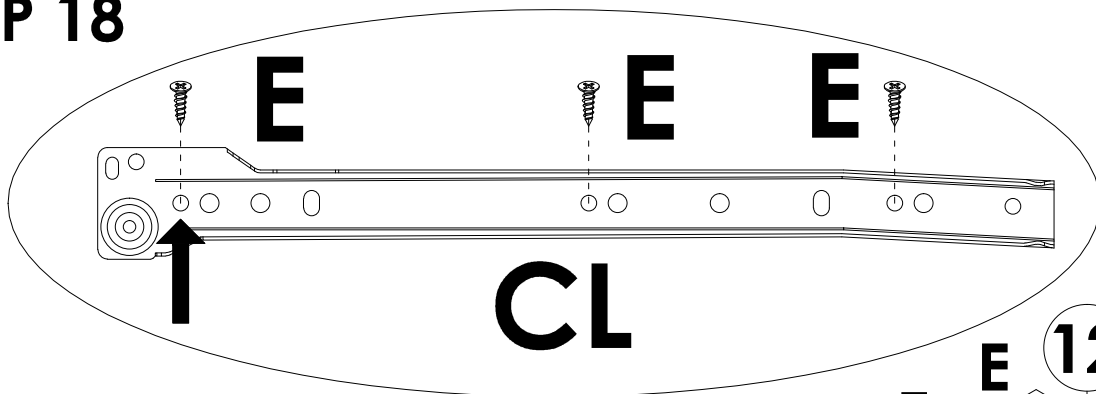





|   |                  |
|---|------------------|
|  | <b>B x 6PCS</b>  |
|  | <b>A3 x 6PCS</b> |



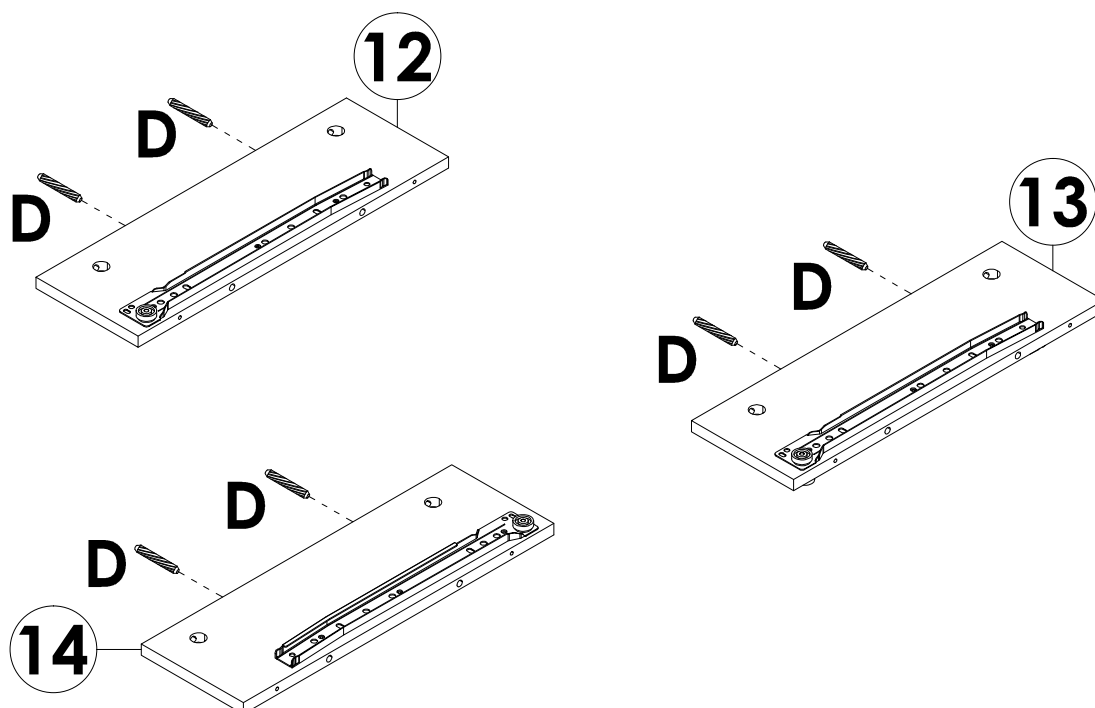
# Assembly Steps(EN) / Montageschritte(DE)

## STEP 18



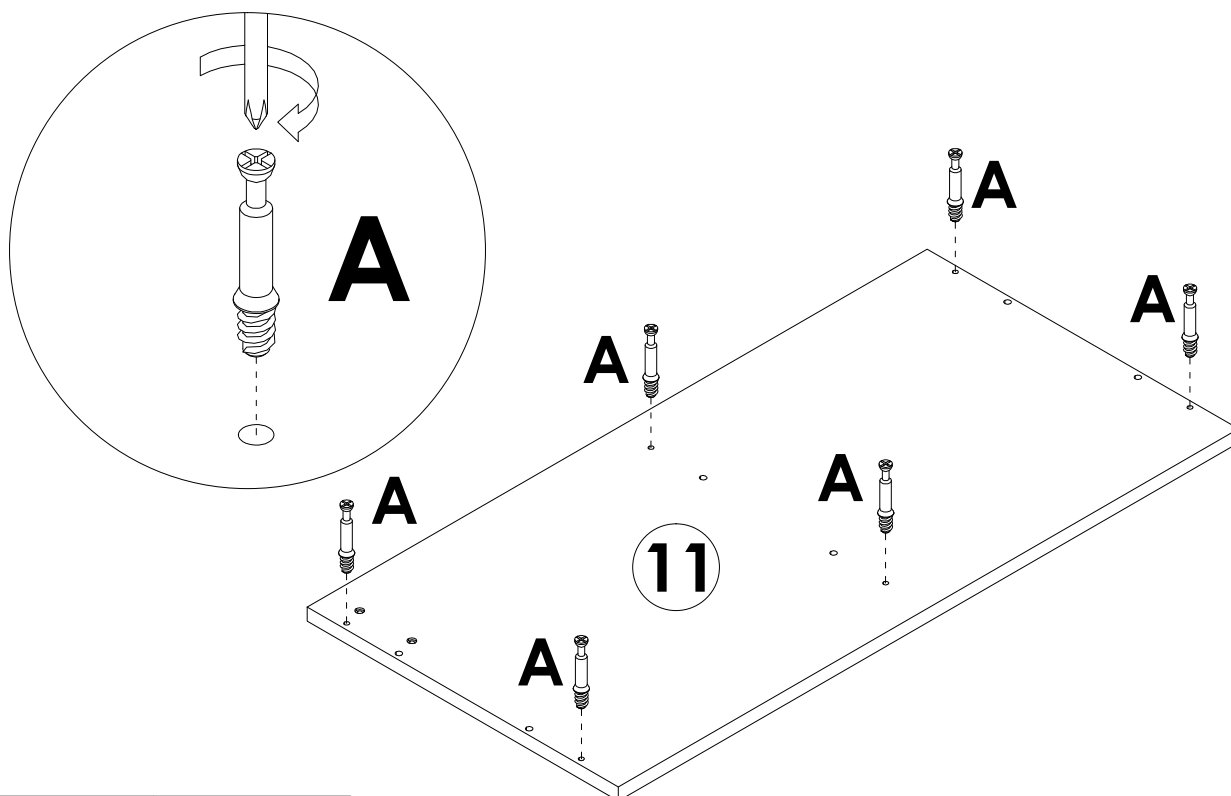
|   |                  |
|---|------------------|
|  | <b>E</b> x 12PCS |
|  | <b>CL</b> x 2PCS |
|  | <b>CR</b> x 2PCS |

## STEP 19



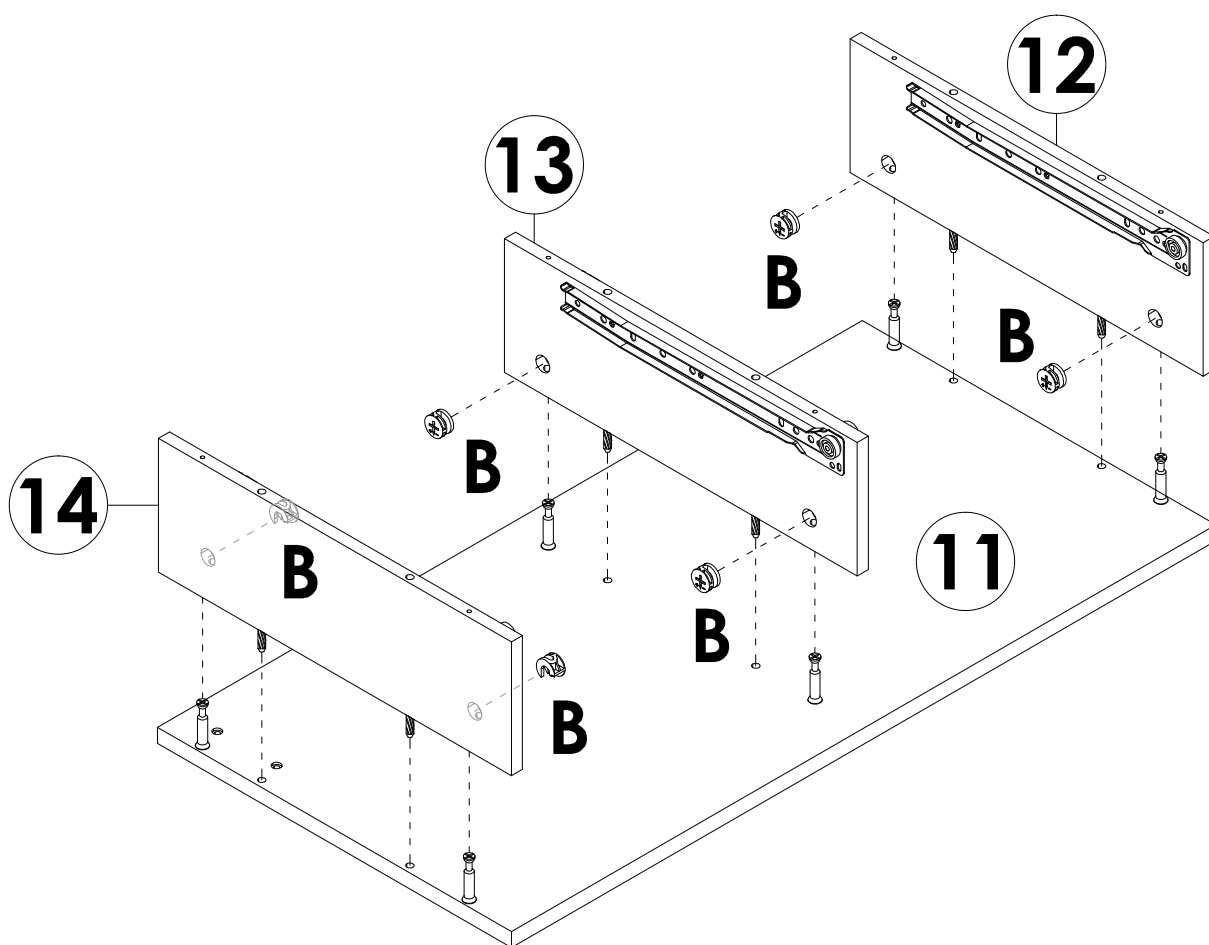
D x 6PCS

## STEP 20

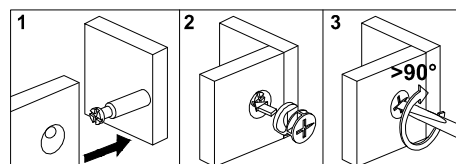


A x 6PCS

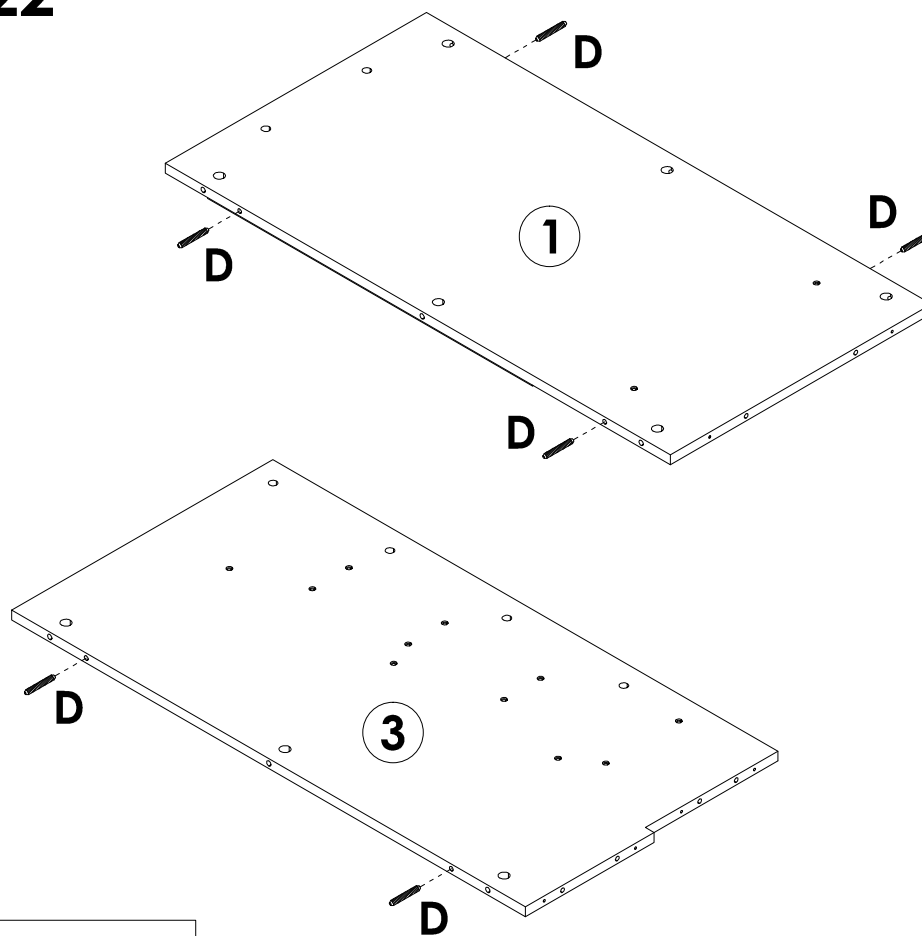
# STEP 21



**B** x 6PCS

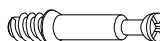
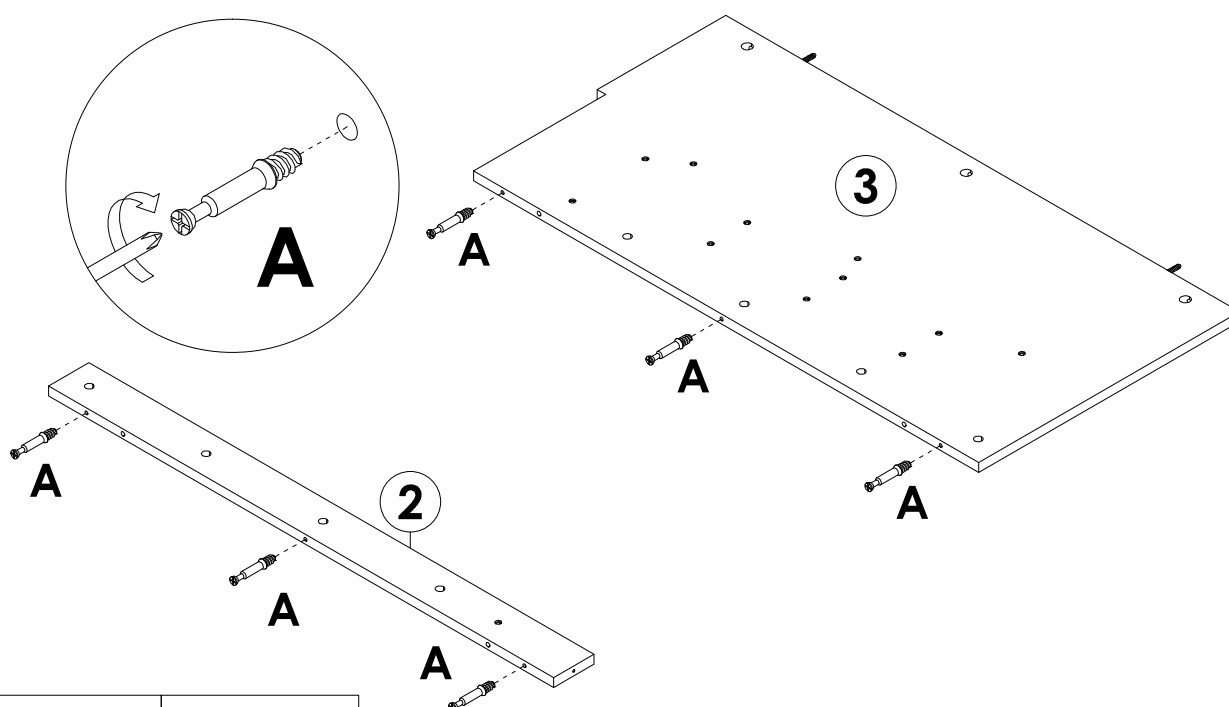


## STEP 22



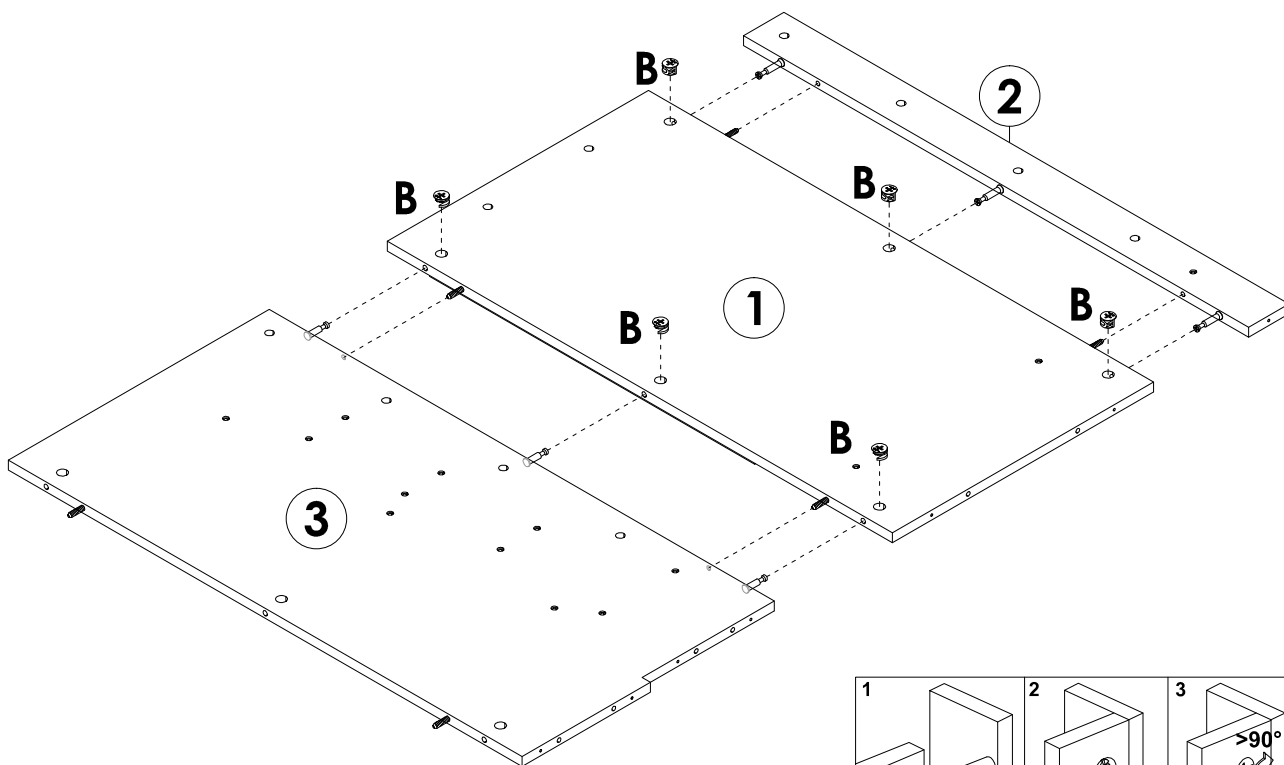
D x 6PCS

## STEP 23

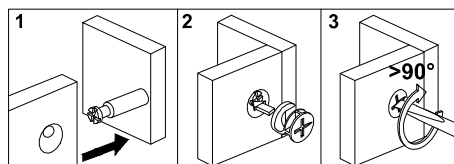


A x 6PCS

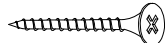
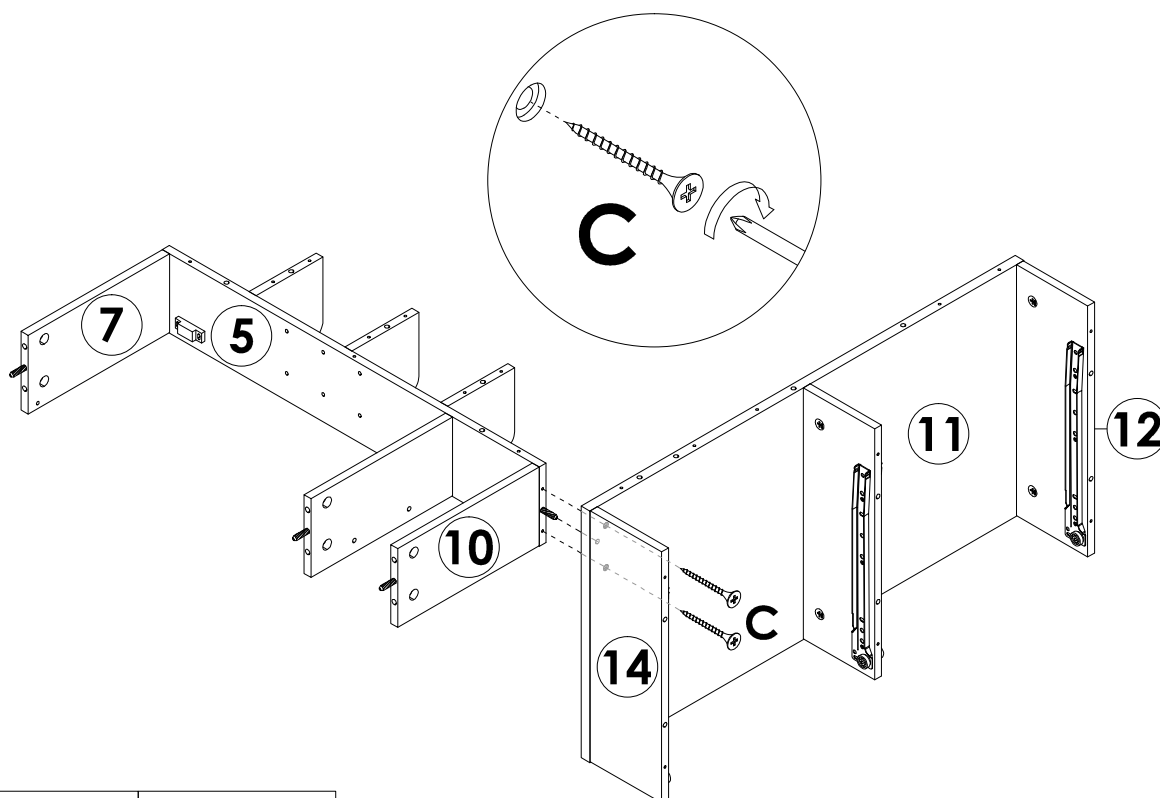
# STEP 24



B x 6PCS



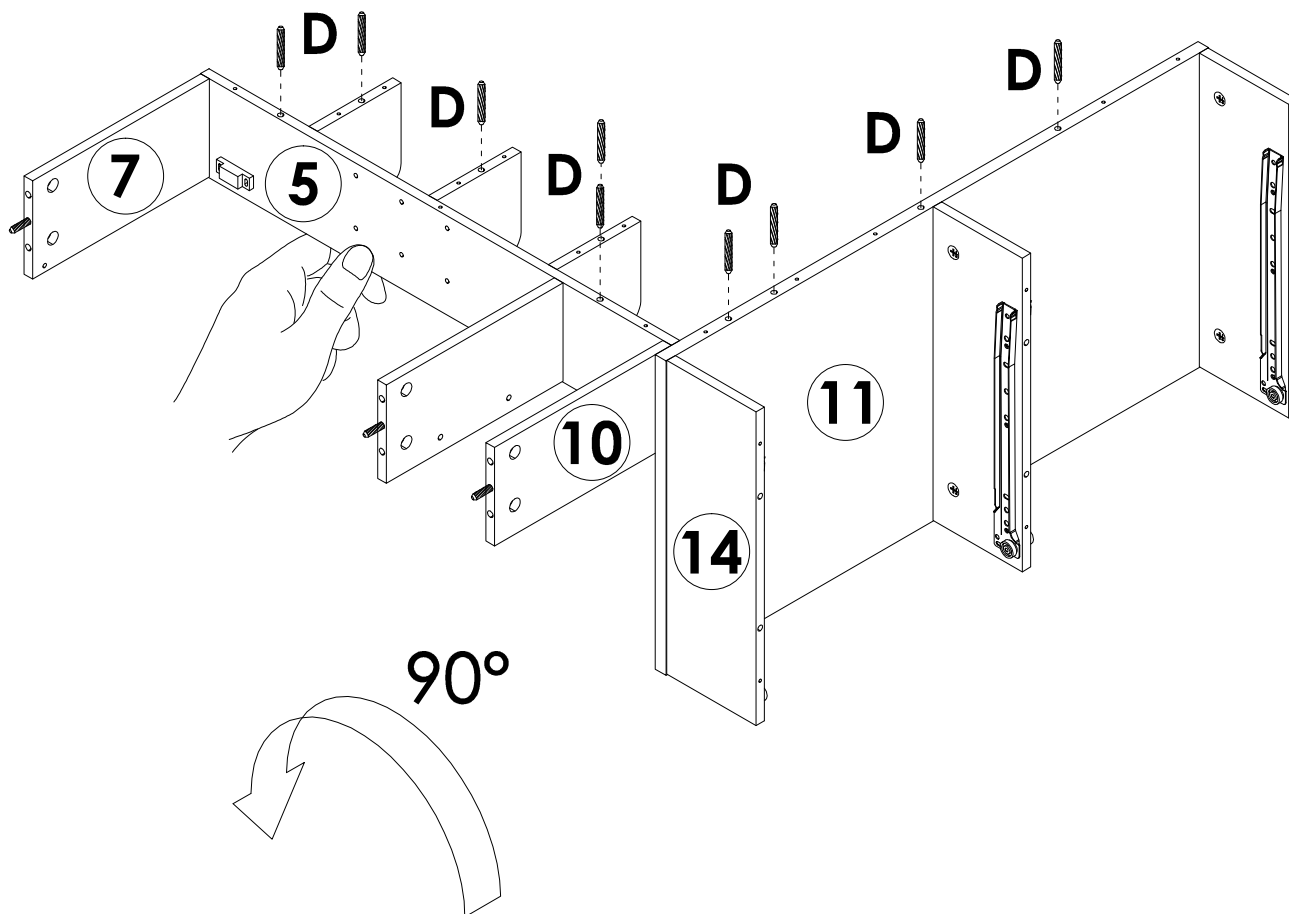
# STEP 25



C x 2PCS

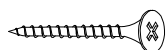
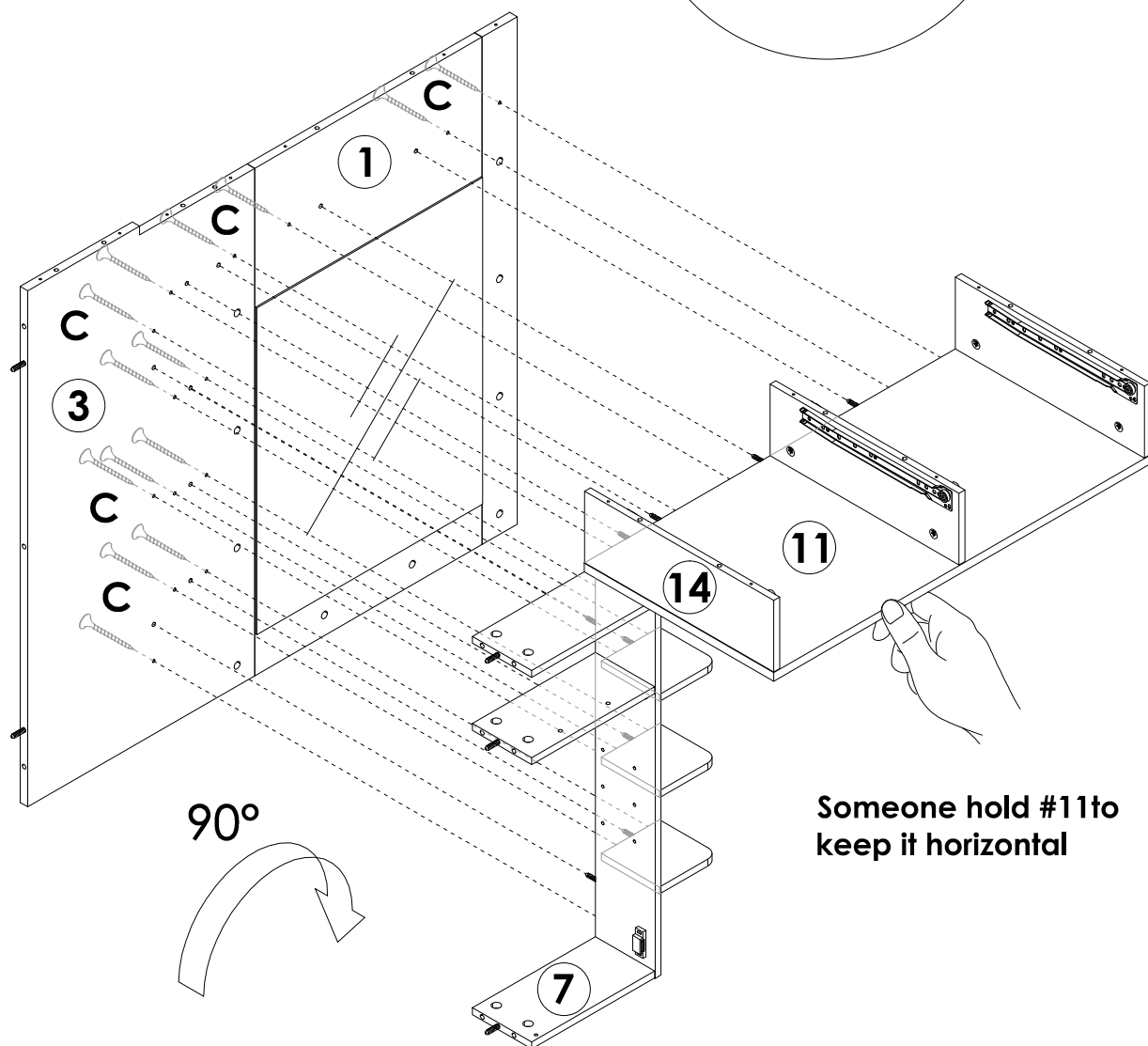
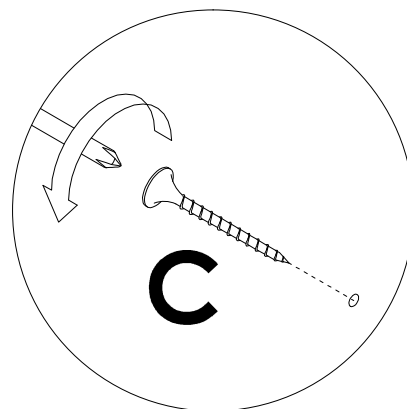
# STEP 26

Someone hold #5 to  
keep it horizontal



D x 9PCS

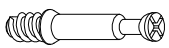
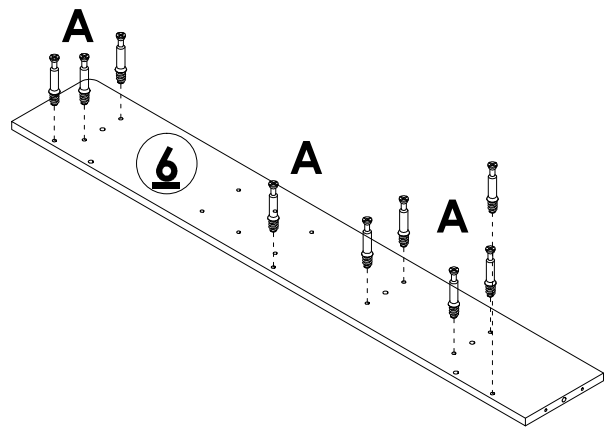
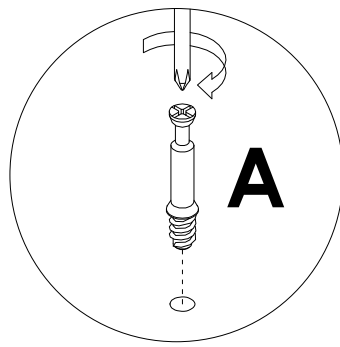
# STEP 27



C x 14PCS

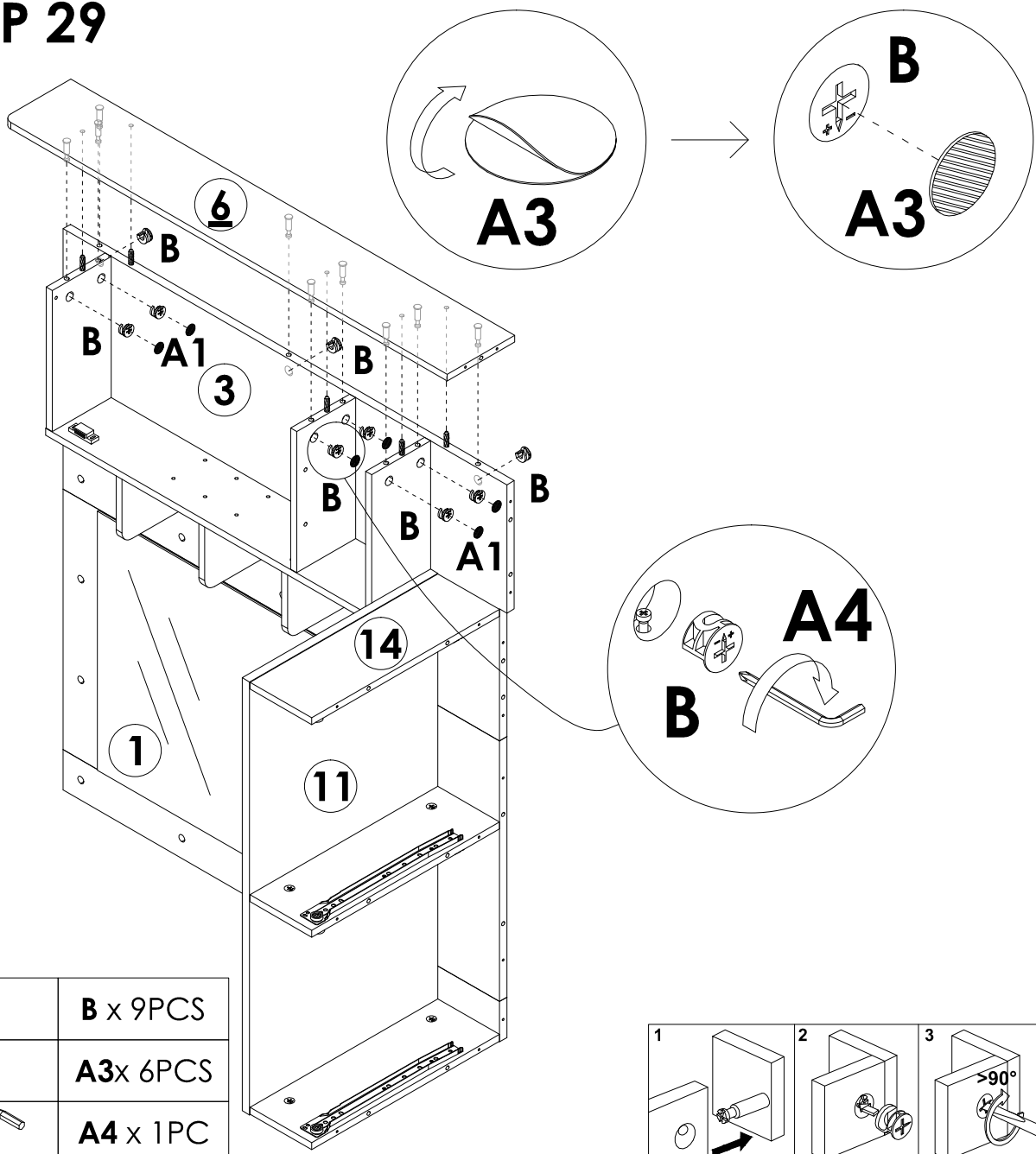
# Assembly Steps(EN) / Montageschritte(DE)

## STEP 28



A x 9PCS

## STEP 29



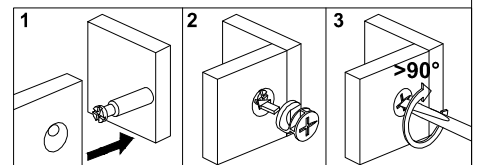
B x 9PCS



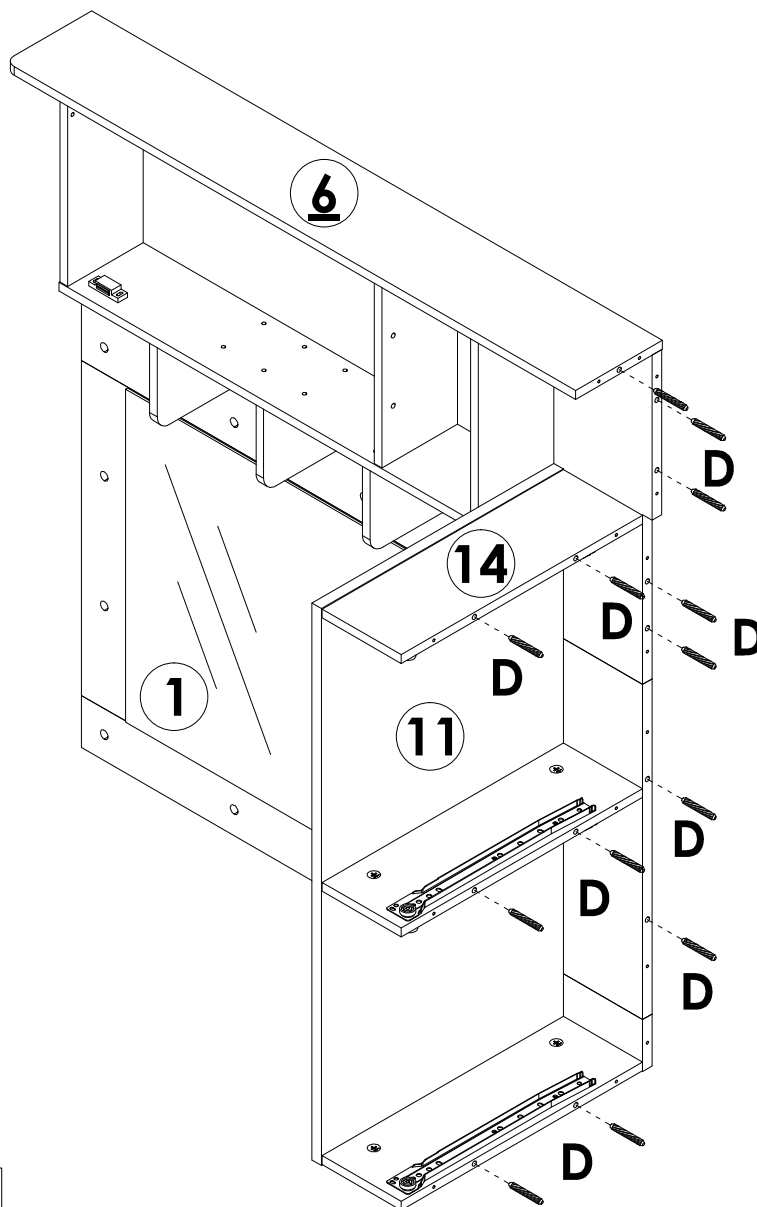
A3 x 6PCS



A4 x 1PC

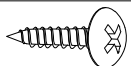
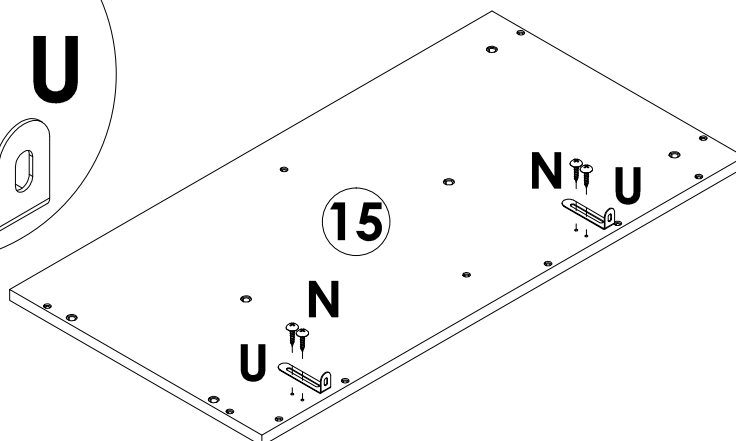
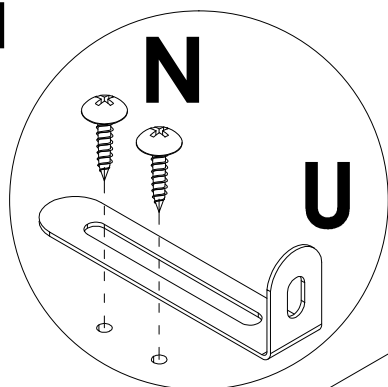


# STEP 30



**D** x 13PCS

# STEP 31

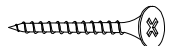
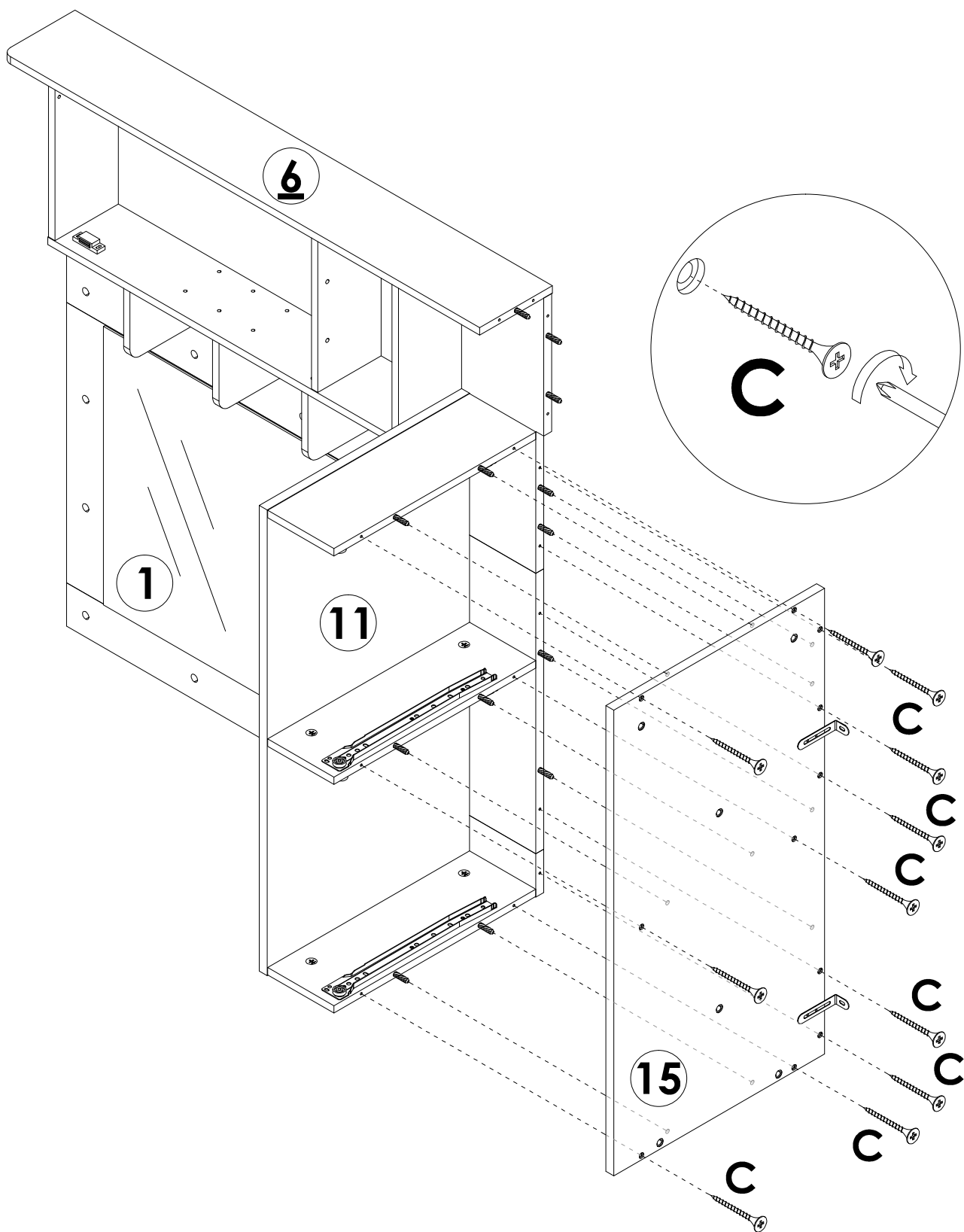


**N** x 4PCS



**U** x 2PCS

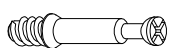
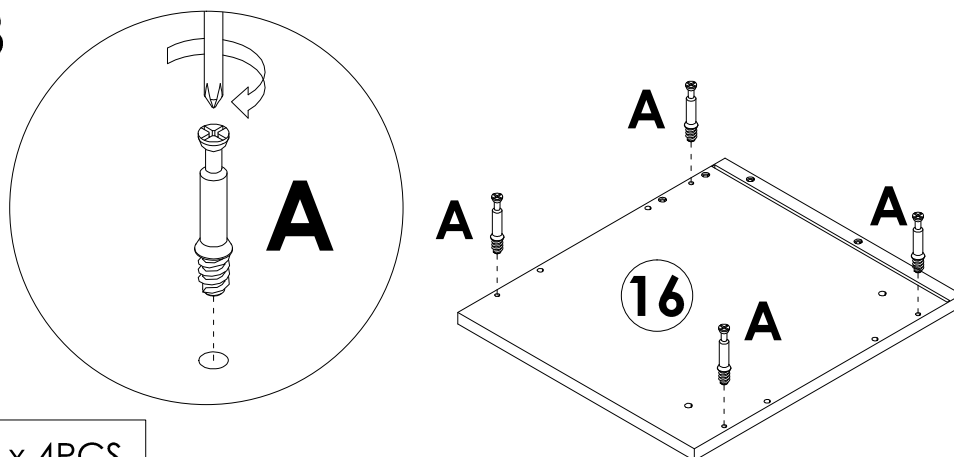
# STEP 32



C x 11PCS

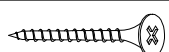
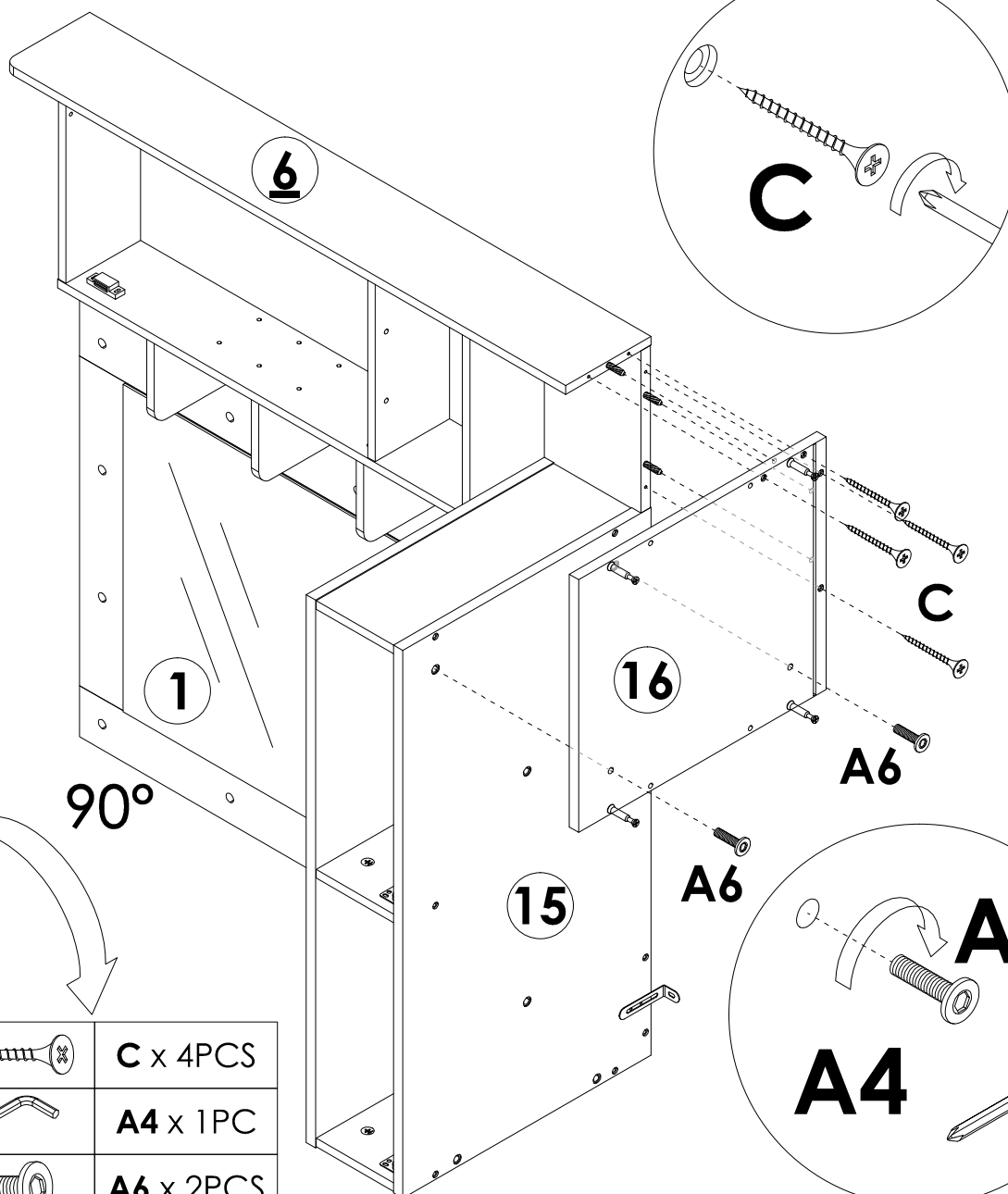
# Assembly Steps(EN) / Montageschritte(DE)

## STEP 33



A x 4PCS

## STEP 34



C x 4PCS

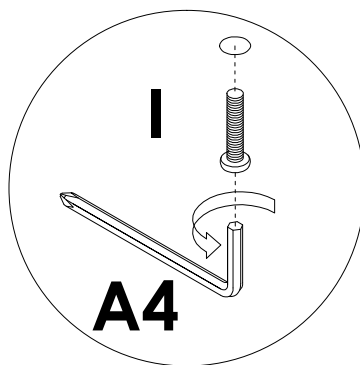
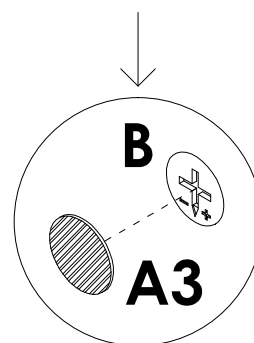
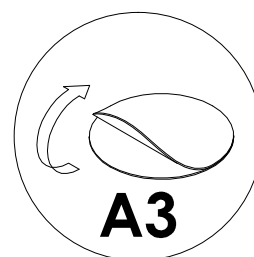
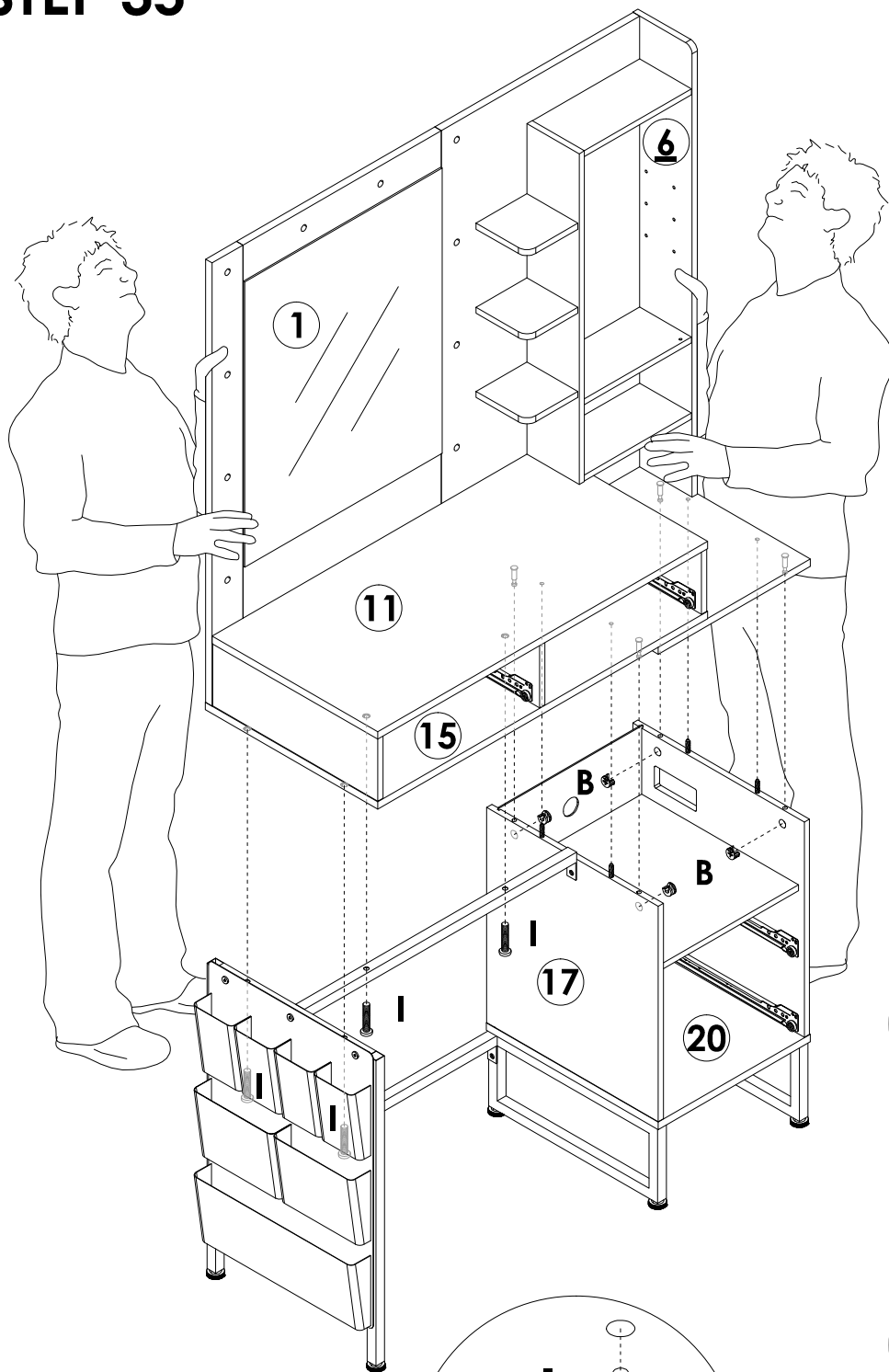



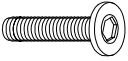


A4 x 1PC

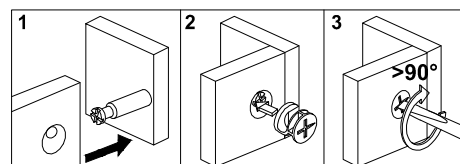


A6 x 2PCS

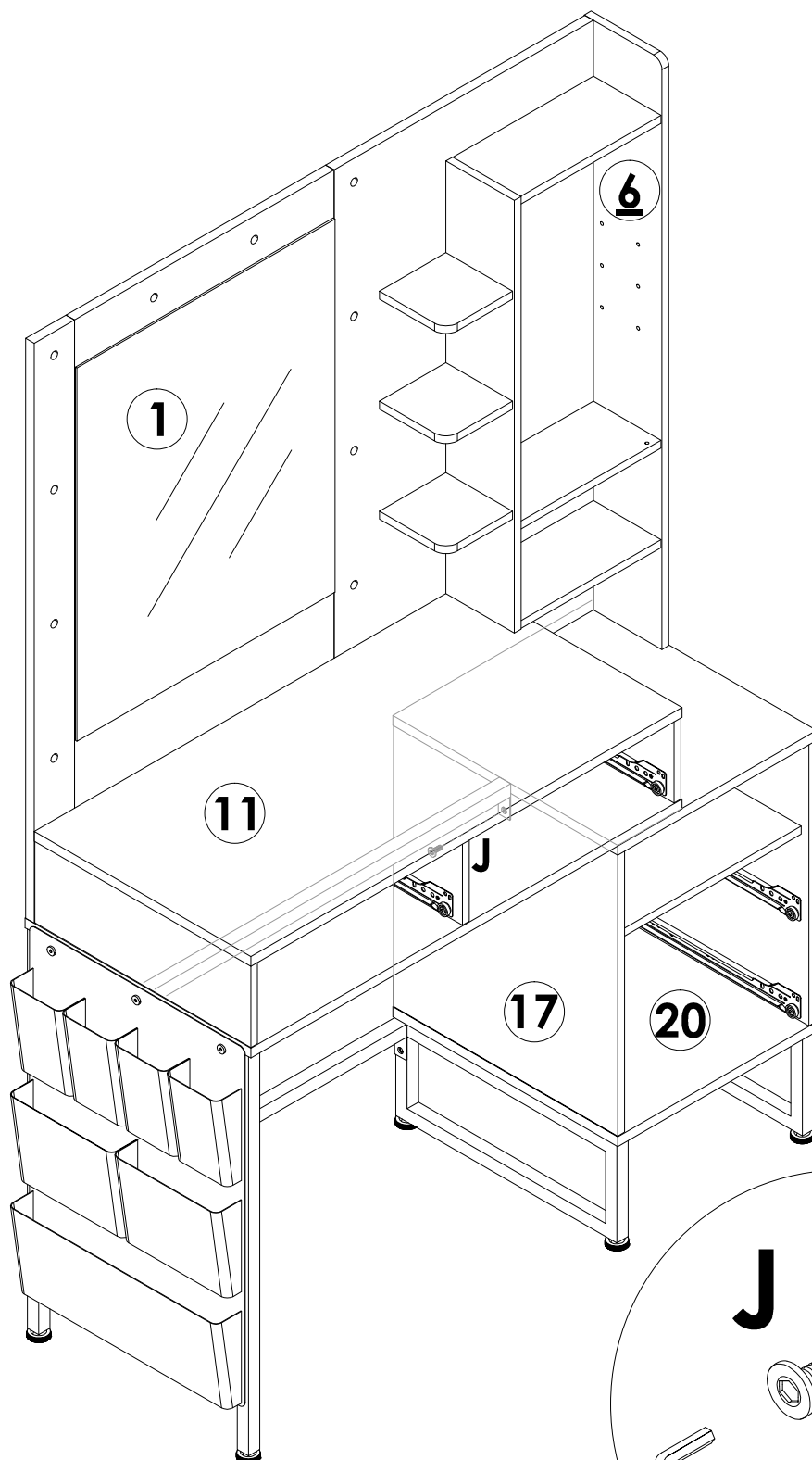
# STEP 35

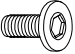



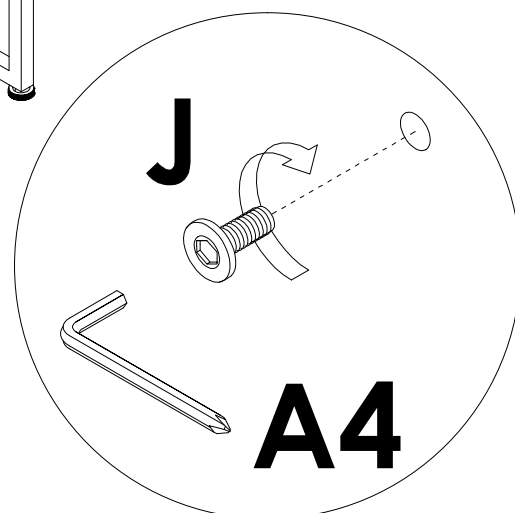
|   |                  |
|---|------------------|
|  | <b>B</b> x 4PCS  |
|  | <b>I</b> x 4PCS  |
|  | <b>A3</b> x 4PCS |
|  | <b>A4</b> x 1PC  |



# STEP 36

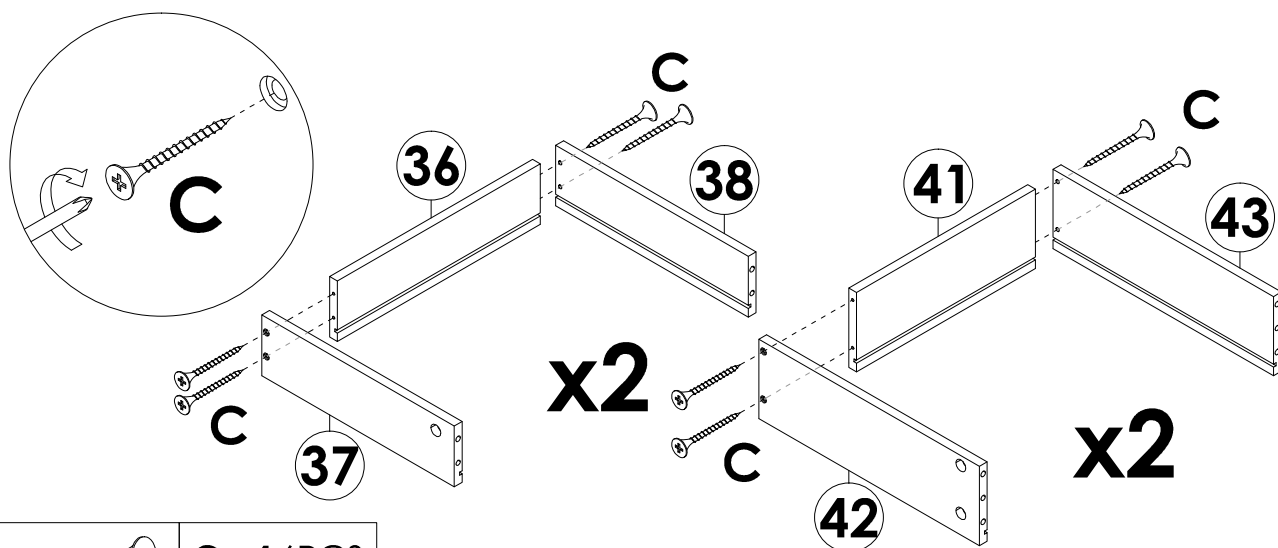


|   |                 |
|---|-----------------|
|  | <b>J</b> x 1PC  |
|  | <b>A4</b> x 1PC |



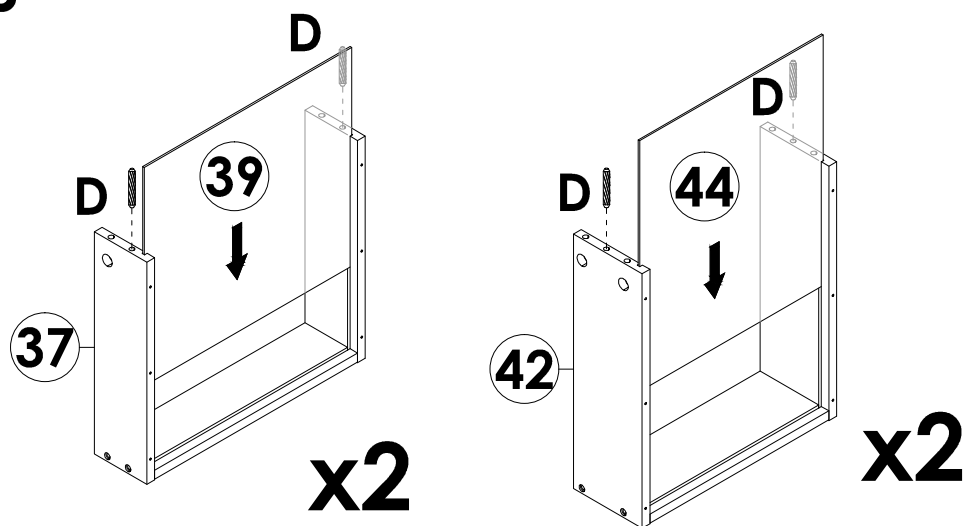
# Assembly Steps(EN) / Montageschritte(DE)

## STEP 37



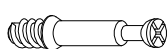
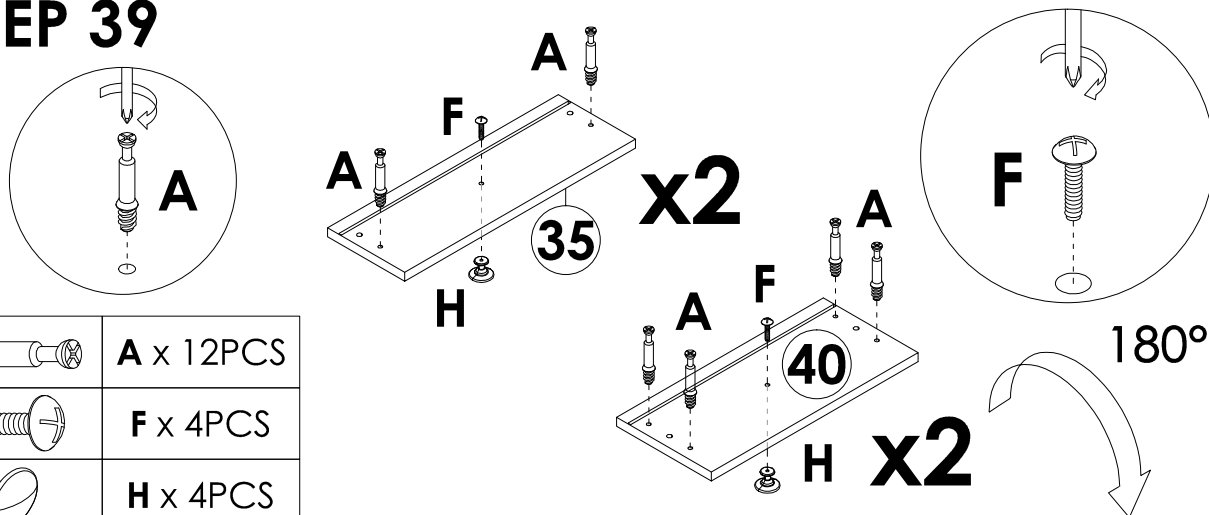
C x 16PCS

## STEP 38

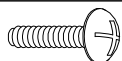


D x 8PCS

## STEP 39



A x 12PCS



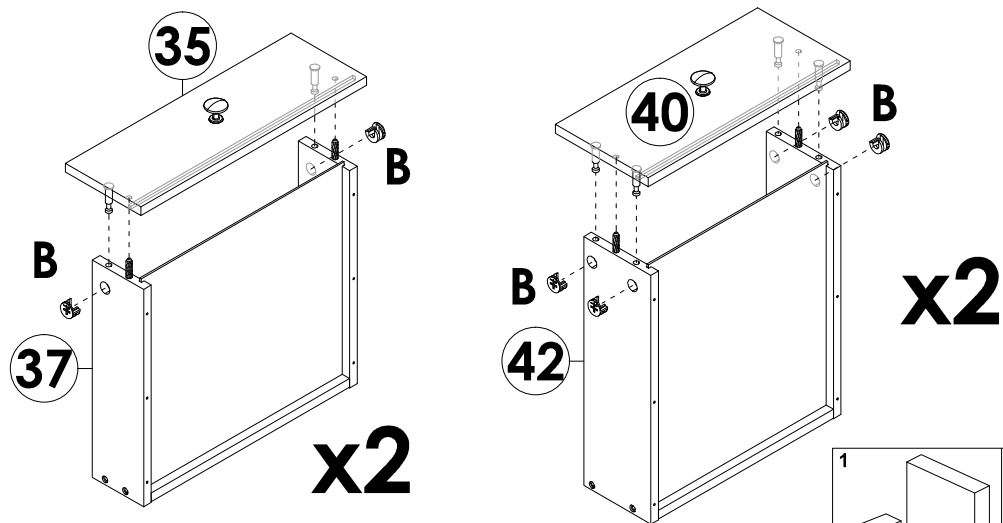
F x 4PCS



H x 4PCS

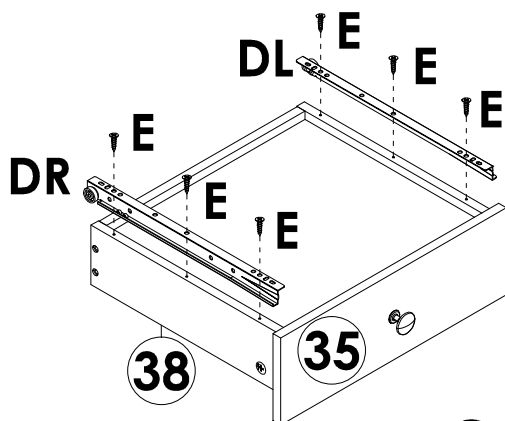
# Assembly Steps(EN) / Montageschritte(DE)

## STEP 40

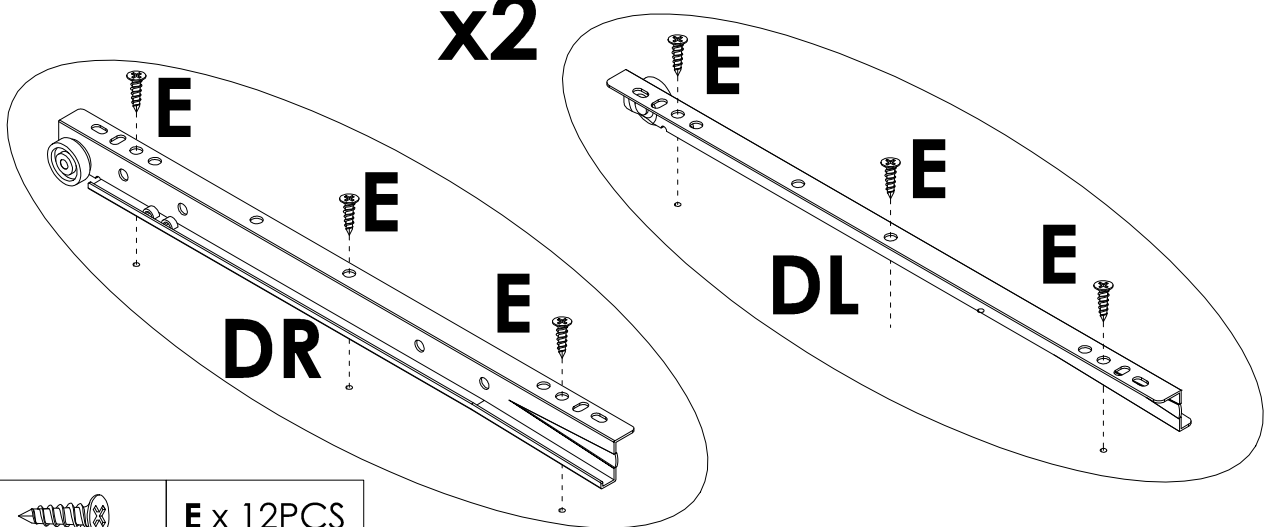


B x 12PCS

## STEP 41



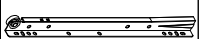
x2



E x 12PCS

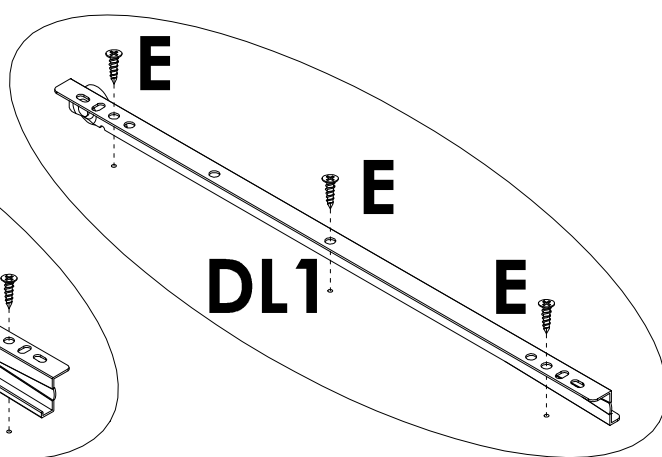
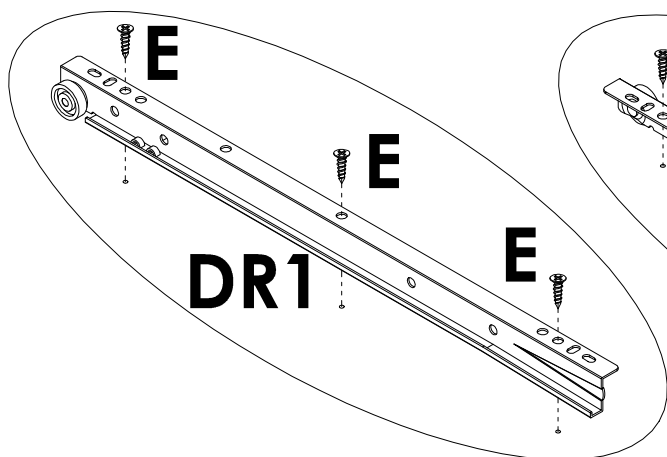
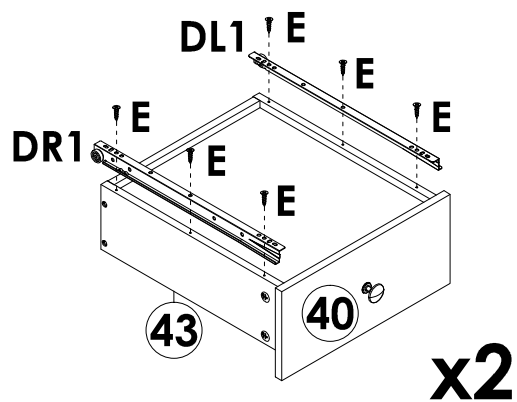





DL x 2PCS



DR x 2PCS

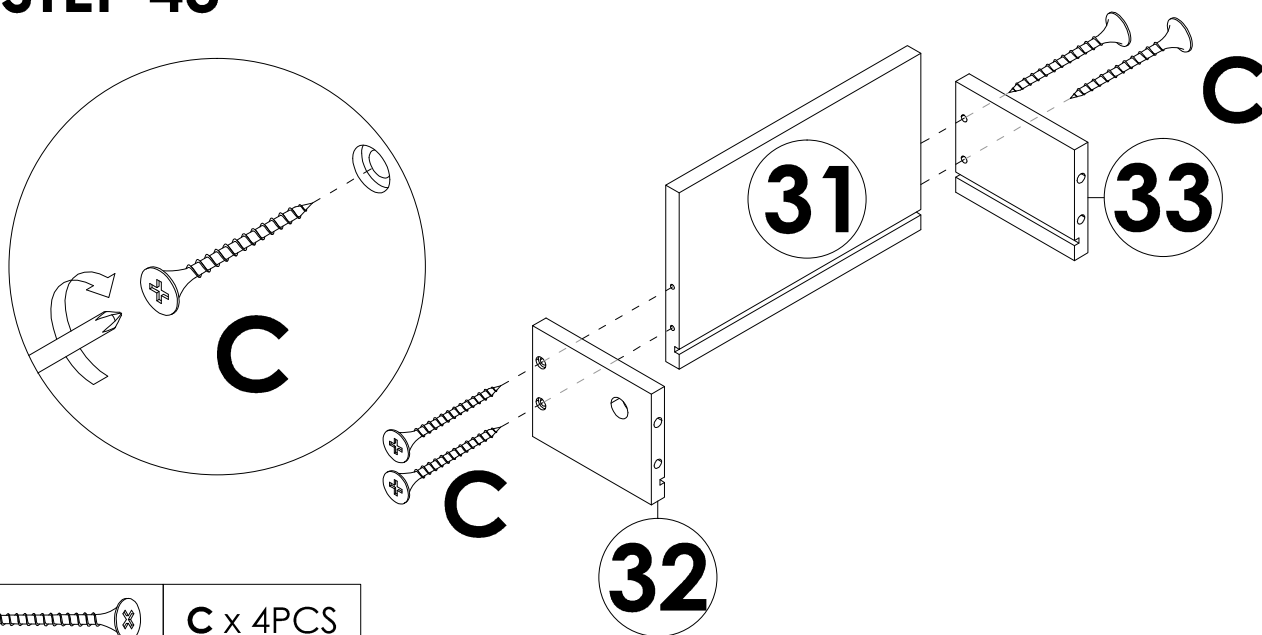
# STEP 42



|   |            |
|---|------------|
|  | E x 12PCS  |
|  | DL1 x 2PCS |
|  | DR1 x 2PCS |

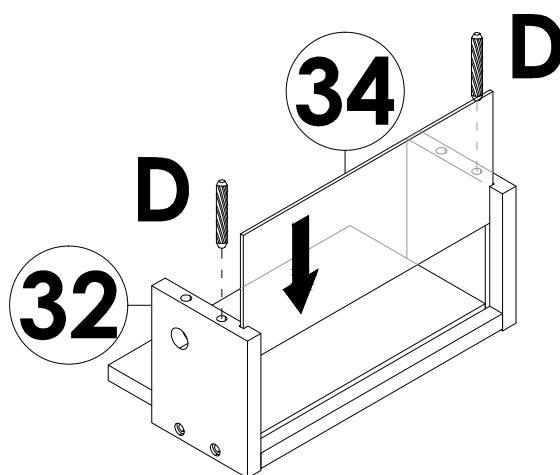
# Assembly Steps(EN) / Montageschritte(DE)


## STEP 43



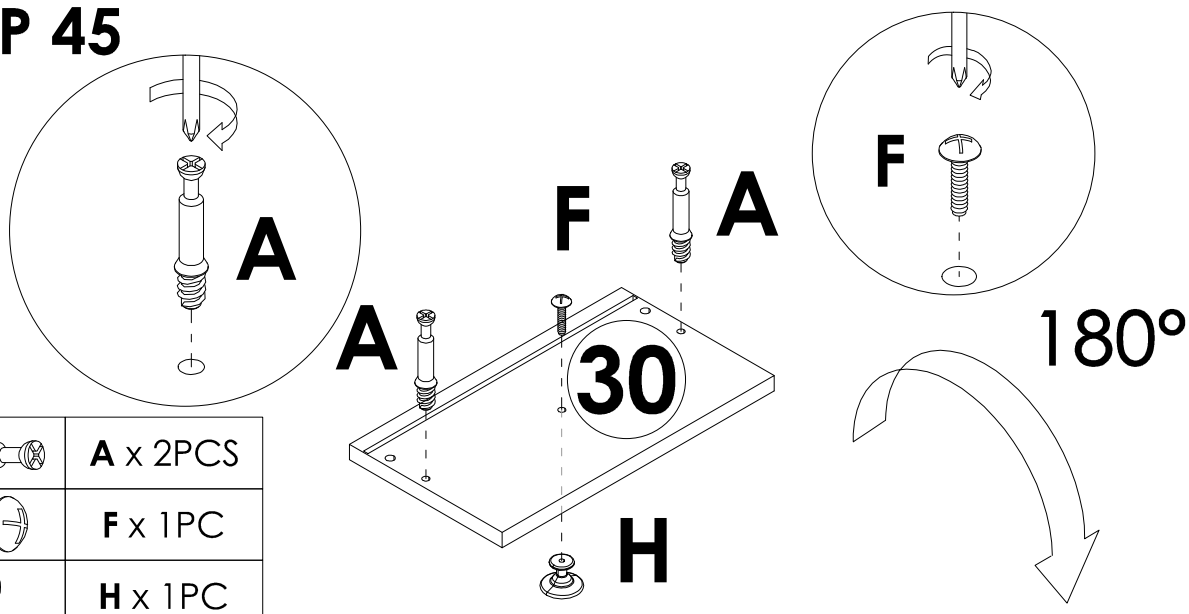
|   |          |
|---|----------|
|  | C x 4PCS |
|---|----------|

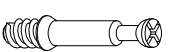


## STEP 44



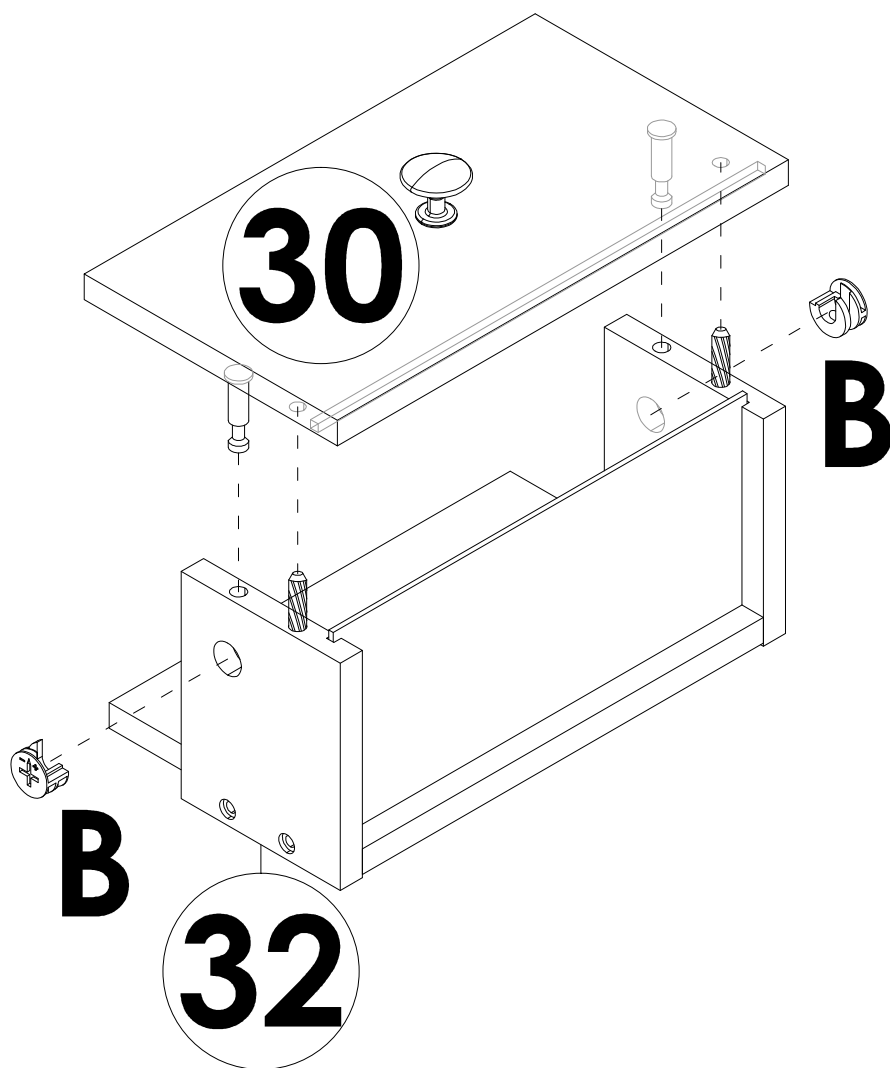
|   |          |
|---|----------|
|  | D x 2PCS |
|---|----------|

## STEP 45

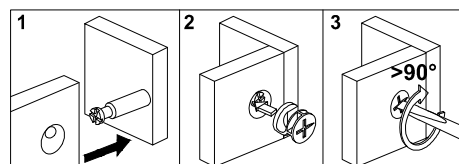


|   |          |
|---|----------|
|  | A x 2PCS |
|  | F x 1PC  |
|  | H x 1PC  |

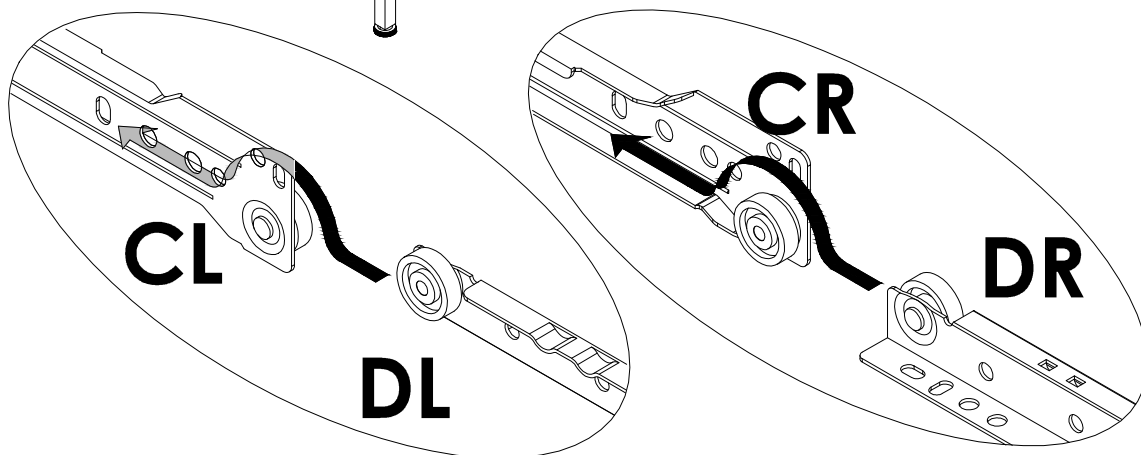
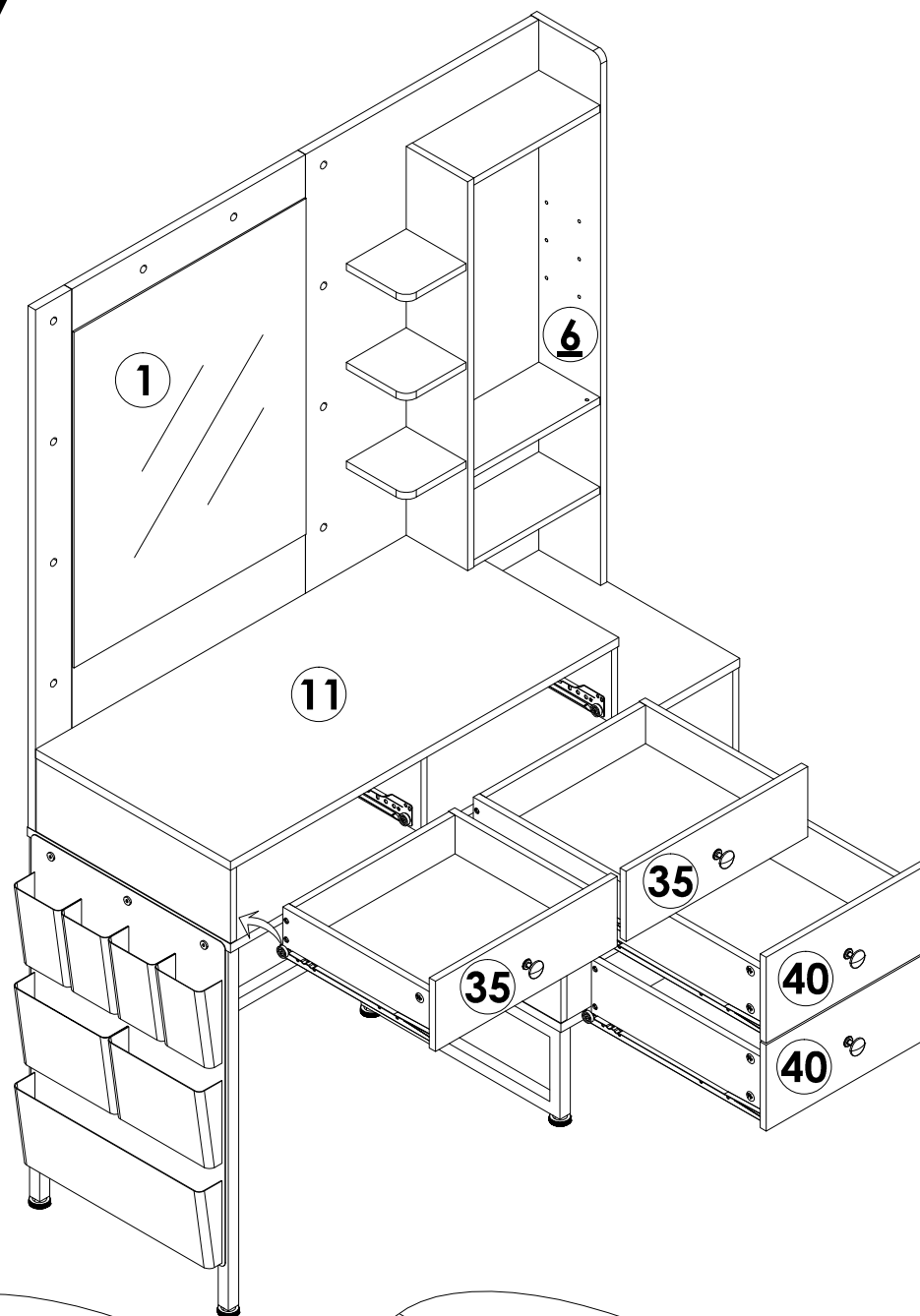
# STEP 46



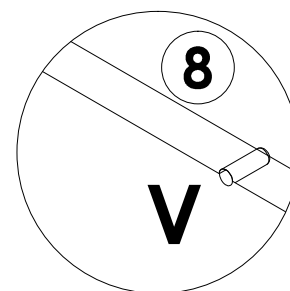
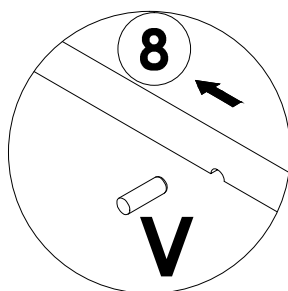
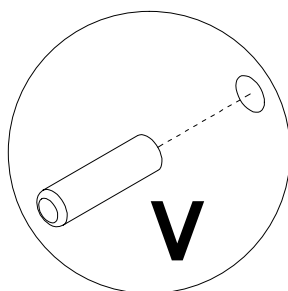
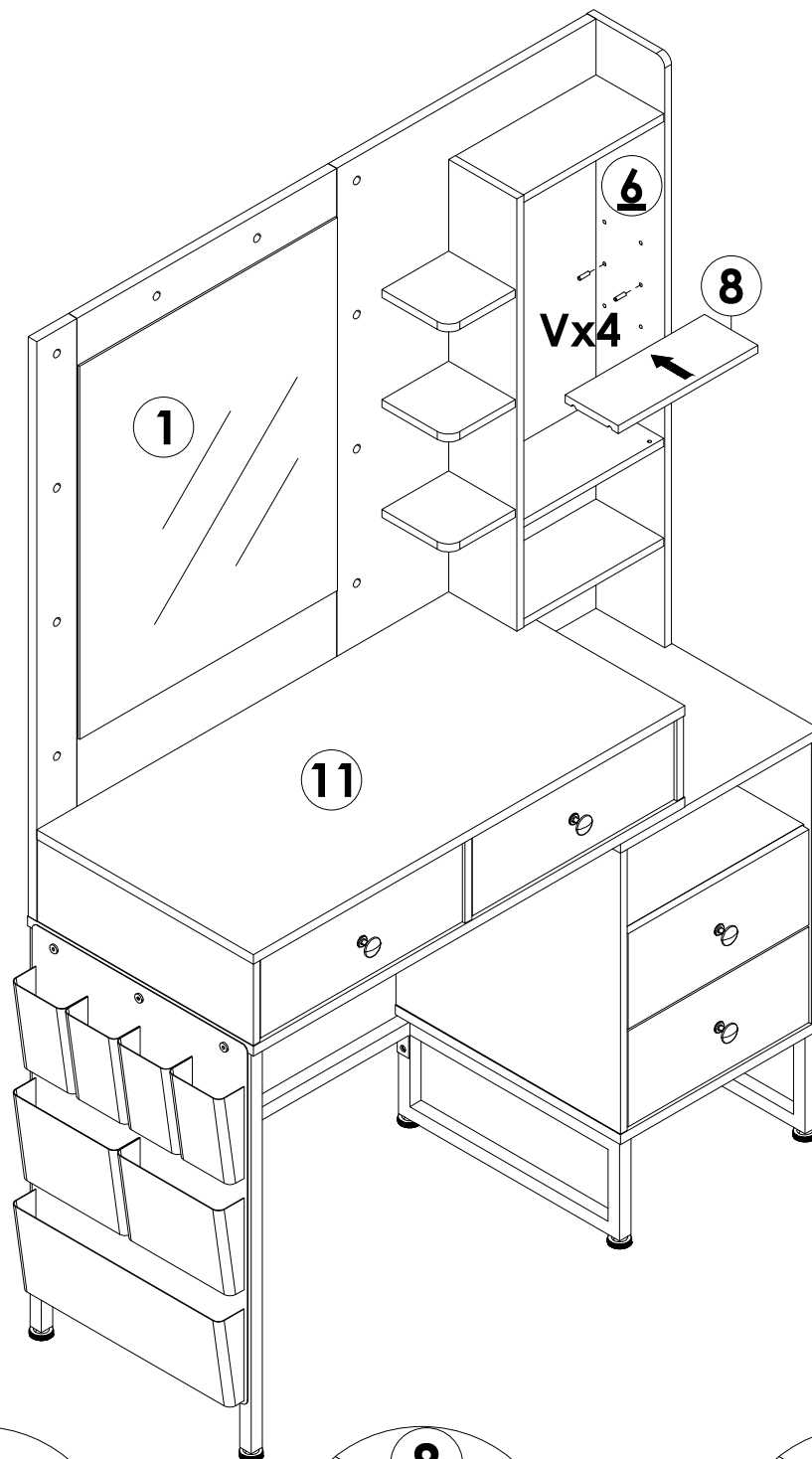
**B** x 2PCS



# STEP 47






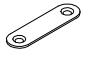

# STEP 48

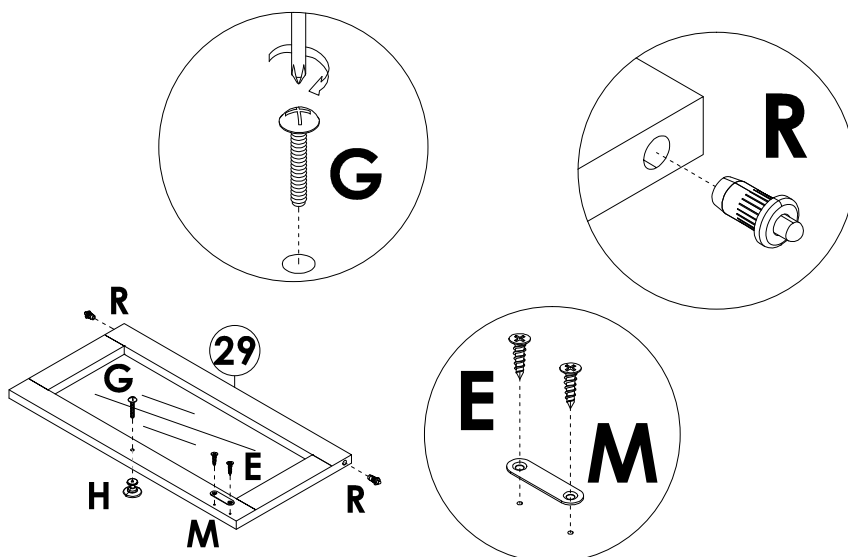


V x 4PCS

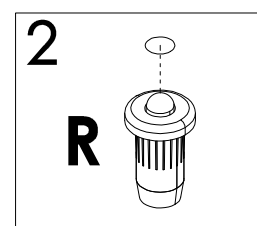
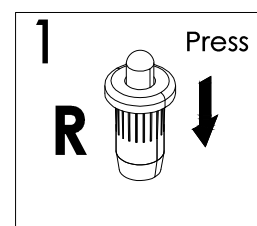
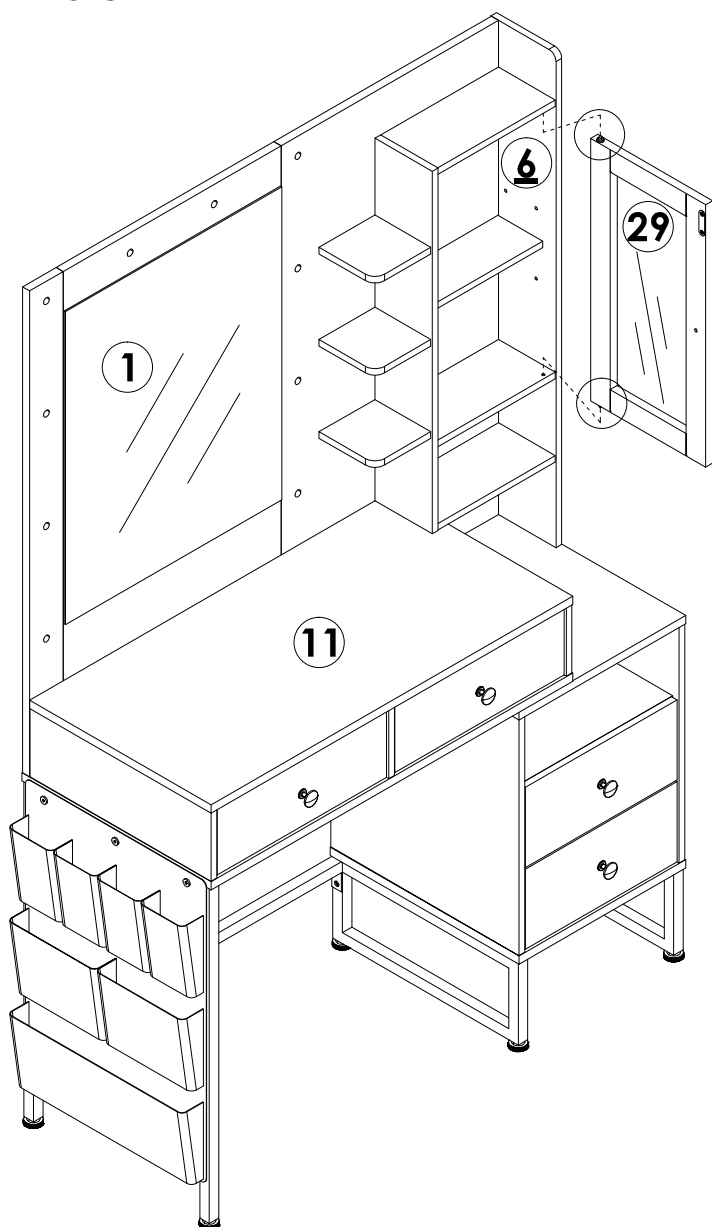
# Assembly Steps(EN) / Montageschritte(DE)

## STEP 49

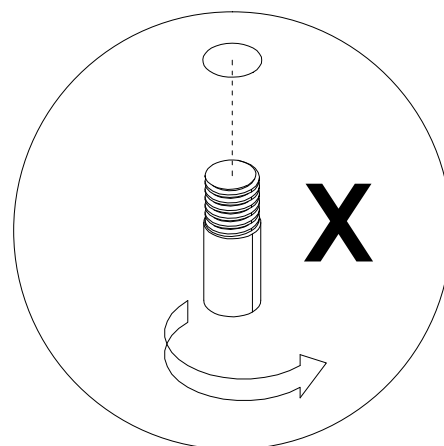
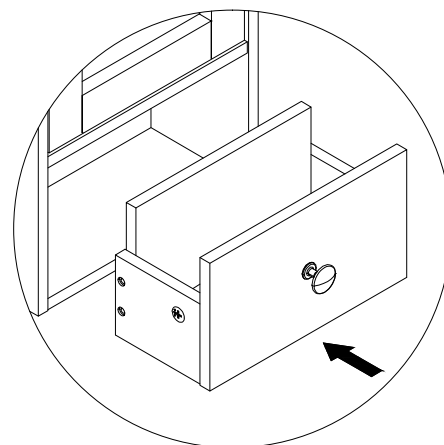
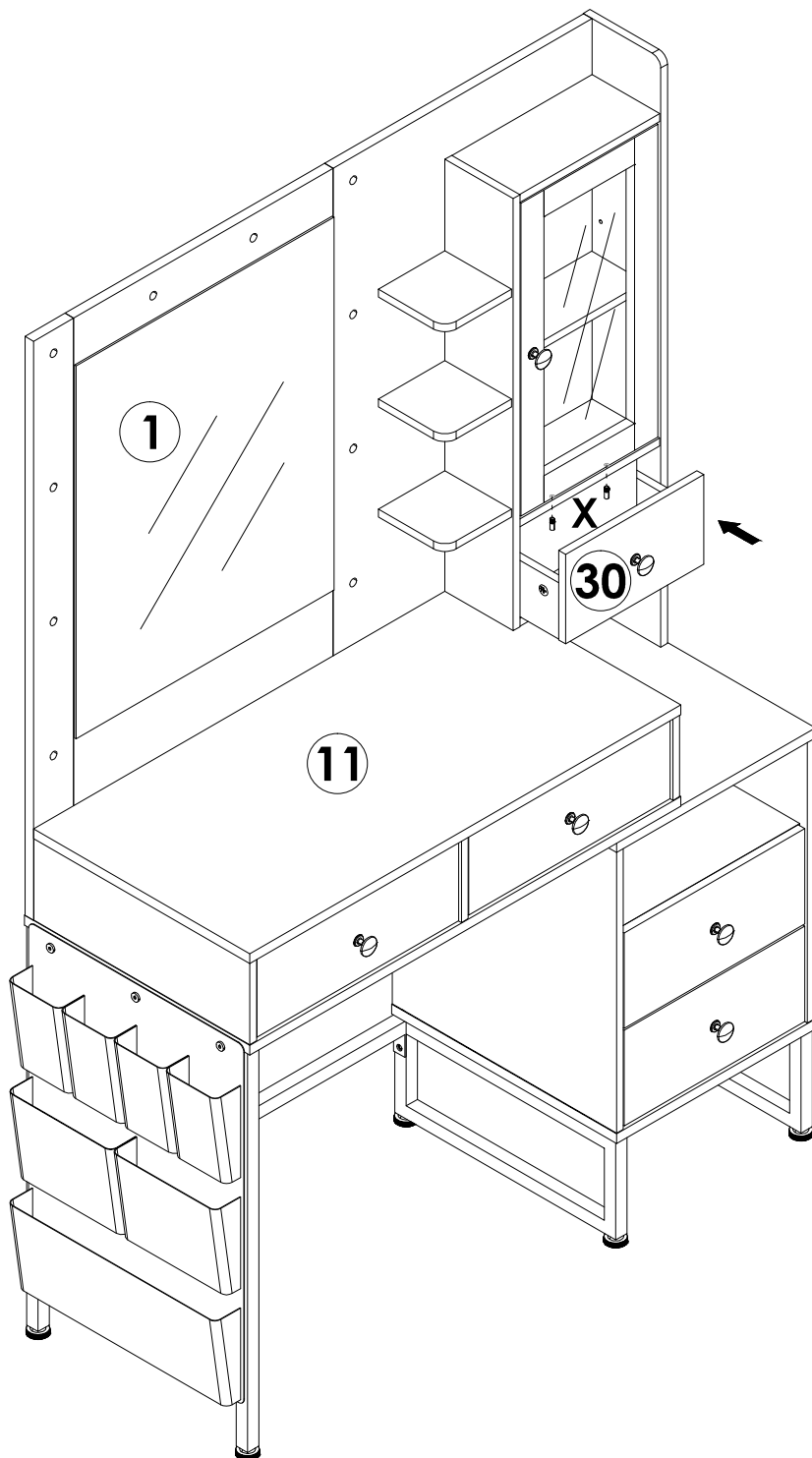
|   |          |
|---|----------|
|  | E x 2PCS |
|  | G x 1PC  |
|  | H x 1PC  |
|  | M x 1PC  |
|  | R x 2PCS |



## STEP 50

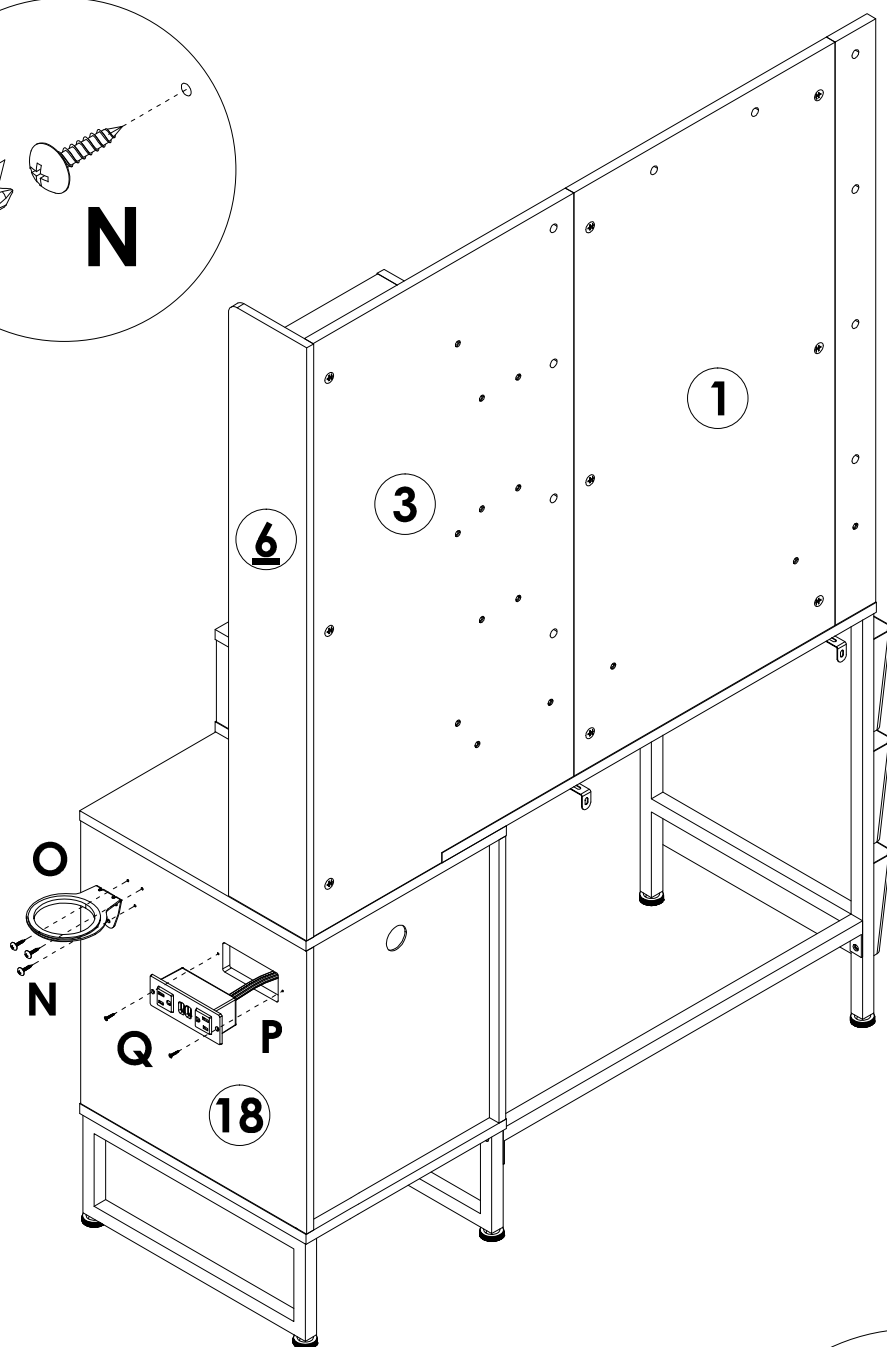
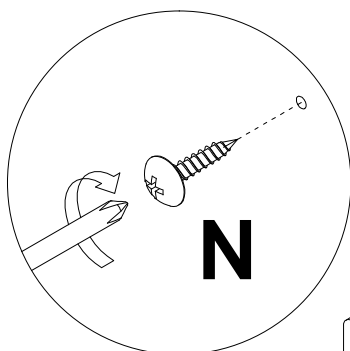


# STEP 51

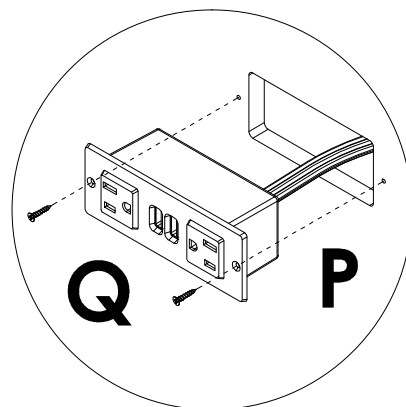
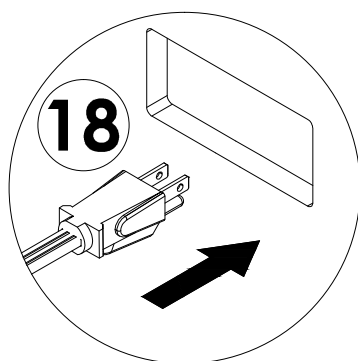


X x 2PCS

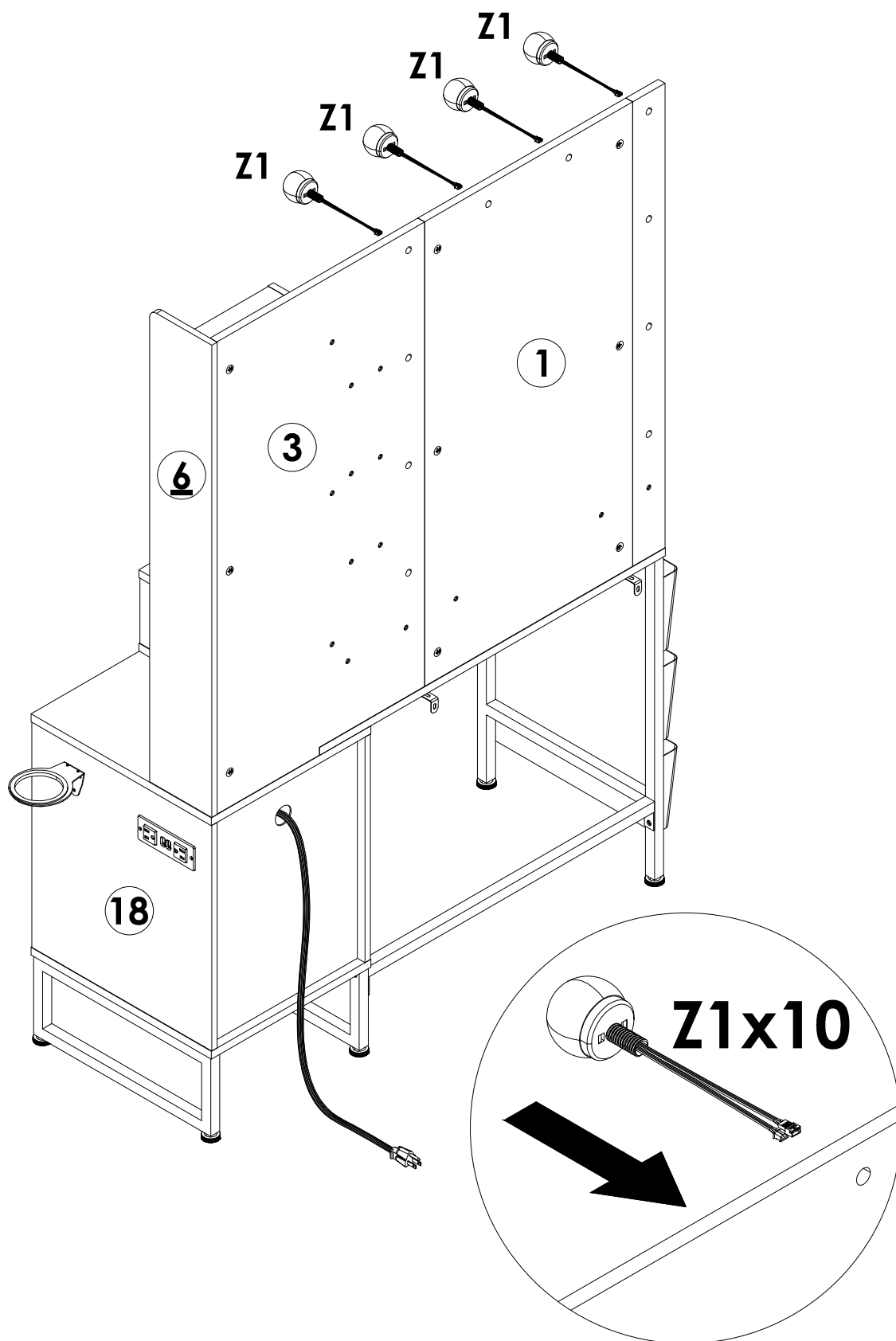
# STEP 52



|  |                 |
|--|-----------------|
|  | <b>N</b> x 3PCS |
|  | <b>O</b> x 1PC  |
|  | <b>P</b> x 1PC  |
|  | <b>Q</b> x 2PCS |

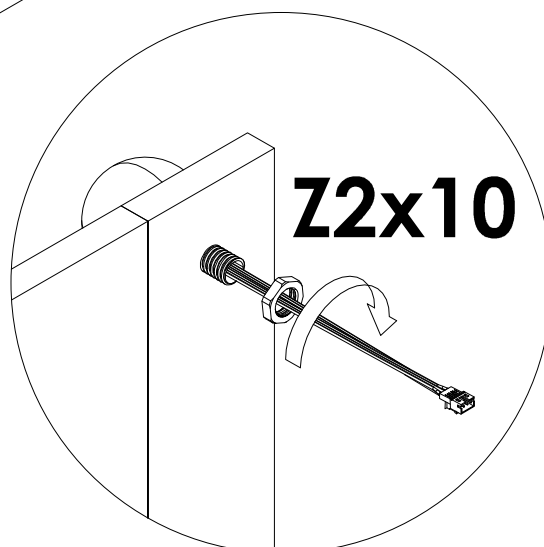
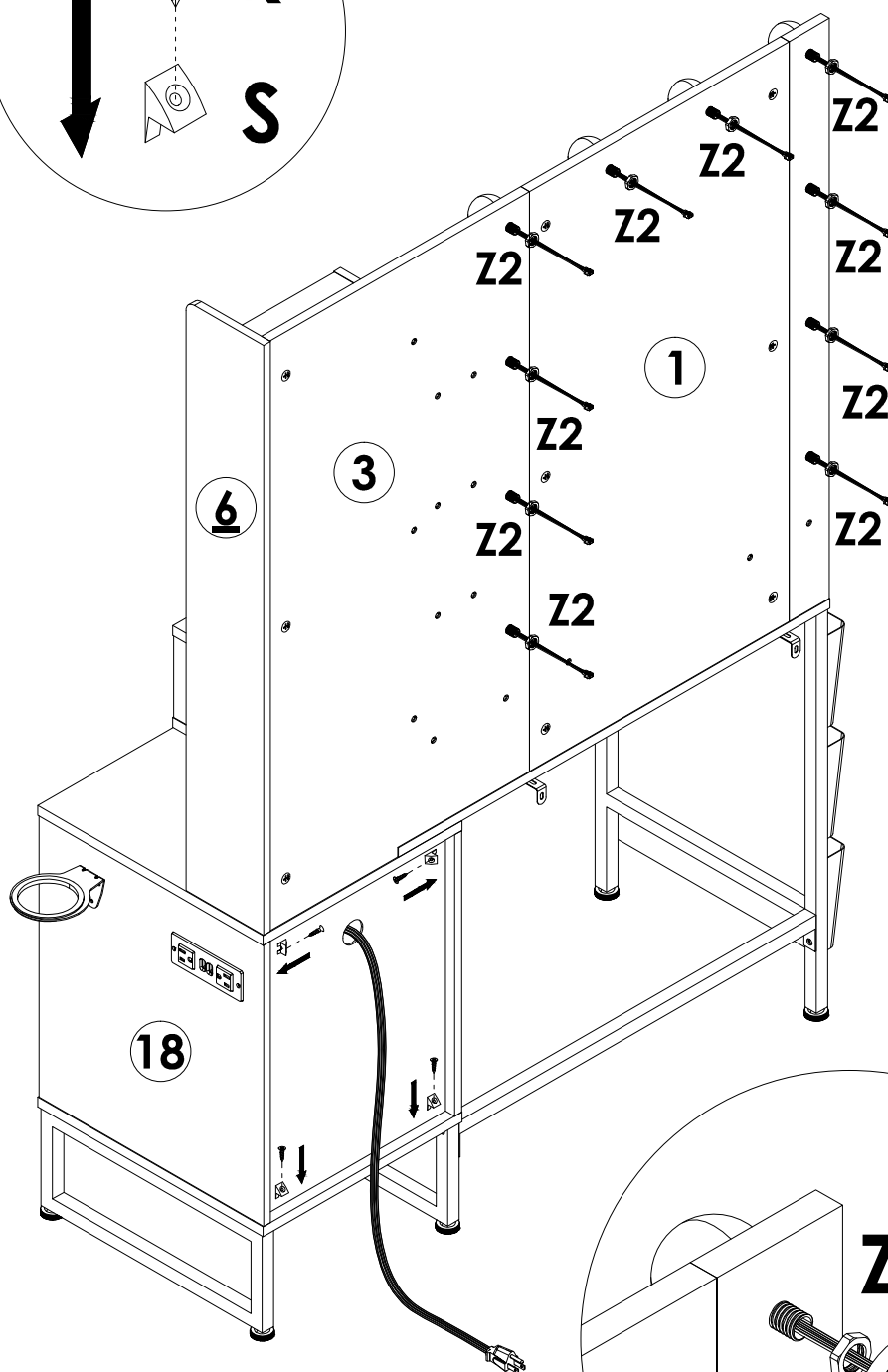
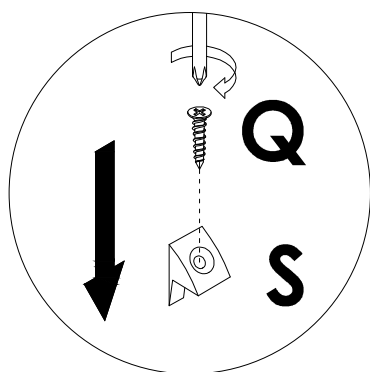





# STEP 53



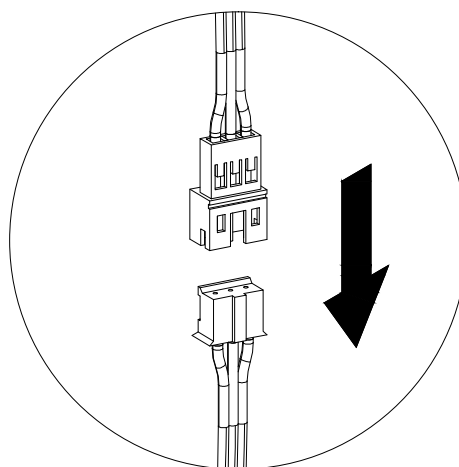
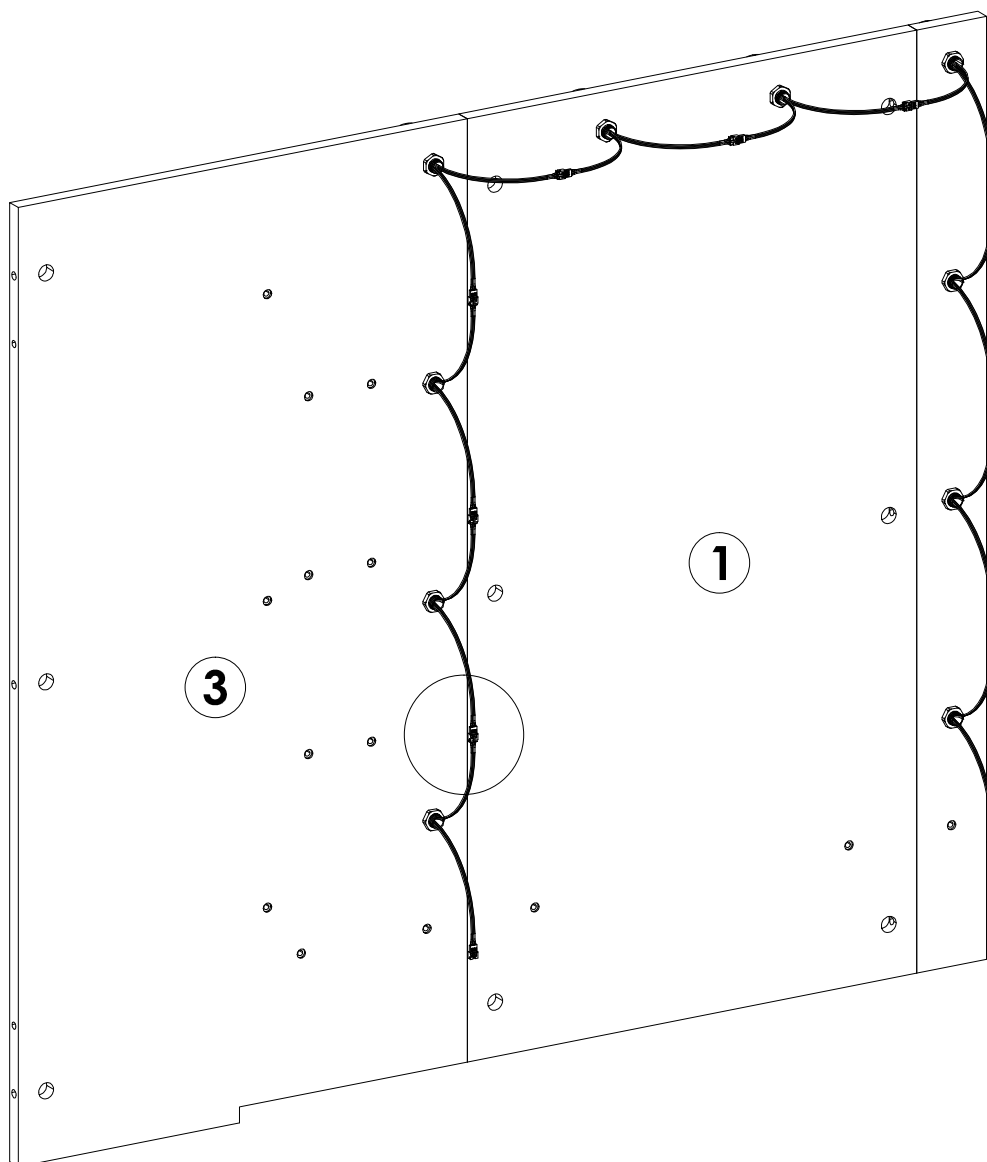
Z1 x 10PCS

# STEP 54

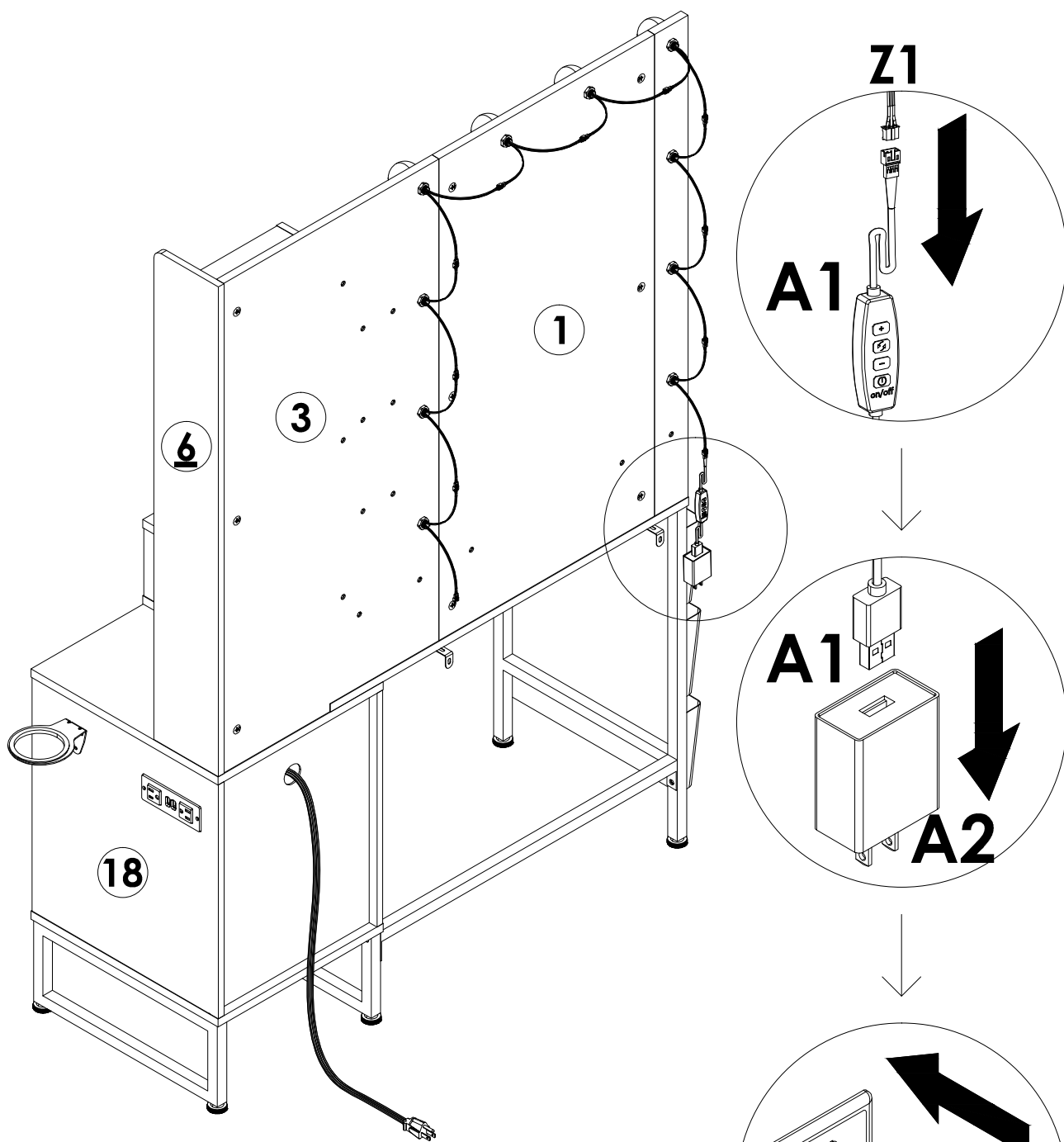


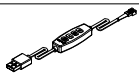

|   |                   |
|---|-------------------|
|  | <b>Q</b> x 4PCS   |
|  | <b>S</b> x 4PCS   |
|  | <b>Z2</b> x 10PCS |

# STEP 55



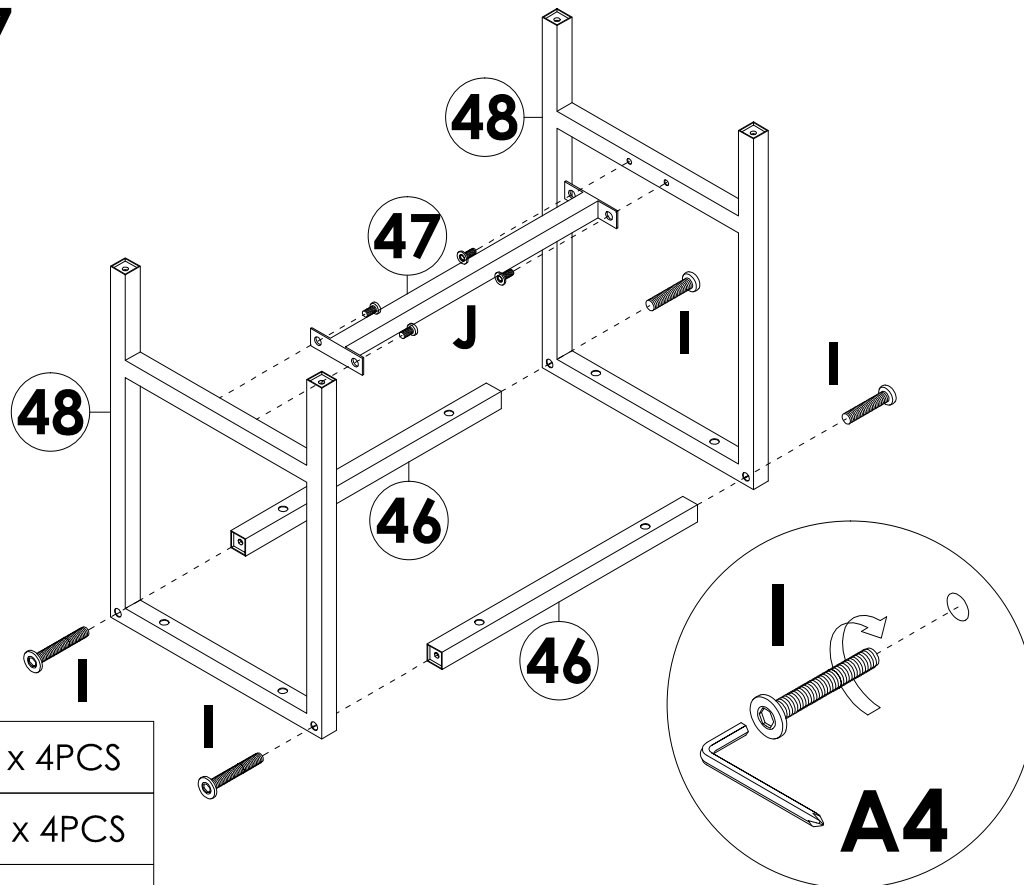
# STEP 56

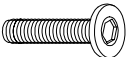
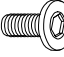



|   |                 |
|---|-----------------|
|  | <b>A1</b> x 1PC |
|  | <b>A2</b> x 1PC |

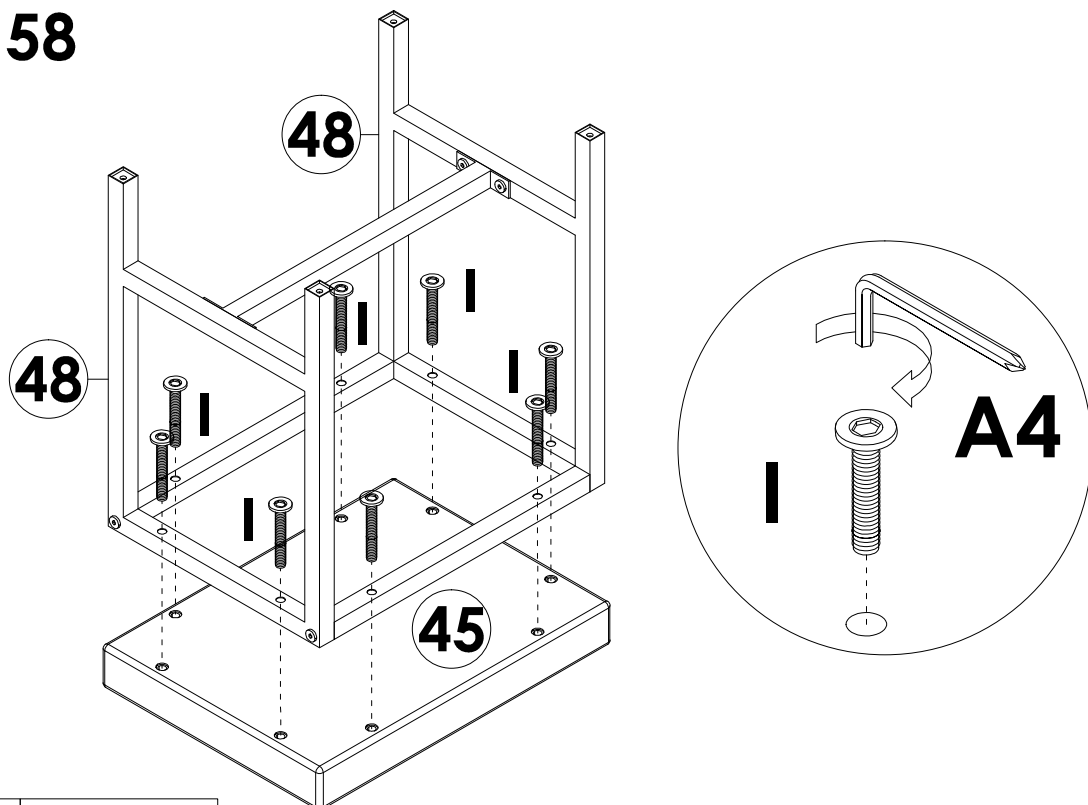
# Assembly Steps(EN) / Montageschritte(DE)

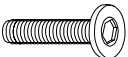

## STEP 57



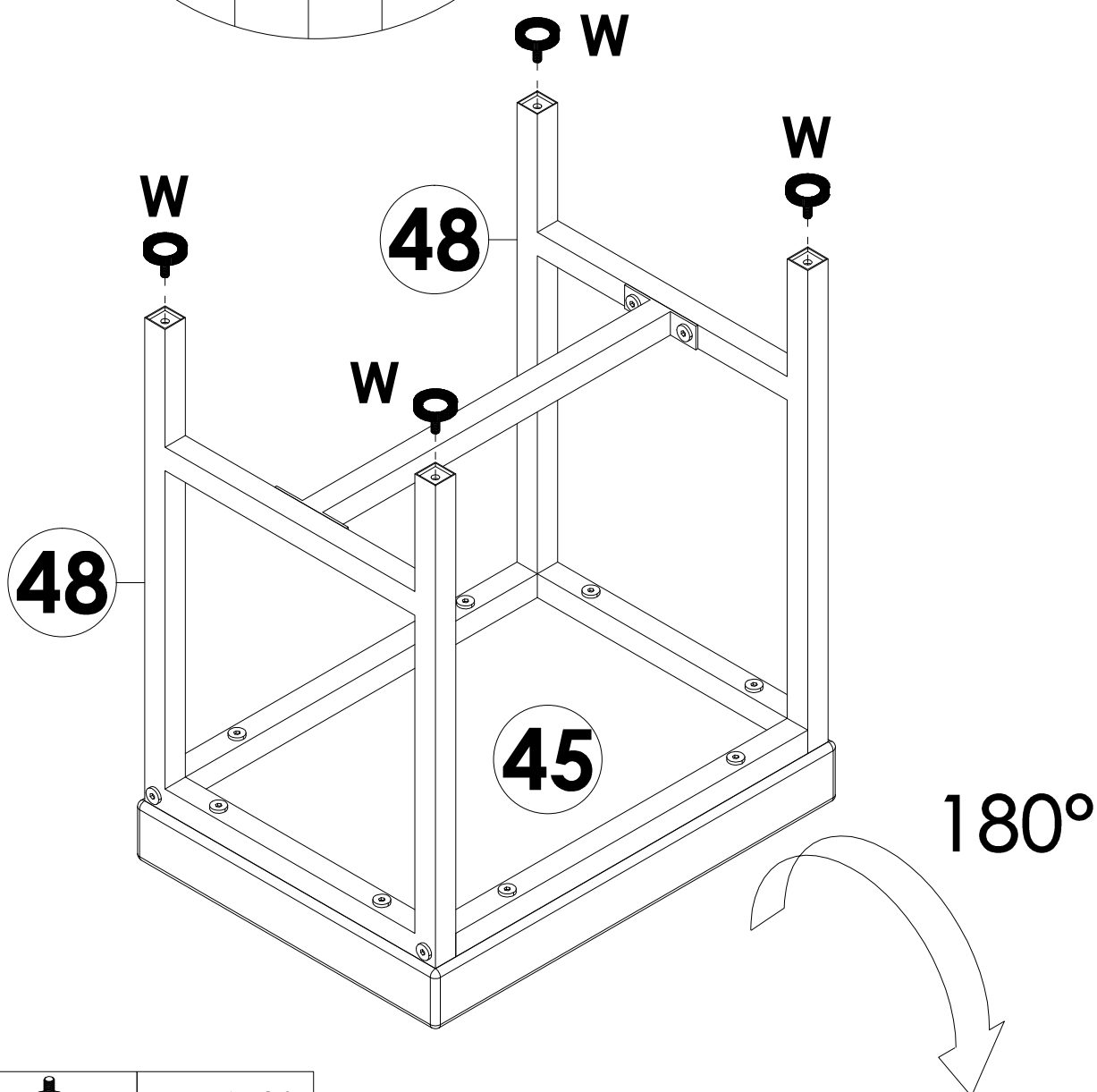
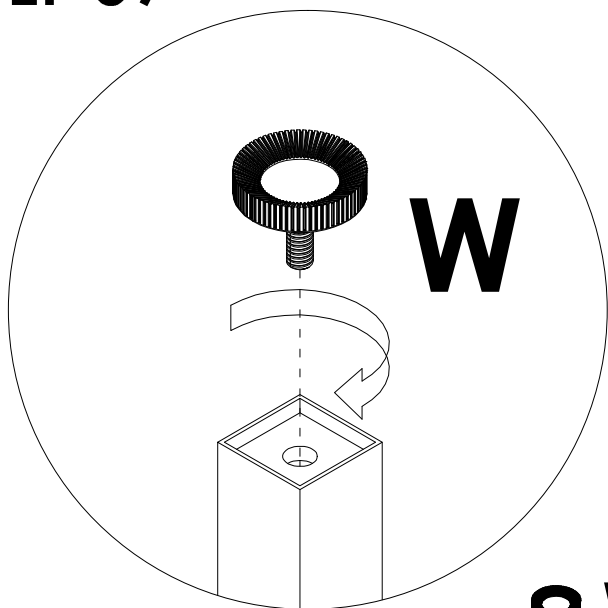
|   |          |
|---|----------|
|    | I x 4PCS |
|   | J x 4PCS |
|  | A4 x 1PC |

## STEP 58



|   |          |
|---|----------|
|  | I x 8PCS |
|  | A4 x 1PC |

# STEP 59

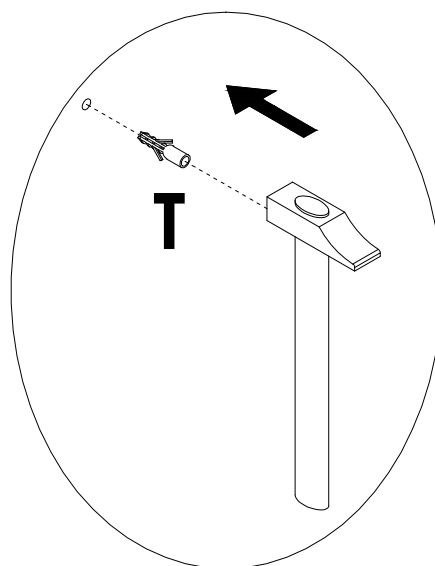
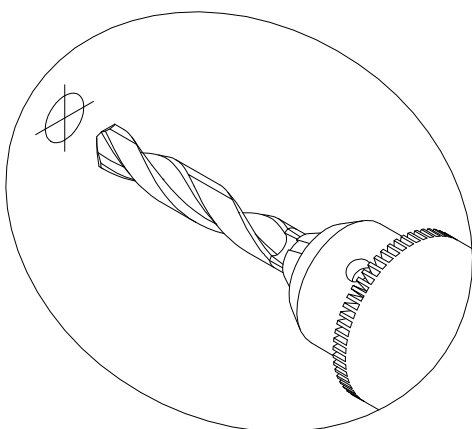


W x 4PCS

# Assembly Steps(EN) / Montageschritte(DE)

## STEP 60

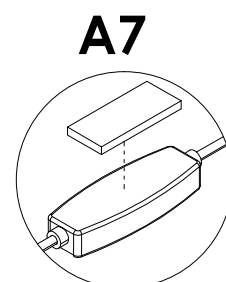
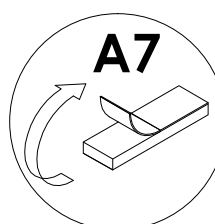
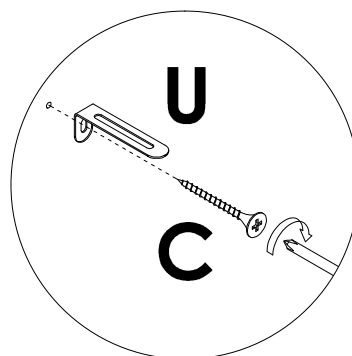
WALL



T x 2PCS

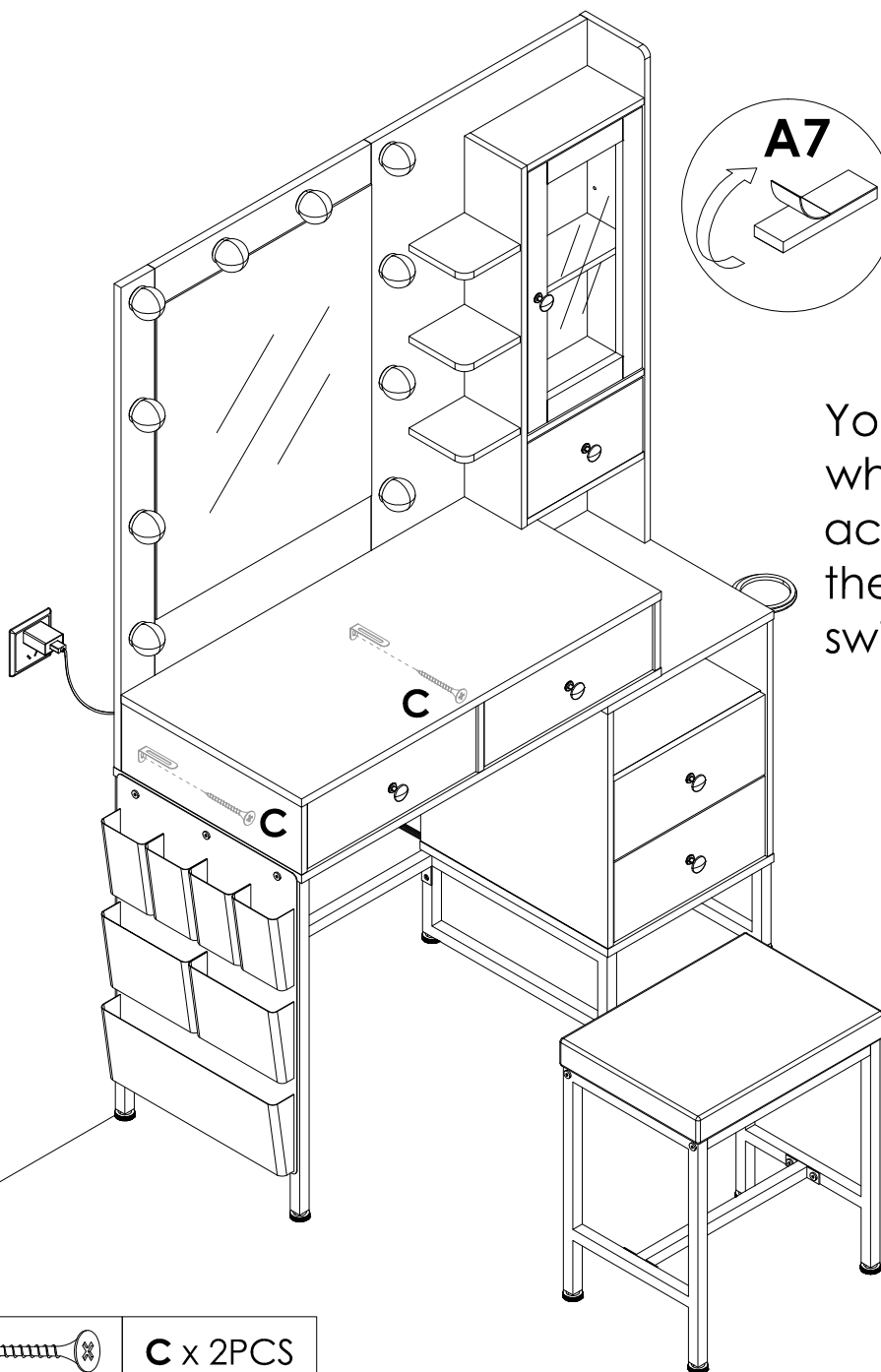
# STEP 61

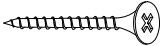

WALL



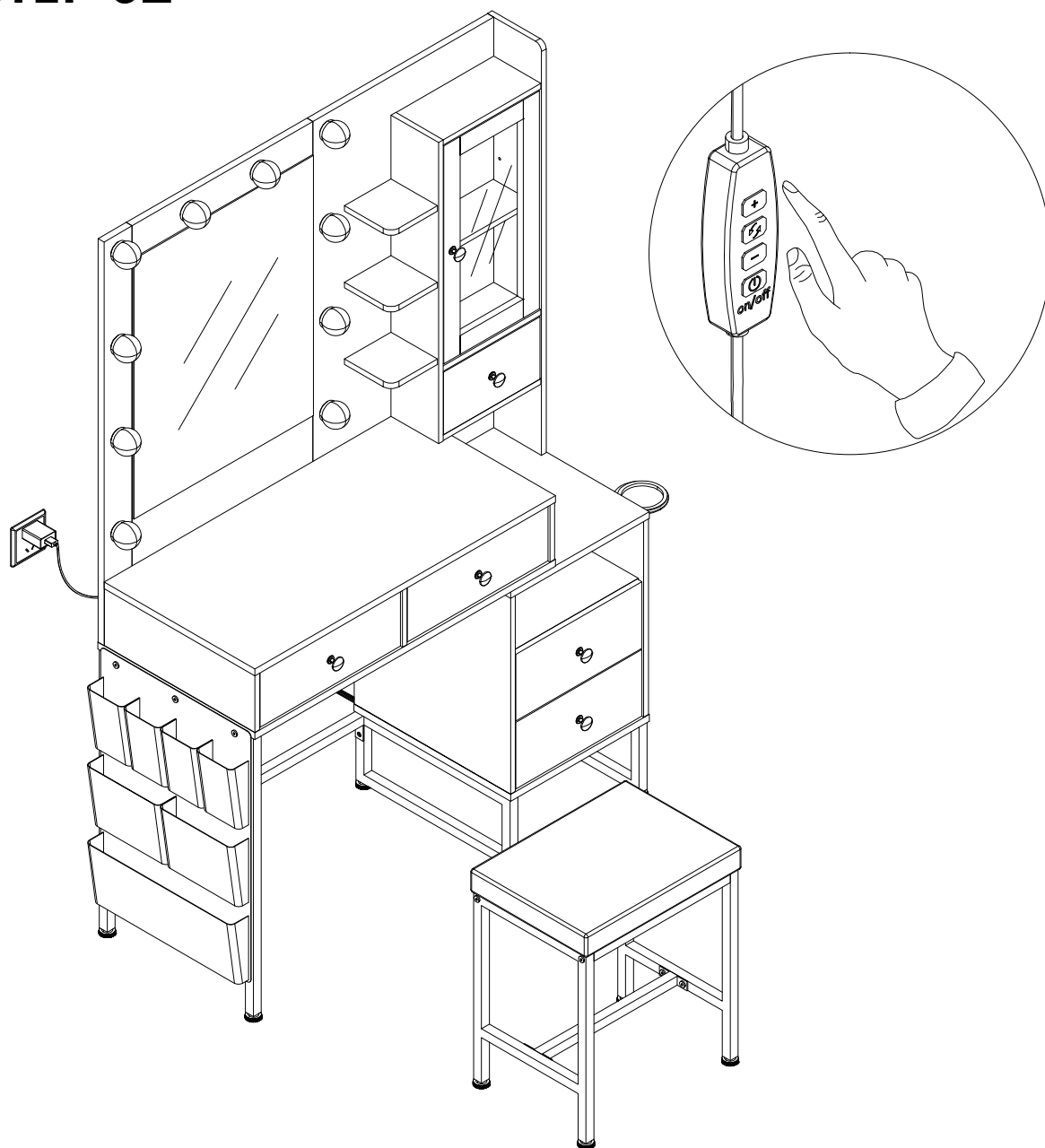
**A1**

You can choose whether to use accessory A7 to fix the mirror bulb switch.



|   |                 |
|---|-----------------|
|  | <b>C</b> x 2PCS |
|  | <b>A7</b> x 1PC |

## STEP 62



When the power is turned on, press the button , the light bulb is turned on/off.

When the light bulb is turn on, press the button to change the light color.

Press + or - button to adjust the brightness of the light, and the color of the light will not be changed.

# **WARNING**



Children have died from furniture tipover. To reduce the risk of furniture tipover:

- **ALWAYS** install Anti-tip device provided.
- **NEVER** put a TV on this product.
- **NEVER** allow children to stand, climb or hang on any drawers, doors, or shelves.
- **NEVER** open more than one drawer at a time.
- Place heaviest items in the lowest drawers.

***This is a permanent label.  
Do not remove!***