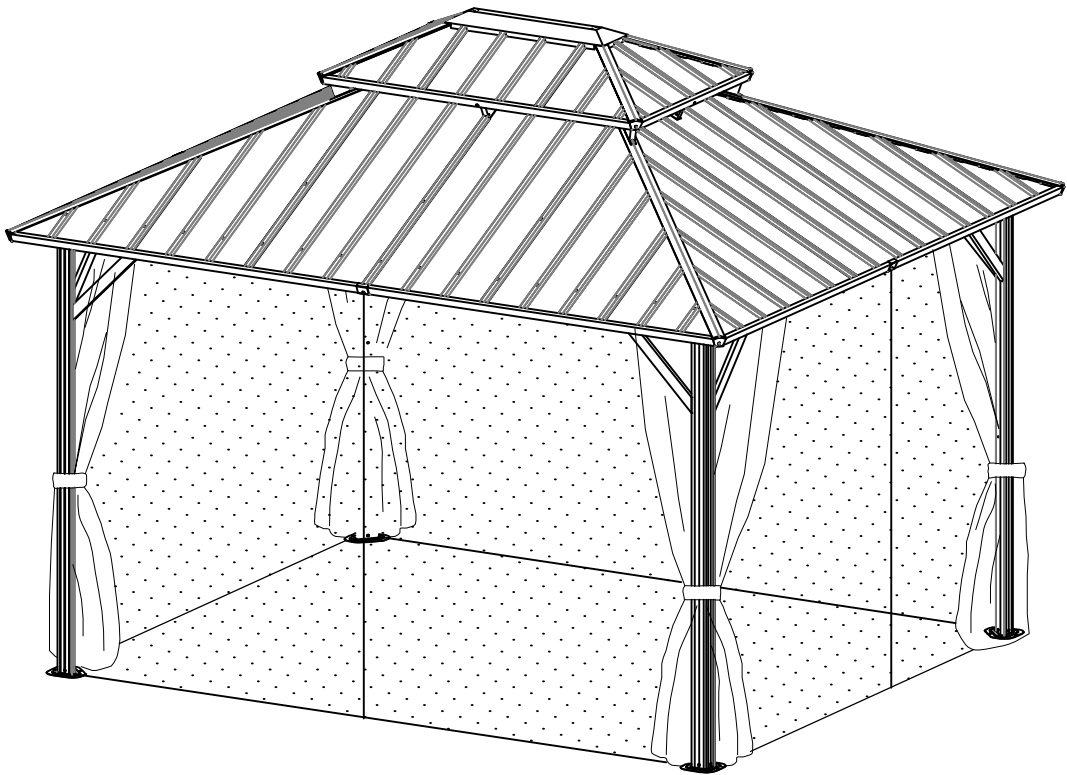
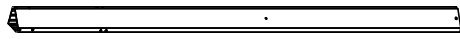


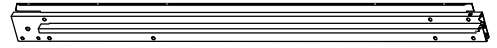
10 x 12FT

WQG-028-2





A7 4x



W5 2x



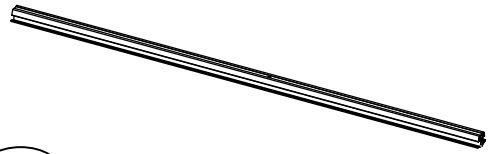
W6 2x



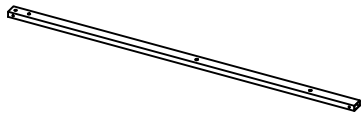
W7 2x



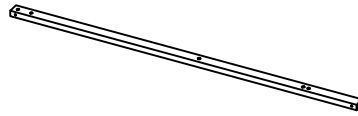
W8 2x



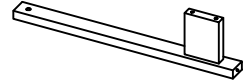
D12 4x



D13 2x



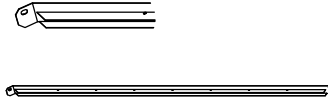
D14 2x



D9 4x



C7 2x



C8 2x



C9 2x



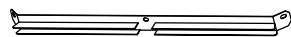
C10 2x



G1 2x



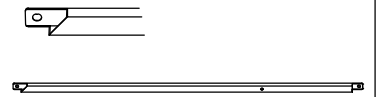
G9 2x



I1 2x



I9 2x



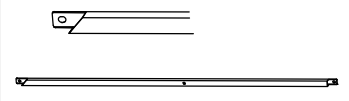
F6 2x



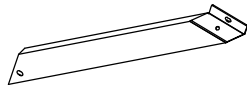
F7 2x



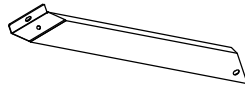
F9 2x



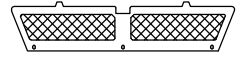
F10 2x



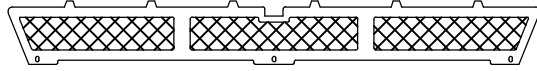
H 4x



H1 4x



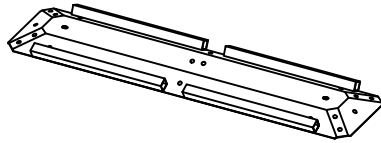
V1 2x



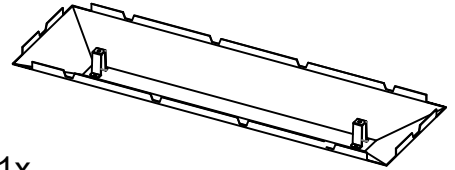
V6 2x



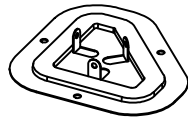
D8 4x



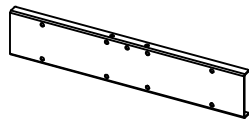
L6 1x



M2 1x



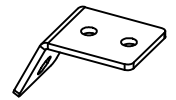
J 4x



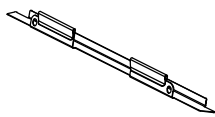
P1 4x



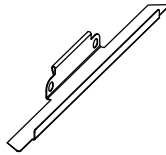
V 4x



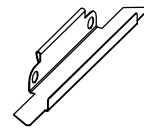
Q1 4x



Z 56x



Z1 8x



Z2 8x



Y 68x



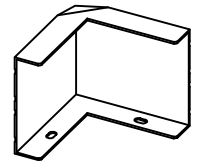
U1 104x



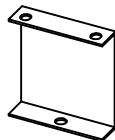
N 12x



N1 4x



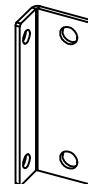
K1 4x



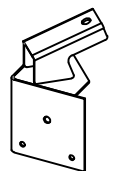
K2 4x



Q4 8x



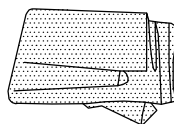
Q5 8x



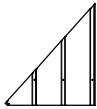
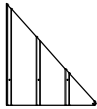
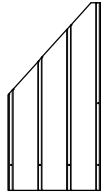
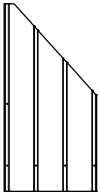
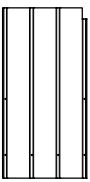
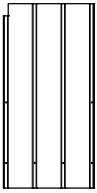
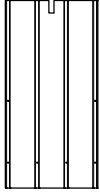
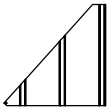
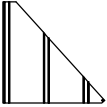
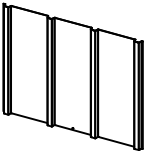






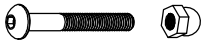



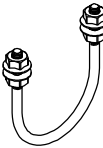


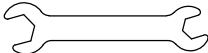


Q6 4x



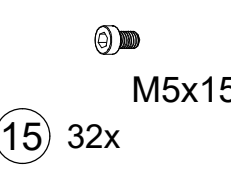
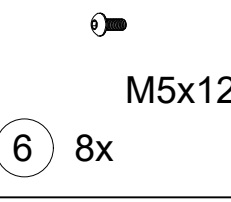
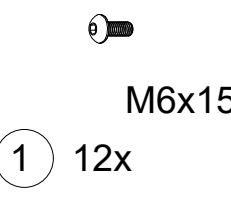
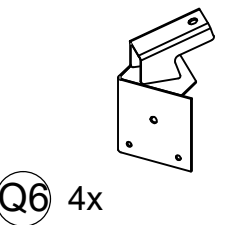
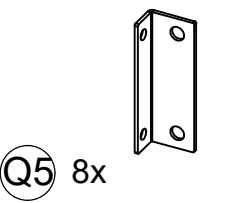
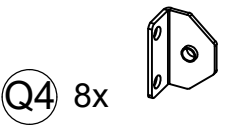
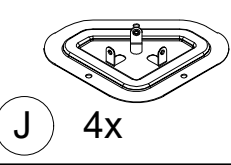
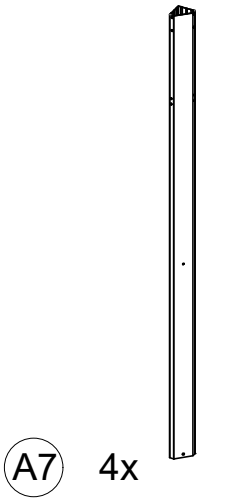
T 4x



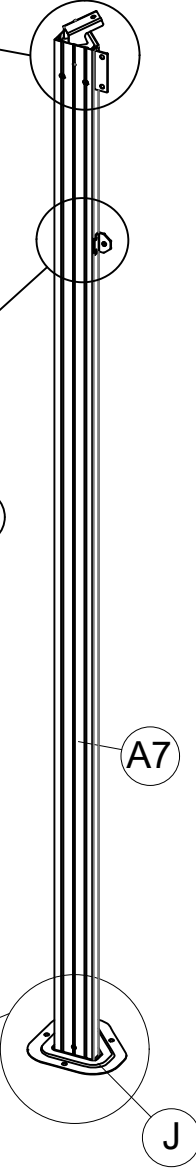
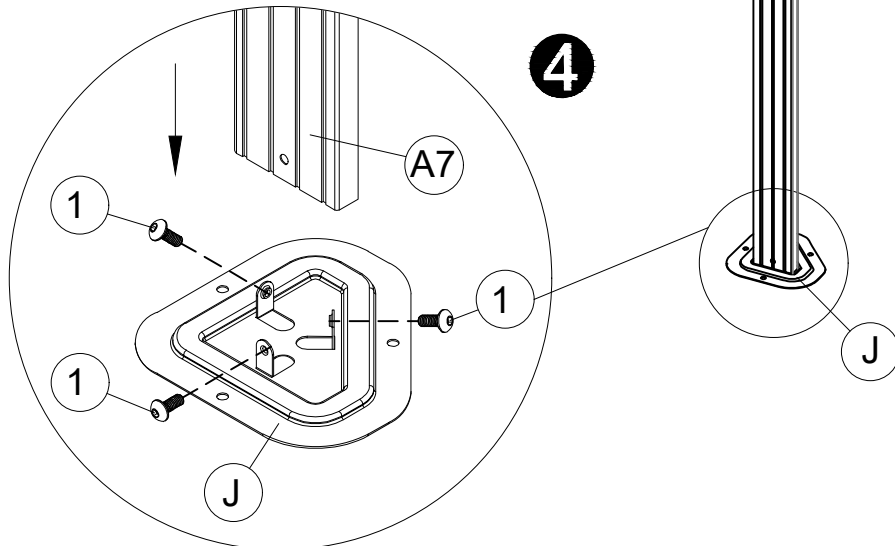
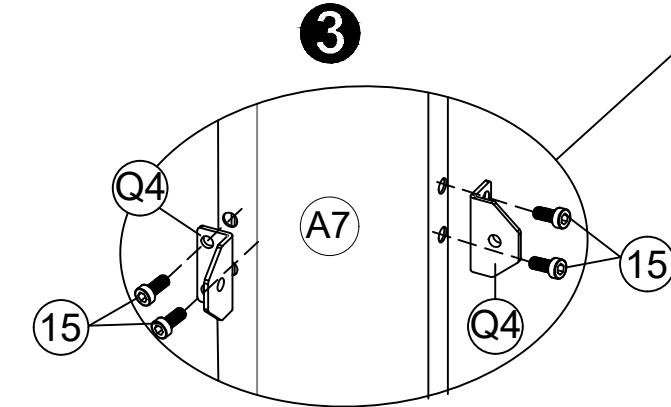
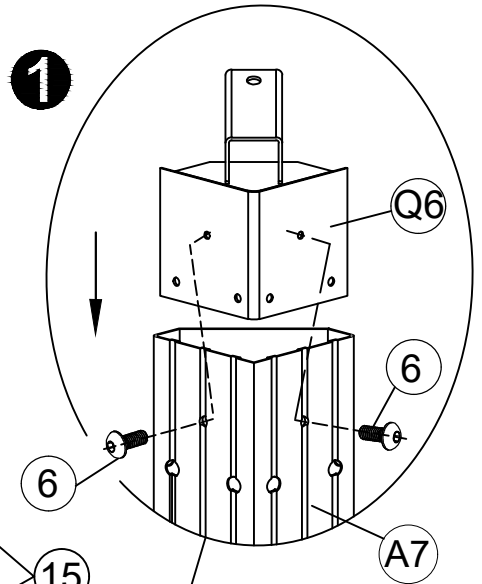
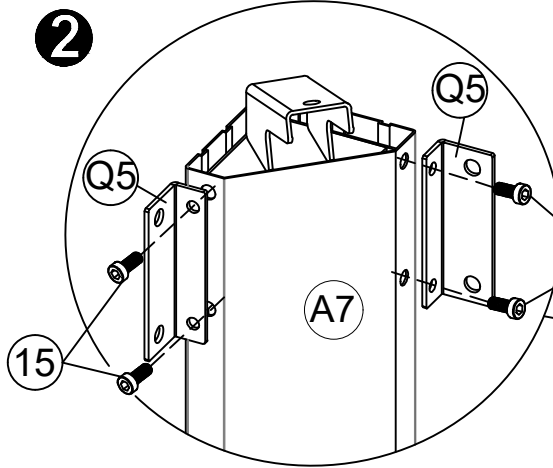
T1 4x

 O1 4x	 O2 4x	 O3 4x	 O4 4x
 O5 2x	 O6 2x	 O7 2x	 S1 4x
 S2 4x	 S3 2x		
 M6x15 1 144x	 M6x23 2 60x	 M6x25 3 4x	 ST 4.8x12 4 8x
 5 2x	 M5x12 6 8x	 M6x45 7 8x	 8 16x
 M6x10 9 8x	 10 12x	 11 1x	 4mm 12 2x
 M6x10 13 12x	 14	 M5x15 15 32x	 M6x35 16 8x

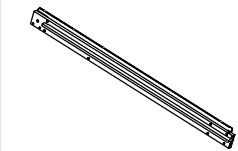
<1>



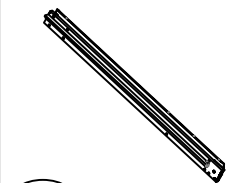
5



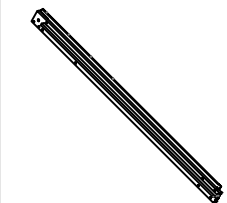
<2>



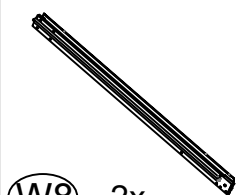
W5 2x



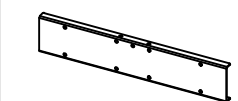
W6 2x



W7 2x



W8 2x

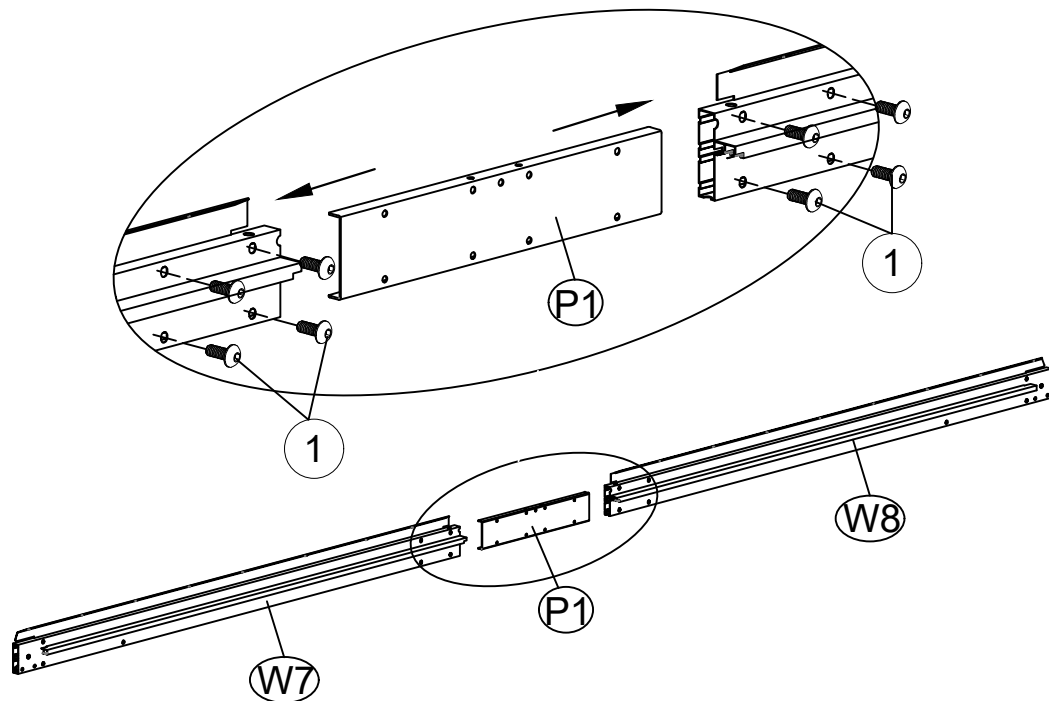
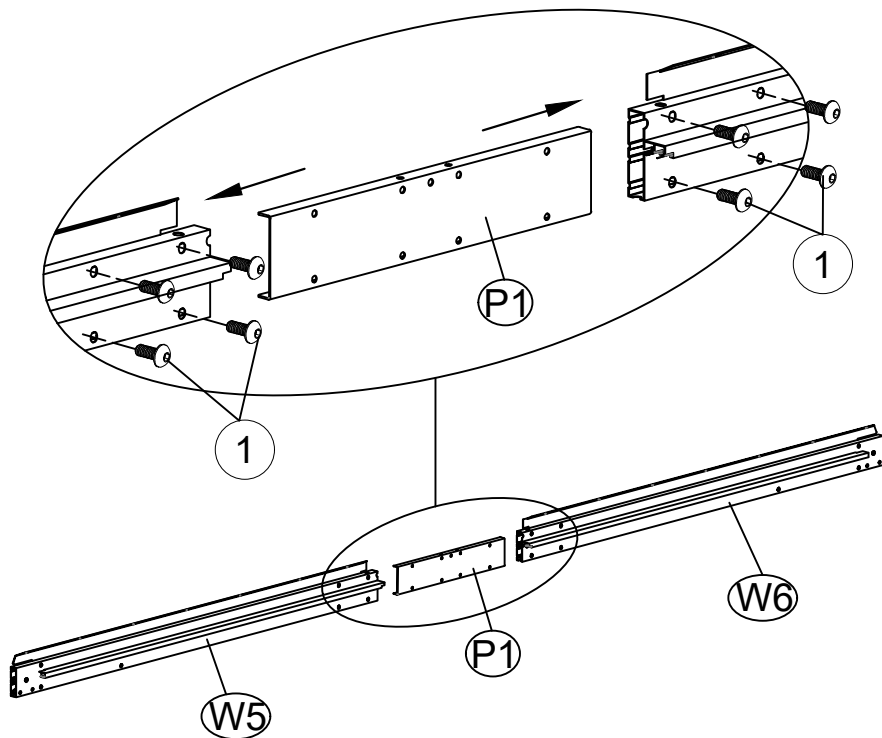


P1 4x



M6x15

1 32x



<3>

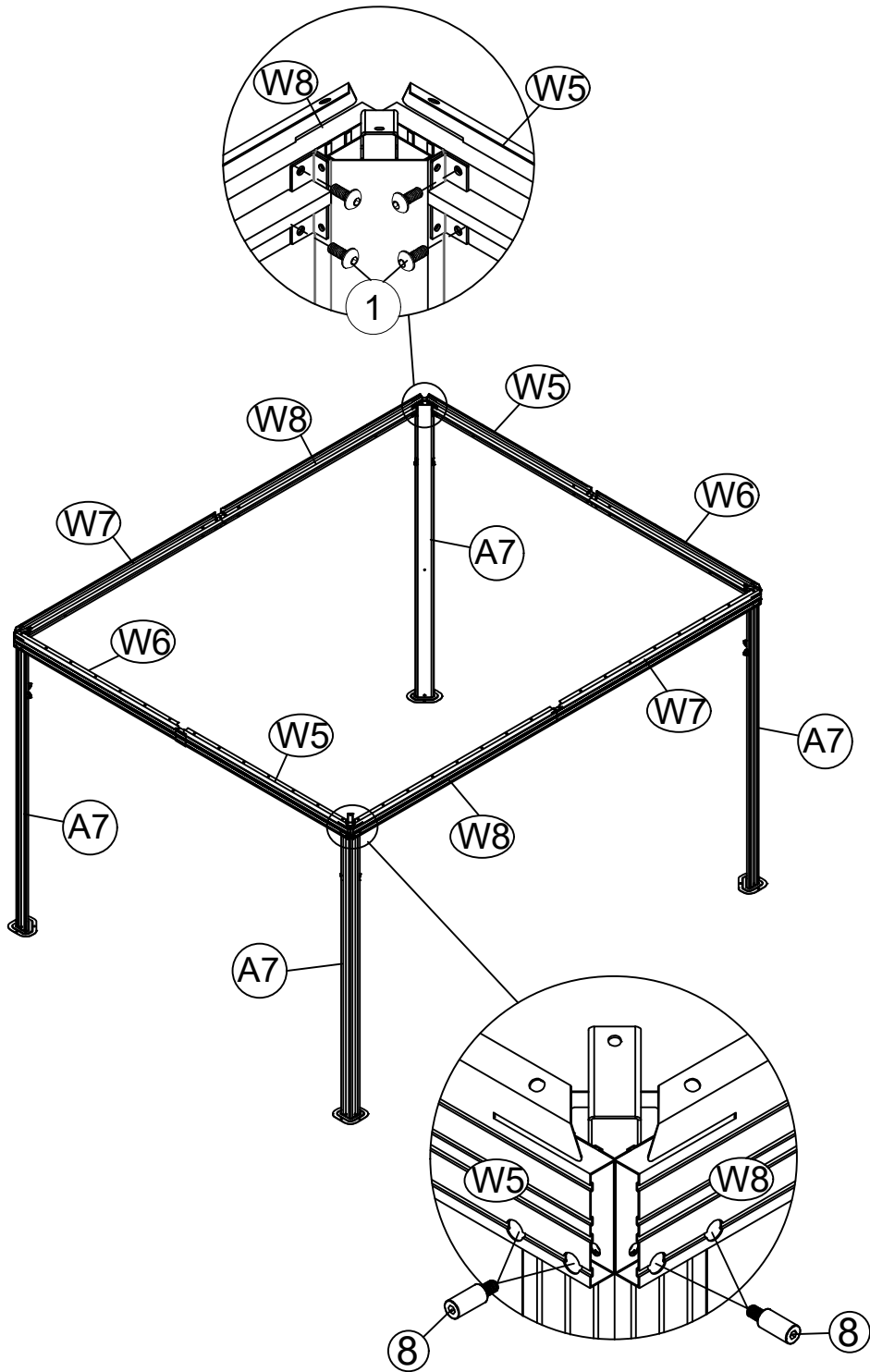


8 16x



M6x15

1 16x





(H1) 4x



(H) 4x



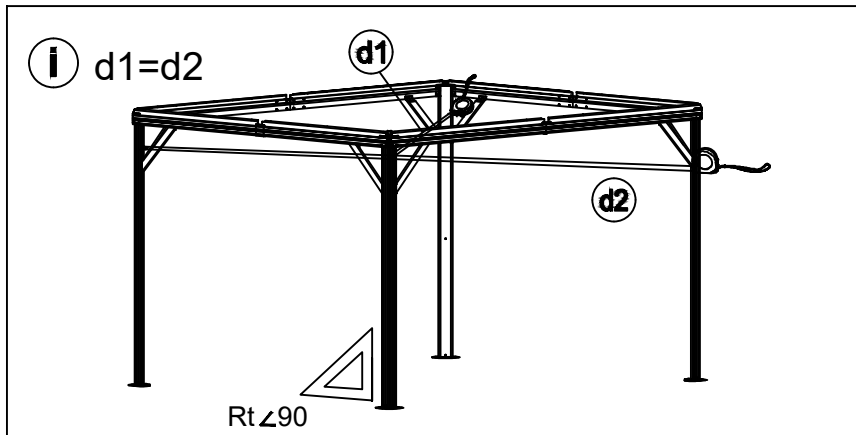
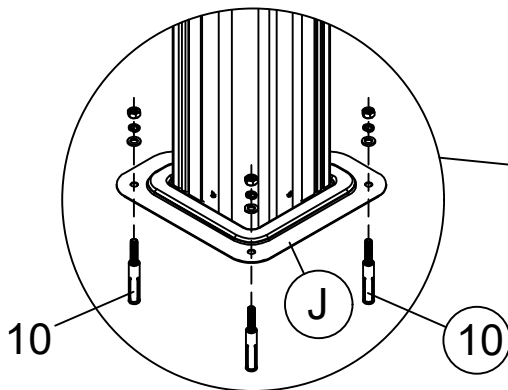
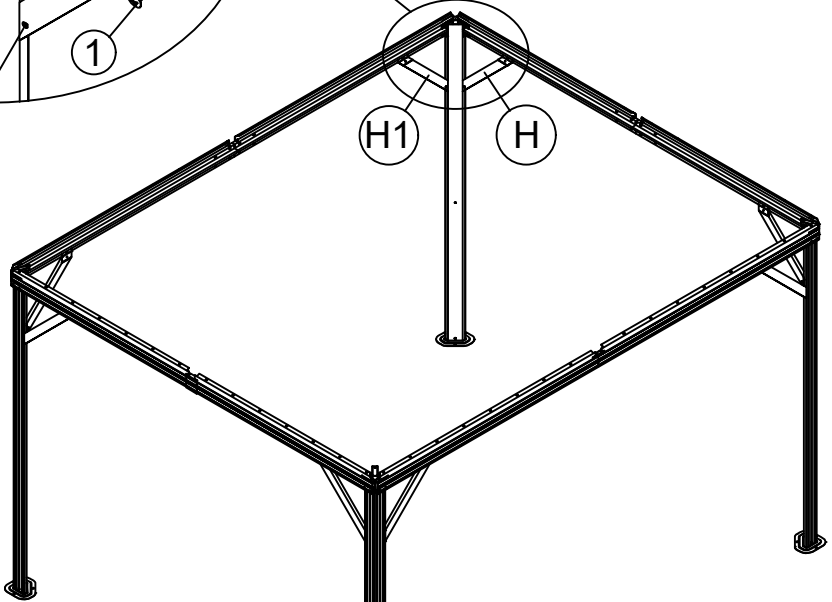
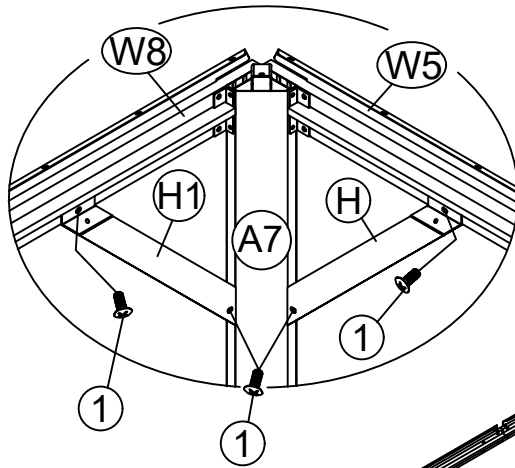
M6x15

(1) 16x

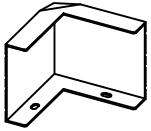


(10) 12x

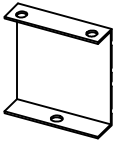
<4>



Tips: Please measure to make sure the length of d1 is equal to d2 before moving to next step to ensure a square frame and best results. Keep the beam at right angles to the post, the post at right angles to the ground, and keep the beam horizontal.



(K1) 4x



(K2) 4x



(U1) 104x



(V) 4x



M6x10

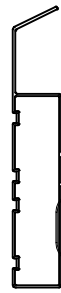
(13) 12x



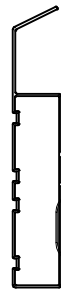
ST4.8x12

(4) 8x

<5>



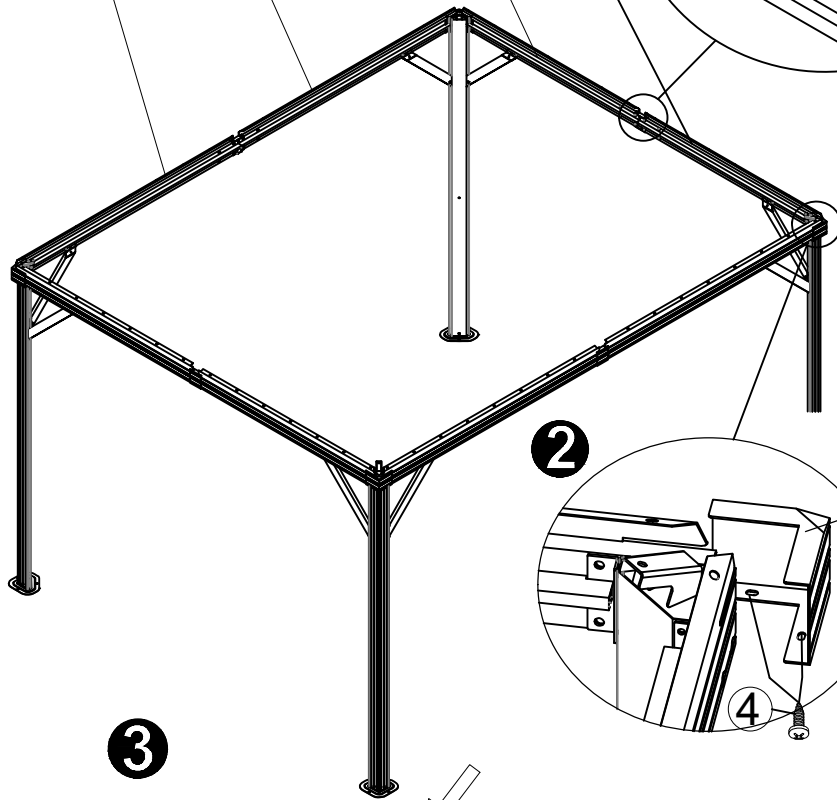
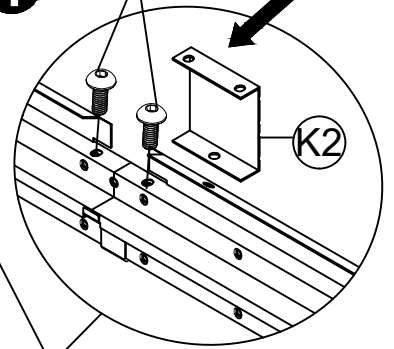
7x 7x



6x 6x

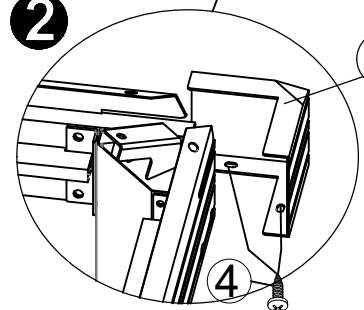
1

13



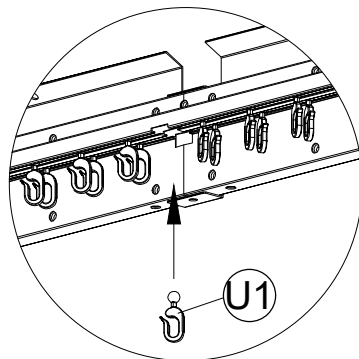
2

(K1)



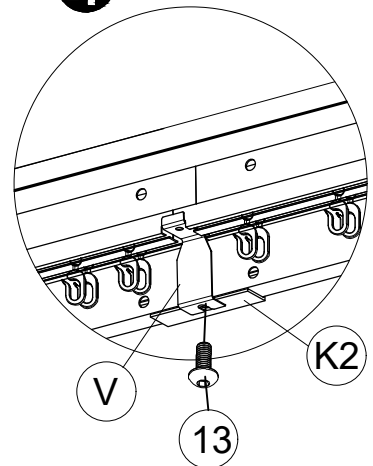
4

3



(U1)

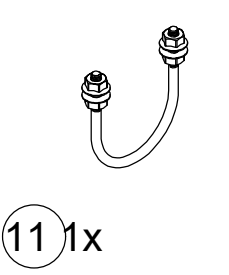
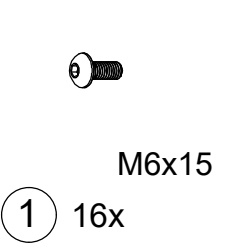
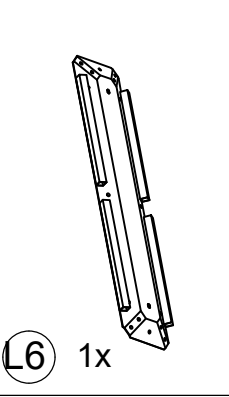
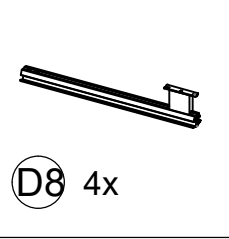
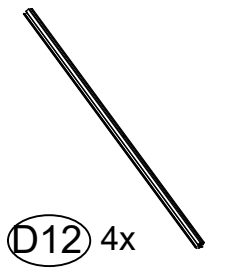
4



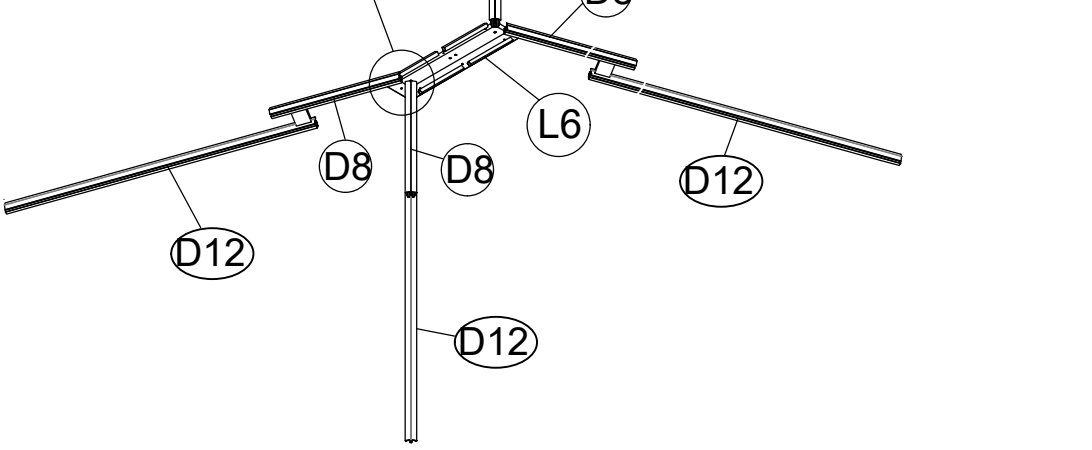
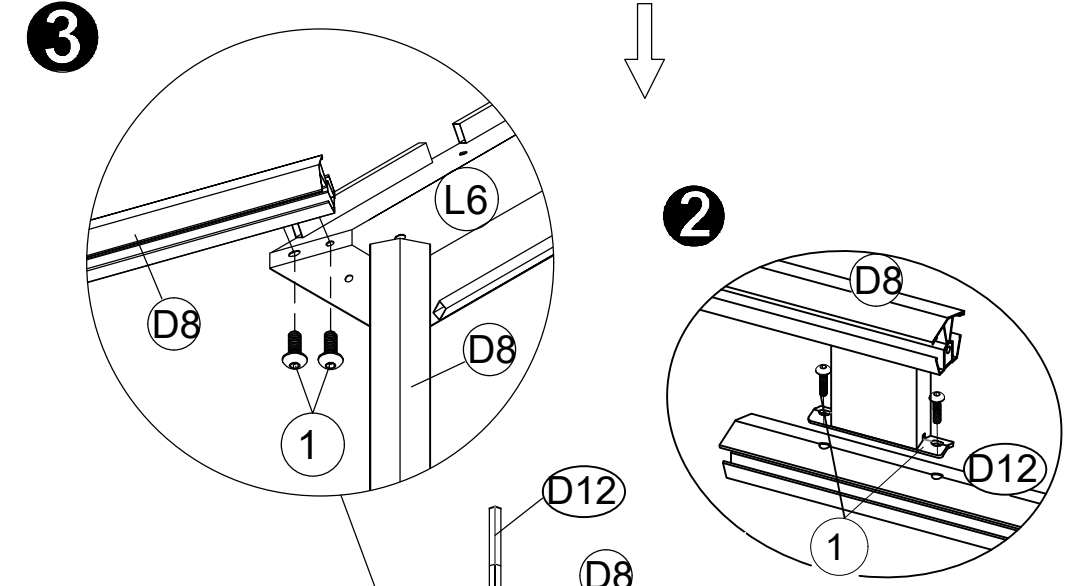
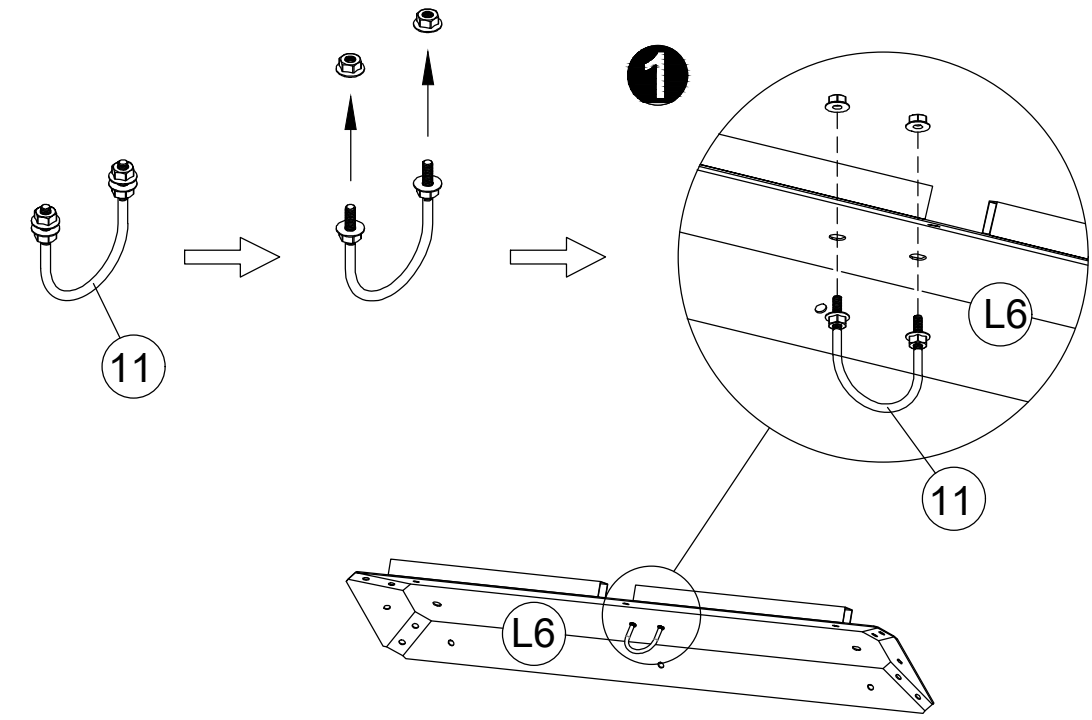
(V)

13

(K2)



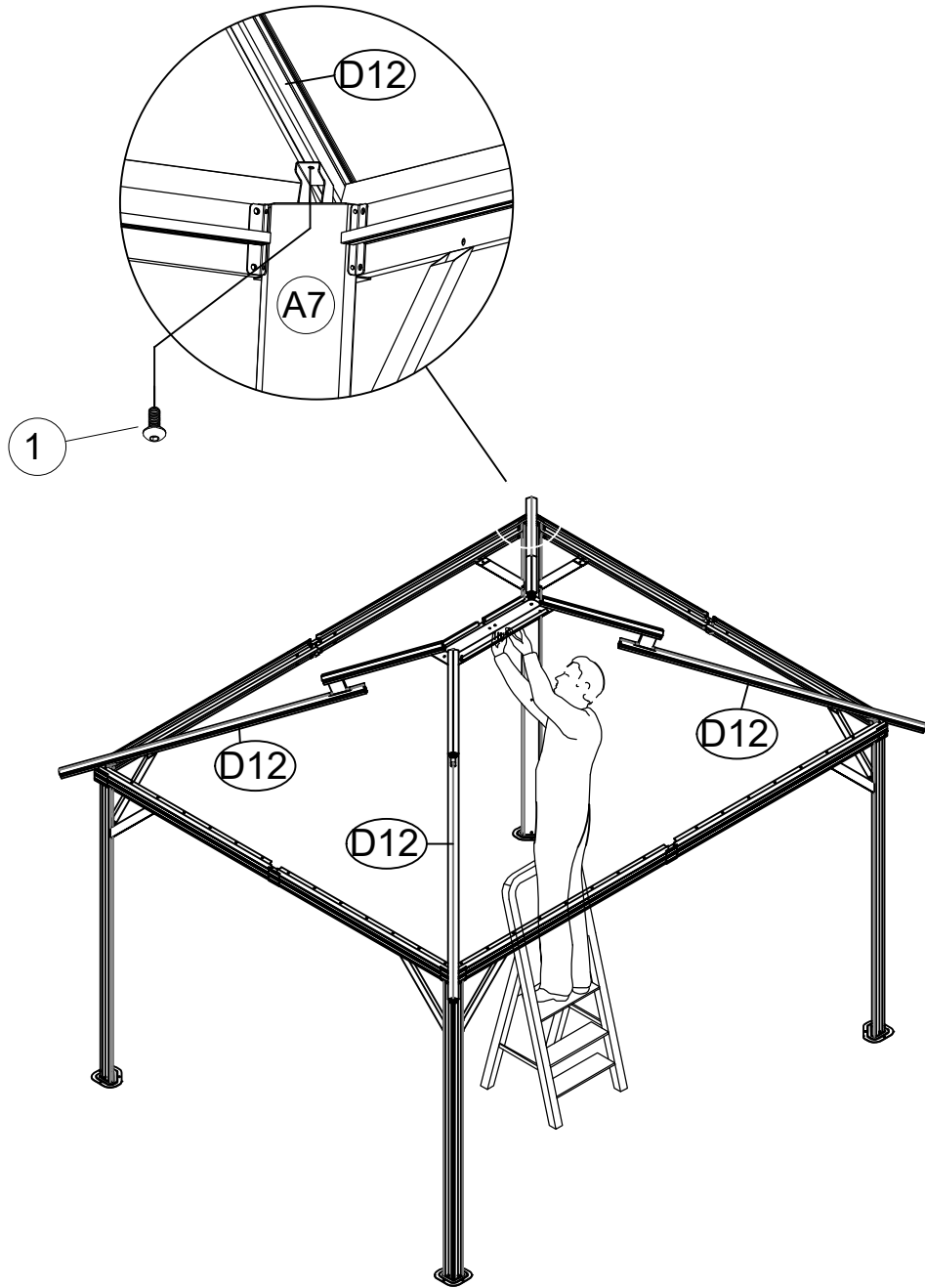
<6>





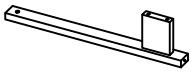
<7>

1 M6x15
4x

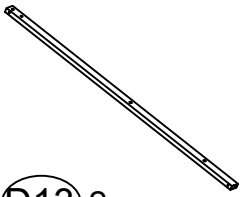


Note:

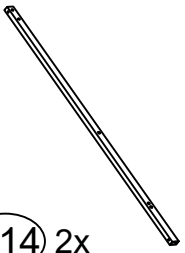
1. Let one person stand on the ladder to lift "L6" and hold and let others fasten the screws connecting both ends of "D12".
2. Please do not let go of holding "L6" until all the "D12" screws are installed.



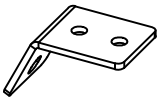
D9 4x



D13 2x



D14 2x

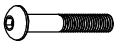


Q1 4x



M6x15

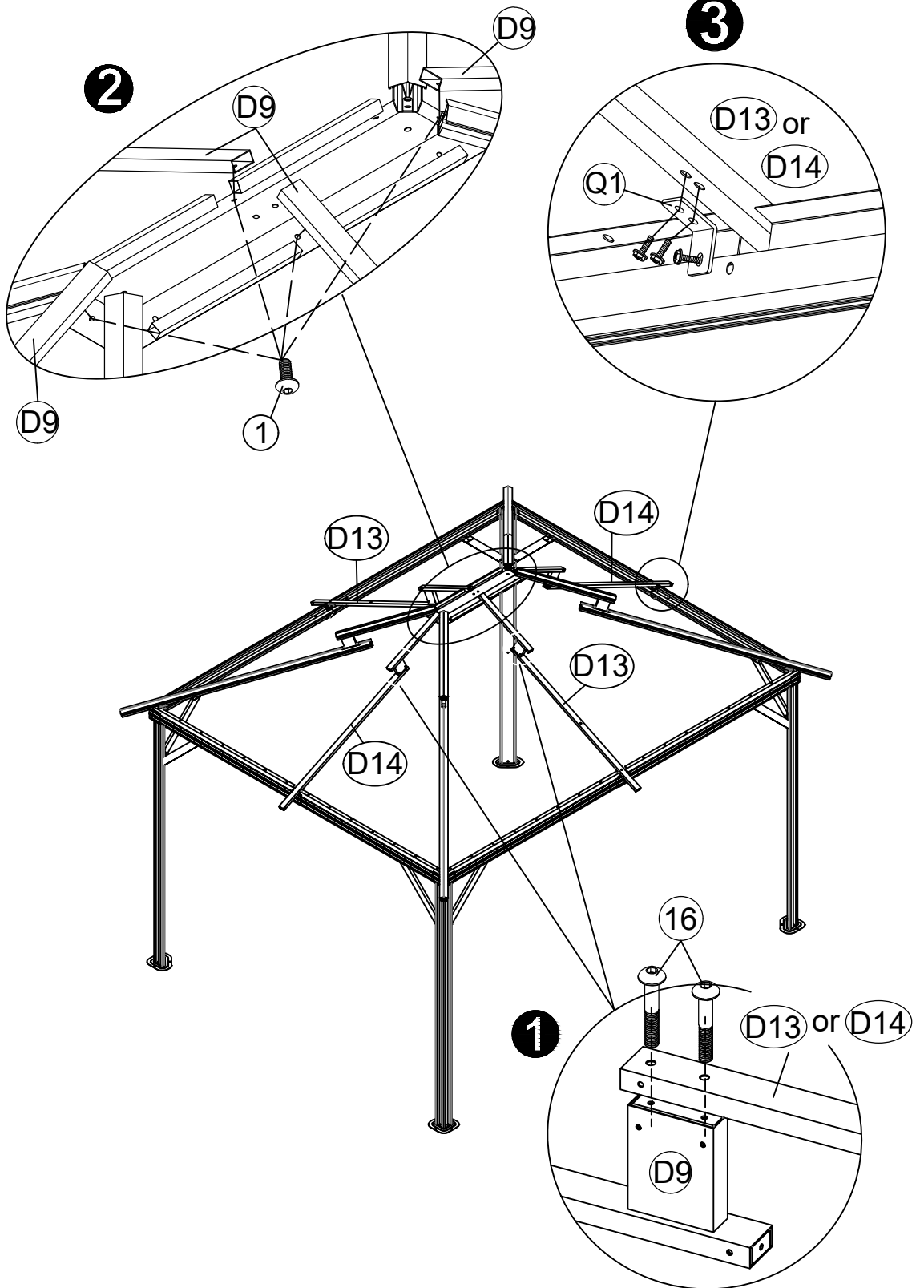
1 16x



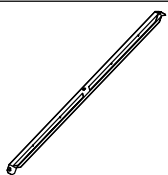
M6x35

16 8x

<8>



<9>



G1 2x



G9 2x

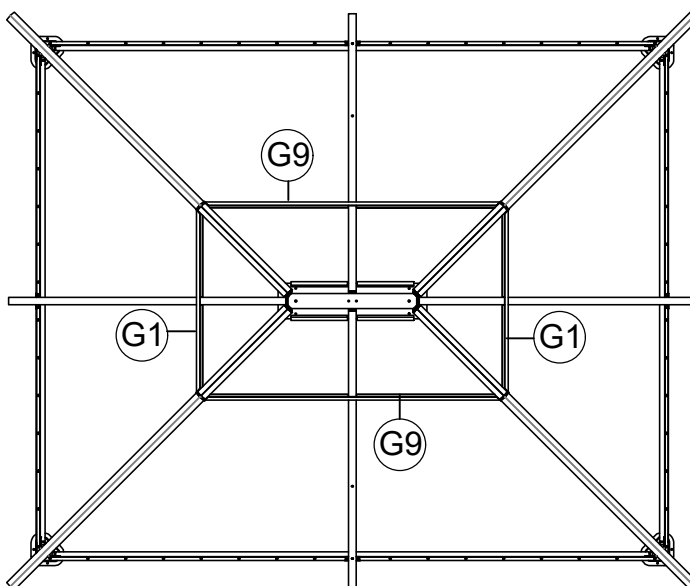
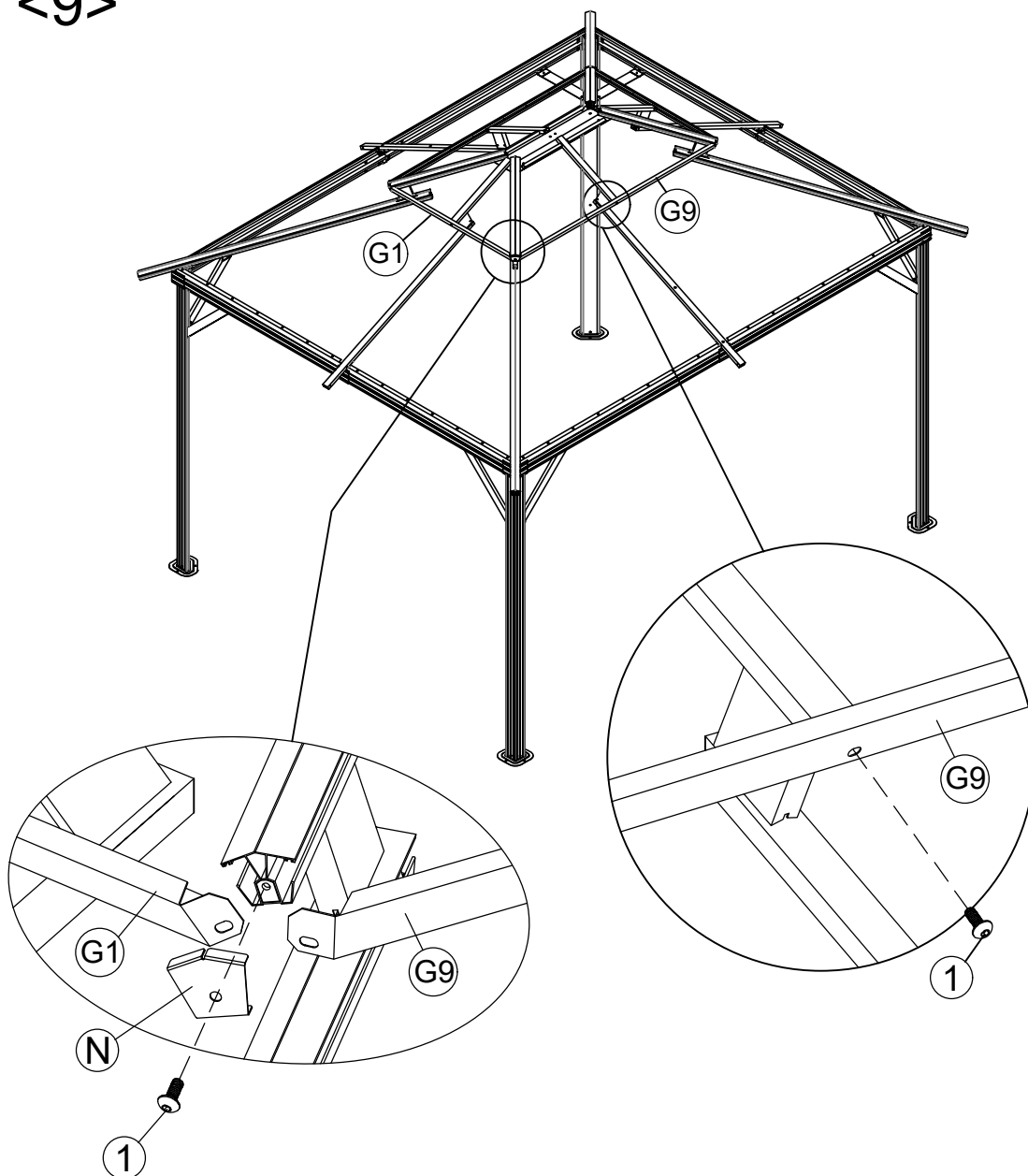


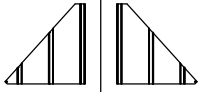
N 4x



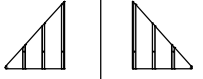
M6x15

1 8x

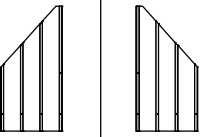




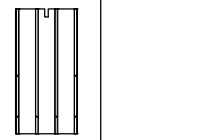
S1 2x S2 2x



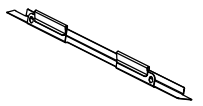
O1 2x O2 2x



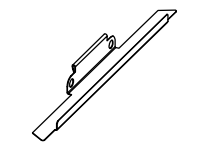
O3 2x O4 2x



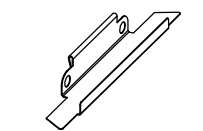
O7 2x



Z 28x

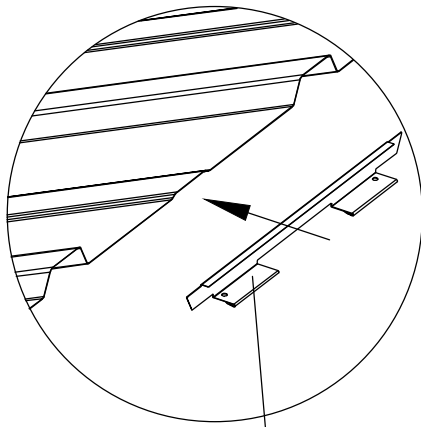


Z1 4x

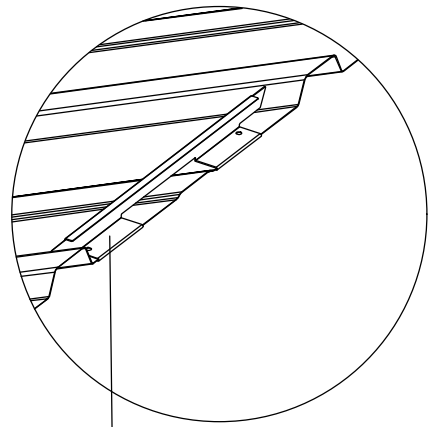


Z2 4x

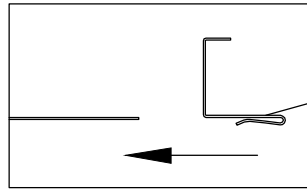
<10>



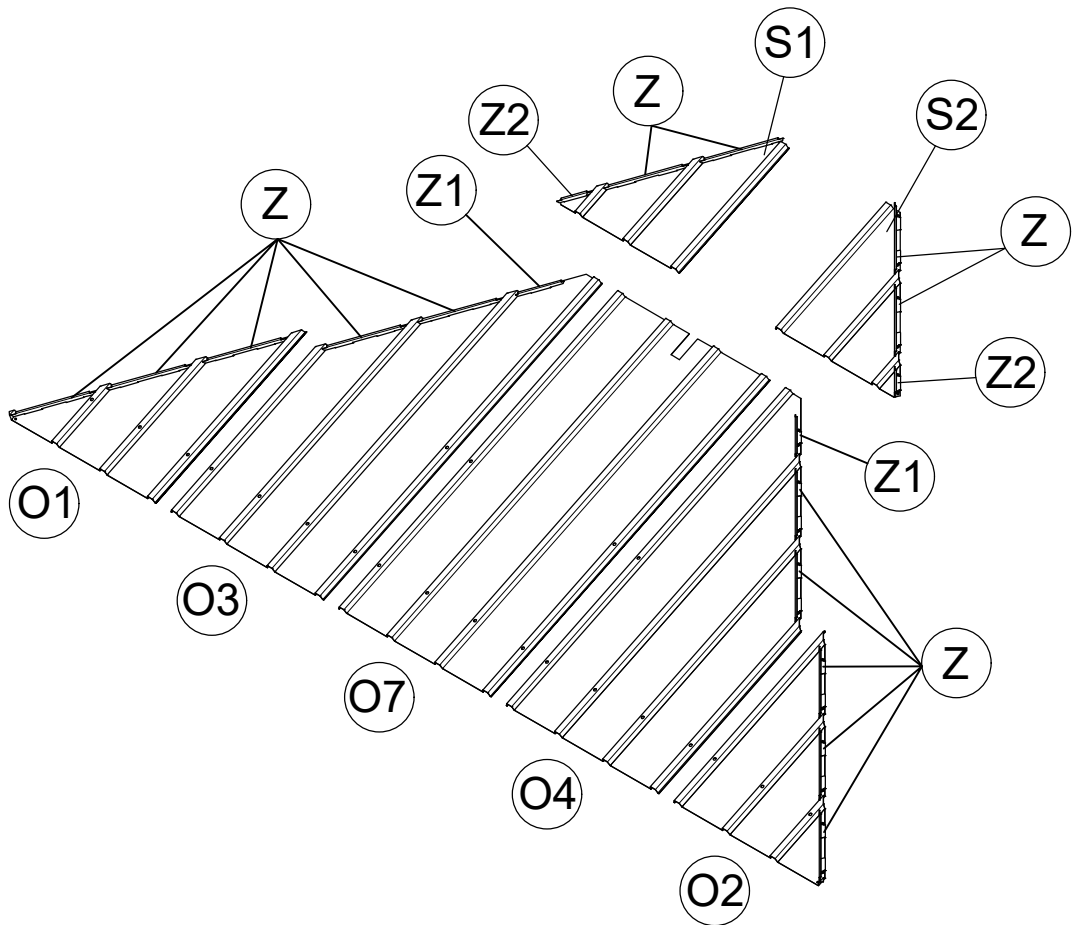
Z or Z1 or Z2

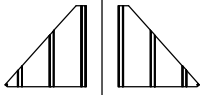


Z or Z1 or Z2

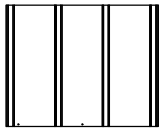


Z or Z1 or Z2

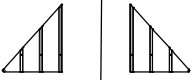




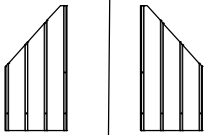
S1 2x S2 2x



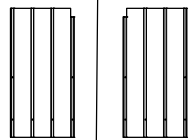
S3 2x



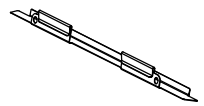
O1 2x O2 2x



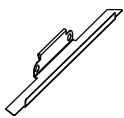
O3 2x O4 2x



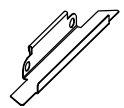
O5 2x O6 2x



Z 28x

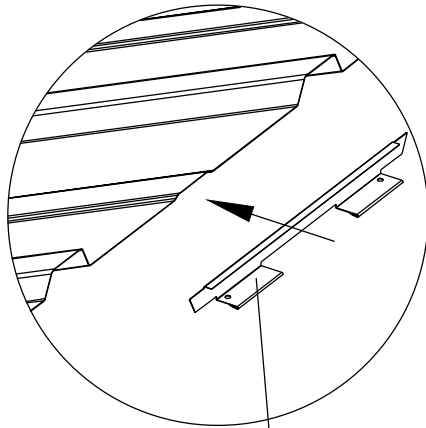


Z1 4x

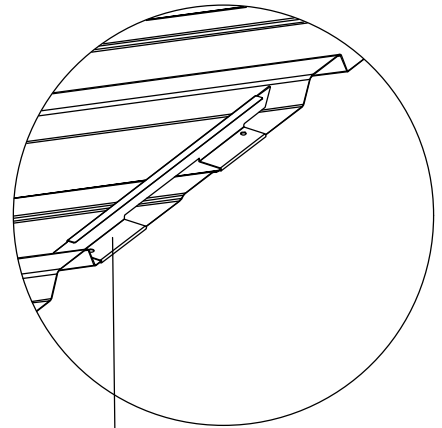
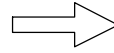


Z2 4x

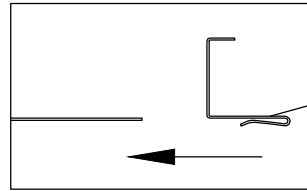
<11>



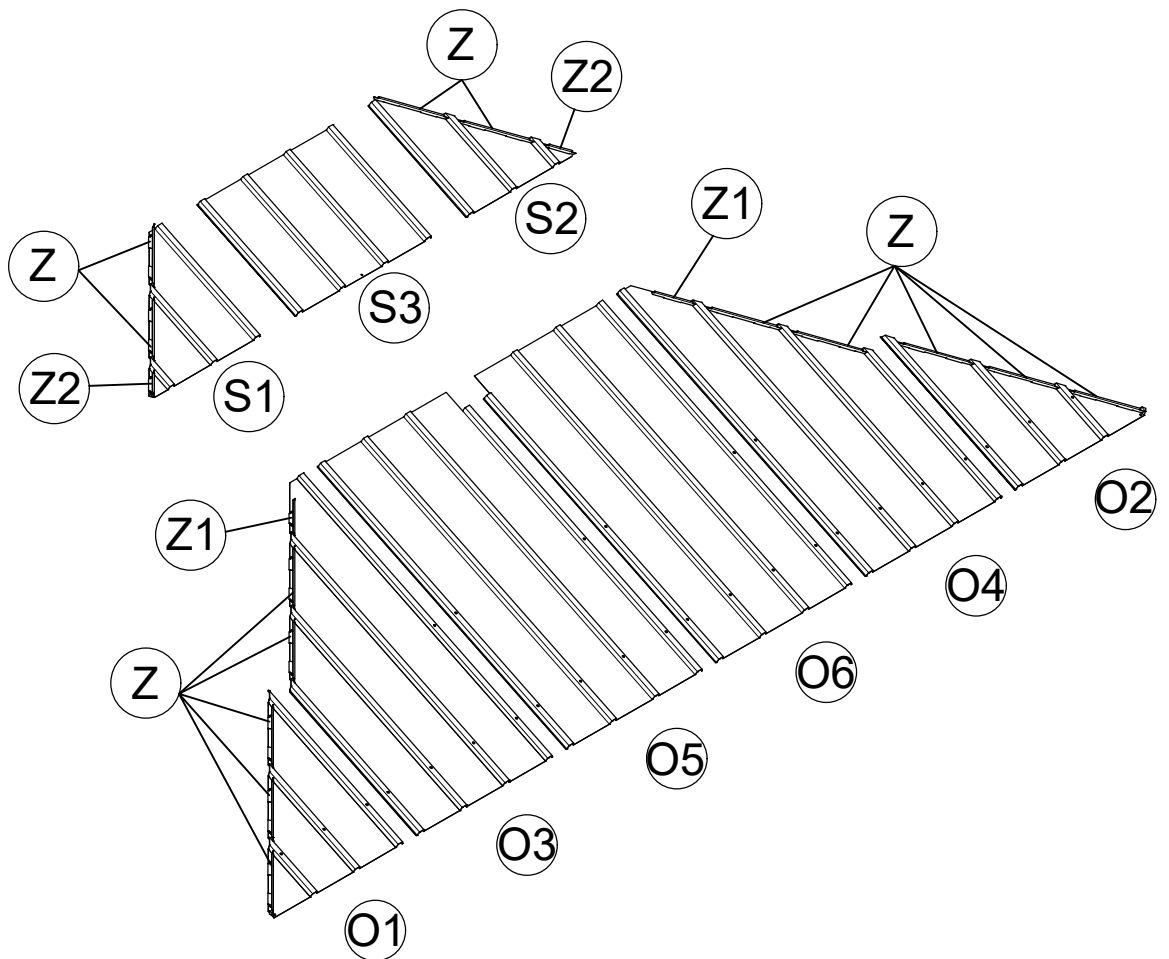
Z or Z1 or Z2



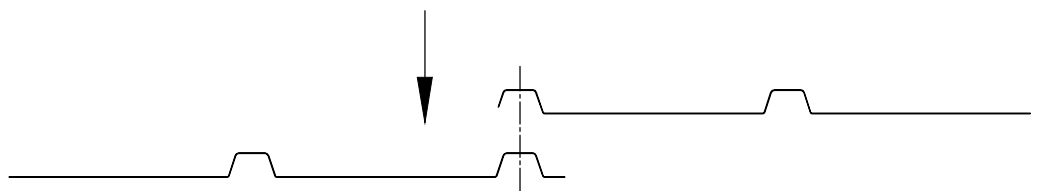
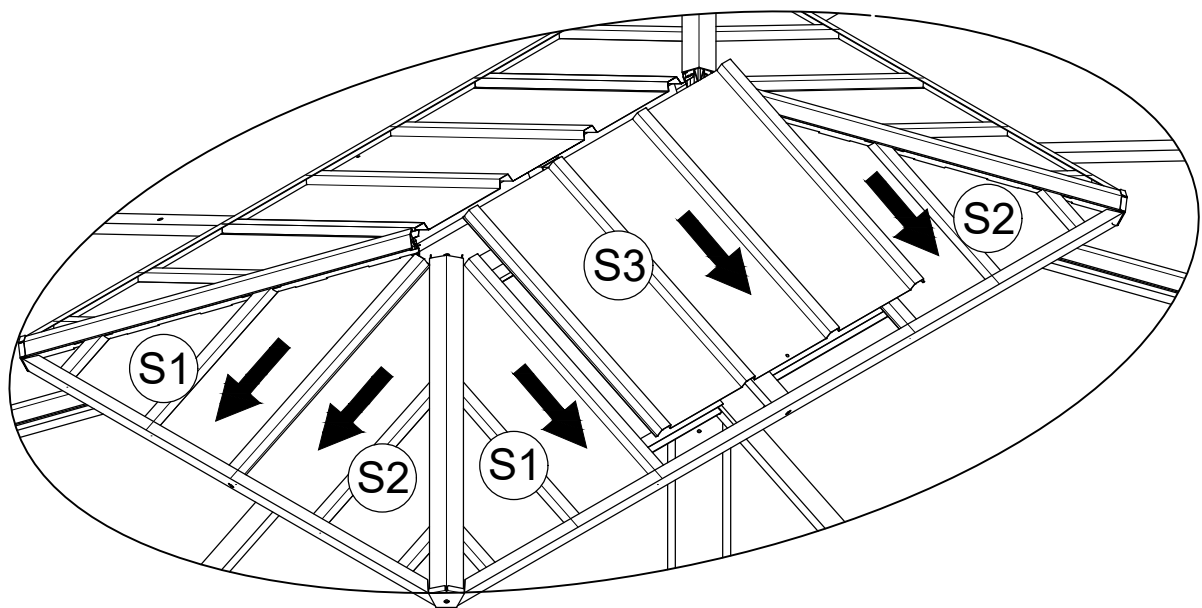
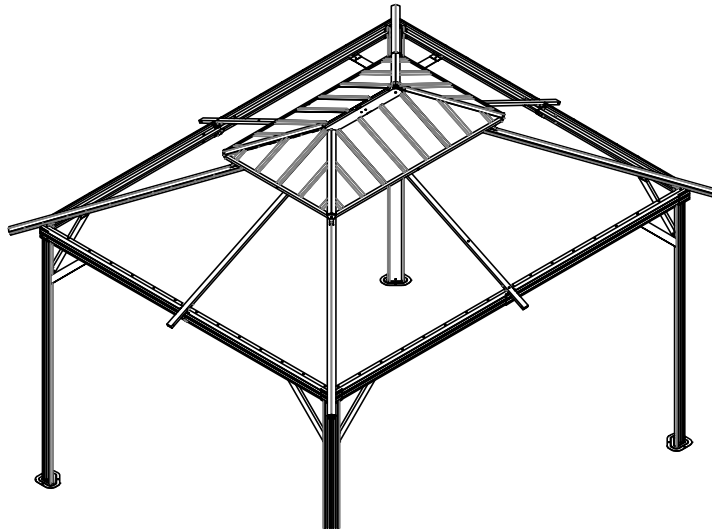
Z or Z1 or Z2



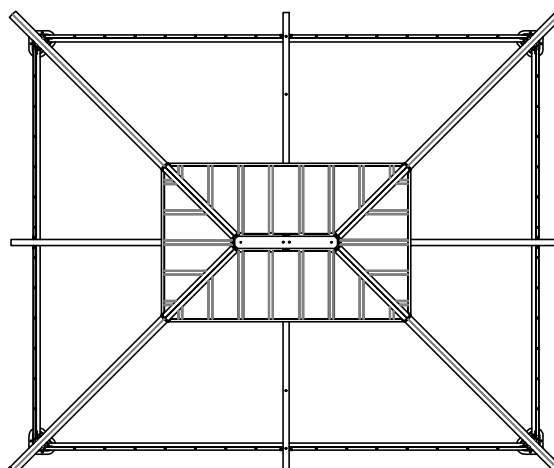
Z or Z1 or Z2



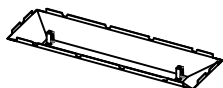
<12>



When installing the Roof plates (S2) onto short side, pls detach the right end of Roof Rib(G1) first. And then install the right end of Roof Rib (G1) again after S2 is installed.



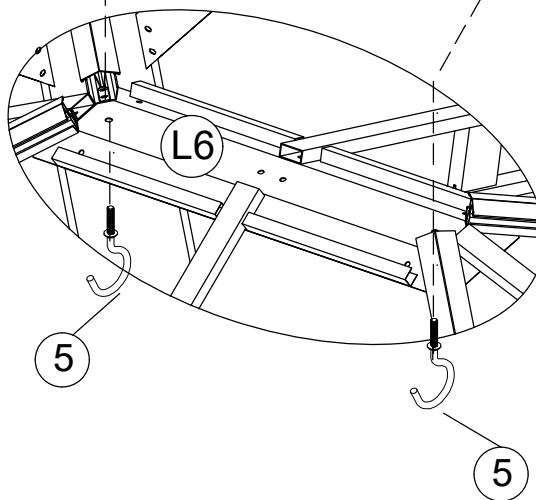
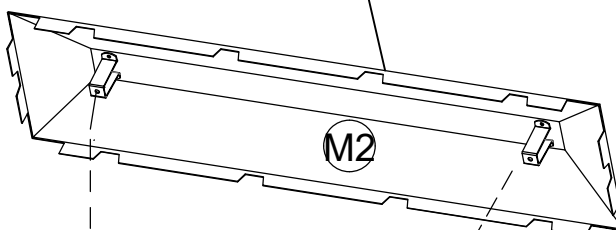
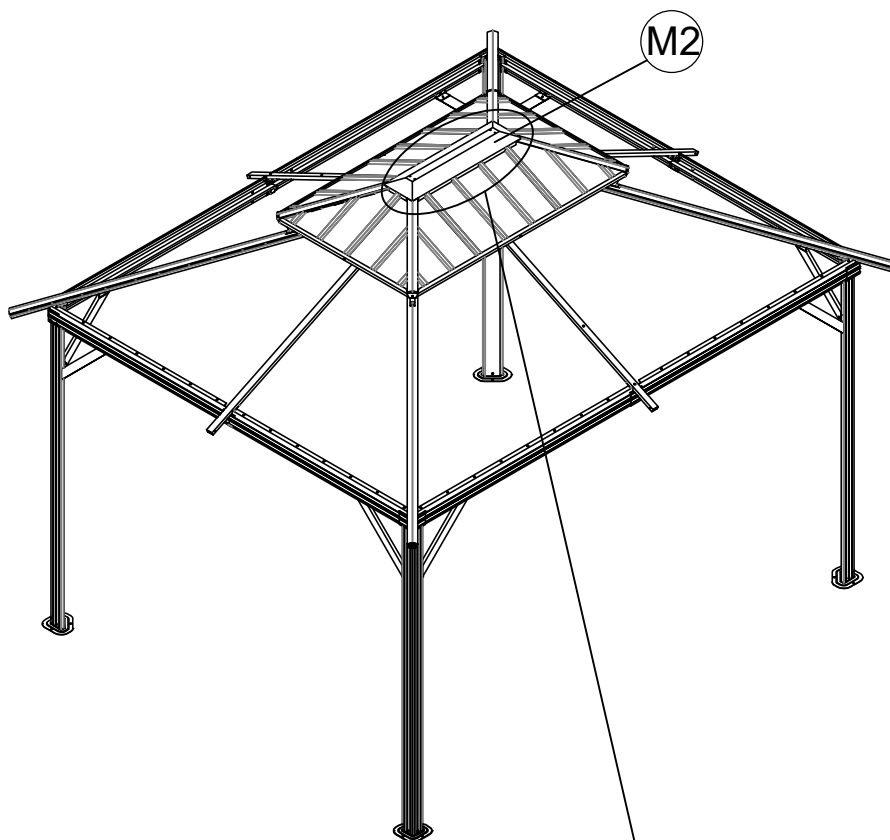
<13>



M2 1x



5 2x



<14>

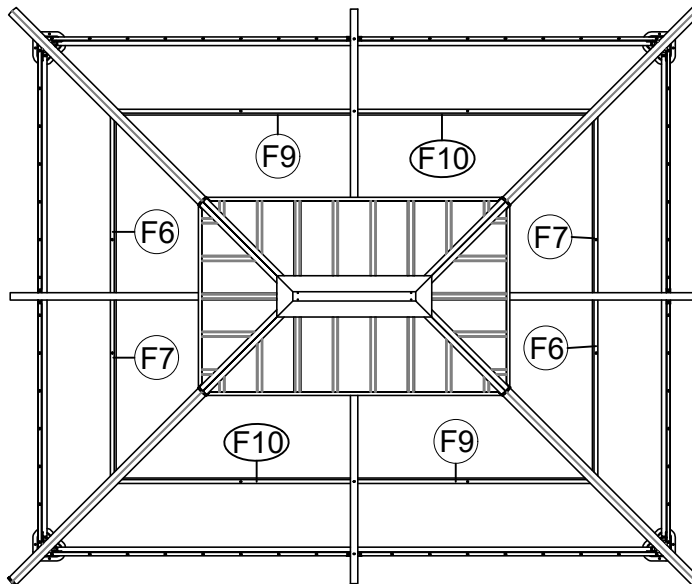
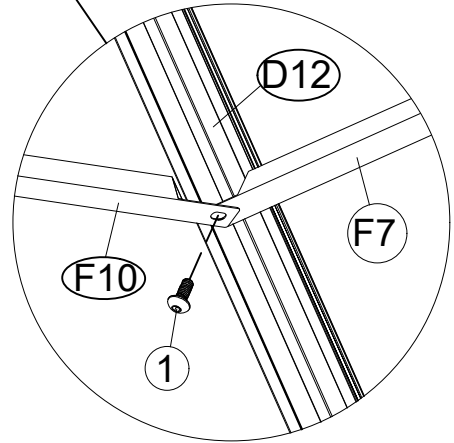
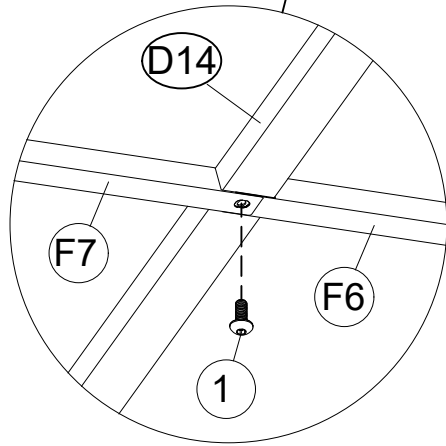
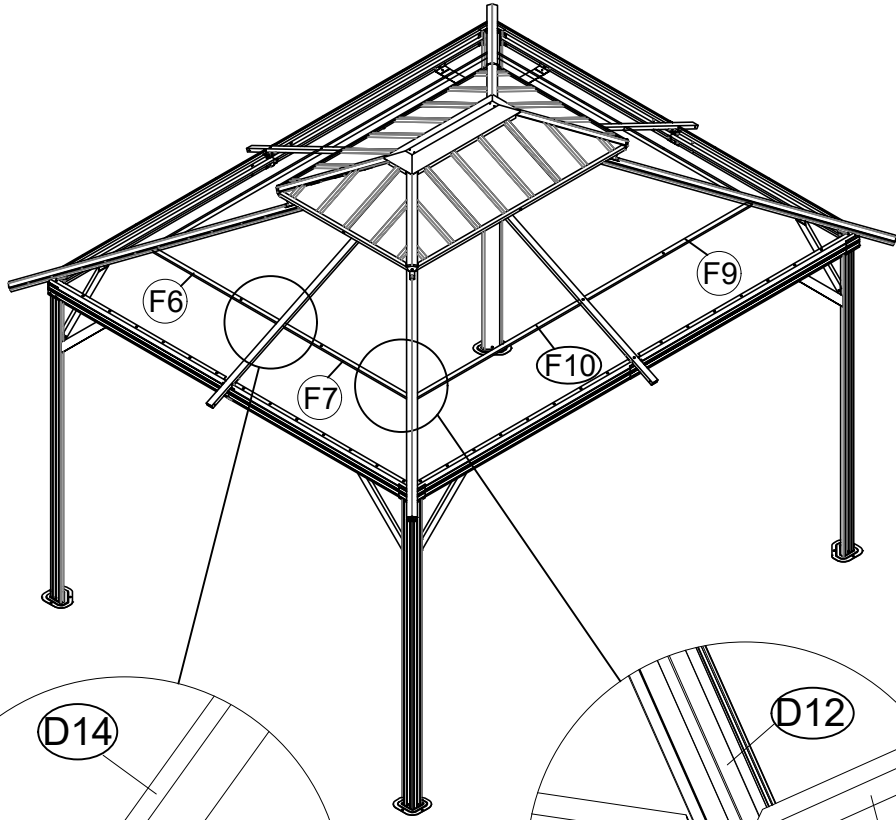
F7 2x

F6 2x

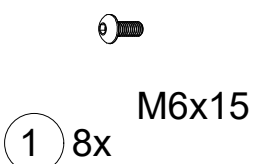
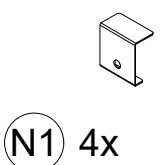
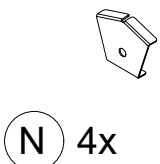
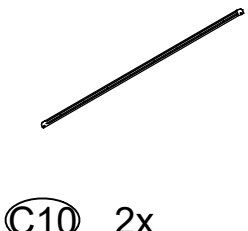
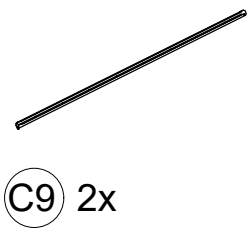
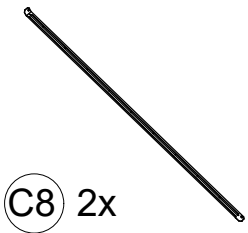
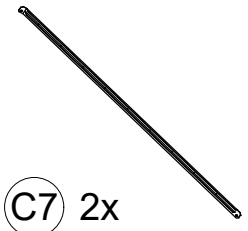
F9 2x

F10 2x

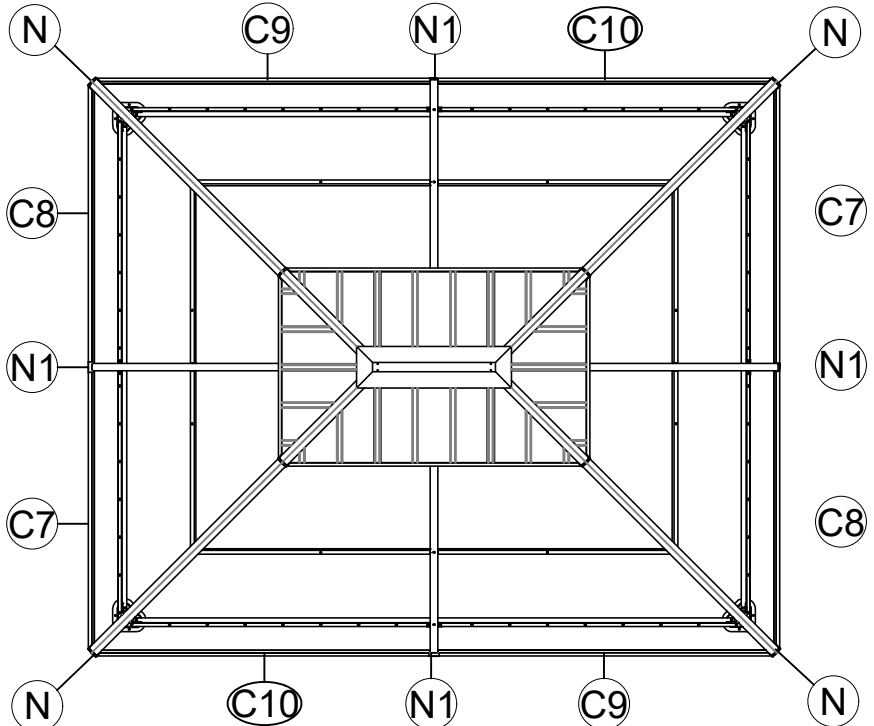
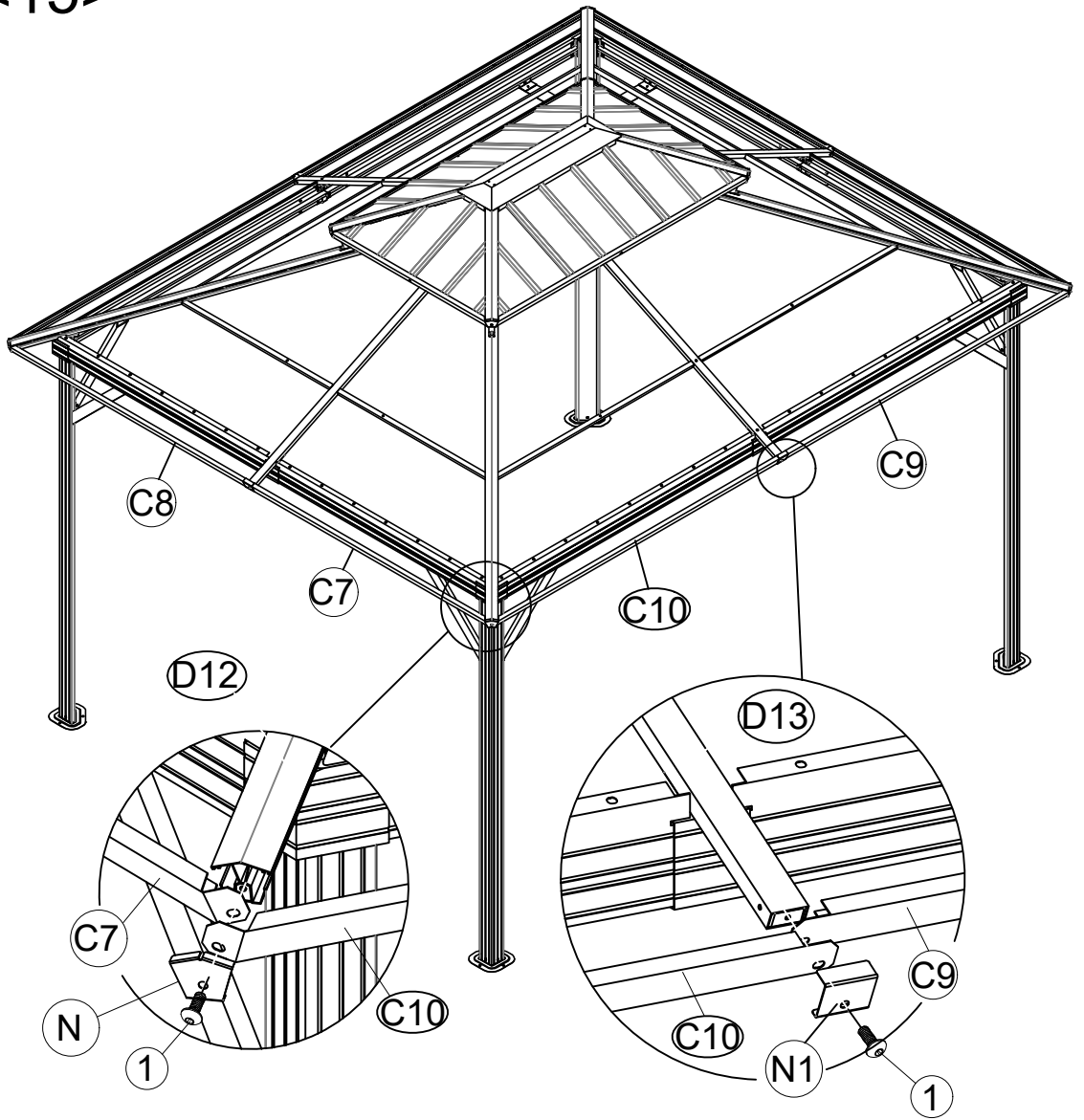
1 8x M6x15



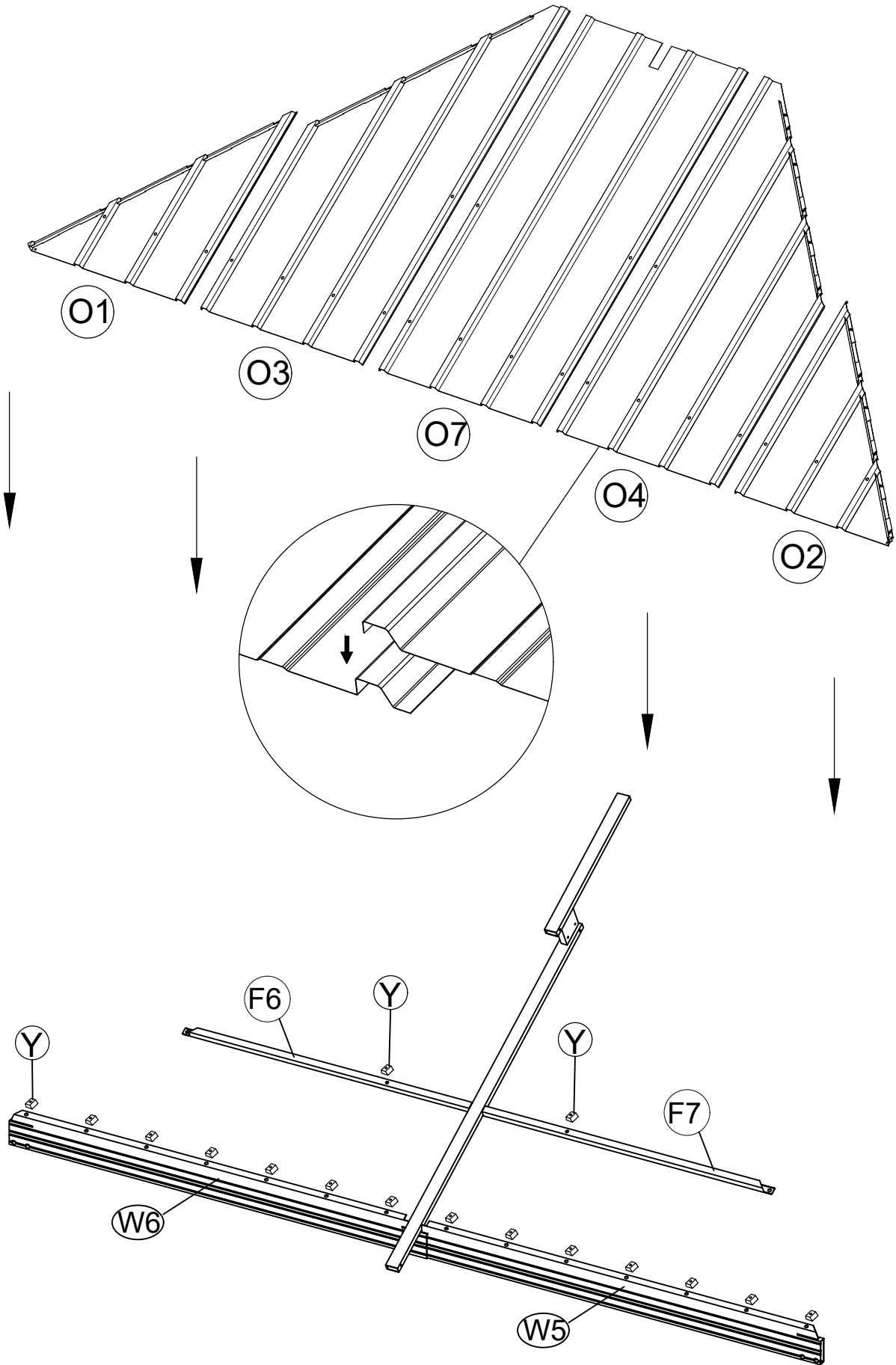
<15>



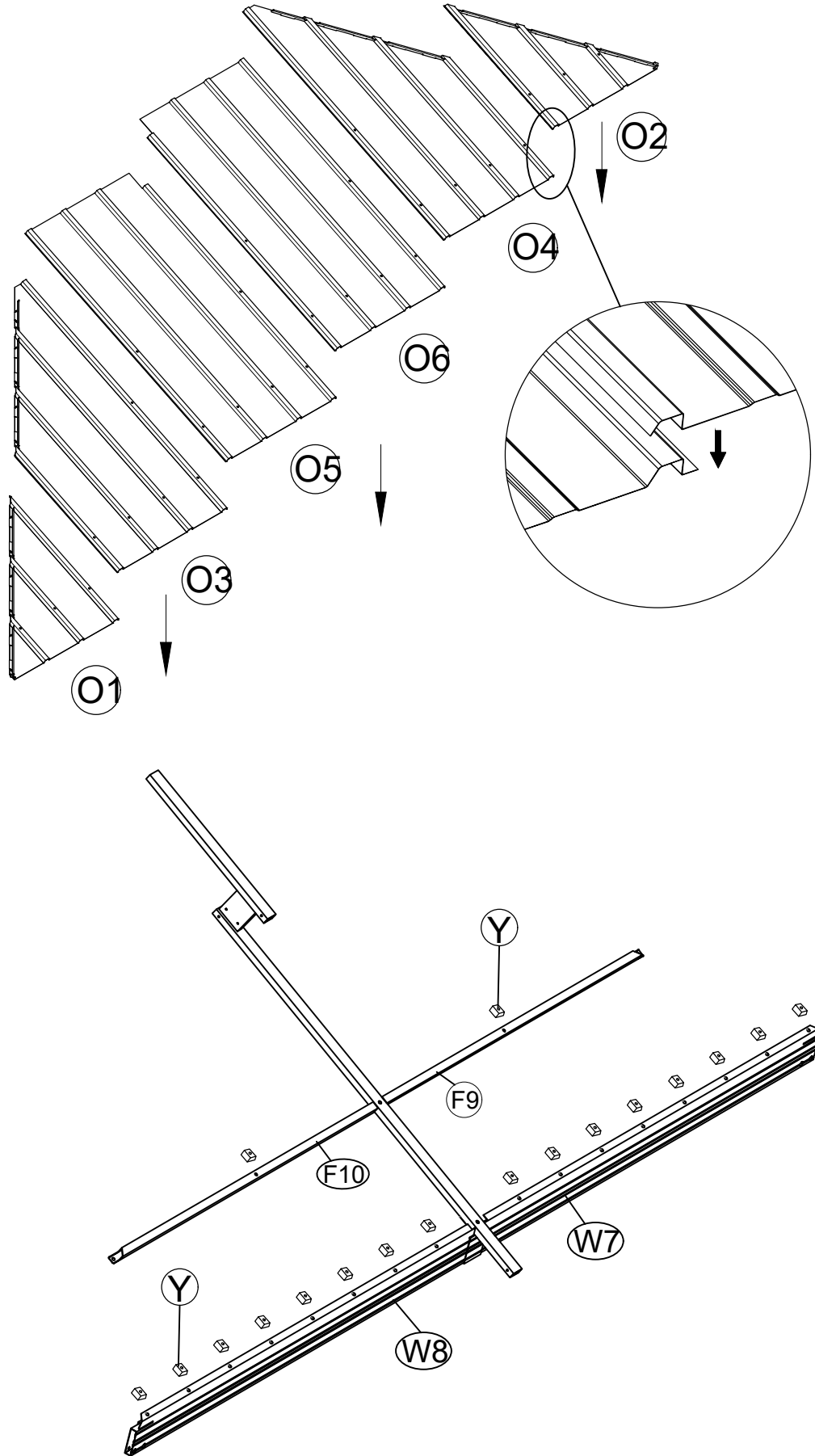
19



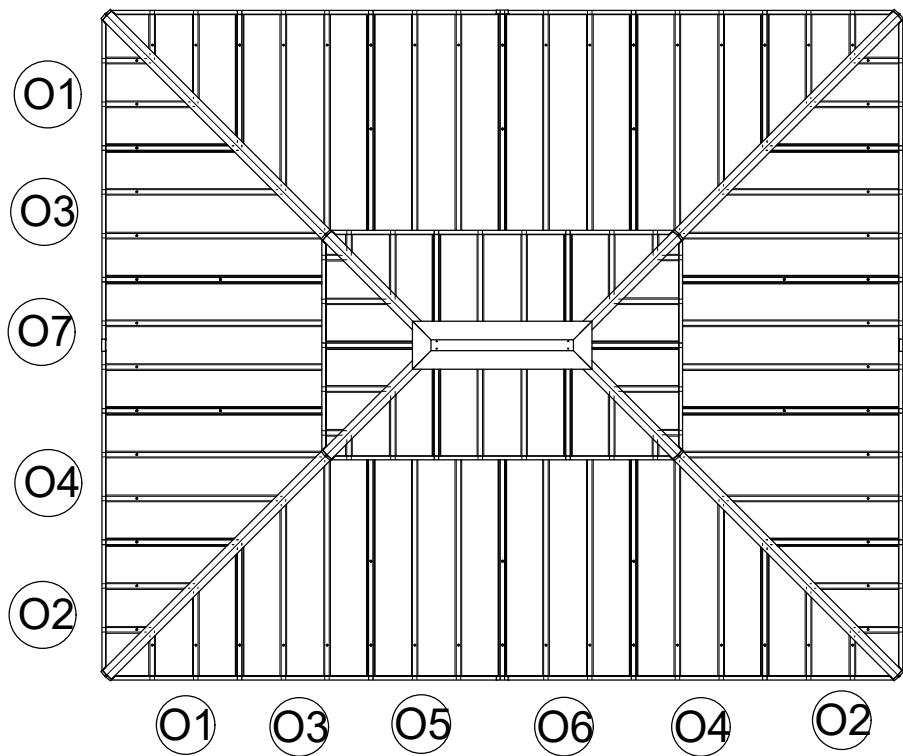
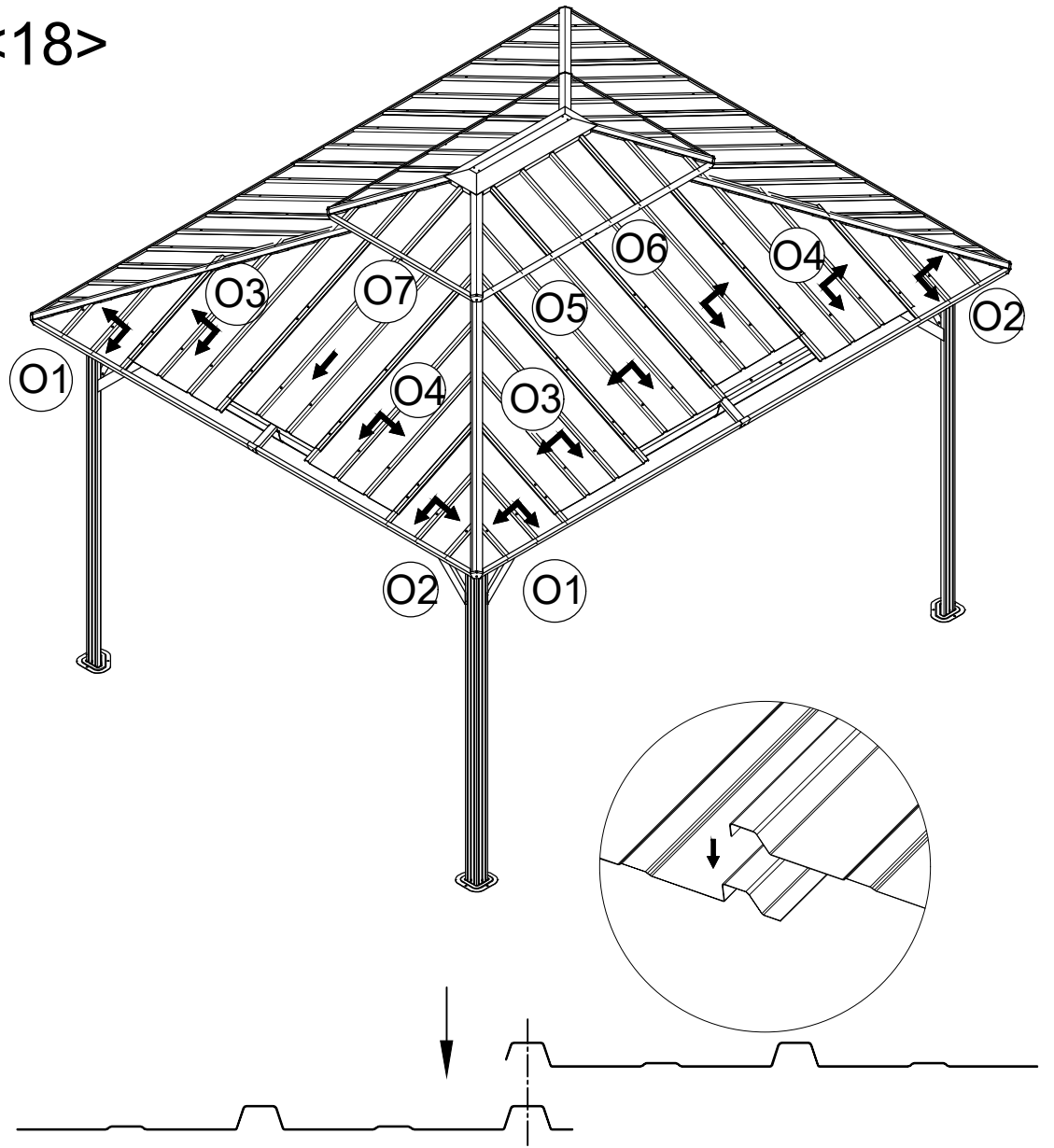
<16>



<17>



<18>





<19>

Y 68x



M6x25

3 4x



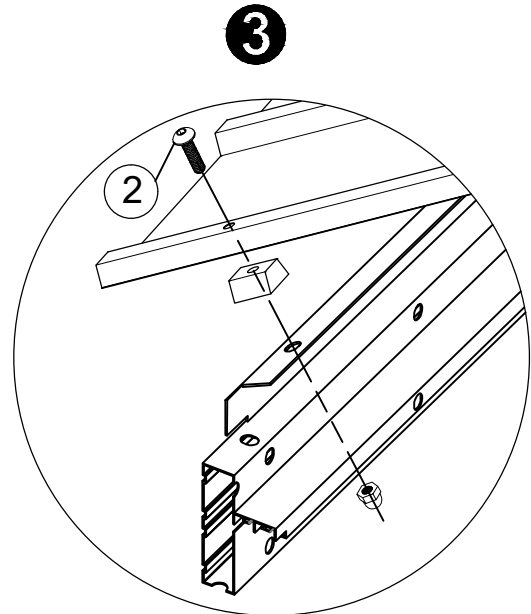
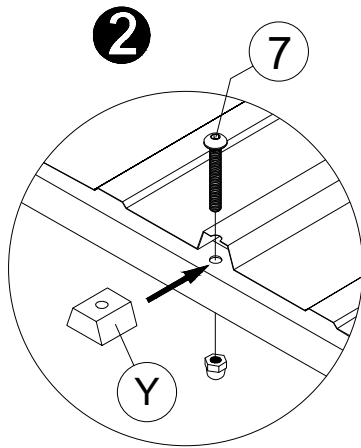
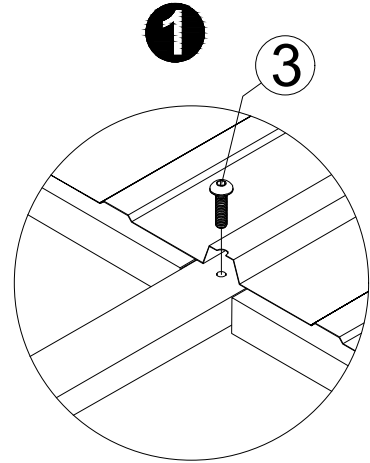
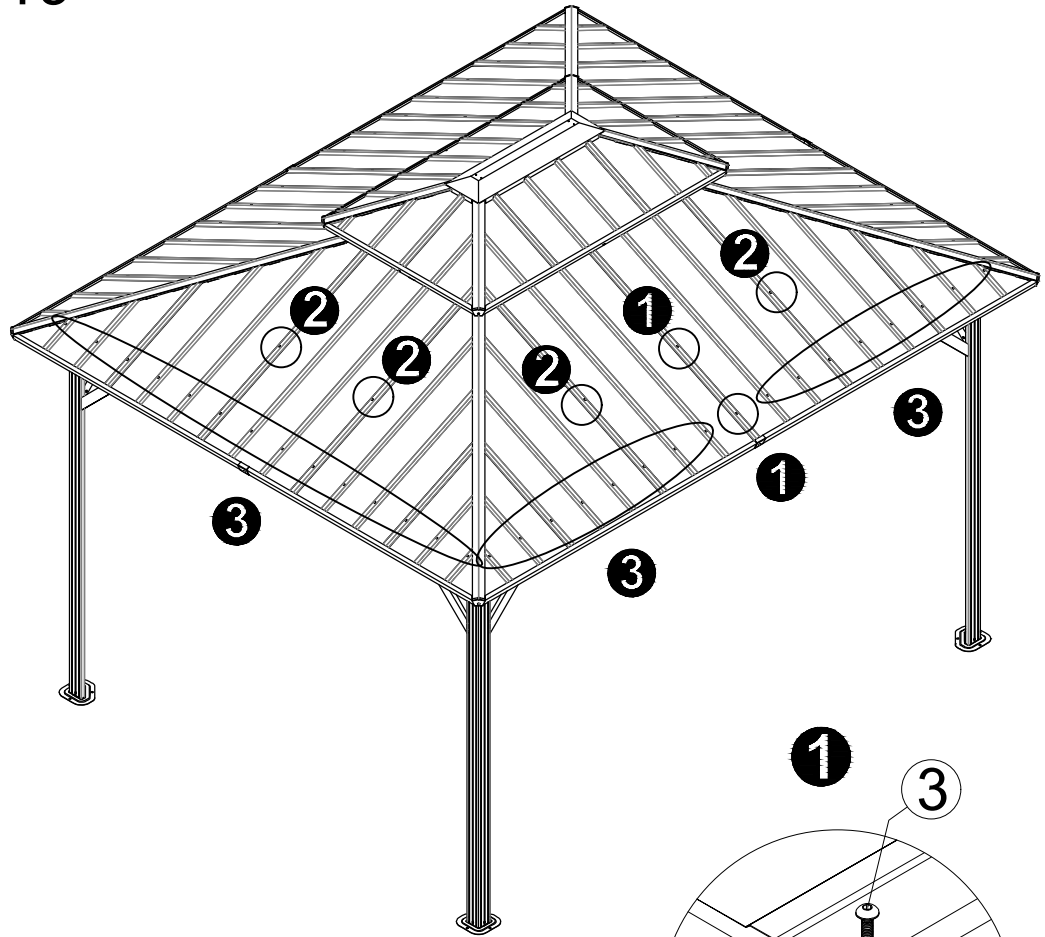
M6x23

2 60x



M6x45

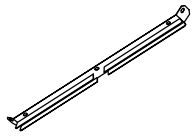
7 8x



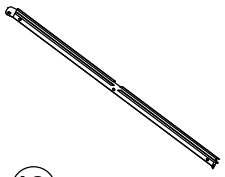
Note: When installing the roof top plates, if the roof plates are slightly uneven, pls press the screws from the top of the plates until the bottom screw thread is exposed by 3 to 4mm, and then screw on the nut.

<20>

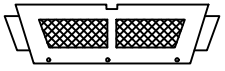
1



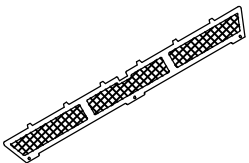
I1 2x



I9 2x



V1 2x



V6 2x



N 4x



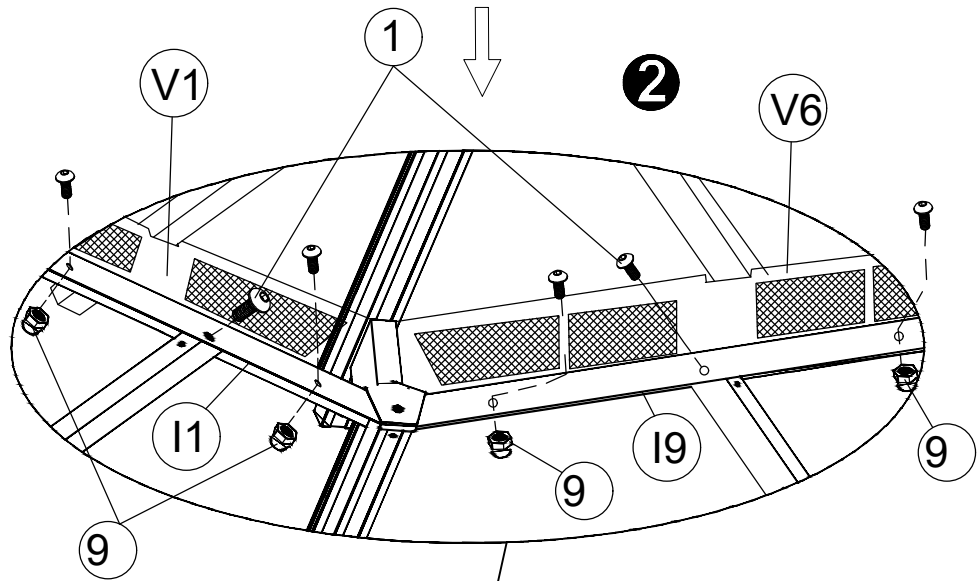
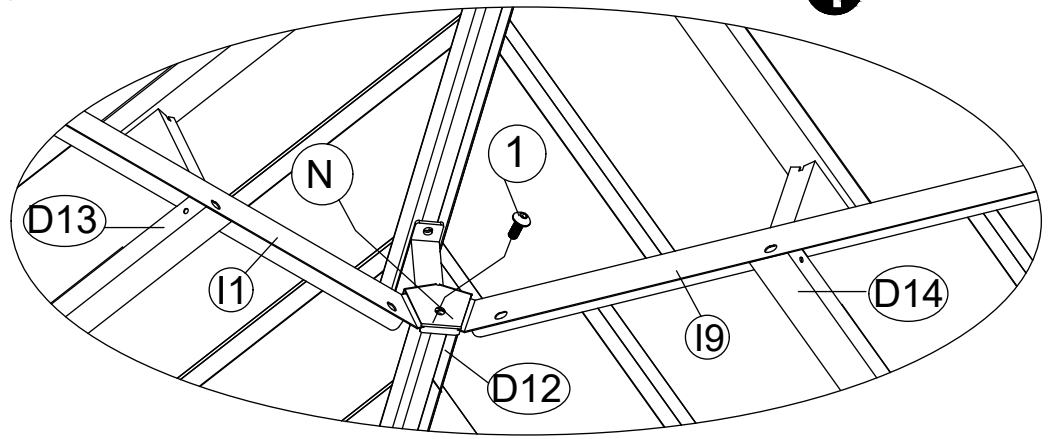
M6x15

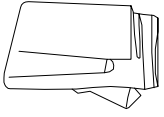
1 8x



M6x10

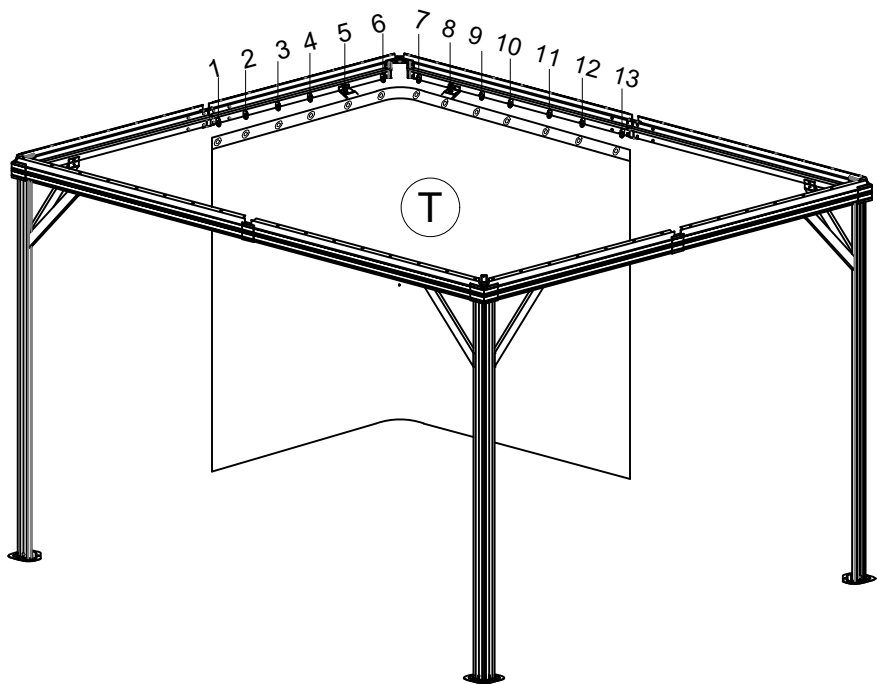
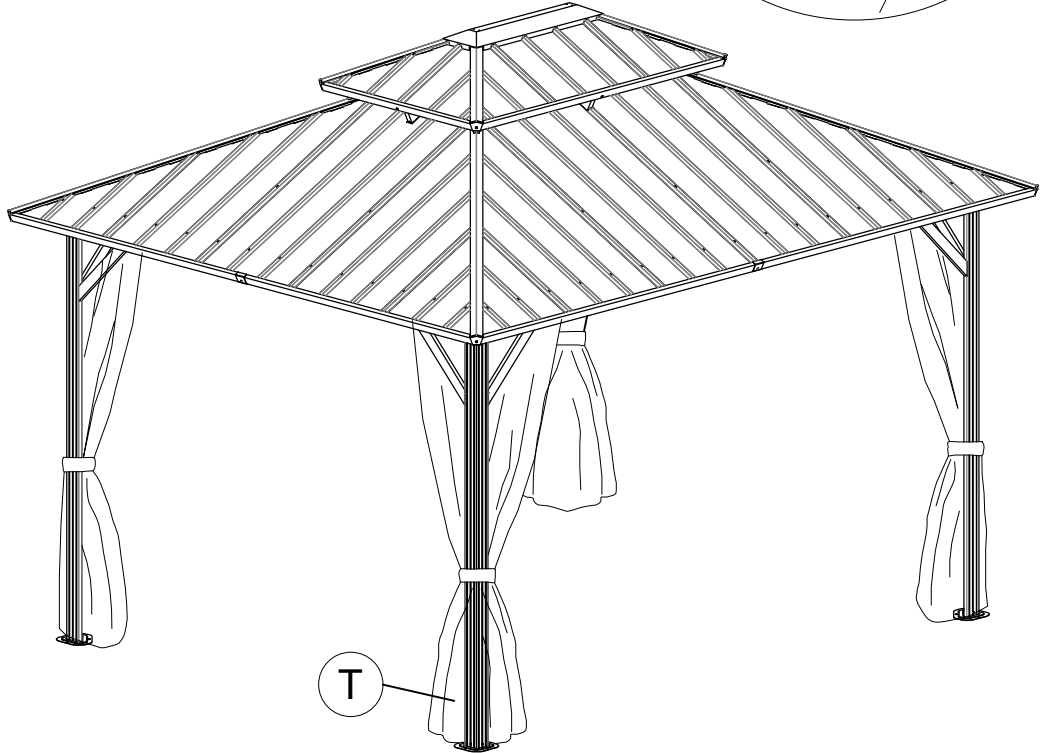
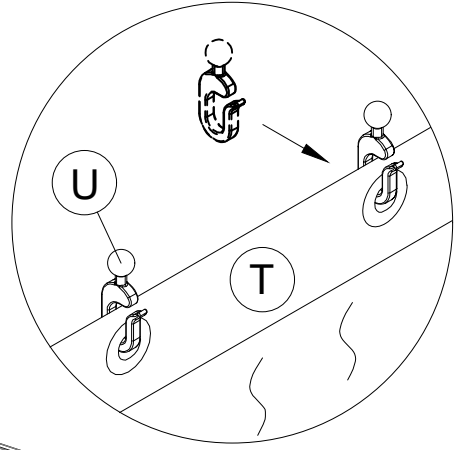
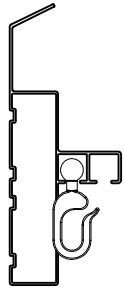
9 8x

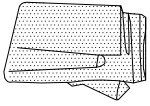




<21>

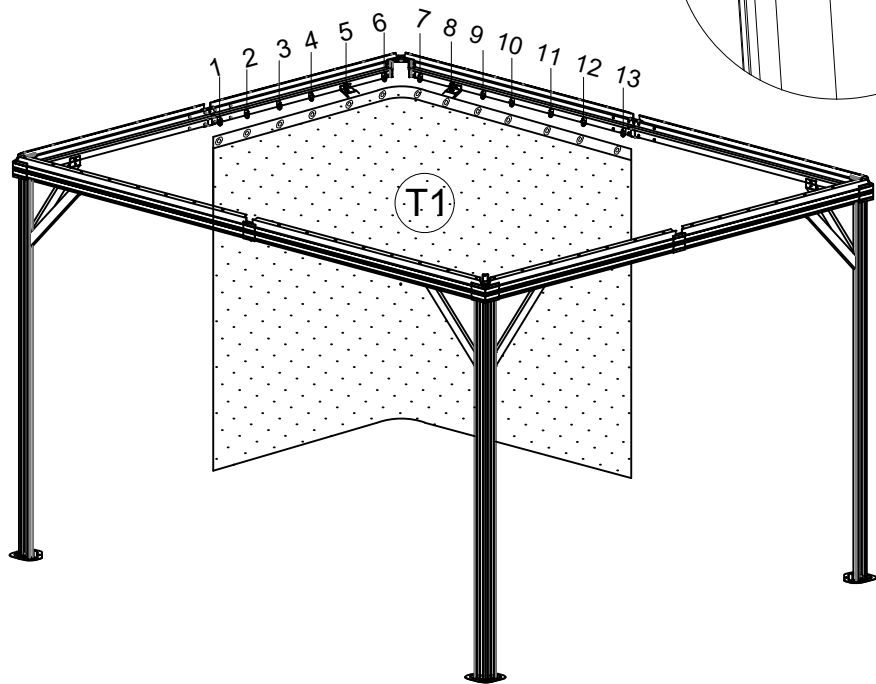
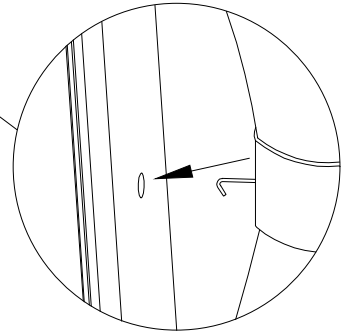
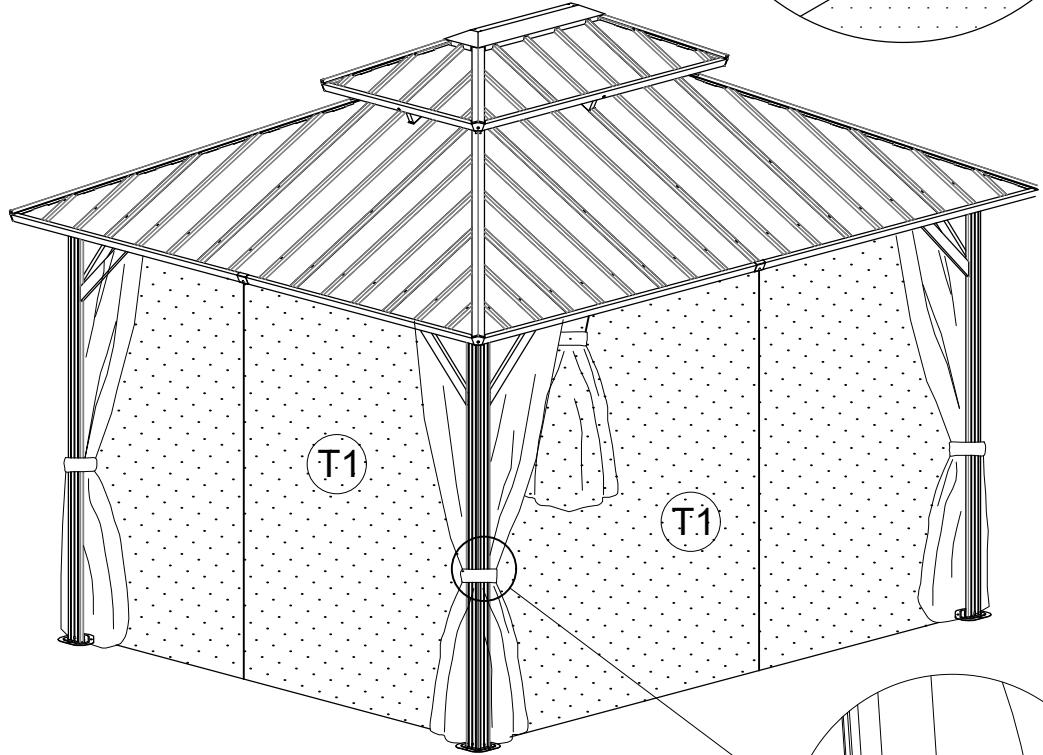
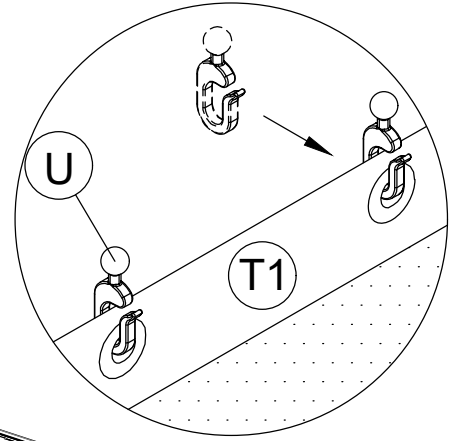
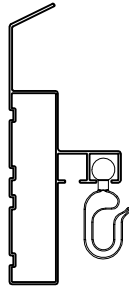
T 4x





T1 4x

<22>



Carton-1/2		Carton-1/2		Carton-2/2	
Part	Qty	Part	Qty	Part	Qty
A7	4	Q6	4	O1	4
D12	4	P1	4	O2	4
D13	2	Y	68	O3	4
D14	2	U1	104	O4	4
C9	2	Z	56	O5	2
C10	2	Z1	8	O6	2
W7	2	Z2	8	O7	2
W8	2	V1	2	S1	4
C7	2	V6	2	S2	4
C8	2	T	4	S3	2
I1	2	1.2.3.4.5.6.7.8.9.10. 11.12.13.14.15.16	1	W5	2
I9	2			W6	2
G1	2			D9	4
G9	2			D8	4
F6	2			L6	1
F7	2			M2	1
F9	2			T1	4
F10	2				
H	4				
H1	4				
J	4				
K1	4				
K2	4				
V	4				
Q1	4				
Q4	8				
Q5	8				
N	12				
N1	4				