

# USE AND CARE GUIDE

CF01-56-QMW



**Please scan the below QR code to get the video for easy installation.**



# 01 Table of Contents

Safety Information	02	Remote control manual	07
Warranty	03	Match code	08
Ceiling installation	04	Fans Balance	09
Accessory drawing	05	Care and cleaning	10
Installation procedure	06	Trouble shooting	11

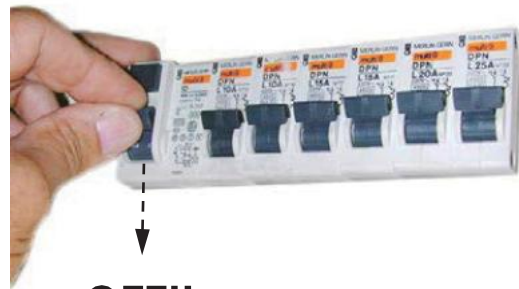
# 02 Safety Information

**READ ALL SAFETY INFORMATION AND INSTALLATION INSTRUCTIONS BEFORE YOU BEGIN INSTALLING THE FAN AND SAME INSTRUCTIONS.**



**Warning:**  
**Kindly turn off the power when connecting cables.**

1. To reduce the risk of electric shock, ensure the electricity has been turned off at the circuit breaker or fuse box before you begin.
2. All wiring must be in accordance with the National Electrical Code ANSI/NFPA 70-1999 and local electrical codes. Electrical installation should be performed by a qualified licensed electrician.
3. The outlet box and support structure must be securely mounted and capable of reliably supporting 35 lbs. (15.9 kg) Use only UL Listed outlet boxes marked "Acceptable for Fan Support of 35 lbs. (15.9 kg) or less".
4. The fan must be mounted with a minimum of 7 ft. (2.1 m) clearance from the trailing edge of the blades to the floor.
5. Do not place objects in the path of the blades.
6. To avoid personal injury or damage to the fan and other items, use caution when working around or cleaning the fan
7. Electrical diagrams are for reference only. Light kits that are not packed with the fan must be UL-listed and marked suitable for use with the model fan you are installing. Switches must be UL General Use Switches. Refer to the instructions packaged with the light kits and switches for proper assembly.
8. After making electrical connections, spliced conductors should be turned upward and pushed carefully up into the outlet box. The wires should be spread apart with the grounded conductor and the equipment-grounding conductor on one side of the outlet box.
9. All set screws must be checked and re-tightened where necessary before installation.



**OFF!!**



**WARNING:** To reduce the risk of personal injury, do not bend the blade brackets (also referred to as flanges) during assembly or after installation. Do not insert objects in the path of the blades.



**WARNING:** To reduce the risk of fire or electric shock, this fan is NOT suitable for use with solid-state speed controls.



**WARNING:** To avoid possible electrical shock, make sure that the electricity is turned off at the main power box before starting work. If you feel you do not have enough electrical wiring knowledge or experience, contact a licensed electrician.



**WARNING:** Electrical diagrams are for reference only. Optional use of any light kit shall be UL-listed and marked suitable for use with this fan



**WARNING:** To reduce the risk of fire, electrical shock or personal injury, ensure that the fan mounting bracket is supported directly from the building structure or the outlet box marked "Acceptable for Fan Support of 35 lbs. (15.9 kg) or less". Use only the screws provided with the outlet box.

## 03 Warranty

---

The supplier warrants the fan motor to be free from defects in workmanship and material present at time of shipment from the factory for a lifetime after the date of purchase by the original purchaser. The supplier also warrants that all other fan parts, excluding any glass or acrylic blades, to be free from defects in workmanship and material at the time.

of shipment from the factory for a period of two years after the date of purchase by the original purchaser. We agree to correct such defects without charge or at our option replace with a comparable or superior model if the product is returned.

To obtain warranty service, you must present a copy of the receipt as proof of purchase. All costs of removing and re-installing the product are your responsibility. Damage to any part such as by accident, misuse, improper installation, or by affixing any accessories, is not covered by this warranty.

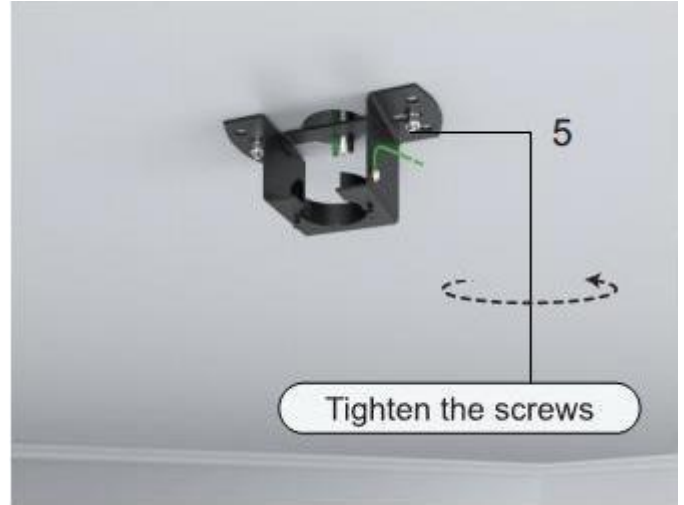
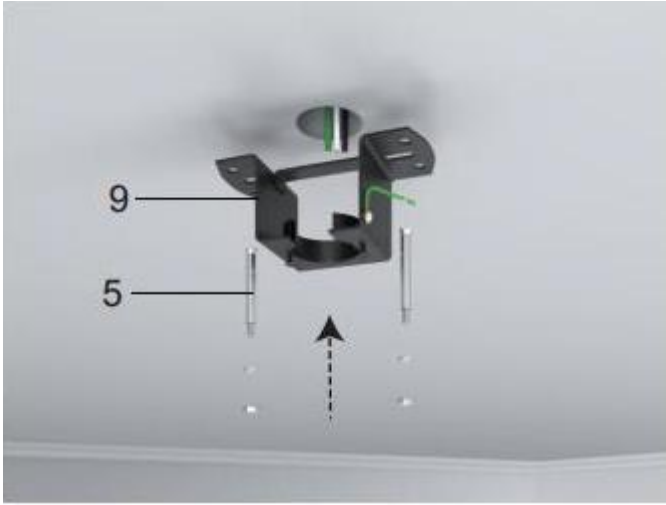
Because of varying climatic conditions this warranty does not cover any changes in brass finish, including rusting, pitting, corroding, tarnishing, or peeling. Brass finishes of this type give their longest useful life when protected from varying weather conditions. A certain amount of "wobble" is normal and should not be considered a defect.

Servicing performed by unauthorized persons shall render the warranty invalid. There is no other express warranty. hereby disclaims any and all warranties, including but not limited to those of merchant ability and fitness for a particular purpose to the extent permitted by law. The duration of any implied warranty which cannot be disclaimed is limited to the time period as specified in the express warranty. Some states do not allow a limitation on how long an implied warranty lasts, so the above limitation may not apply to you.

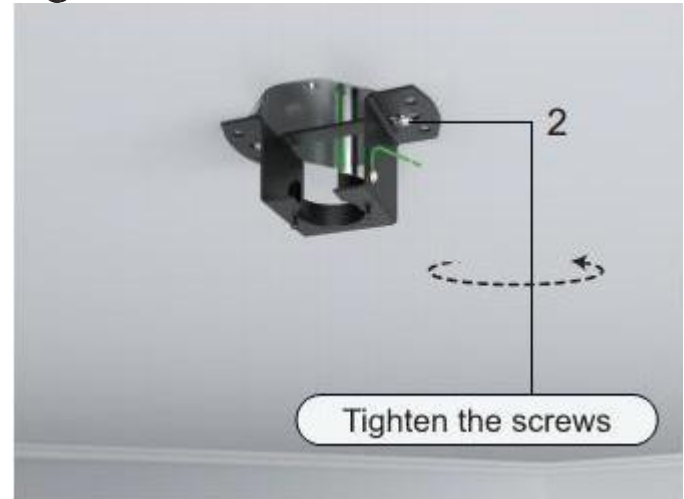
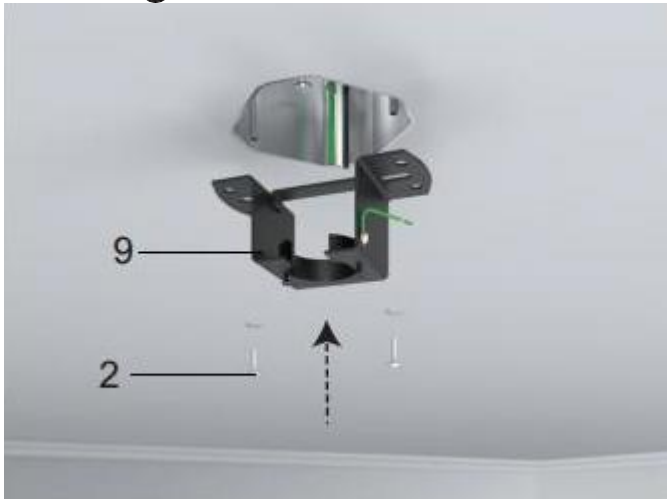
The retailer shall not be liable for incidental, consequential, or special damages arising out of or in connection with product use or performance except as may otherwise be accorded by law. Some states do not allow the exclusion of incidental or consequential damages, so the above exclusion or limitation may not apply to you. This warranty gives specific legal rights, and you may also have other rights which vary from state to state. This warranty supersedes all prior warranties. Shipping costs for any return of product as part of a claim on the warranty must be paid by the customer.

## 04 Three ceiling installation methods

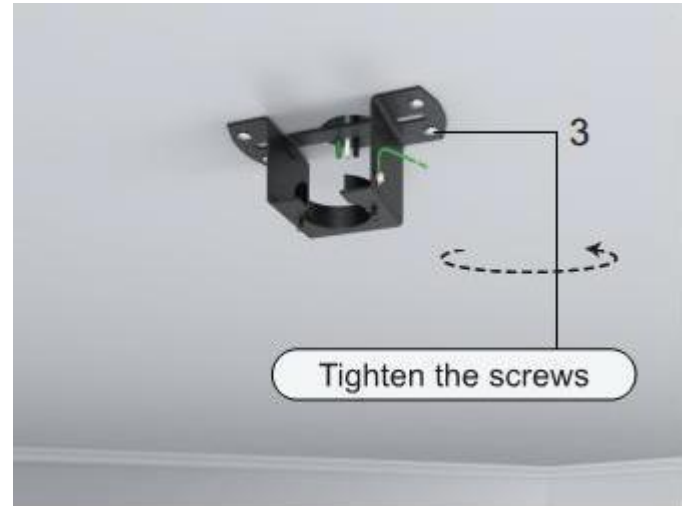
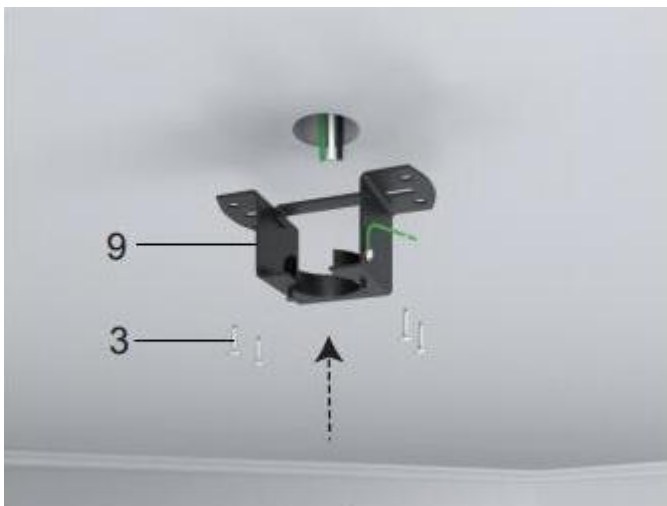
### Concrete Ceiling Mounting Bracket



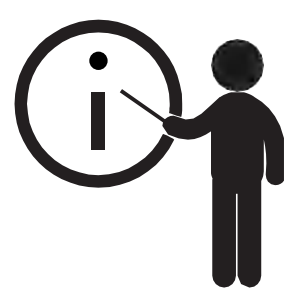
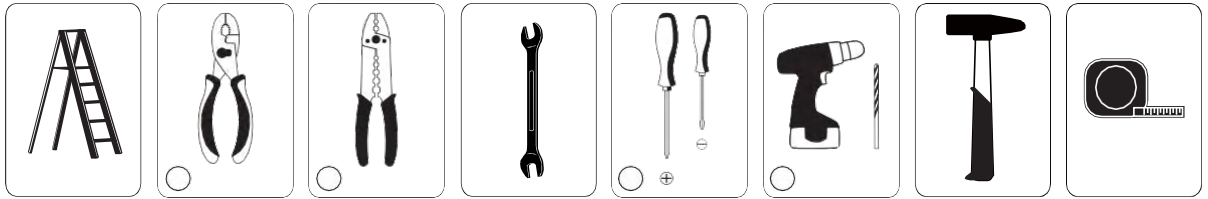
### Hanger for Junction Box Mounting Bracket



### Wooden ceiling Mounting Bracket



# 05 Accessory drawing



## 06 Installation procedure

1. Place one blade on the motor and align the screw holes



2. Tighten the screws



3. Place the other blades one by one and tighten the screws



4. Loosen and remove the 3 silver screws pre-locked on the motor (They will be needed later)



5. Put on the lamp panel and feed the wire plugs through the center hole



6. Tighten the 3 silver lamp panel screws



## 06 Installation procedure

7. Loosen and remove the 3 brass light kit screws pre-locked on the lamp panel (They will be needed later)



9. Align the screw holes and tighten the 3 brass light kit screws



13. Remove the 2 screws from the top of the fan motor



12. Remove 2 screws on the hanger ball



8. Connect the light source with the wires from the motor



10. Turn the fan over



11. Remove the lock pin and the bolt of the base of the downrod

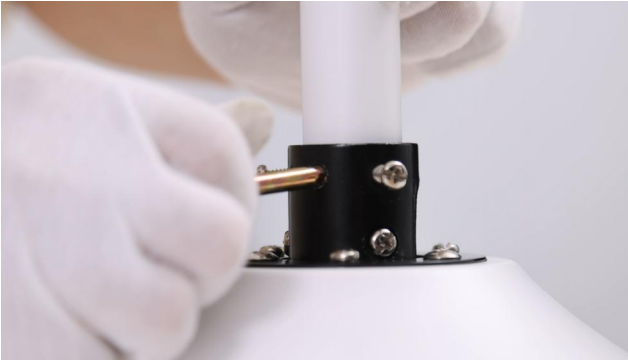


14. Select one downrod and pass all motor wires/light cables through it

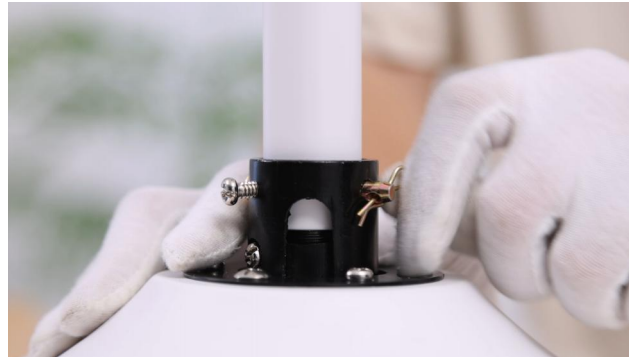


## 06 Installation procedure

15. Insert the bolt



16. Fix the bolt with the lock pin



17. Tighten the screws to prevent fan shaking during operation



18. Put the canopy cover through the downrod



19. Put the canopy cover through the downrod



20. Put the canopy through the downrod



21. Put the hanger ball through the downrod

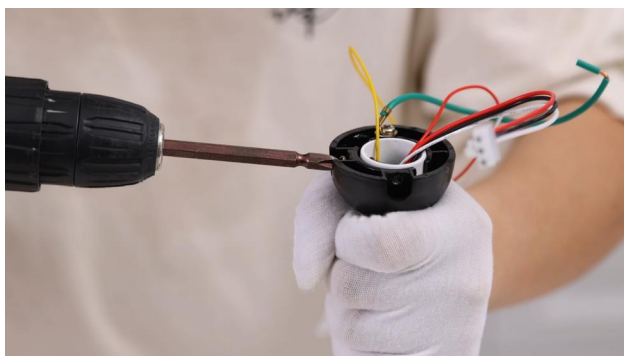


22. Insert the bolt



## 06 Installation procedure

23. Align the screw hole and tighten the screw



25. Connect the wire from the ceiling fan to the receiver (Red, Yellow and White wires)



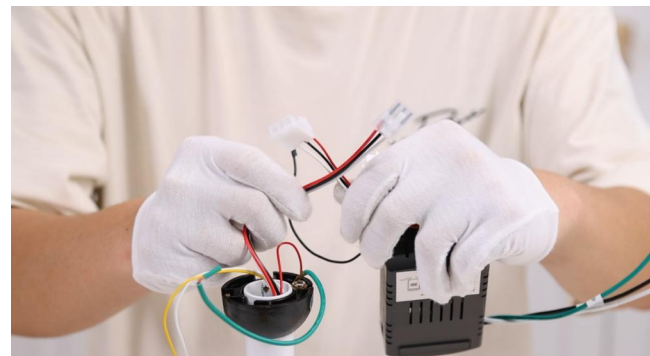
27. Install the ceiling bracket with four self tapping screws



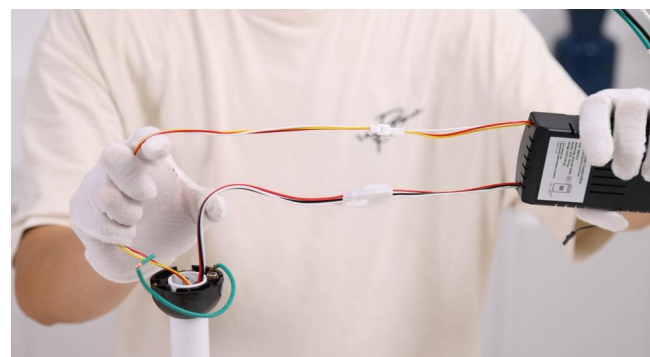
29. Loosen the 2 screws from the ceiling bracket



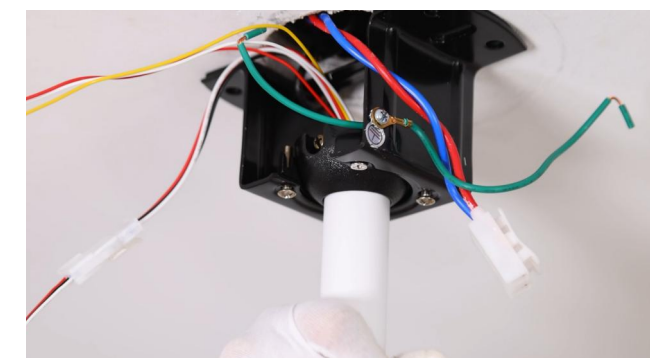
24. Connect the wire from the ceiling fan to the receiver (Red, White and Black wires)



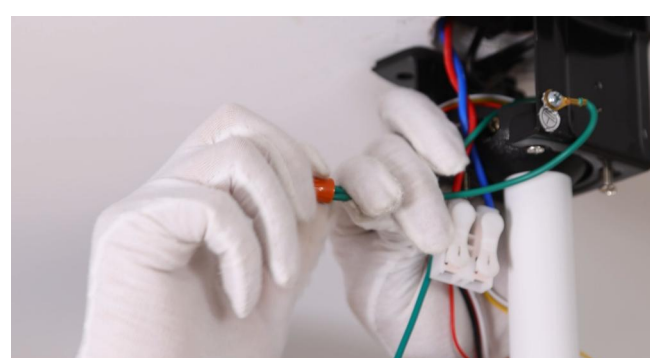
26. All wires are connected



28. Place the downrod ball into the slot in the ceiling bracket. If the slot doesn't align properly then rotate the ball

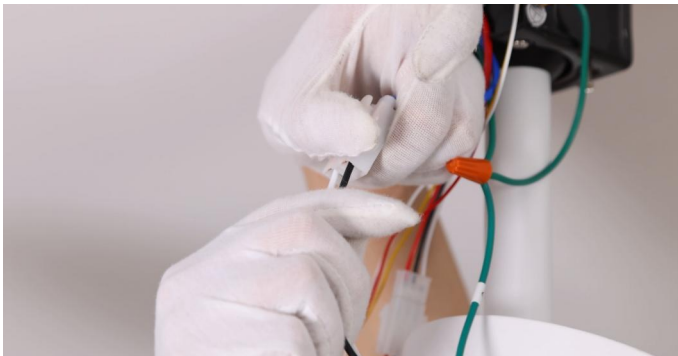


30. Use wire connecting nuts to connect the three ground wires (Green) coming from the downrod, receiver and hanging bracket



## 06 Installation procedure

31. Connect the fan live wire (black) to your house live wire; Connect the fan neutral wire (white) to your house neutral wire



32. Put the receiver into the mounting bracket



33. Wrap keyhole slots around the screws, twist clockwise and tighten 2 screws



34. Lift the canopy cover to the canopy



35. Install the lampshade and rotate it to lock

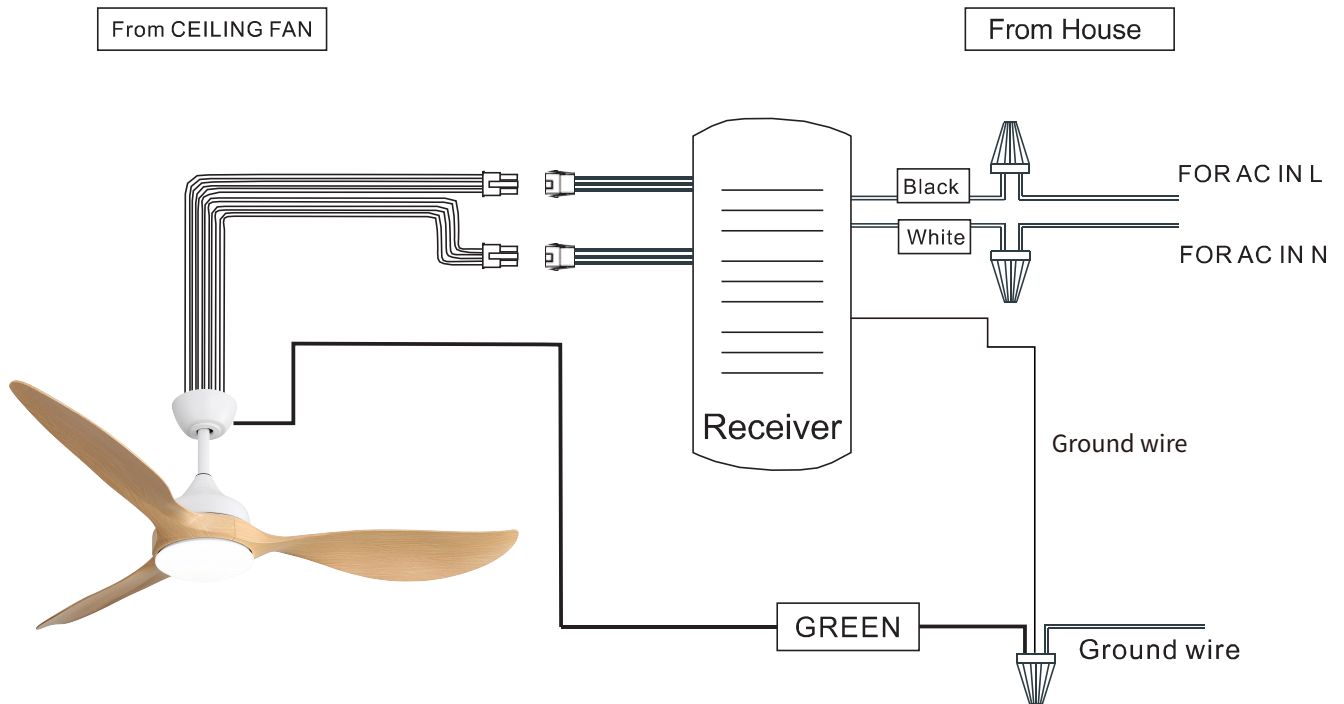


## 06 Installation procedure

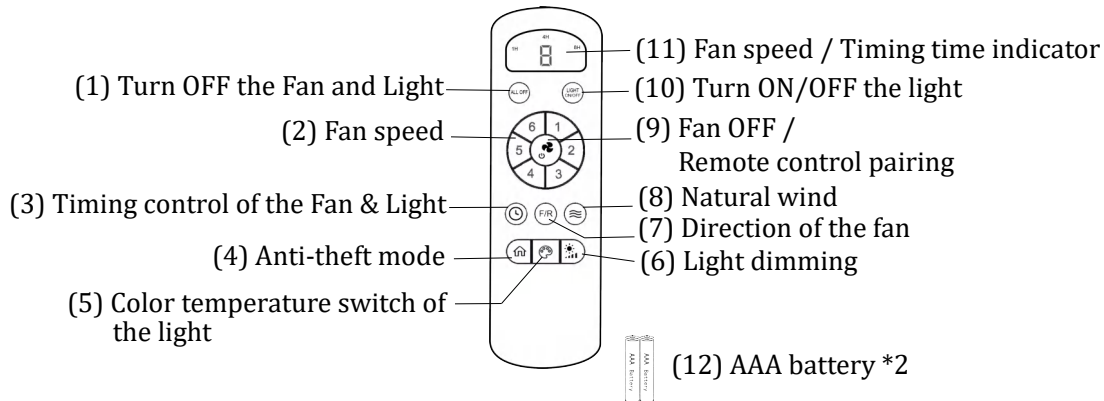


WARNING: Turn off the electric power during installation and making wire connection.

1. Connect the wire which from ceiling fan into the receiver
2. Connect the wire from receiver with the wire from house.



## USER MANUAL FOR REMOTE CONTROL TRANSMITTER



### (1) Turn OFF the Fan and Light

Trun OFF the Fan and Light together.

### (2) Fan speed

Press the key 1-6 to start the fan.

### (3) Timing control of the Fan and Light

- Press the key to set up the timer at 1hour ,4 hours or 8 hours to set up fan and lamp timer. At the end of the timing, the fan and lamp will be automatically turned off.
- When the timing function is in effect, you can operate all the functions of the ceiling fan, and then press any timing button to recalculate the timing time.
- Timer setting cancellation : When timing function is working, press key(1) to cancel the timing function.

### (4) Anti-theft mode

Press the key to turn on or turn off Anit-theft mode:

Every three hours, the light will automatically turn on and go out after 30 minutes. Press the key again to cancel.

### (5) Color temperature Switch of the light

Press the key to change LED light color : white-yellow-warm (circulate).

### (6) Light dimming

When the light is on, press and hold the key, the light gradually brightened - gradually dimmed(circulate).

### (7) Direction of the fan

Press the key to change direction of the fan.

### (8) Natural wind

Press the key, the fan speed automatic change between 1 to 6 speed.

### (9) Fan OFF / Remote control pairing

- Turn OFF the fan.
- **Remote control pairing** : when AC power on, press and hold the key for 3-5 seconds, then finish the remote control pairing.

Notice:

The remote controller only needs to be paired once. After the paired product, the controller will have memory. The products have been paired before leaving the factory. When the remote control is damaged or lost, it is necessary to implement remote control pairing before using a new remote control.

### (10) Turn ON/OFF the Light

### (11) Fan speed and Timing time indicator

The indicator light will light up when press any key of the remote control

### (12) AAA battery \* 2

- Please install 2 pieces of AAA batteries before use.
- Please remove the battery when it is not used for a long time.

**Note: the remote control must match the same code receiver**

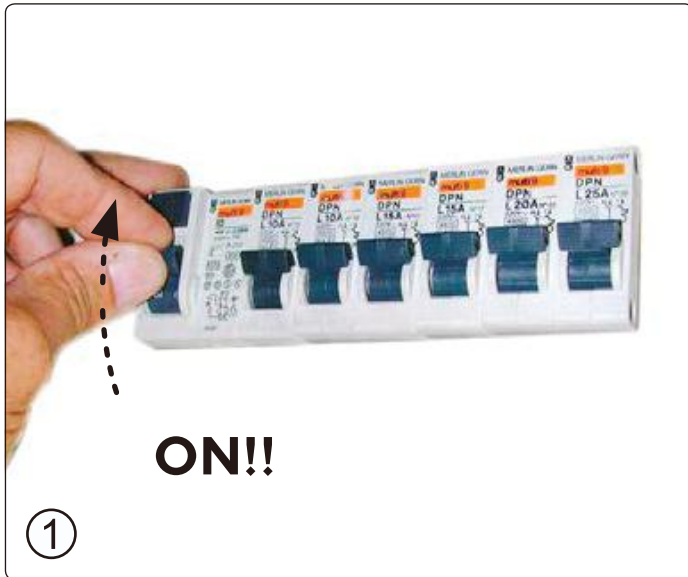


**When the reversible button is pressed, the fan slowly slows down to a stop and then begins to reverse.**

# 08 Fans Balance



if it does not work



1. Turn on the main switch.

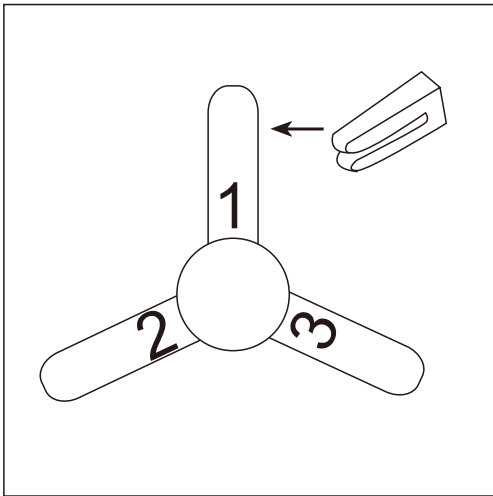


2. Pressing and holding this key for 5 seconds.

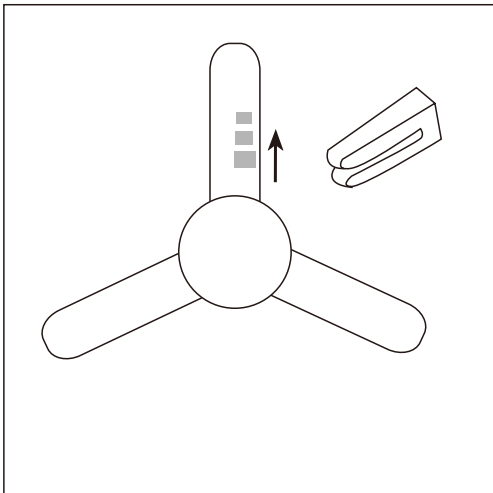


3. The pairing is successful when the LED light flashes

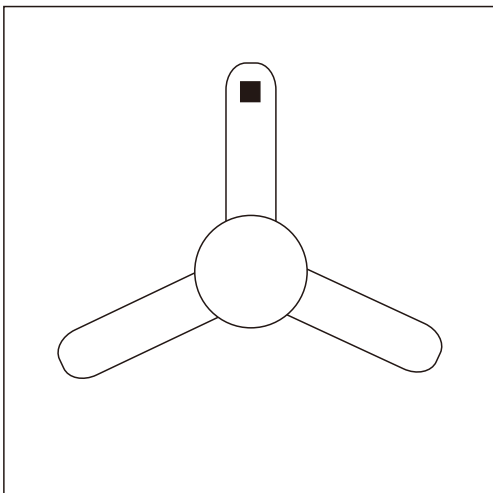
## 09 Care and Cleaning



Put the clip in the center of a blade. turn on the fan and if the shake persists, put the clip in another blade until the shake is reduced. Then this blade will need the counterweight.



Place the clip on the blade that needs t counterweight and try the best place t place it, from the center to the tip of th blade, until the wobble disappears.



Paste the counterweight on the surface of the blade which near the clip, remove the clip and test the fan. If it keep staggering put another counterweight. if it gets worse, try another better area to place it. please try it patiently till the fan is balanc

# 10 Care and Cleaning



WARNING: Make sure the power is off before cleaning your fan.

- Because of the fan's natural movement, some connections may become loose. Check the support connections, brackets, and blade attachments twice a year. Make sure they are secure. It is not necessary to remove the fan from the ceiling.
- Clean your fan periodically to help maintain its new appearance over the years. Do not use water when cleaning, as this could damage the motor, or the wood, or possibly cause an electrical shock. Use only a soft brush or lint-free cloth to avoid scratching the finish. The plating is sealed with a lacquer to minimize discoloration or tarnishing.
- You can apply a light coat of furniture polish to the wood for additional protection and enhanced beauty. Cover small scratches with a light application of shoe polish.

The motor has permanently-lubricated sealed ball bearings.

# 11 Trouble shooting

Problem	Solution
The fan will not start.	<ul style="list-style-type: none"><li>□ Check the main and branch circuit fuses or breakers.</li><li>□ Check the line wire connections to the fan and switch wire connections in the switch housing.</li></ul>
The fan is noisy.	<ul style="list-style-type: none"><li>□ Ensure all motor housing screws are snug.</li><li>□ Ensure the screws that attach the fan blade bracket to the motor hub are tight.</li><li>□ Ensure the wire nut connections are not rattling against each other or the interior wall of the switch housing.</li><li>□ Allow a 24-hour "breaking in" period. Most noises associated with a new fan disappear during this time.</li><li>□ If you are using the Ceiling Fan light kit, ensure the screws securing the glassware are tight. Check that the light bulbs are also secure.</li><li>□ Ensure the canopy is a short distance from the ceiling. It should not touch the ceiling.</li><li>□ Ensure your outlet box is secure and rubber isolator pads were used between the mounting plate and outlet box.</li></ul>
The fan wobbles.	<ul style="list-style-type: none"><li>□ Please check and follow the instructions: Chapitre No.13 Fan balance on page 16.</li></ul>

