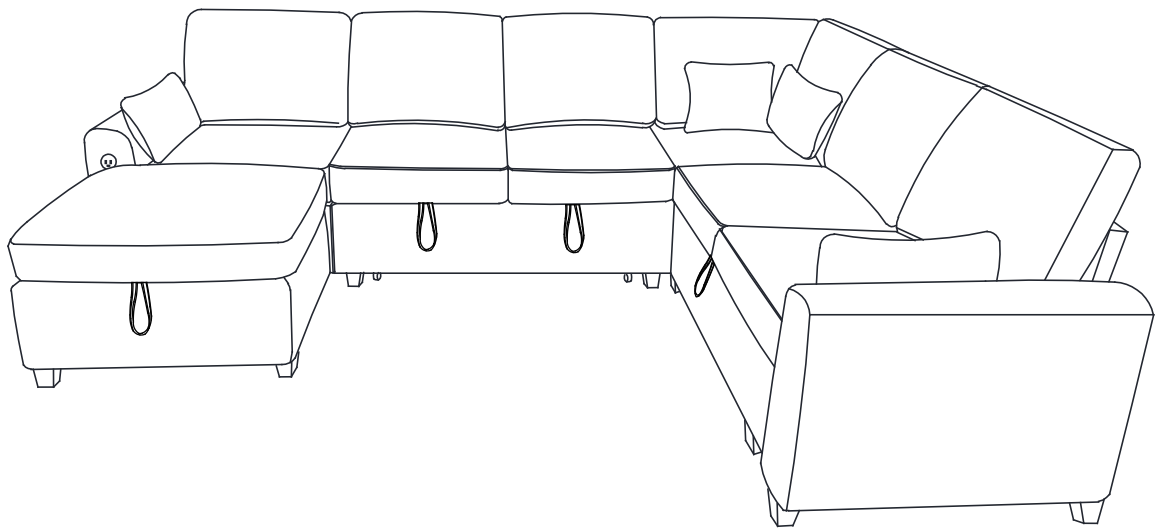


# Modular Sectional Sleeper Sofa

## Assembly Instructions



**KINDLY NOTICE-** Please read these instructions carefully before starting assembly

### HASSEL-FREE WARRANTY

We proudly provide **1-YEAR** warranty, if there are any questions with the products, please feel free to contact with us.

✉ Email: [sofafurnitureservice@outlook.com](mailto:sofafurnitureservice@outlook.com)



The assembly will be easier with 2 people while 1 person could also do the job.



Around 30 MINS ASSEMBLY

# Quick Start:

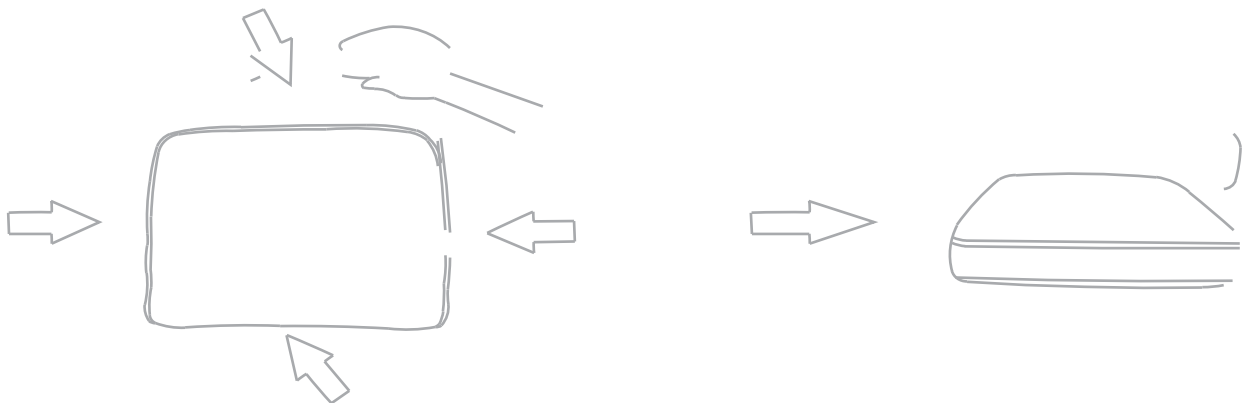
**1. Find your variant & check boxes.** Different variants ship with different boxes. Before assembly, confirm you've received all boxes. If any box or part is missing or damaged, please contact us by email or through the platform and we'll help right away.

| Variant        | Expected boxes | Total |
|----------------|----------------|-------|
| 2 Seat Sleeper | B+E            | 2     |
| 3 Seat Sleeper | B+D+E          | 3     |
| 5 Seat Sleeper | A+B+C+E        | 4     |
| 6 Seat Sleeper | B+D+D+E        | 4     |
| 7 Seat Sleeper | A+B+C+D+E      | 5     |
| 8 Seat Sleeper | A+B+B+C+C+E    | 6     |

| Box | Name                              |
|-----|-----------------------------------|
| A   | 2-Seat Storage Module             |
| B   | 2-Seat Sleeper Module (Pull-out)  |
| C   | Corner Seat Module                |
| D   | Single Seat+Ottoman Module        |
| E   | Armrests(Left & Right, as a pair) |

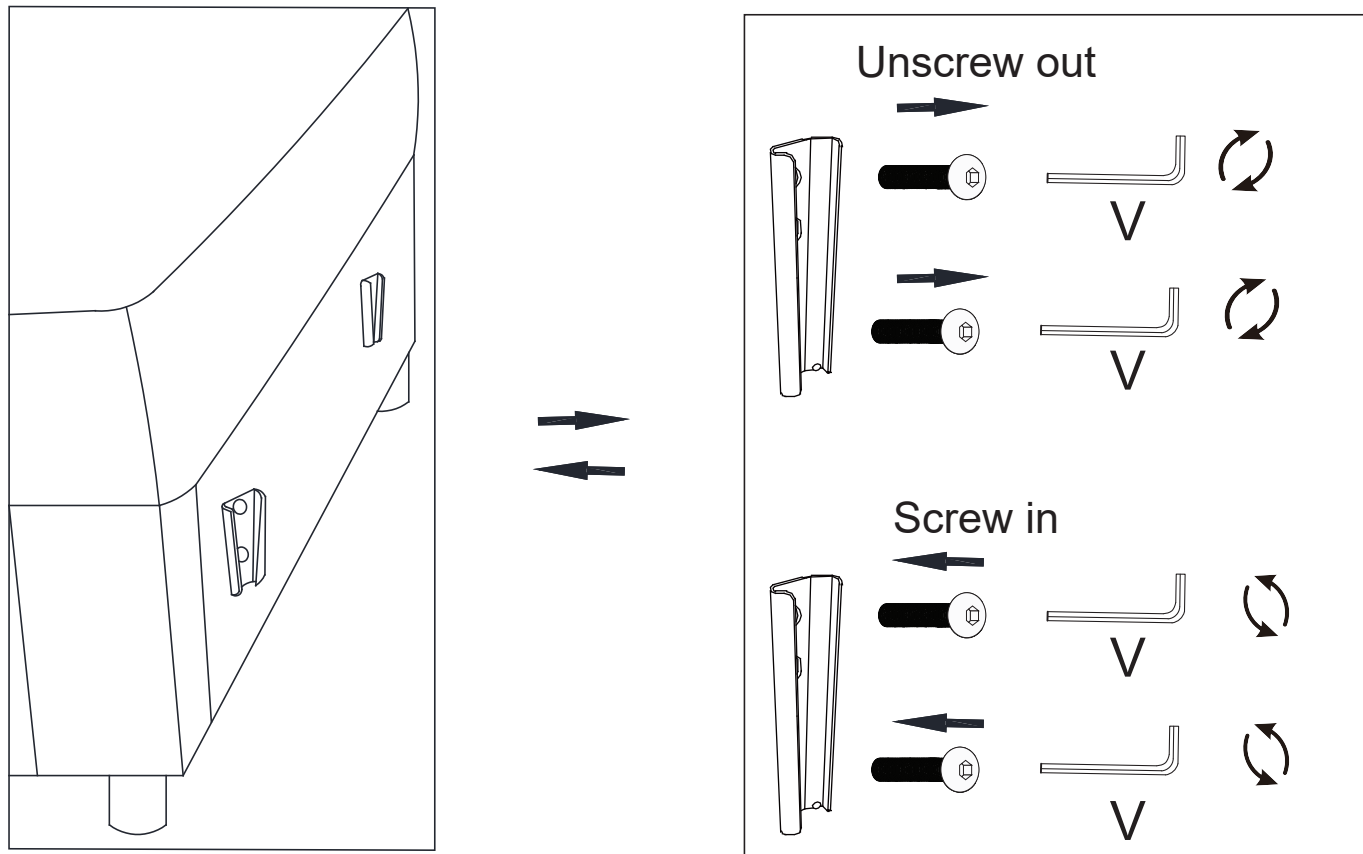
**2. Color may vary slightly.** Due to lighting and display differences, the actual material color may differ slightly from the photos.

**3. Vacuum-packed cushions.** To reduce shipping volume, cushions are vacuum-packed. After unsealing, gently pat and fluff each cushion and allow 24–72 hours to fully recover to the look shown in the images.



- ① .Pat to make it rebound better and fluffy.
- ② .Knead your cushion like giving your cushion a massage while allowing the air to flow through the foam.

**4. The connector tabs come pre-installed on the sofa. For different layout options, you may need to replace them during assembly. All parts are included (plus an extra pair). See the diagrams below for replacement steps**



## RETURN ISSUE

We offer 30-day returns, please feel free to contact us if you have any questions. Return requirements:

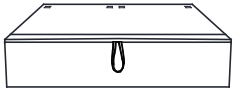
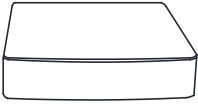
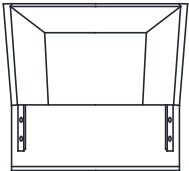



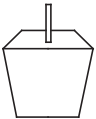

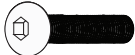
1. Original carton in good condition
2. No damage to the product



Contact Customer Service Team

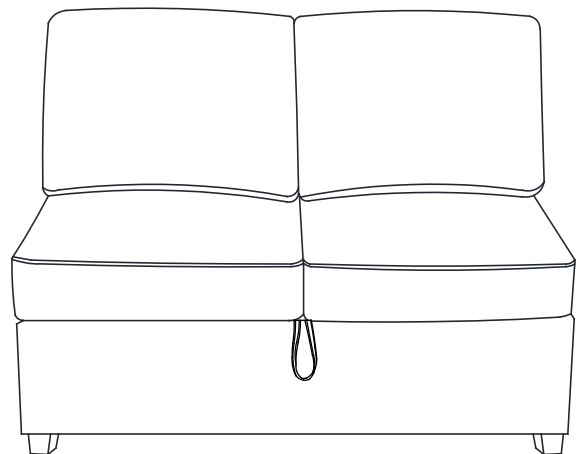
**Email: [sofafurniture@outlook.com](mailto:sofafurniture@outlook.com)**

# **PARTS LIST (BY BOX)**

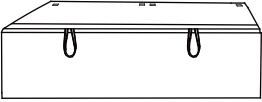

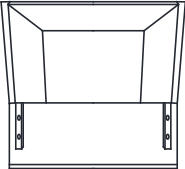


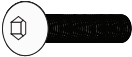



# BOX A: 2 Seat Storage Module

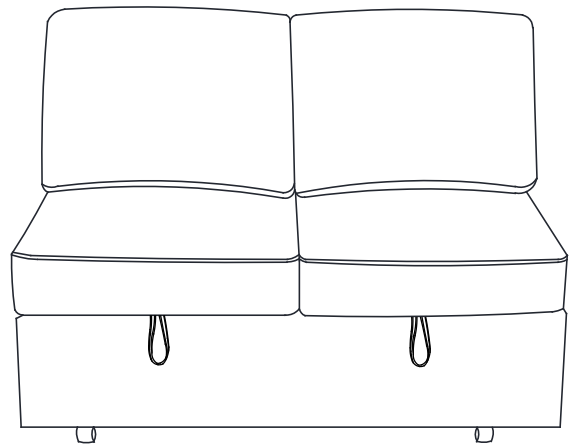
|   |                 |  |      |
|---|-----------------|--|------|
| A | Loveseat frame  |               | 1PC  |
| B | Seat cushion    |               | 2PCS |
| C | Backrest        |               | 2PCS |
| L | Back cushion    |              | 2PCS |
| W | Connector tabs  |             | 1PC  |
| X | Connector tabs  |             | 1PC  |
| Q | Supporting feet |             | 4PCS |
| R | Gaskets         |             | 4PCS |
| S | Screws          | <br>M8*30mm | 8PCS |

|   |           |   |      |
|---|-----------|---|------|
| U | Washers   |  | 8PCS |
| V | Alley key |  | 1PC  |

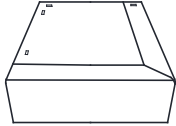

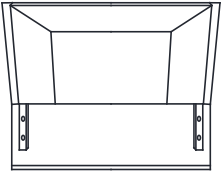


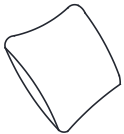


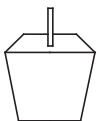



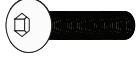


# BOX B:2 Seat Sleeper Module (Pull out)

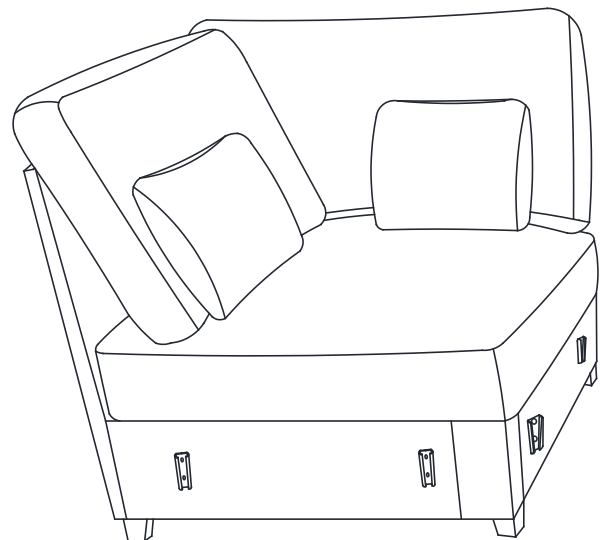
|   |                    |   |      |
|---|--------------------|---|------|
| Y | Pull out Bed frame |    | 1PC  |
| B | Seat cushion       |    | 2PCS |
| C | Backrest           |    | 2PCS |
| L | Back cushion       |   | 2PCS |
| P | Wheels             |  | 4PCS |
| S | Screws<br>M8*30mm  |  | 8PCS |
| T | Screws<br>M6*16mm  |  | 8PCS |
| U | Washers            |  | 8PCS |
| V | Alley key          |  | 1PC  |



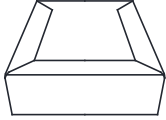
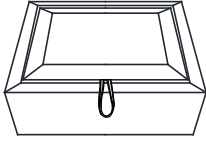

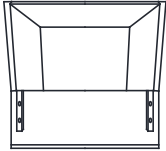




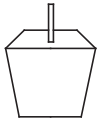
# BOX C: Corner Seat Module





|   |                           |   |      |
|---|---------------------------|---|------|
| D | Corner seat frame         |    | 1PC  |
| I | Corner cushion            |    | 1PC  |
| H | Corner backrest           |    | 2PCS |
| M | Corner left back cushion  |   | 1PC  |
| N | Corner right back cushion |  | 1PC  |
| O | Pillows                   |  | 2PCS |
| W | Connector tabs            |  | 1PC  |
| X | Connector tabs            |  | 1PC  |
| Q | Corner backrest           |  | 4PCS |

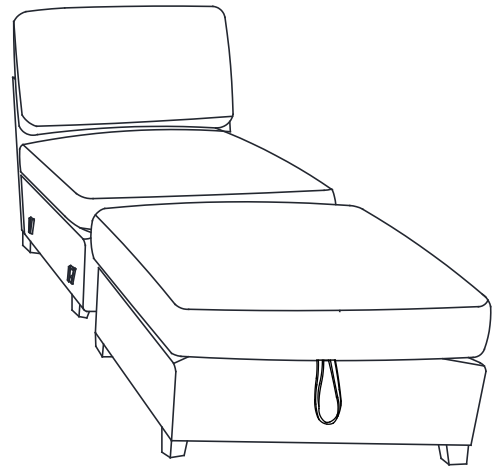
|   |           |  |      |
|---|-----------|--|------|
| R | Gaskets   |             | 4PCS |
| S | Screws    | <br>M8*30mm | 8PCS |
| U | Washers   |             | 8PCS |
| V | Alley key |            | 1PC  |



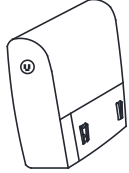
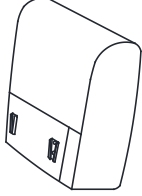

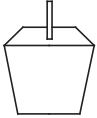

# BOX D: Single Seat + Ottoman Module


|   |                   |   |      |
|---|-------------------|---|------|
| E | Single seat frame |    | 1PC  |
| F | Ottoman frame     |    | 1PC  |
| B | Seat cushion      |    | 1PC  |
| C | Backrest          |   | 1PC  |
| G | Ottoman cushion   |  | 1PC  |
| L | Back cushion      |  | 1PC  |
| W | Connector tabs    |  | 1PC  |
| X | Connector tabs    |  | 1PC  |
| Q | Supporting feet   |  | 8PCS |

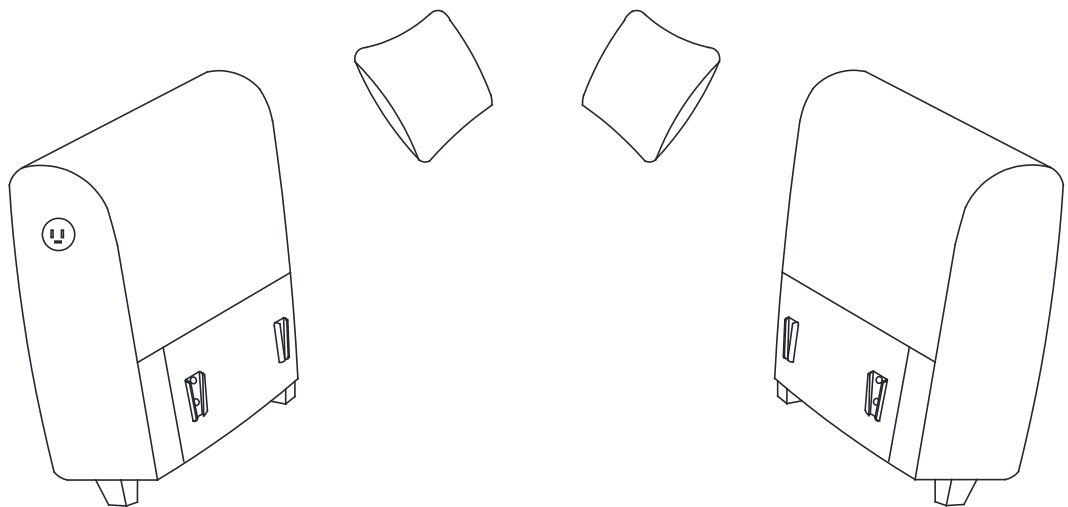
|   |           |  |      |
|---|-----------|--|------|
| R | Gaskets   |             | 8PCS |
| S | Screws    | <br>M8*30mm | 4PCS |
| U | Washers   |             | 4PCS |
| V | Alley key |            | 1PC  |



# BOX E: Armrests (Left & Right, as a pair)

|   |                 |   |      |
|---|-----------------|---|------|
| J | Left armrest    |    | 1PC  |
| K | Right armrest   |    | 1PC  |
| O | Pillows         |    | 2PCS |
| Q | Supporting feet |   | 4PCS |
| R | Gaskets         |  | 4PCS |




|   |      |   |     |
|---|------|---|-----|
| Z | Plug |  | 1PC |
|---|------|---|-----|

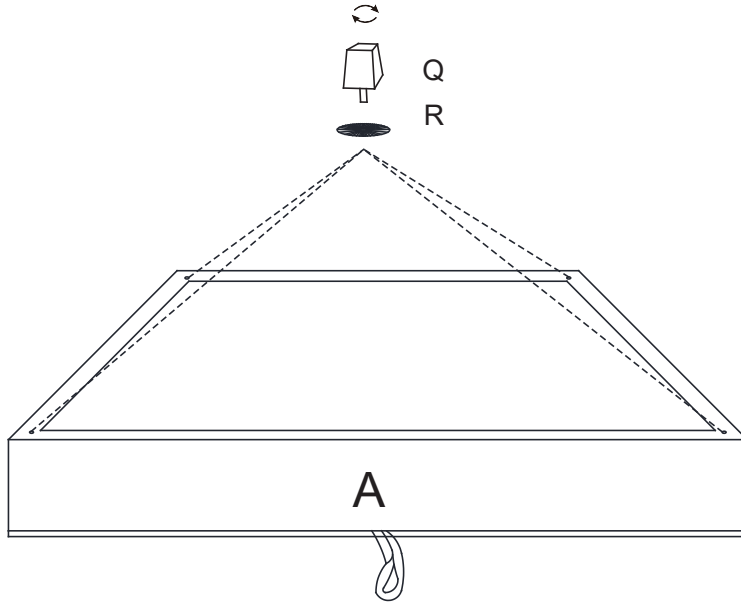


**UNIVERSIAL  
MODULE STEPS  
(BY BOX)**





# BOX A

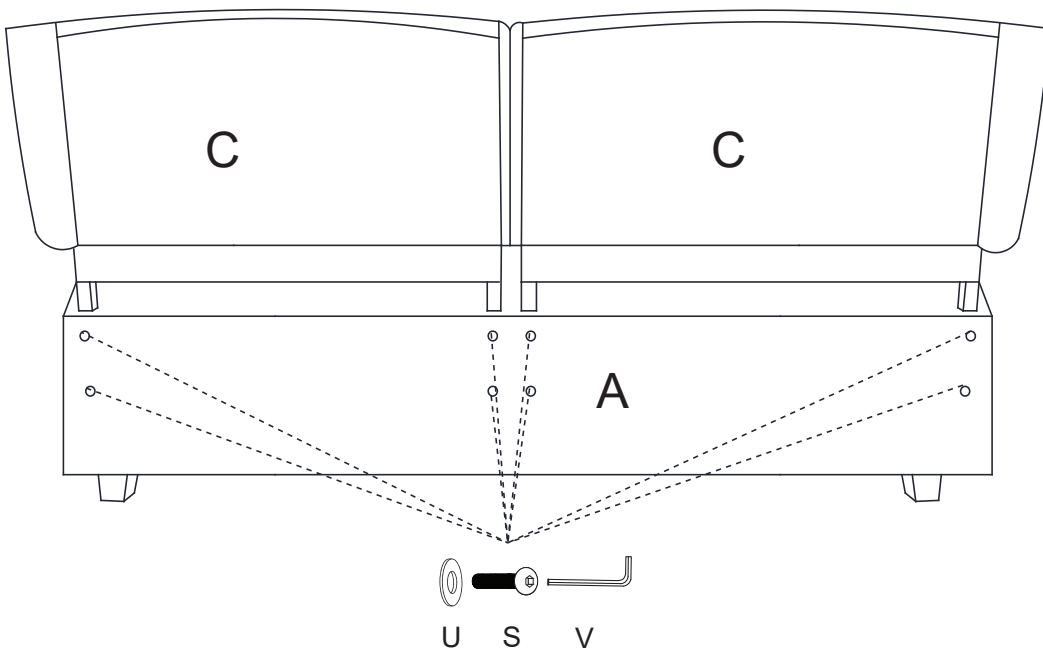
step 1:

|   |   |    |
|---|---|----|
| A |  | x1 |
| Q |  | x4 |
| R |  | x4 |



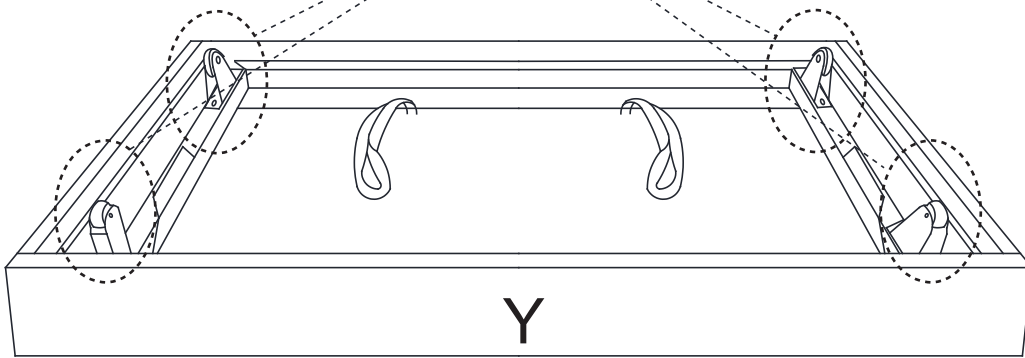
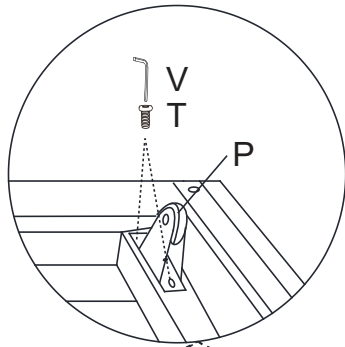
step 2:

|   |   |    |
|---|---|----|
| C |  | x2 |
| S |  | x8 |
| U |  | x8 |
| V |  | x1 |



# BOX B

step 3:

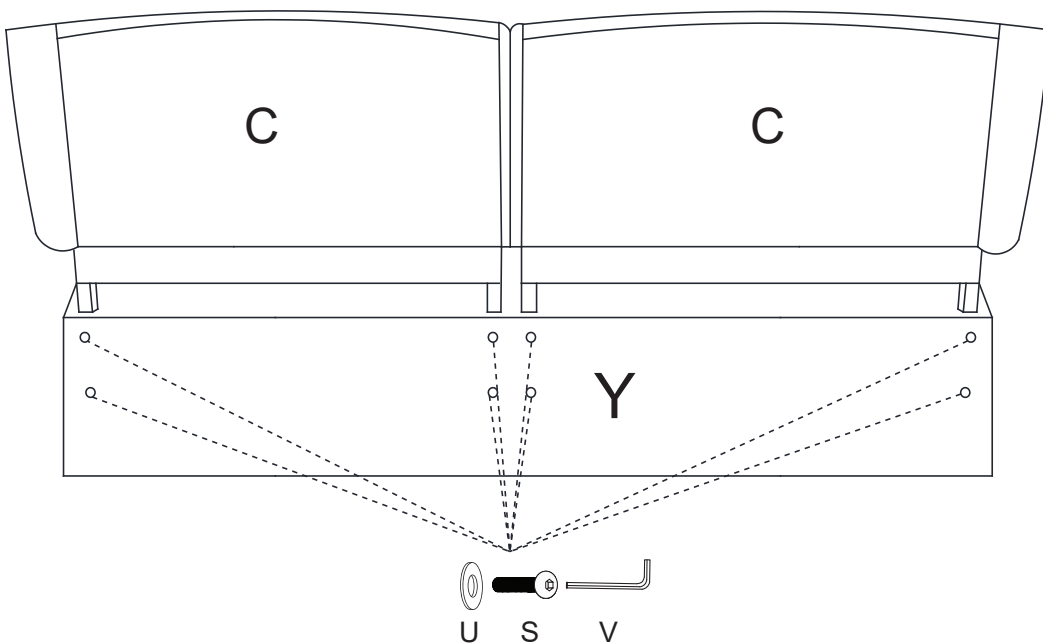


|   |  |    |
|---|--|----|
| Y |  | x1 |
| P |  | x4 |

|   |  |    |
|---|--|----|
| T |  | x8 |
| V |  | x1 |

|          |      |  |
|----------|------|--|
| <br>100% | 80%  |  |
|          | 100% |  |

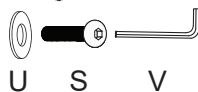
step 4:



|   |  |    |
|---|--|----|
| C |  | x2 |
|---|--|----|

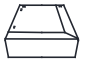


|   |  |    |
|---|--|----|
| S |  | x8 |
| U |  | x8 |
| V |  | x1 |

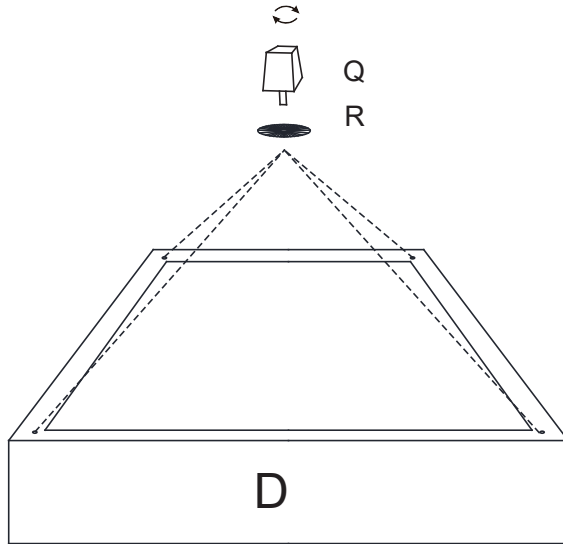
|          |      |  |
|----------|------|--|
| <br>100% | 80%  |  |
|          | 100% |  |



# BOX C

step 5:

|   |   |    |
|---|---|----|
| D |  | x1 |
| Q |  | x4 |
| R |  | x4 |




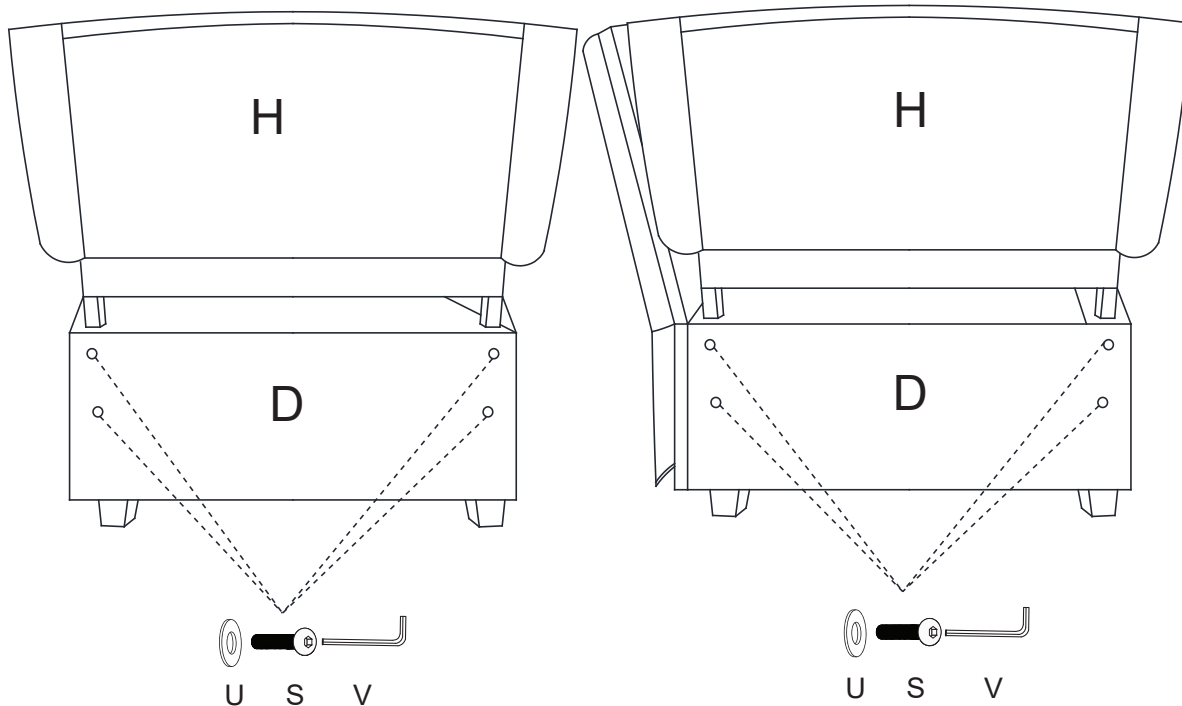
step 6:




|   |   |    |
|---|---|----|
| H |  | x2 |
|---|---|----|

|   |   |    |
|---|---|----|
| S |  | x8 |
|---|---|----|

|   |   |    |
|---|---|----|
| U |  | x8 |
|---|---|----|





|   |   |    |
|---|---|----|
| V |  | x1 |
|---|---|----|

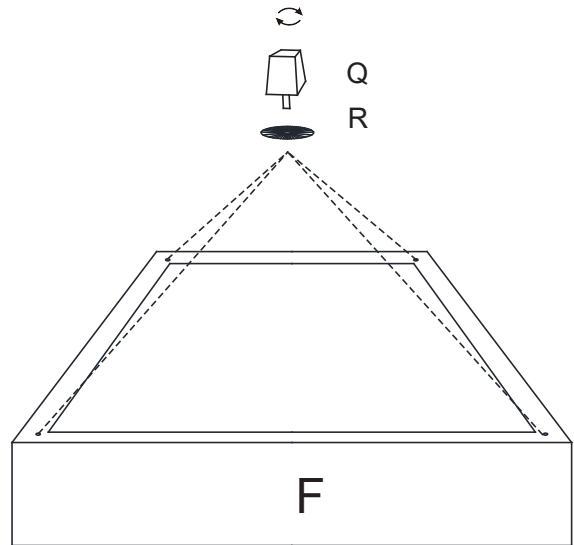
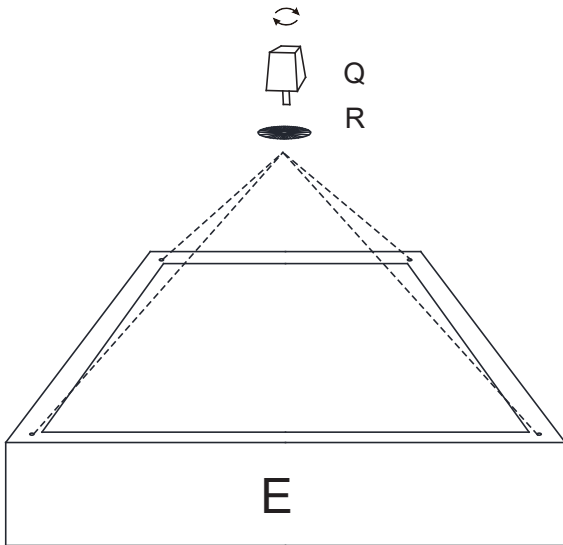


|   |           |   |
|---|-----------|---|
|  | 80%<br>X  |  |
|   | 100%<br>✓ |  |


# BOX D




step 7:



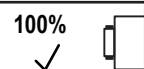
|   |   |    |
|---|---|----|
| E |  | x1 |
| F |  | x1 |
| Q |  | x8 |
| R |  | x8 |

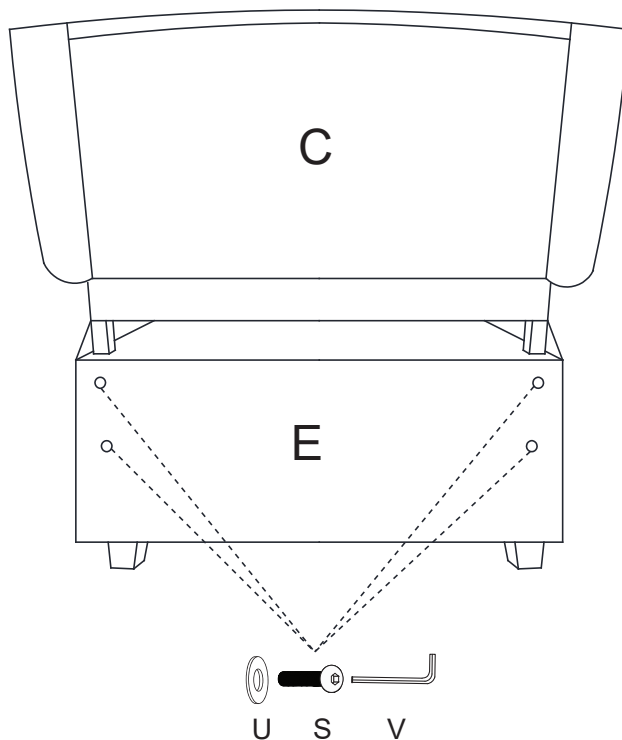


step 8:

|   |   |    |
|---|---|----|
| C |  | x1 |
|---|---|----|





|   |   |    |
|---|---|----|
| S |  | x4 |
| U |  | x4 |
| V |  | x1 |

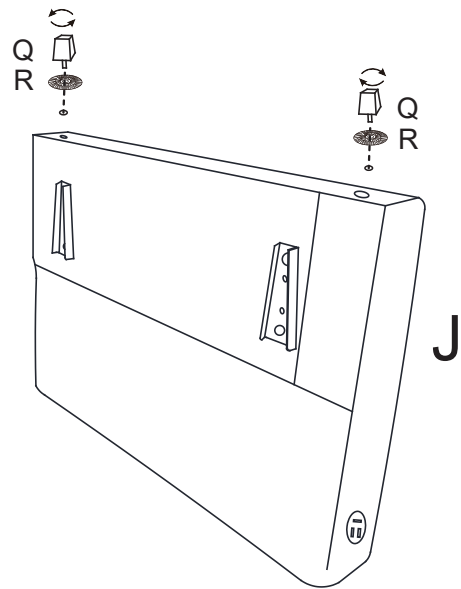
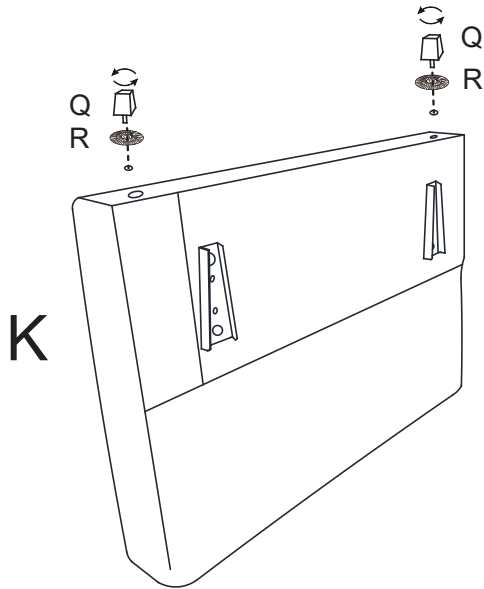
|   |   |
|---|---|
| <br>100% | <br>80%  |
|   | <br>100% |



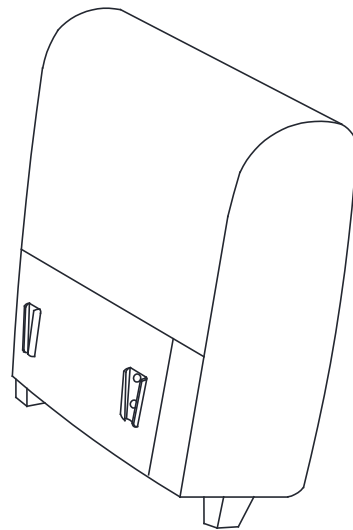
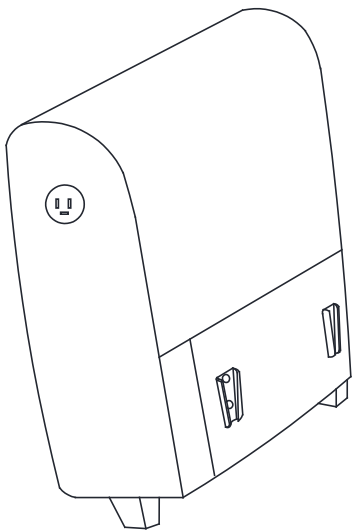
# BOX E

step 9:

|   |   |    |
|---|---|----|
| J |  | x1 |
| K |  | x1 |
| Q |  | x4 |
| R |  | x4 |

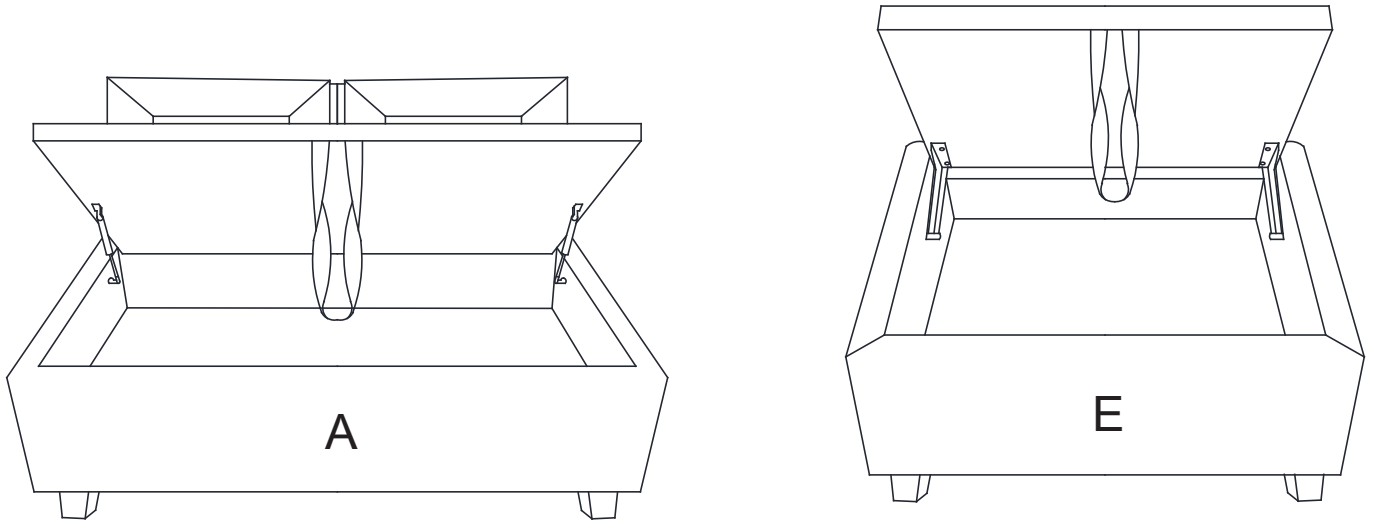


step 10:

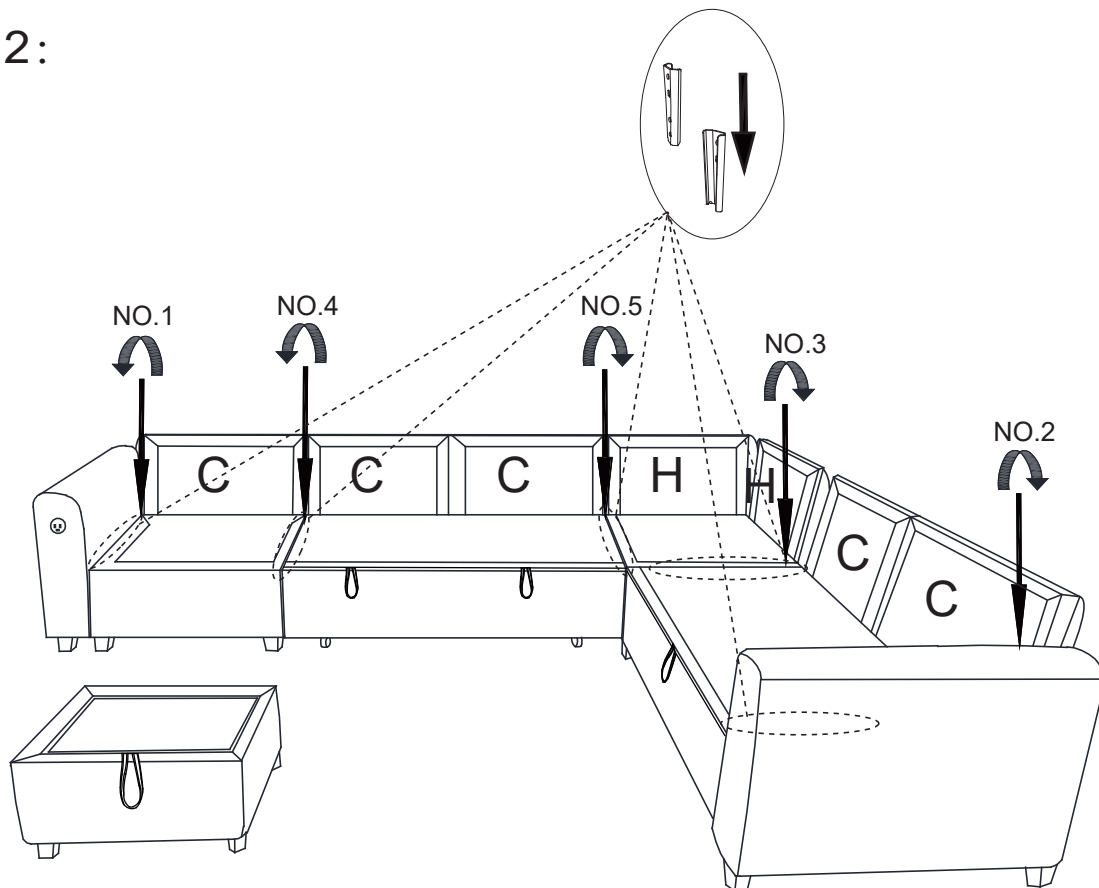


# Assembly Sequence

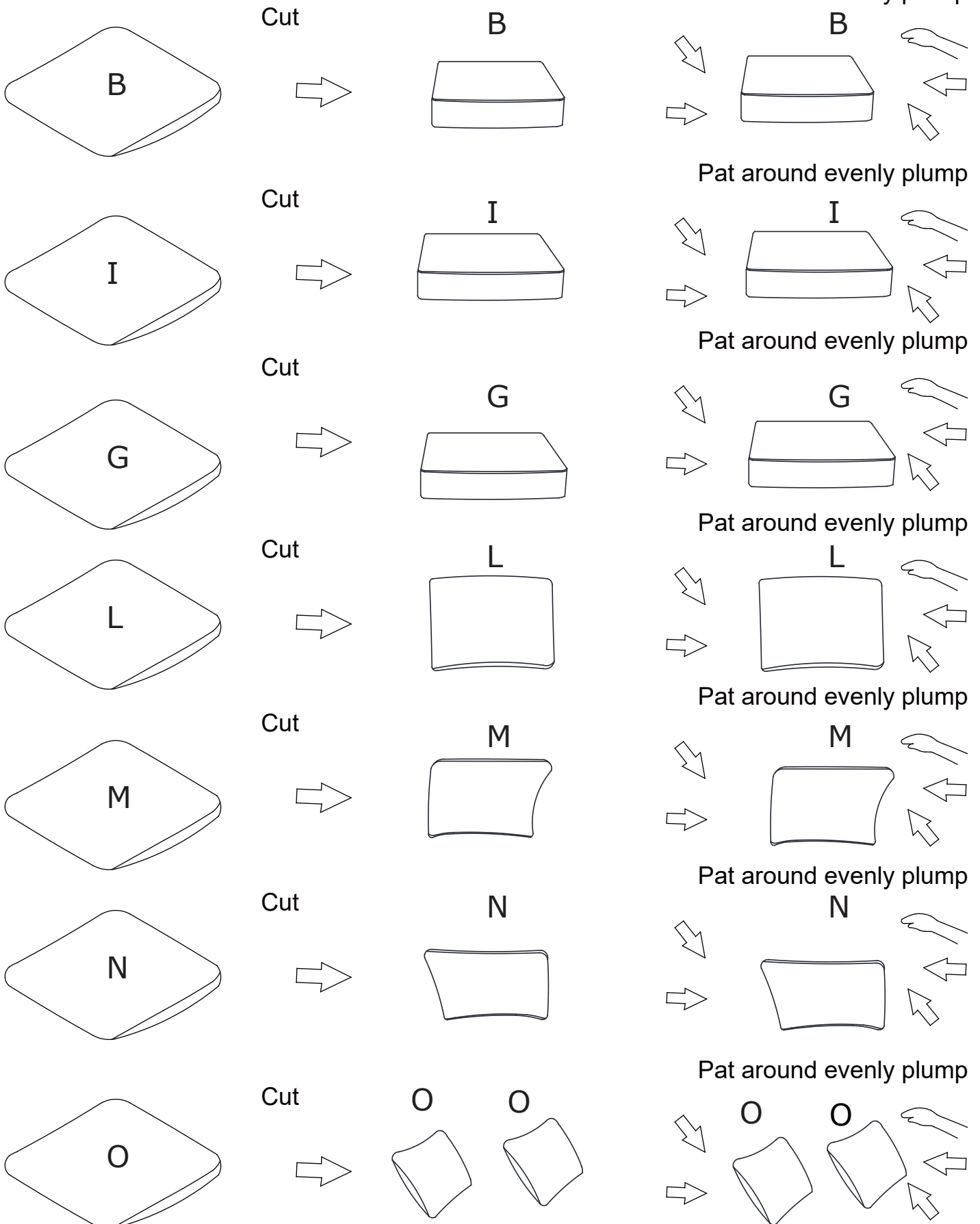
step 11:



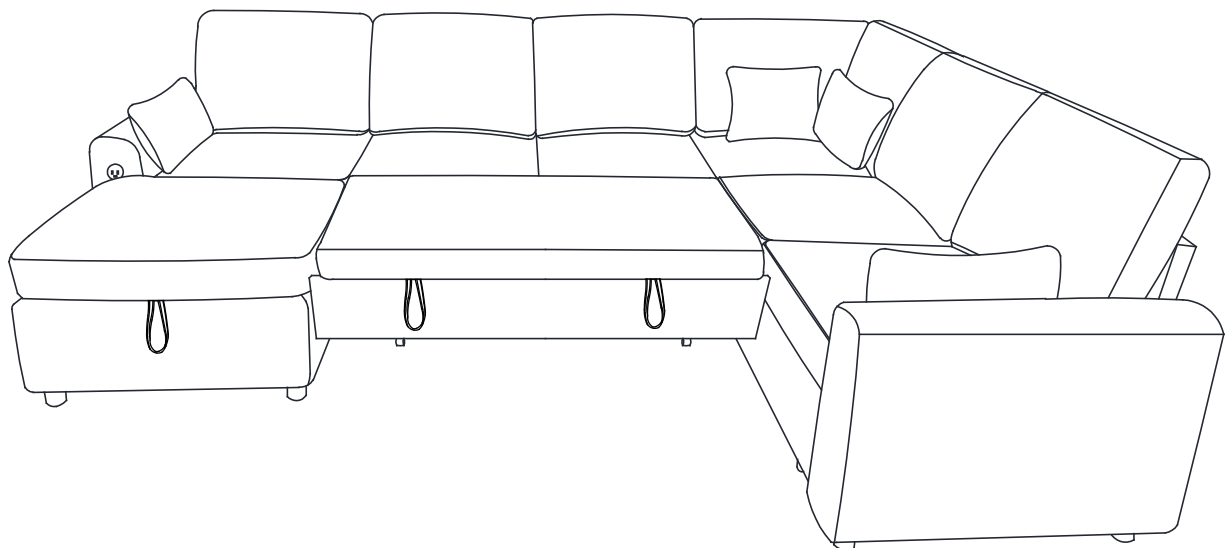
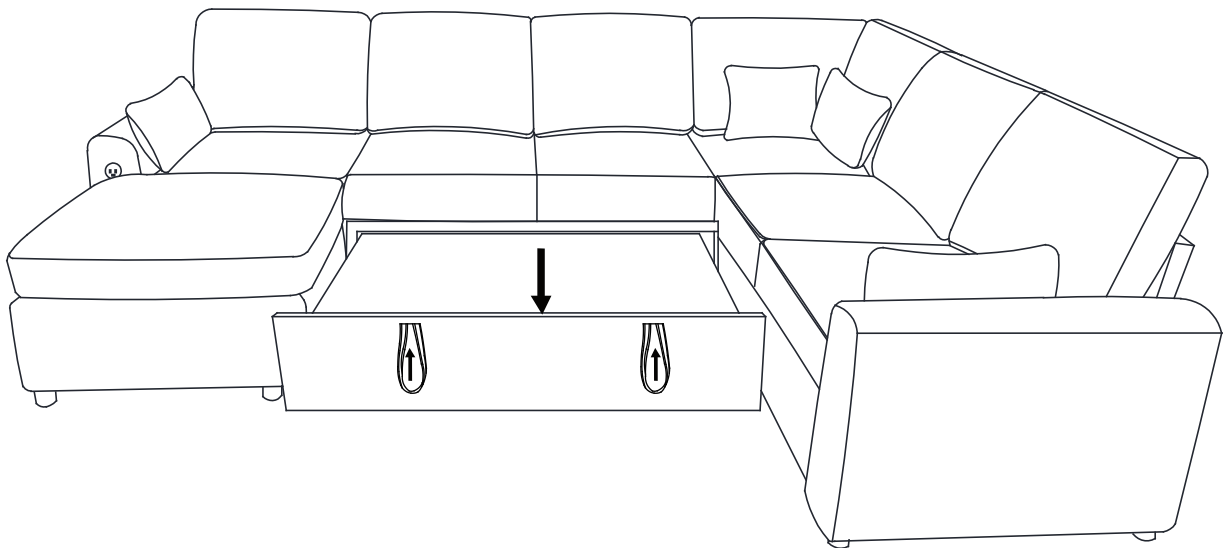
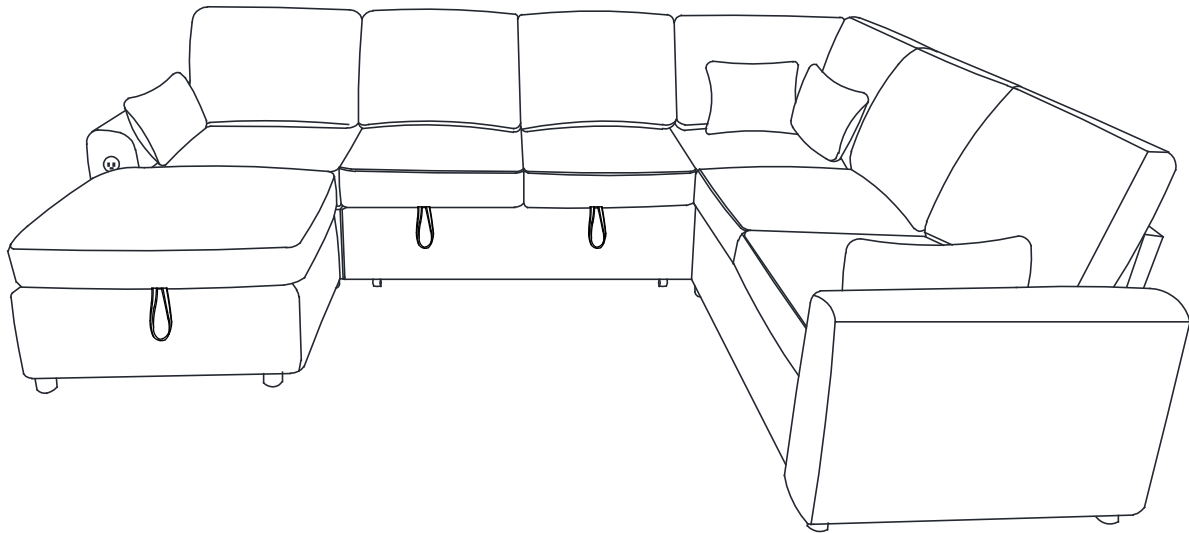
step 12:



**step 13:** The sofa is packaged in vacuum compression as a whole. Once the package is opened, gently pat it to help it regain its shape. After 72 hours of standing on the couch, most of the wrinkles should disappear.

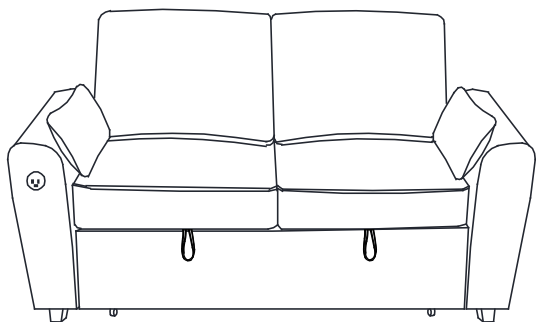


step 14:

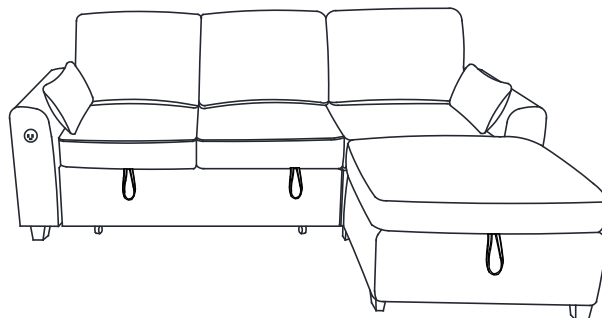


# **VARIANT CHAPTERS**

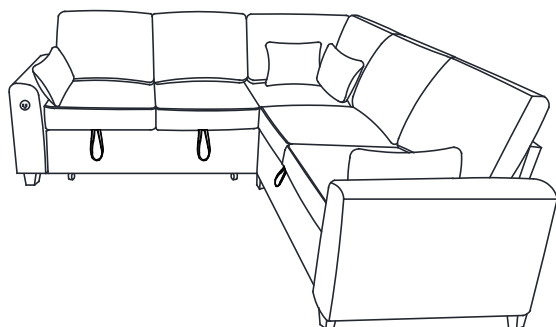
**2 Seat Sleeper**  
**Boxes: B+E**



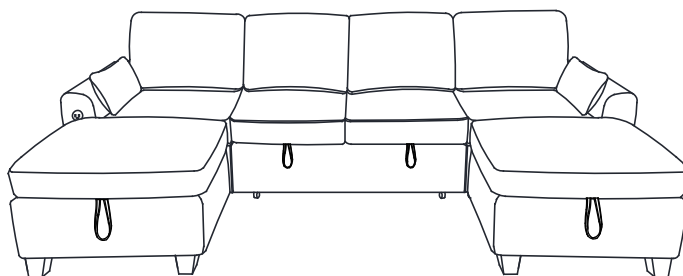
**3 Seat Sleeper**  
**Boxes: B+D+E**



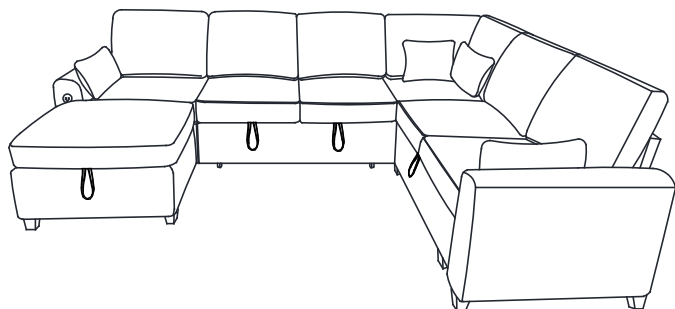
**5 Seat Sleeper**  
**Boxes: A+B+C+E**



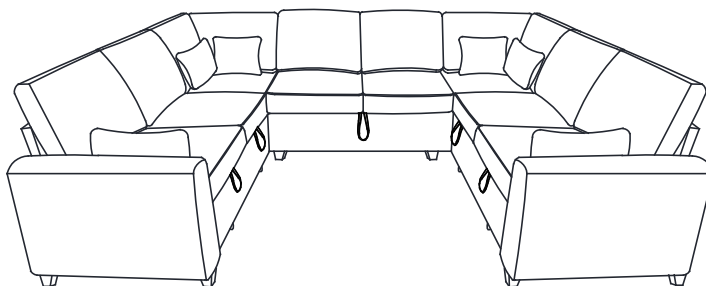
**6 Seat Sleeper**  
**Boxes: B+D+D+E**



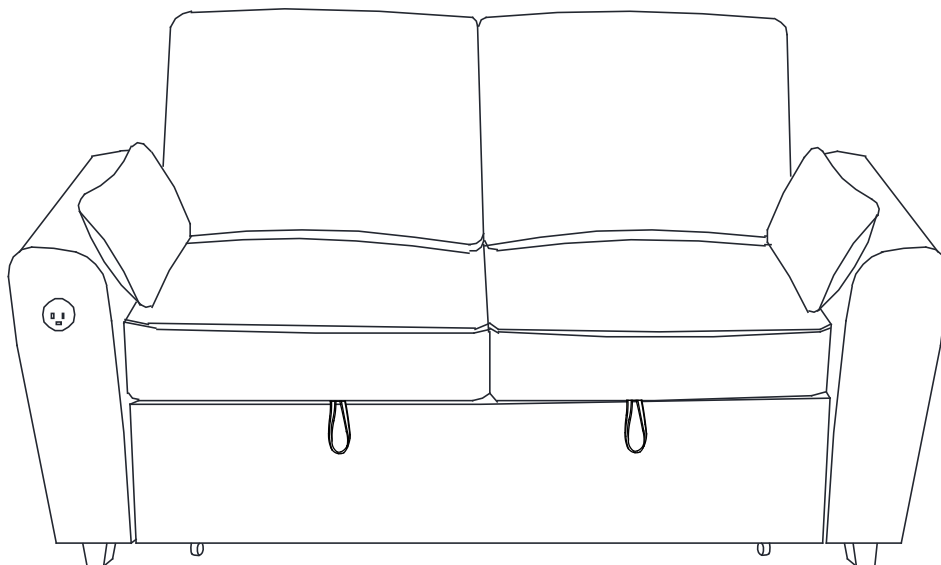
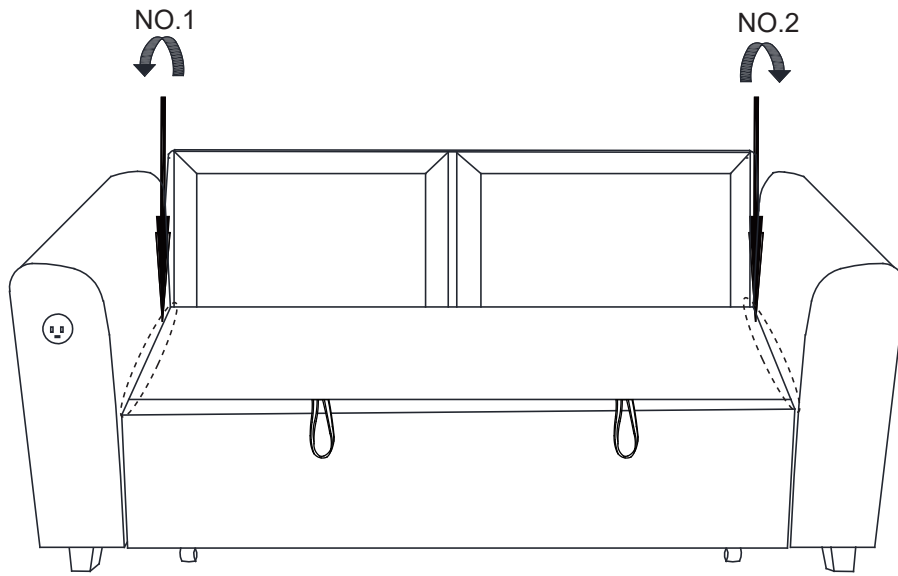
**7 Seat Sleeper**  
**Boxes: A+B+C+D+E**



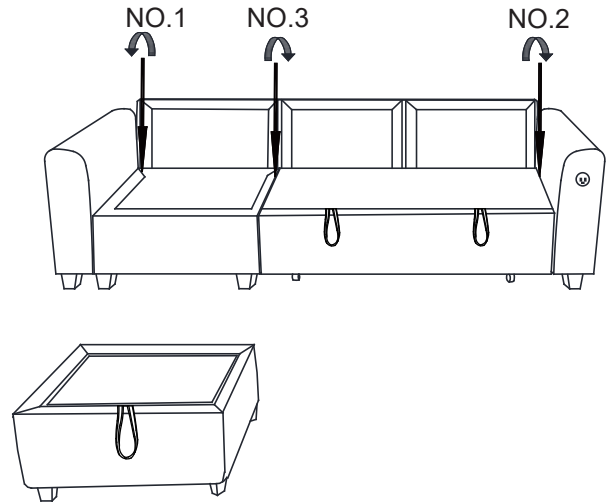
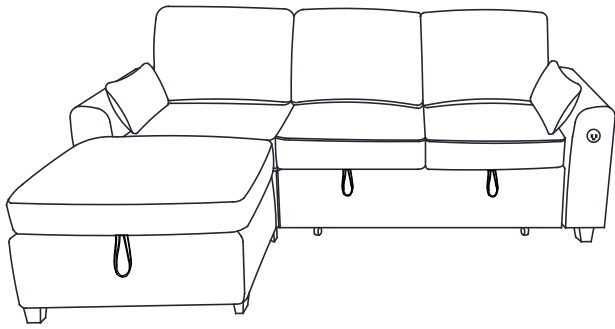
**8 Seat Sleeper**  
**Boxes: A+B+B+C+C+E**



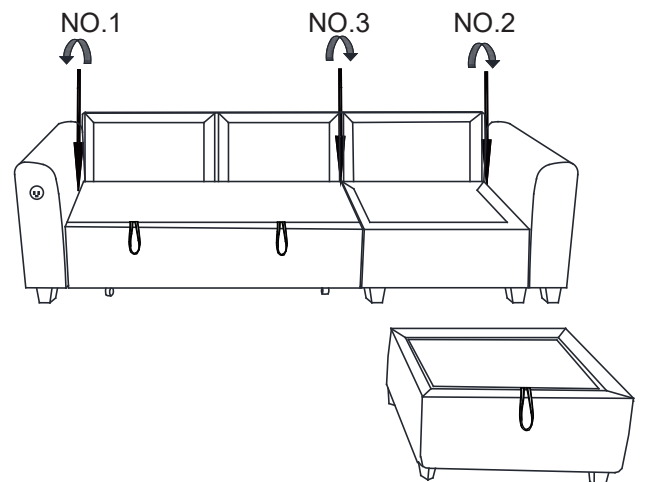
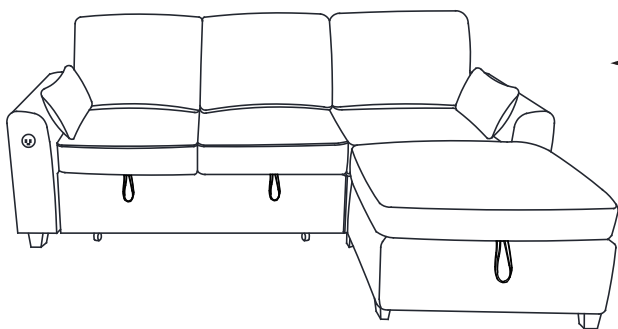
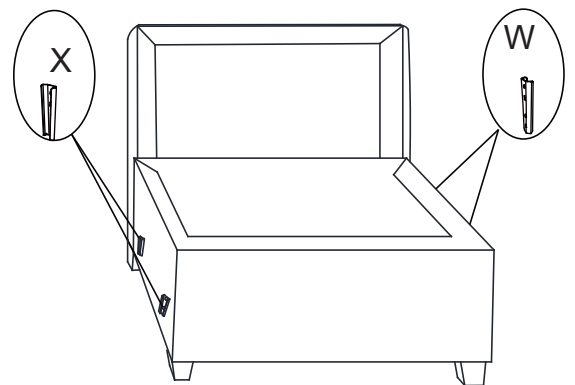
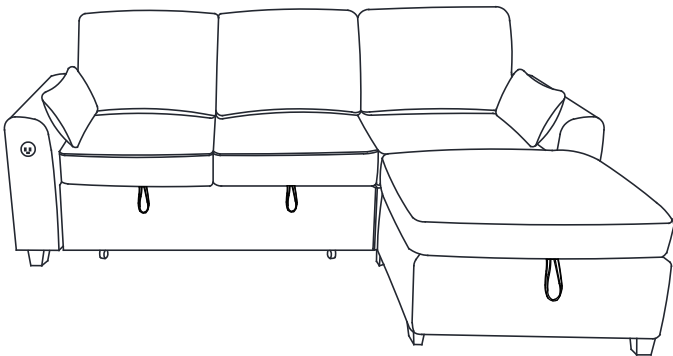
2 Seat Sleeper  
Boxes: B+E



# 3 Seat Sleeper Boxes: B+D+E

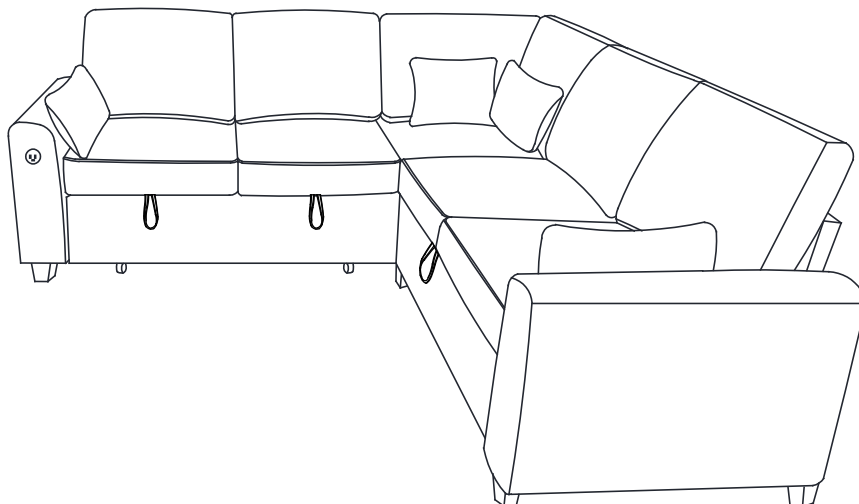
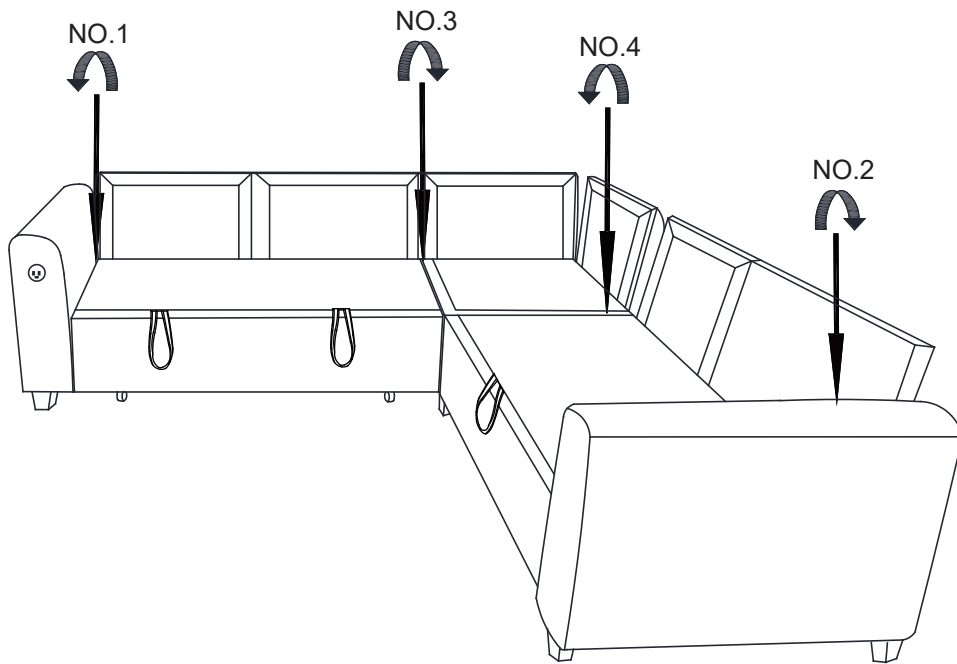
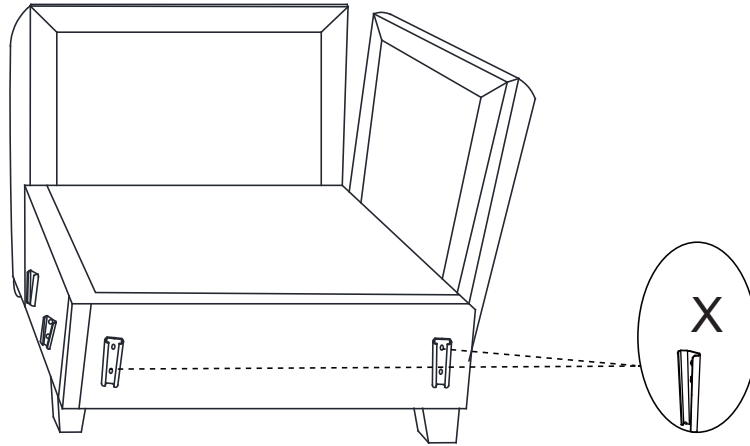


If you want to adjust the placement of the single seat and footrests, you can swap the connector tabs on the single seat to complete the installation.



# 5 Seat Sleeper Boxes:A+B+C+E

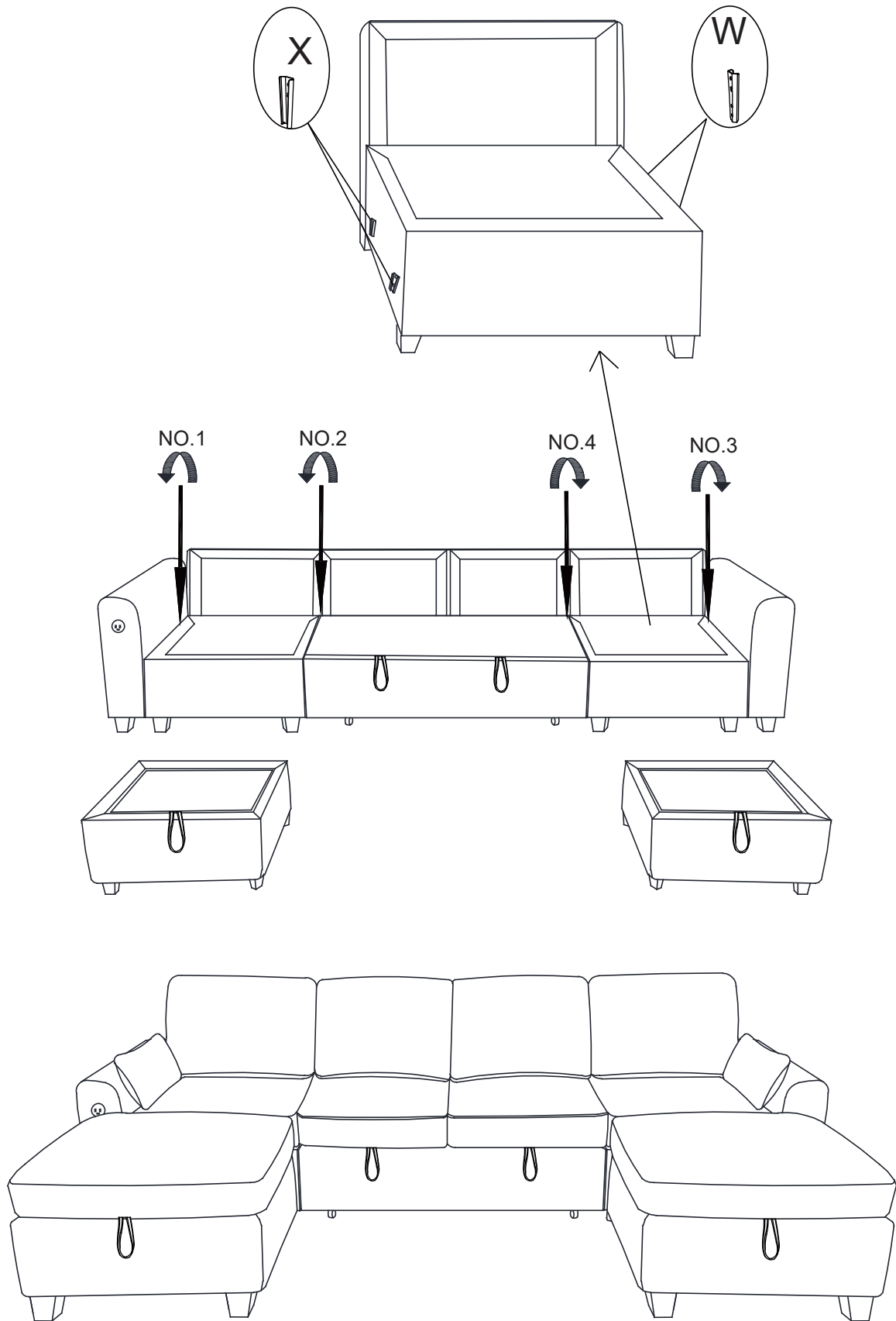
Replace the connector tabs on the corner seats shown in the diagram with Model X to complete the installation.



# 6 Seat Sleeper

Boxes: B+D+D+E

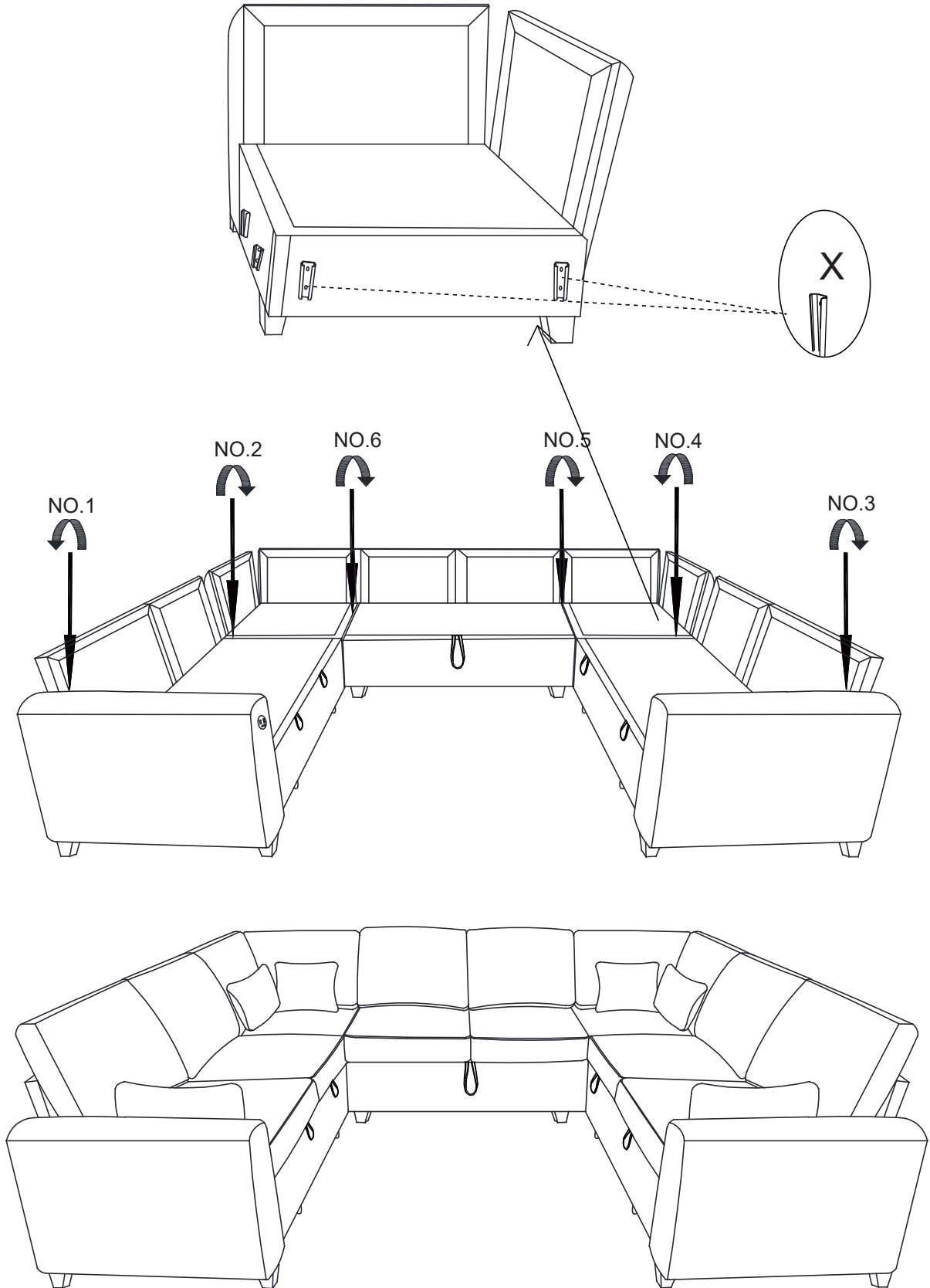
Swap the connector tabs on the single seat shown in the diagram to complete the installation.



# 8 Seat Sleeper

Boxes:A+B+B+C+C+E

Replace the connector tabs on the corner seats shown in the diagram with Model X to complete the installation.





# WARRANTY

1-year Warranty Program

For a period of one (1) years after date of purchase, the Manufacturer will either repair or replace defective components in accordance with this Limited Warranty, This warranty is between the Manufacturer and the original purchaser and is valid only when accompanied by the original purchaser's sales receipt showing original date of purchase

The manufacturer or its authorized dealer can accept or reject warranty claims based on its findings. This warranty applies in normal residential use only and is not intended for commercial use. The Manufacturer can make substitutions as required of materials, components, and sub-components of comparable value and utility. This warranty is limited to product repair or replacement (to be determined solely by the Manufacturer). Warranty return is limited to only the single affected component.

This limited warranty covers only manufacturing defects and does not cover normal wear and tear, damage due to acts of nature (such as, but not limited to freezing or high winds), abuse or misuse, including chemical damage from suntan oil or other chemicals, exposure to extreme heat or cold, abrasion or excessive weight. This product is intended to be used in standard installations only, This warranty is void if the product is not used for its intended purpose, The Manufacturer disclaims liability for any aspect of installation and any inconvenience caused by a defective part of a component

## **Certain items are not covered by this warranty. These include, but are not limited to the following:**

1. Components subjected to abuse, including abuse intended to simulate failure
2. Damages caused by retailer, shipper or installation error (such as scratches, dents, tears, chips, etc.
3. Any part that only shows normal wear and tear on the surface, including debris, scratches, or material stretching and stitching.
4. Tears, punctures, scratches or any damage caused by improper installation or use.

## **General care & maintenance**

Only clean using a damp cloth and mild detergent, do not use bleach or abrasive cleaners.

**\* If you need after-sales service, please provide the original purchase record and a brief description of the problem. Please also provide your email address or mobile number**