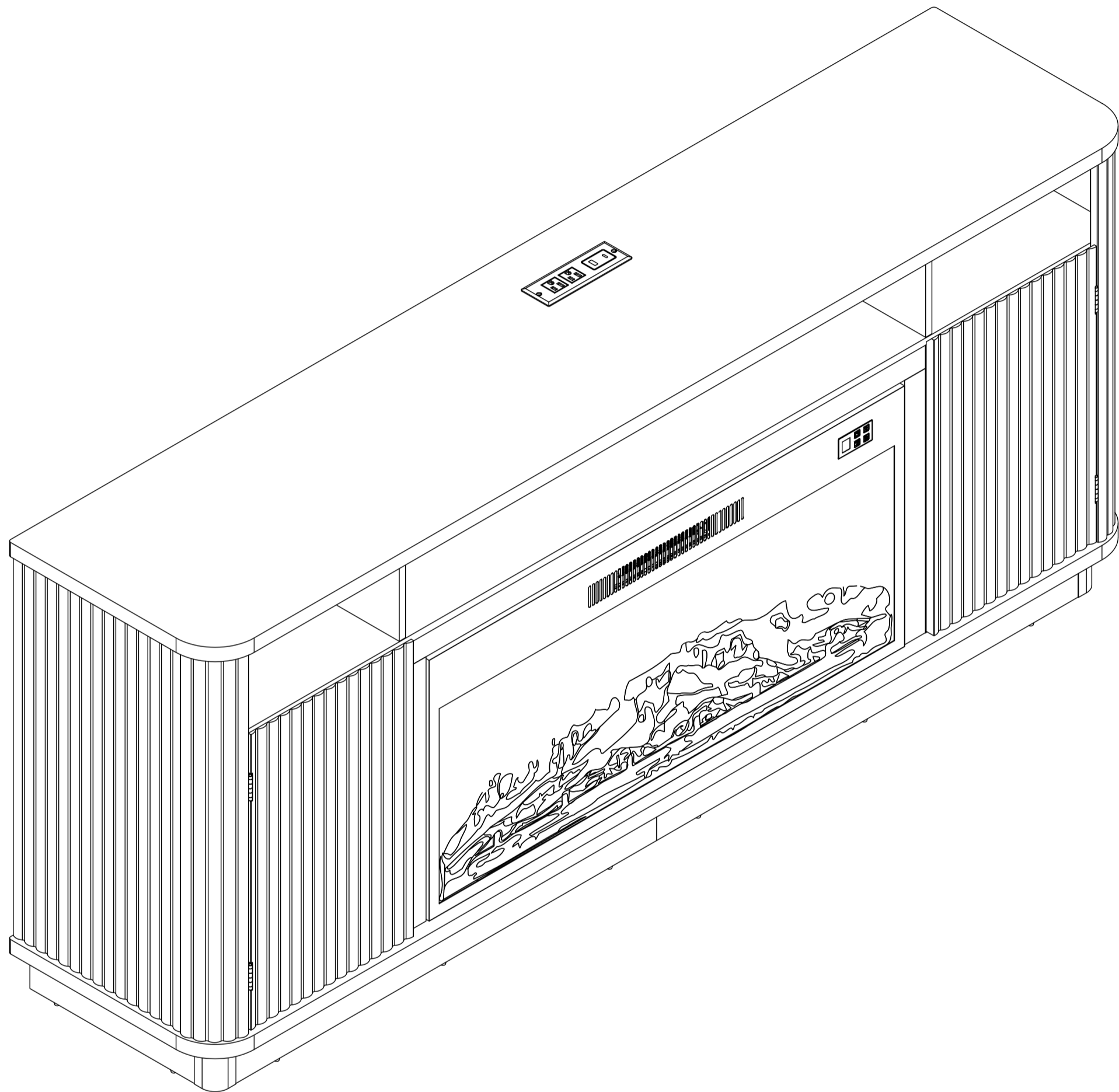


ASSEMBLY INSTRUCTIONS



⚠ SAFETY TIPS:

Static charge may cause dust on foam-clean with a dry or damp cloth. Small foam strands may be present-handle gently and dispose of properly. Do not burn or incinerate. Check local recycling guideline.

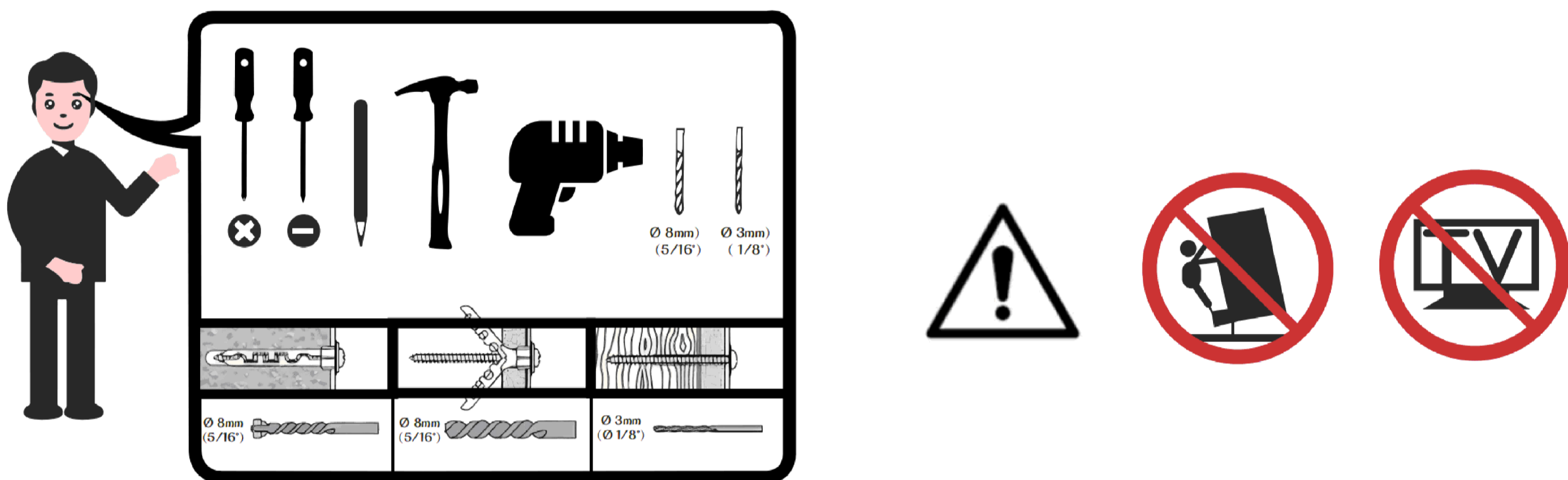
Have an assembly question or need a replacement part?
Please contact with our customer service.

Warnings

Important reminder:

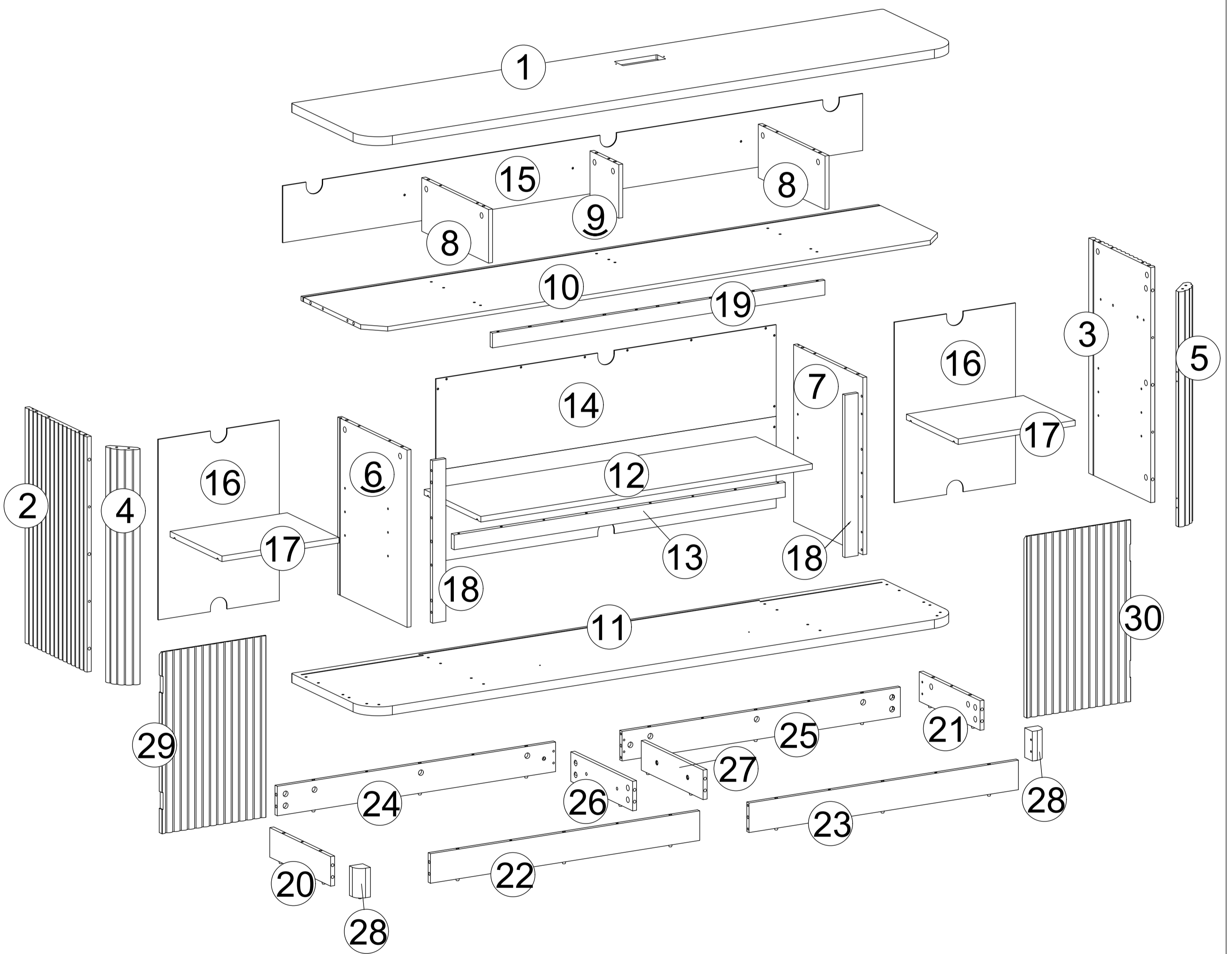
- ⚠ Please sort and check all accessories before assembly.
- ⚠ Place the product on an empty cardboard box or on carpet to prevent scratches.
- ⚠ Please use proper tools for assembly. Using an electric screwdriver can accelerate the assembly speed, but please do not overtighten the screws.
- ⚠ Please follow the assembly steps and do not skip any of them.
- ⚠ If possible, please find a partner to help you with assembly, which can accelerate assembly.
- ⚠ Keep all small parts of this product away from children. They may cause serious injury.
- ⚠ We hope you can retighten the screws 2 weeks after assembly, and check the tightening procedure of the screws every 3 months.

If you meet any difficulty, our friendly customer team are always ready to help you.

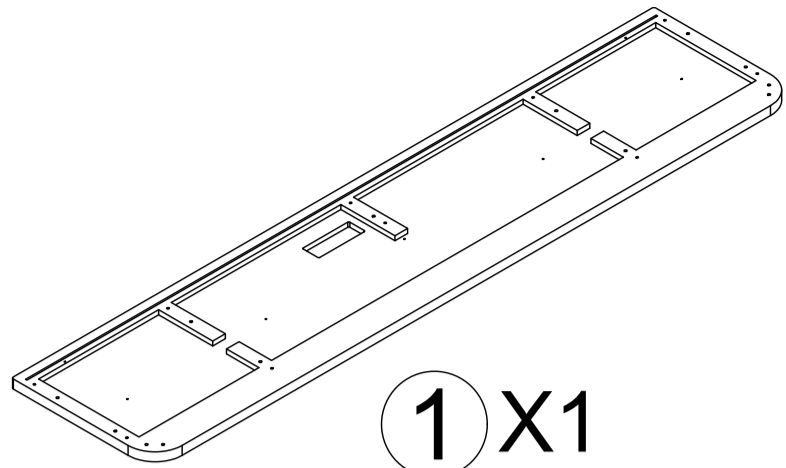
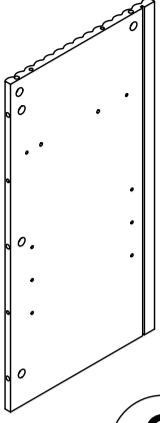
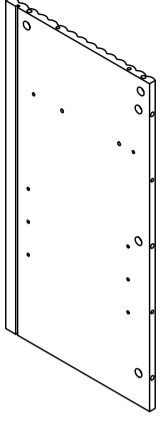

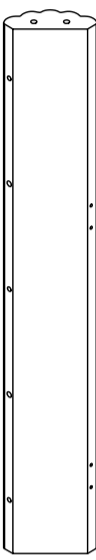
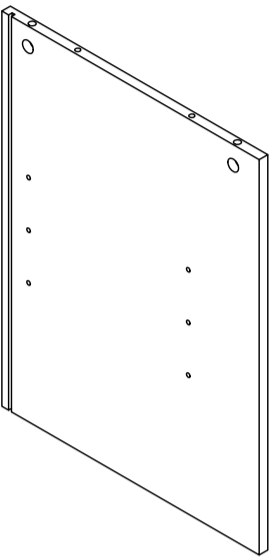
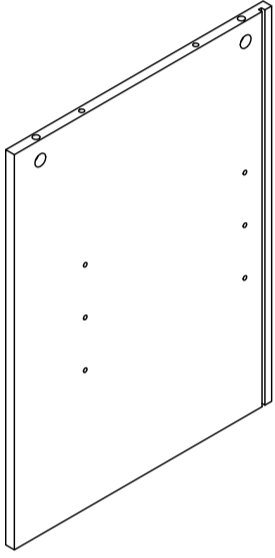
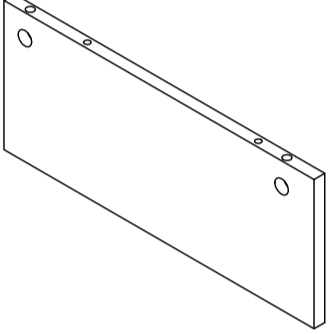
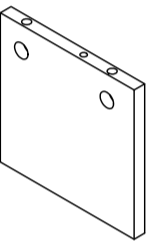
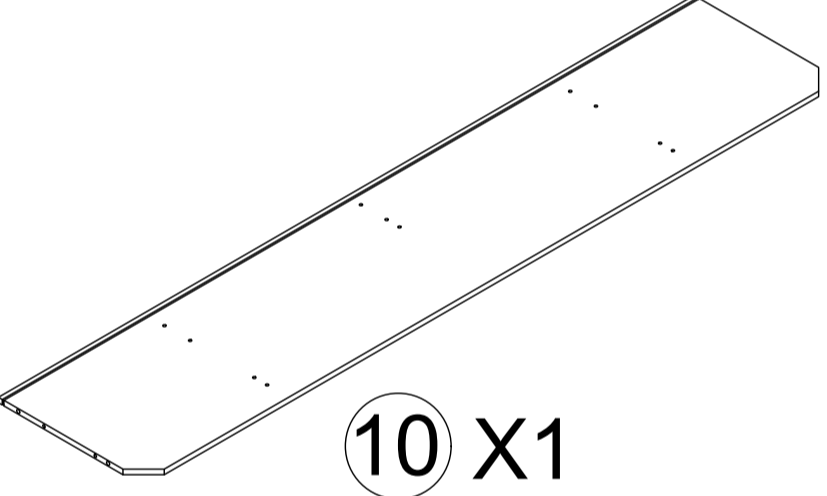
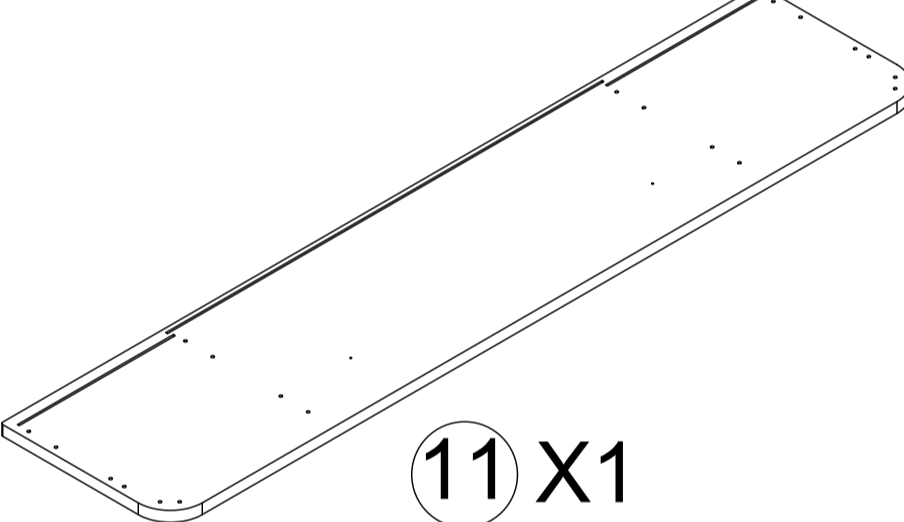
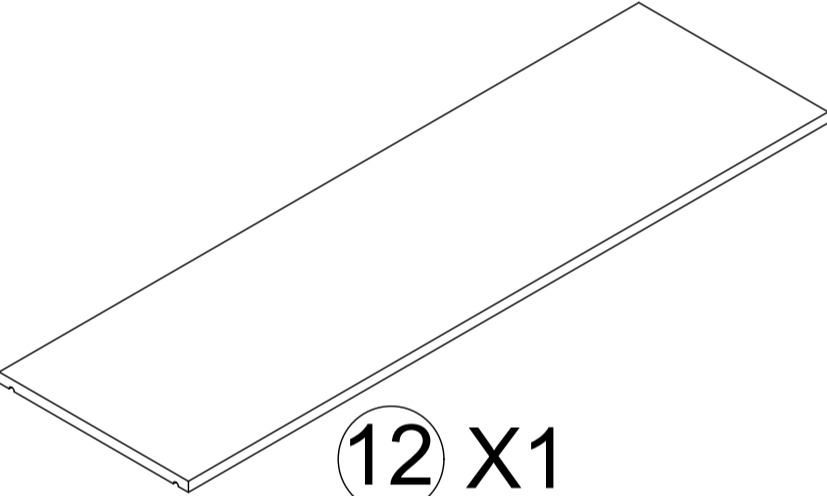
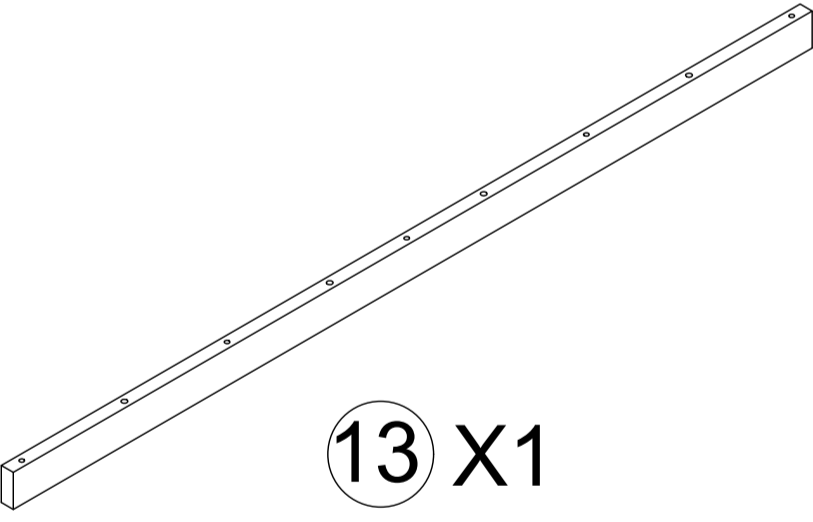
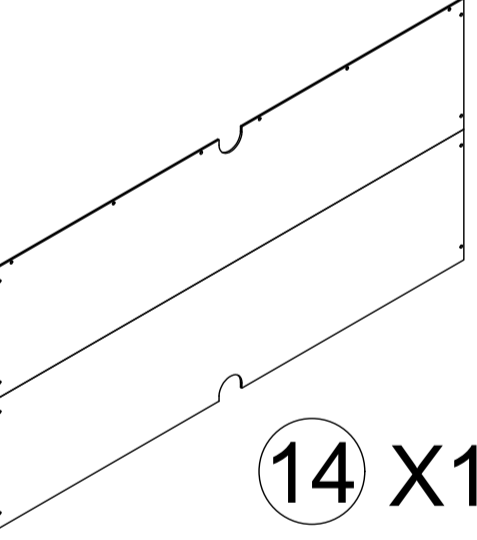
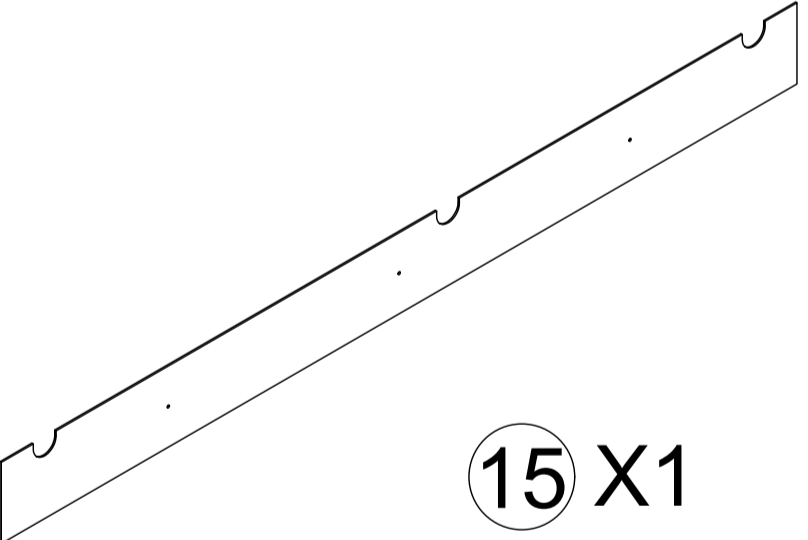
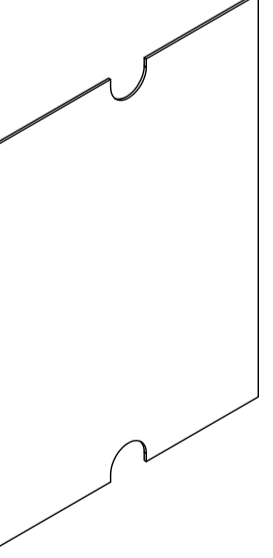
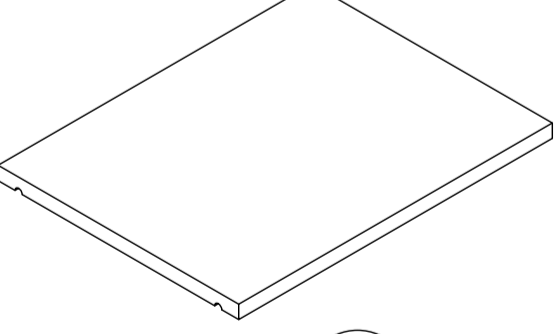

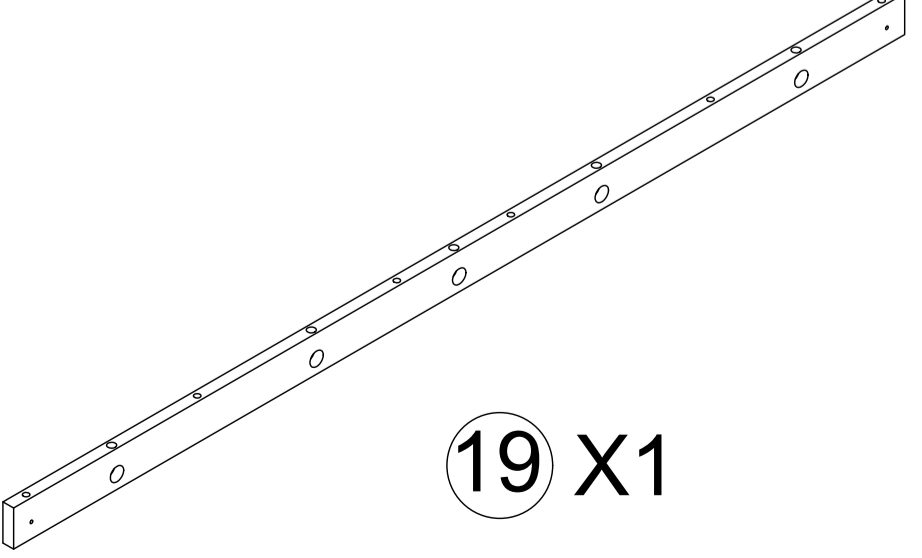
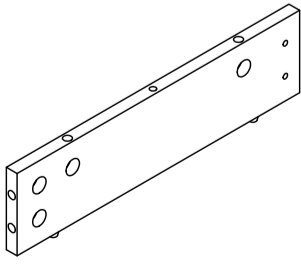
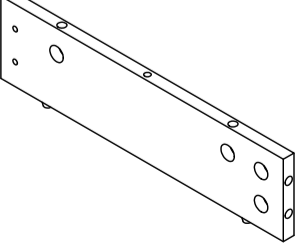


Warning: Overturning the product can cause serious crushing injuries. We have a wall connection device attached, please use it to hold the furniture following assembly instructions. Do not change the structure of this product in any way. Our products have been tested and meet any 1 sales specific security measures. We won't be responsible for any modifications, which may cause significant security risks.

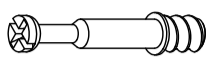
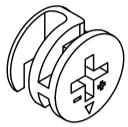
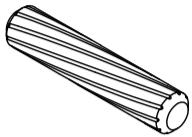
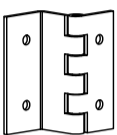
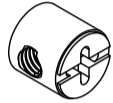
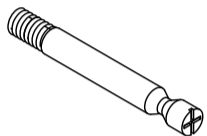
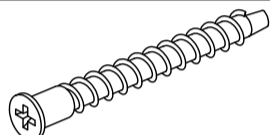
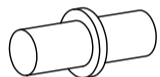
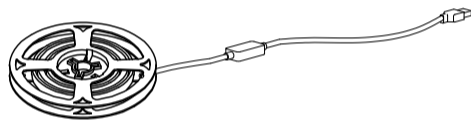

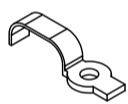
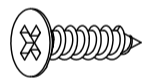
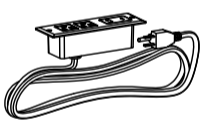
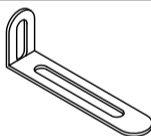
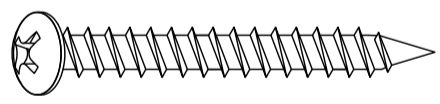
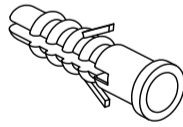
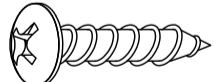
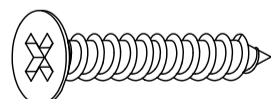
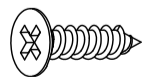
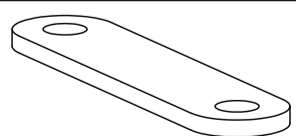
Explosion Diagram



Parts List

 <p>① X1</p>	 <p>② X1</p>	 <p>③ X1</p>
 <p>④ X1</p>	 <p>⑤ X1</p>	 <p>⑥ X1</p>
 <p>⑦ X1</p>	 <p>⑧ X2</p>	 <p>⑨ X1</p>
 <p>⑩ X1</p>	 <p>⑪ X1</p>	 <p>⑫ X1</p>
 <p>⑬ X1</p>	 <p>⑭ X1</p>	 <p>⑮ X1</p>
 <p>⑯ X2</p>	 <p>⑰ X2</p>	 <p>⑱ X2</p>
 <p>⑲ X1</p>	 <p>⑳ X1</p>	 <p>㉑ X1</p>

Hardware List

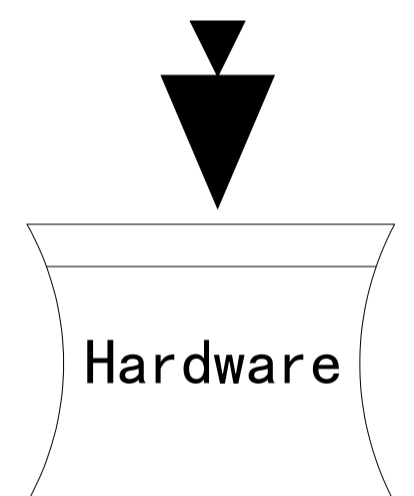
No.	Code	Diagram	Description	Quantity	Spare
1	A		Ø6 x 33.5 mm	71	2
2	B		Ø15 x 9 mm	73	2
3	C		Ø6 x 30 mm	66	2
4	D			4	
5	E		Ø10 x 9 mm	2	
6	F		Ø7 x 62 mm	2	
7	G		Ø5 x 38 mm	18	2
8	H		Ø5 x 15 mm	12	2
9	GG			1	
10	K		Ø3 x 12 mm	5	
11	L			5	
12	M		Ø3.5 x 12 mm	18	2
13	N			1	
14	P			4	
15	Q		Ø4 x 35 mm	2	
16	R			2	
17	S		Ø4 x 12 mm	2	
18	T		Ø4 x 38 mm	5	
19	U		Ø3 x 14 mm	18	2
20	V			4	

THE SPARE BAG INCLUDED EXTRA HARDWARE FOR DAMAGED OR MISSING SMALL HARDWARE WHILE YOU ARE ASSEMBLING

Hardware List

No.	Code	Diagram	Description	Quantity	Spare
21	W			2	
22	J		Ø3 x 17 mm	4	
23	X			24	2
24	Y		Ø3 x 17 mm	24	2
25	Z		Ø25	73	2
26	AA		Ø3 x 12 mm	17	2
27	BB		Ø6 x 40 mm	4	
28	CC		M6 x 20 mm	2	
29	DD		S4	1	

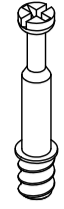
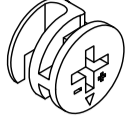
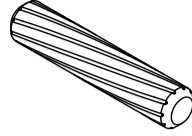
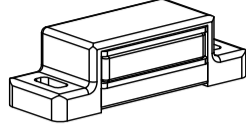
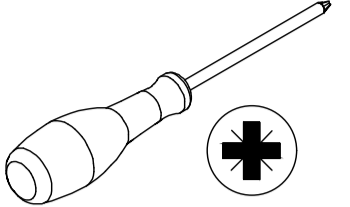

Spare parts
are packed
together in
one package.

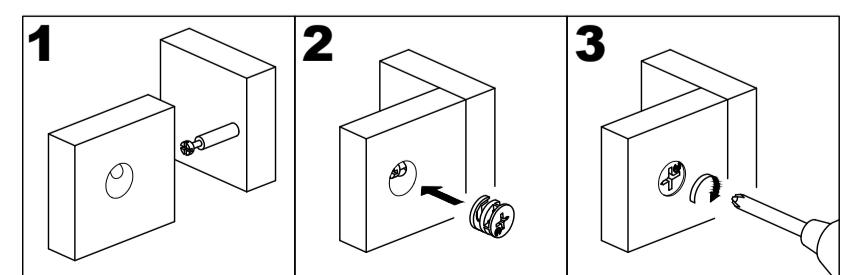
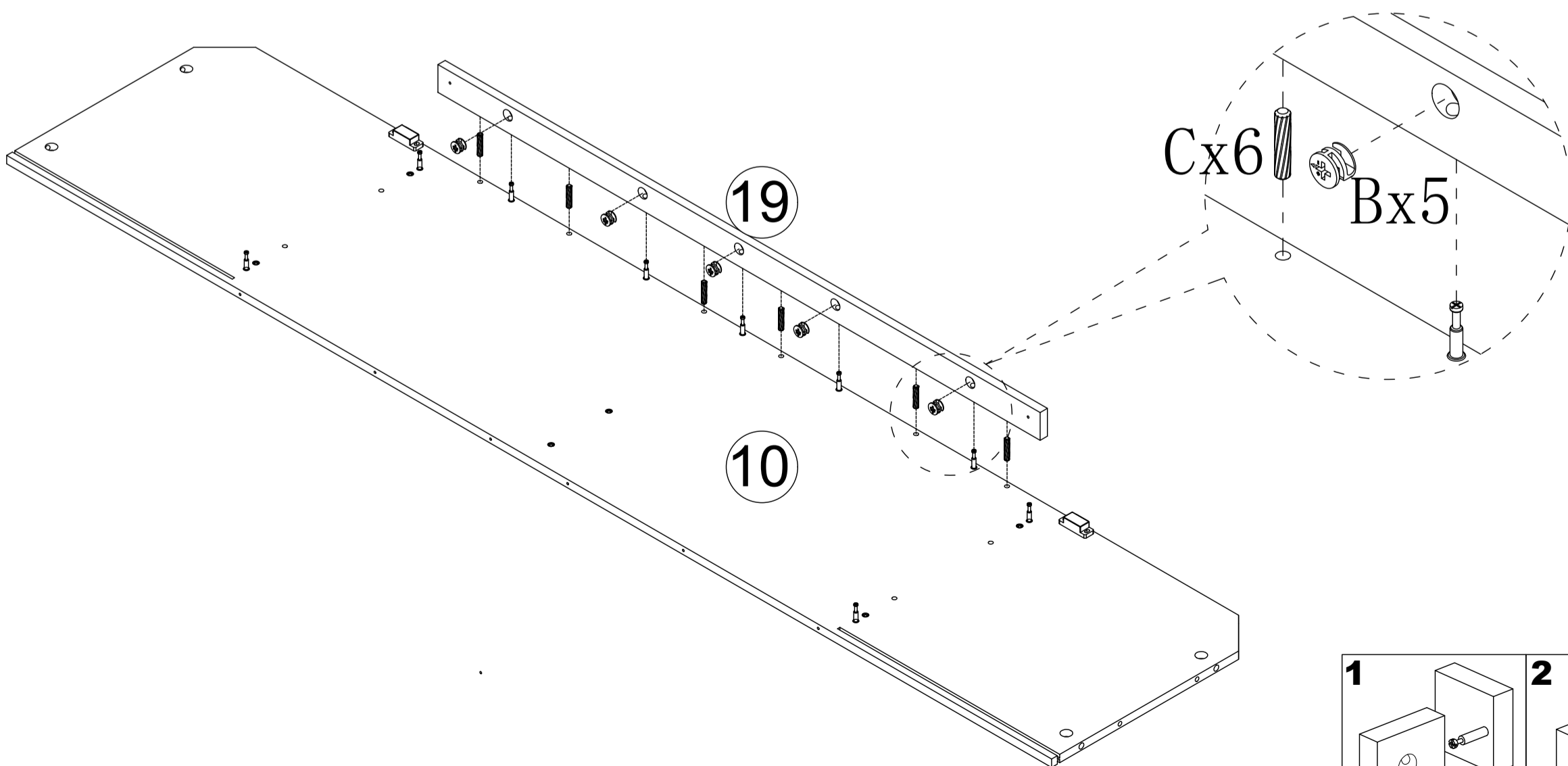
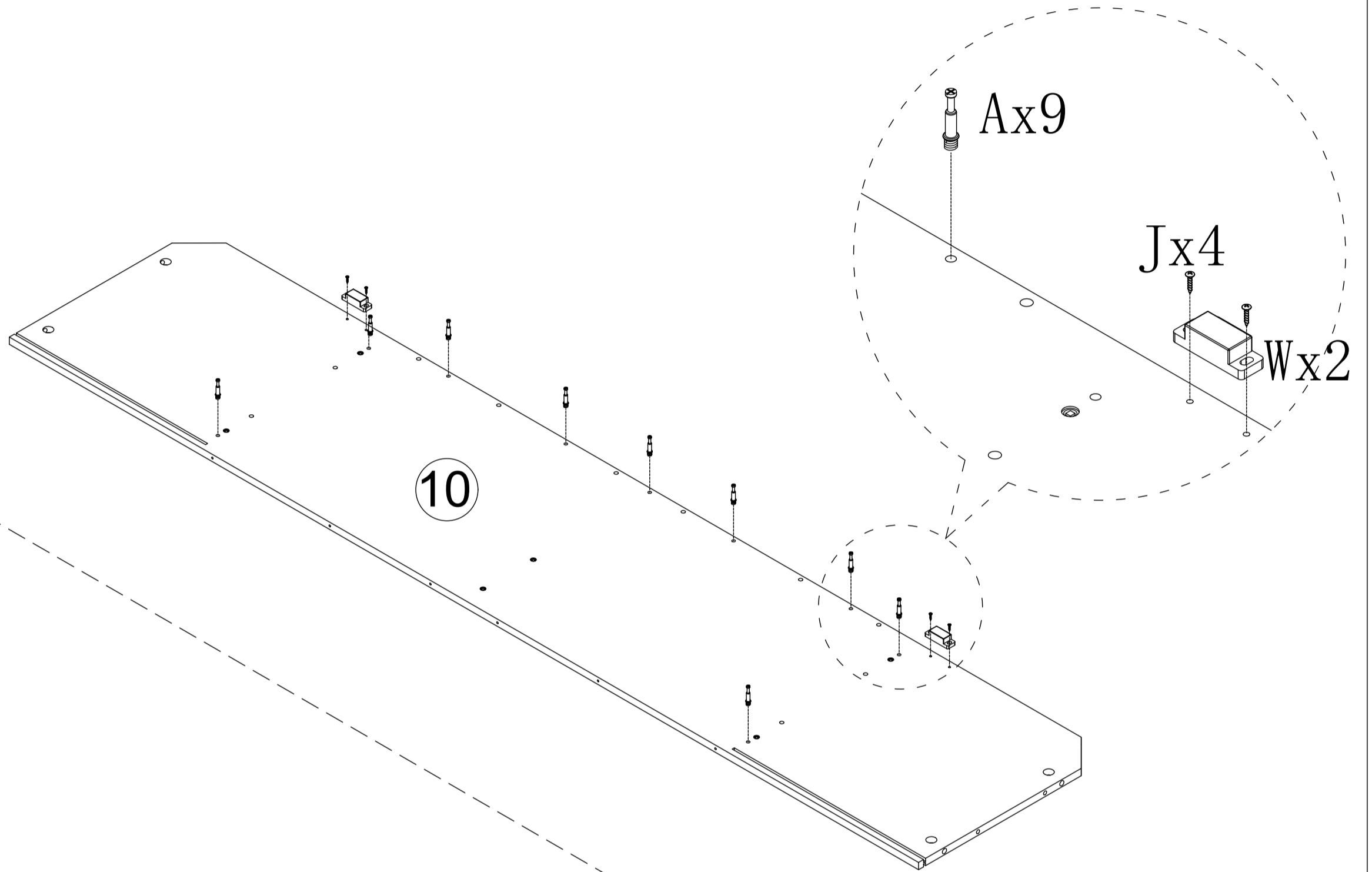
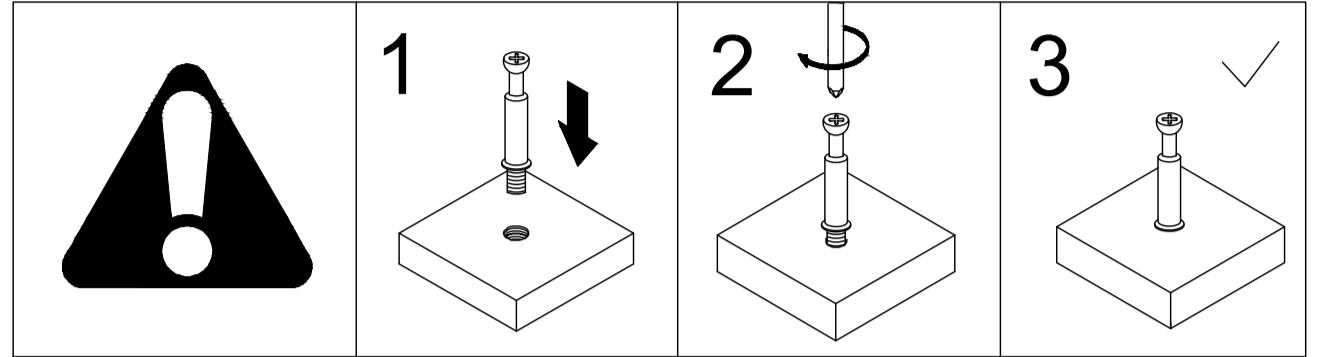


THE SPARE BAG INCLUDED EXTRA HARDWARE FOR DAMAGED OR MISSING SMALL HARDWARE WHILE YOU ARE ASSEMBLING

Assemble

Step 1

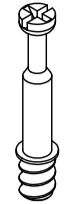

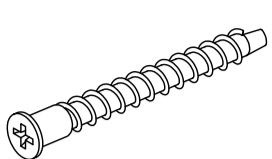
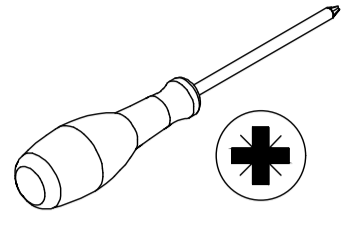
									
A	9PCS	B	5PCS	C	6PCS	W	2PCS		
									
J	4PCS								

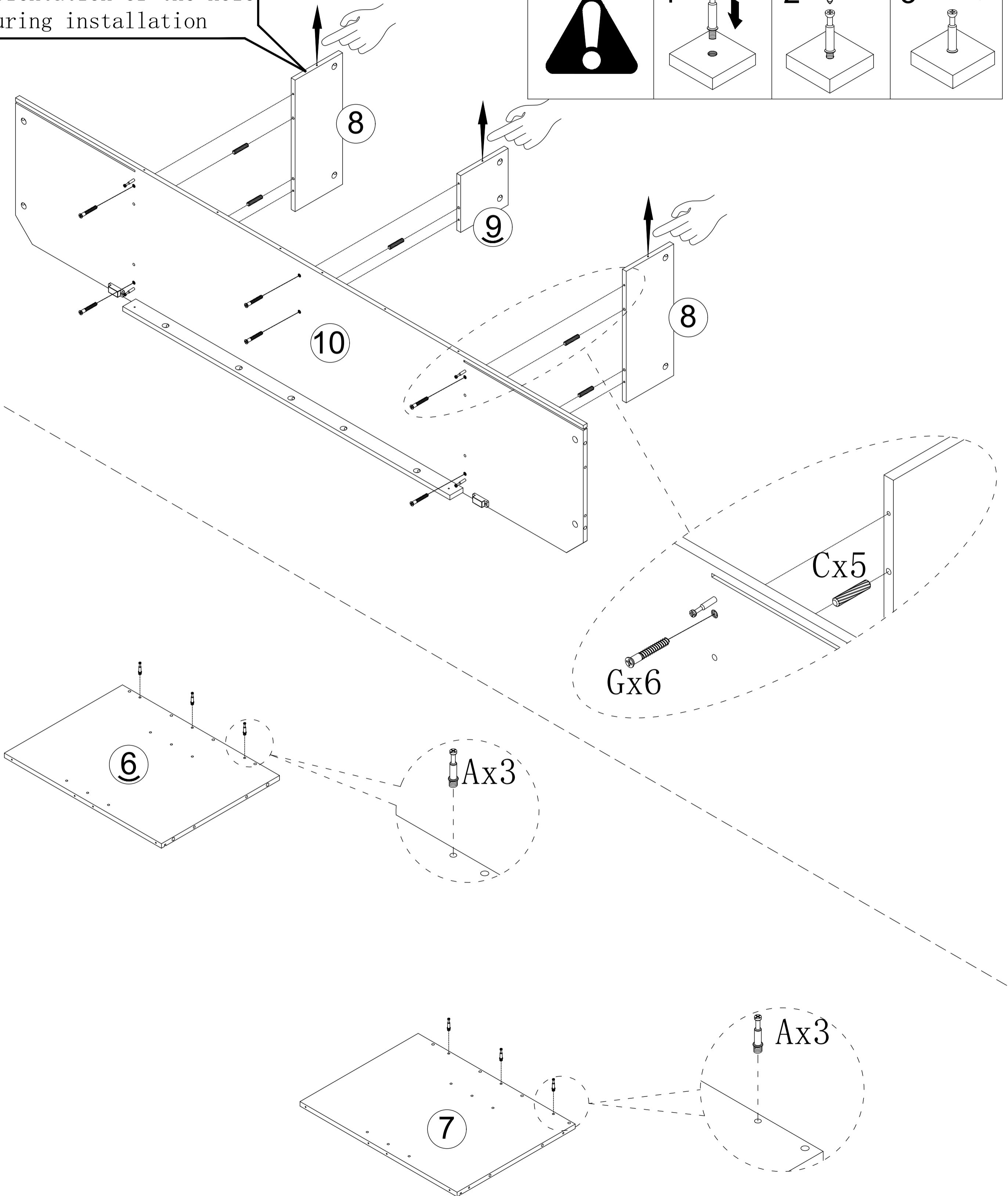
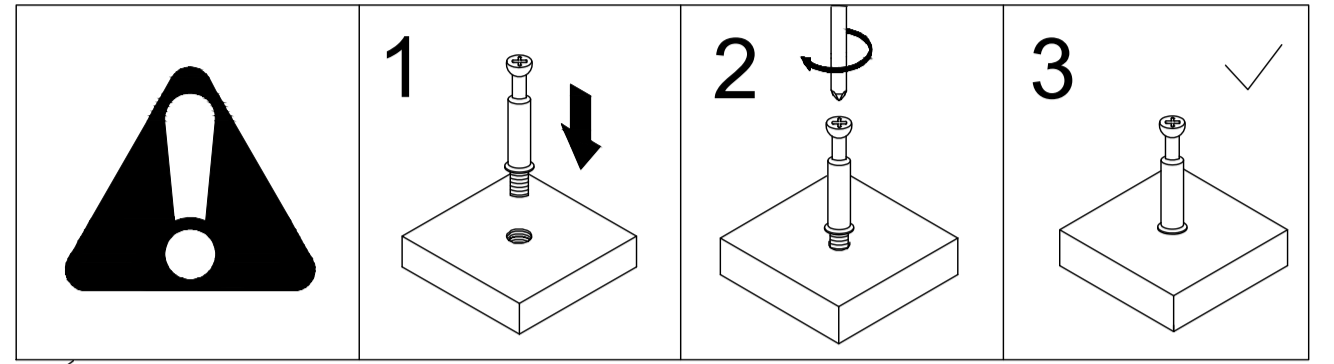


Assemble

Step 2

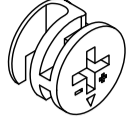
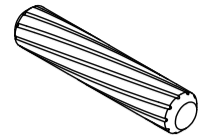
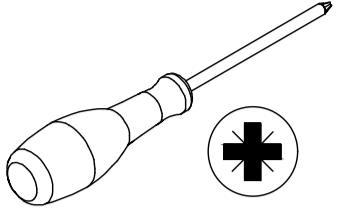
Pay attention to the orientation of the hole during installation

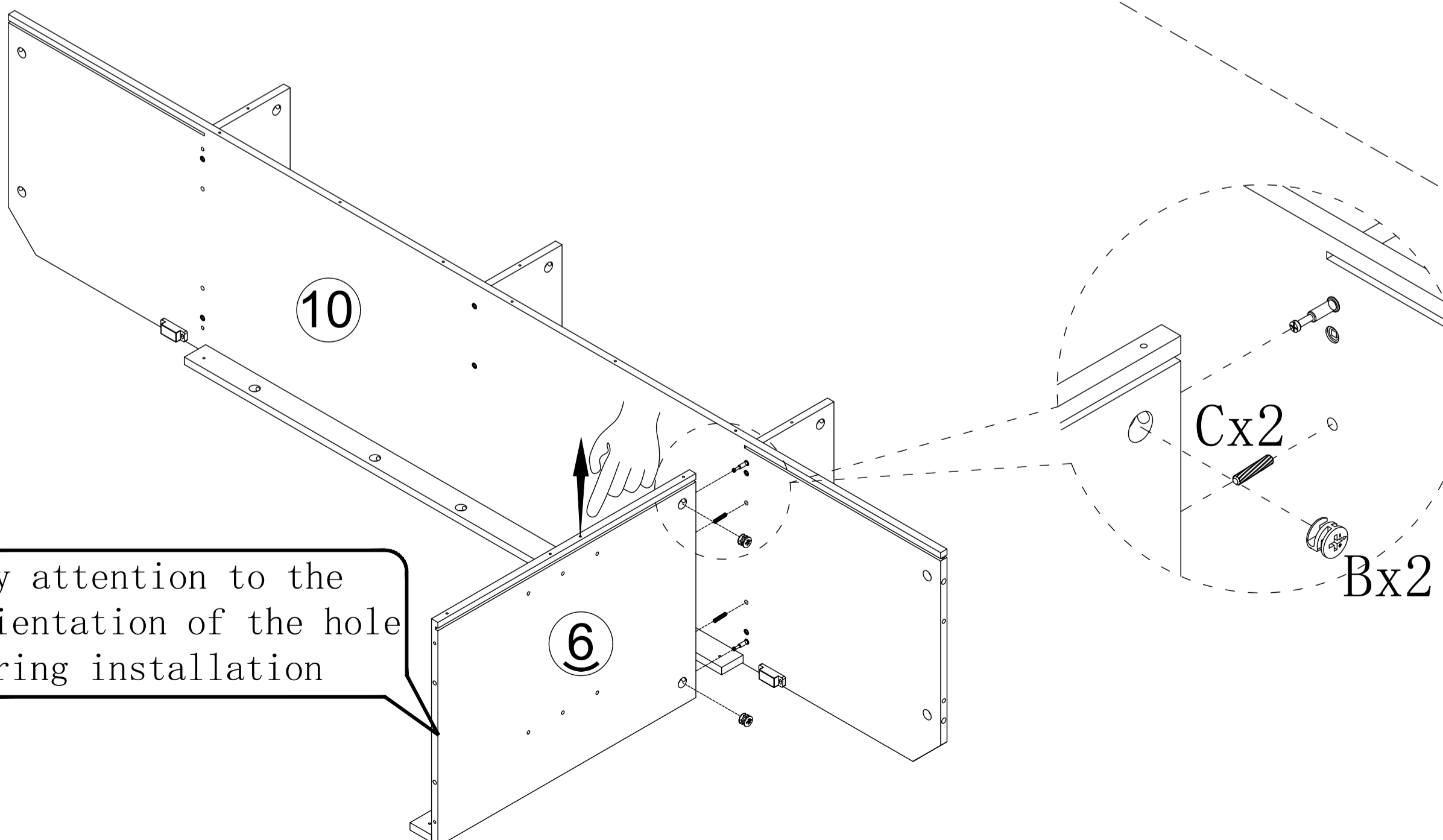
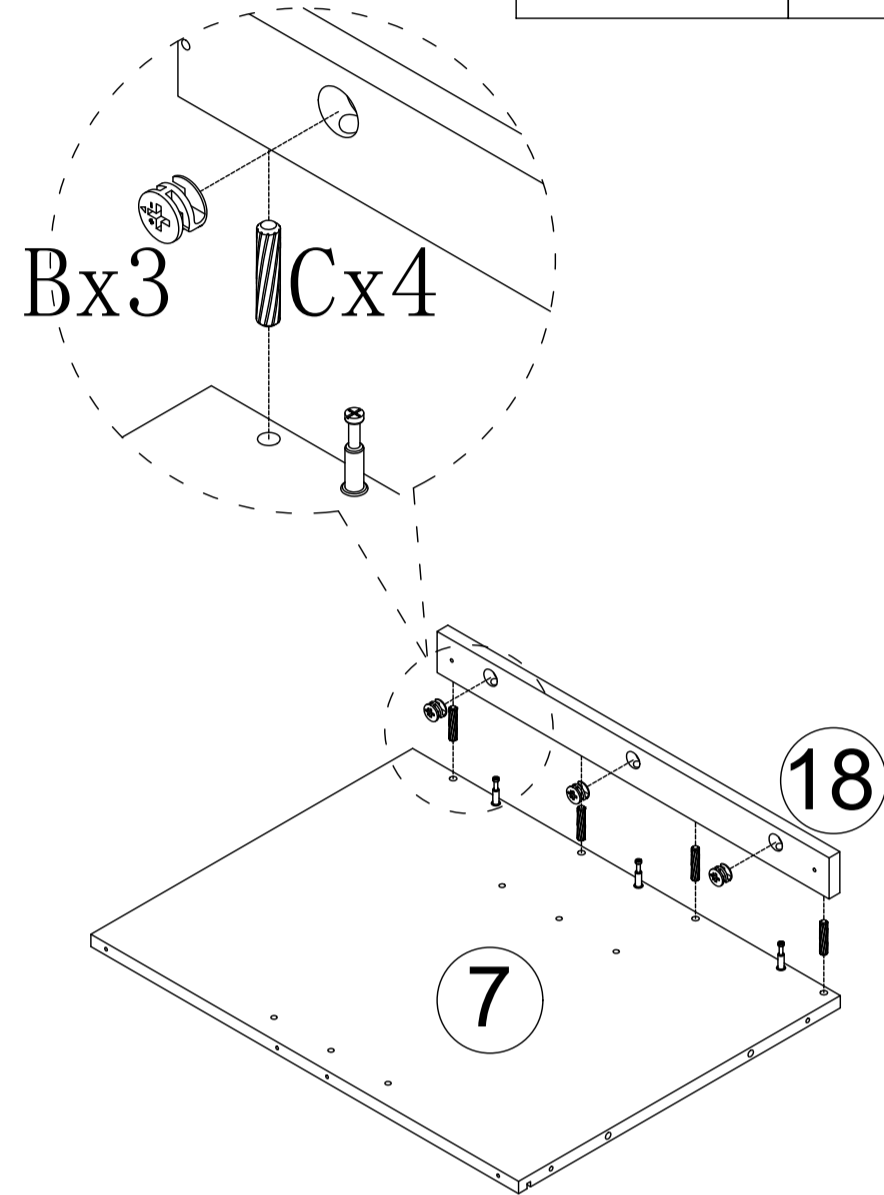
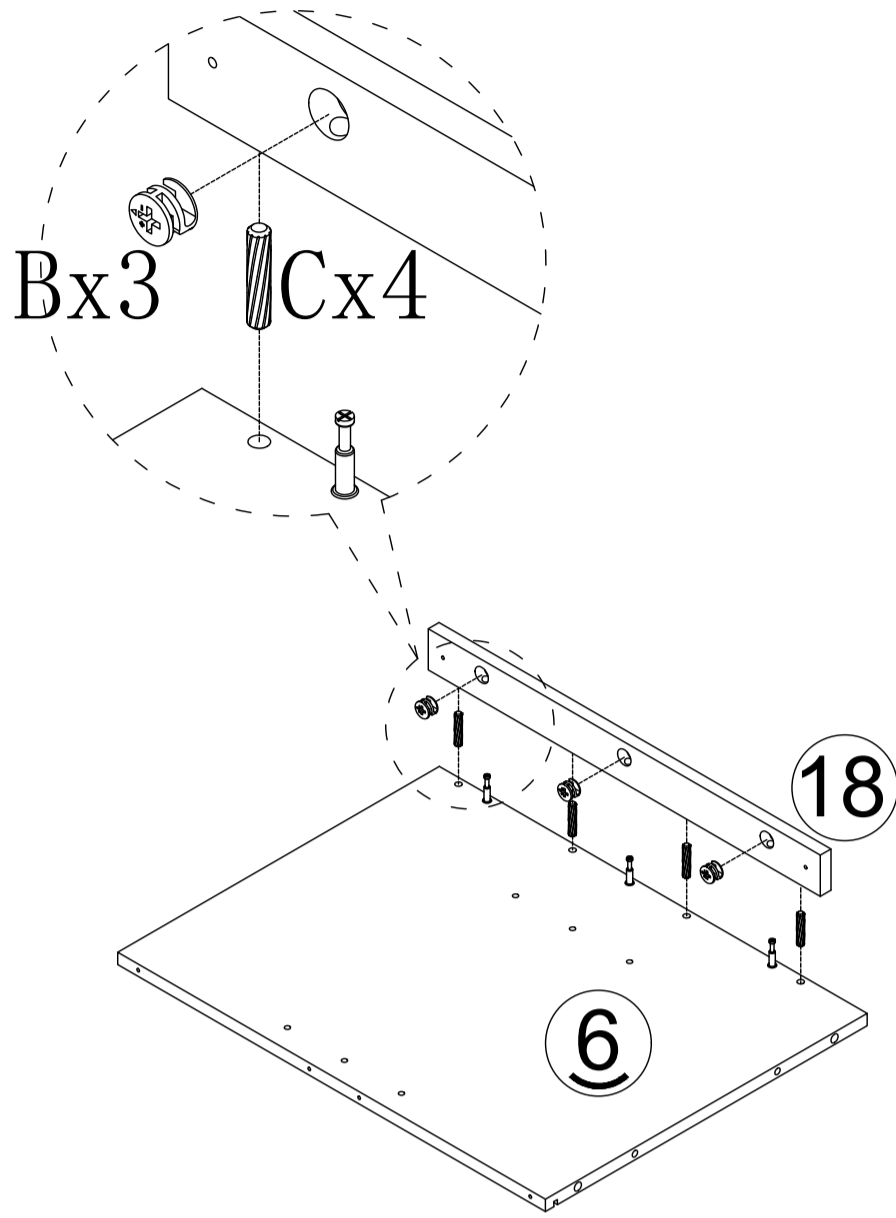
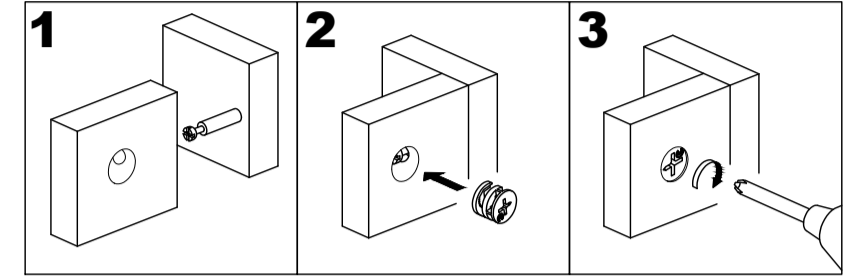
			
A 6PCS	C 5PCS	G 6PCS	



Assemble

Step 3

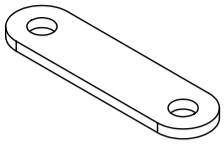

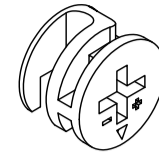
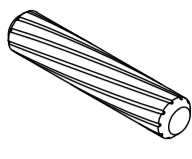
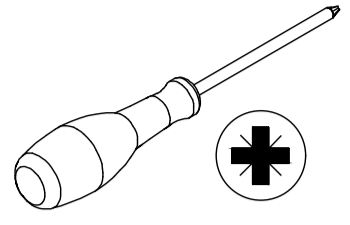
			
B	8PCS	C	10PCS

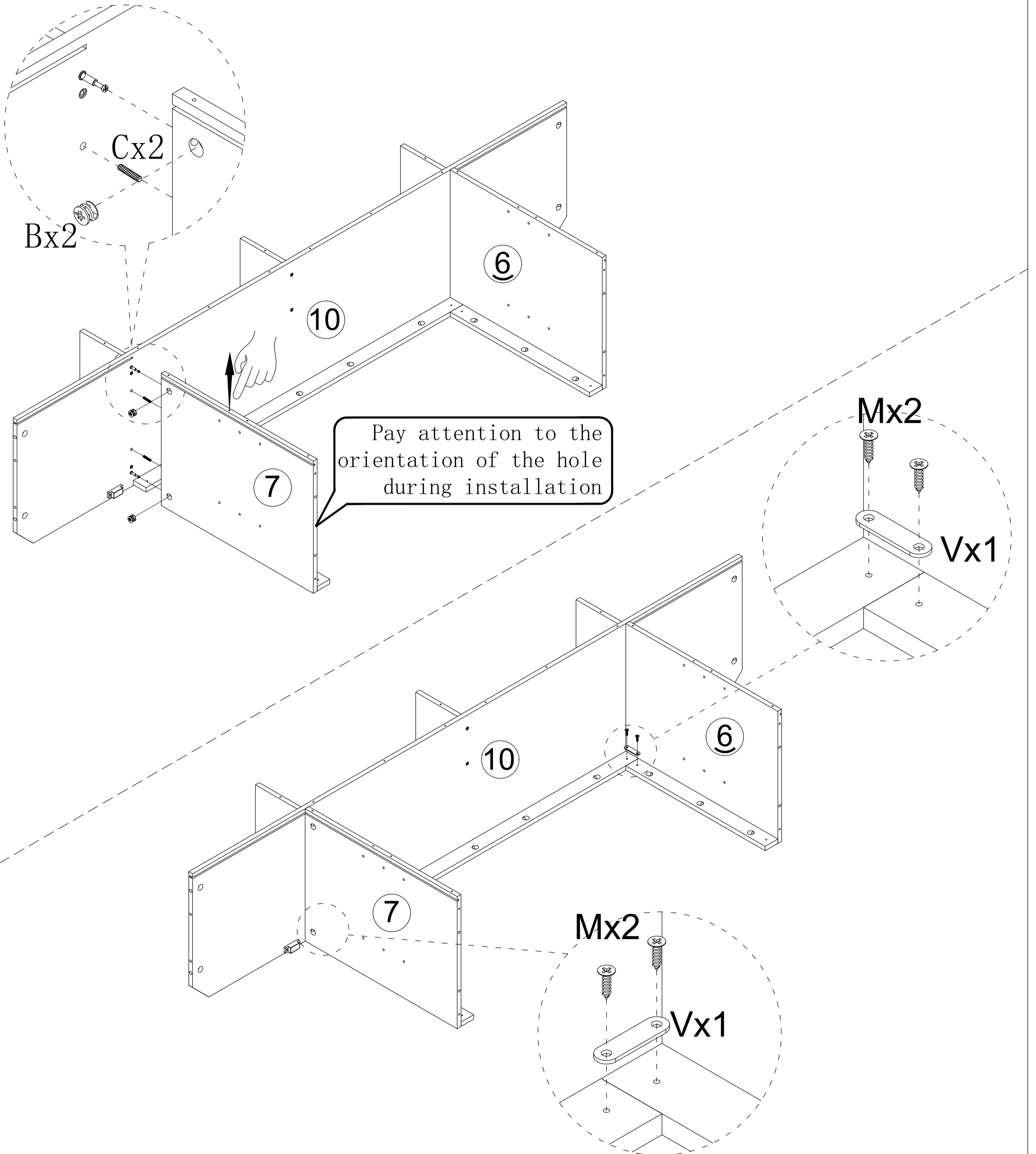
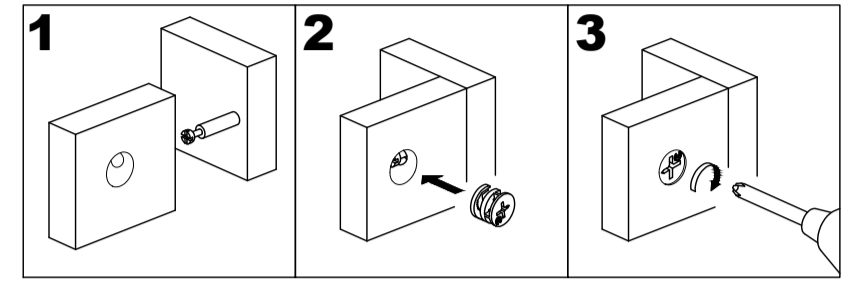


Pay attention to the orientation of the hole during installation

Assemble

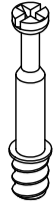
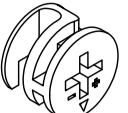
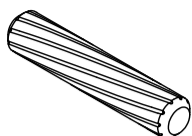
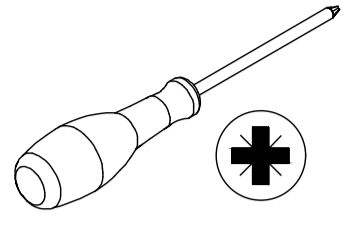
Step 4

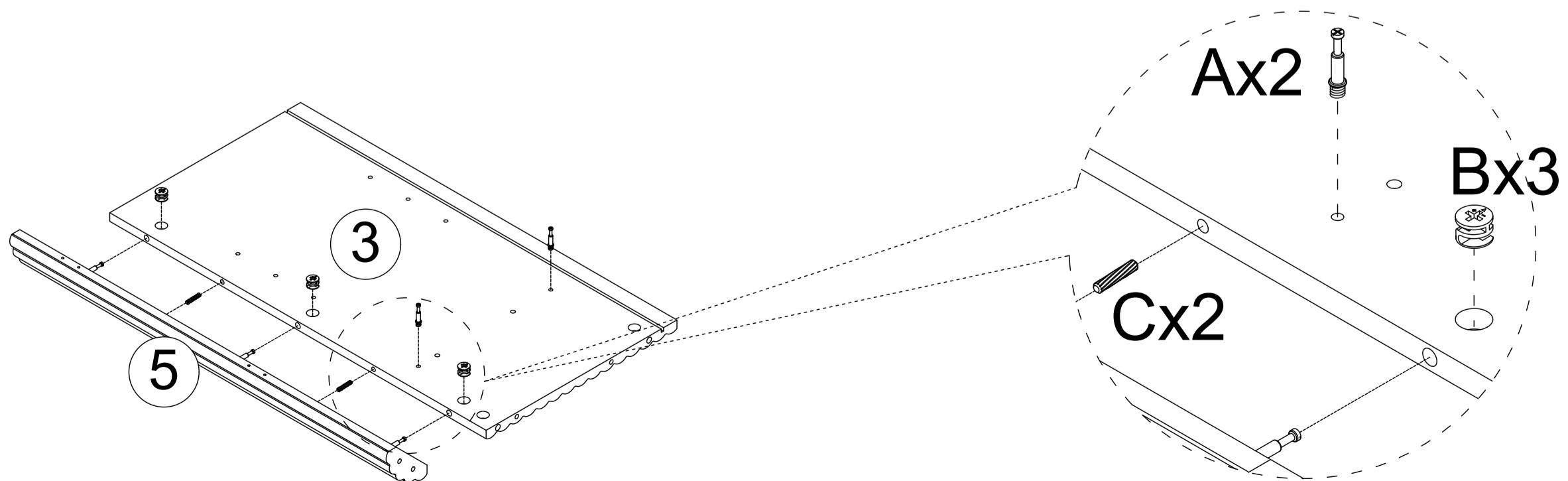
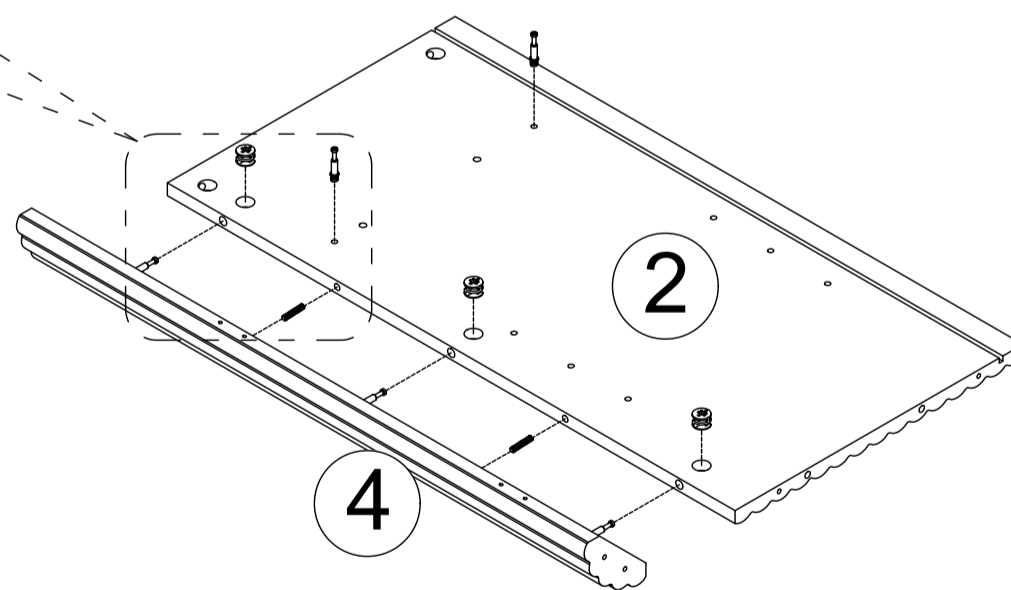
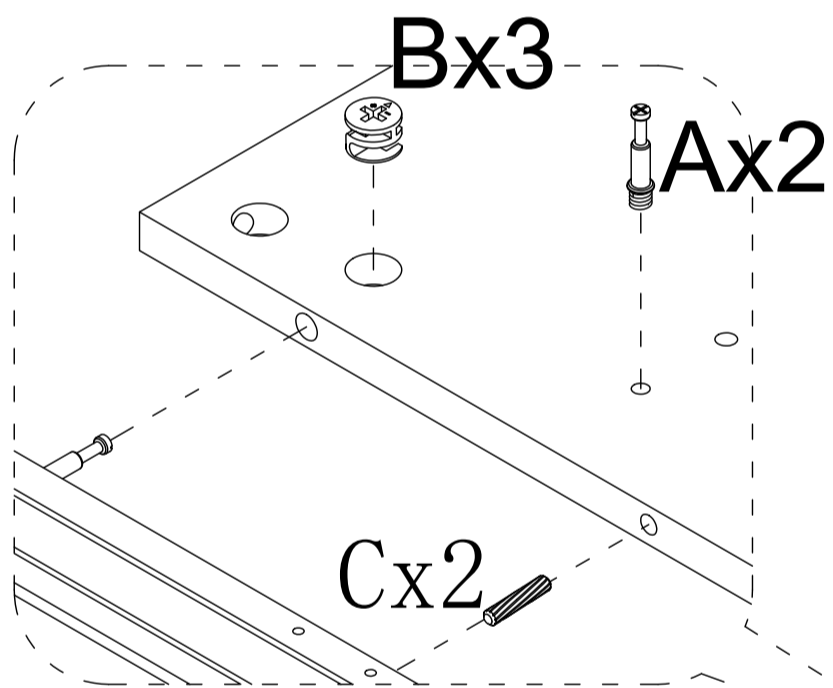
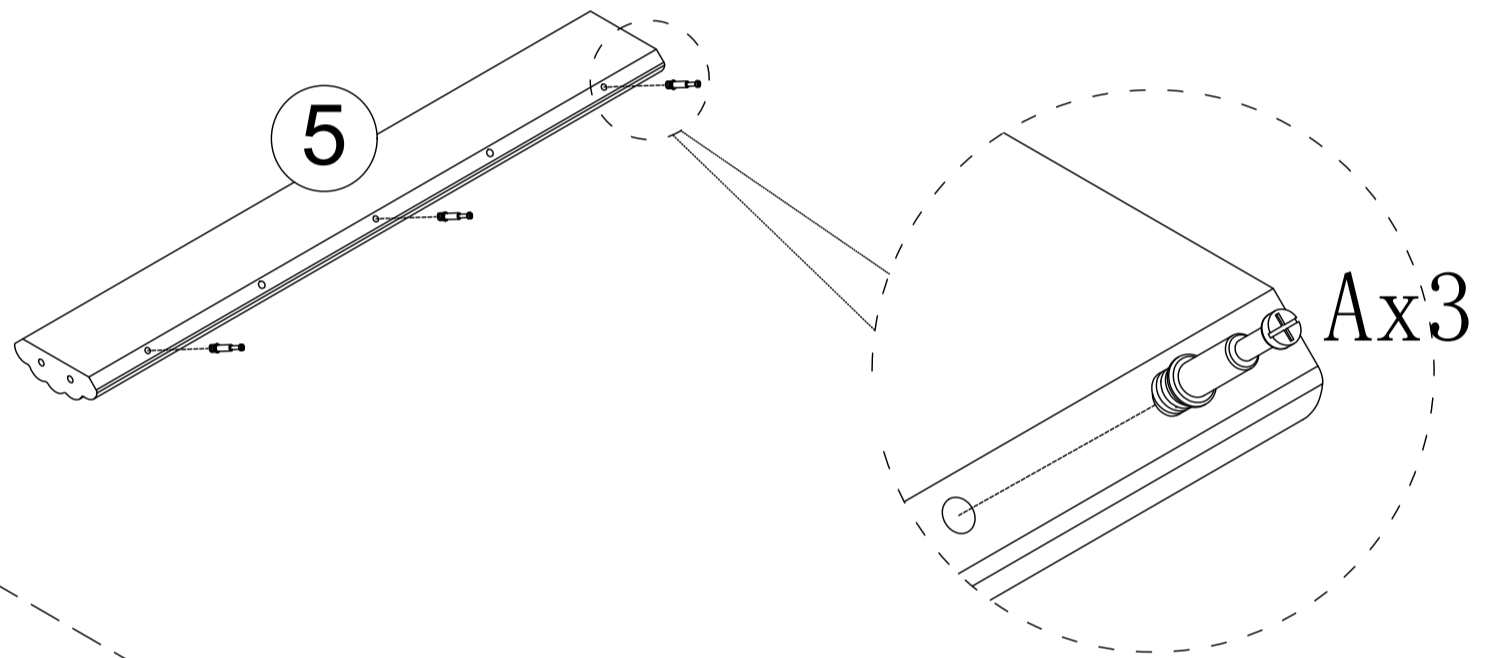
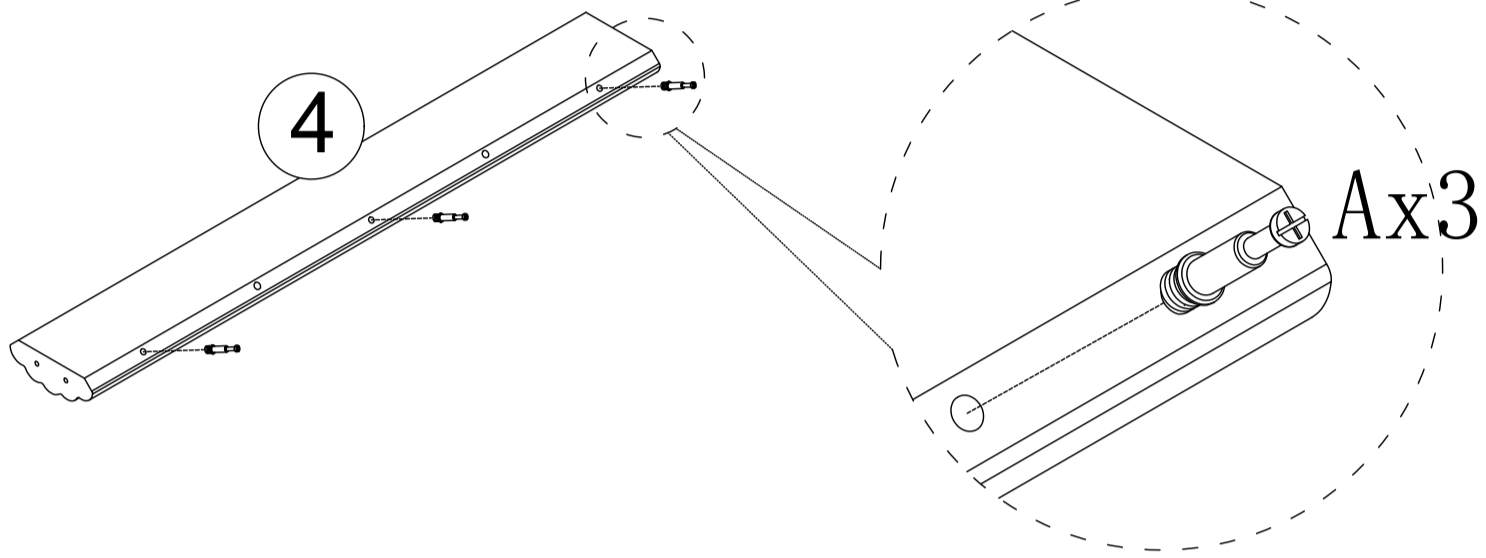
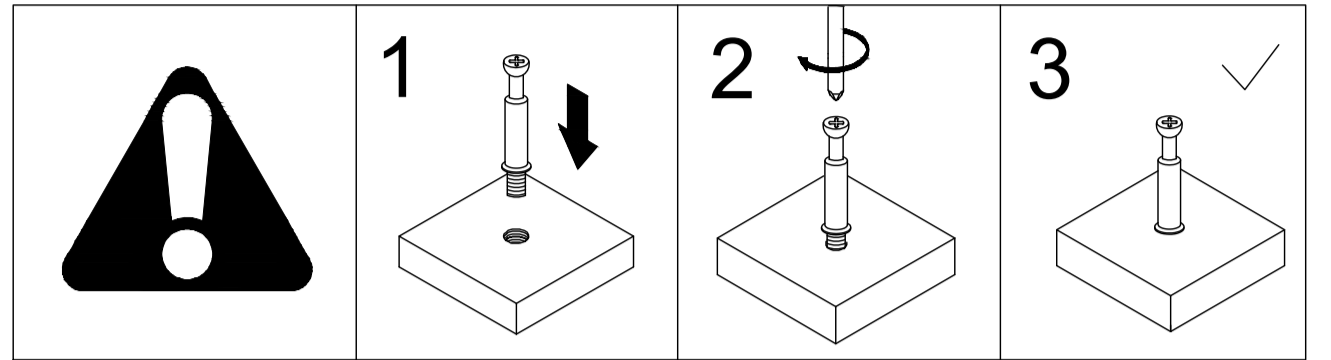
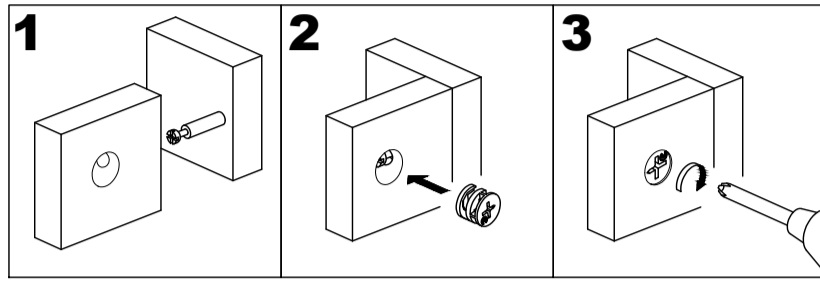
								
V	2PCS	M	4PCS	B	2PCS	C	2PCS	



Assemble

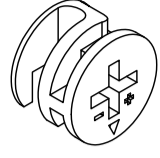
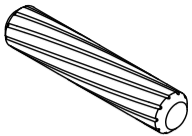
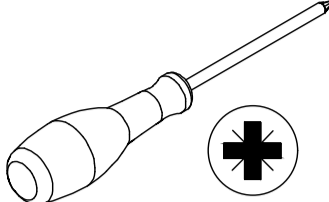
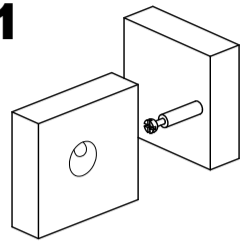
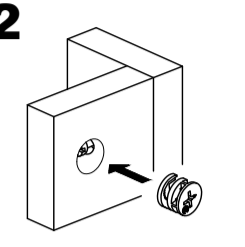
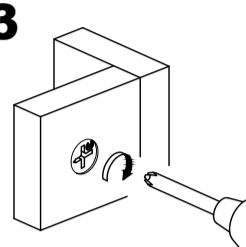
Step 5

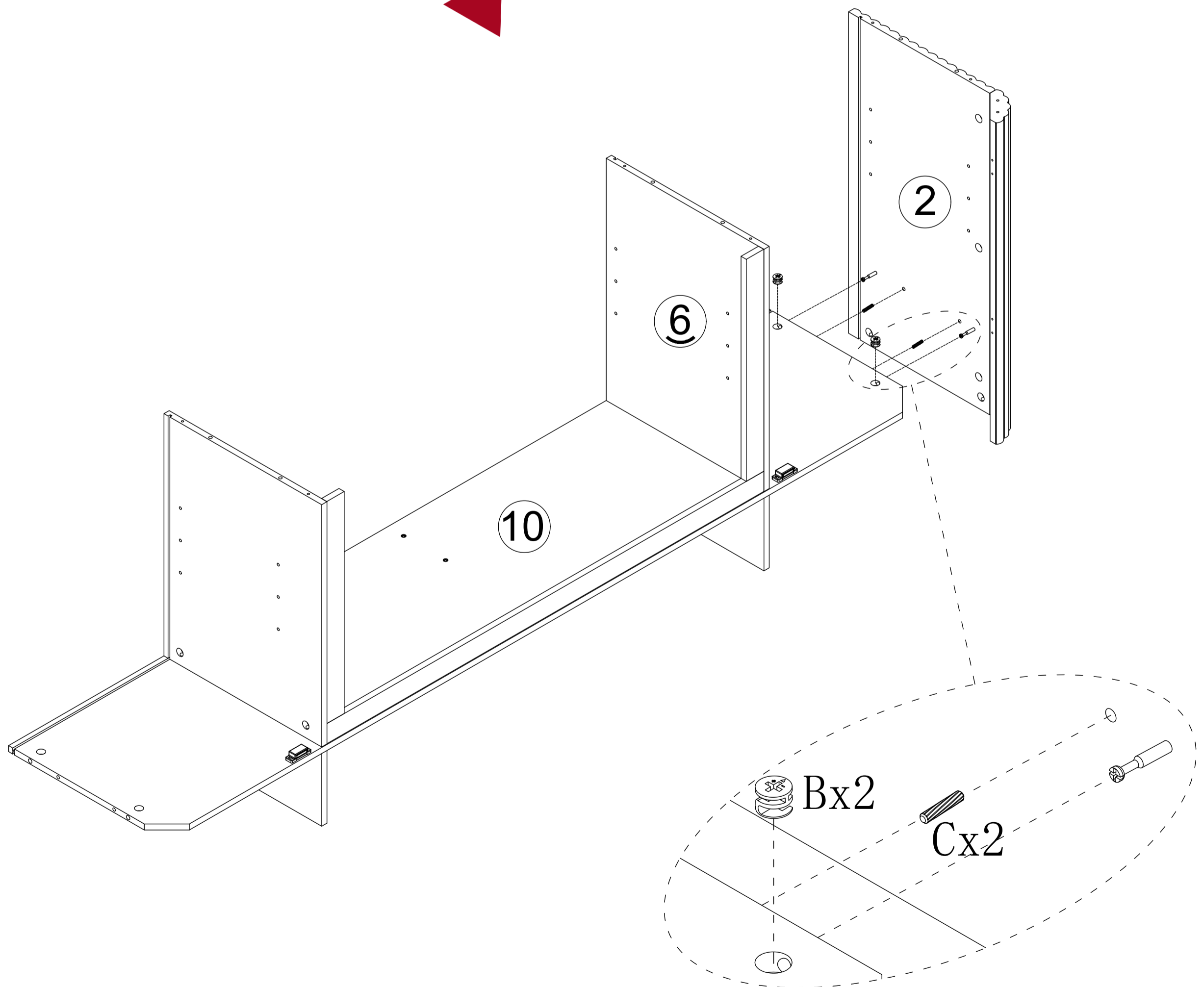
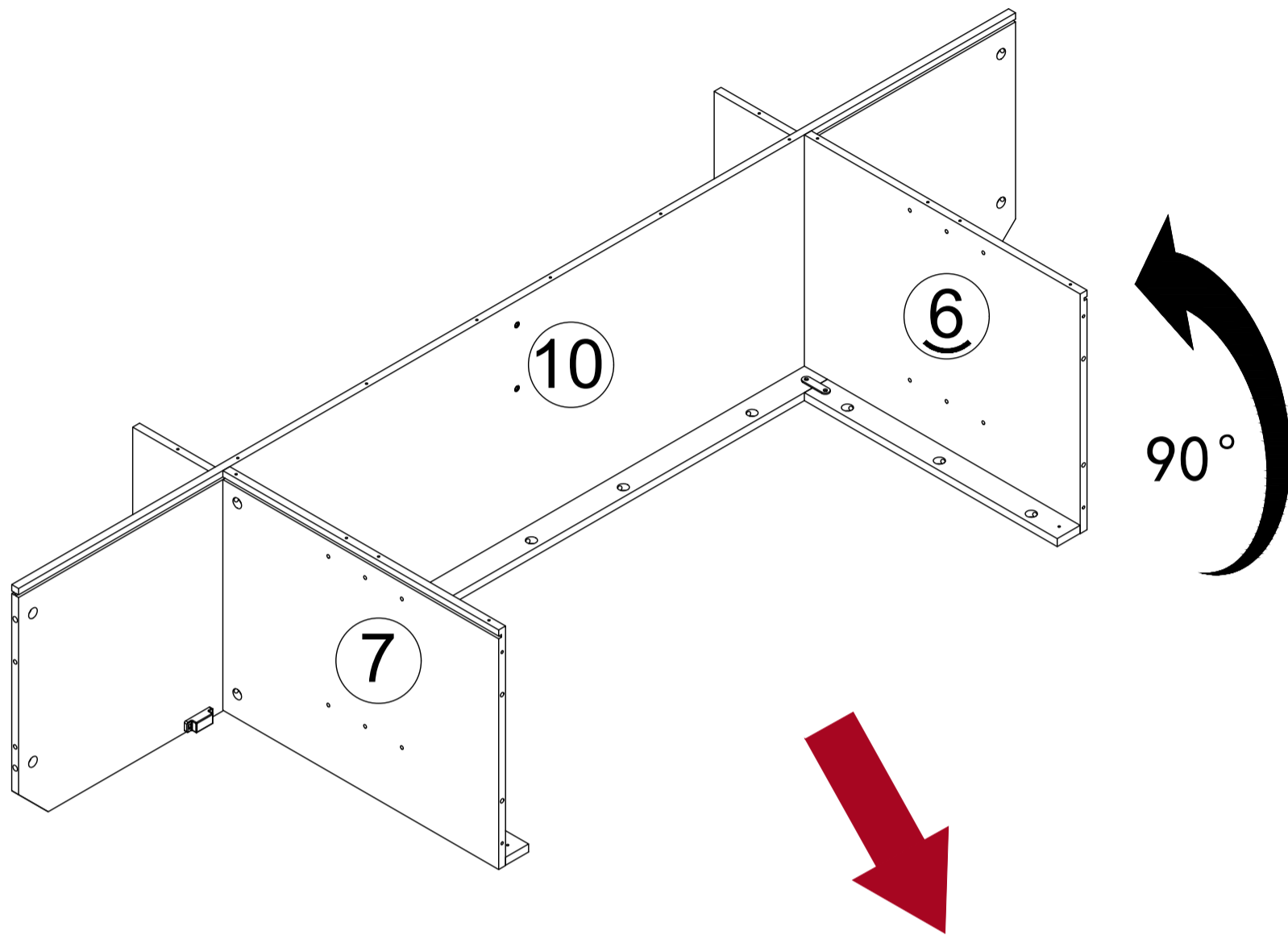
					
A	10PCS	B	6PCS	C	4PCS



Assemble

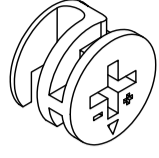
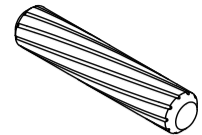
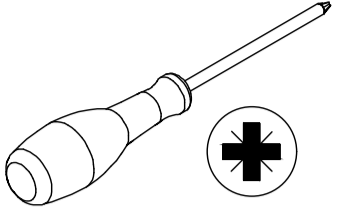
Step 6

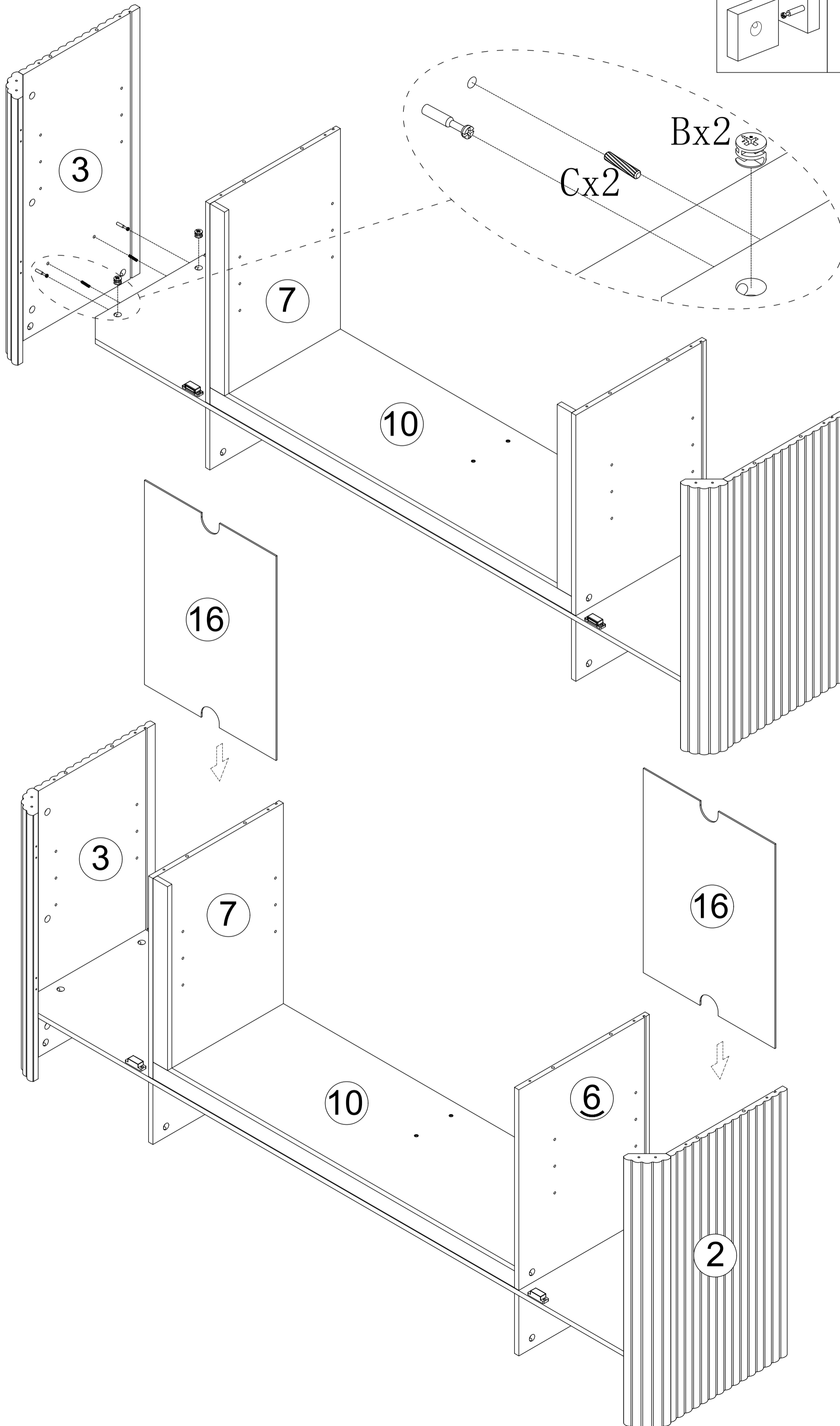
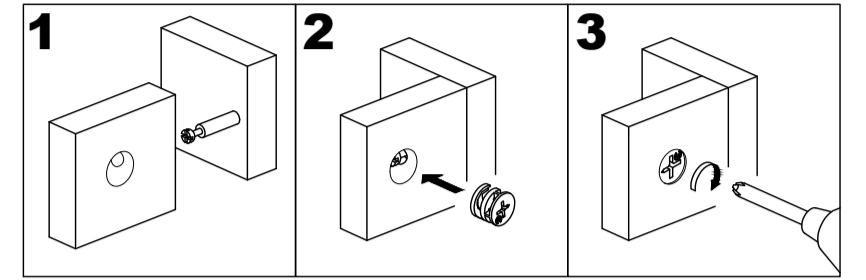
				
B	2PCS	C	2PCS	
				



Assemble

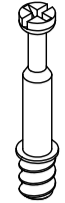

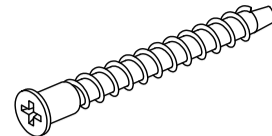
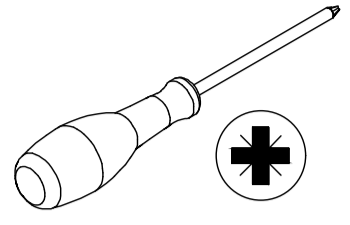
Step 7

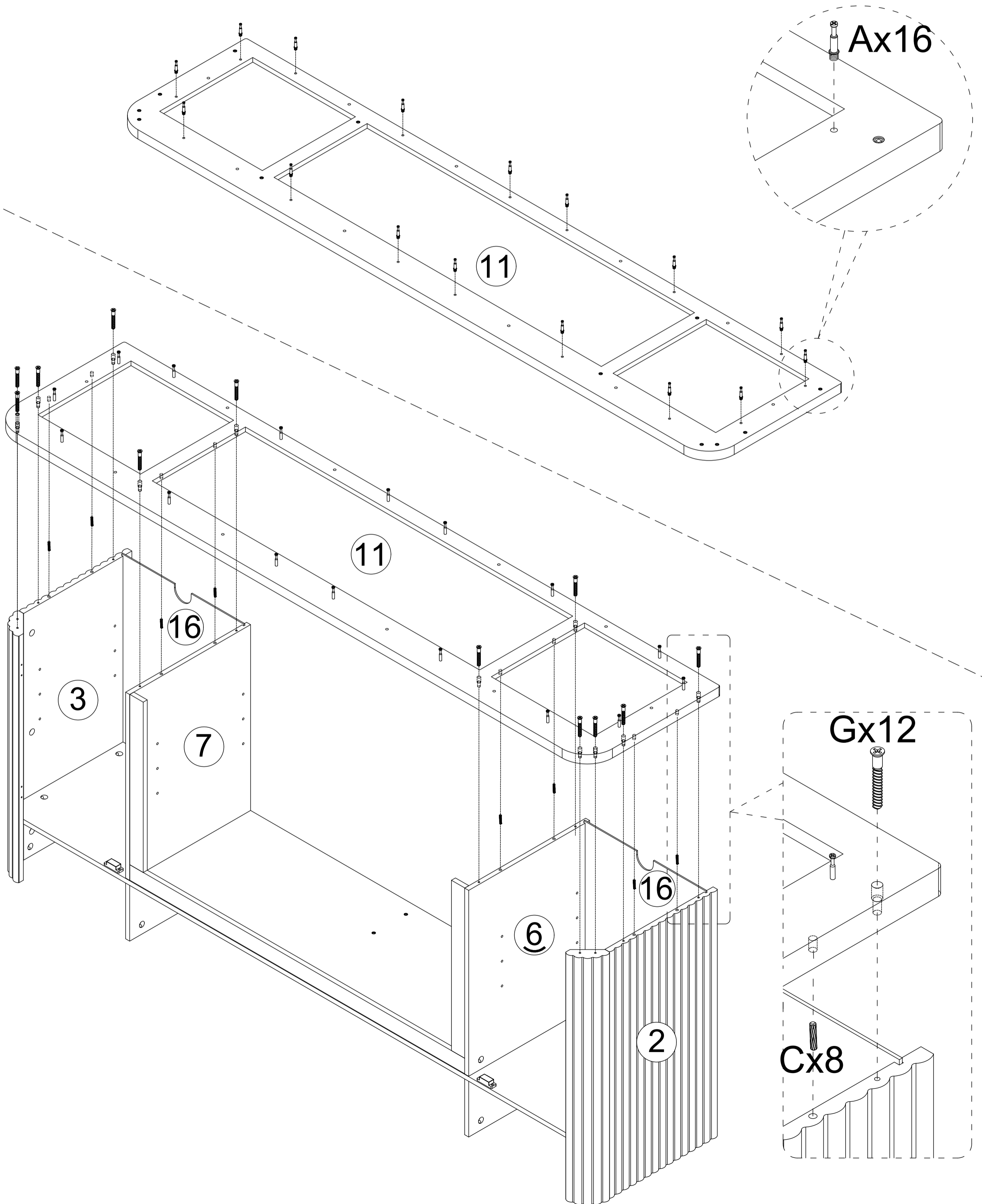
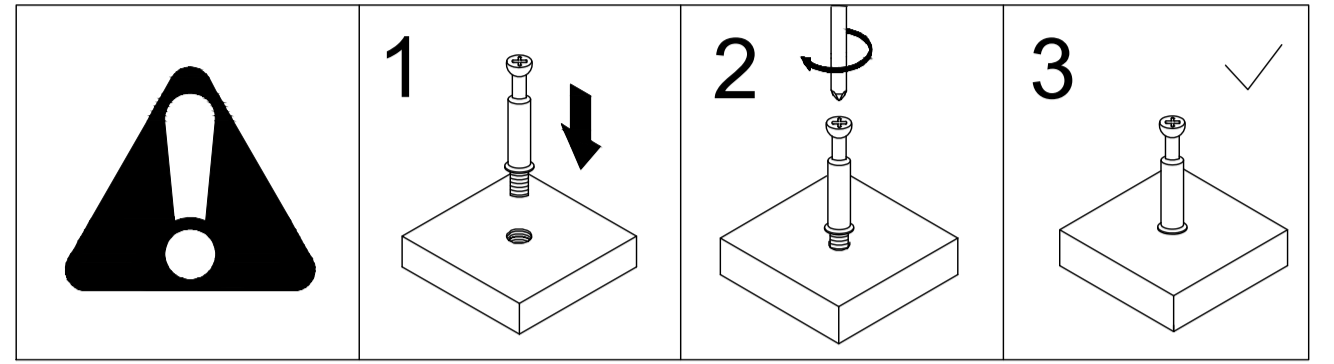
				
B	2PCS	C	2PCS	



Assemble

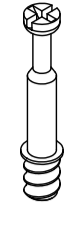
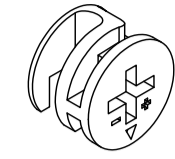
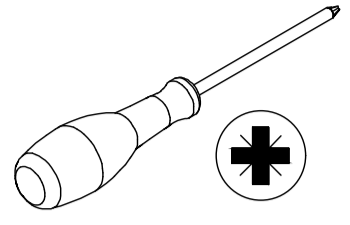
Step 8

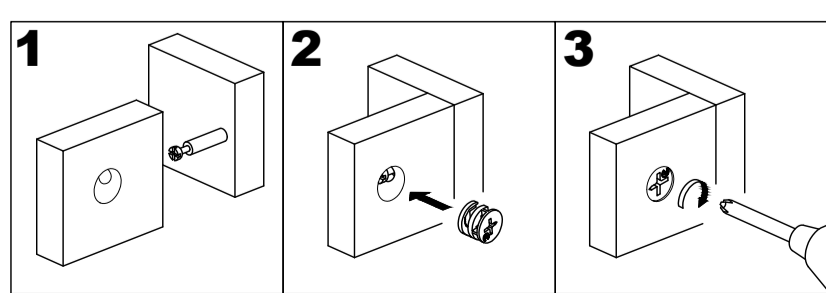
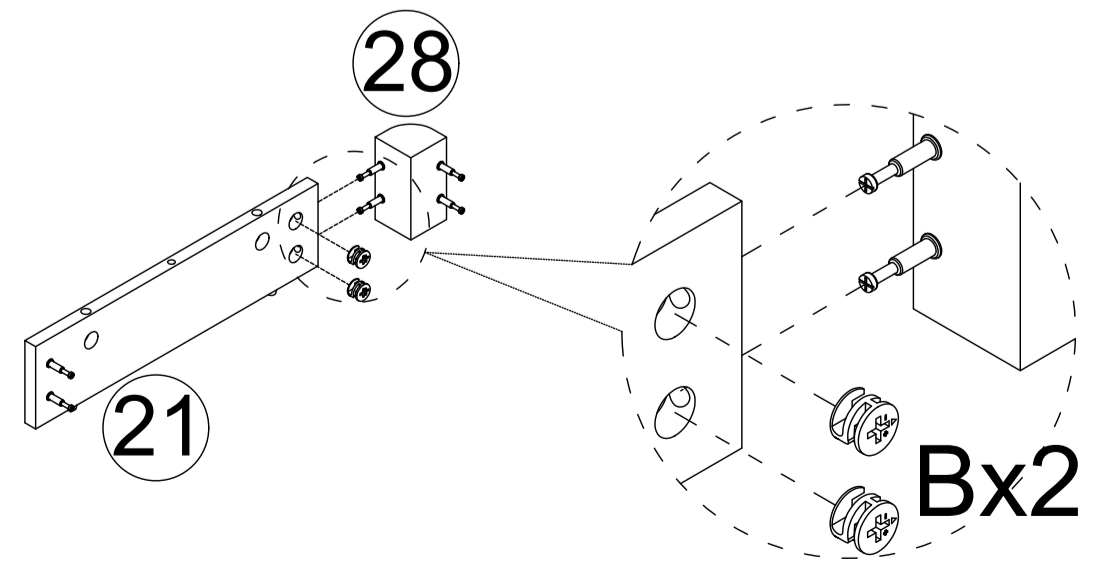
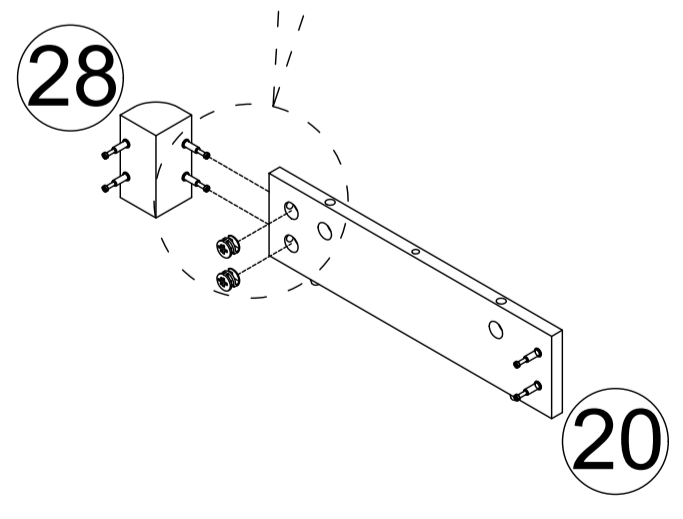
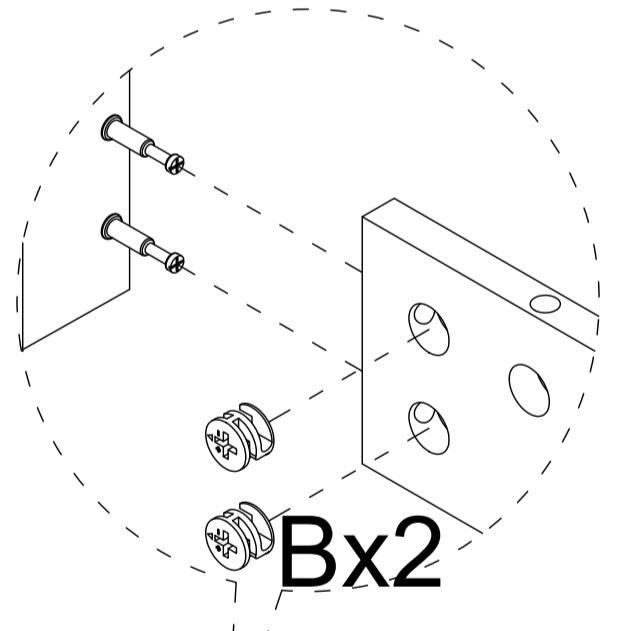
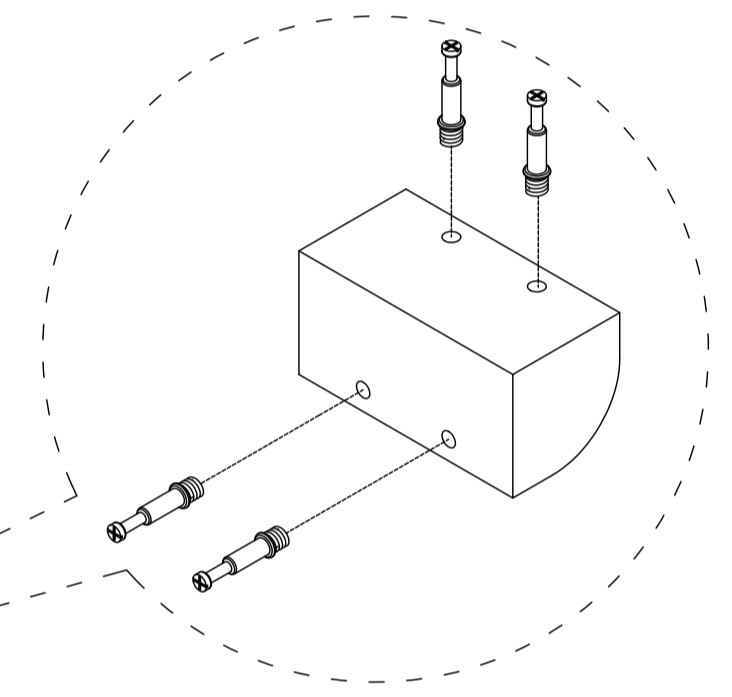
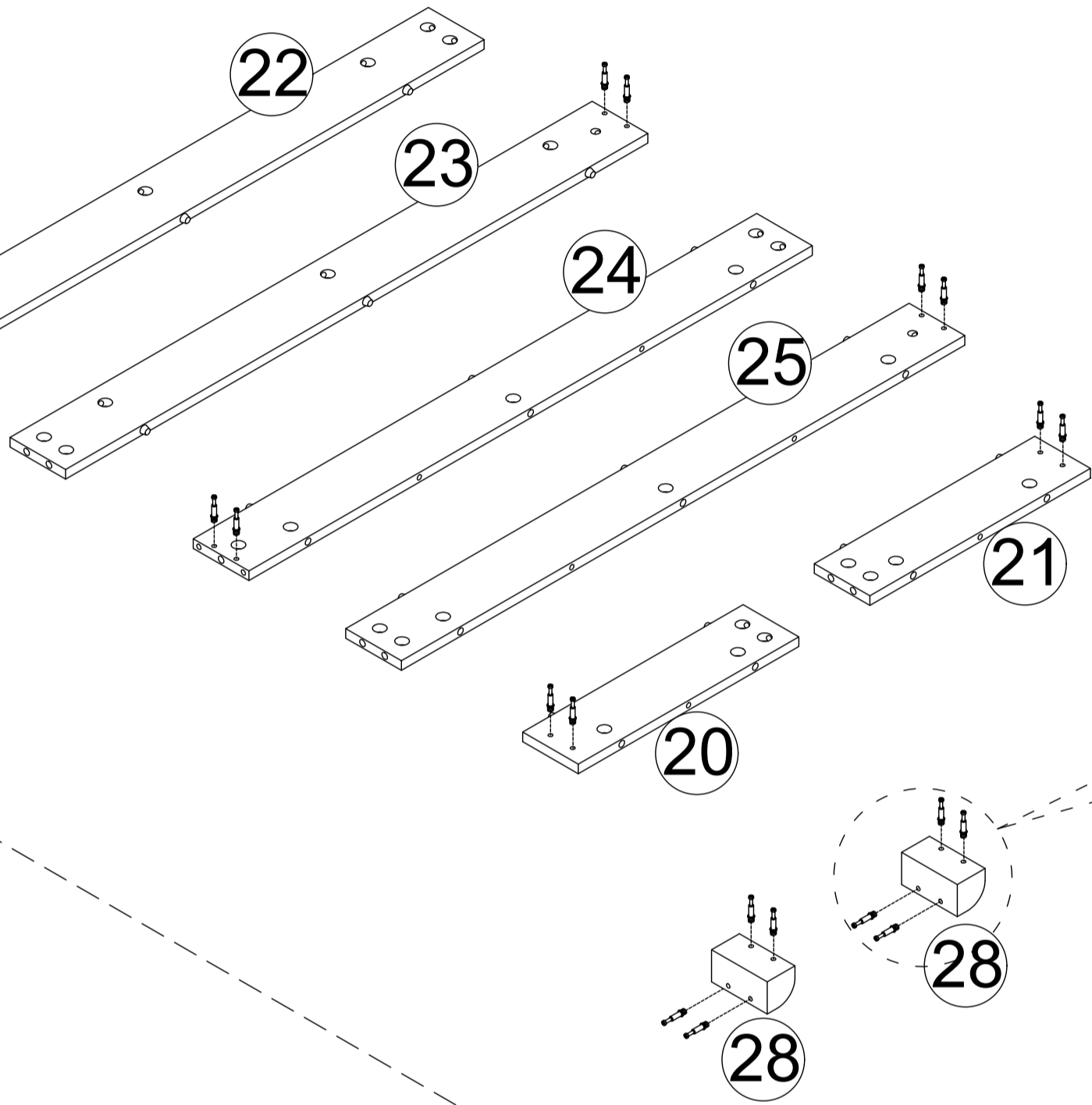
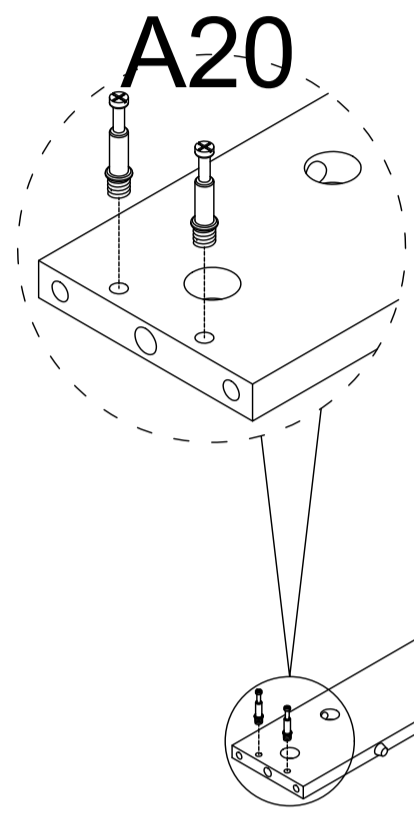
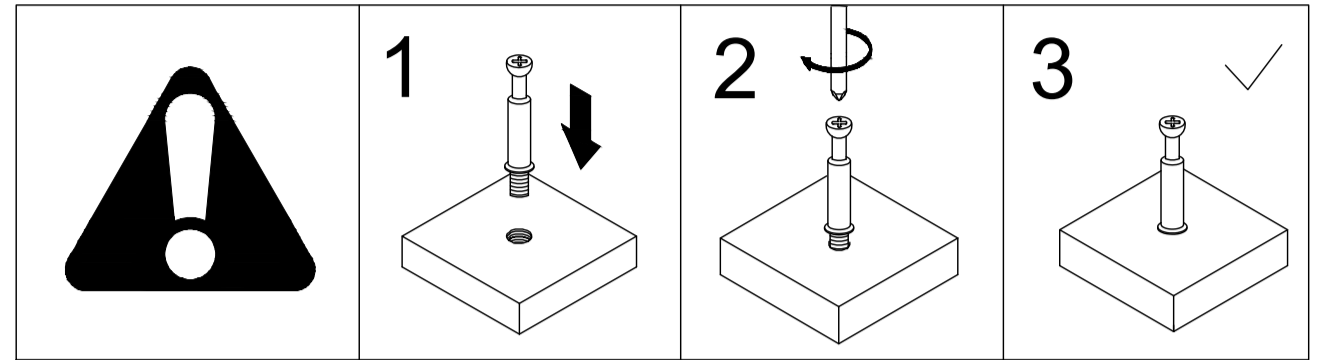
					
A	16PCS	C	8PCS	G	12PCS



Assemble

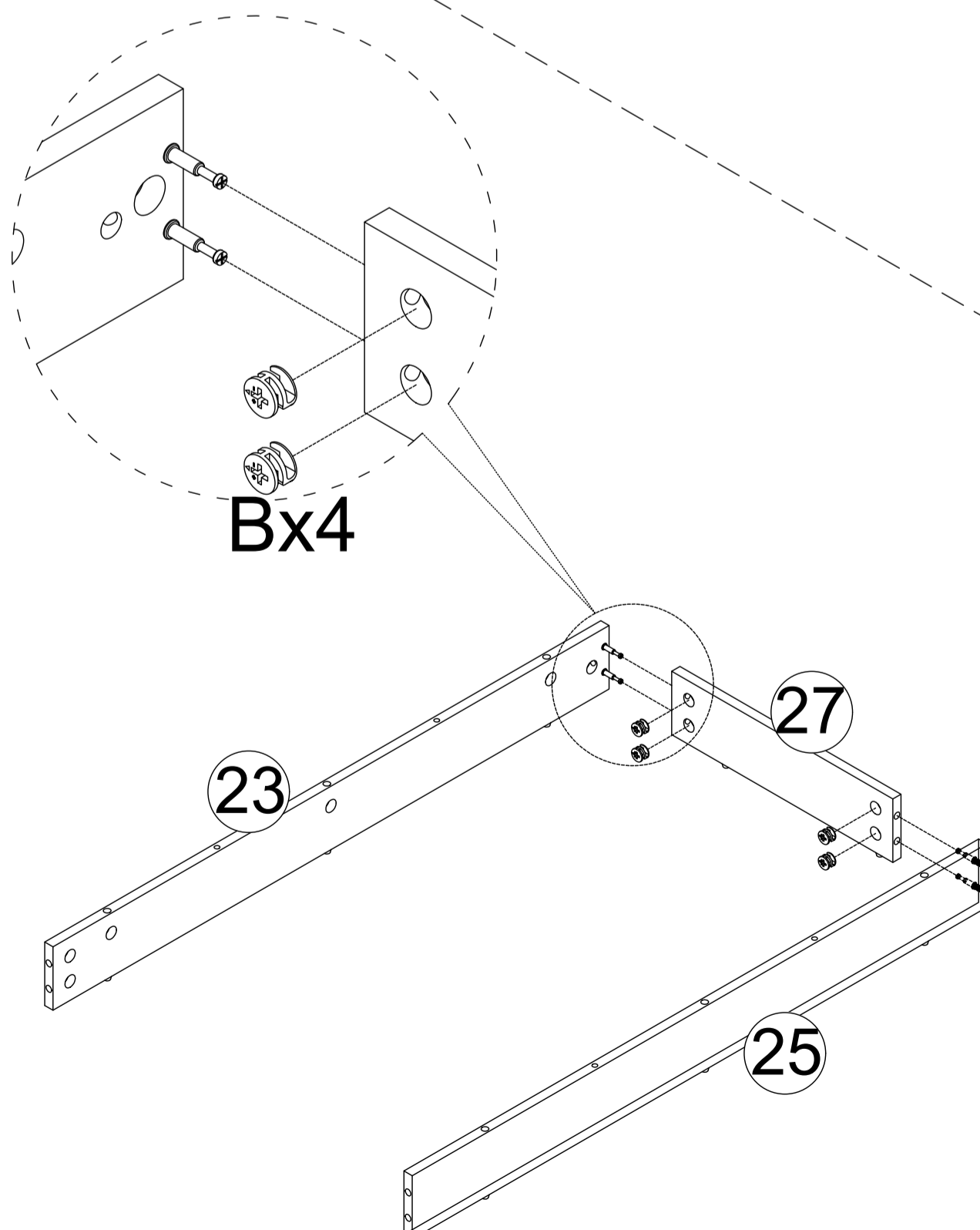
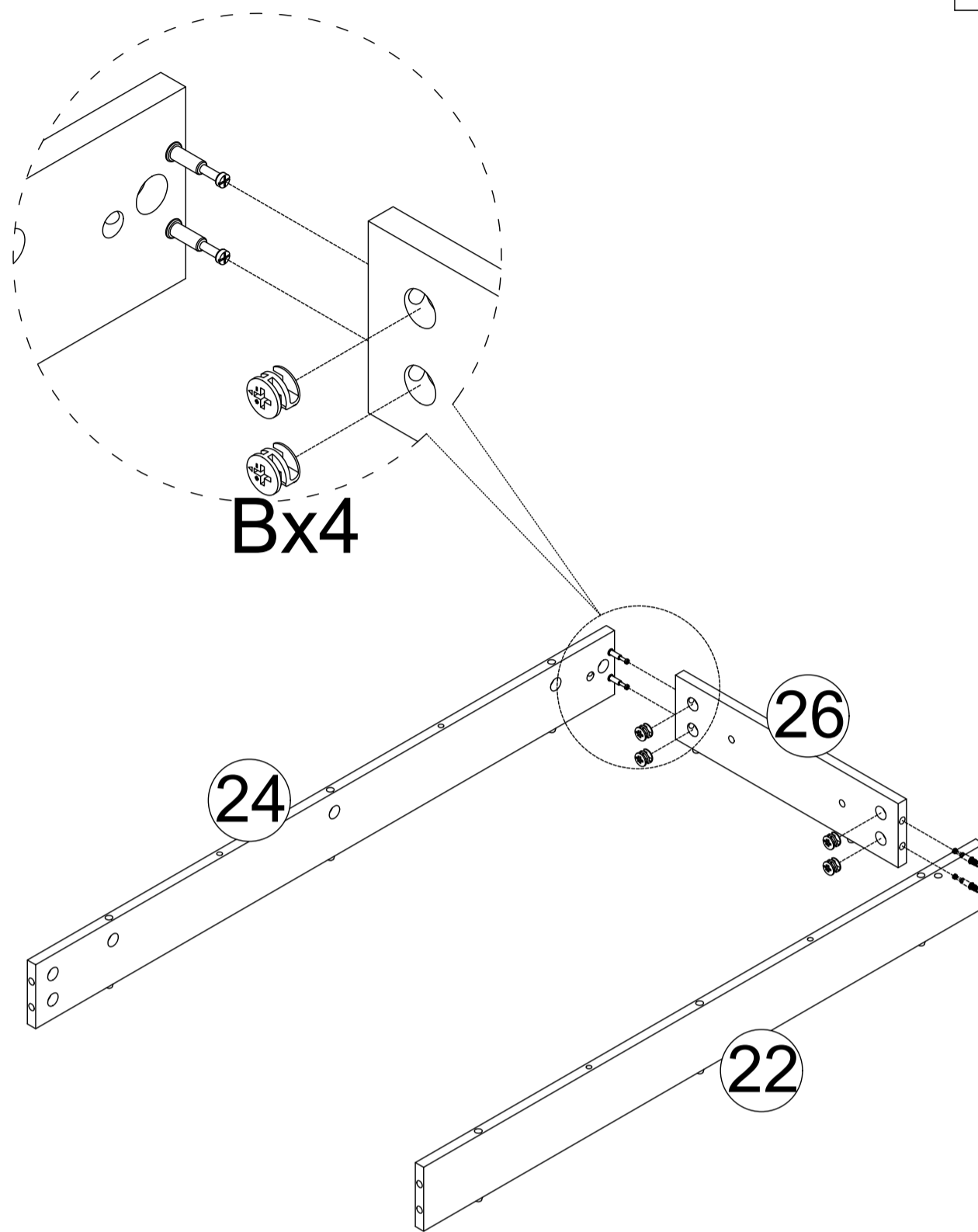
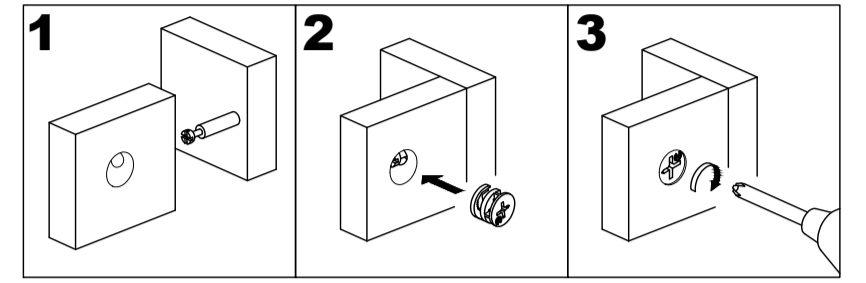
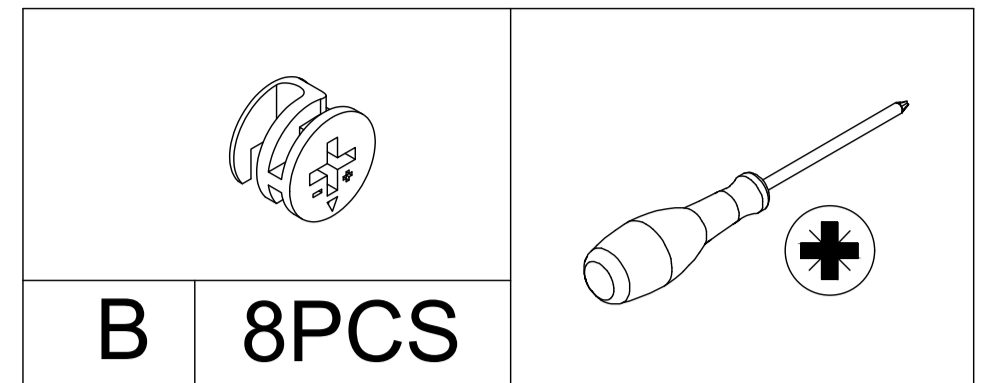
Step 9

			
A	20PCS	B	4PCS



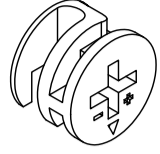
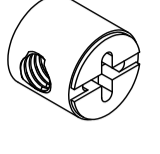
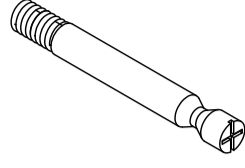
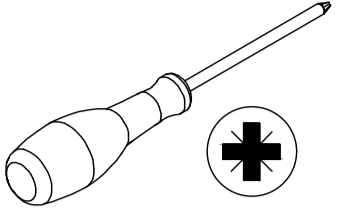
Assemble

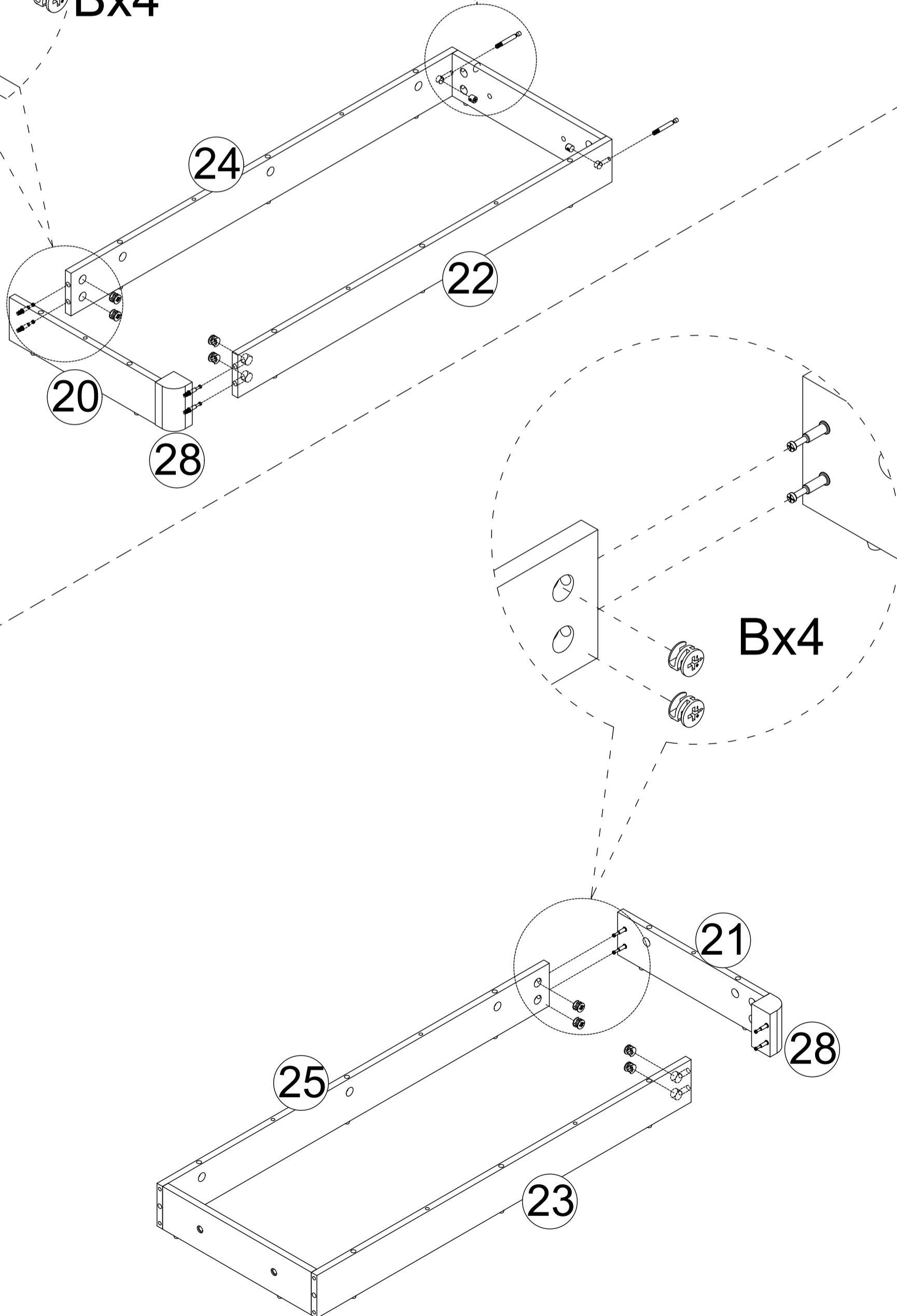
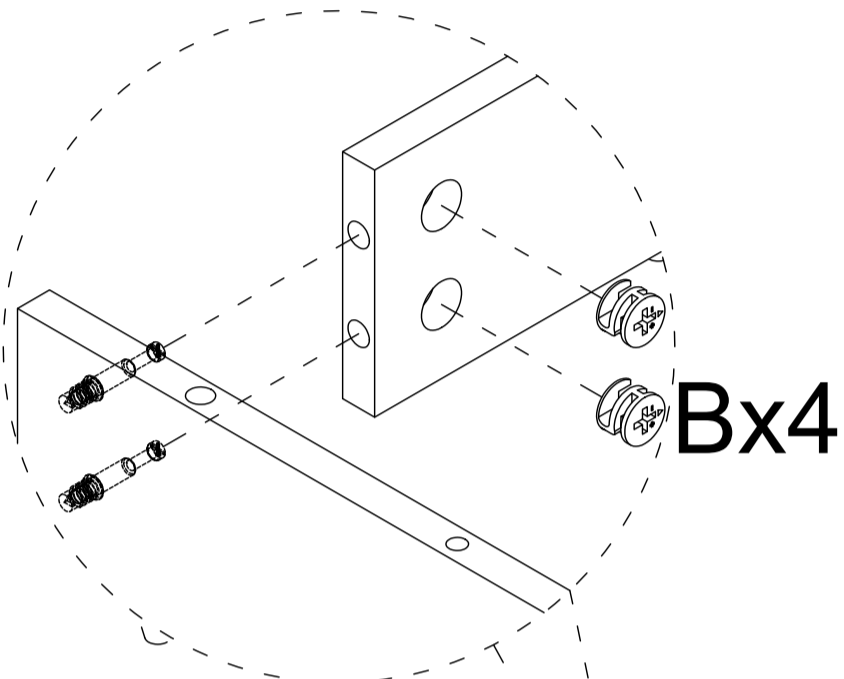
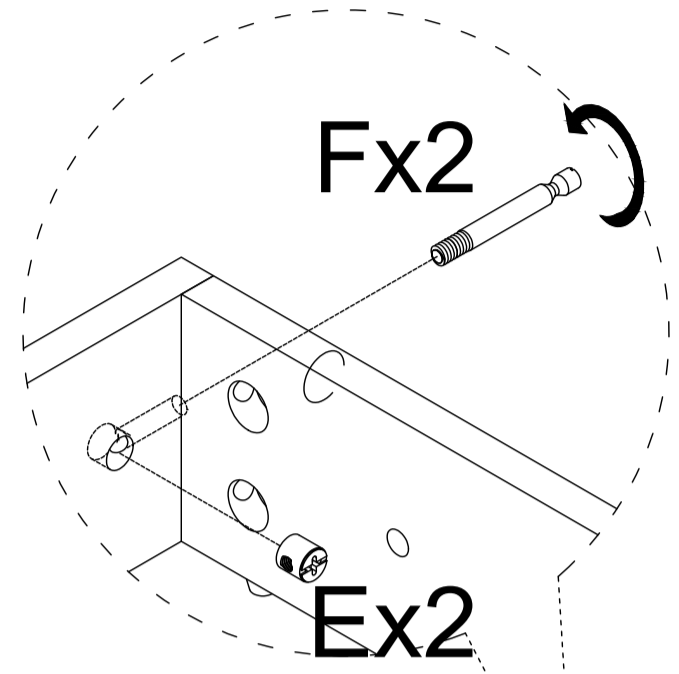
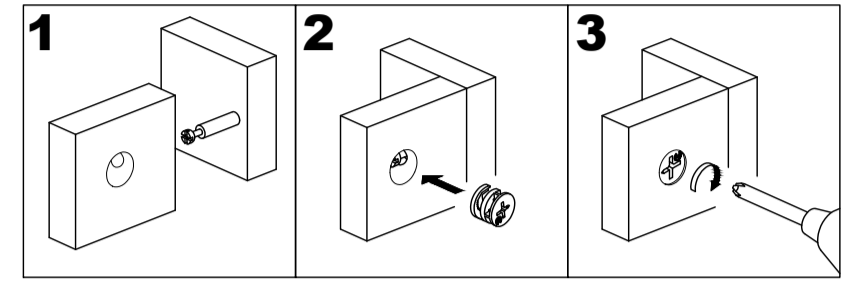
Step 10



Assemble

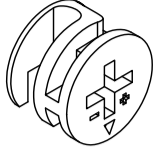
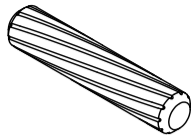
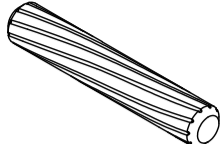
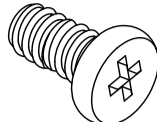
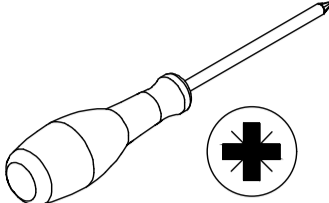
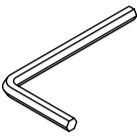
Step 11

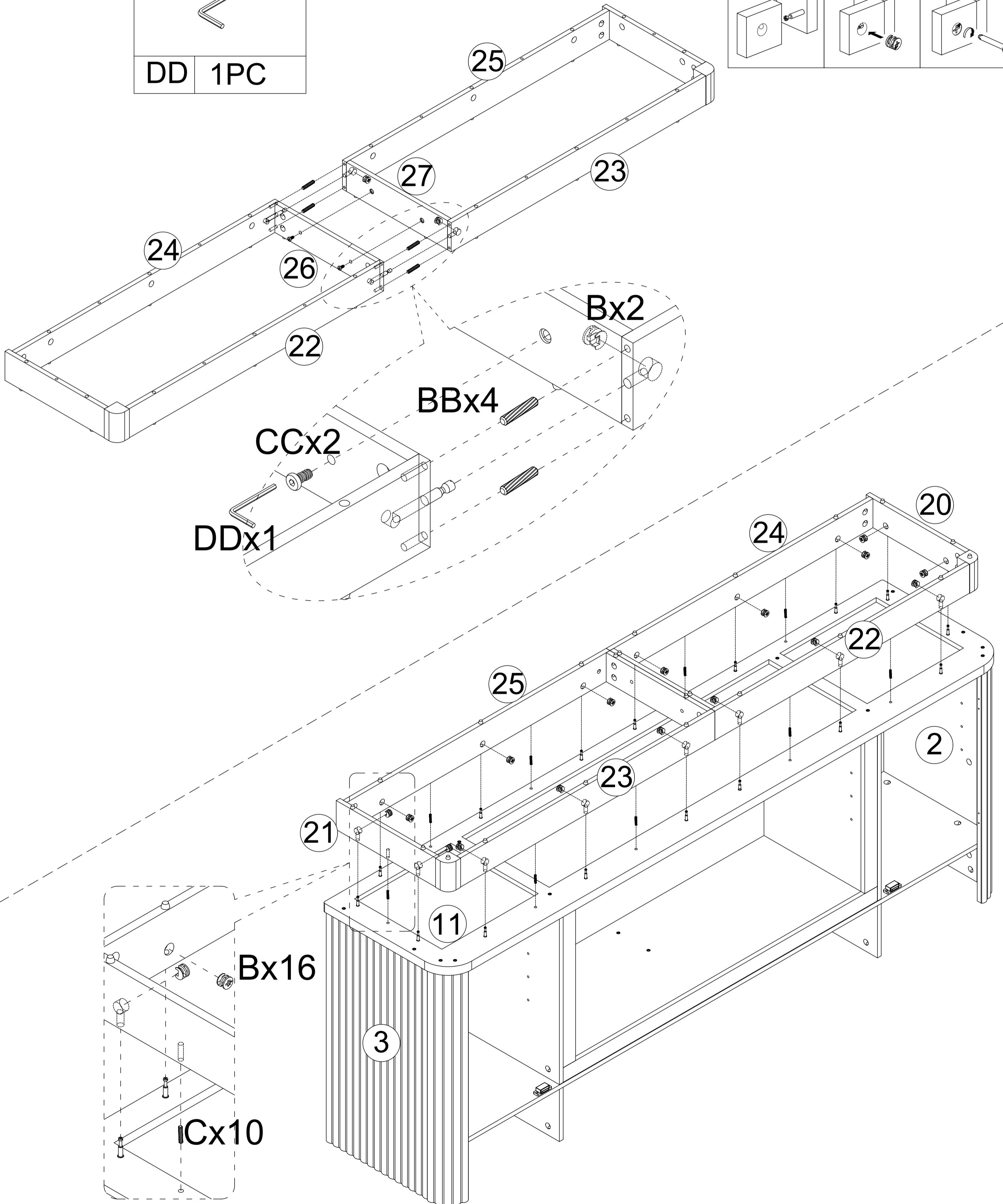
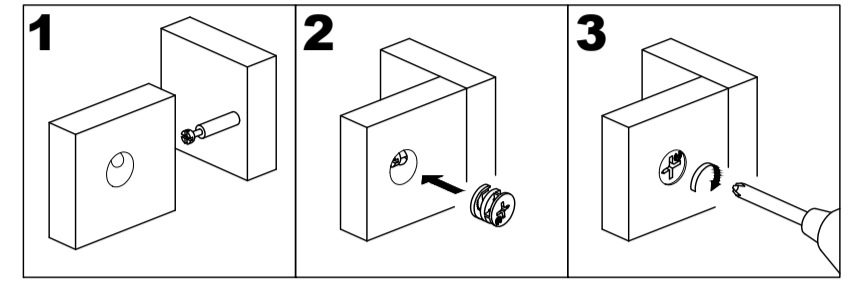
							
B	8PCS	E	2PCS	F	2PCS		



Assemble

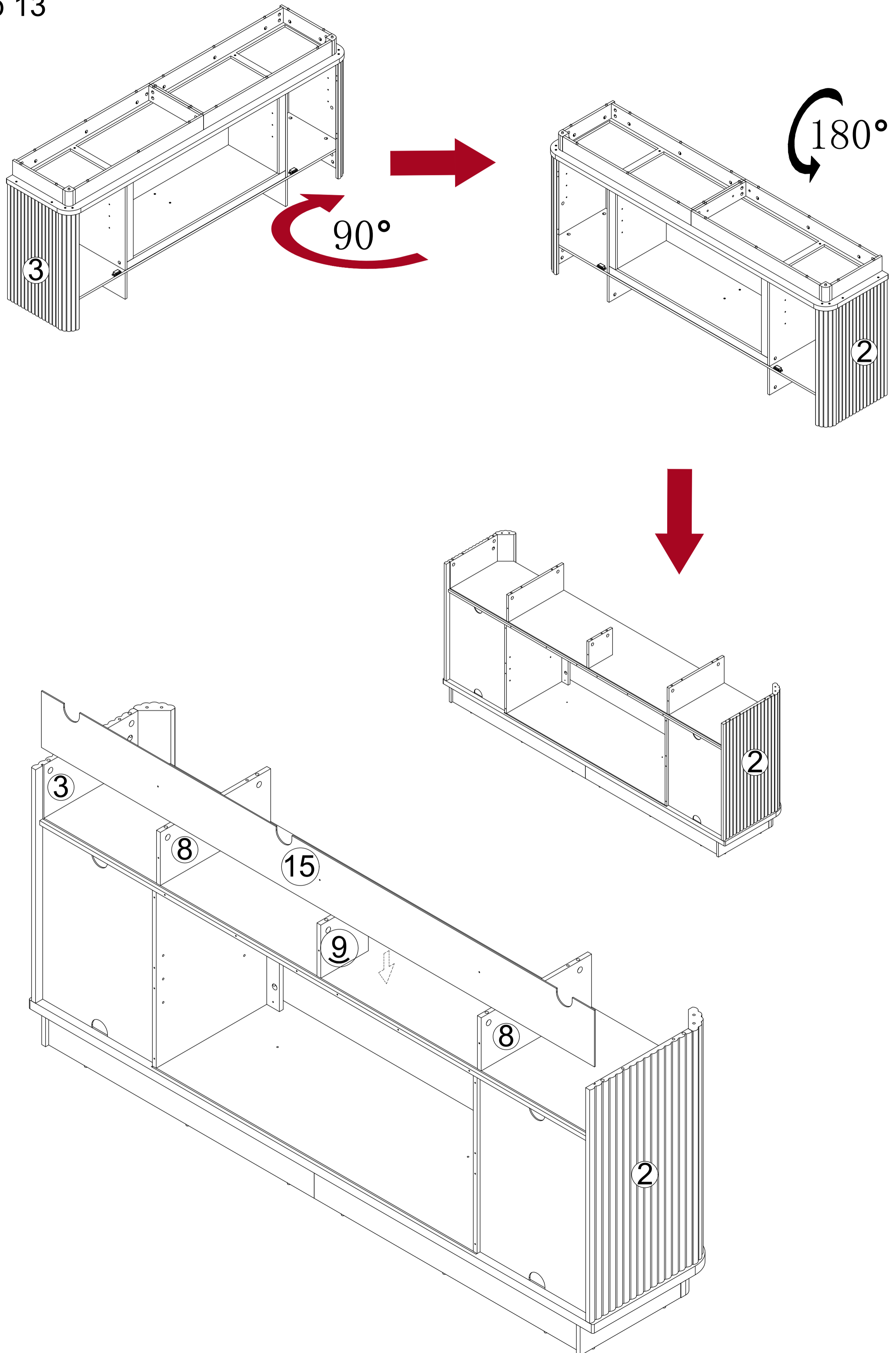
Step 12

							
B	18PCS	C	10PCS	BB	4PCS	CC	2PCS
							
DD	1PC						



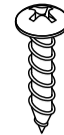
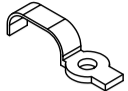
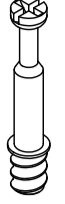
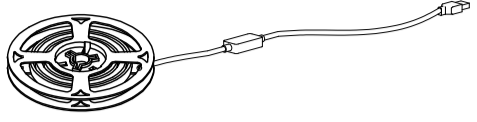
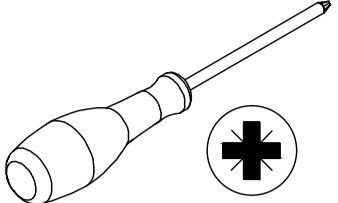
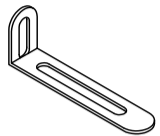


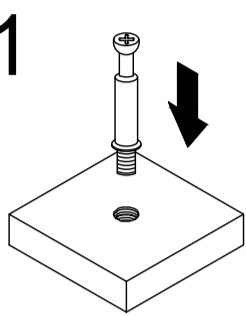
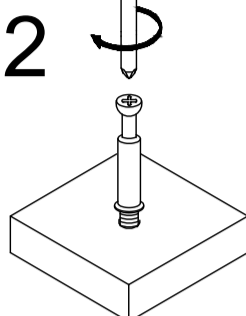
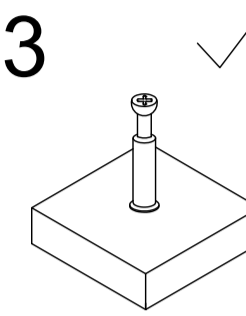
Assemble

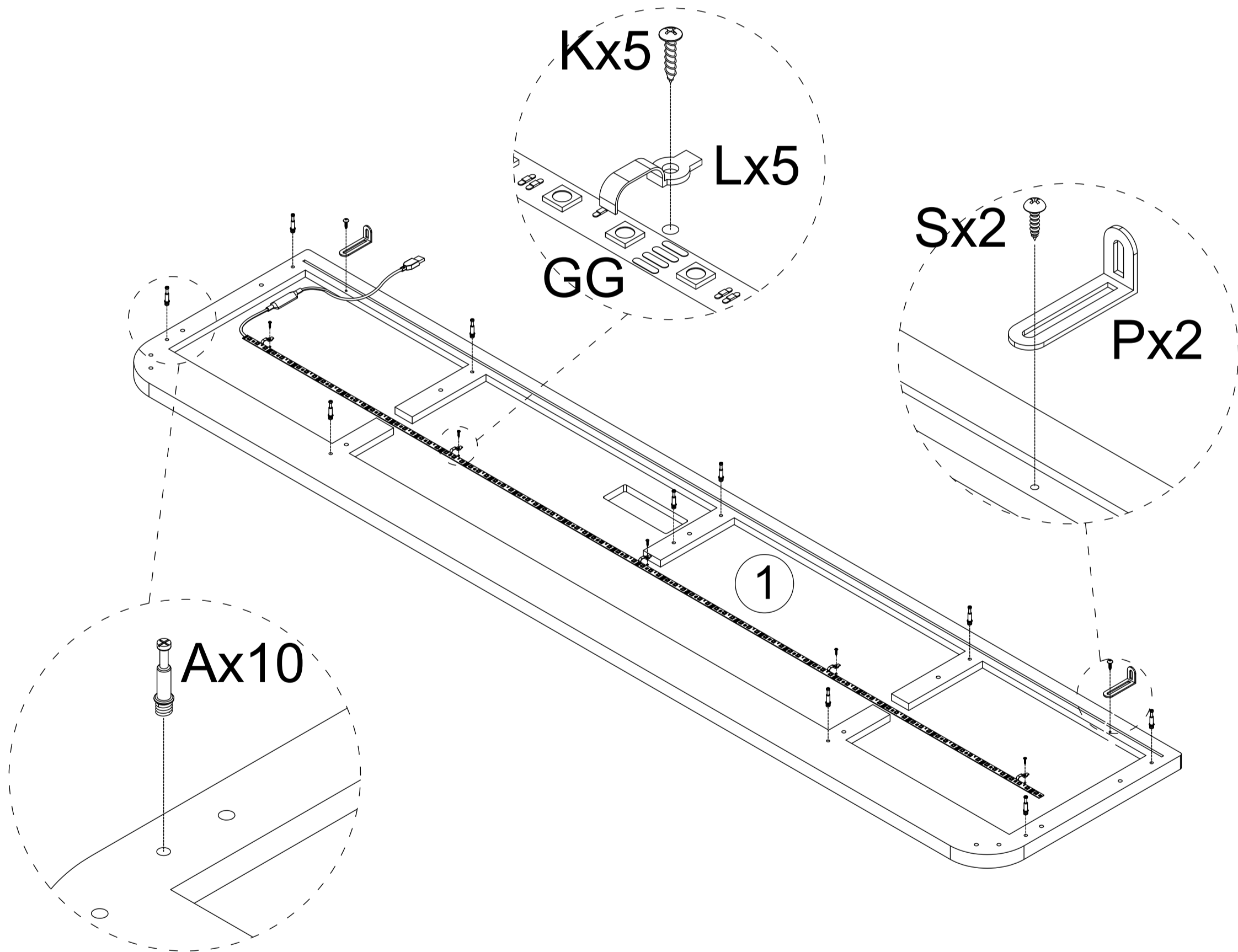
Step 13



Assemble

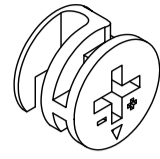
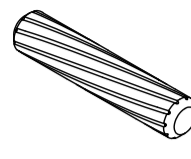
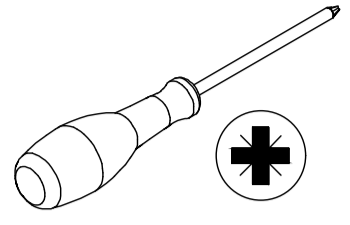

Step 14

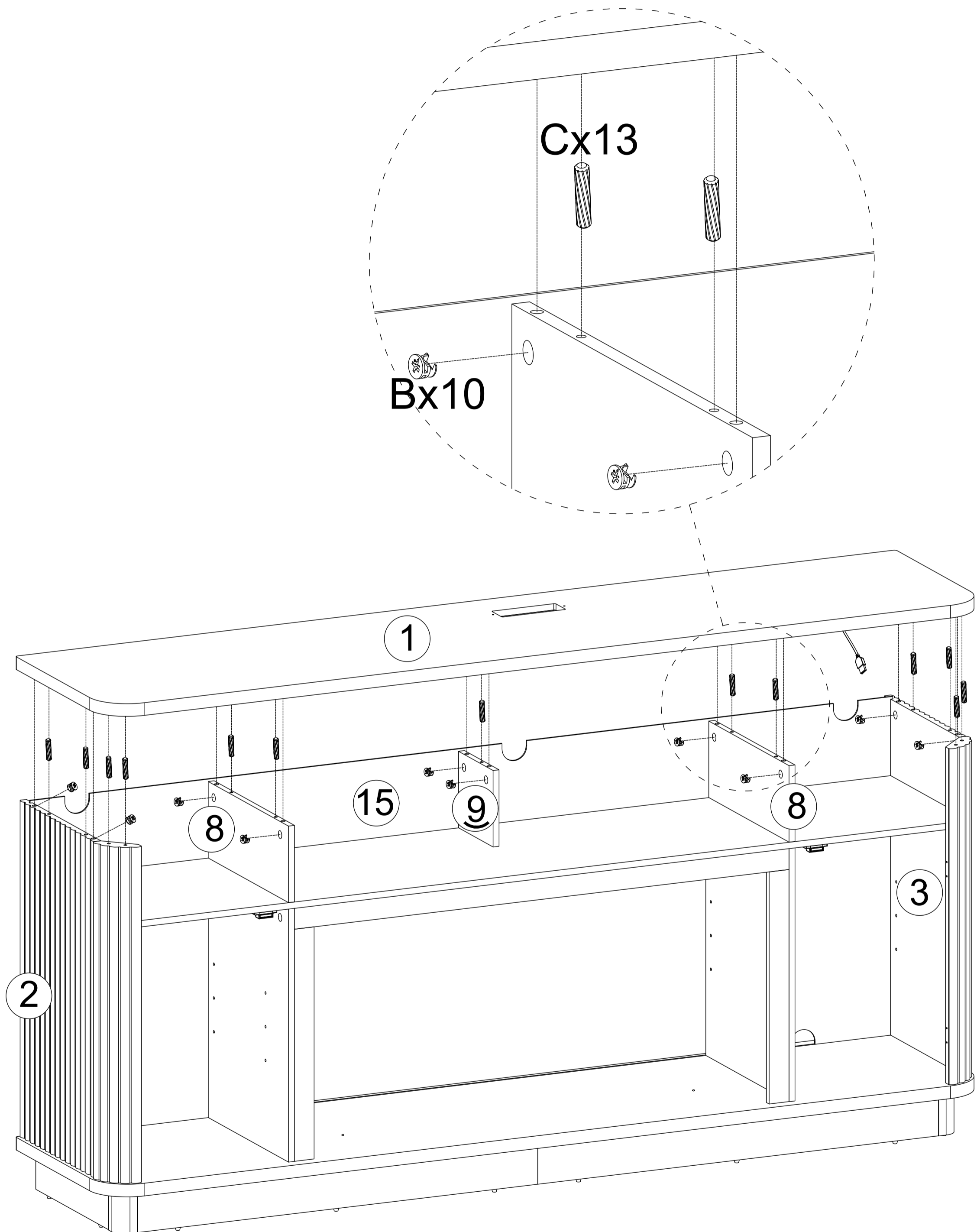
								
K	5PCS	L	5PCS	A	10PCS	GG	1PC	
				   				
P	2PCS	S	2PCS					



Assemble

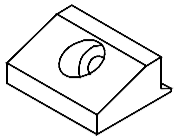
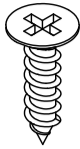
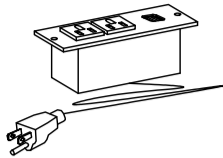

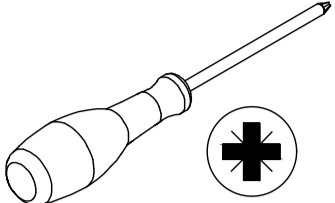

Step 15

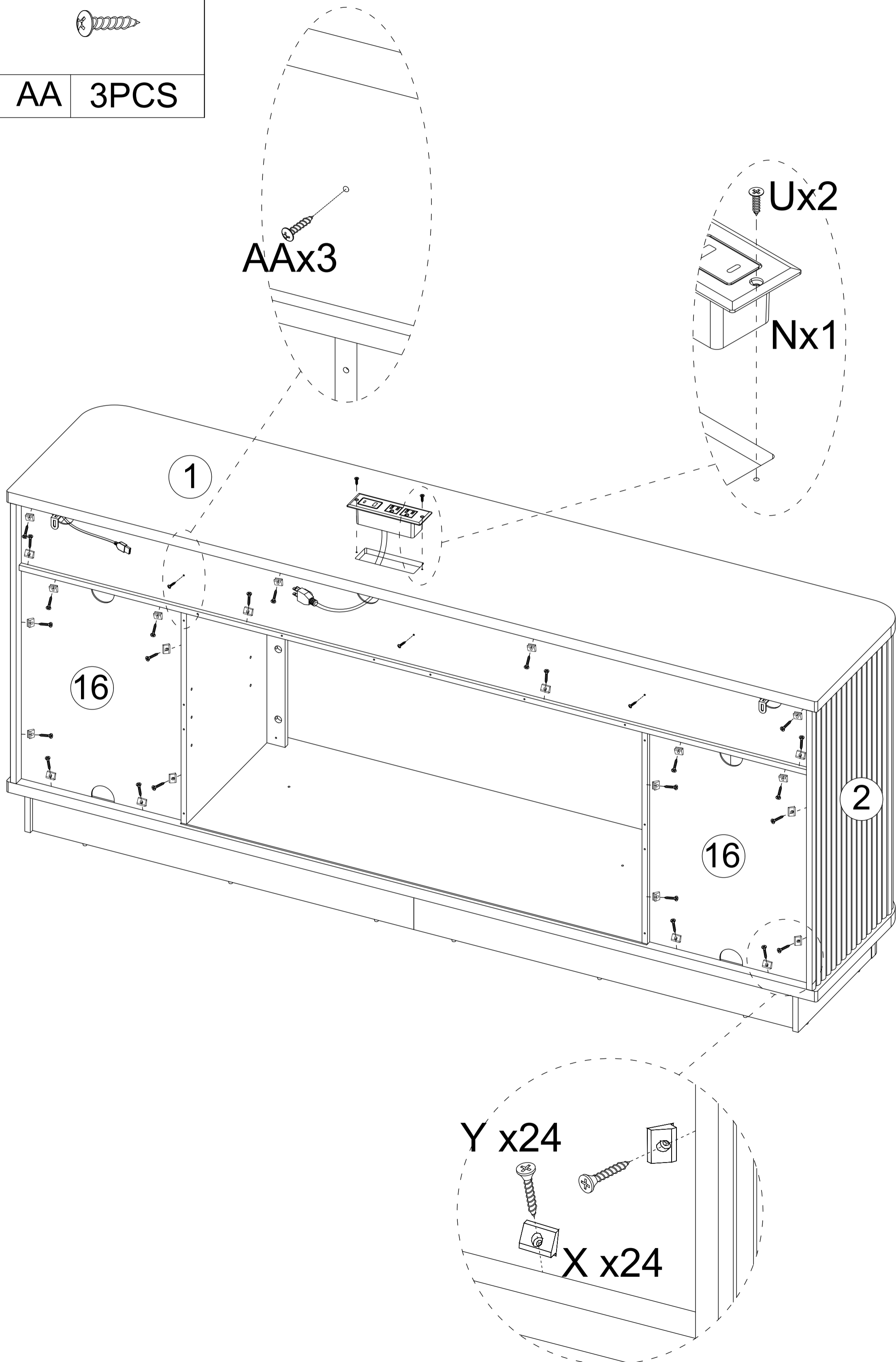
		
B 10PCS	C 13PCS	



Assemble

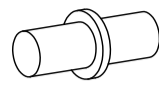
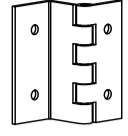

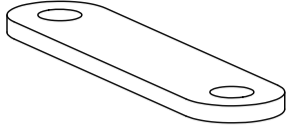
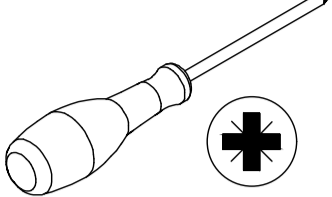

Step 16

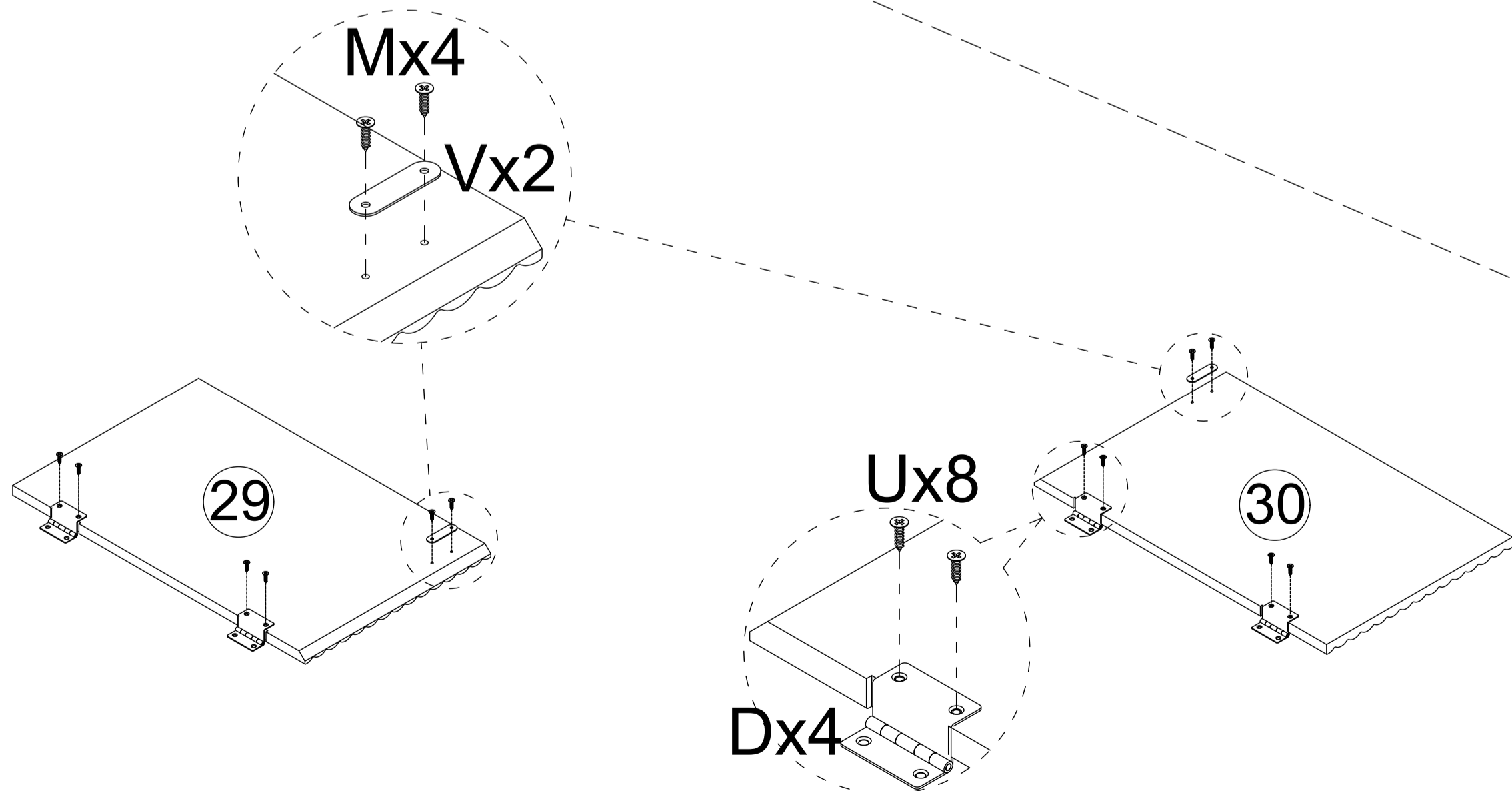
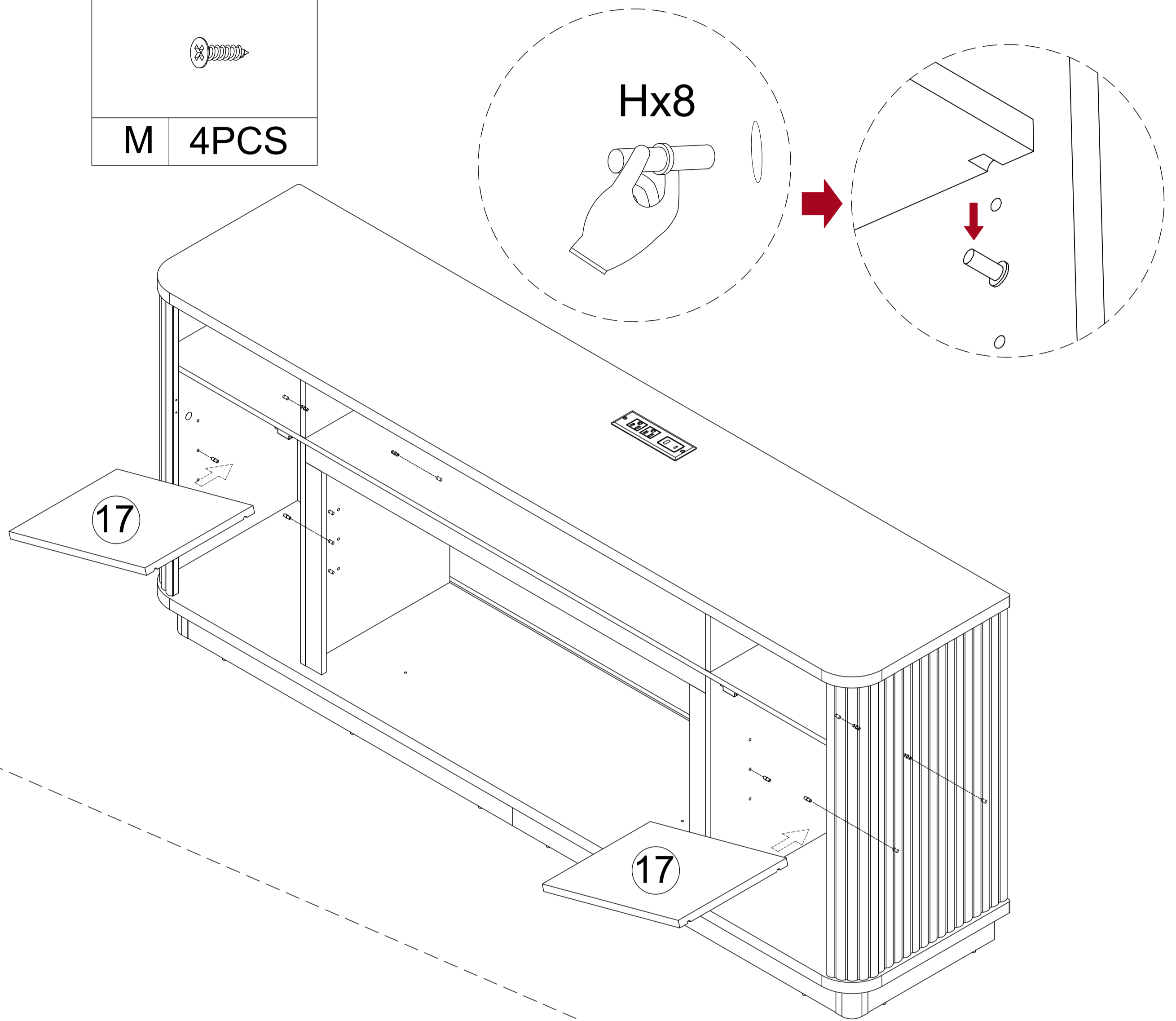
				
X 24PCS	Y 24PCS	N 1PC	U 2PCS	
				
AA 3PCS				



Assemble

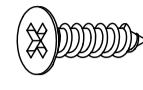
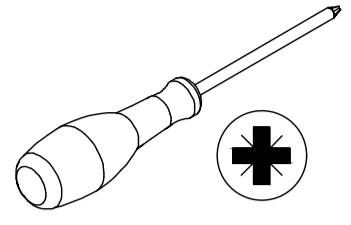
Step 17

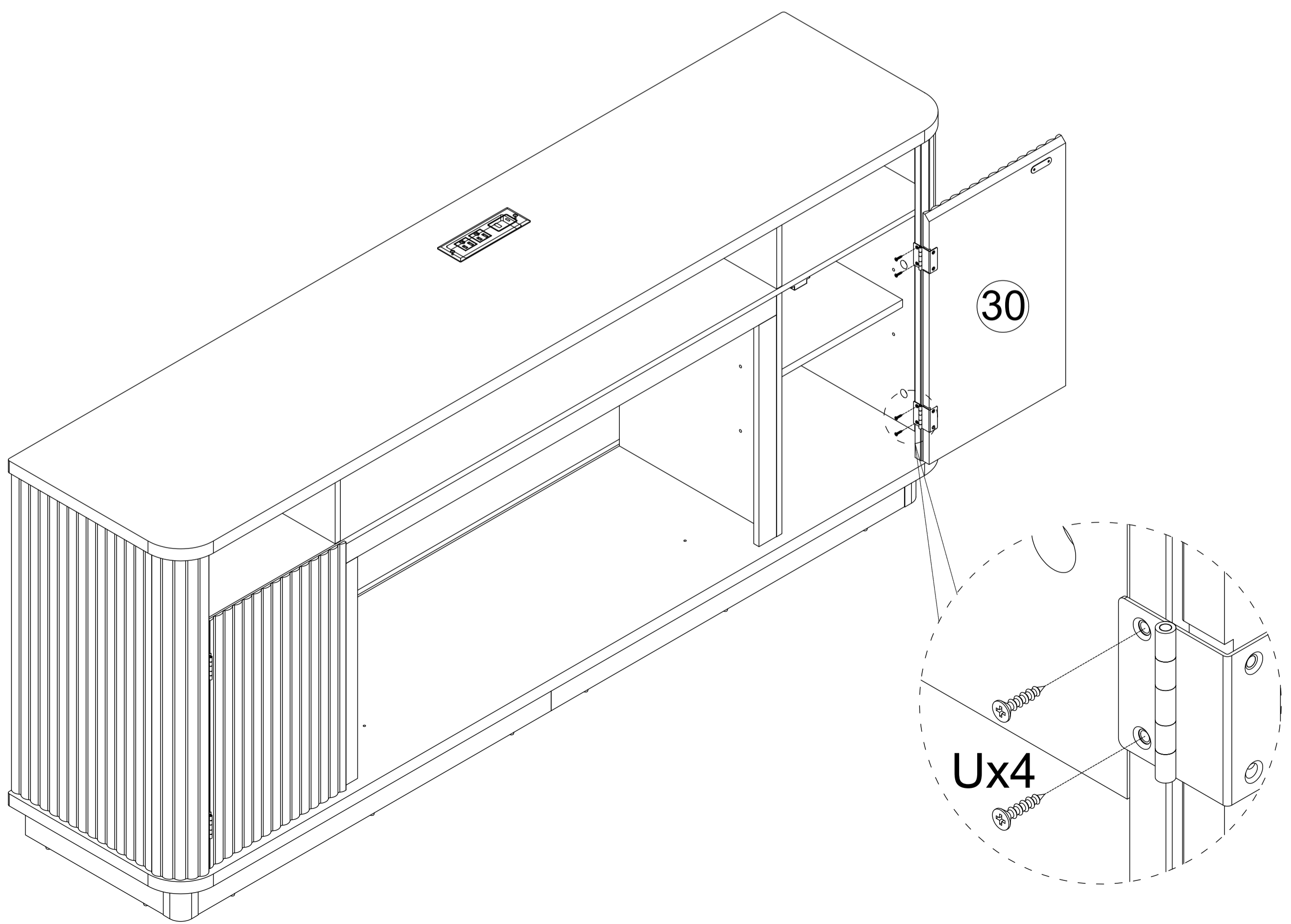
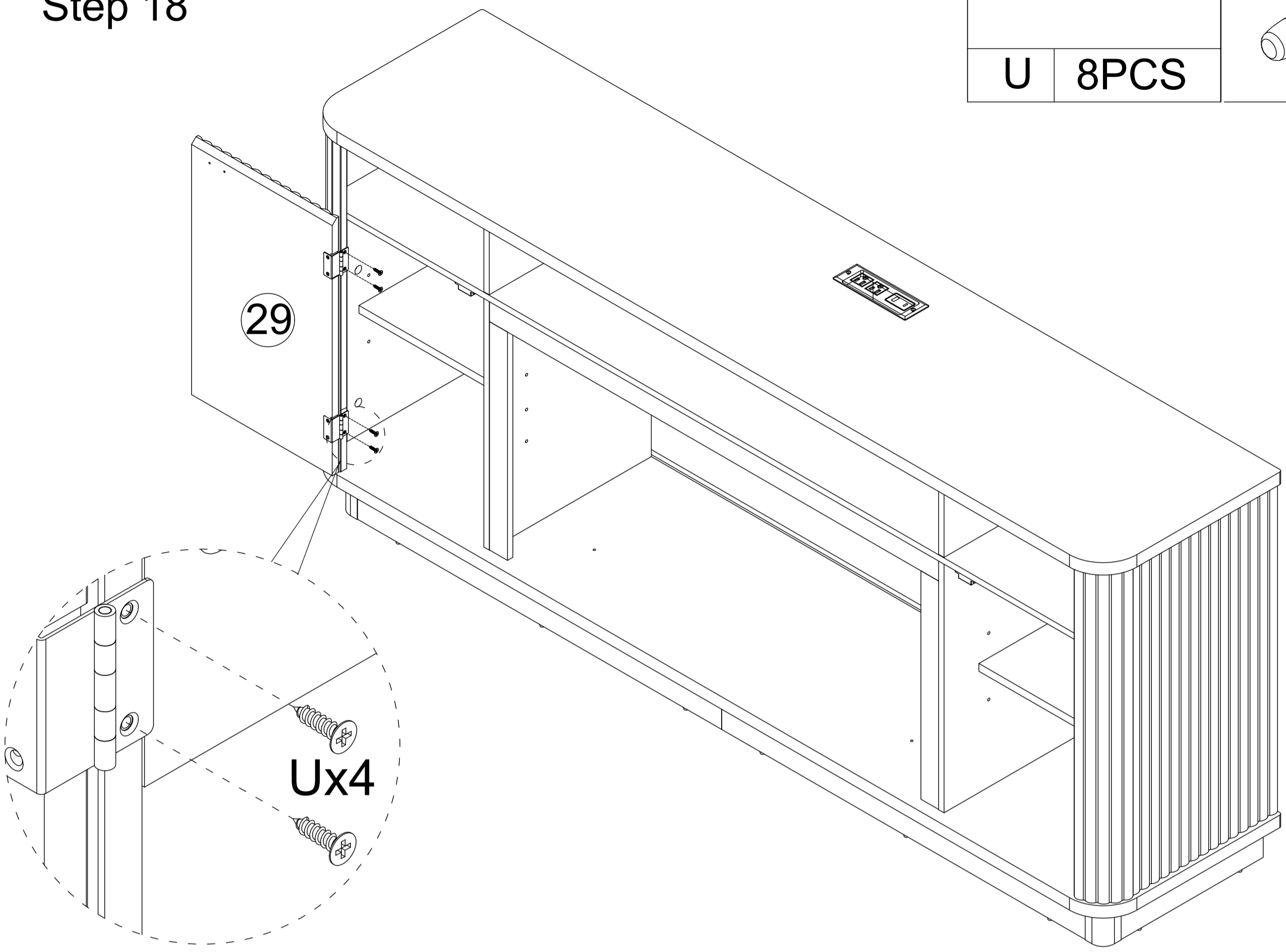
				
H 8PCS	D 4PCS	U 8PCS	V 2PCS	
				
M 4PCS				



Assemble

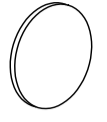
Step 18

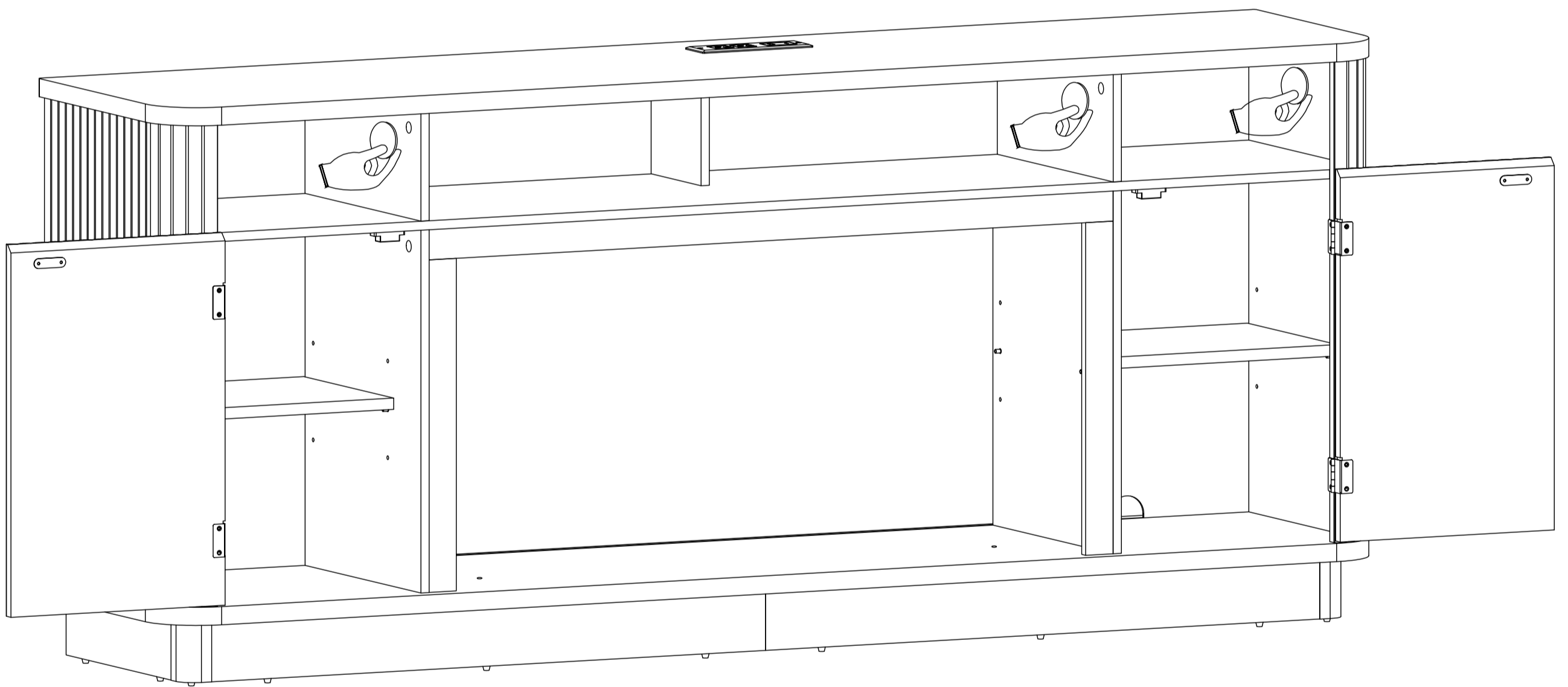
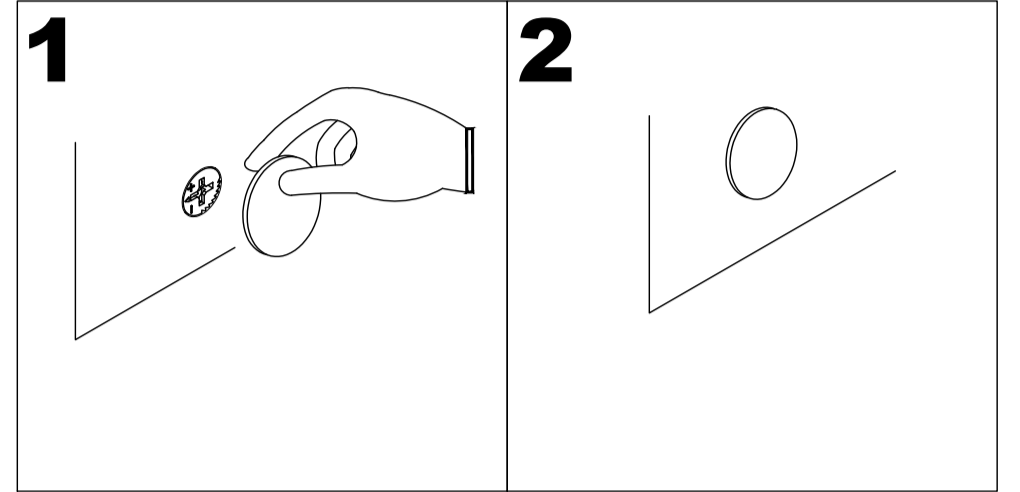
	
U	8PCS



Assemble

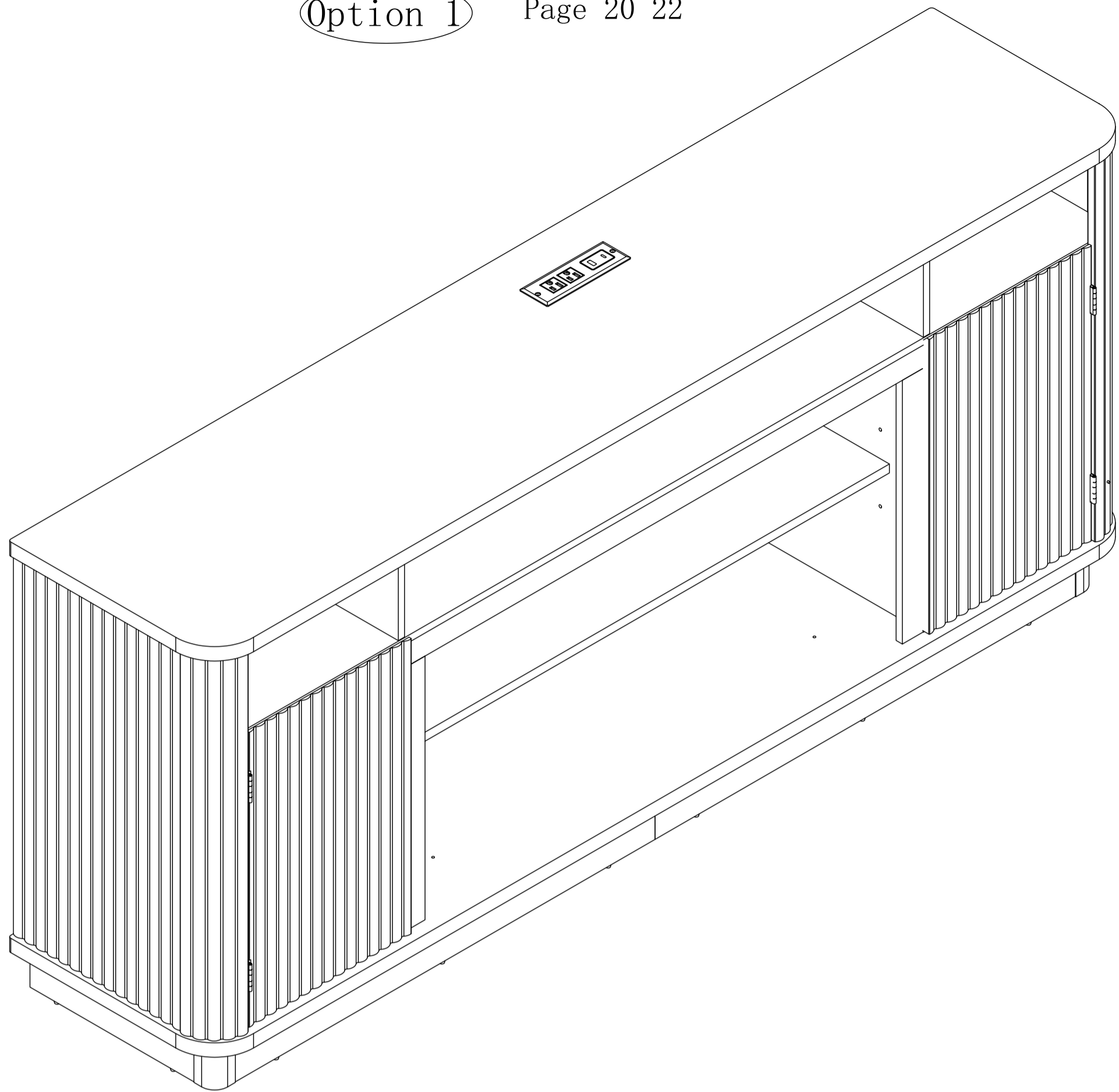
Step 19

	
Z	73PCS

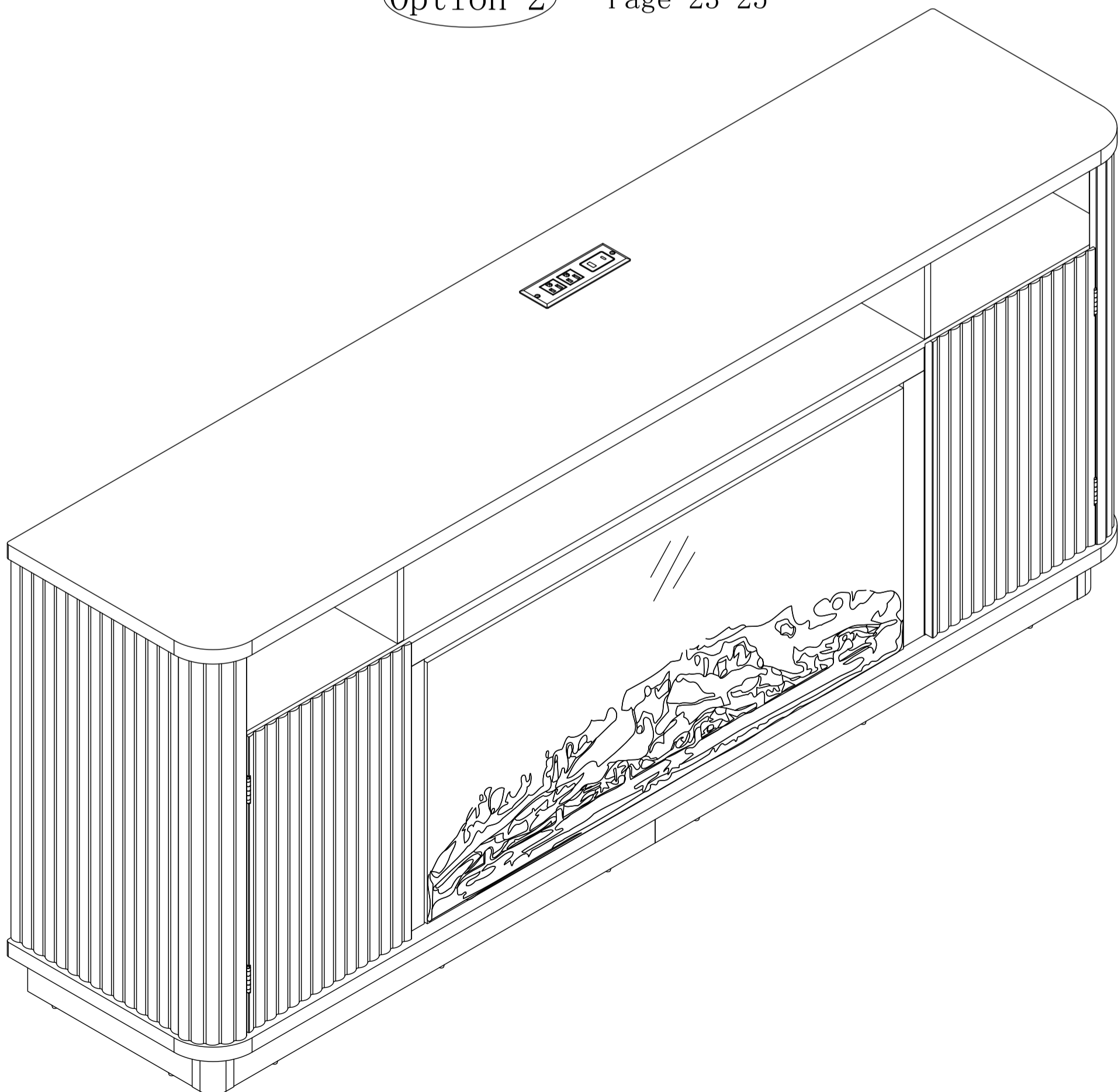


Assemble

Option 1 Page 20~22



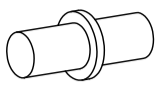
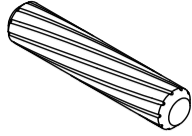
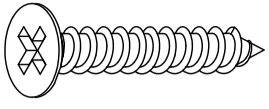
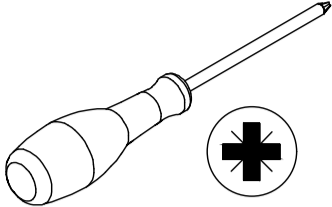
Option 2 Page 23~25

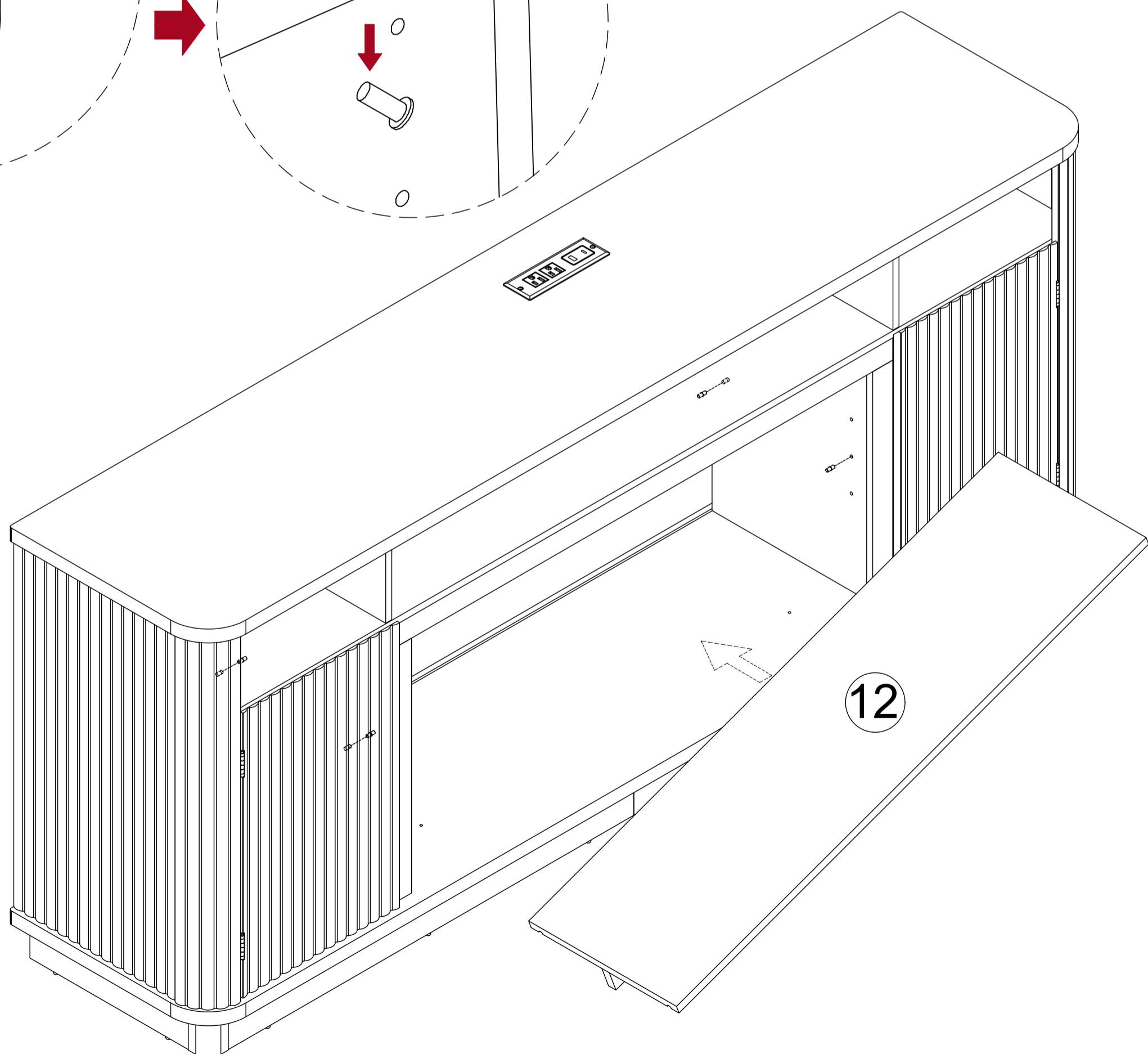
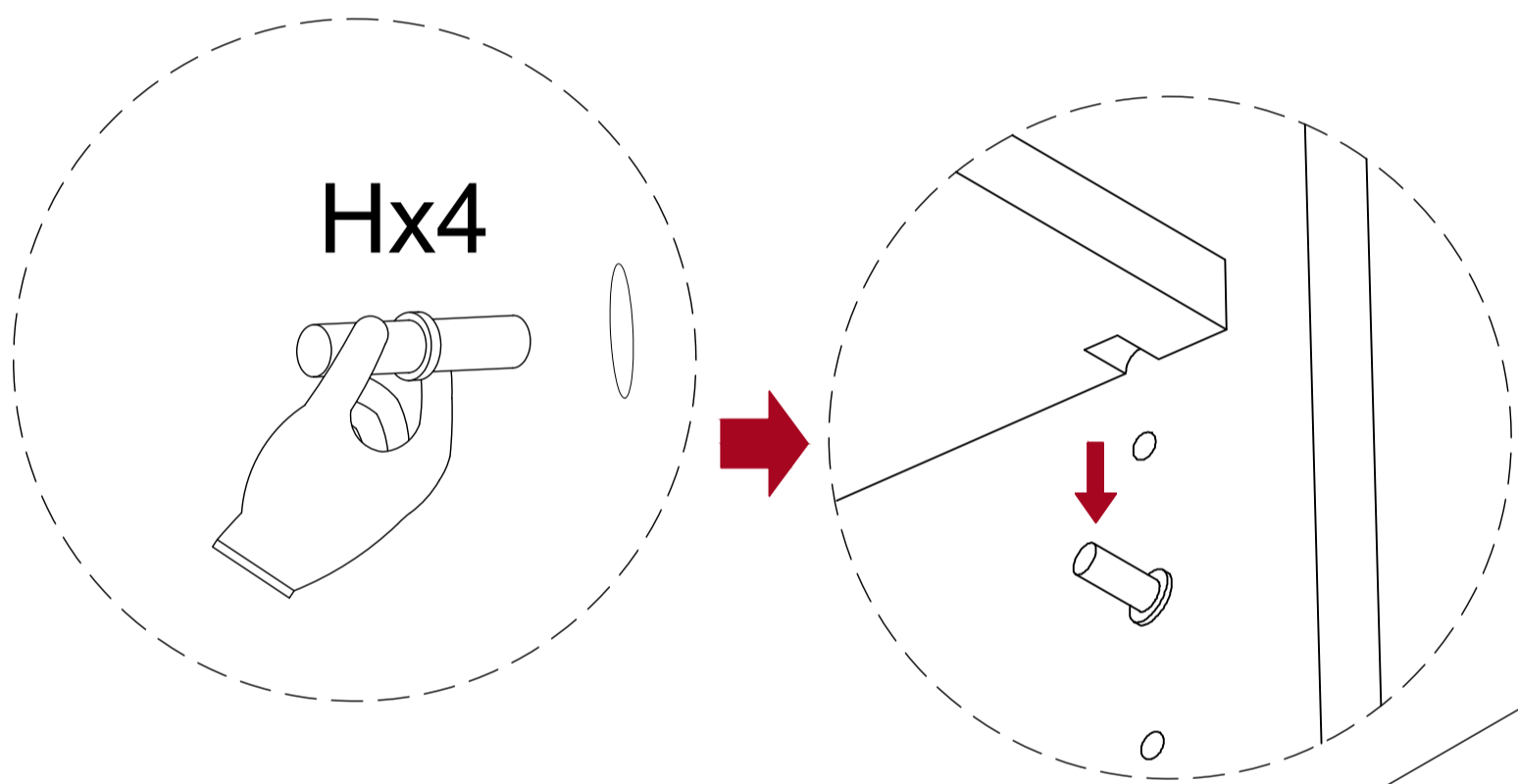
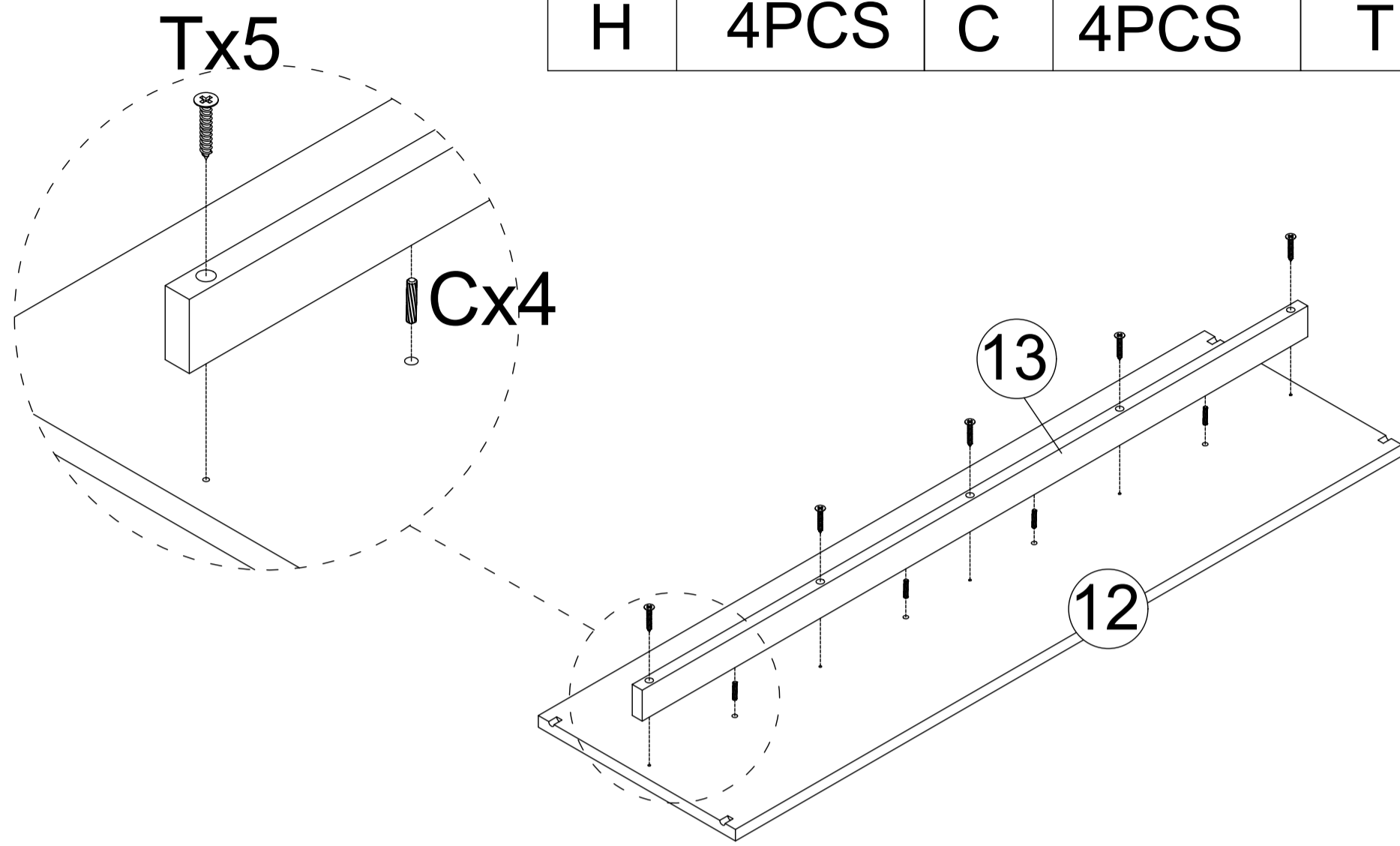


Assemble

Option 1

Step 20


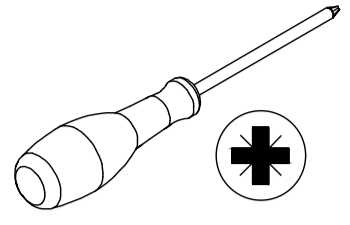
							
H	4PCS	C	4PCS	T	5PCS		

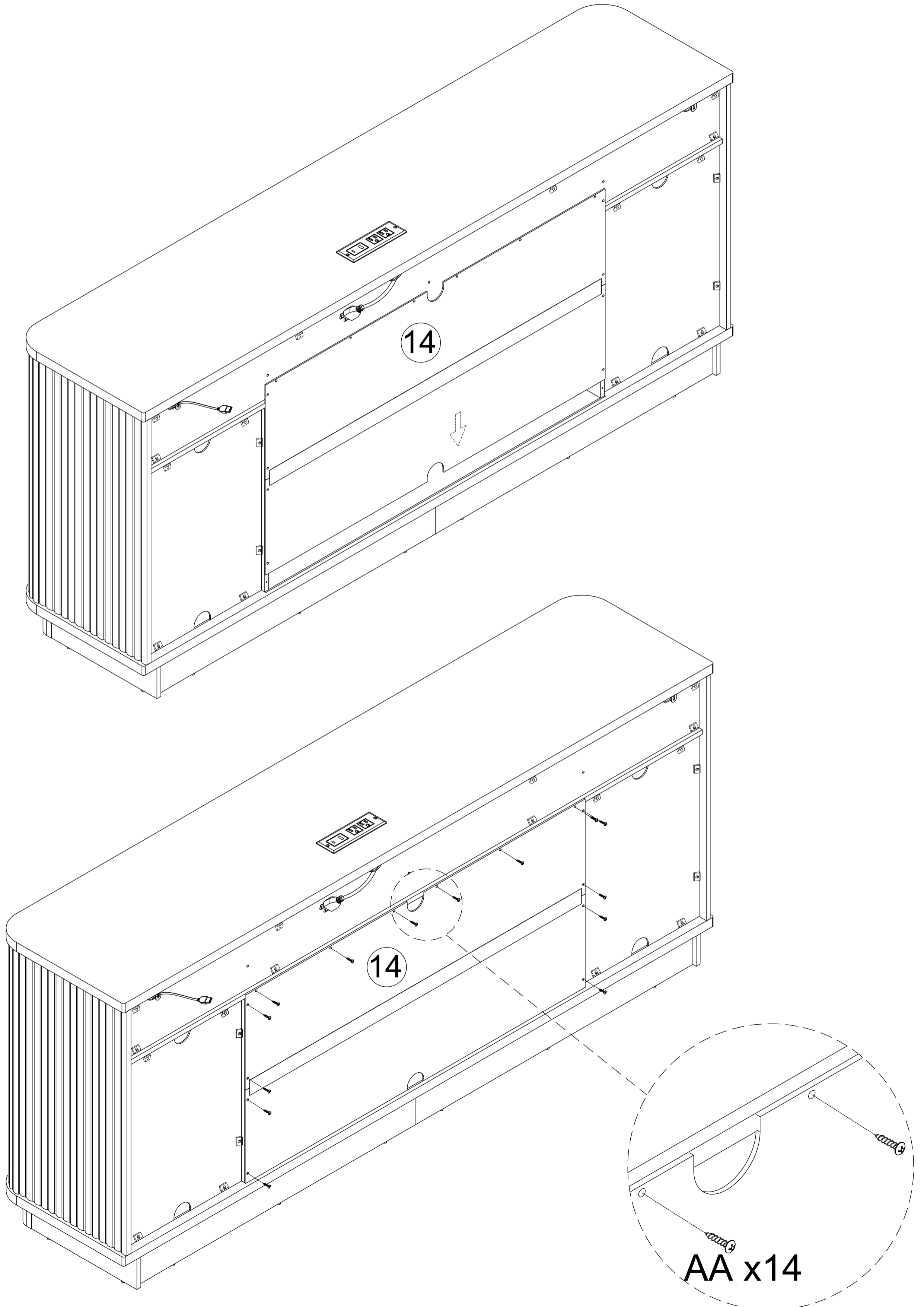


Assemble

Option 1

Step 21

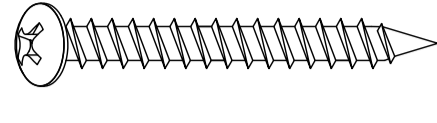
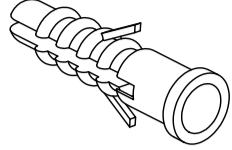
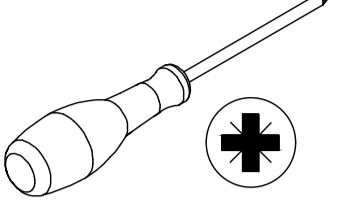

	
AA	14PCS



Assemble

Option 1

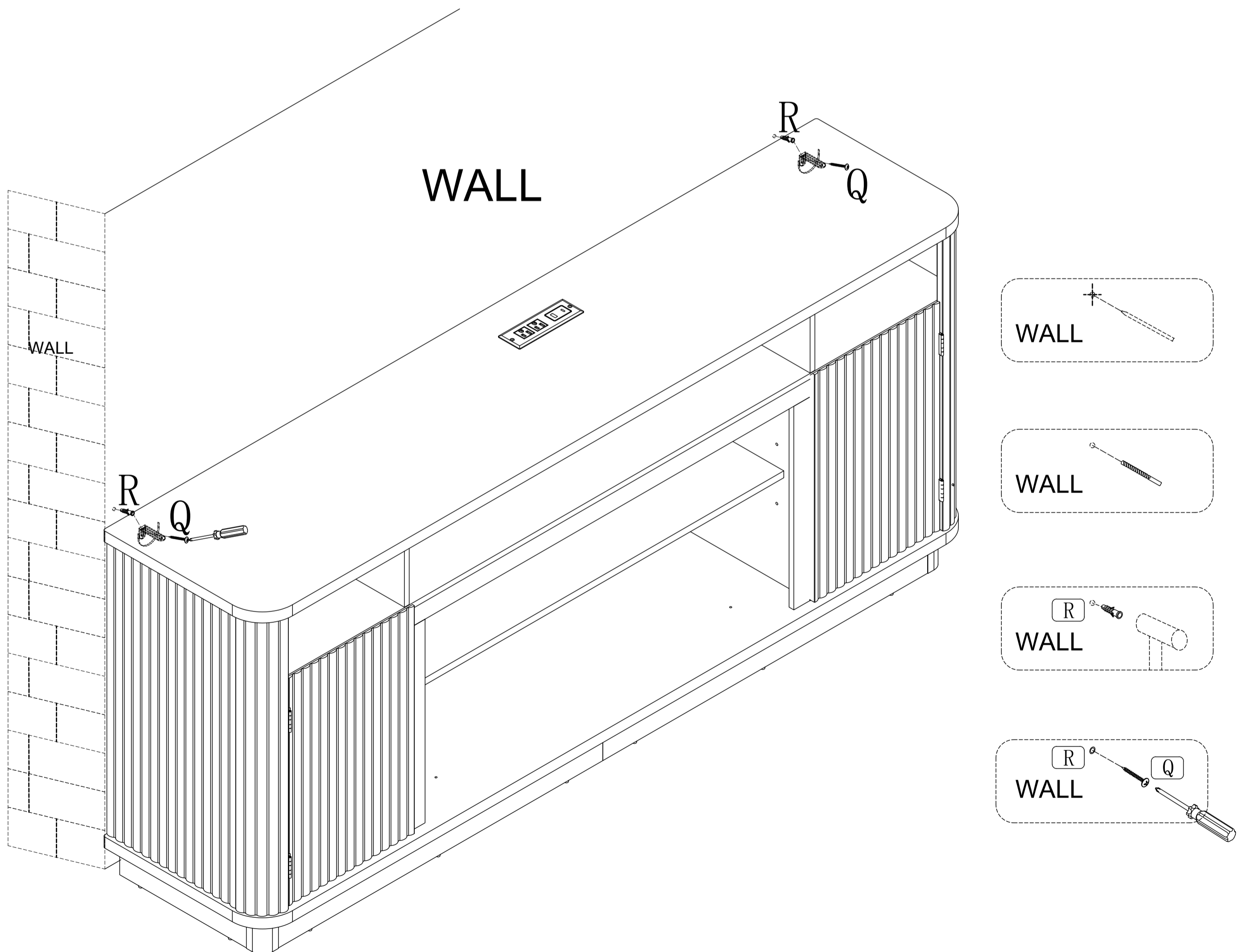
Step 22

		
Q 2PCS	R 2PCS	

⚠ Warning: If you overturn the furniture, it may cause serious or fatal crushing injuries.

We have a wall connection device attached, please use it to hold the furniture following these instructions.

1. Mark the corresponding hole positions where you want to place the furniture;
2. Use a impact drill to drill holes and pay attention to avoid wires and water pipes;
3. Knock the expansion pipes into the wall holes;
4. Place the furniture in the corresponding position and tighten the wall connection device with screws.

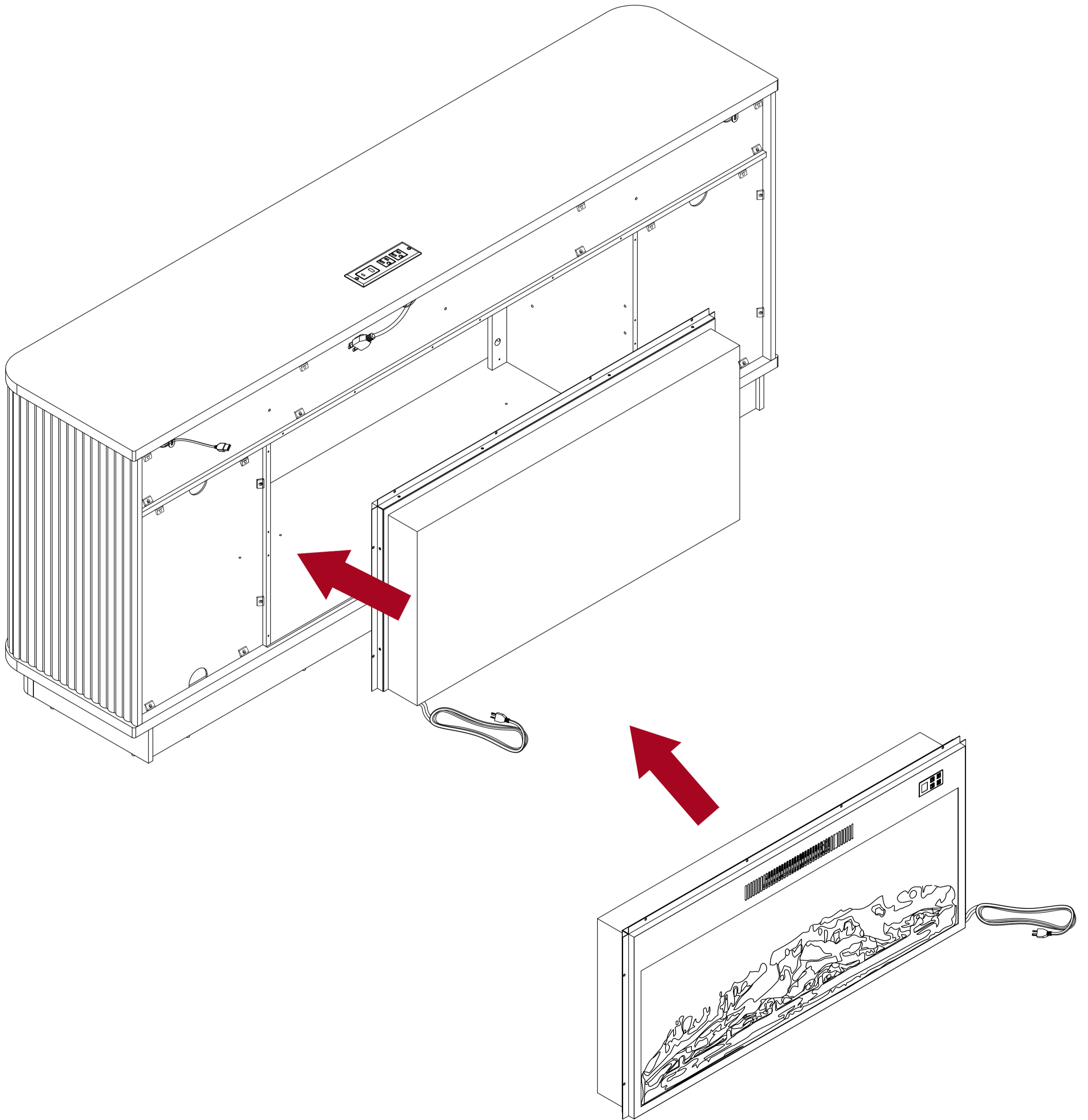


Installation Completed

Assemble

Option 2

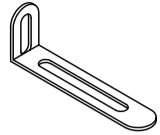

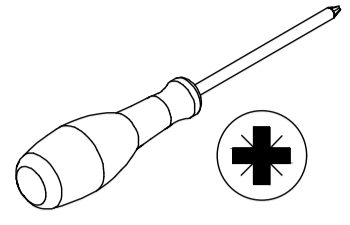
Step 23

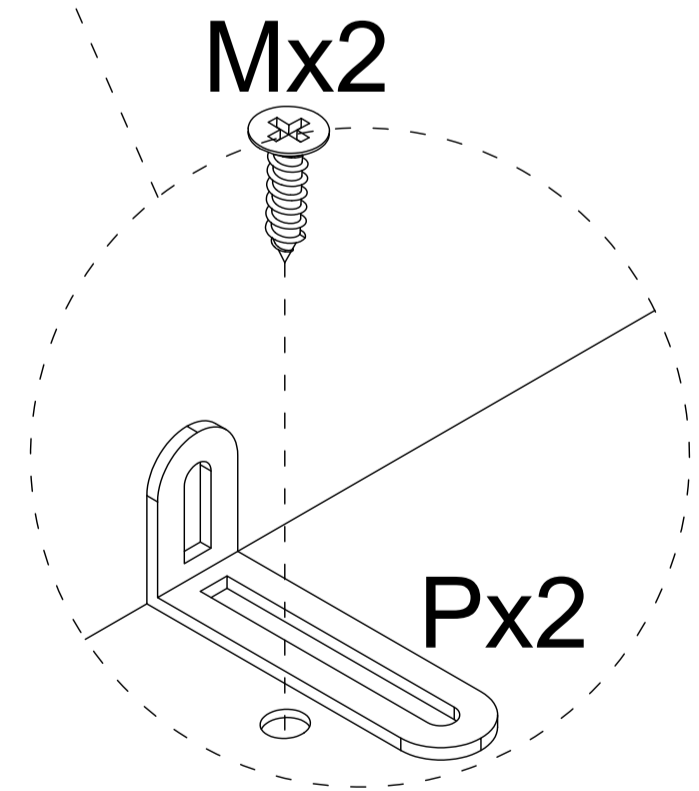
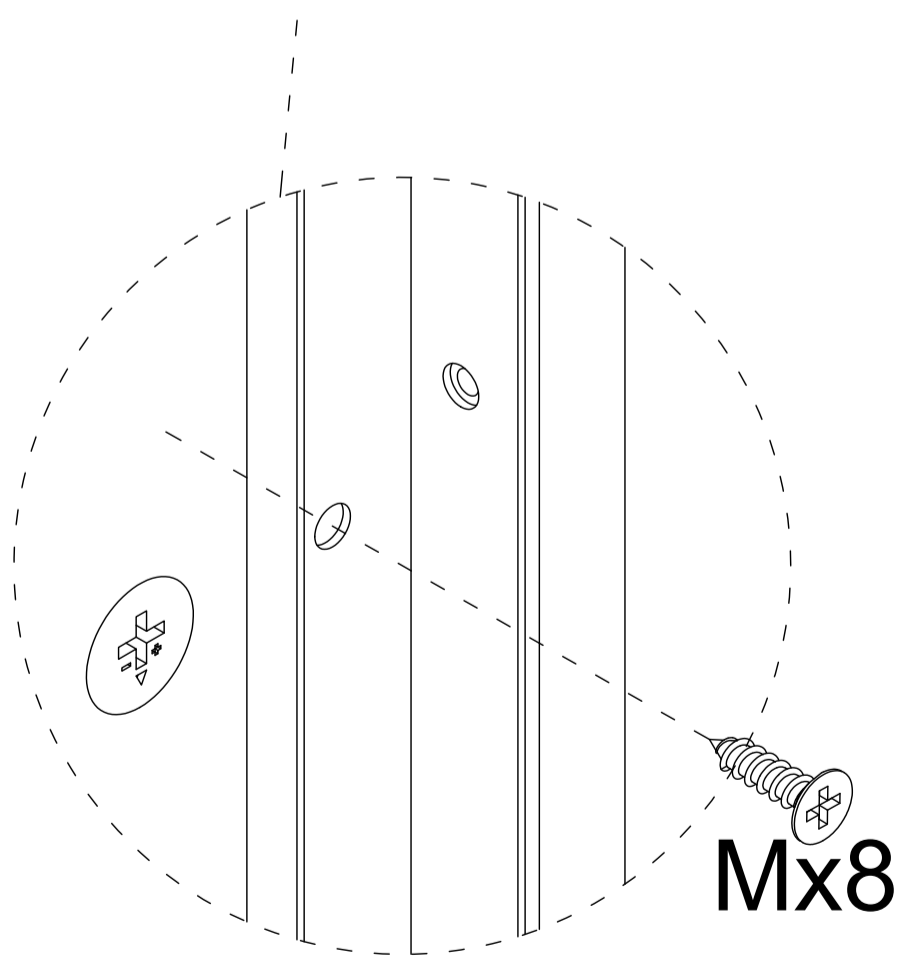
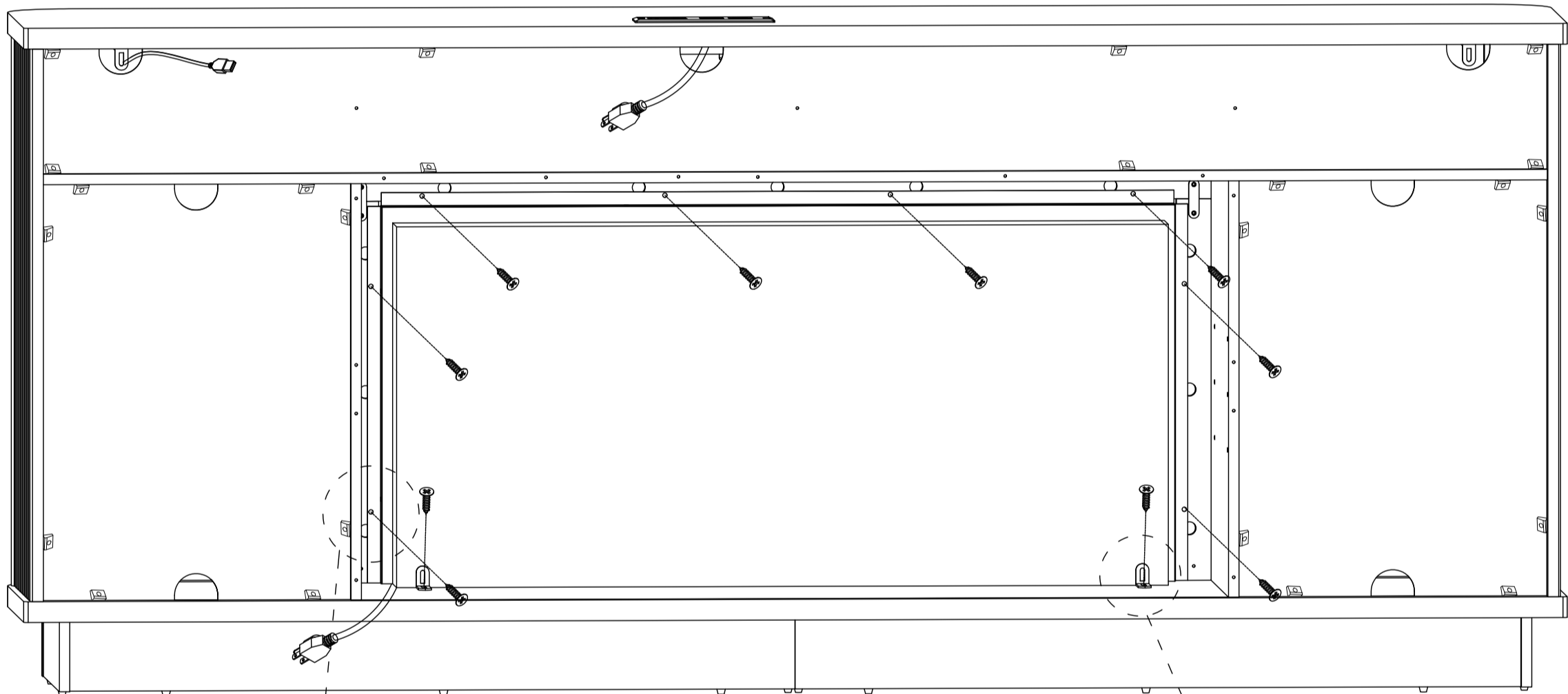


Assemble

Option 2

Step 24

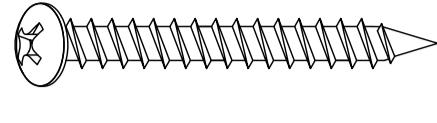
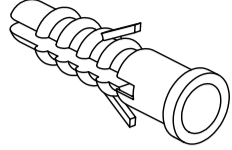
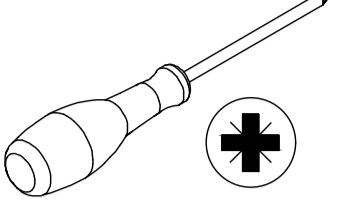

				
P	2PCS	M	10PCS	



Assemble

Option 2

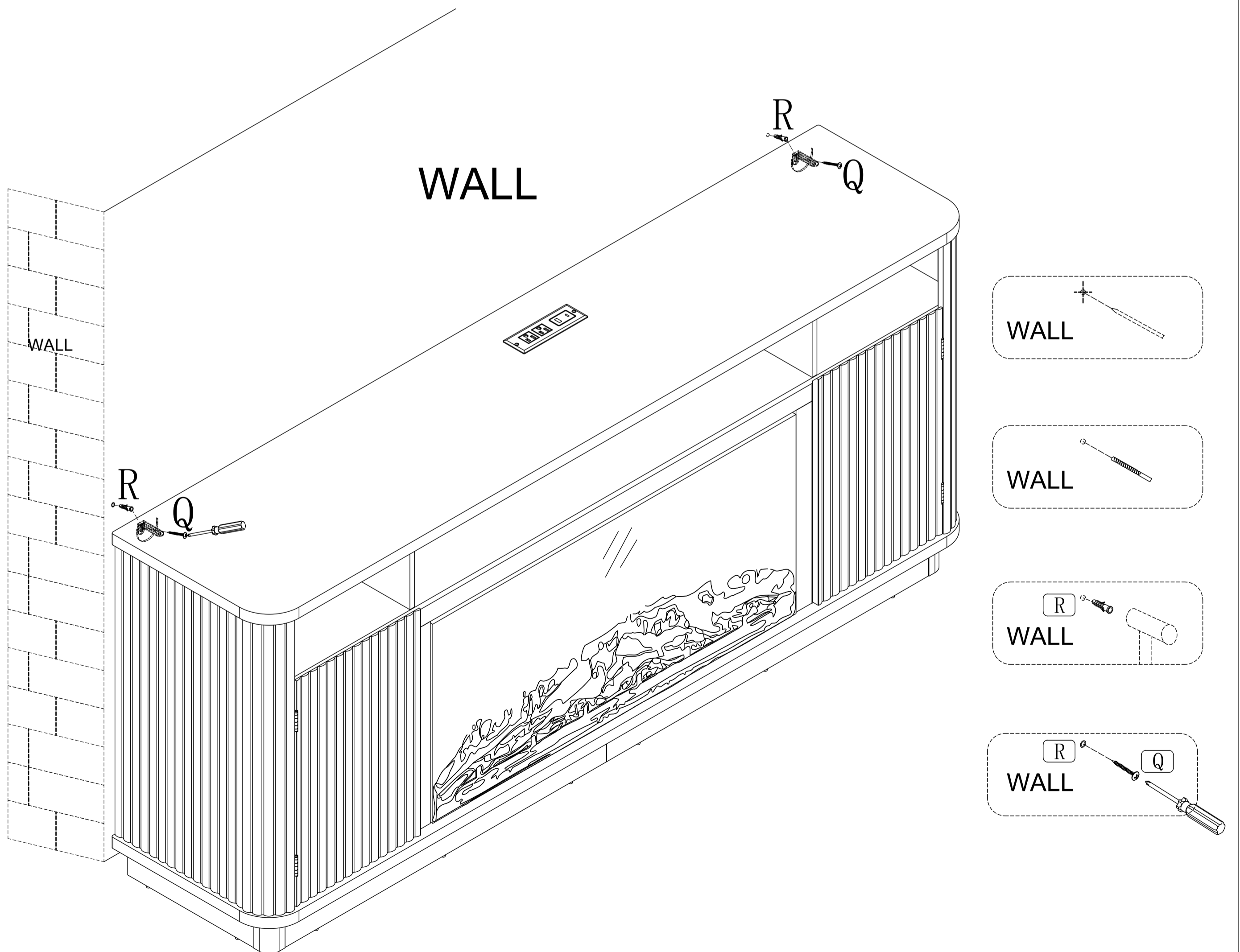
Step 25

		
Q 2PCS	R 2PCS	

⚠ Warning: If you overturn the furniture, it may cause serious or fatal crushing injuries.

We have a wall connection device attached, please use it to hold the furniture following these instructions.

1. Mark the corresponding hole positions where you want to place the furniture;
2. Use a impact drill to drill holes and pay attention to avoid wires and water pipes;
3. Knock the expansion pipes into the wall holes;
4. Place the furniture in the corresponding position and tighten the wall connection device with screws.



Installation Completed

- a) The statement "Ensure the batteries are installed correctly according to polarity (+ and -).
- b) The statement "Do not mix old and new batteries, different brands or types of batteries, such as alkaline, carbon-zinc, or rechargeable batteries.
- c) The statement "Remove and immediately recycle or dispose of batteries from equipment noused for an exiended period of time according to local regulations."
- d) The statement "Always completely secure the battery compartment, If the battery compartmendoes not close securely, stop using the product, remove the batteries, and keep them away from children."