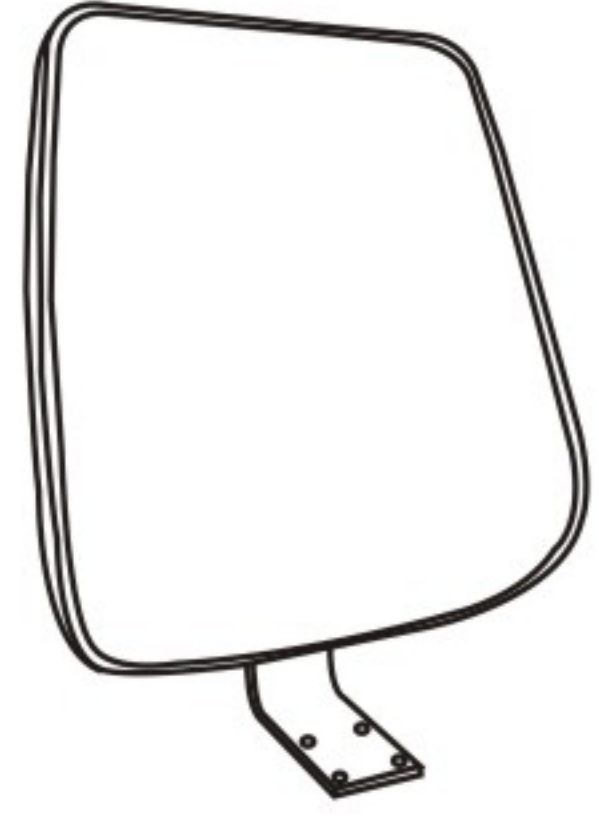


# ASSEMBLING INSTRUCTION

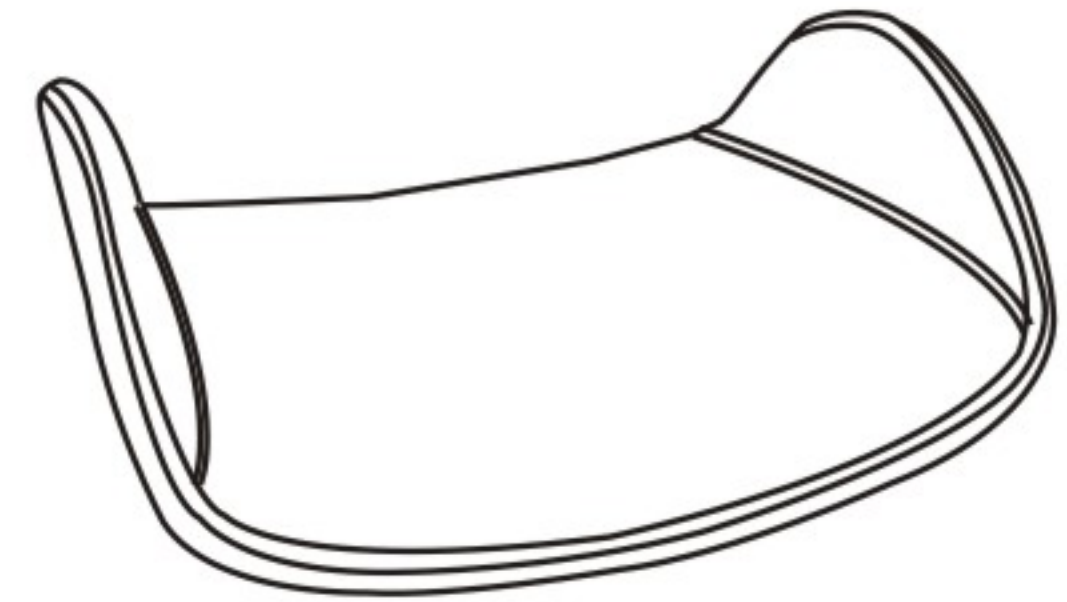
Ax1



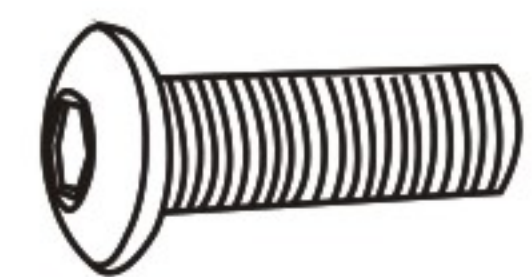
Gx5



Bx1

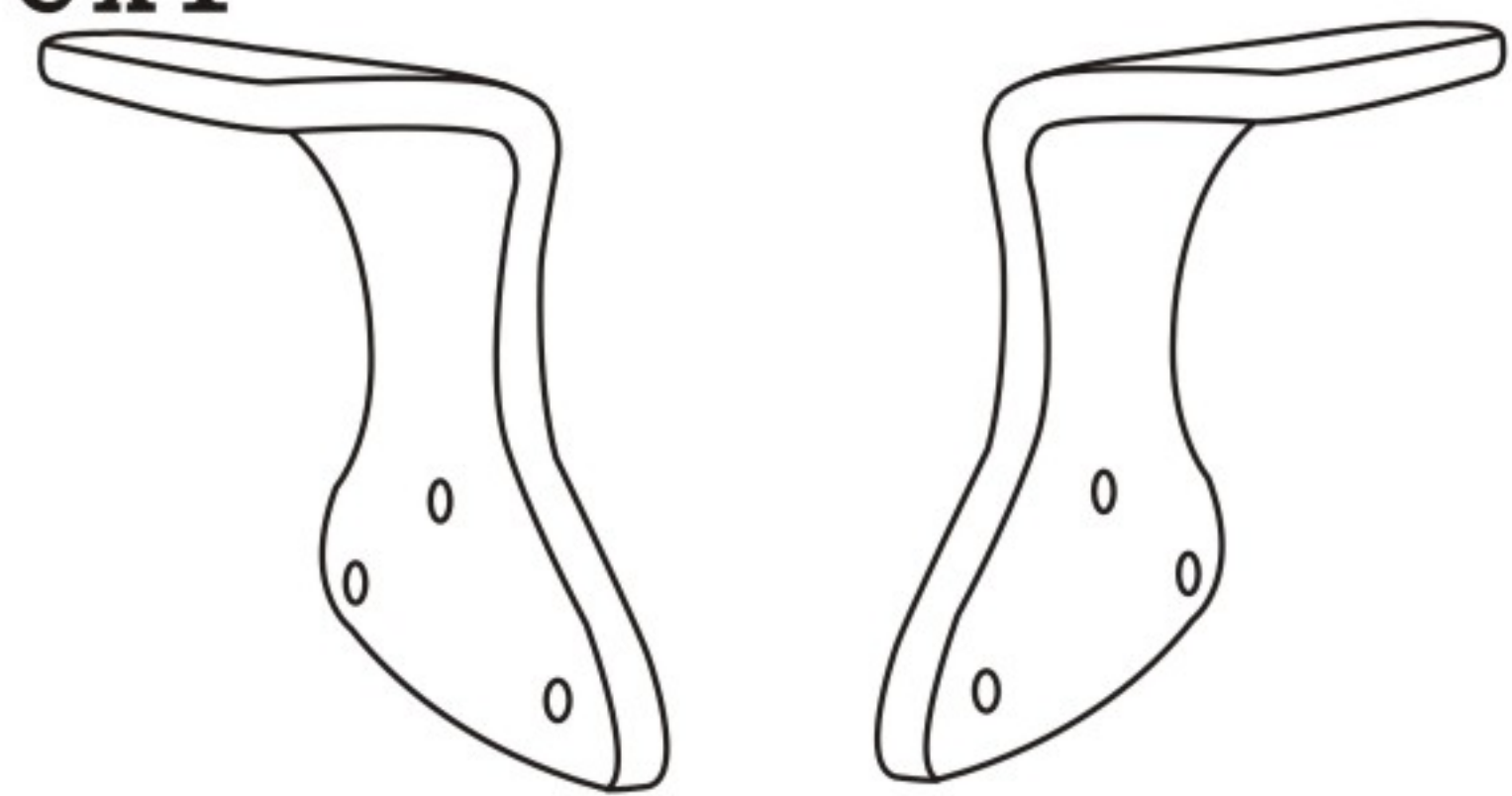


Hx4

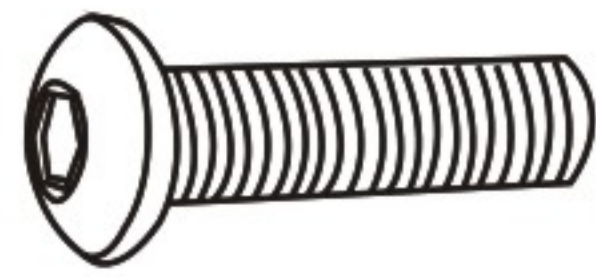


M6x20mm

Cx1

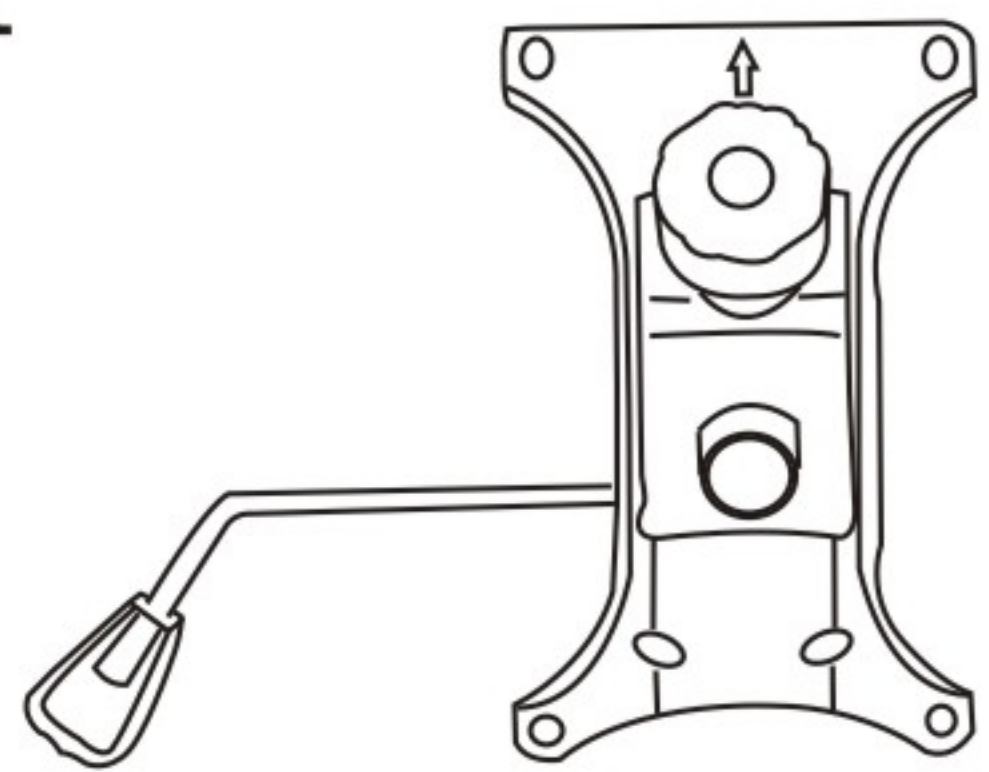


Ix4

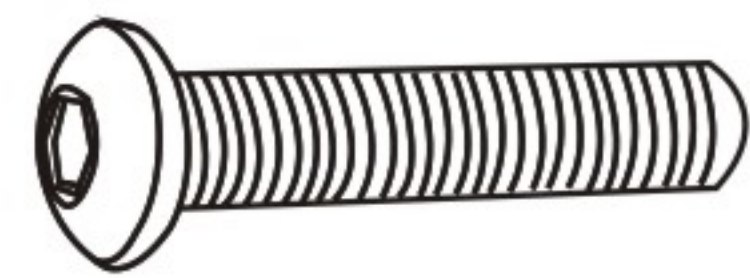


M6x25mm

Dx1

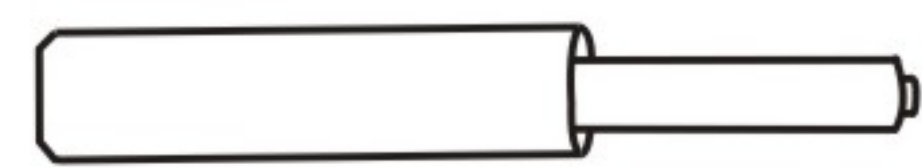


Jx6



M6x35mm

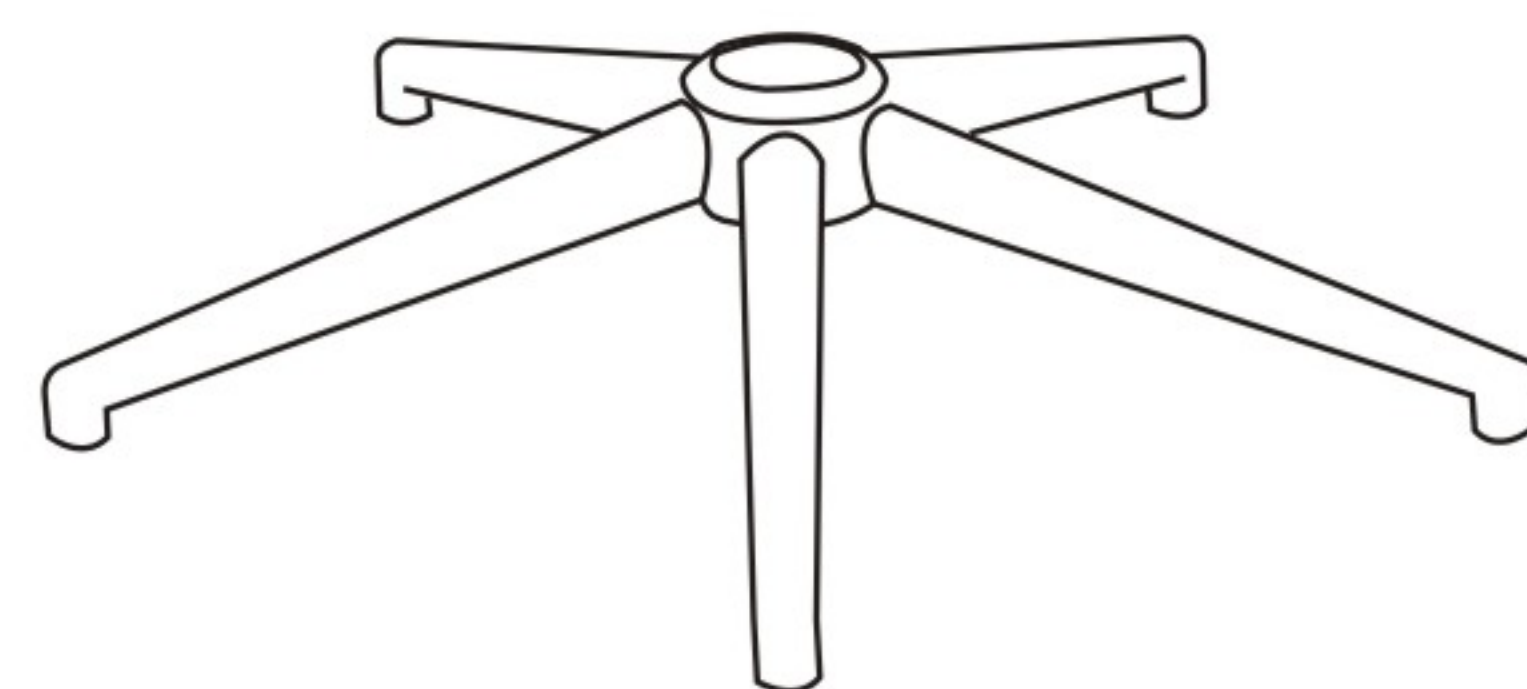
Ex1



Kx6



Fx1



Lx1

