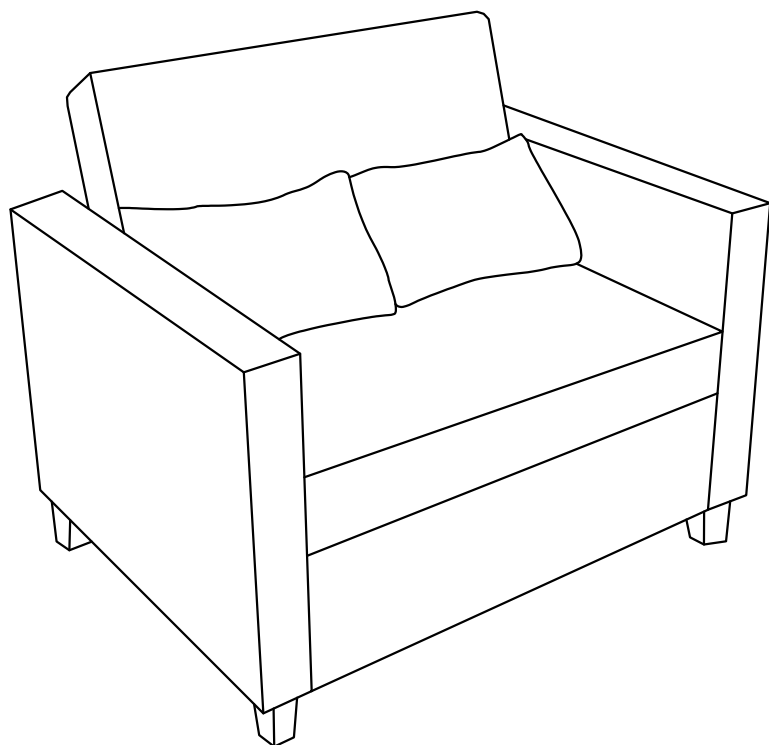

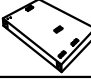

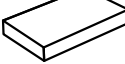









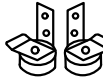









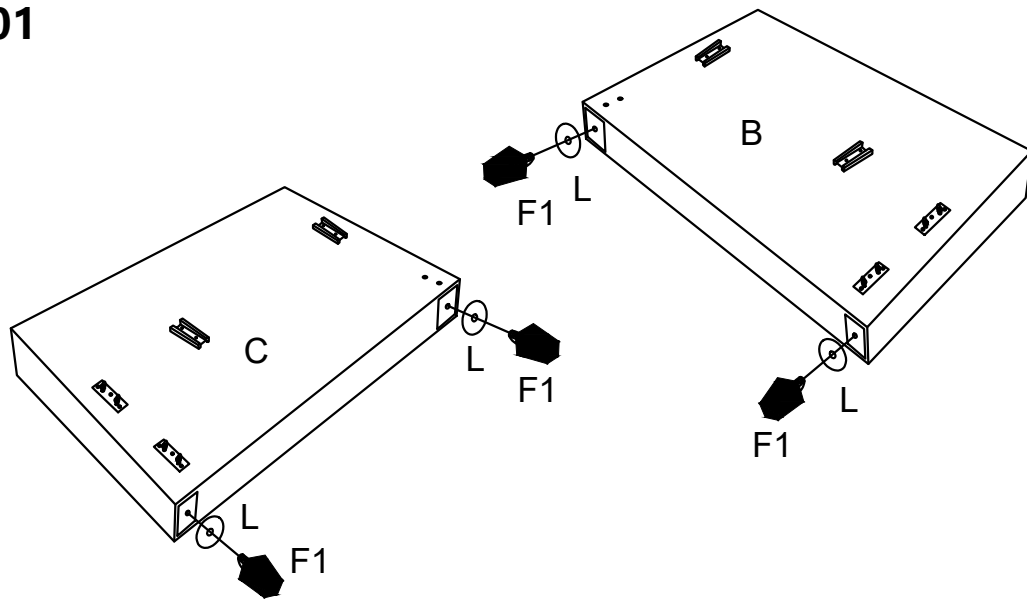
# TG052 Assembly Instructions



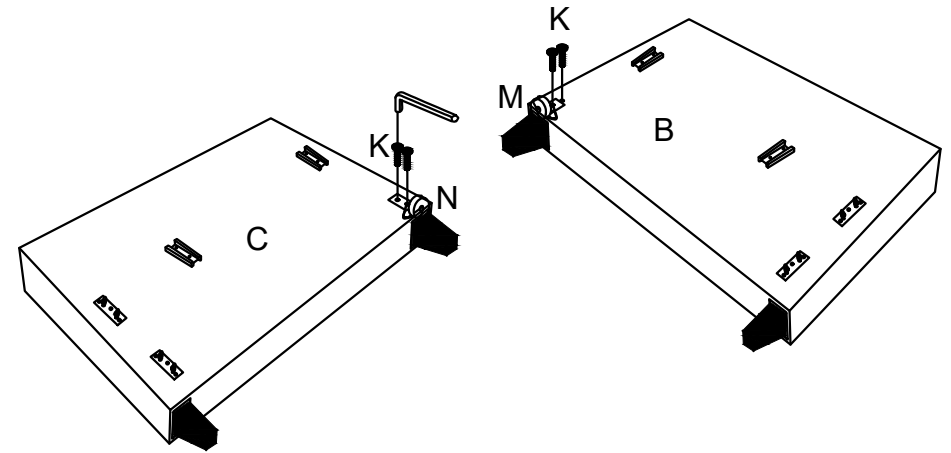
1. If there is dirt on the leather, wipe it with a clean wet sponge dipped in mild detergent, and then let it dry naturally. Try it in an inconspicuous corner before use.
2. Avoid dust, moisture and dirt. If it is wet by rain or water, it should be wiped off quickly with a towel or clean cloth, and then placed in a ventilated place to dry to avoid mold.
3. For general dust, just wipe it with a dry cotton cloth. If there is dirt, wipe the stain with a soft cloth dipped in egg white to remove annoying stains. Please avoid using a brush to clean, which will cause the color pigment fixed on the surface to be brushed off.

## PARTS LIST

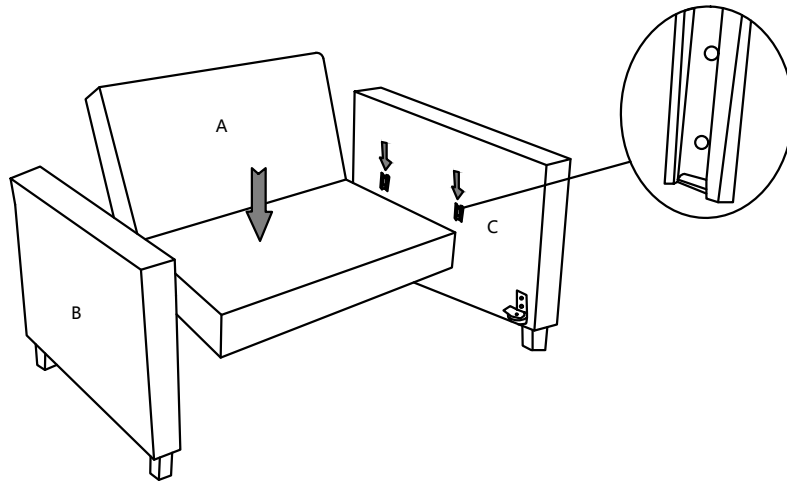
NO	DESCRIPTION	SKETCH	QTY
A	seat bag		1
B	Right armrest		1
C	Left armrest		1
D	Bed tail		1
E	Pillow		2
F1	Sofa leg		4
F2	Sofa leg		4
G	Sofa front panel		1
H	Sofa rear panel		1
I		 K, (M6*12mm*4)  J, (M6*16mm*12)  U, (M6*20mm*4)  Q, (M8*16mm*4)  N, (Right pulley accessory*1)  M, (Left pulley accessory*1)  O, (M4 Allen wrench*1)  P, (M5 Allen wrench*1)  L, (Circular gasket*4)	
R	Bed tail iron frame		1
S	Left lifting accessories		1
T	Right lifting accessories		1

**01**

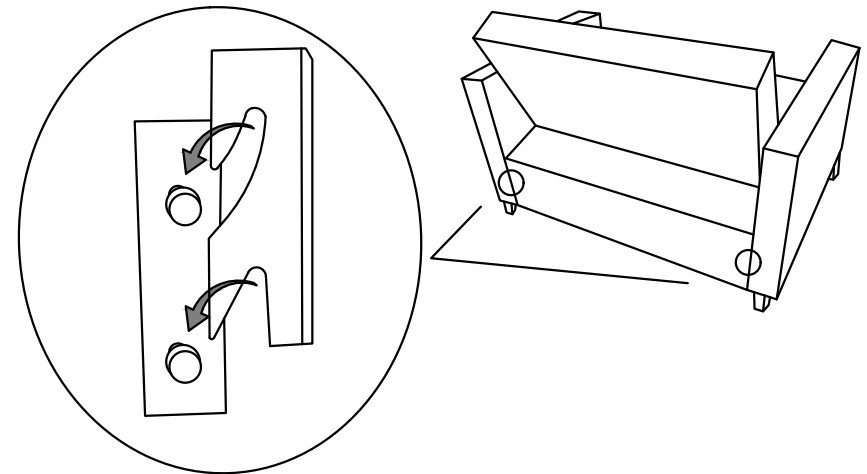
Please place the Circular gasket (L) on Sofa leg (F) and install it on Right and Left armrest (B) ( C )

**02**

Please place the screws (K) on the Left pulley accessory (M) and Right pulley accessory (N), and then install them on the left and right armrest (B) (C) by using m4 allen wrench (O)

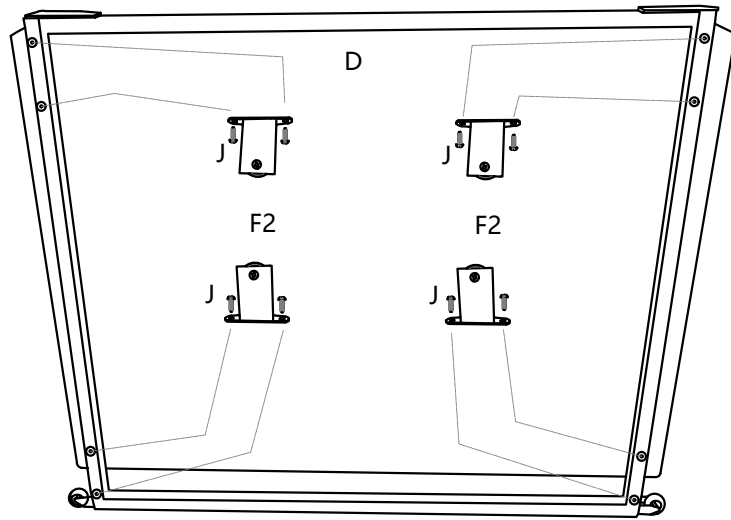
**03**

Suggest two people to install, lift the armrest (B) and armrest (C) vertically, insert the seat bag (A) into the armrest, and ensure that it is inserted into the bottom of the buckle

**04**

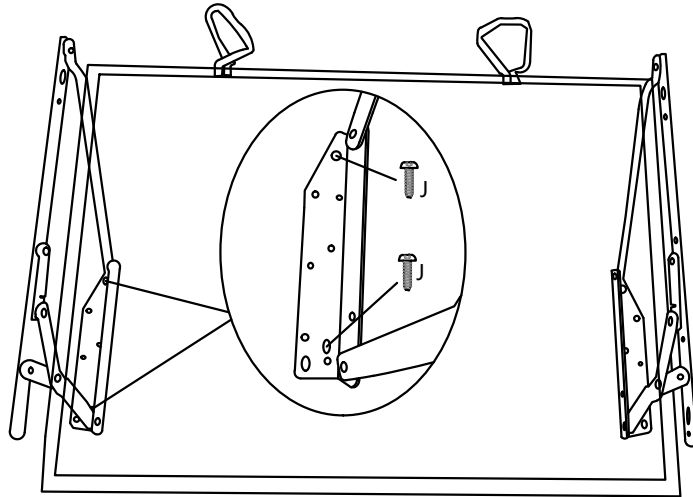
Insert the Sofa rear panel (H) into the buckle of the armrests B and C, and ensure that it is inserted into the bottom of the buckle

05



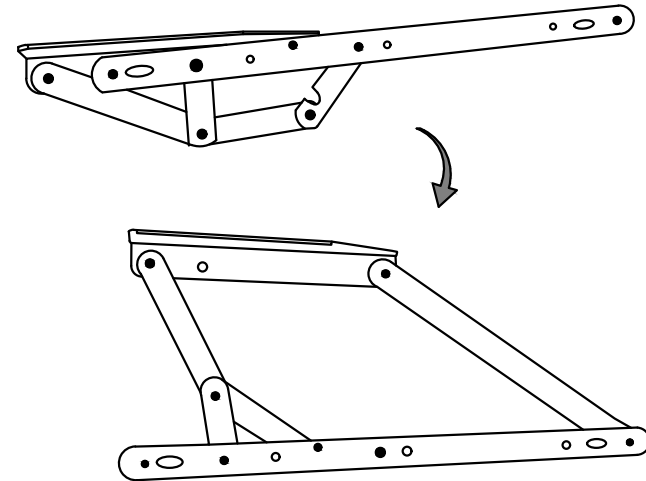
We will flip the bed tail (D) Use an Allen wrench (O) for installation Screw (J) and sofa leg (F2),

07



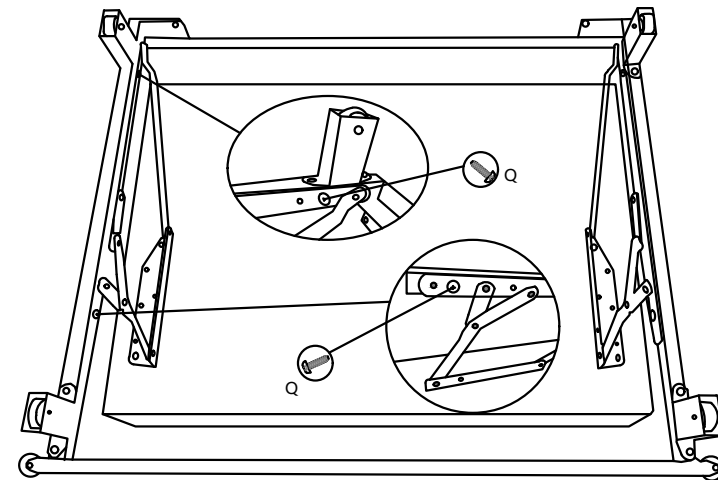
Use screws M6 \* 16mm (J) to connect the Left lifting accessories (S) and Right fitting accessories (T) to the Bed tail(D) Install with M4 Allen wrench (O)

06

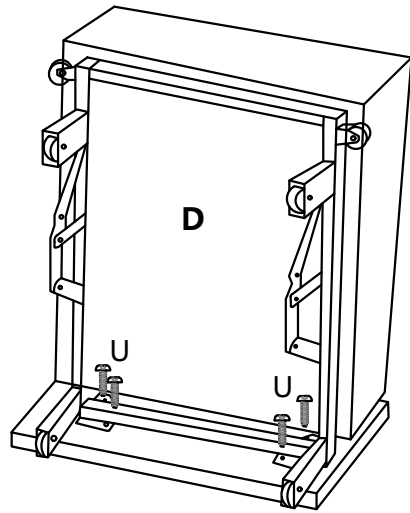


For ease of installation, you can open Left lifting accessories (S) and Right if accessories (T) to the following states

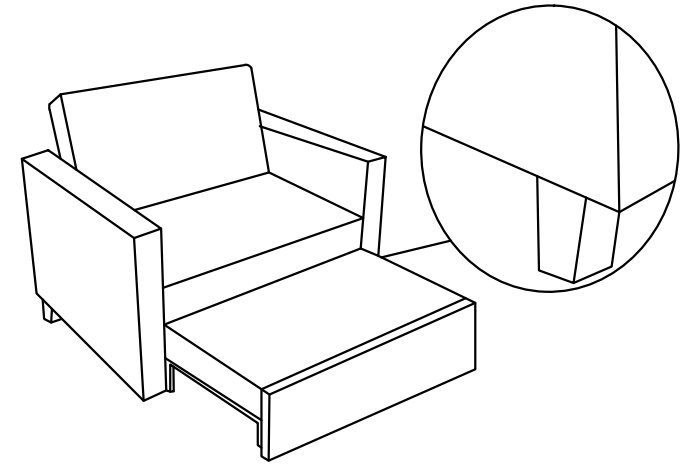
08



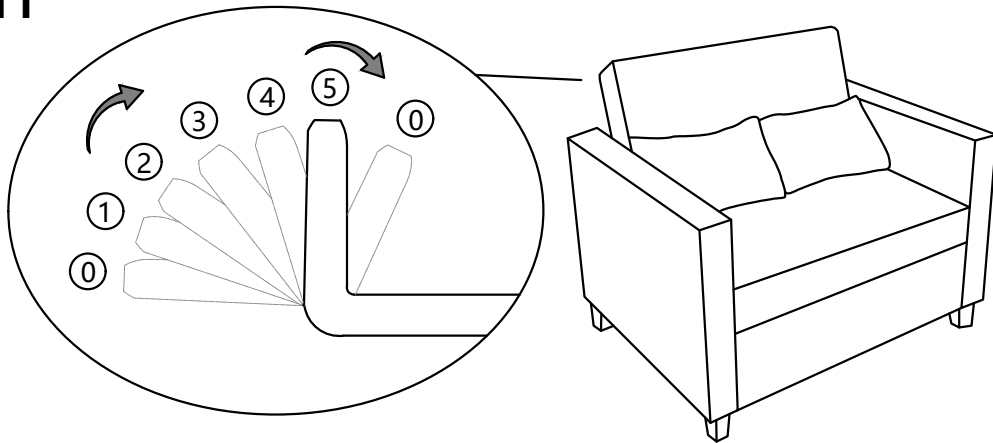
Use screws M8 \* 16mm (Q) to connect the Left lifting accessories (S) and Right fitting accessories (T) to the Bed tail iron frame(R) Install with M5 Allen wrench (P)

**09**

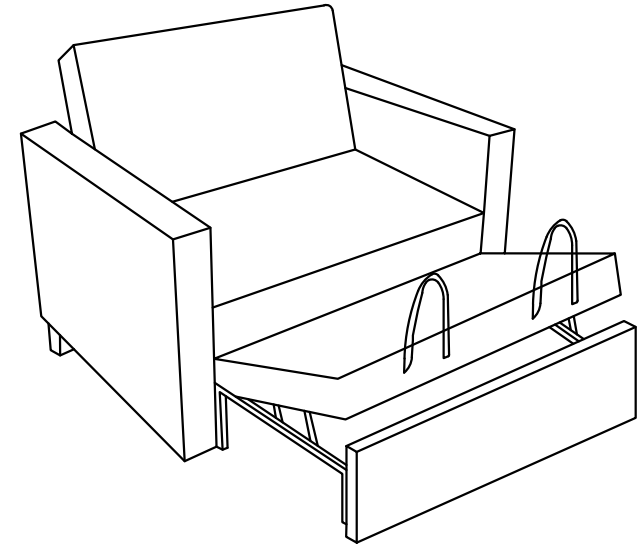
Next, we will install Bed tail (D), Invert the Sofa front panel (G) of the sofa on the ground, then pull up the Bed tail (D), and then make the front side perpendicular to the ground. When the screw holes on the end of the Bed tail (D) align with the screw holes on the front panel of the Sofa front panel (G), use an Allen wrench (O) to install the screws (U).

**10**

Finally, let's lift the end of the installed Bed tail (D) and place it inside the pull access (M) (N) of the armrest (B) (C). Push it all the way to the bottom to complete the installation

**11**

The sofa backrest can be shifted by pushing it forward, with a total of 5 gears. When In the 5th gear, if the backrest is pushed forward by more than 108 °, it will return to the 0 gear (it can be place horizontally to 180 ° now)

**12**

Pull up the two ropes of the Bed Tail (D), pull it out, and then apply upward force to raise the Bed Tail (D). Then push the backrest of the sofa at the end 0 position, level the sofa backlog to 180 ° for use