

Care & Maintenance



- Furniture may scratch floors. We recommend using furniture pads to protect your floors.



- Do not put hot items directly on furniture surface.



- Do not clean furniture with harsh cleansers or polish.



- Do not place furniture under direct sunlight.



- Do not place furniture near heating or cooling vents.



- Do not write on furniture without a padded barrier to protect the surface.



- Do not place furniture outside . For indoor use only.



- Not for commercial use. For residential use only.



- Stains may be removed with mild soap solution and damp cloth.



- Children should not climb or jump on the furniture.



- Dust and pick-up spills using a clean, non-colored, lint-free cloth.

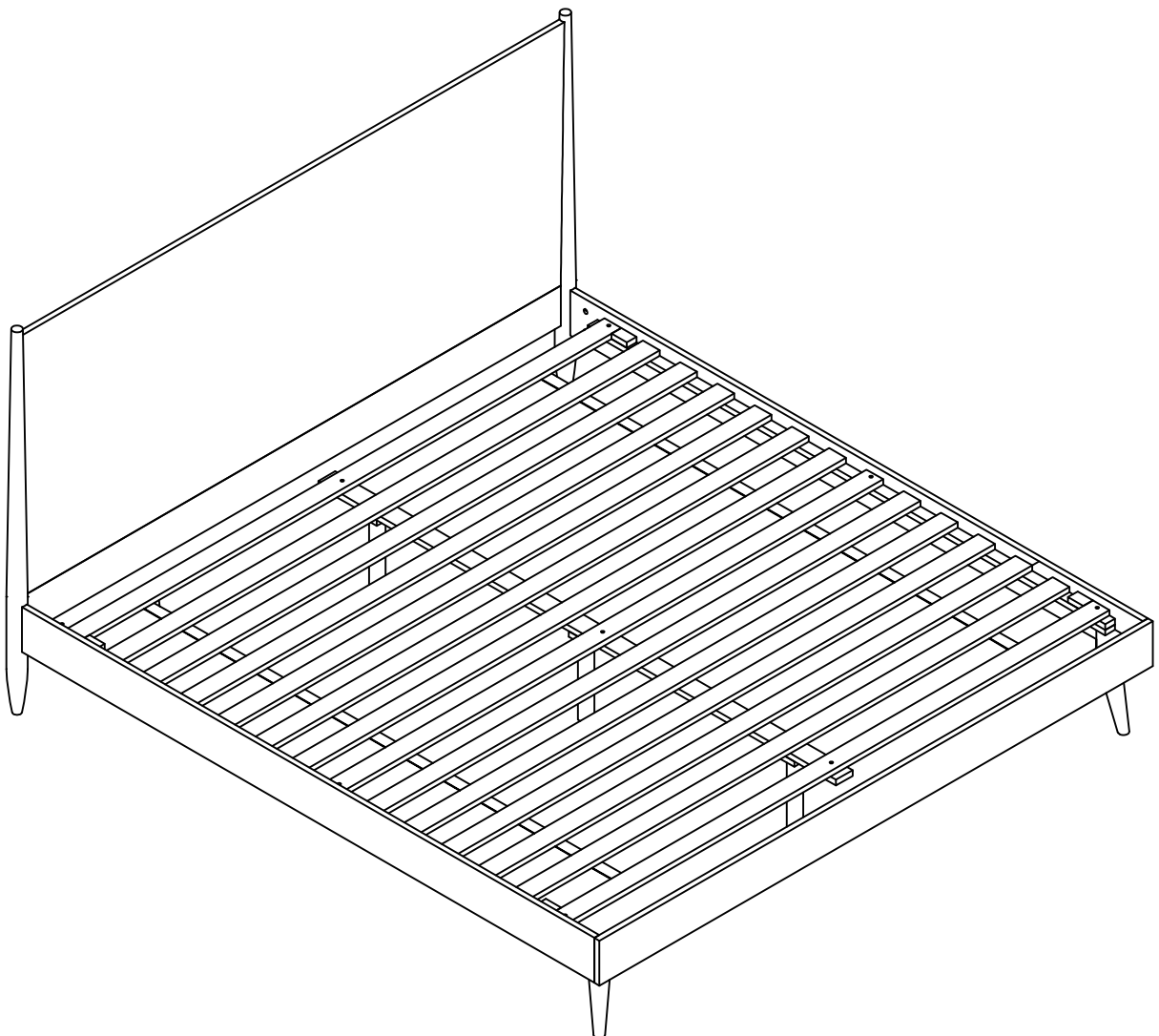
ASSEMBLY INSTRUCTIONS

QUEEN BED

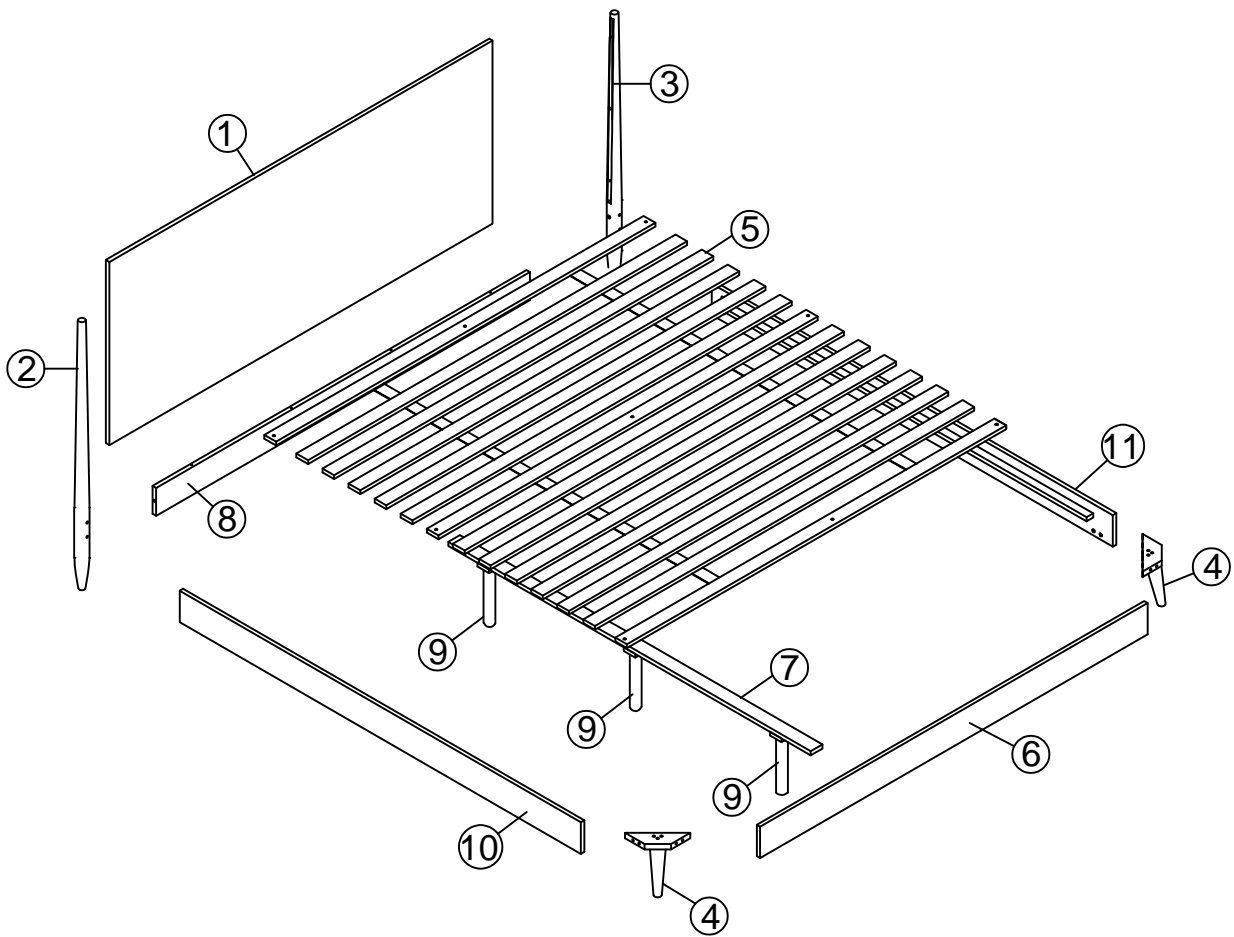
KING BED / CALI KING BED

SKU CODE: 67062.00-Q / 67062.00-K

67062.00-CK



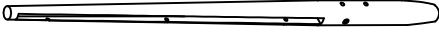
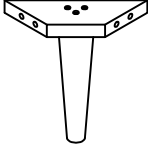
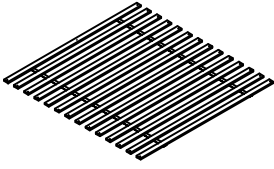
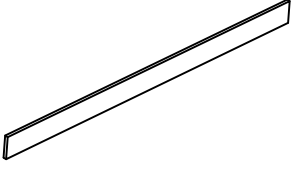

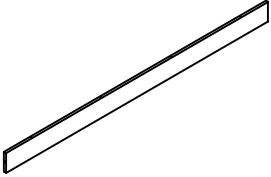





Detail View



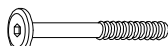
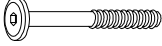
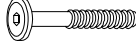






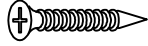

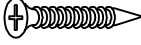




Part List

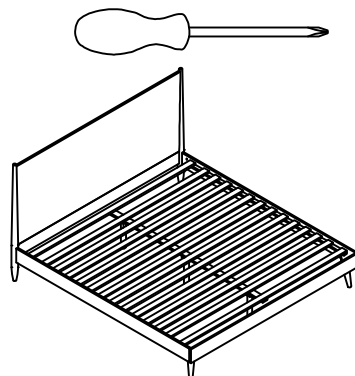
**67062.00-Q-H
67062.00-K-H / 67062.00-CK-H**

<p>① x 1 PC</p>  <p>Frame Headboard</p>	<p>② x 1 PC</p>  <p>Left Headboard Leg</p>
<p>③ x 1 PC</p>  <p>Right Headboard Leg</p>	<p>④ x 2 PCS</p>  <p>Footboard Legs</p>
<p>⑤ x 1 PC</p>  <p>Slat</p>	
<p>67062.00-Q-P 67062.00-K-P / 67062.00-CK-P + Hardware inside</p>	
<p>⑥ x 1 PC</p>  <p>Panel Footboard</p>	<p>⑦ x 1 PC</p>  <p>Center support bar</p>
<p>⑧ x 1 PC</p>  <p>Support Headboard</p>	<p>⑨ x 3 PCS</p>  <p>Support Leg</p>
<p>⑩ x 1 PC</p>  <p>Left SideRail</p>	<p>⑪ x 1 PC</p>  <p>Right SideRail</p>

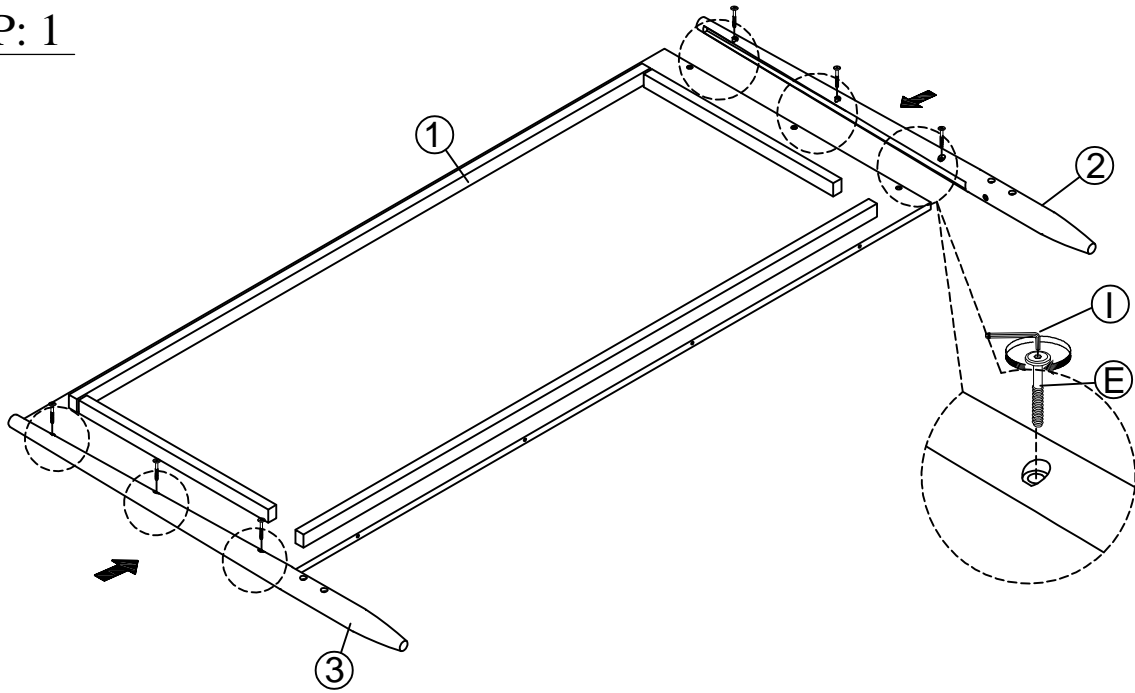
Hardware List

Ⓐ x 4PCS  Ø1/4"x100mm	Ⓑ x 4PCS  Ø1/4"x75mm	Ⓒ x 2PCS  Ø5/16"x60mm
Bolts	Bolts	Bolts
Ⓓ x 8PCS  Ø1/4"x50mm	Ⓔ x 6PCS  Ø1/4"x30mm	Ⓕ x 4PCS  Ø5/16"x15mm
Bolts	Bolts	Bolts
Ⓖ x 24PCS  Ø5/16"x13mm	Ⓗ x 22PCS  Ø5/16"x19mm	Ⓘ x 1PC  100*30*4mm
Spring Washer	Flat Washer	Allen key
Ⓚ x 6PCS  Ø10x30mm	Ⓛ x 4PCS  1/4"*15 (9.5mm)	Ⓜ x 10PCS  Ø4x15mm
Wood dowel	Horizontal-Hole bolts	Wood screws
Ⓝ x 2PCS  Ø5/16"	Ⓞ x 9PCS  Ø4x30mm	Ⓟ x 1PCS 
Curved washers	Wood screws	Left - L - Hooks
Ⓠ x 1PCS 		
Right - L - Hooks		

ASSEMBLY TOOLS REQUIRED (NOT INCLUDED)

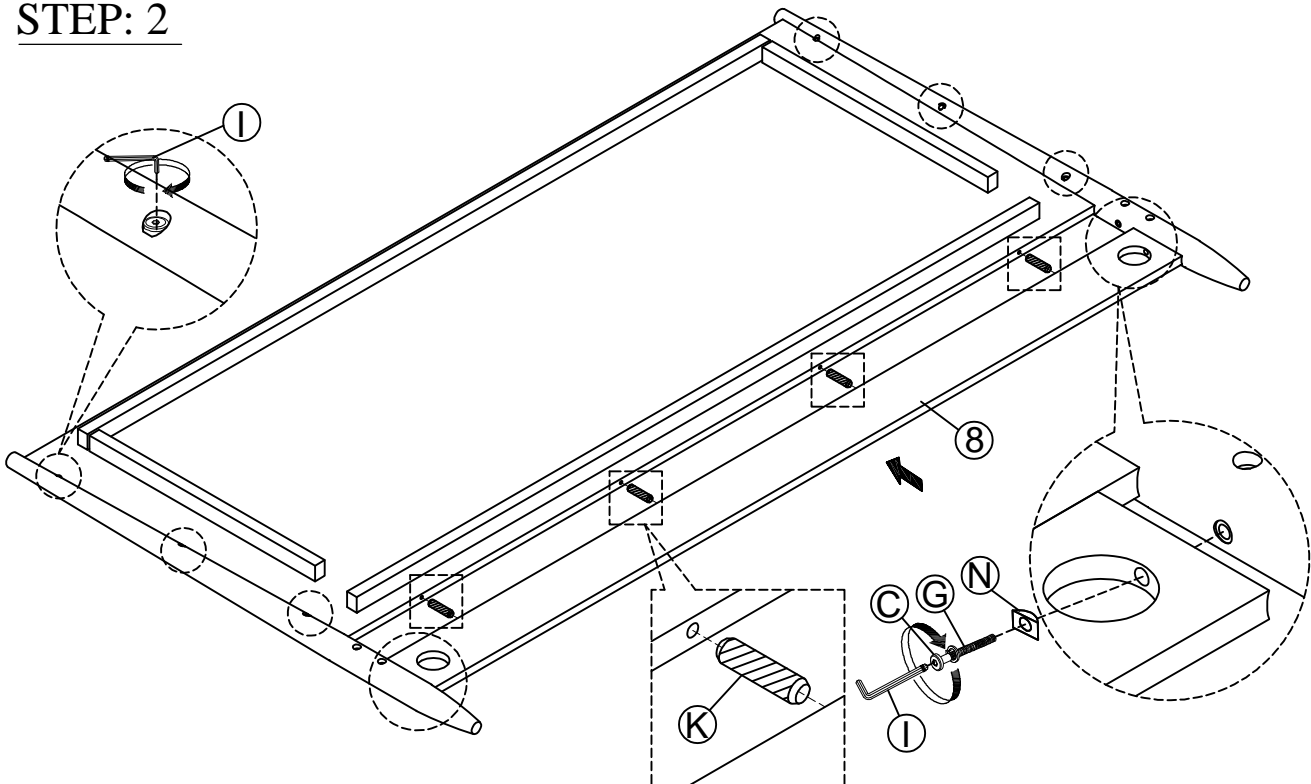


STEP: 1



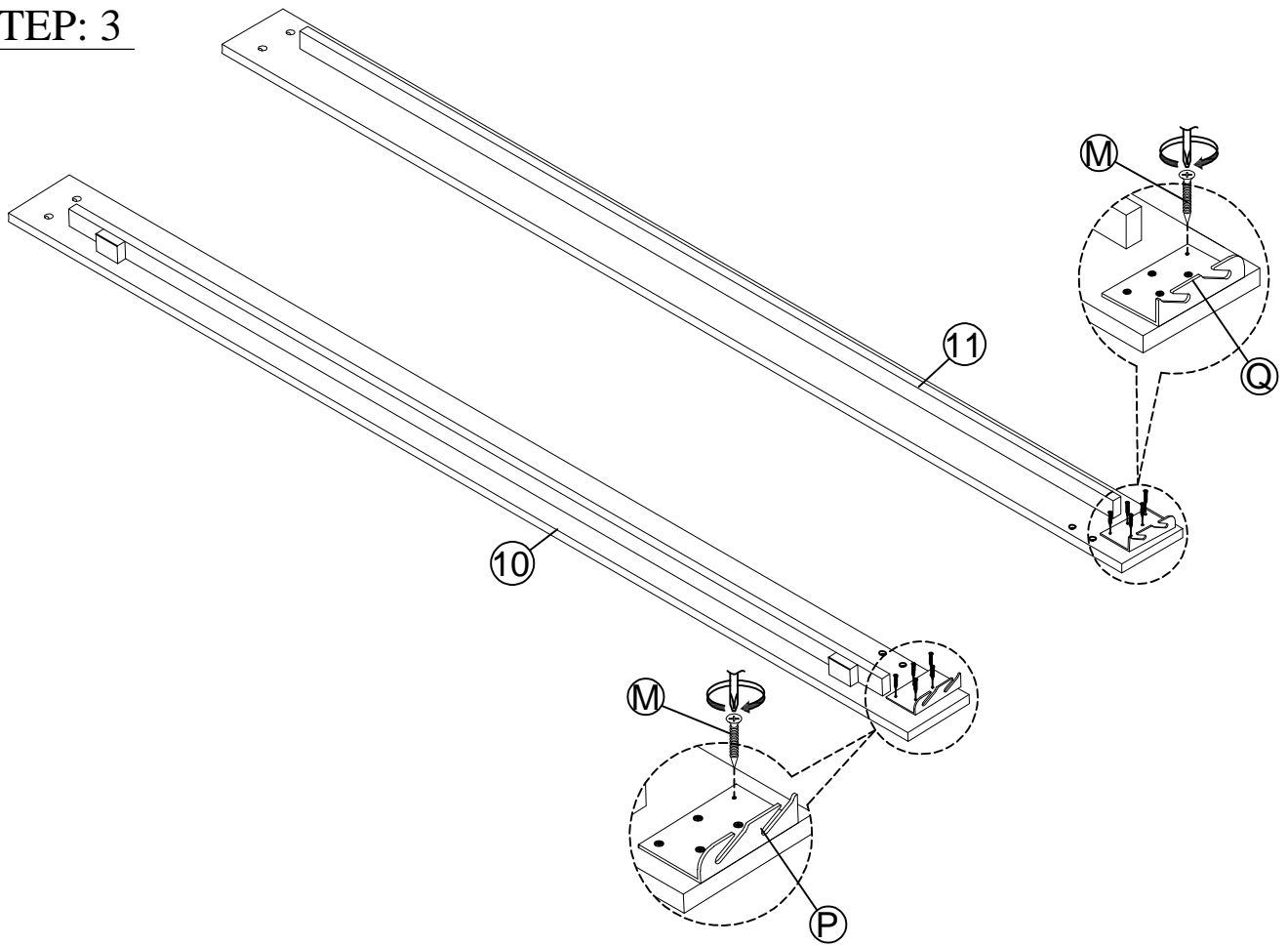
Assemble the frame headboard (1) to the left headboard leg (2), and right headboard leg (3), using Bolts (E), Allen Key (I). Please do not tighten the bolts at this step.

STEP: 2



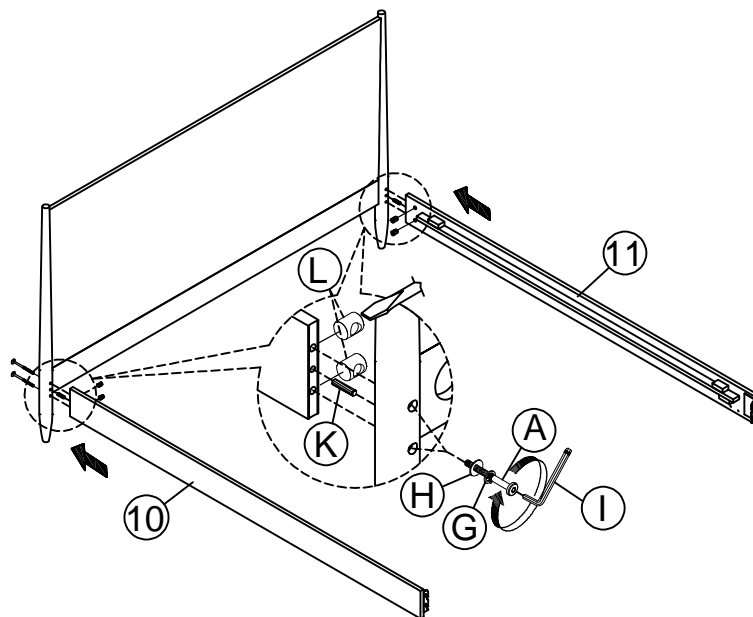
Assemble the support headboard (8) to the left headboard leg (2), and right headboard leg (3), using the wooden dowel (K), bolt (C), Spring Washer (G), Curved washers (N), Allen Key (I). Align and tighten all bolts at this step.

STEP: 3



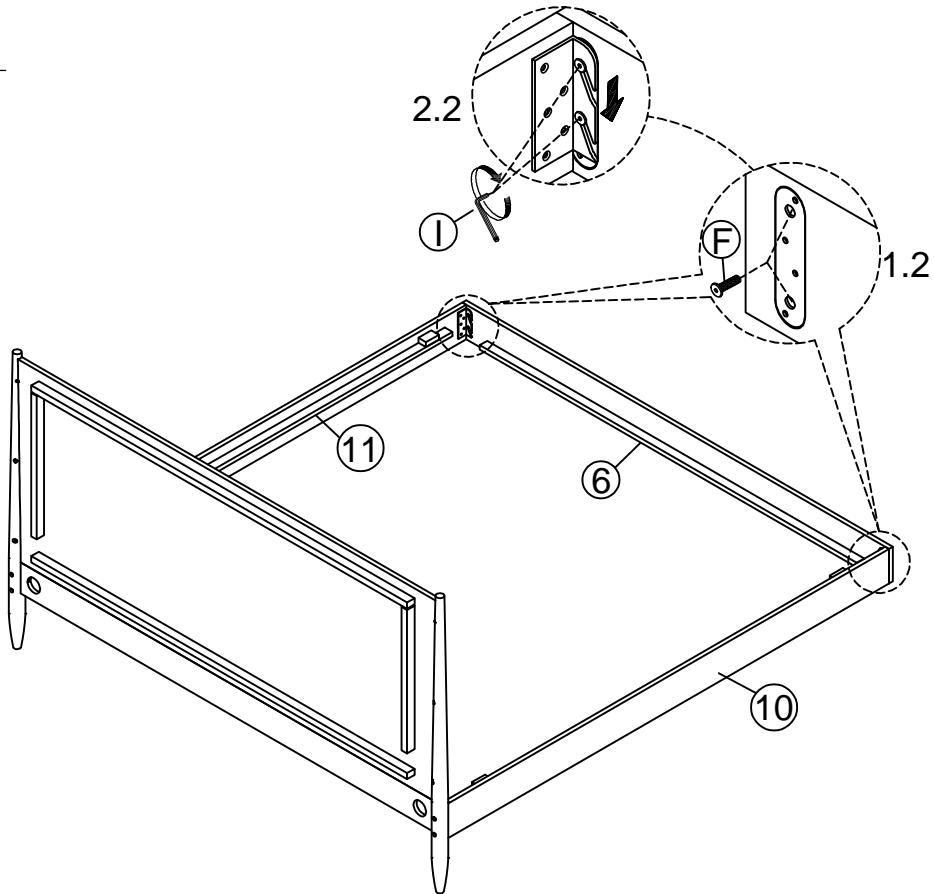
Assemble the Left - L - Hooks (P), onto the left siderail (10), with the Wood screws (M). Be careful not to tighten too hard. Repeat the same procedure for the Right - L - Hooks (Q) and the right siderail (11)

STEP: 4



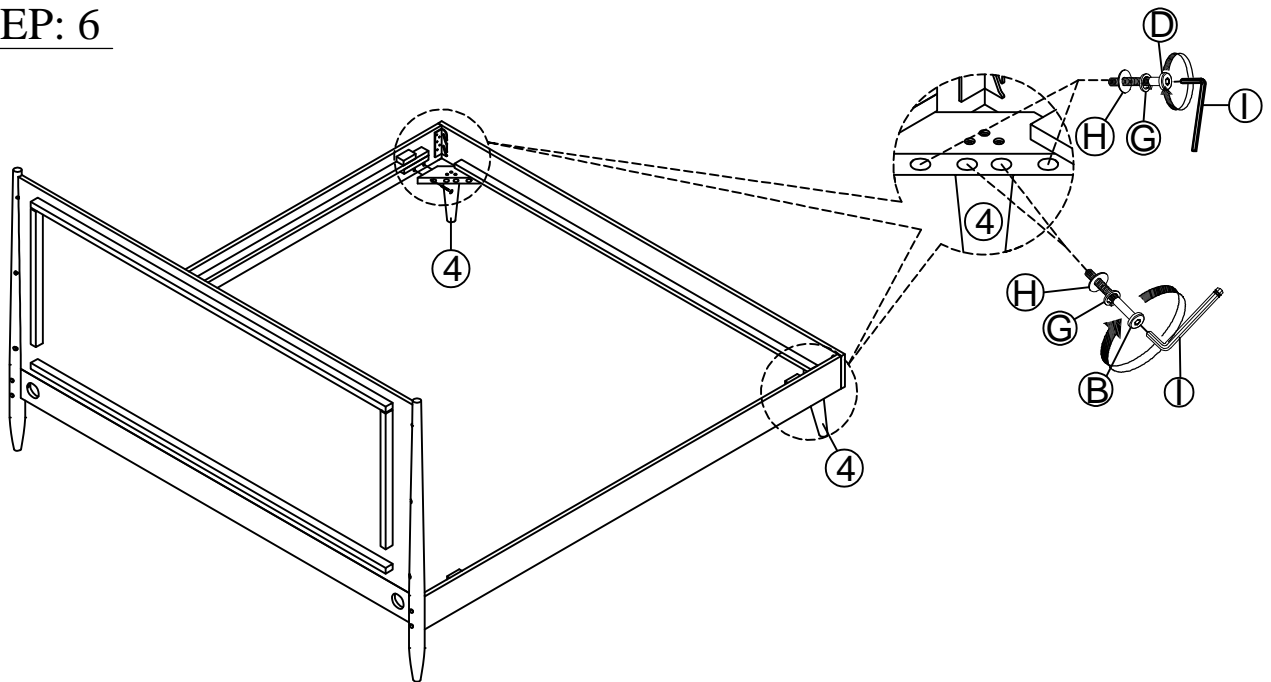
Assemble the left siderail (10), and the right siderail (11) to the headboard (1) in step (2), using the wooden dowel (K), bolt (A), Spring Washer (G), flat washer (H), and horizontal-h bolts (L), Allen Key (I). Tighten the bolts in this step.

STEP: 5



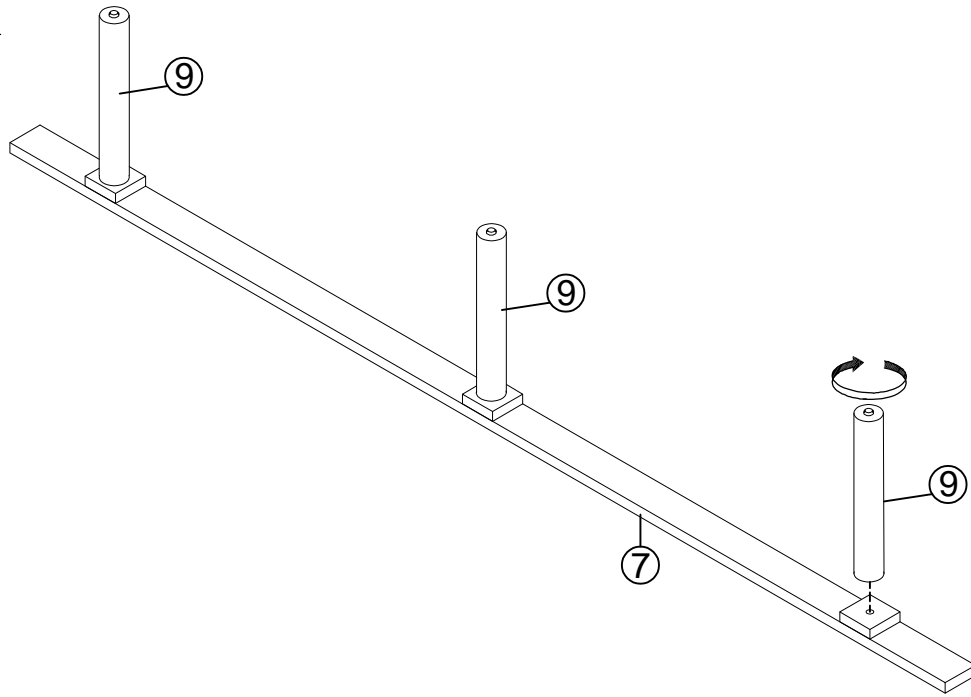
1.2 Assemble the bolt (F) in to panel footboard (6). Please do not tighten the bolts at this step.
2.2 Assemble panel footboard (6) onto the left siderail (10) and the right siderail (11). Use allen Key (I). Tighten the bolts in this step.

STEP: 6



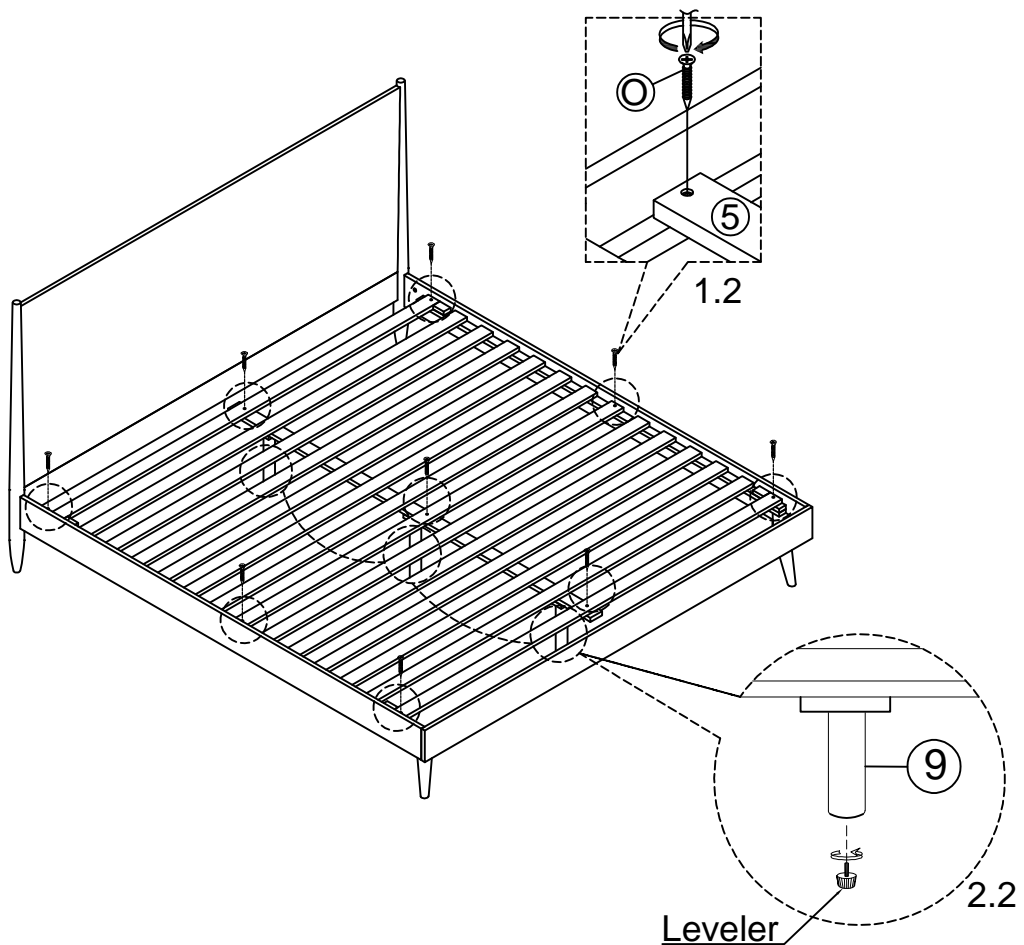
Assemble the Footboard Legs (4) to the panel footboard (6) and left siderail (10) and the right siderail (11) in step (5), using the bolt (D) and (B), Spring Washer (G), flat washer (H), Allen Key (I). Align and tighten all bolts at this step.

STEP: 7



Assemble the support leg (9) into the Center support bar (7)

STEP: 8



1.2 Place the center support bar in the middle then install the slat (5) to the left siderail (10) and the right siderail (11) and to the center support bar (7) in step (7) Wood screws (O).

Note: do not tighten too hard.

2.2 Adjust the leveler high and low to balance

FINAL

