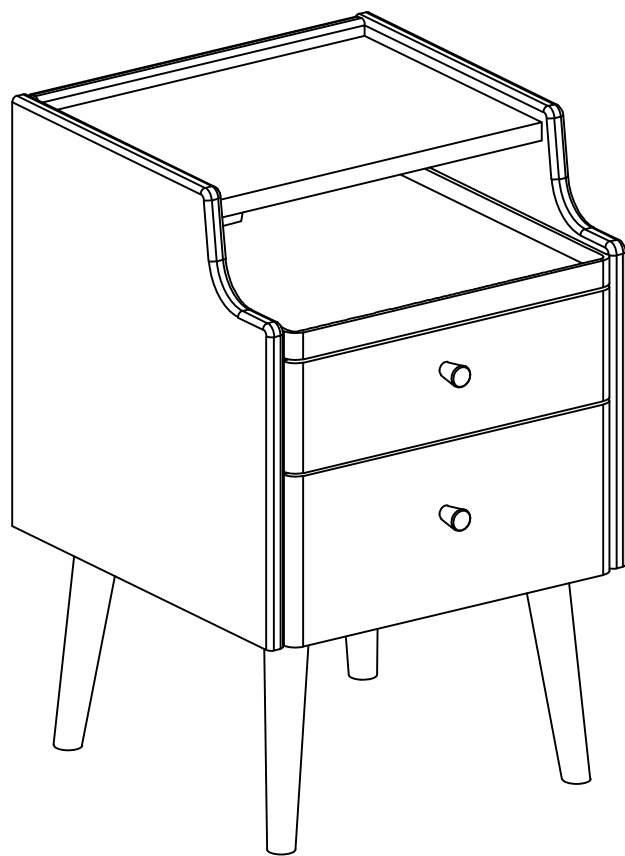
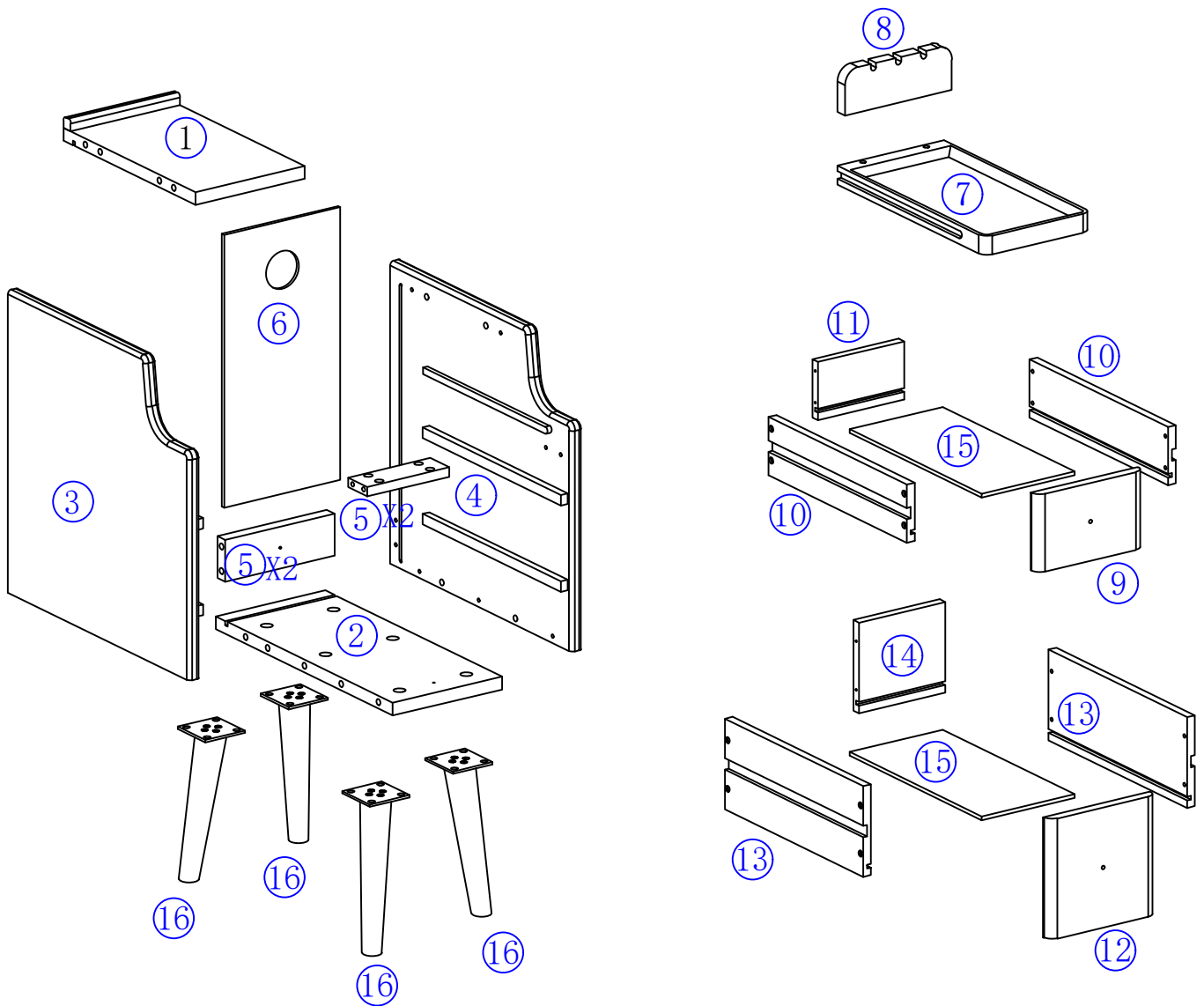


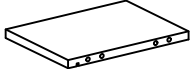
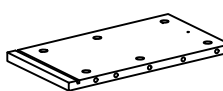
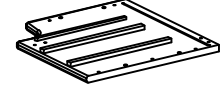
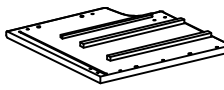

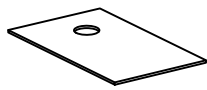
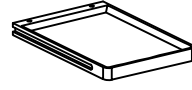









Nightstand-40CM



Assembly Diagram

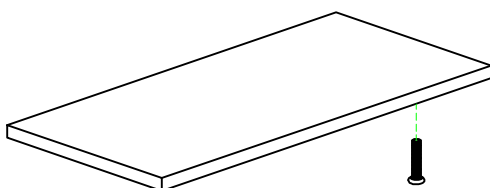


Parts List

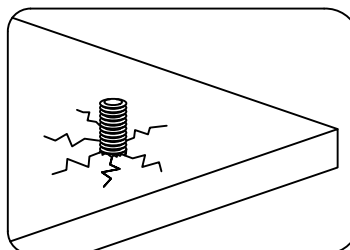
<p>① Front Panel</p>  <p>366*286*32MM 1PC</p>	<p>② Base Panel</p>  <p>366*383*17MM 1PC</p>	<p>③ Left Side Pane</p>  <p>400*393*27MM 1PC</p>
<p>④ Right Side Panel</p>  <p>400*393*27MM 1PC</p>	<p>⑤ Rear Upper/Front Crosspiece</p>  <p>366*55*17MM 2PCS</p>	<p>⑥ Back Panel</p>  <p>361*376*5MM 1PC</p>
<p>⑦ Support Panel</p>  <p>319*362*25MM 1PCS</p>	<p>⑧ Rear Support Panel Stopper</p>  <p>362*60*17MM 1PCS</p>	<p>⑨ Upper Drawer Front Panel Assembly</p>  <p>362*103*26MM 1PCS</p>
<p>⑩ Upper Drawer Back Panel</p>  <p>300*77*12MM 2PCS</p>	<p>⑪ Upper Drawer Side Panel</p>  <p>331*77*12MM 1PCS</p>	<p>⑫ Lower Drawer Front Panel Assembly</p>  <p>362*159*26MM 1PCS</p>
<p>⑬ Lower Drawer Side Panel</p>  <p>300*120*12MM 2PC</p>	<p>⑭ Lower Drawer Back Panel</p>  <p>331*120*12MM 1PC</p>	<p>⑮ Drawer Bottom Panel</p>  <p>341*286*5MM 2PC</p>
<p>⑯ Caster Feet</p>  <p>200*63*63MM 4PC</p>		

Notice

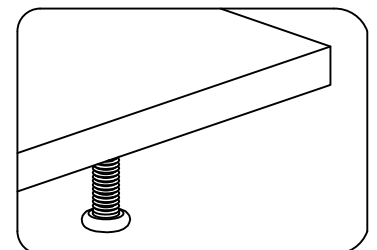
Using the correct screws can prevent damage to components



Example

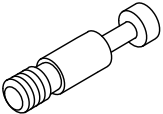


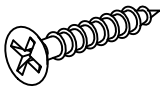
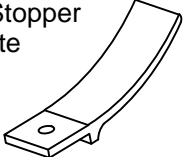
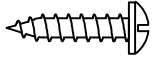



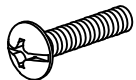
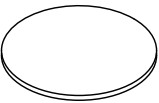
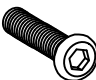

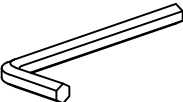
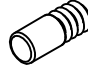



Incorrect Example: Oversized screws cause the wood panel to crack

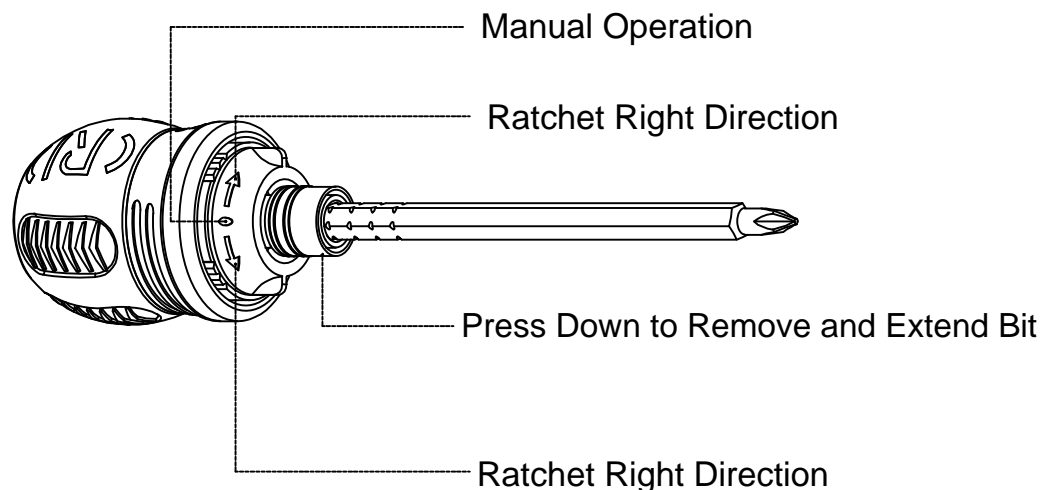


Correct Example: Screw size matches, ensuring stable installation

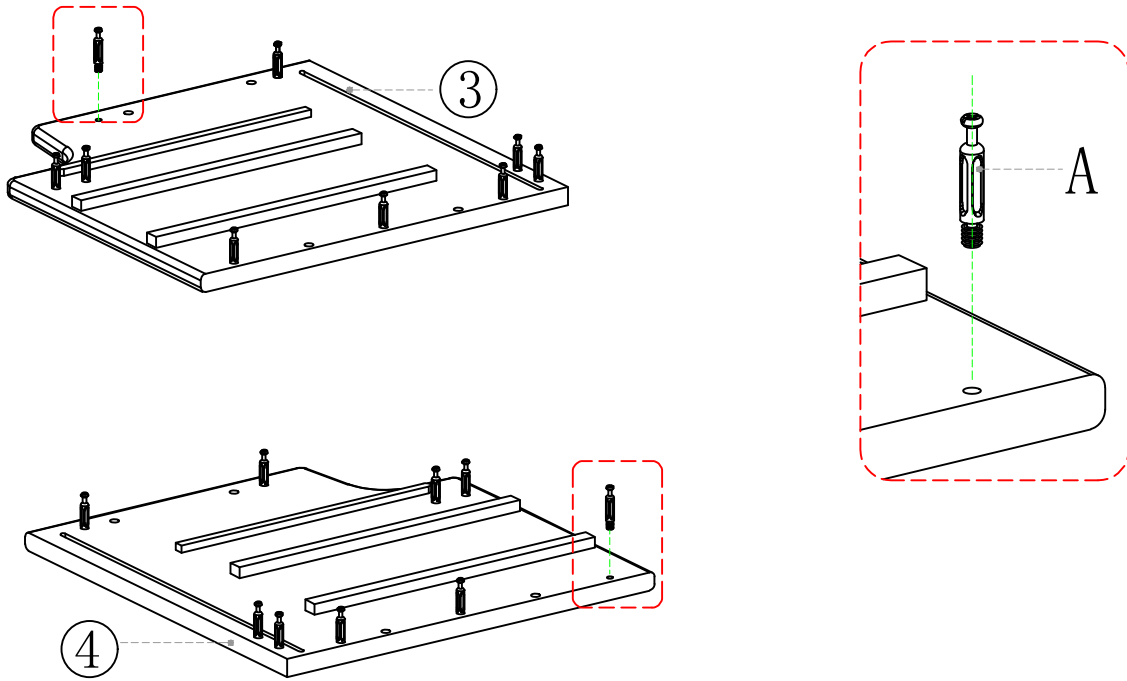
Hardware List

<p>A Two-in-One Dowel Screw</p>  <p>L=40MM 18+1PCS</p>	<p>B Two-in-One Lock Handle</p>  <p>15*11MM 18+1PCS</p>	<p>C Wooden Dowel</p>  <p>8*30MM 8PCS</p>
<p>D Flat Head Quick Thread Screw</p>  <p>#8*30MM 16+2PCS</p>	<p>E Drawer Stopper Plate</p>  <p>L=50MM 2PCS</p>	<p>F Umbrella Head Wood Screw</p>  <p>#3.5*15MM 2PCS</p>
<p>G Phillips Screwdriver</p>  <p>M6*136MM 1PC</p>	<p>H Hexagon Socket Cross-Through Screw</p>  <p>M7*40MM 2PCS</p>	<p>I Conical Handle</p>  <p>20*23MM 2PCS</p>
<p>J Phillips Large Flat Head Screw</p>  <p>M4*30MM 2PCS</p>	<p>K Edge Banding Sticker</p>  <p>20MM 4PC</p>	<p>L Hexagon Socket Screw</p>  <p>M6*15MM 16+1PCS</p>
<p>M Flat Washer</p>  <p>M6* 15MM 16+1PCS</p>	<p>N Hexagon Wrench</p>  <p>∅M4*40*80MM 1PC</p>	<p>O Interlocking Rivet (Rod)</p>  <p>M6* 8*19MM 2PCS</p>
<p>P Non-Woven Pad <small>(Installed)</small></p>  <p>20*3MM 4PCS</p>		

Multi-Function Ratchet Screwdriver Manual

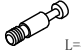



Step 1

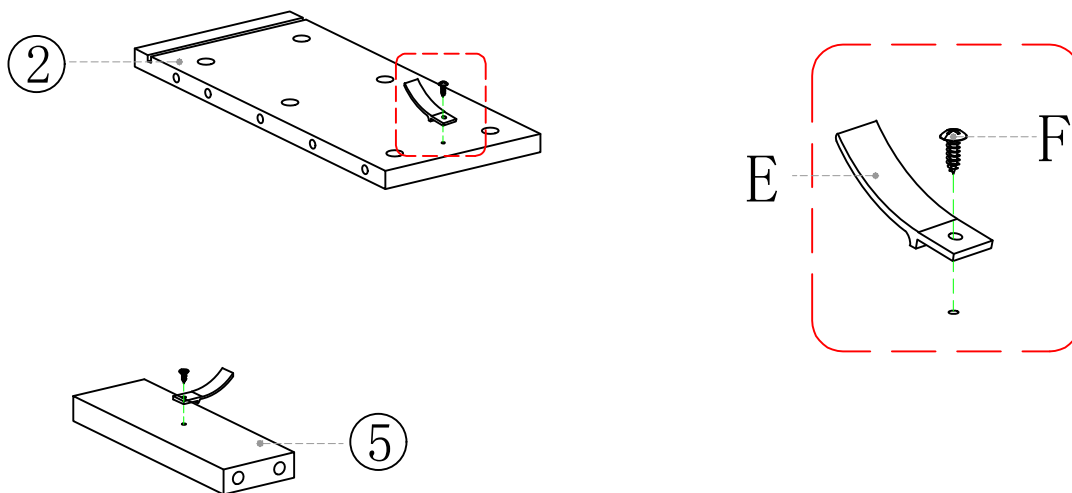


Caution: After unpacking, check the quantity of all parts against the manual before assembling as shown.


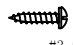

►As shown, attach hardware A to parts 3 and 4 using hardware G.

A	 L=40MM	18PCS
G	 M6*136MM	1PC

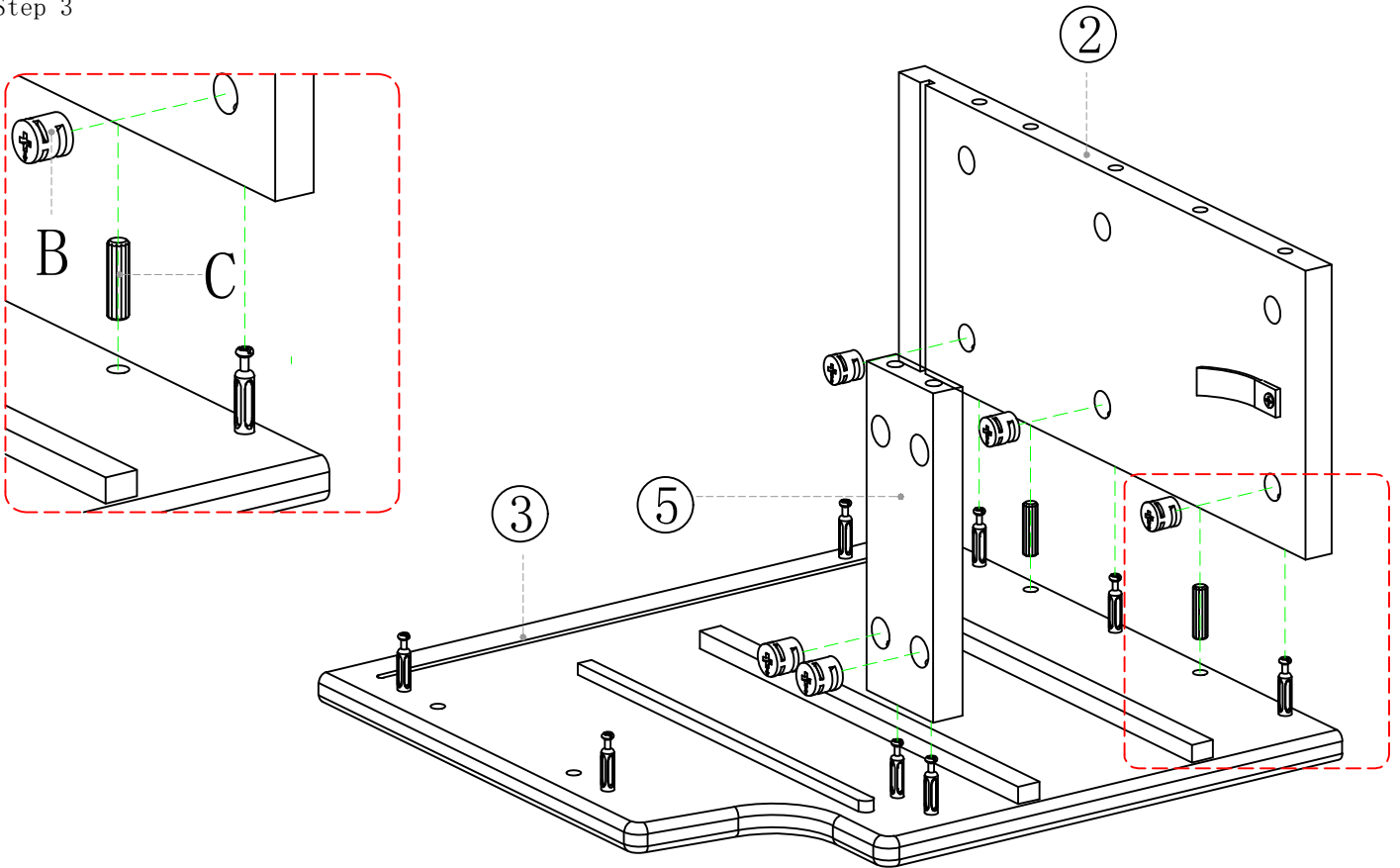
Step 2






►As shown, attach hardware E/F to parts 2 and 5 using hardware G.

E	 L=50MM	2PCS	F	 #3. 5*15MM	2PCS
G	 M6*136MM	1PC			2PCS

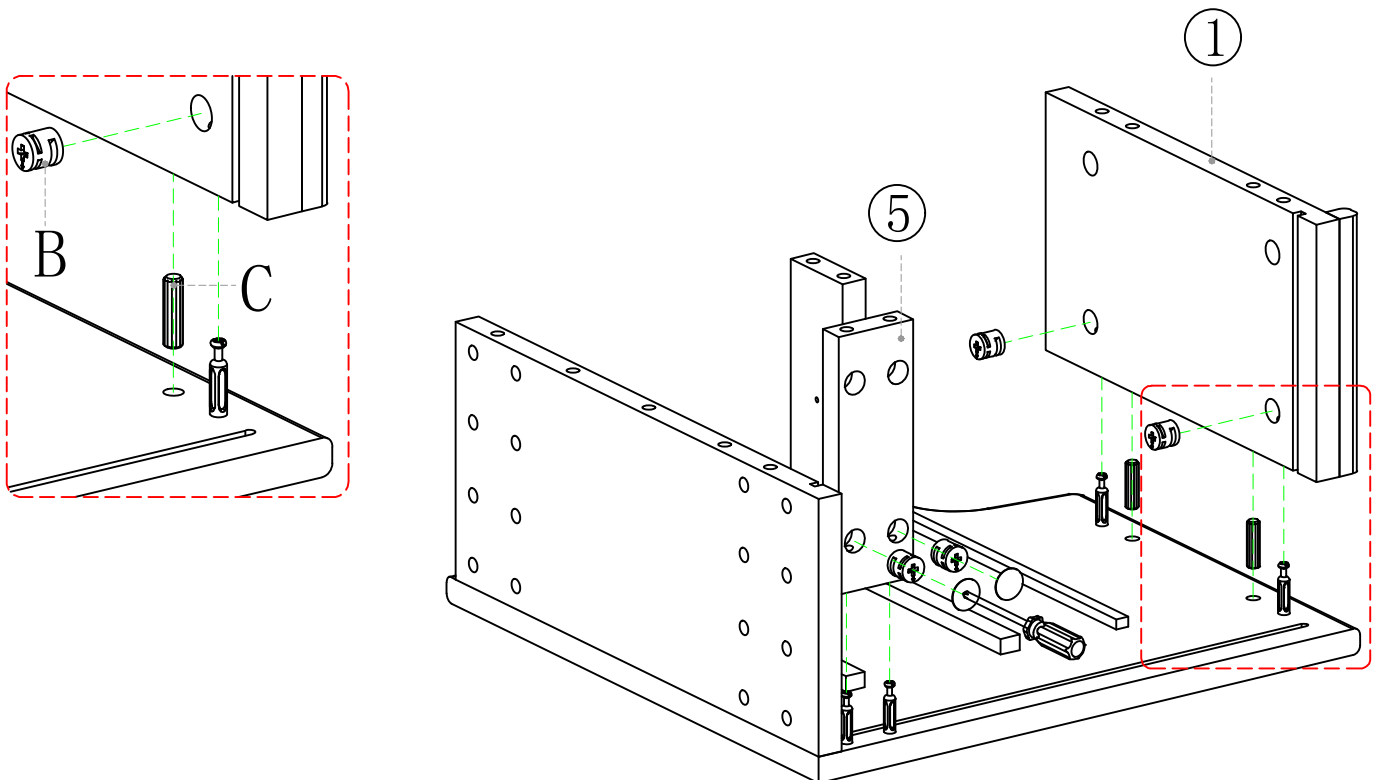
Step 3







►As shown, connect parts 1 and 5 to the assembly from Step 3 using hardware B/C. Cover hardware B on part 5 with hardware K.

B	 15*11MM	5PCS	C	 8*30MM	2PCS
G	 M6*136MM	1PC			

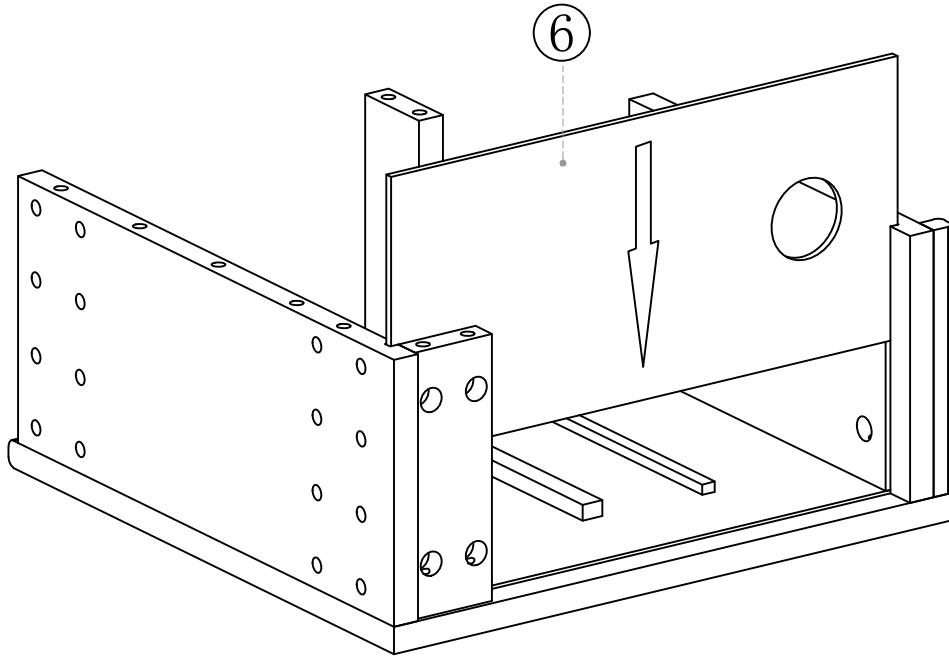
Step 4



►As shown, connect parts 1 and 5 to the assembly from Step 3 using hardware B/C. Cover hardware B on part 5 with hardware K.

B	 15*11MM	4PCS	C	 8*30MM	2PCS
G	 M6*136MM	1PC	K	 20MM	2PCS

Step 5



►As shown, attach part 6 to the assembly from Step 4.

Step 6

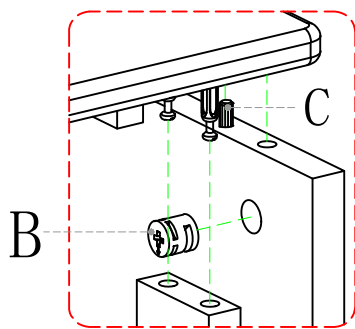


Figure 1

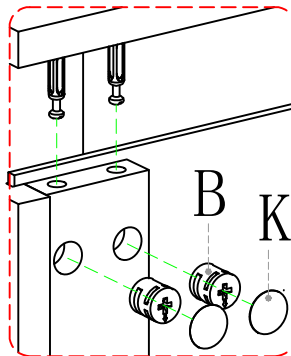
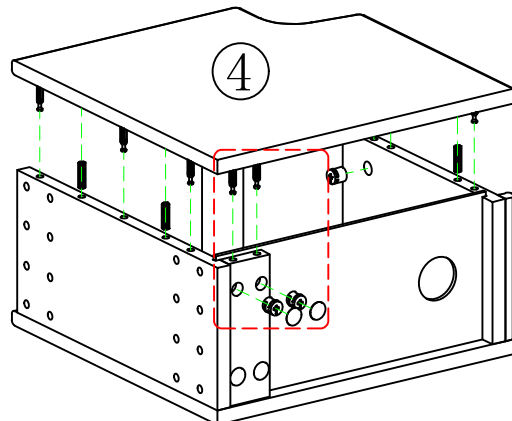
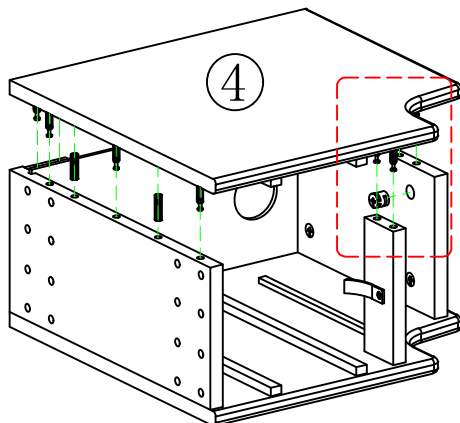






Figure 2

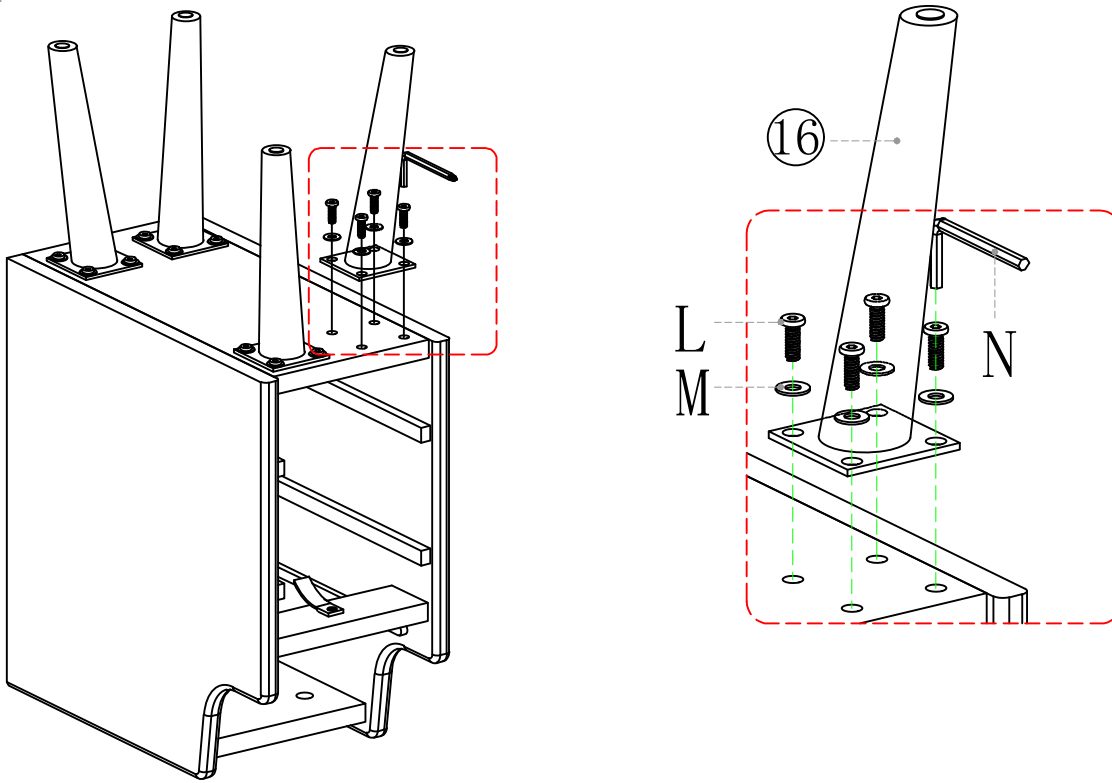


►As shown, connect part 4 to the assembly from Step 5 using hardware B/C/K.


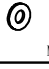
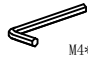
Cover hardware B on part 5 with hardware K.

B	 15*11MM	9PCS	C	 8*30MM	4PCS
G	 M6*136MM	1PC	K	 20MM	2PCS

Step 7



►As shown, connect part 16 to the assembly from Step 6 using hardware L/M/N.

L	 M6*15MM	16PCS	M	 M6* 15MM	16PCS
N	 M4*80MM	1PC			

Step 8

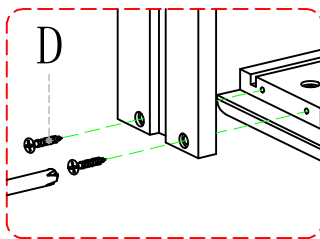


Figure 1

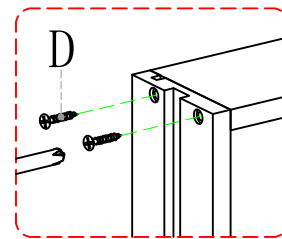
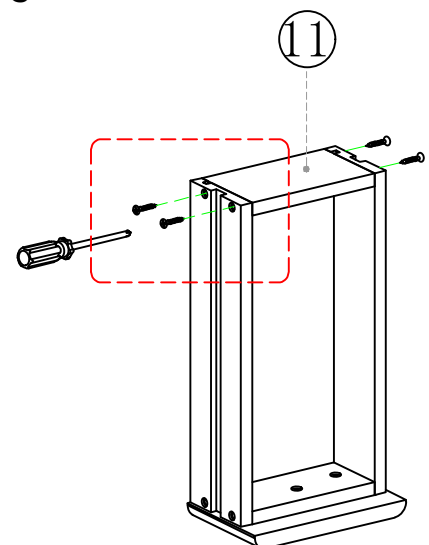
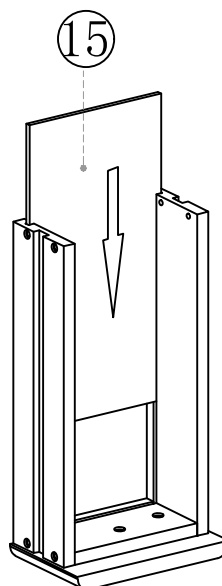
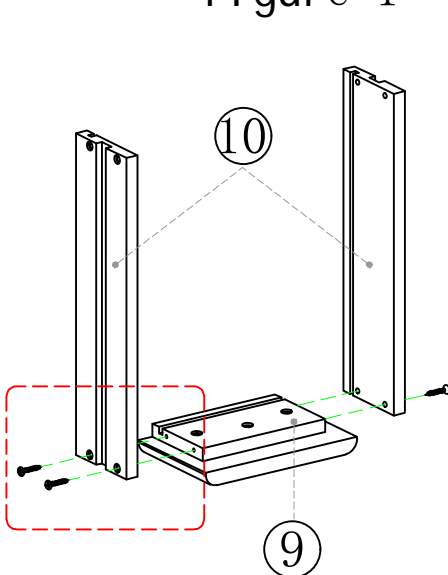




Figure 2



►As shown, assemble parts 9, 10, 11, and 15 with hardware D.

D	 #8*30MM	8PCS
G	 M6*136MM	1PCS

Step 9

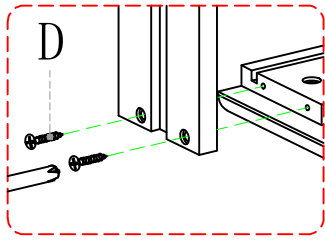


Figure 1

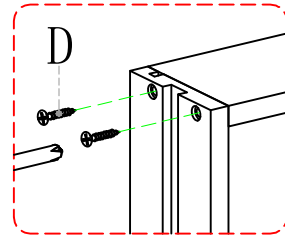
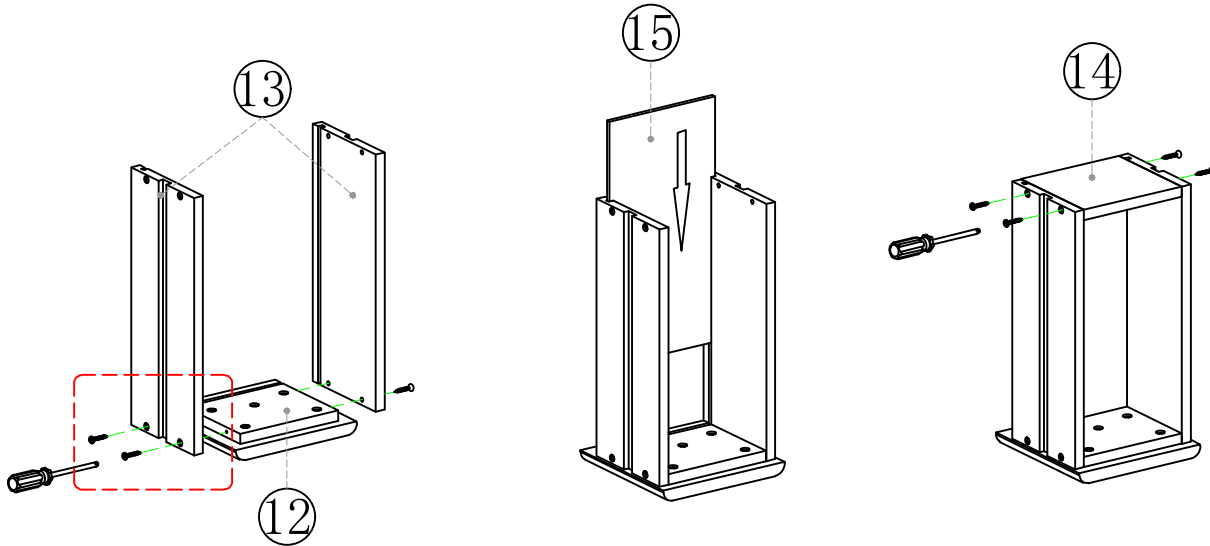


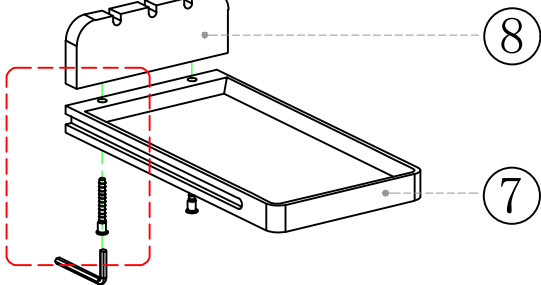
Figure 2



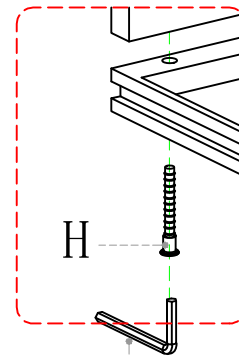
►As shown, assemble parts 12, 13, 14, and 15 with hardware D.

D		8PCS
G		1PC

Step 10

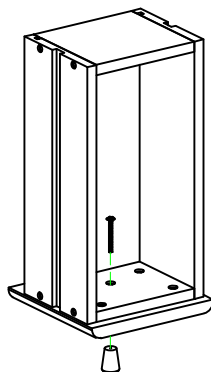
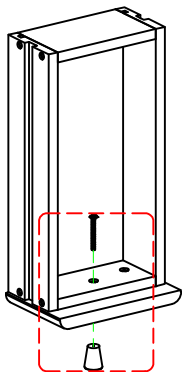


►As shown, assemble parts 7 and 8 with hardware H/N.


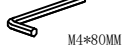





Top Drawer

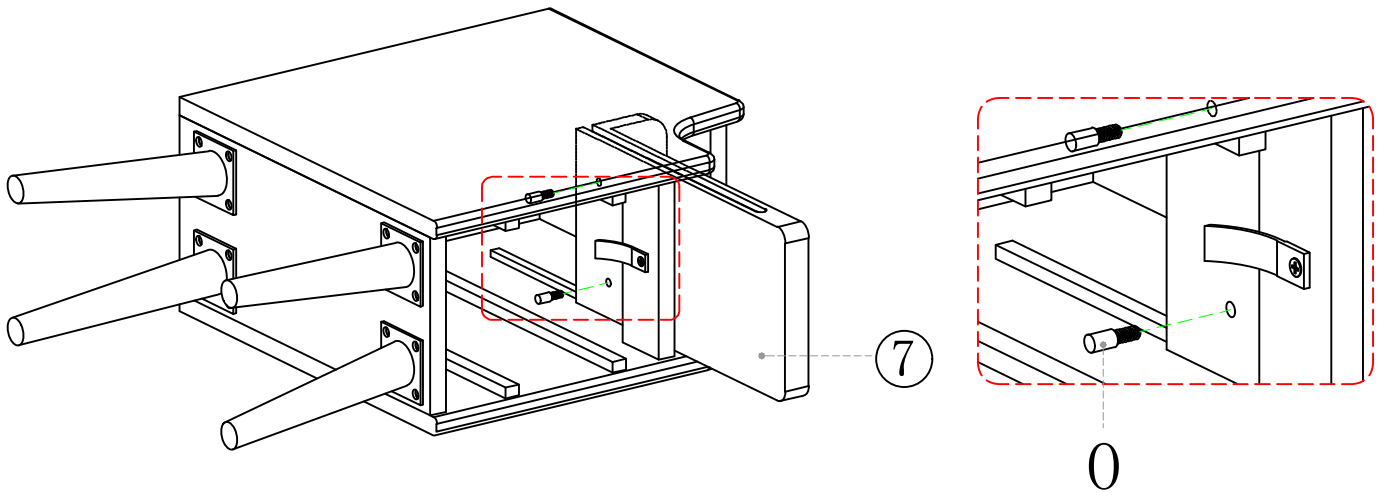
Bottom Drawer N




►As shown, connect the assemblies from Step 8 and Step 9 using hardware I/J.

H		2PCS	N		1PC
I		2PCS	J		2PCS
G		1PC			

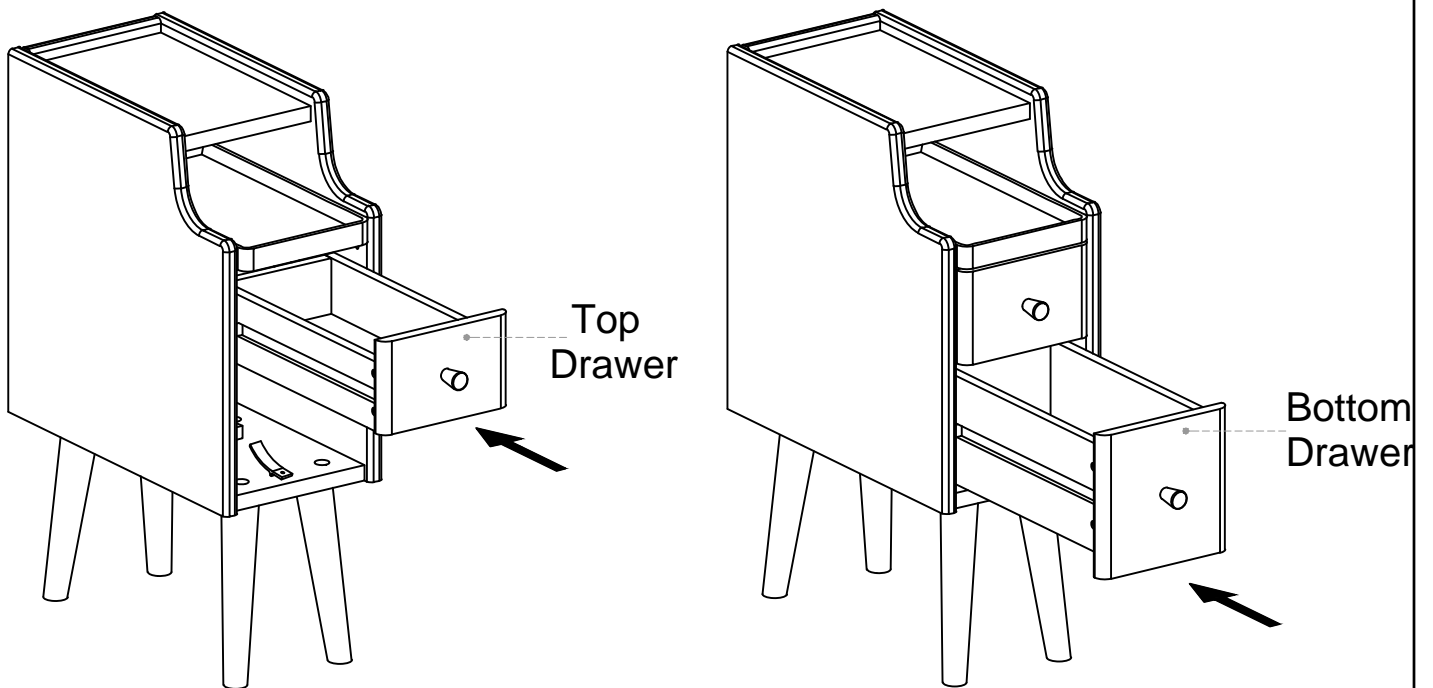
Step 11



►As shown, install hardware O on the reverse side of part 7.

0		2PC
	M6* 8*19MM	

Step 12



►As shown, sequentially place the completed assembly from Step 10 onto the unit assembled in Step 11.