
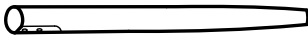


ASSEMBLY INSTRUCTION FOR ACME FURNITURE





MODEL#DN02364

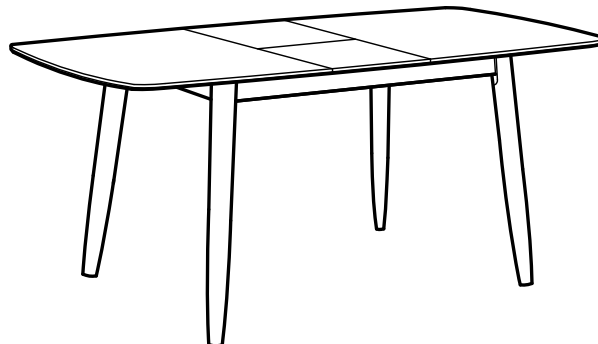
Thank you for purchasing the quality product. Be sure to check all packing material carefully for small parts which may have come loose inside the carton during shipment. Separate, identify and count all parts and metal hardware. Compare with all parts list to be sure all parts are present. If any part(s) are missing or damaged, please contact your local furniture dealer. For efficient and speedy service, please indicate the model number and code letter of part(s) needed.

*** Do not fully tighten screws until fully assembled ***

COMPONENT PARTS		
DESCRIPTION	PART NAME	QTY (PCS)
①	TABLE TOP 	1
②	LEFT SIDE LEG 	4

HARDWARE REQUIRED

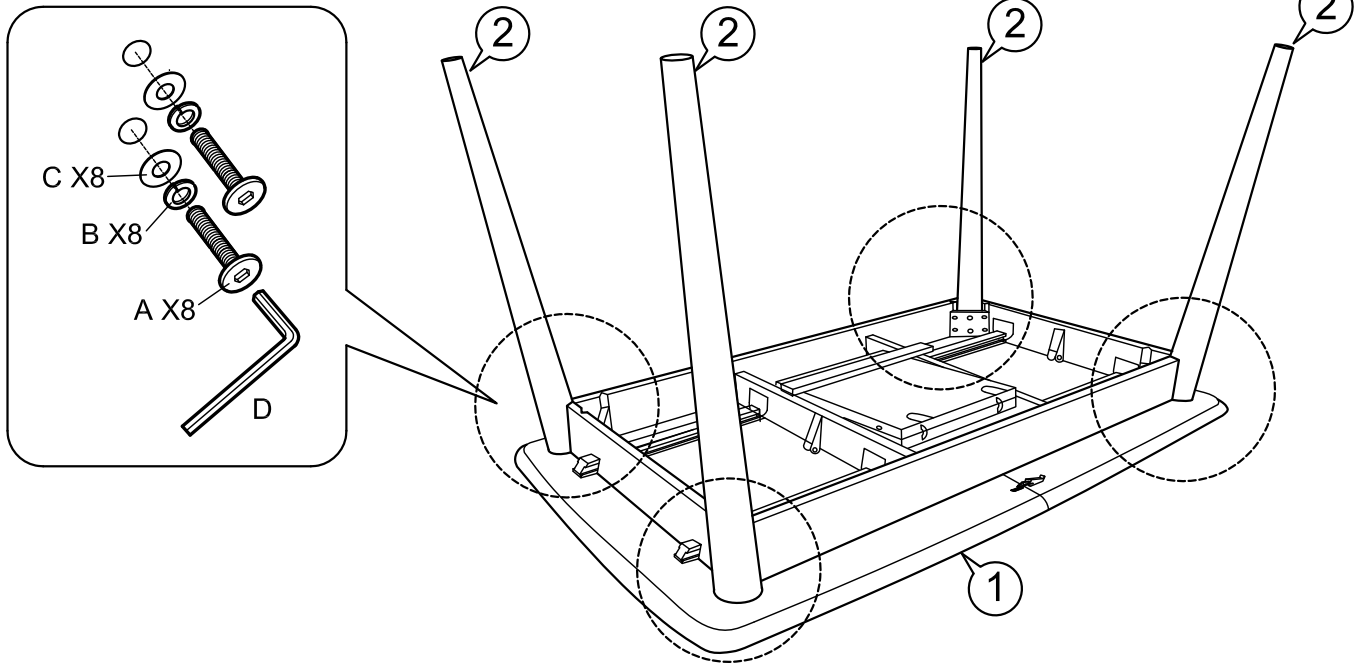
(A)		BOLT	M8 x 70mm	8 PCS
(B)		SPRING WASHER	5/16"	8 PCS
(C)		FLAT WASHER	5/16"	8 PCS
(D)		ALLEN KEY	M5	1 PC



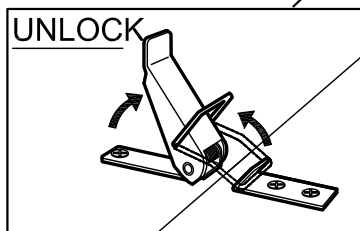
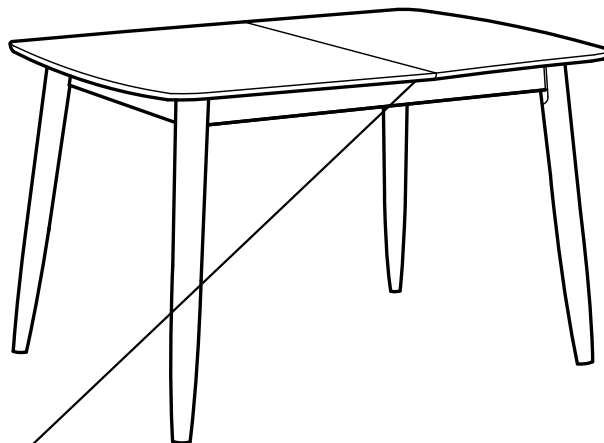
Attention

*** Some number parts listed on the instruction sheet may not to be in parts bag as they already be assembled. Carefully check parts and packing materials prior to ordering replacements.

STEP 1

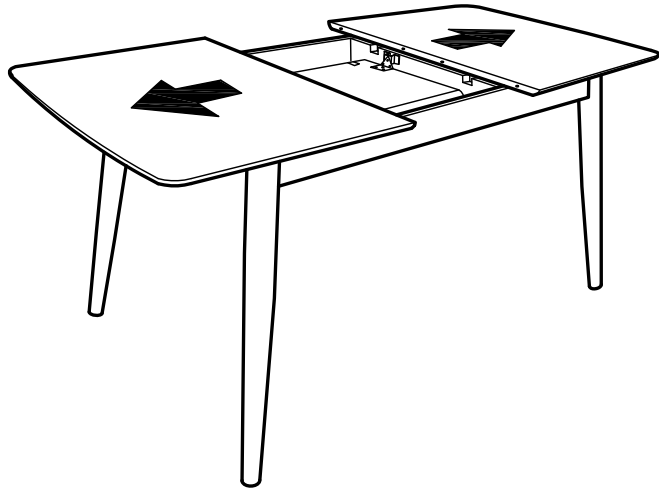


STEP 2

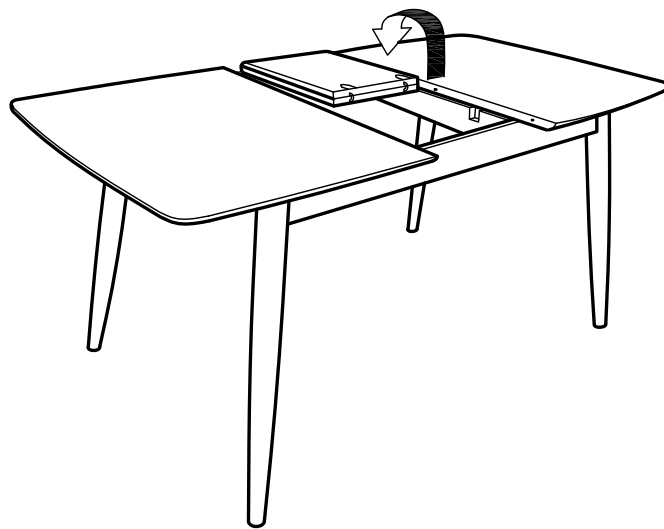


Unlock the latches underneath each side of the table.

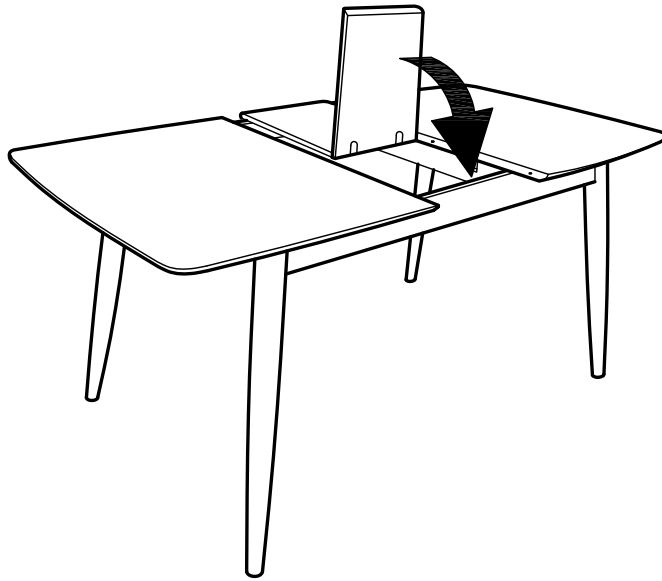
STEP 3



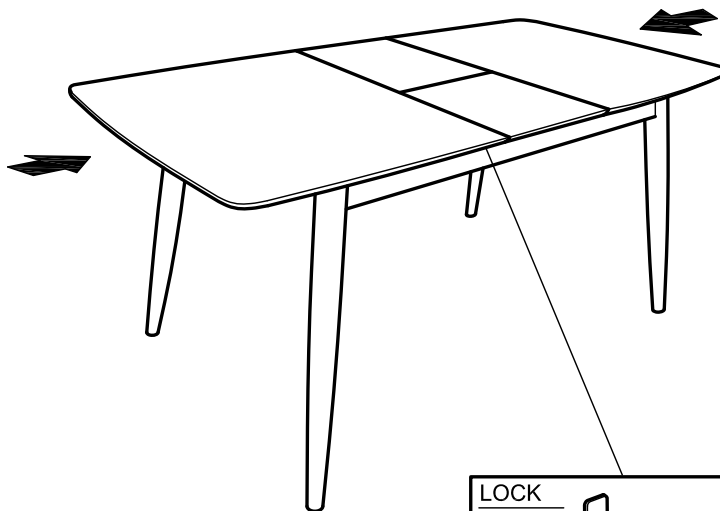
STEP 4



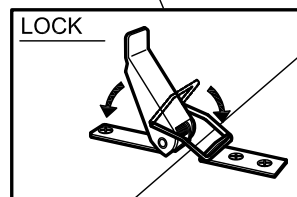
STEP 5



STEP 6



Relock the latches underneath each side of the table.


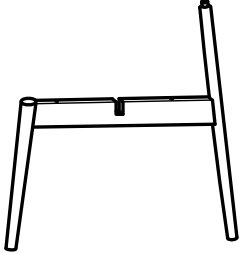
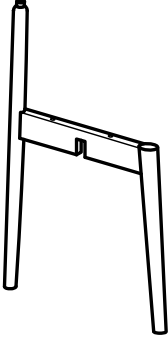





ASSEMBLY INSTRUCTION FOR ACME FURNITURE

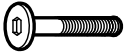
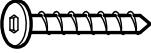

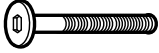


MODEL#DN02365

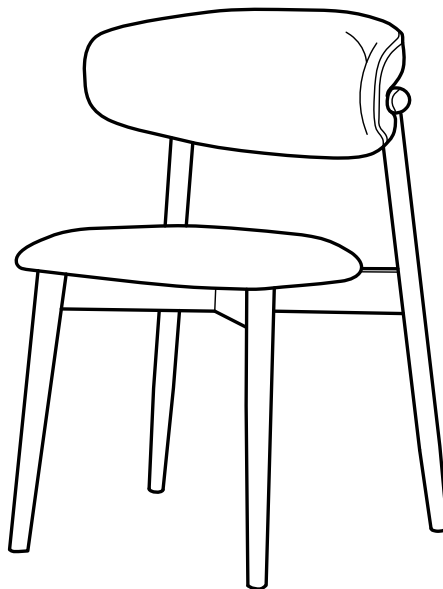
Thank you for purchasing the quality product. Be sure to check all packing material carefully for small parts which may have come loose inside the carton during shipment. Separate, identify and count all parts and metal hardware. Compare with all parts list to be sure all parts are present. If any part(s) are missing or damaged, please contact your local furniture dealer. For efficient and speedy service, please indicate the model number and code letter of part(s) needed.

*** Do not fully tighten screws until fully assembled ***

COMPONENT PARTS		
DESCRIPTION	PART NAME	QTY (PCS)
①	CHAIR BACK 	2
②A	RIGHT SIDE LEG 	2
②B	LEFT SIDE LEG 	2
③	BACK RAIL 	2
④	CHAIR SEAT 	2
⑤	CORNER BLOCK 	4

HARDWARE REQUIRED

(A)		BOLT	M6 x45mm (BLACK)	4 PCS
(B)		BOLT	M7 x50mm (BLACK)	4 PCS
(C)		FLAT WASHER	M6 x 13mm (BLACK)	12 PCS
(D)		BOLT	M6 x 70mm	8 PCS
(E)		CHIPBOARD SCREW	M4 x 25mm	16 PCS
(F)		ALLEN KEY	M4 x 100mm	1 PC

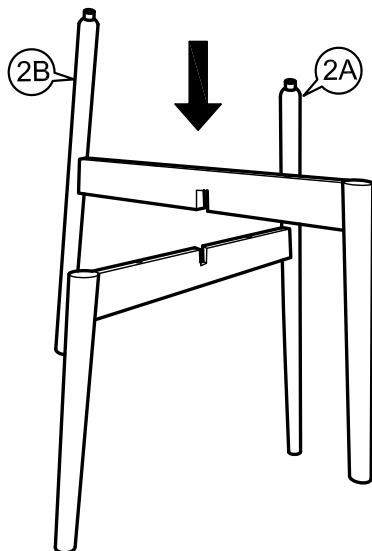


Attention

*** Some number parts listed on the instruction sheet may not be in parts bag as they already be assembled. Carefully check parts and packing materials prior to ordering replacements.

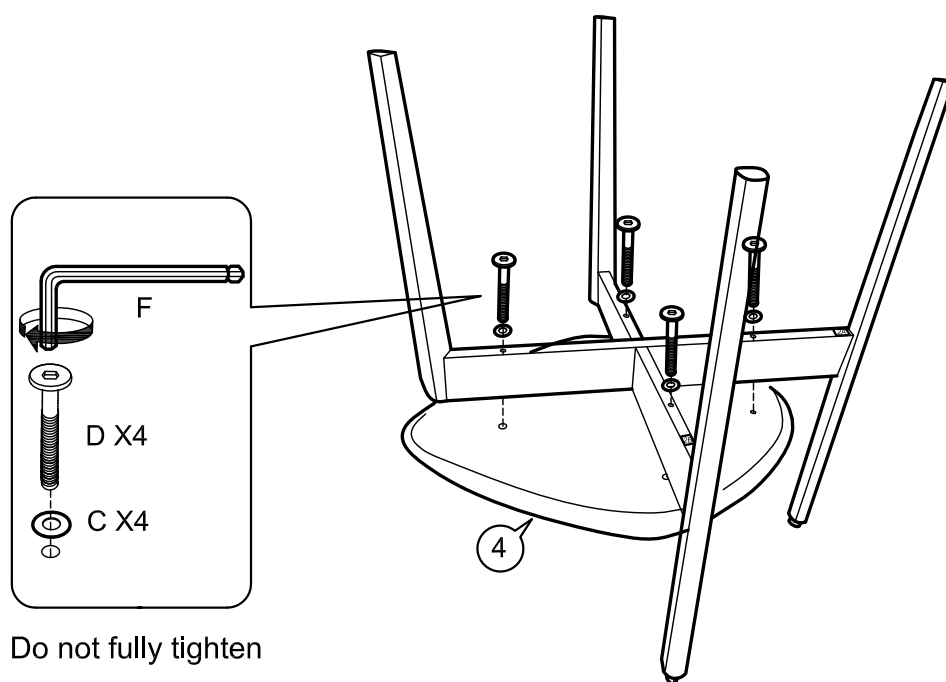
How to assemble :

STEP 1



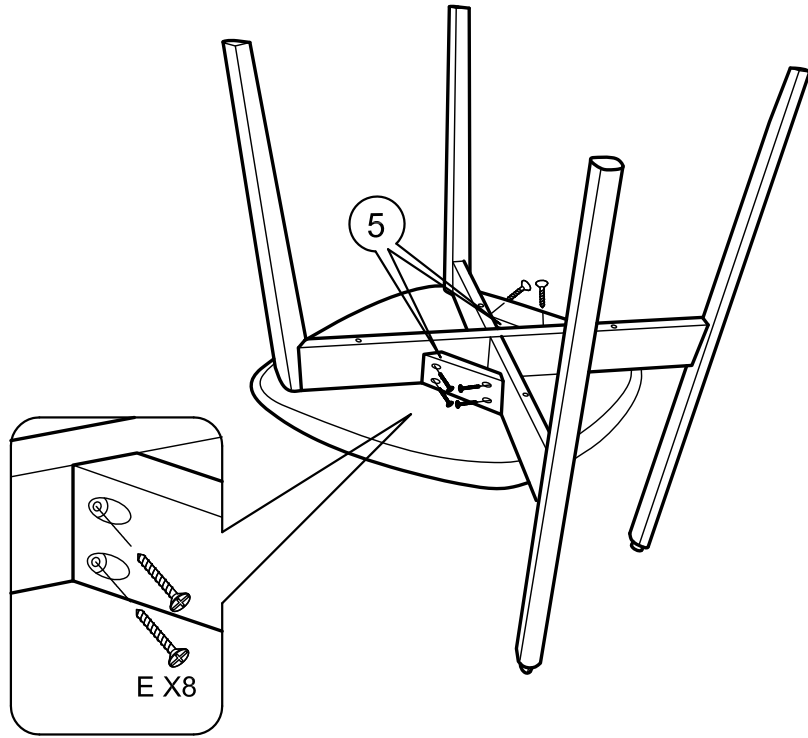
(X2)

STEP 2



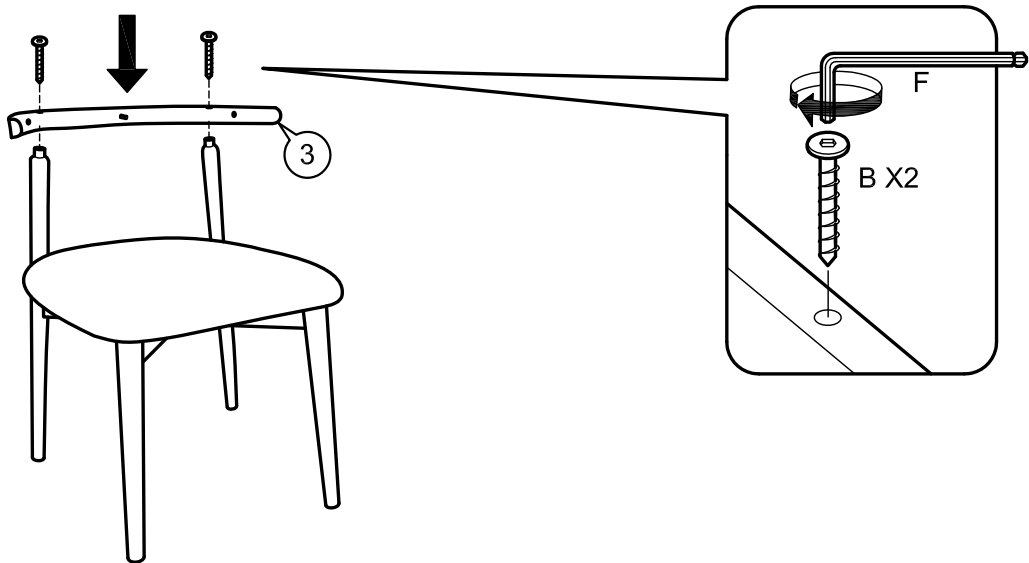
(X2)

STEP 3



(X2)

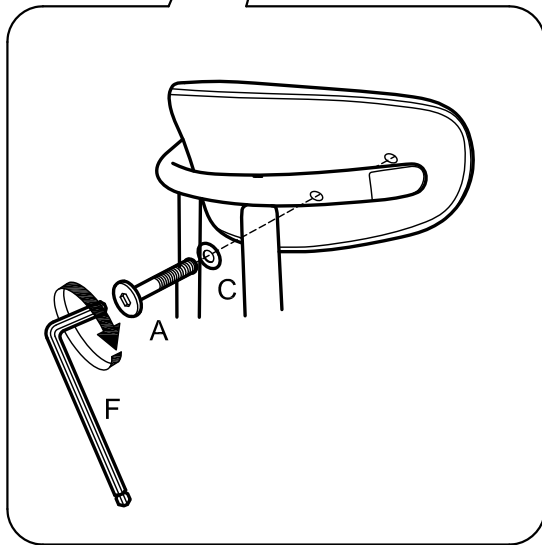
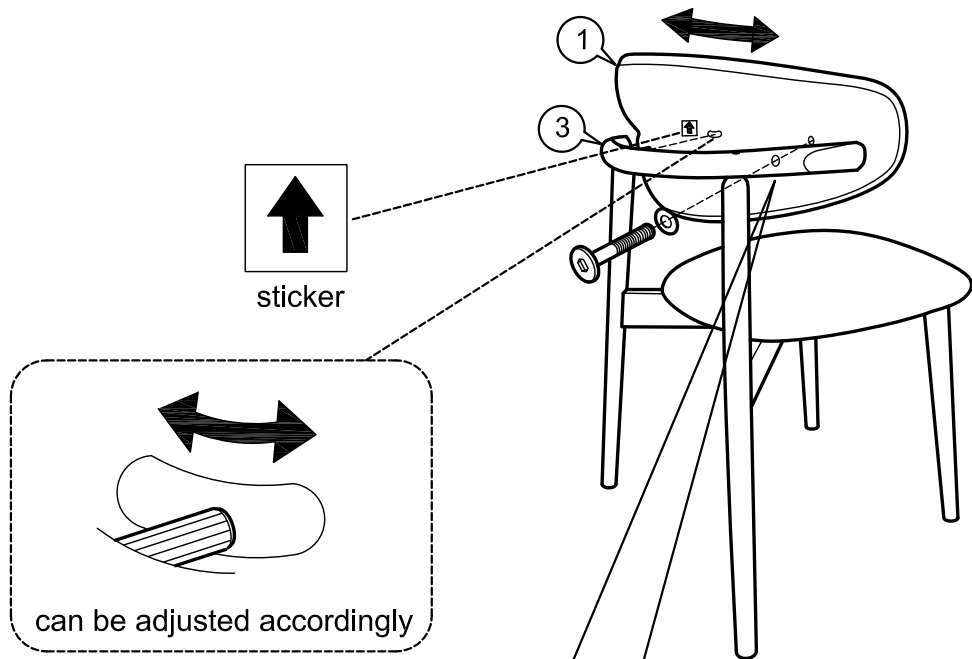
STEP 4



Do not fully tighten

(X2)

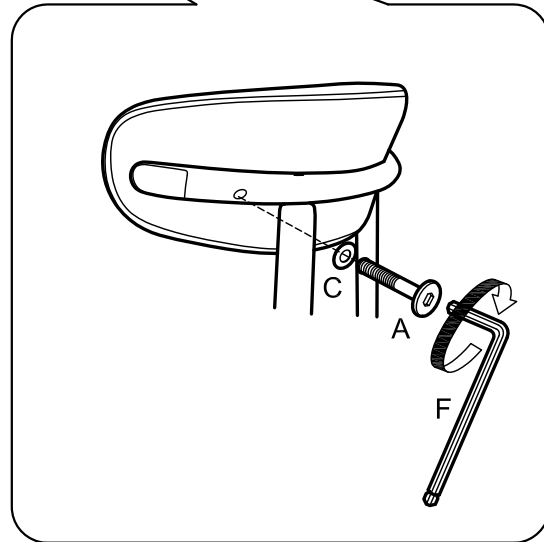
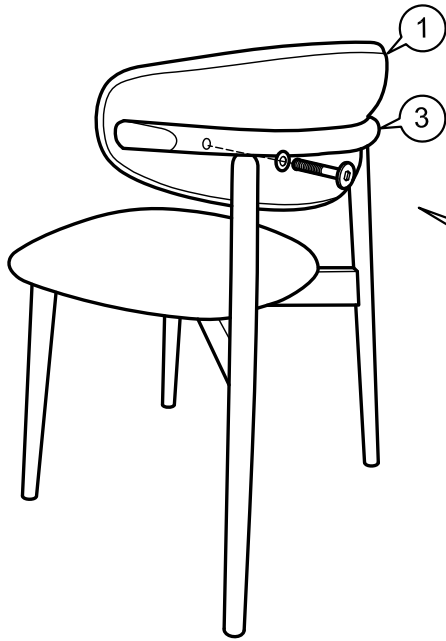
STEP 5



DO NOT FULLY TIGHTEN

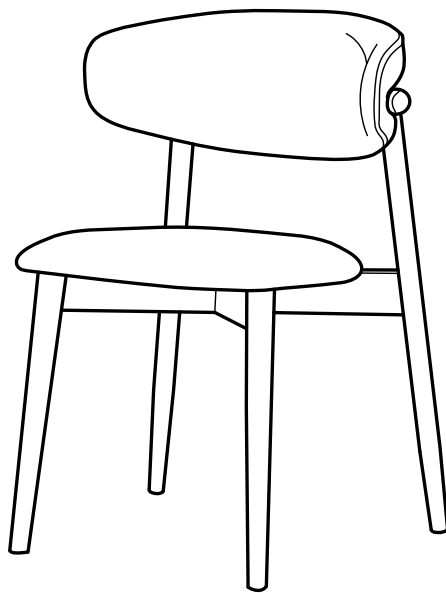
(X2)

STEP 6



(x2)

STEP 7



FULLY TIGHTEN ALL BOLTS

(X2)