

Night Stand

Assembly Instructions



Safety And Care Advice

Important – Please read these instructions fully before starting assembly.

Please check if all the components and tools listed out are received.

Please remove all fittings from the plastic bags and separate them into homologous groups.

Please keep children and animals away from the working areas; swallow small parts may cause suffocation.

Please make sure you have enough space to lay out the parts before starting.

Do not stand on the product, which could cause damage.

Please assemble the product as close to its final position as possible.

Do not place furniture directly in front of radiators, fires, or any other source of heat.

The assembly will be easier with 2 people.

Please dispose of all packaging carefully and responsibly.



General care and maintenance

Please clean with a damp cloth or mild detergent, do not use bleach or abrasive cleaners.

Do not allow the spill to stay on the surface for a long time.

Do not clean with products containing the following: acetone (e.g., nail varnish remover), ammonia (e.g.bleach), or sodium hydroxide(e.g., caustic soda, drain, and oven cleaners).

If the product is accidentally exposed to the irritating liquid, rinse thoroughly with clean water.

Mats can be used to protect surfaces from moisture and heat.

Please check whether there are missing screws in the product regularly.

The product should not be discarded with household waste, and please take it to your local authority waste disposal center.

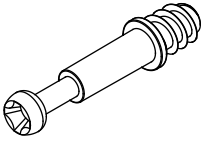

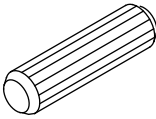

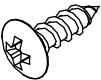
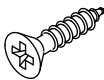
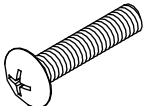
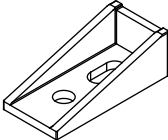
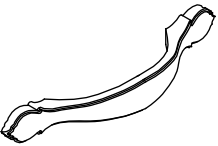
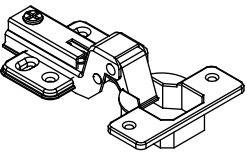
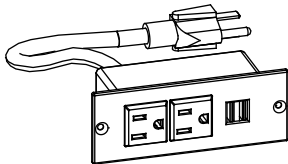
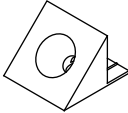
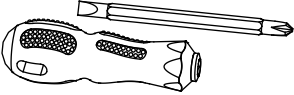
Installation Tools



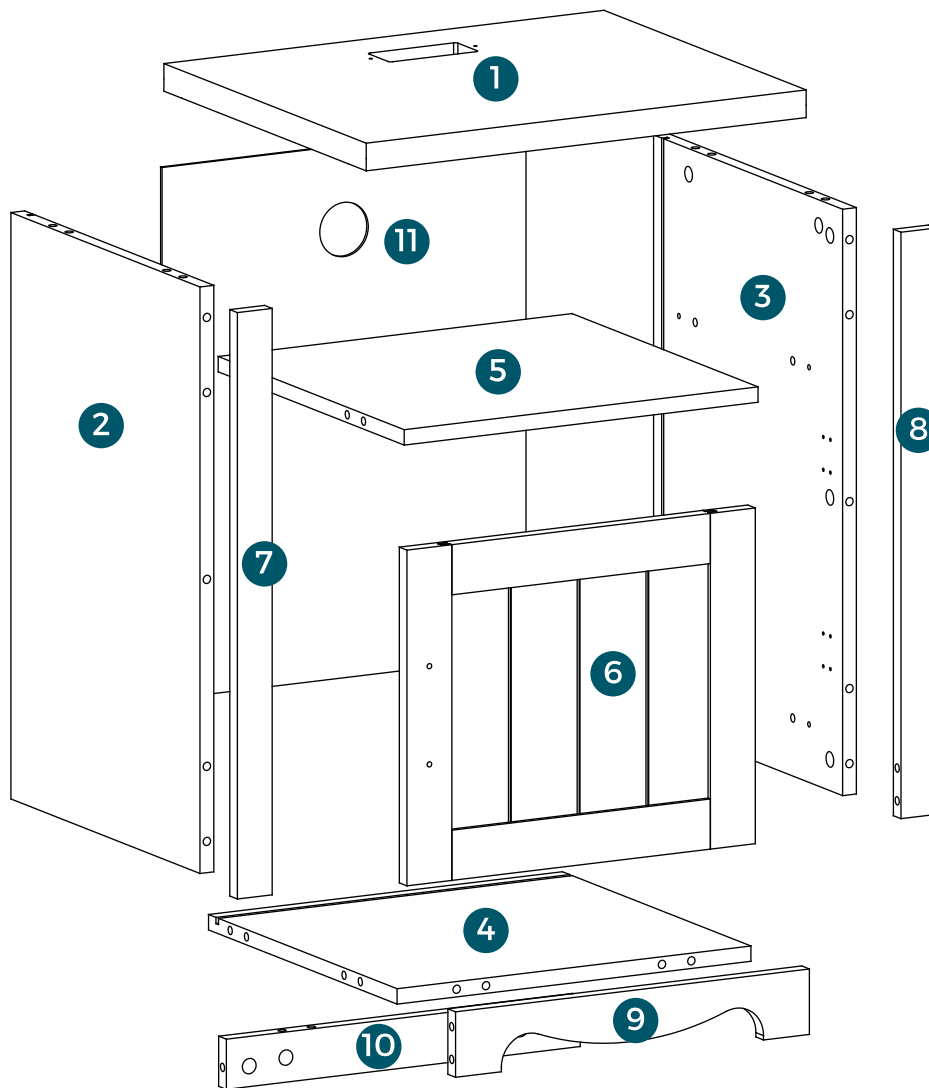
Tools Required :



Hardware List

<p>A</p>  <p>$\varnothing 6 \times 33$ mm 24x</p>	<p>B</p>  <p>$\varnothing 15 \times 10$ mm 24x</p>	<p>C</p>  <p>$\varnothing 8 \times 30$ mm 24x</p>	<p>D</p>  <p>#6*12 mm 2x</p>
<p>E</p>  <p>#6*12 mm 2x</p>	<p>F</p>  <p>#6*16 mm 16x</p>	<p>G</p>  <p>M4*19 mm 2x</p>	<p>H</p>  <p>1x</p>
<p>I</p>  <p>1x</p>	<p>J</p>  <p>2x</p>	<p>K</p>  <p>1x</p>	<p>L</p>  <p>4x</p>
<p>M</p>  <p>1x</p>			

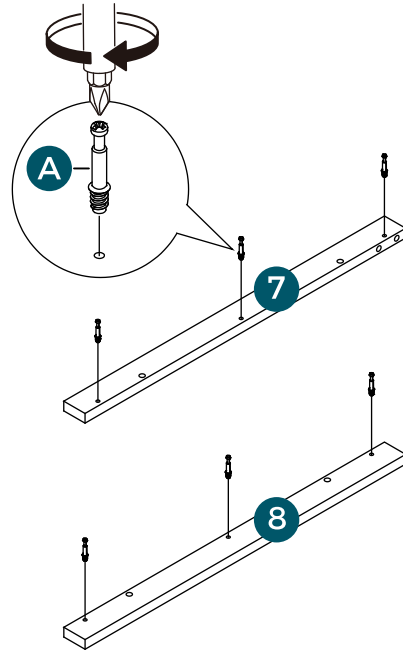
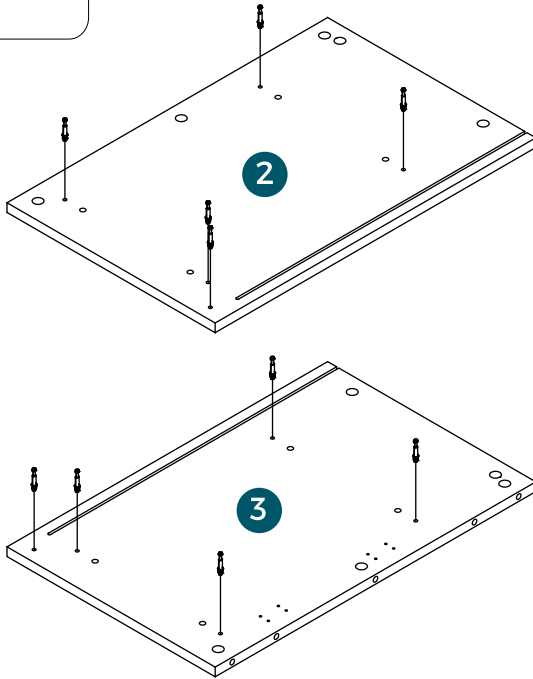
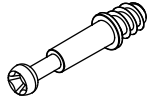
Parts List



Assembly Instructions

Step 1

A x 16pcs

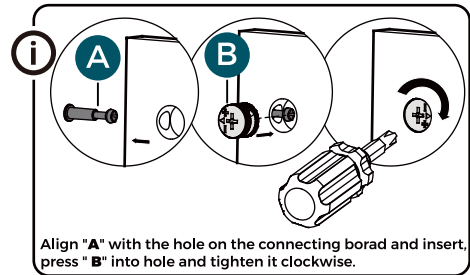
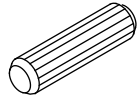


Step 2

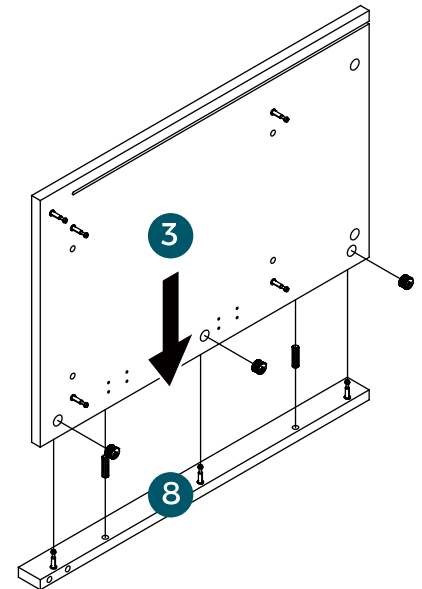
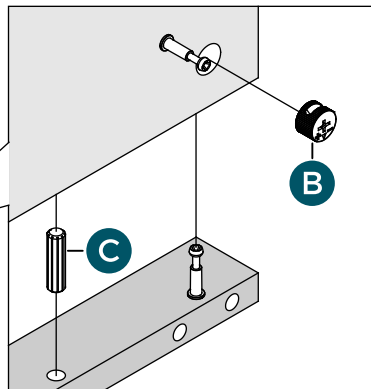
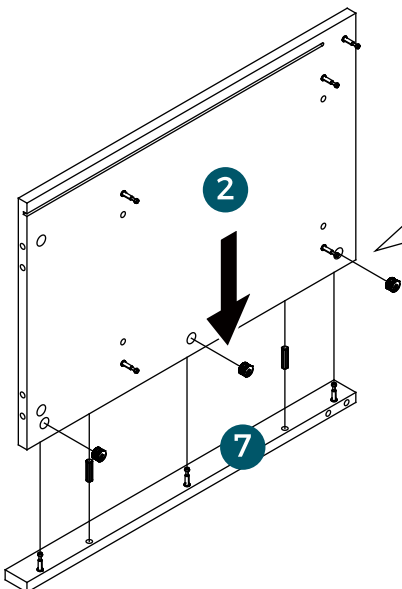
B x 6pcs



C x 4pcs



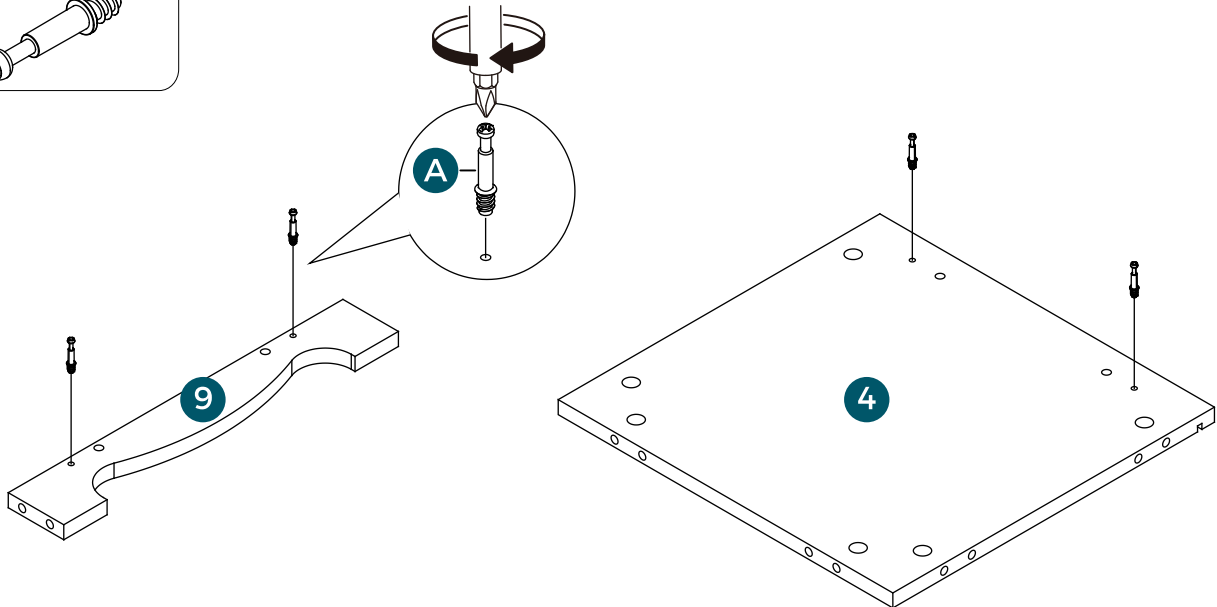
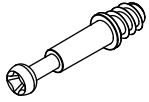
Align "A" with the hole on the connecting board and insert, press "B" into hole and tighten it clockwise.



Assembly Instructions

Step 3

A x 4pcs

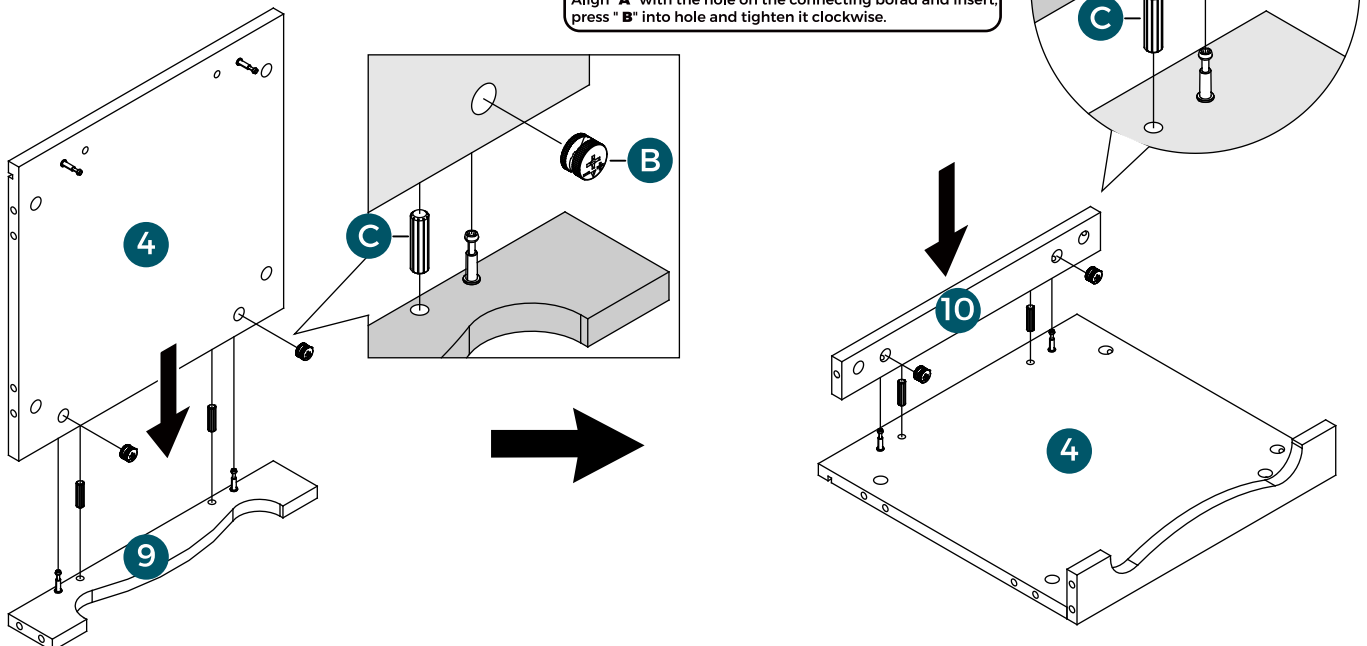
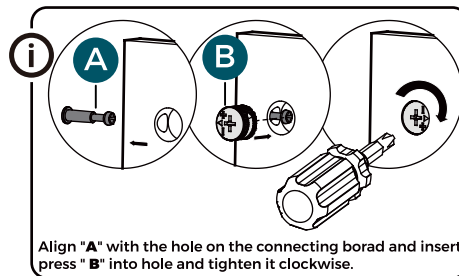
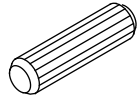


Step 4

B x 4pcs



C x 4pcs



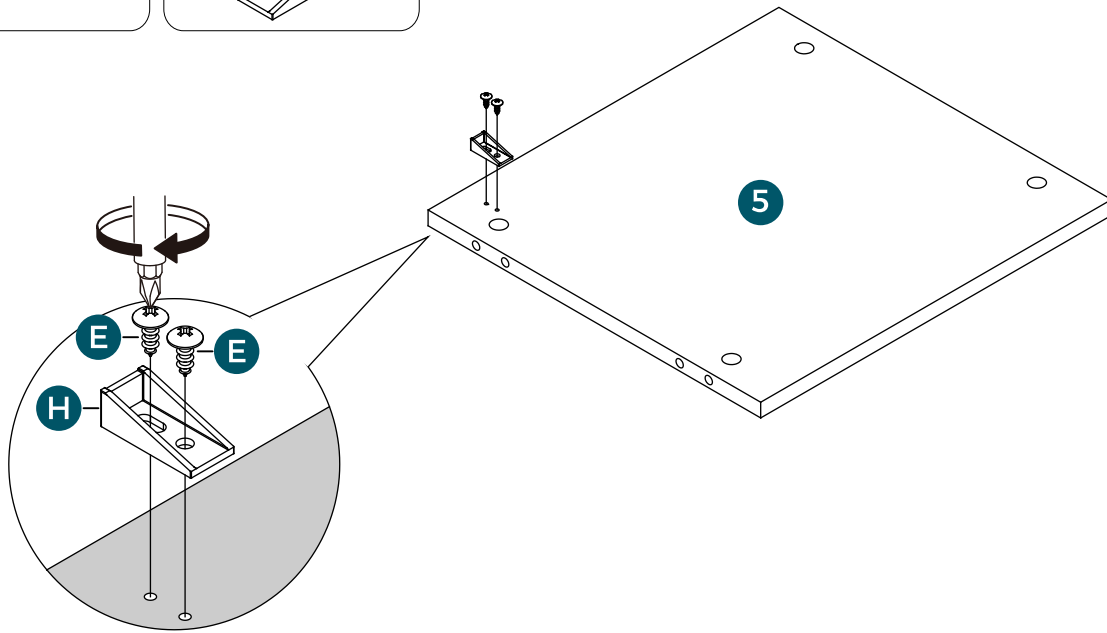
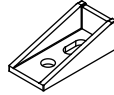
Assembly Instructions

Step 5

E x 2pcs



H x 1pc

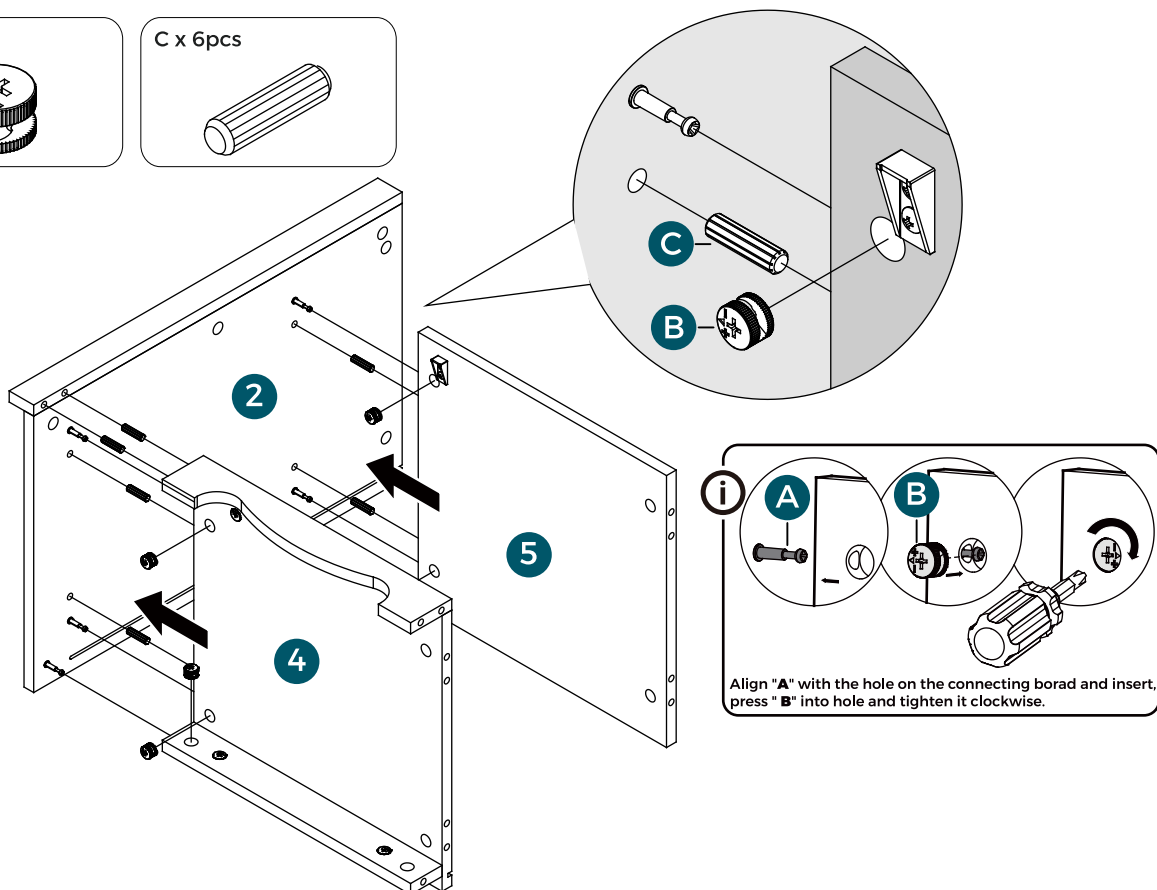
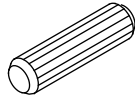


Step 6

B x 5pcs



C x 6pcs



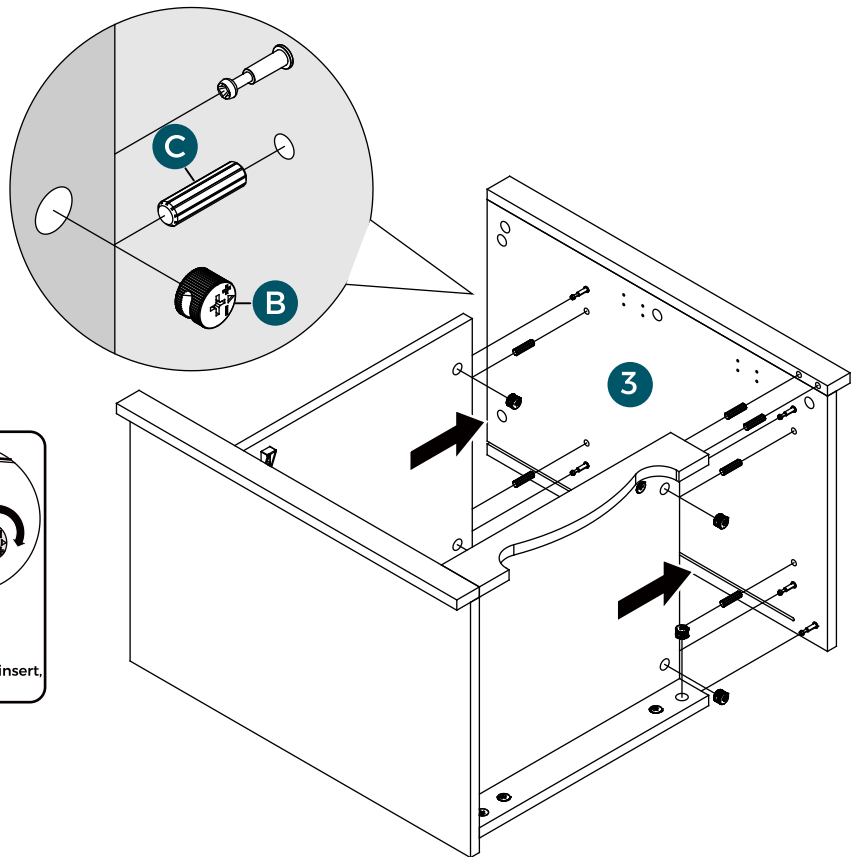
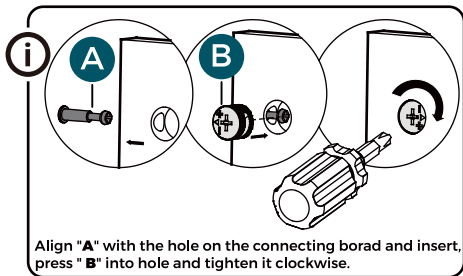
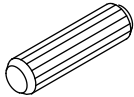
Assembly Instructions

Step 7

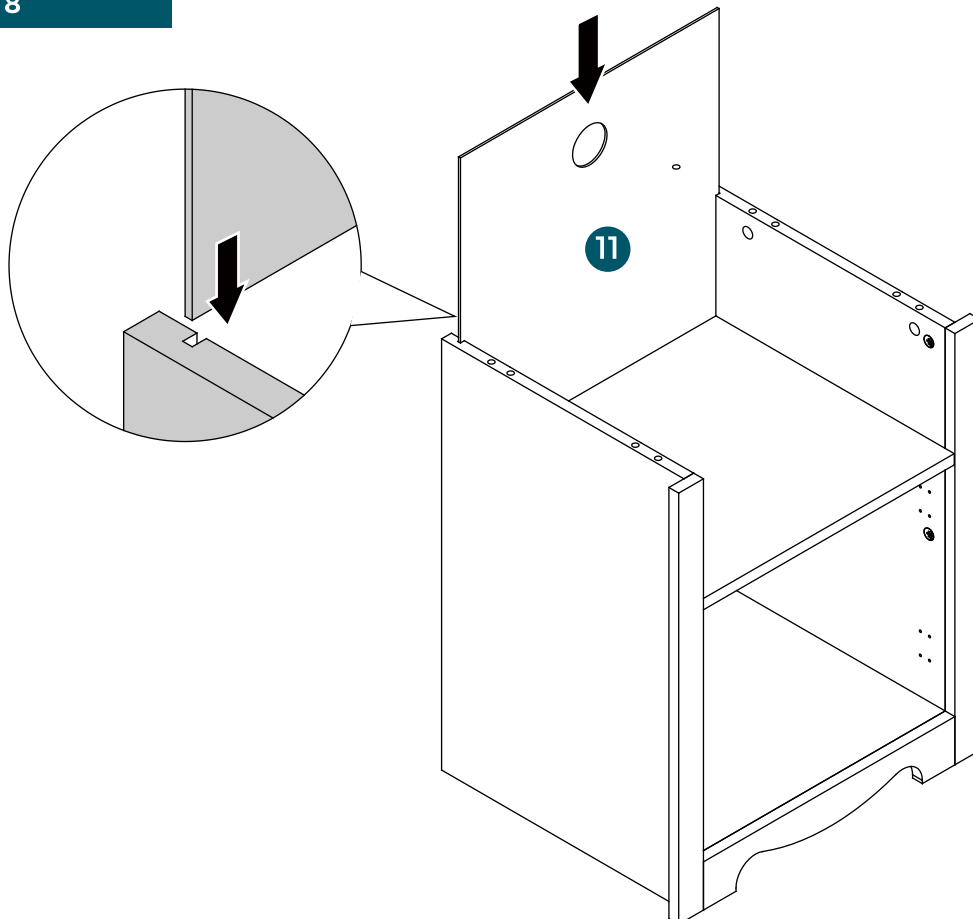
B x 5pcs



C x 6pcs



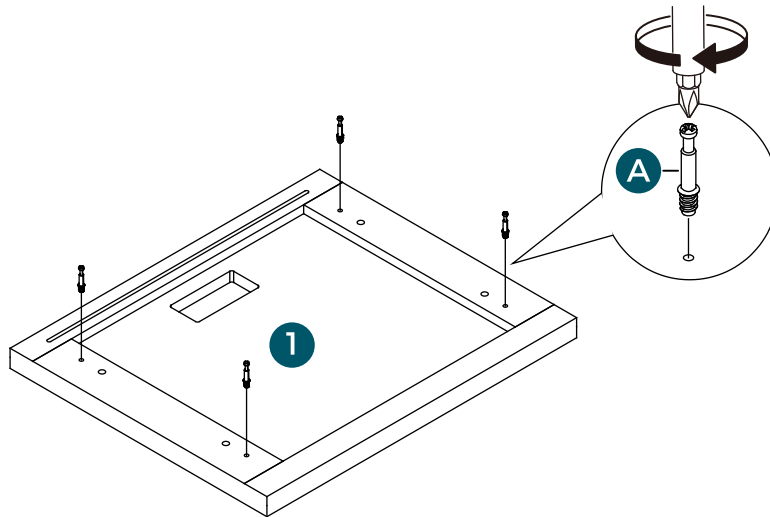
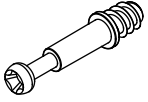
Step 8



Assembly Instructions

Step 9

A x 4pcs

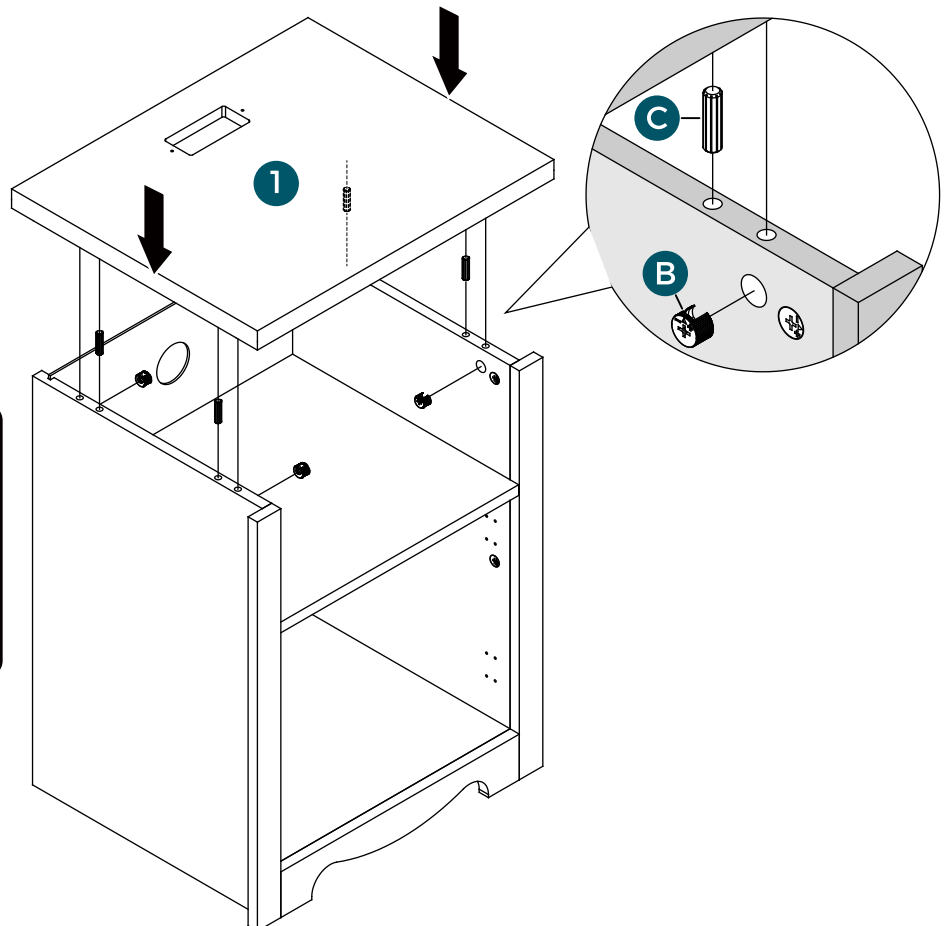
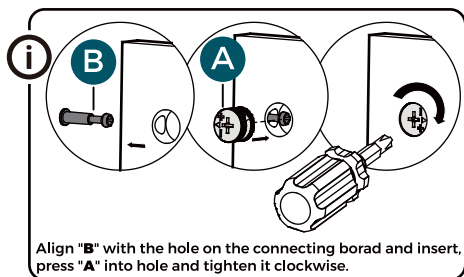
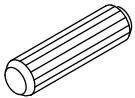


Step 10

B x 4pcs



C x 4pcs



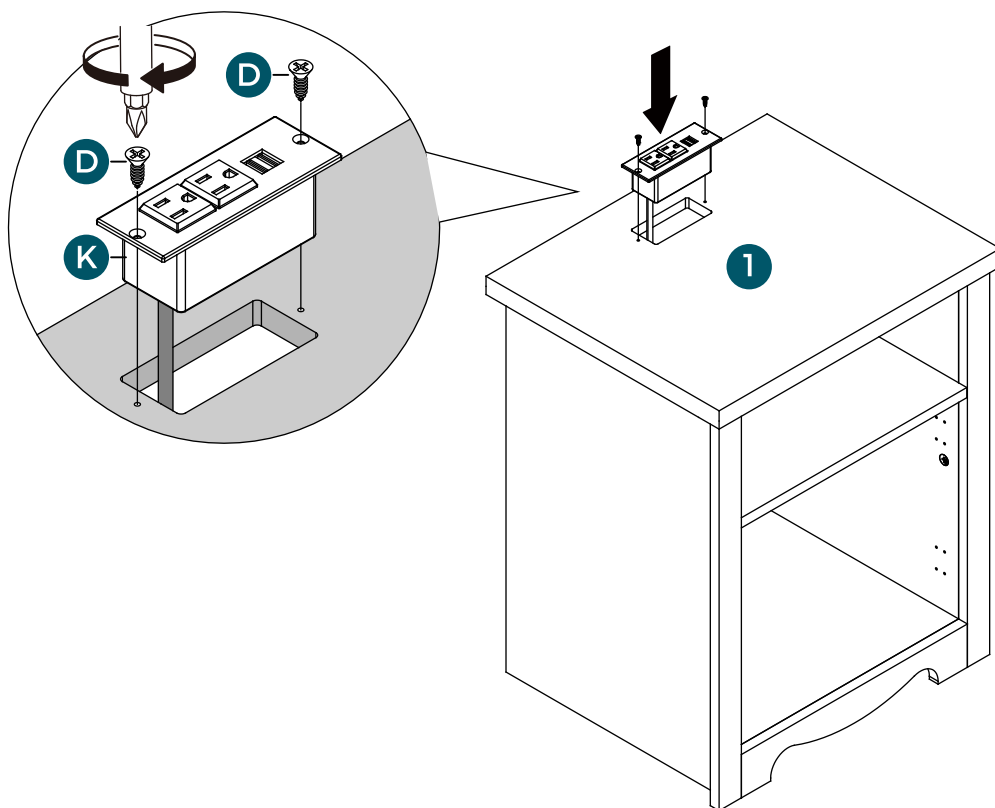
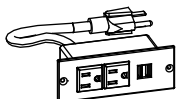
Assembly Instructions

Step 11

D x 2pcs



K x 1pc

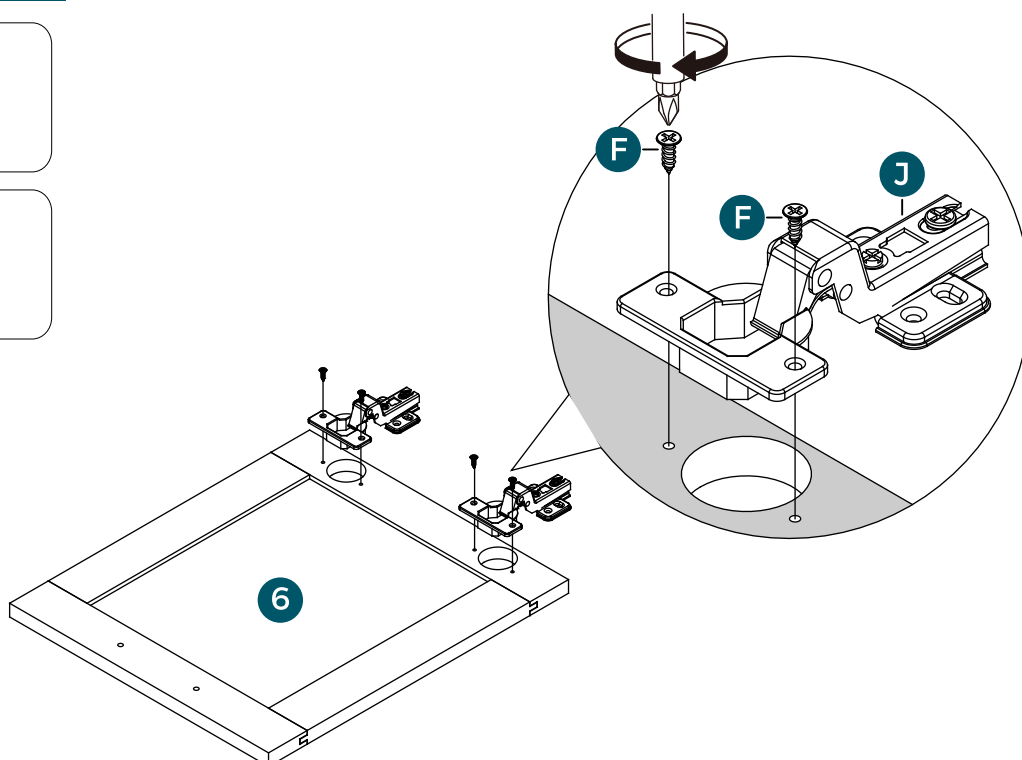
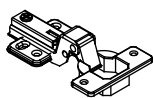


Step 12

F x 4pcs



J x 2pcs



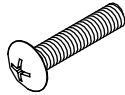
Assembly Instructions

Step 13

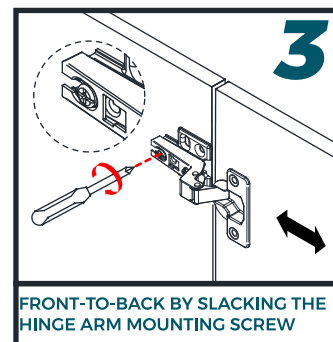
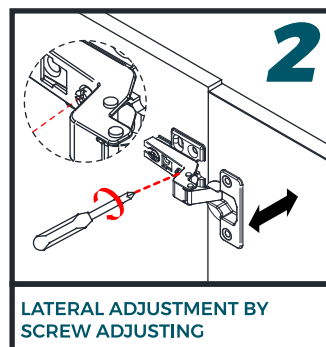
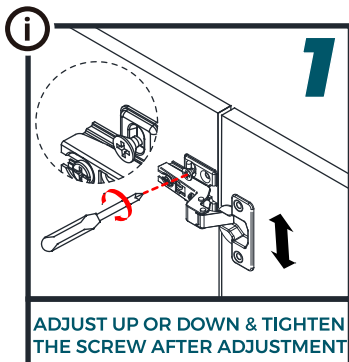
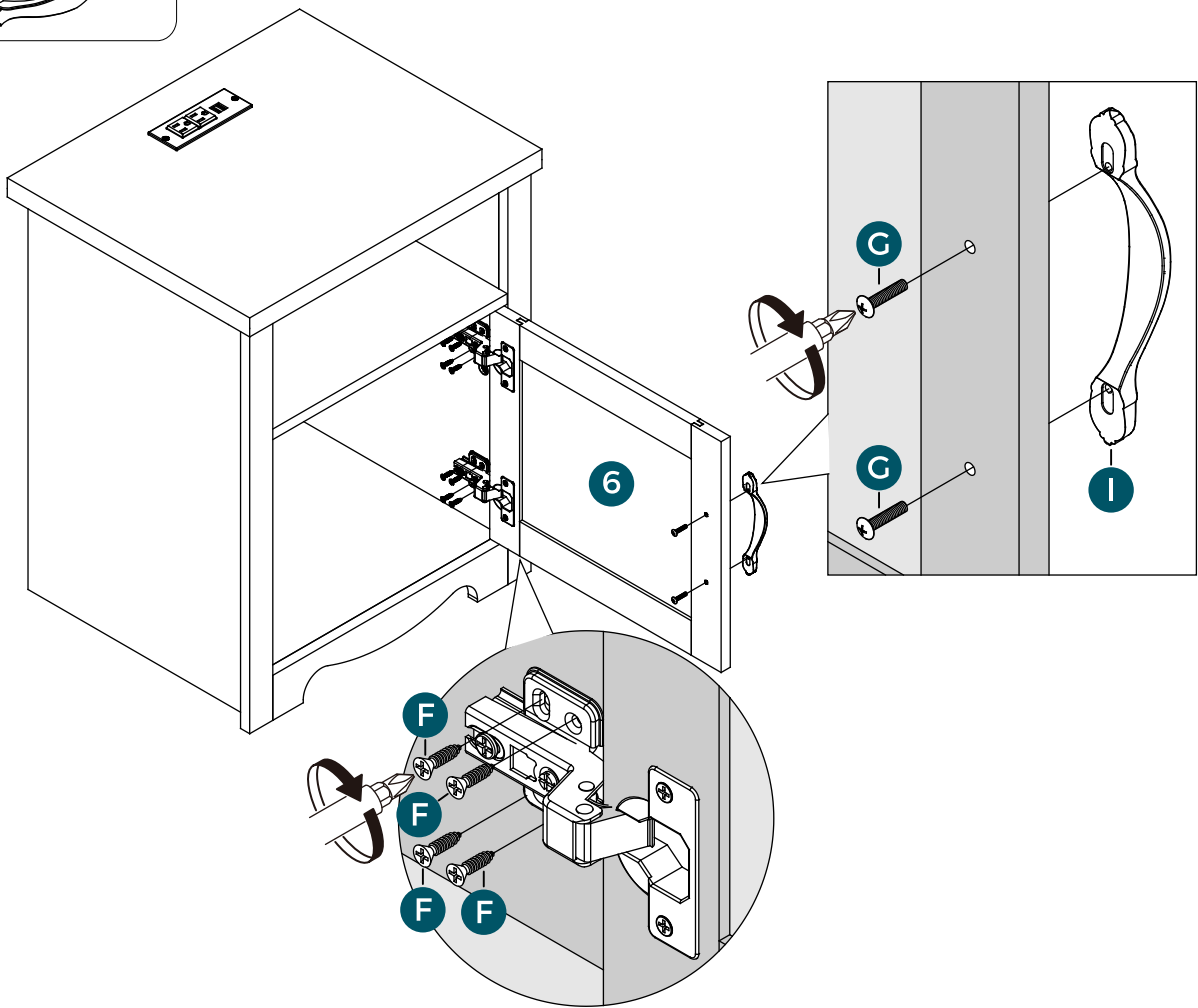
F x 8pcs



G x 2pcs



I x 1pc



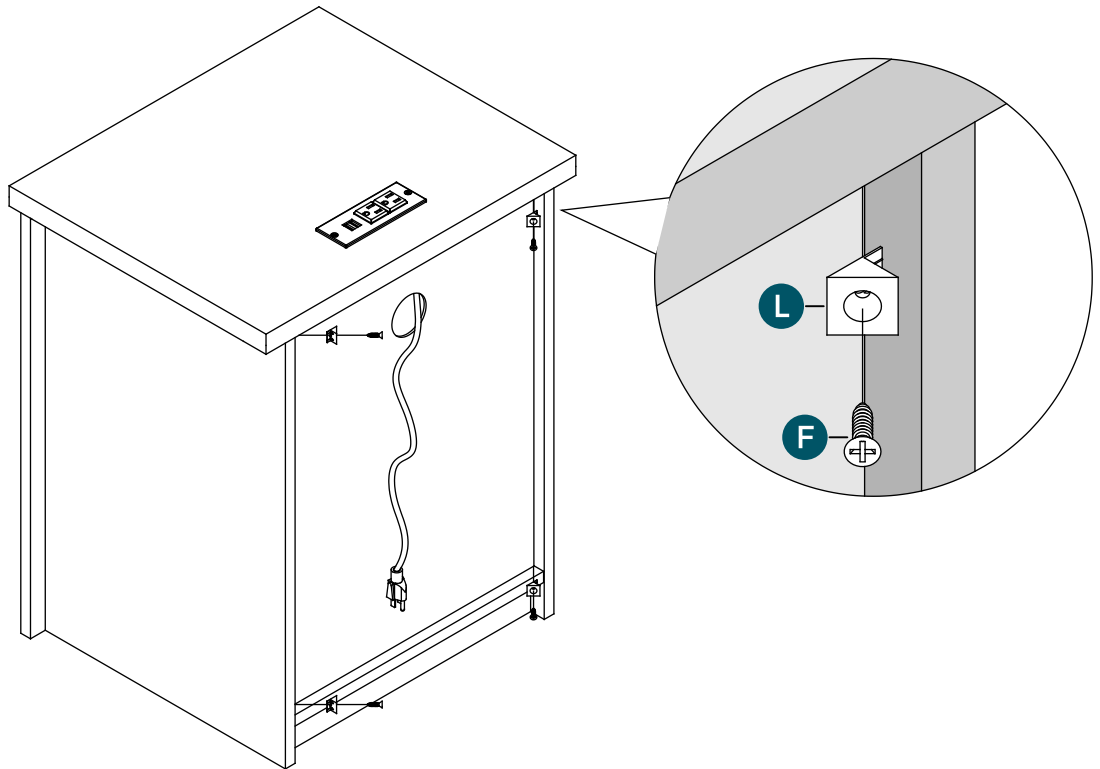
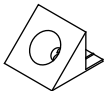
Assembly Instructions

Step 14

F x 4pcs



L x 4pcs



Step 15

