

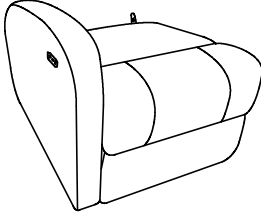
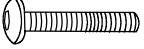
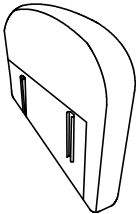

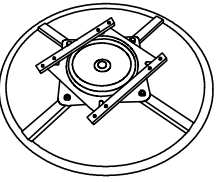
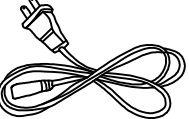
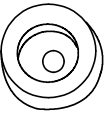


# ASSEMBLY INSTRUCTION

Ax1 	Fx4 
Bx1 	Gx4 
Cx2 	Hx1 
Dx1 	Jx1 
Ex4 	Kx1 