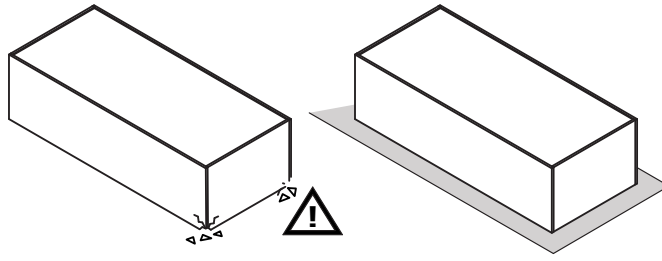
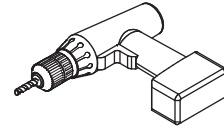
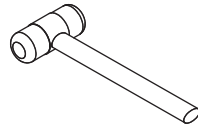
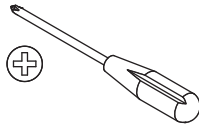


1h



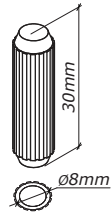
G119
x4



G122
x10



G123
x4



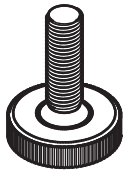
H1
x10



H70
x2



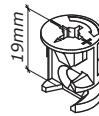
H118
x4



P14
x4



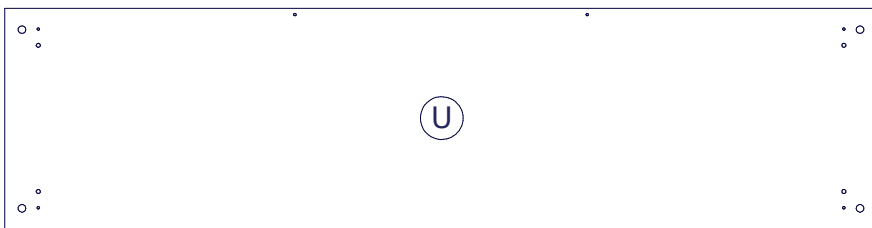
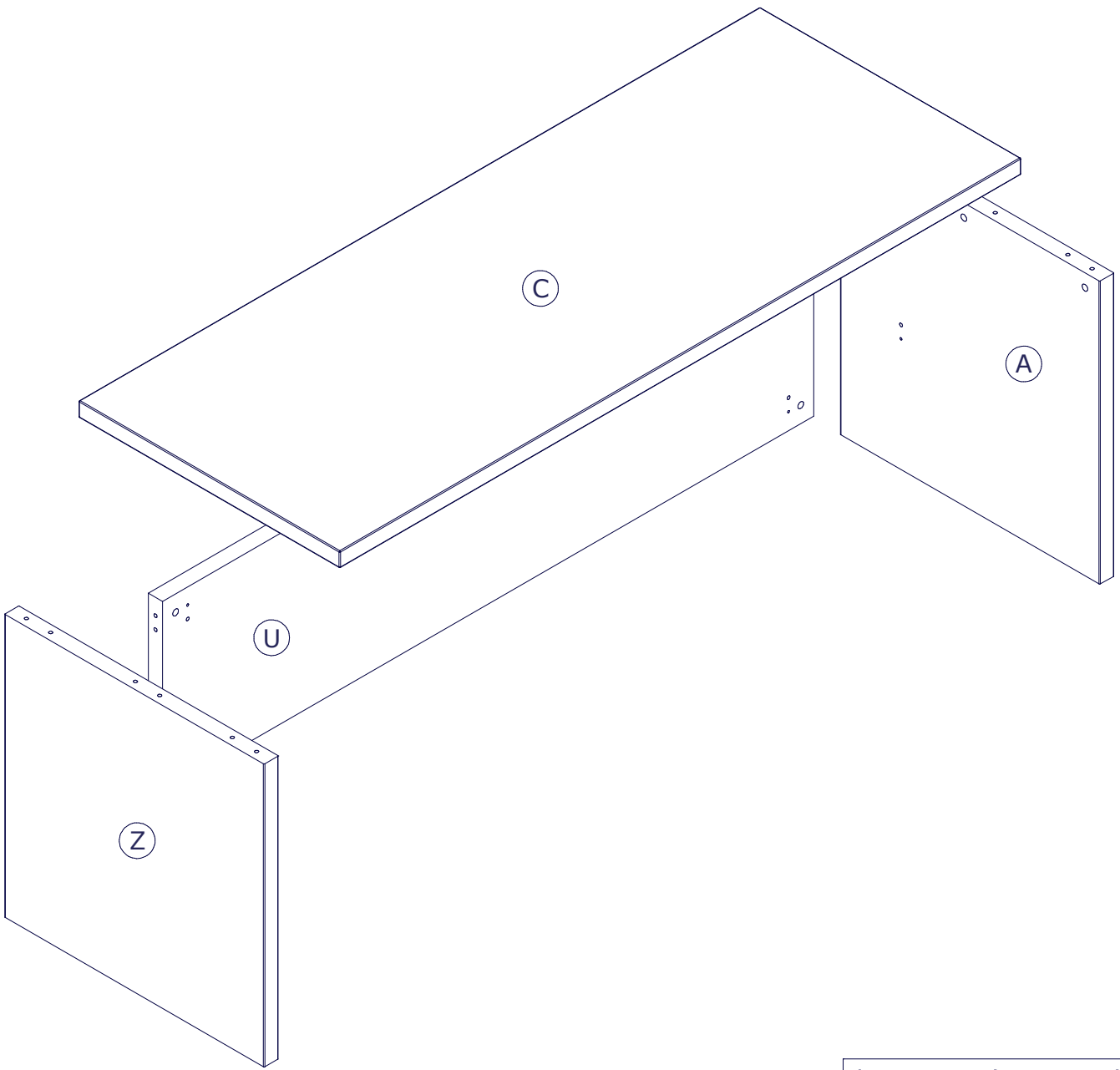
T28
x10



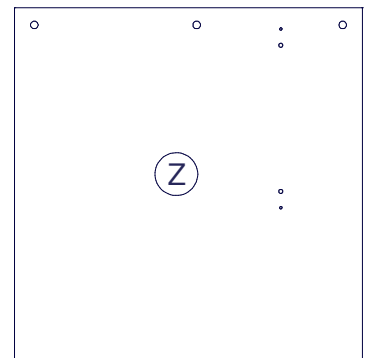
T97
x10



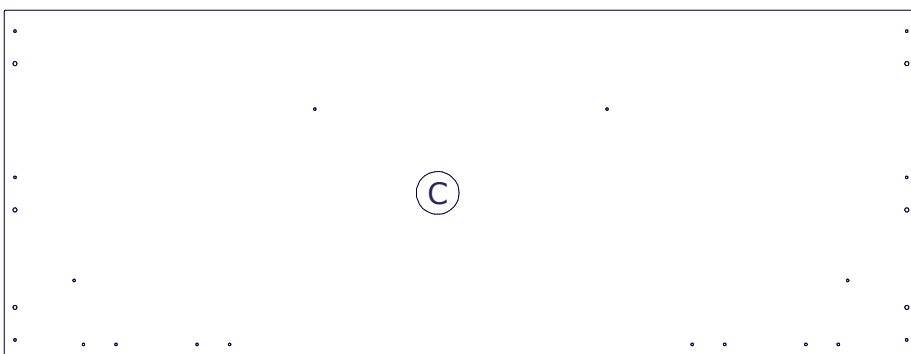
V13
x4



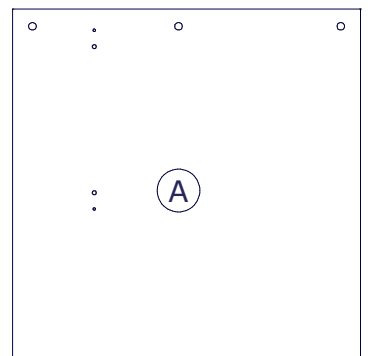
• **FS2461**
1720x436x38mm



• **F17106**
936x686x38mm

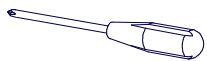


• **CA2900**
1800x690x38mm

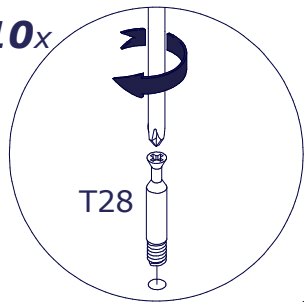


• **F17105**
936x686x38mm

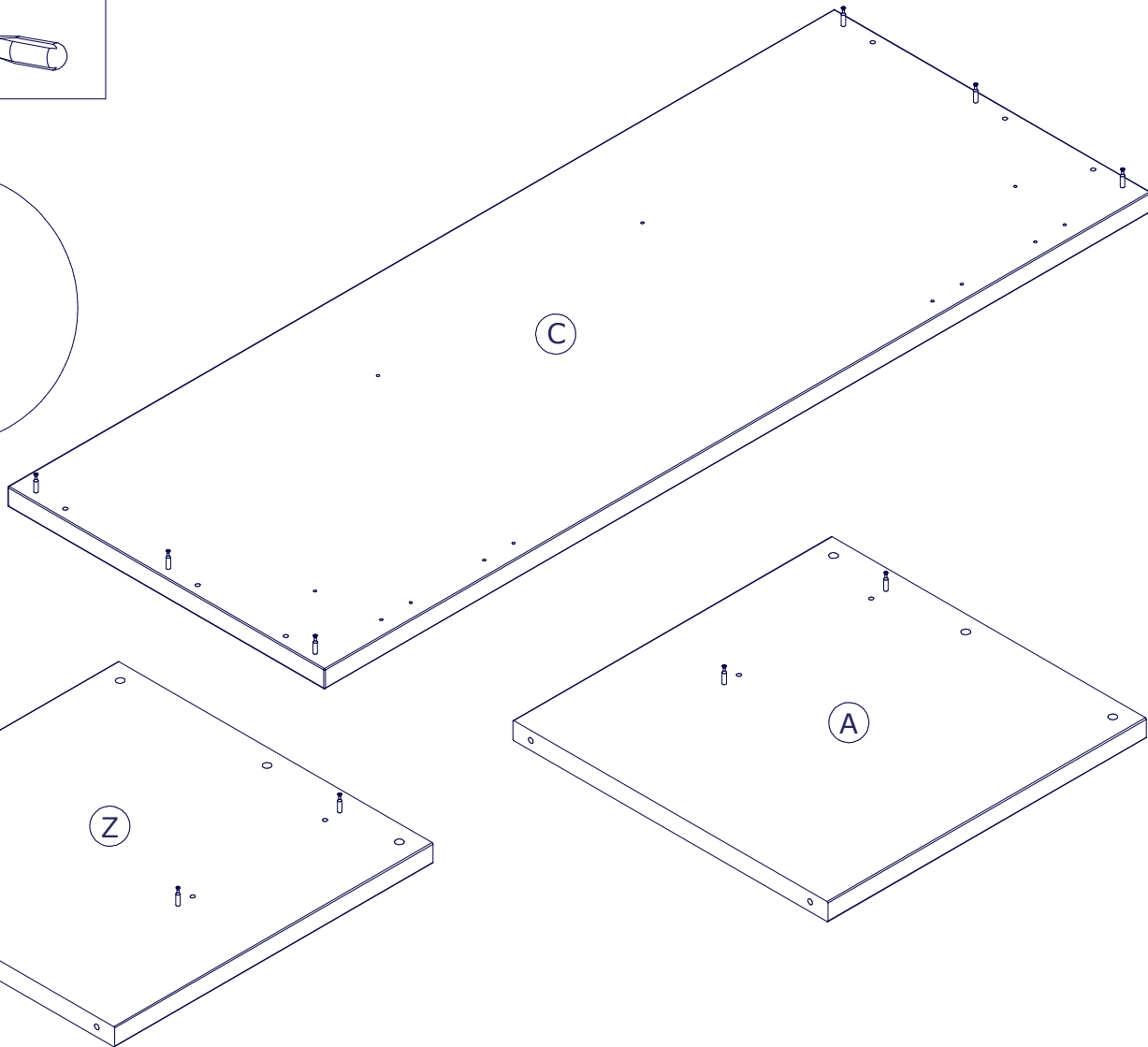
1



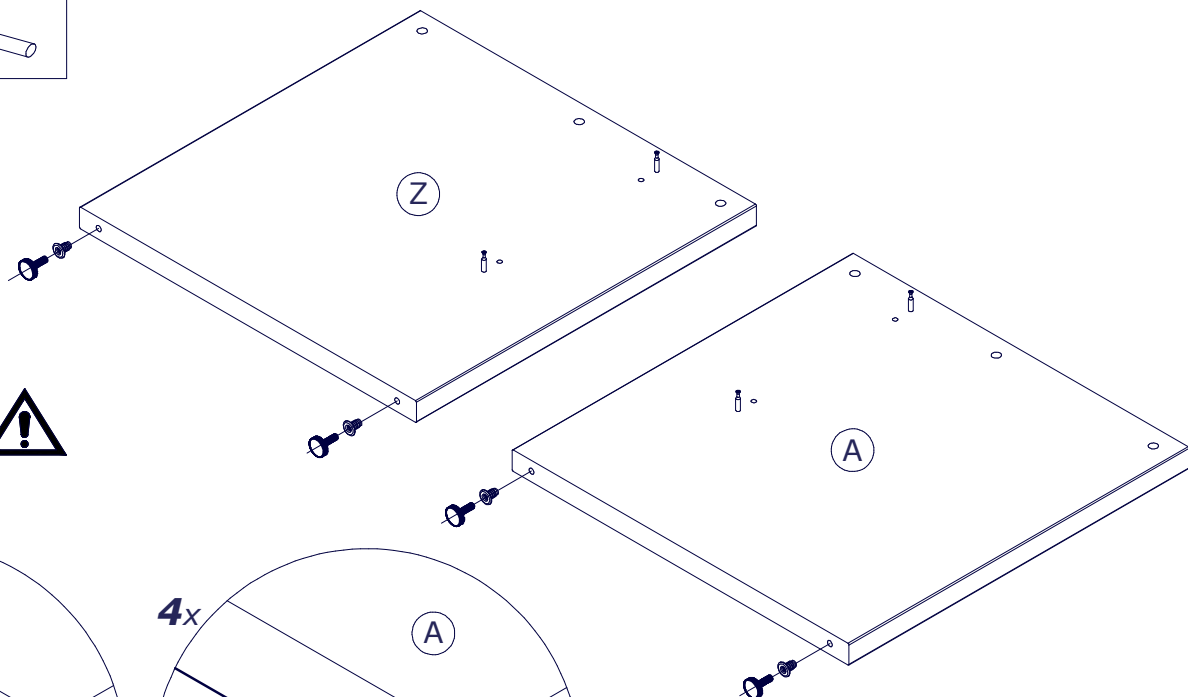
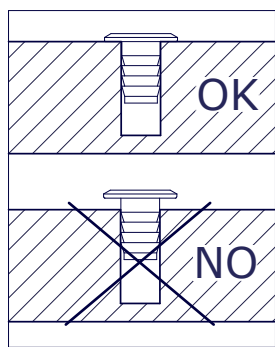
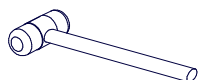
10x



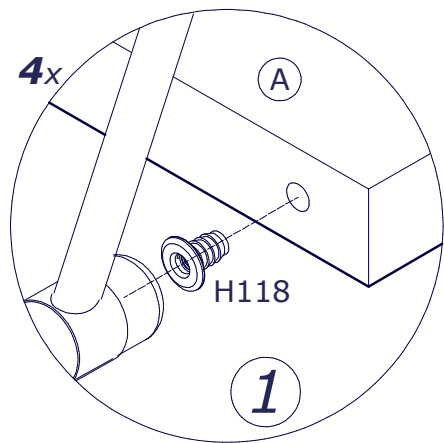
T28



2



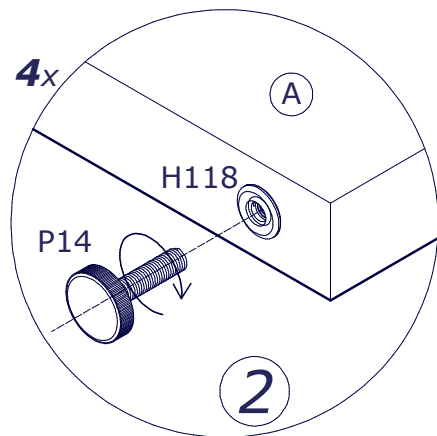
4x



H118

1

4x

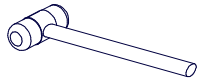


H118

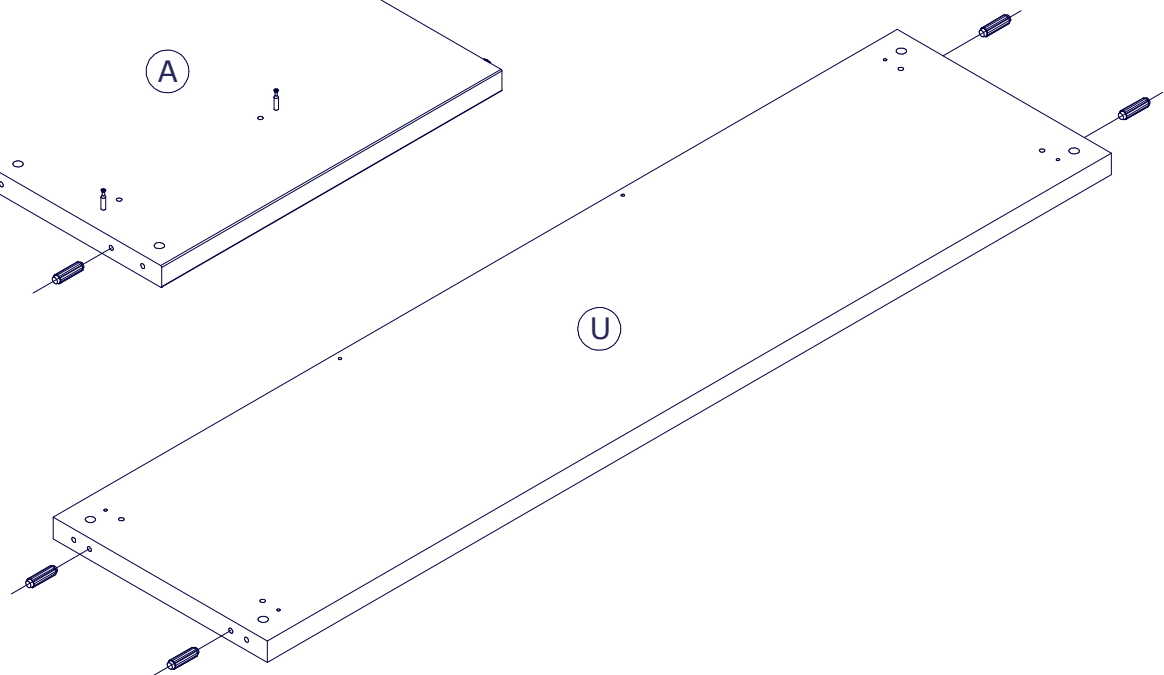
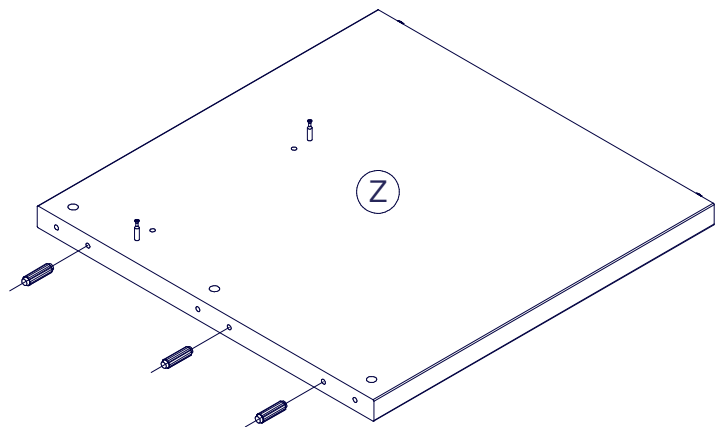
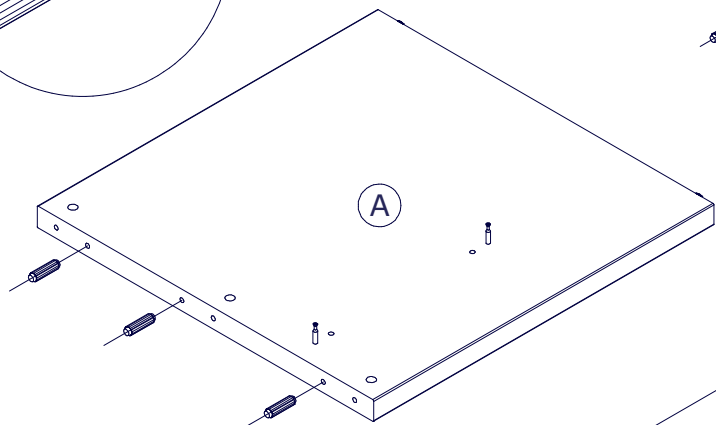
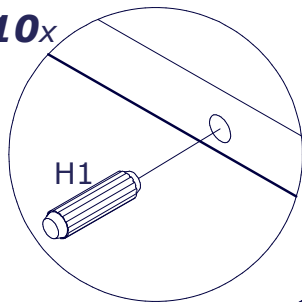
P14

2

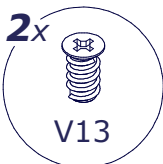
3



10x



4



2x
V13

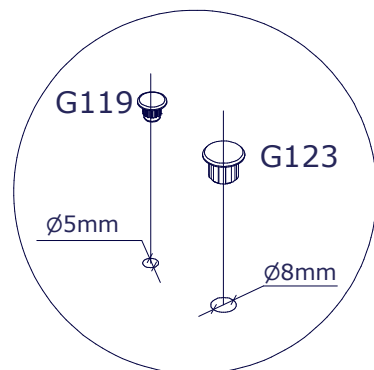
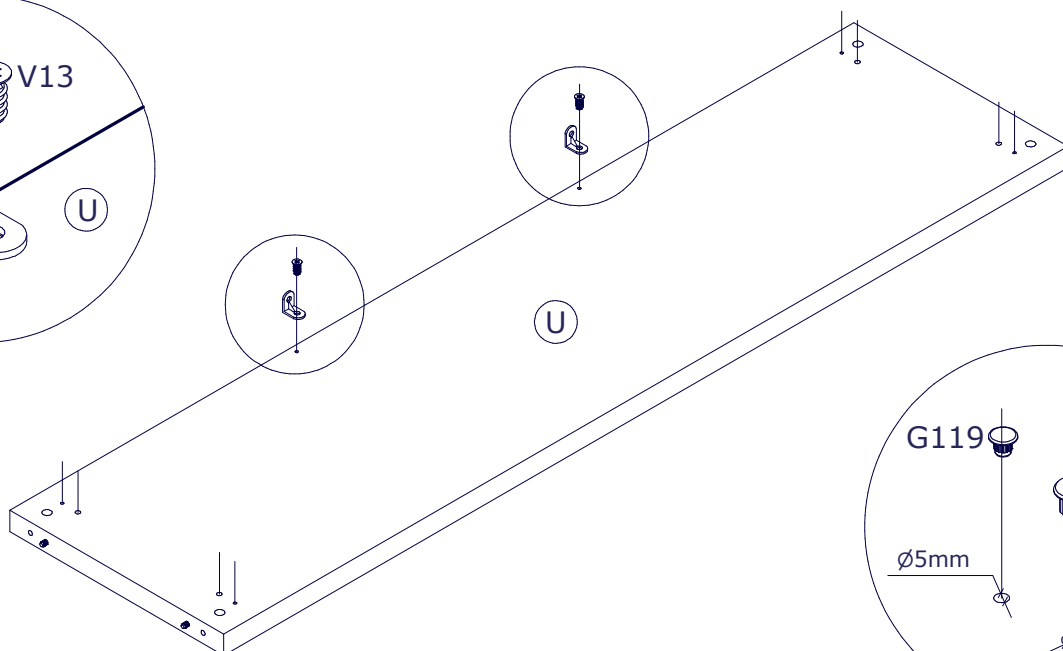
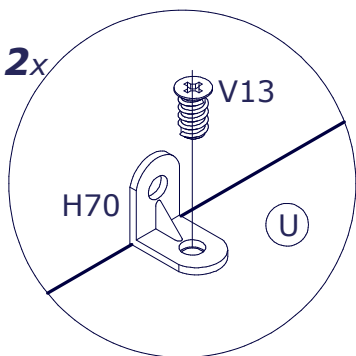


4x
G123



4x
G119

2x



5

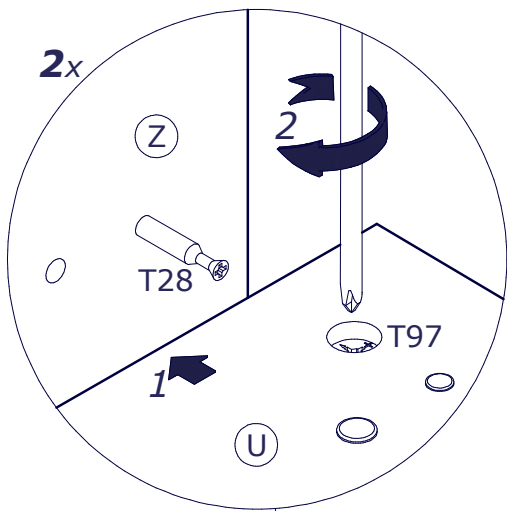


4x



G122

2x



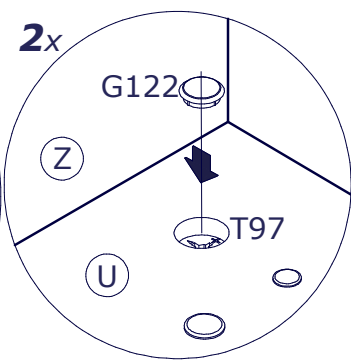
T28



T97

U

2x



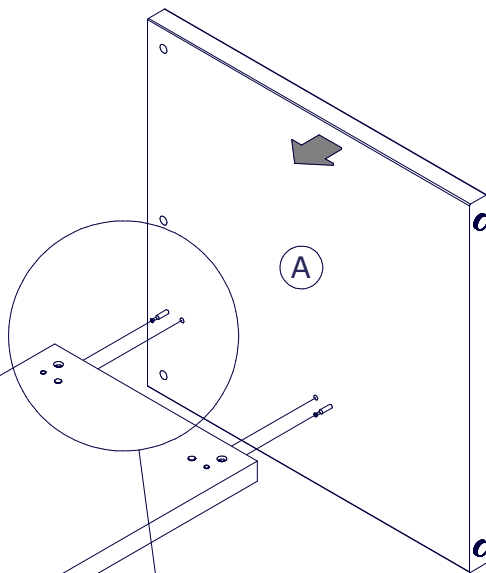
G122

T97

Z

U

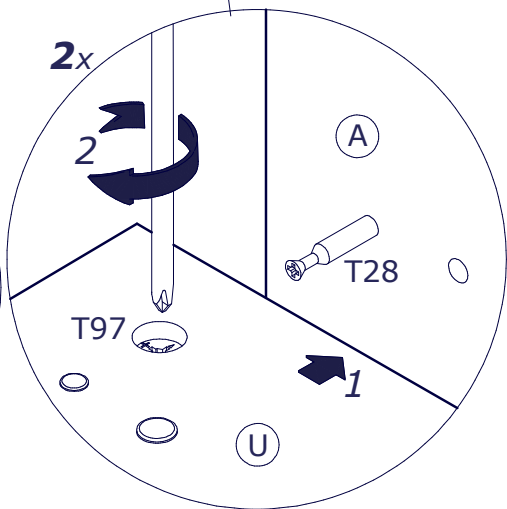
U



A

Z

2x



T28

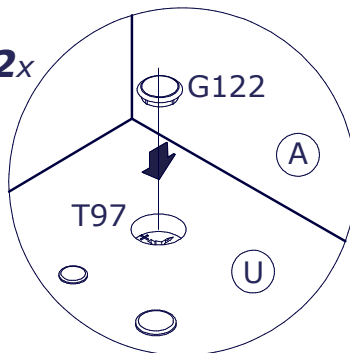


T97

A

U

2x



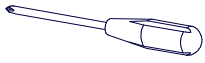
G122

T97

A

U

6



6x

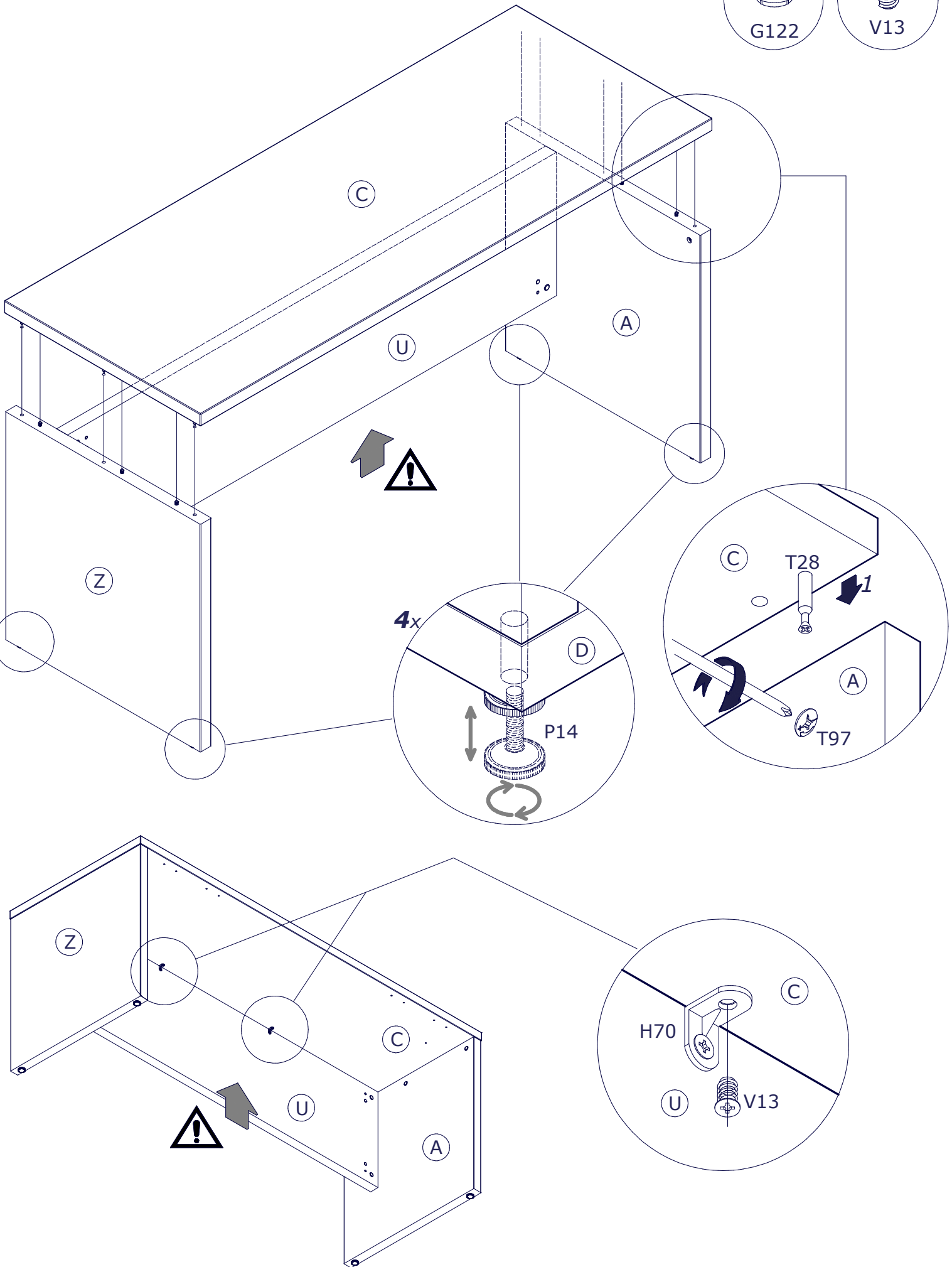


G122

2x



V13



4x

P14

T28

1

T97

H70

U

V13