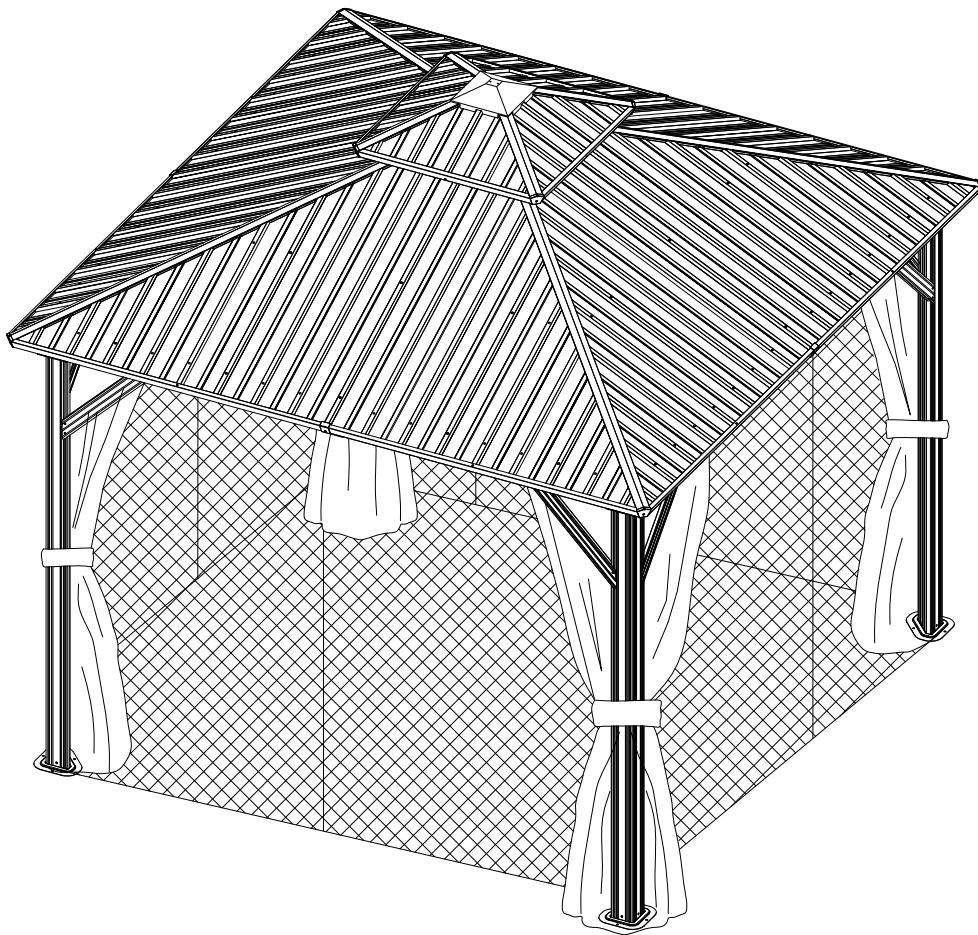


# 10'x10' Metal Patio Gazebo

## ASSEMBLY MANUAL



**MODEL#:LGMF1618B**

Missing part? Damaged? Contact us via email at

[service@domioutdoorliving.com](mailto:service@domioutdoorliving.com)

[www.domioutdoorliving.com](http://www.domioutdoorliving.com)

## Pre-assembly



1. Two or more people are required for assembly.



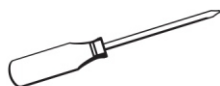
2. You will need one or more stepladders.



3. Wearing protective gloves is recommended.



4. You may need a safety hat.



5. Please use a Phillips screw driver.



6. For ease of construction, you may need a drill.



7. You may need a safety goggle.



8. Do not fully tighten screws prior to complete assembly.

## Warning & Attention

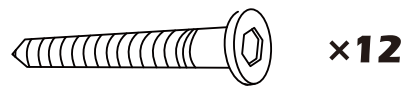
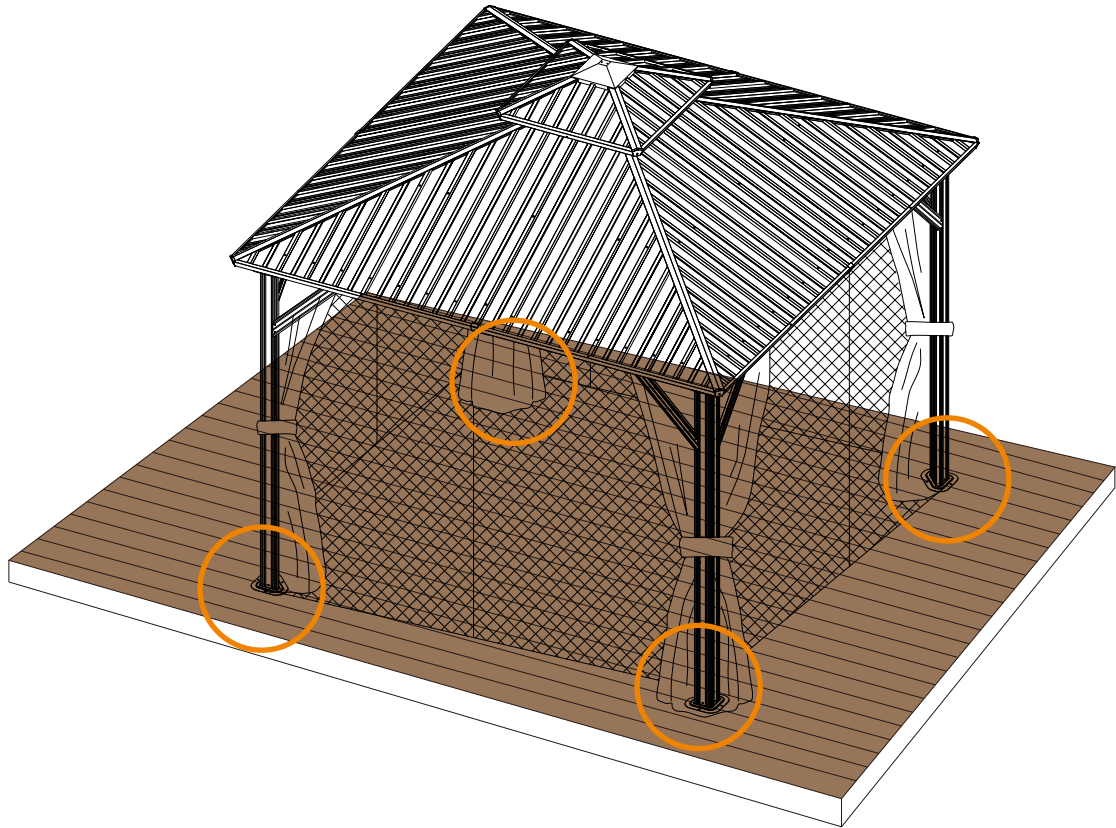
-Try to assemble this product on the flat ground, otherwise it is difficult to carry out;

-It would be much easier to assemble the product with three or more people;

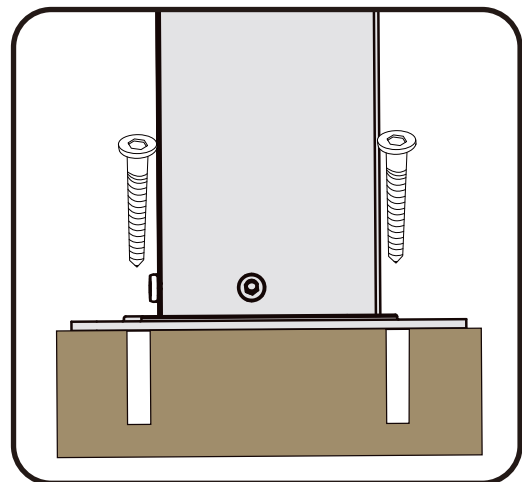
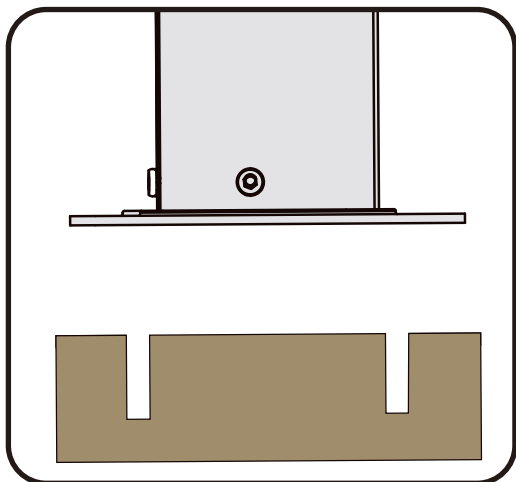
-After assembly, please check whether all screws are tightened, to prevent parts from falling apart.

▲ Use bolts to secure the frame to the ground to against the strong wind.

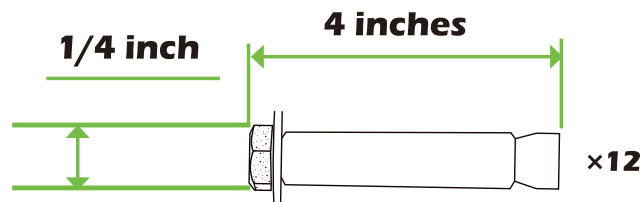
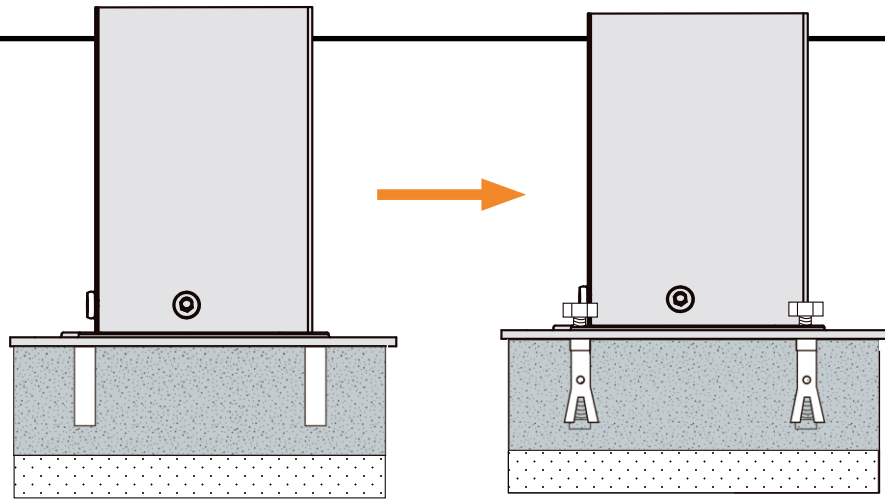
1



If the deck is hard wood and the depth of it is over 3 inch, you can use **5/16 in. x4 in. Structural Wood Screw** to mount the gazebo.

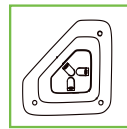
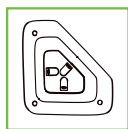


2



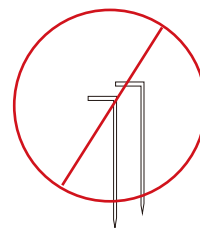
If the ground is concreted and the depth of it is over 3 inch, you can use 1/4 inch expansion bolts to mount the gazebo

3



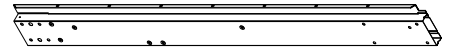
Or you can make a concrete footing for gazebo, **15×15×15 inches** is recommended. use expansion bolts to mount the pergola like ② shows.

**IMPORTANT:**  
Anchor is not recommended





A 4x Pole



C 4x Beam



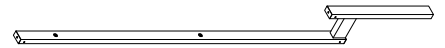
C1 4x Beam



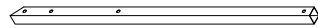
E 4x Corner Roof Bar



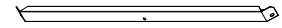
E1 4x Corner Roof Bar Connector



E2 4x Roof Bar



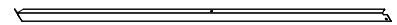
F 8x Solidfying Bar



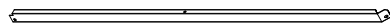
H 4x Finishing Bar



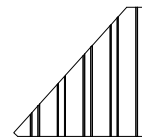
J 4x Finishing Bar



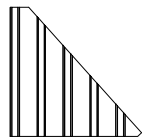
K 4x Finishing Bar



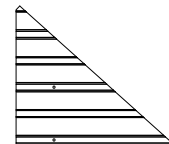
K1 4x Finishing Bar



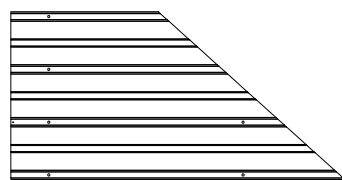
L1 4x Roof Panel



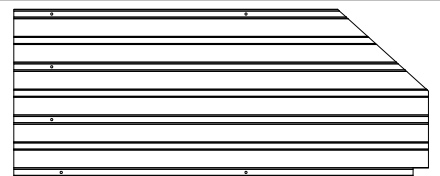
L2 4x Roof Panel



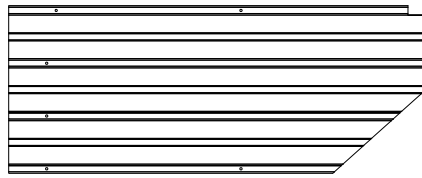
M1 4x Roof Panel



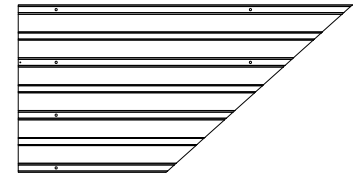
M2 4x Roof Panel



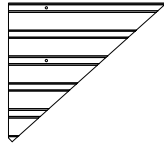
M3 4x Roof Panel



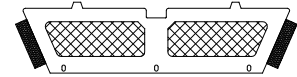
**M4** 4x Roof Panel



**M5** 4x Roof Panel



**M6** 4x Roof Panel



**Q** 4x Net Frame



**T** 4x Track



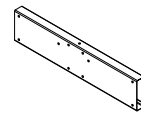
**T1** 4x Track



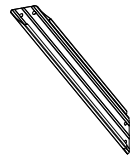
**B** 4x Base



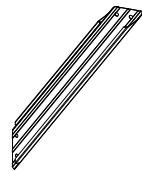
**B1** 8x Bracket



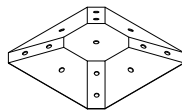
**C2** 4x Union Bar



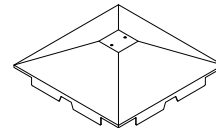
**R** 4x Corner Solidifying Bar



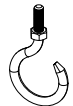
**R1** 4x Corner Solidifying Bar



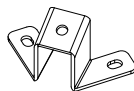
**S** 1x Inside Roof Cover



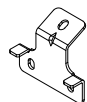
**S1** 1x Outside Roof Cover



**S2** 1x J-Hook



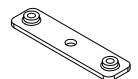
**U** 4x Bracket



**U1** 4x Bracket



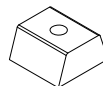
**U2** 4x Bracket



**U3** 4x Bracket



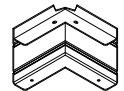
**V** 96x Hook



**W** 80x Spacer



**X** 4x Joint Cover



**X1** 4x Corner Cover



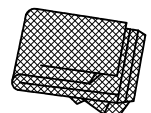
**X2** 4x Finishing End



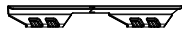
**X3** 12x Finishing End



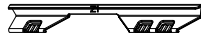
**Y** 4x Curtain



**Y1** 4x Mosquito Netting



Z 56x



Z1 4x



Z2 4x



Z3 4x



Z4 4x



1 1x



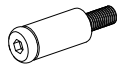
ST6.3x15

2 24x



ST5x16

3 24x



M6x35

4 32x



M6

5 80x



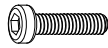
M6x10

7 16x



M6x16

8 200x



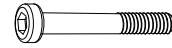
M6x25

9 8x



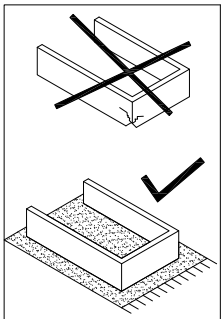
M6x28

10 56x



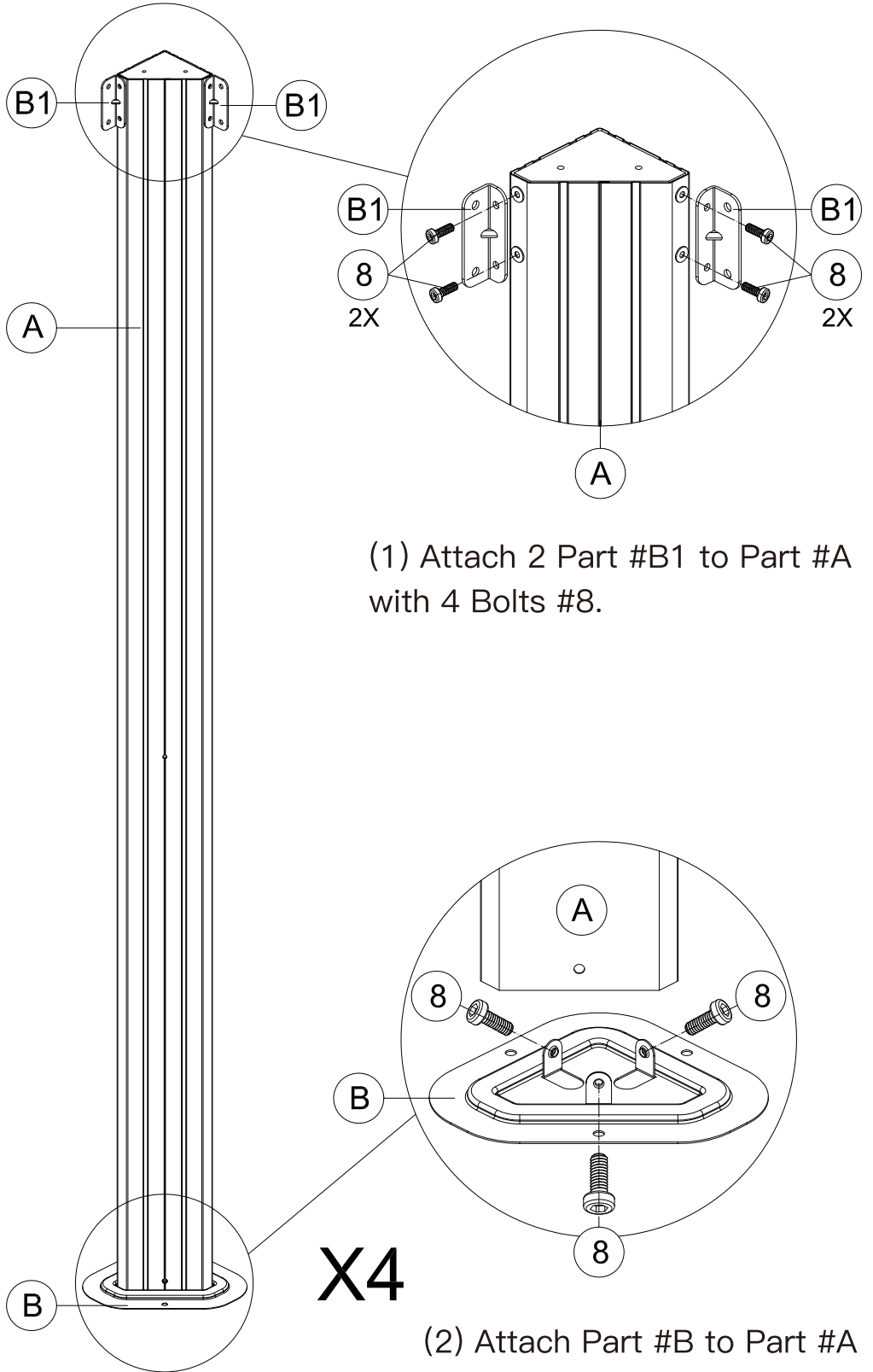
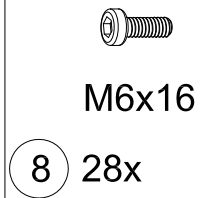
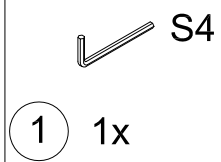
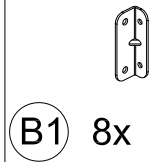
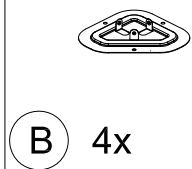
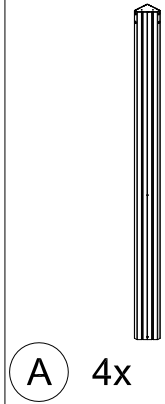
M6x50

12 16x



4

# POST ASSEMBLY:



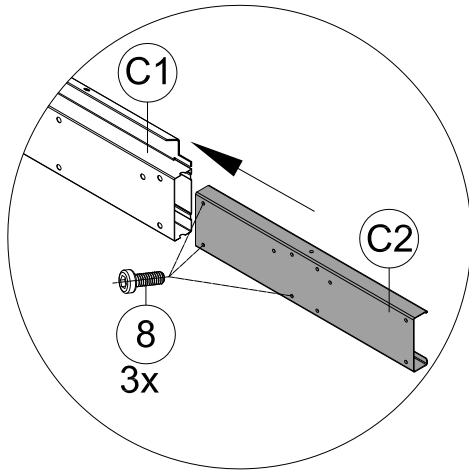
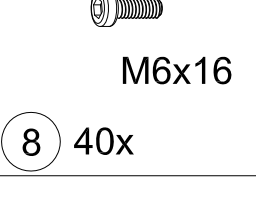
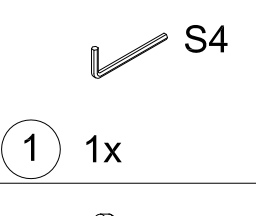
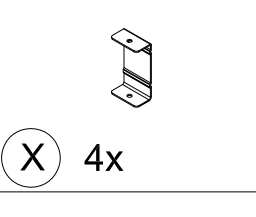
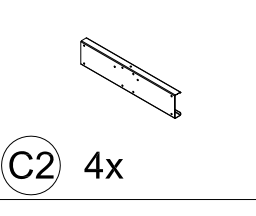
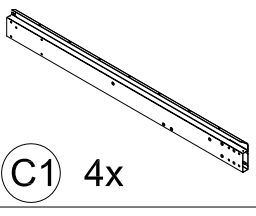
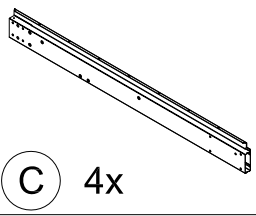
(1) Attach 2 Part #B1 to Part #A with 4 Bolts #8.

**X4**

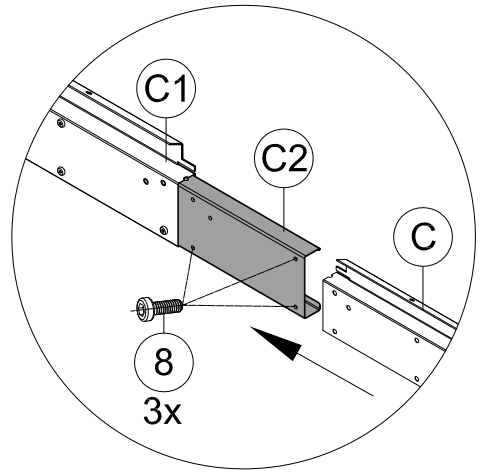
(2) Attach Part #B to Part #A with 3 Bolts #8.

(3) Repeat the above procedures to assemble the other 3 Part #A.

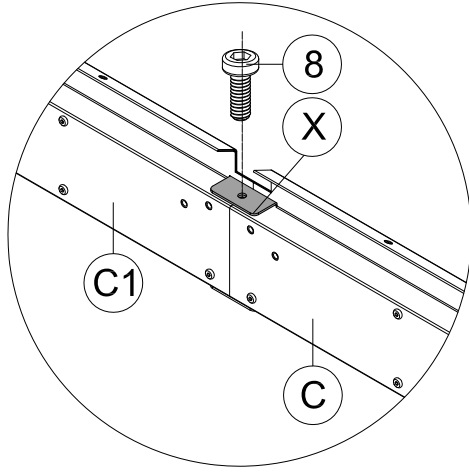
# BEAM ASSEMBLY:



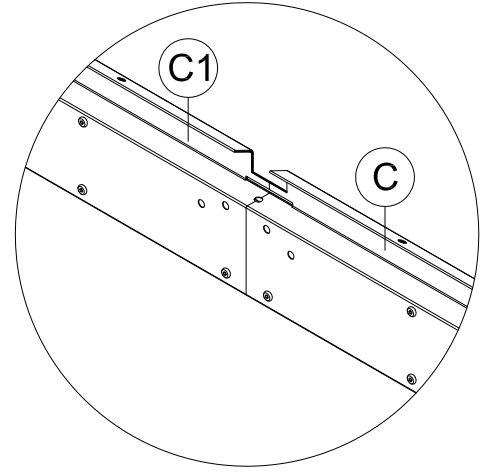
(1) Insert Part #C2 into Part #C1 and secure with 3 Bolts #8.



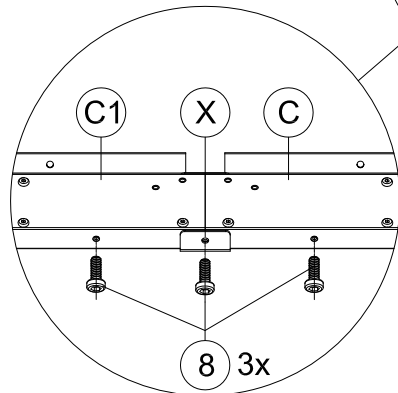
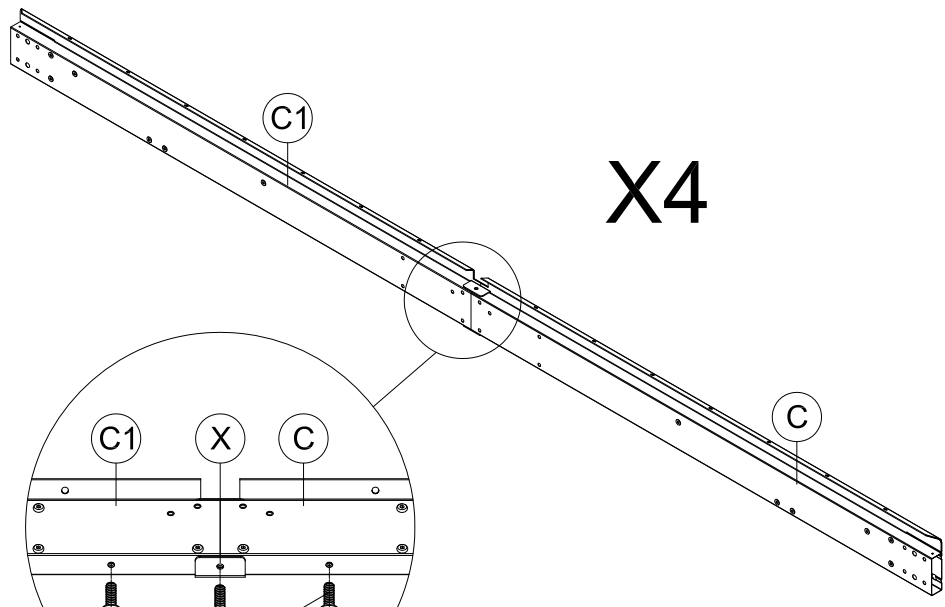
(2) Insert the other side of Part #C2 into Part #C and secure with 3 Bolts #8.



(4) Insert Part #X into the beam and secure with 1 Bolt #8.

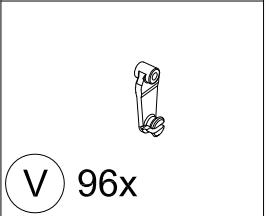
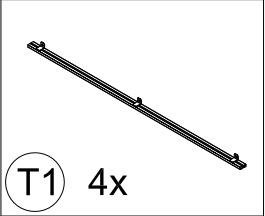
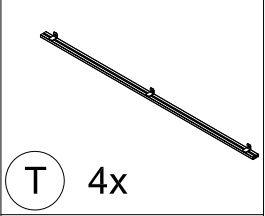


(3) Connect Part #C1 and Part #C through Part #C2.



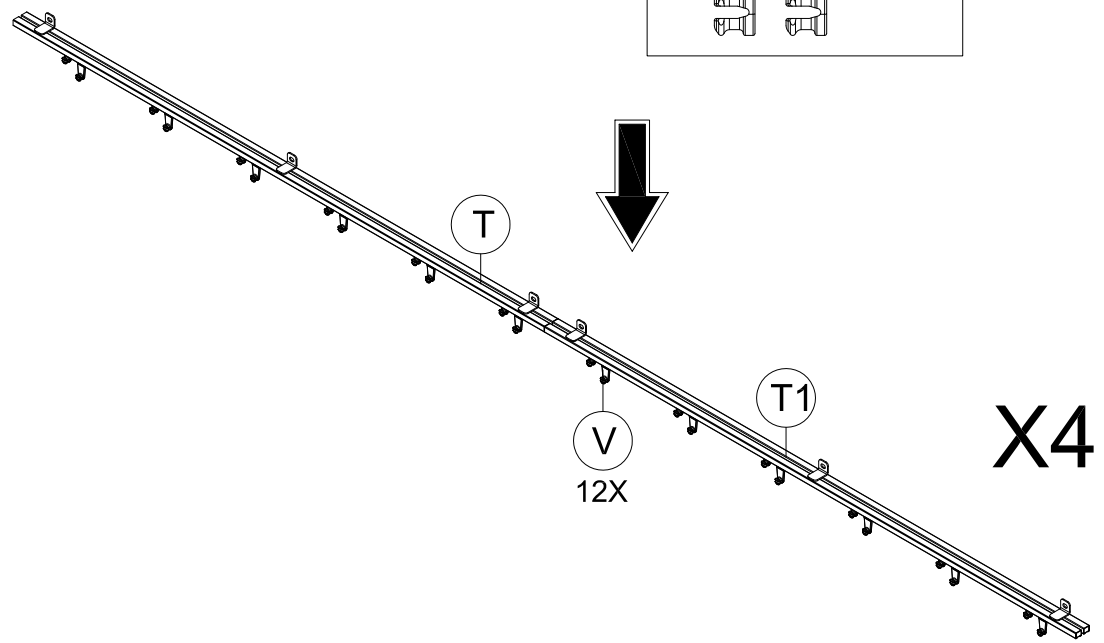
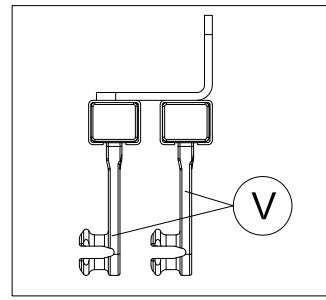
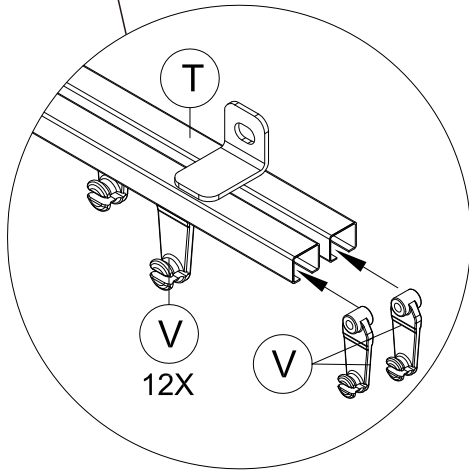
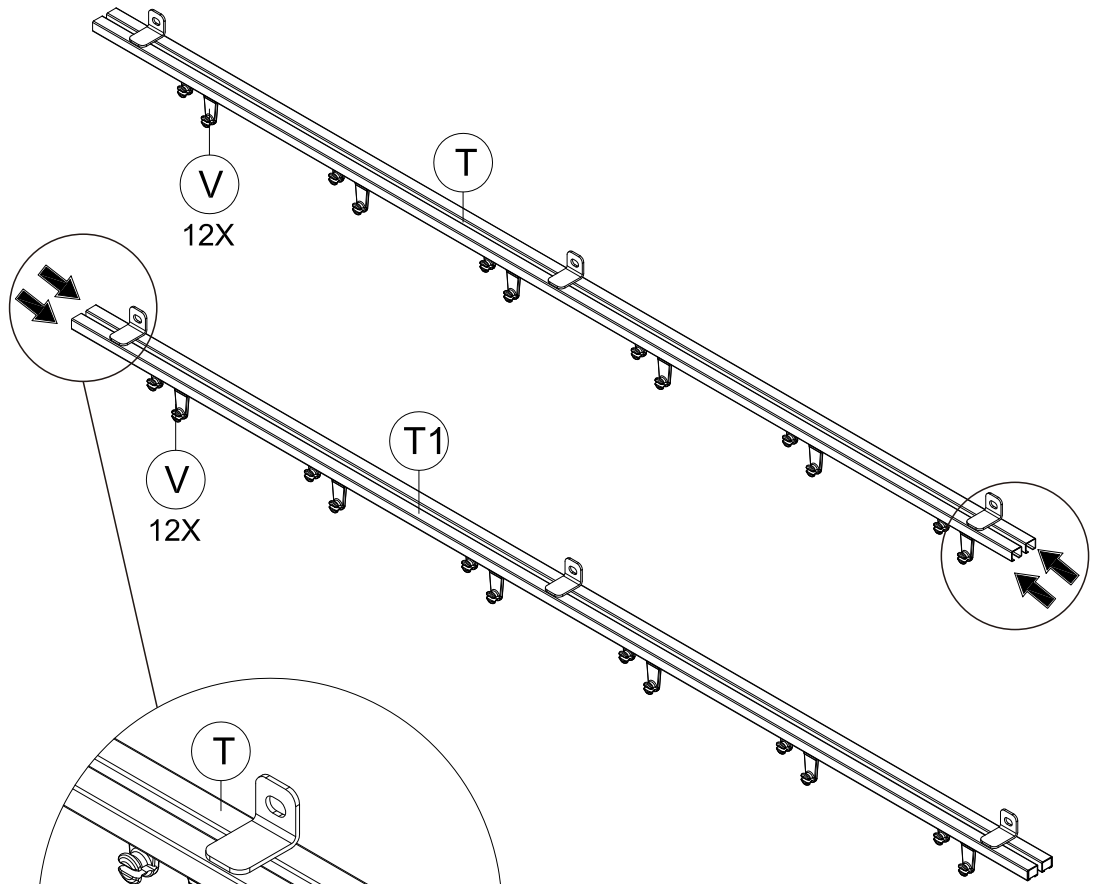
(5) Secure the bottom of Part #X and Part #C/C1 with 3 Bolts #8.

(6) Repeat the above procedures to assemble the other 3 beams.



## TRACK ASSEMBLY:

(1) Slide the plastic hooks to the double-rail track #T & T1 (each slot should slide 6 plastic hooks).



(2) Repeat the above procedures for the other 3 track #T & T1.

✓ S4

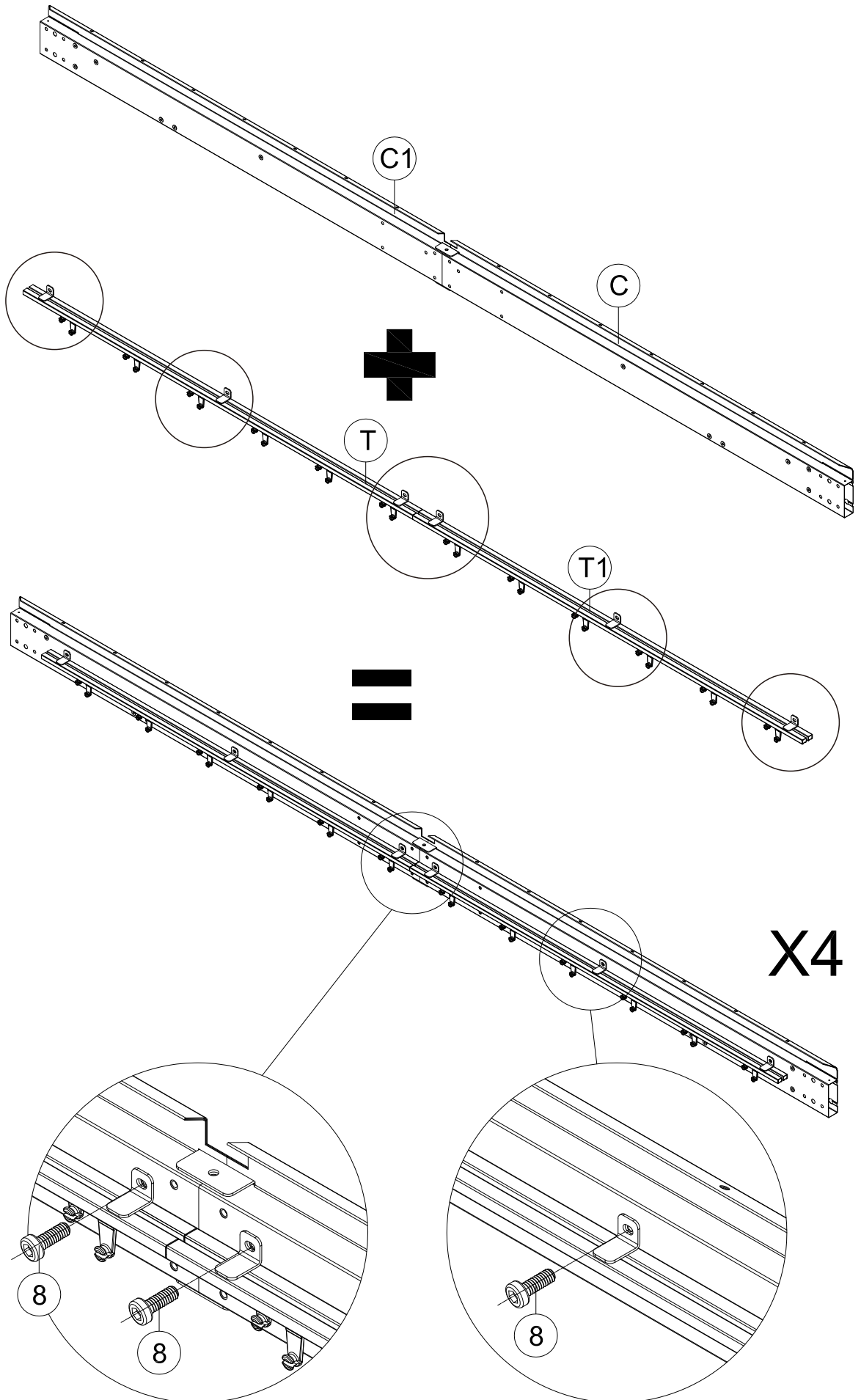
1 1x



M6x16

8 24x

(1) Use 6 Bolts #8 to fix the track T & T1 to the beam C & C1.



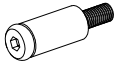
8

(2) Repeat the above procedures for the other 3 beams.



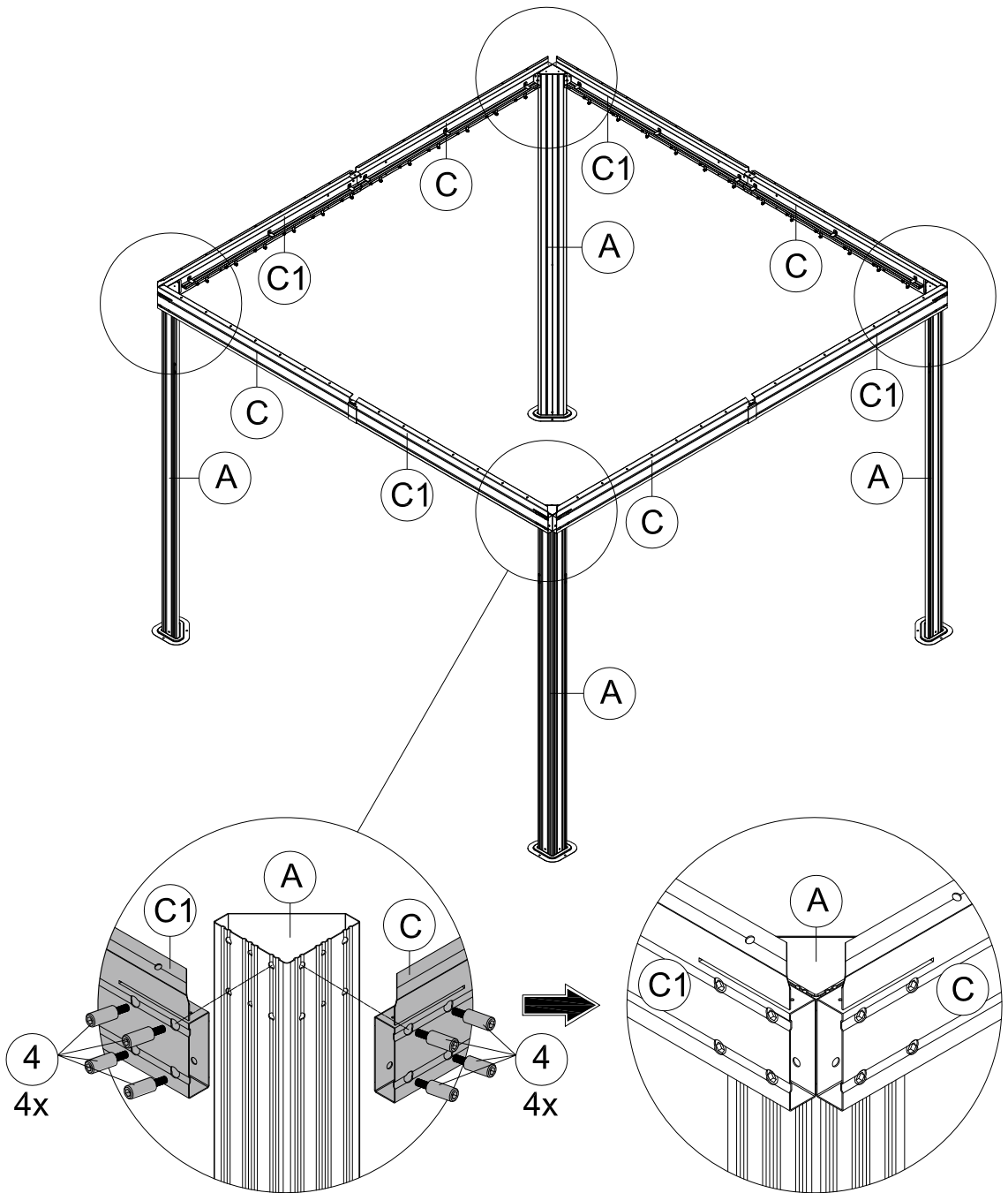
S6

1 1x



M6x35

4 32x



- (1) Connect Part #C/C1 to Part #A with 8 Bolts #4.(From Outside)
- (2) Repeat the above procedures to assemble the other 3 corners.

 Please don't tighten all bolts.

✓ S4

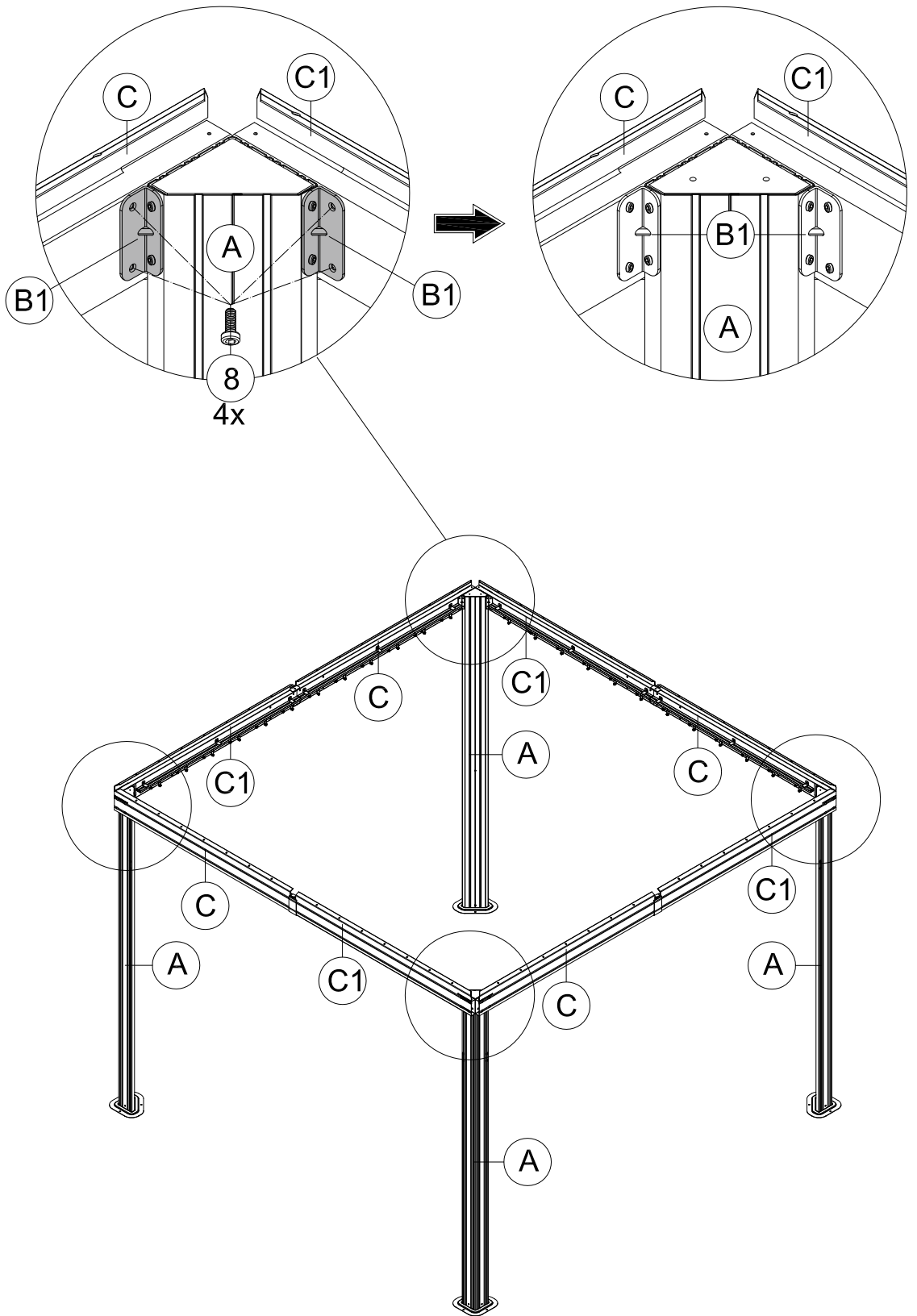
1 1x



M6x16

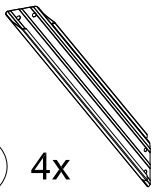
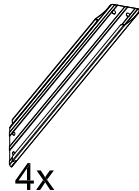

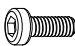
8 16x

(1) Connect Part #C/C1 to Part #A with 4 Bolts #8.(From Inside)

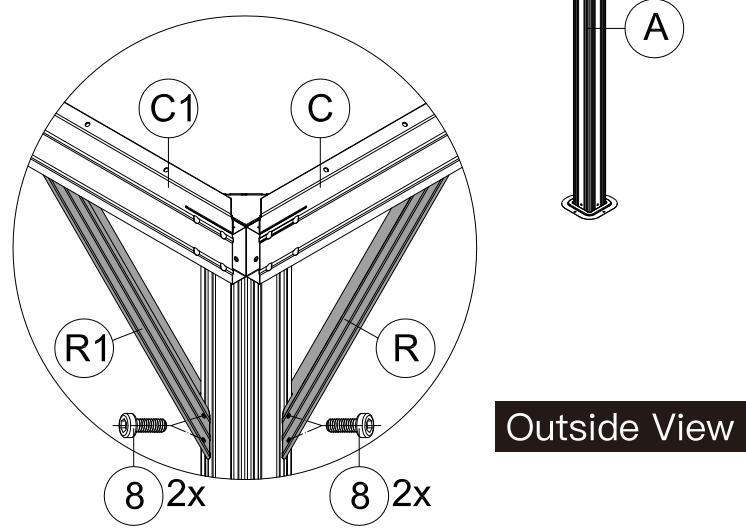
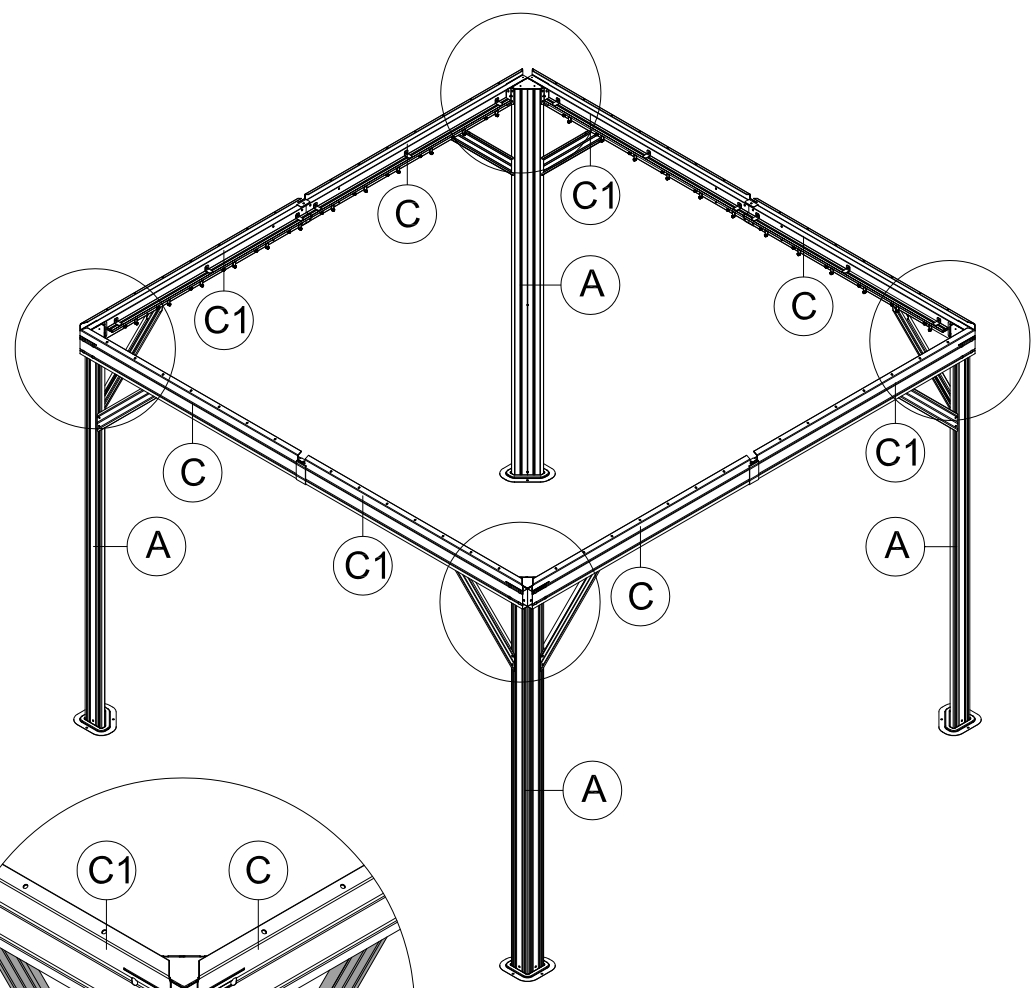
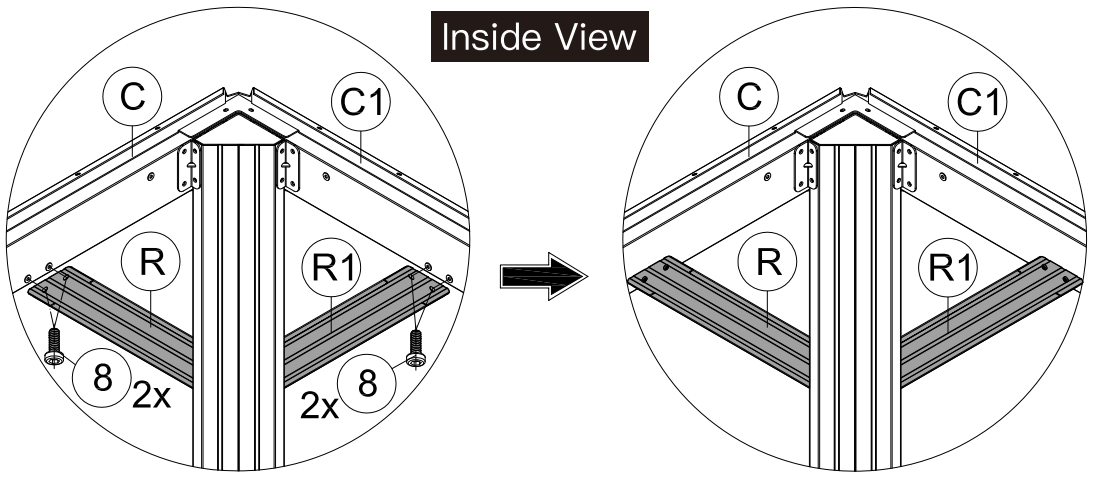


(2) Repeat the above procedures to assemble the other 3 corners.

⚠ Please don't tighten all bolts.

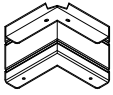
-  **R** 4x
-  **R1** 4x
-  **S4**
- 1** 1x
-  **M6x16**
- 8** 32x

(1) Affix Part #R and Part #R1 to the frame with 8 Bolts #8.



(2) Repeat the above procedures for the other 3 corners.

 Tighten all the bolts.

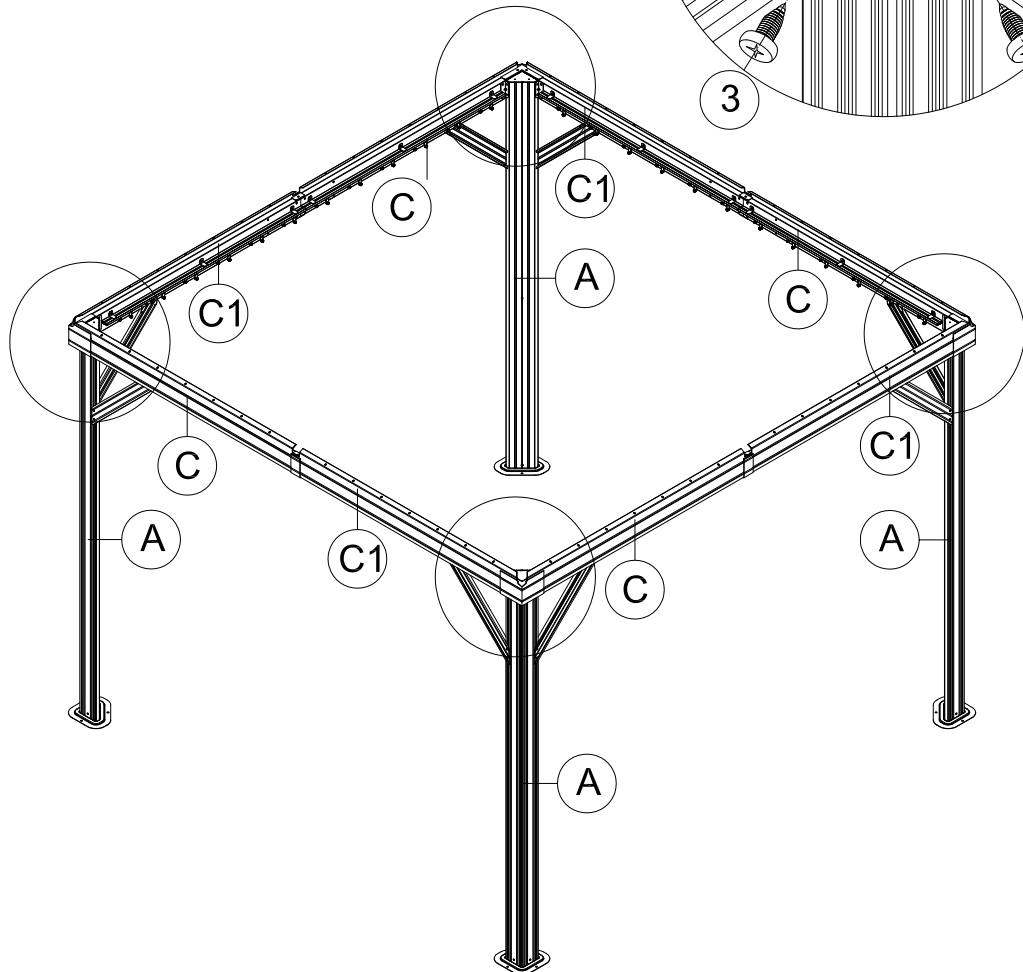
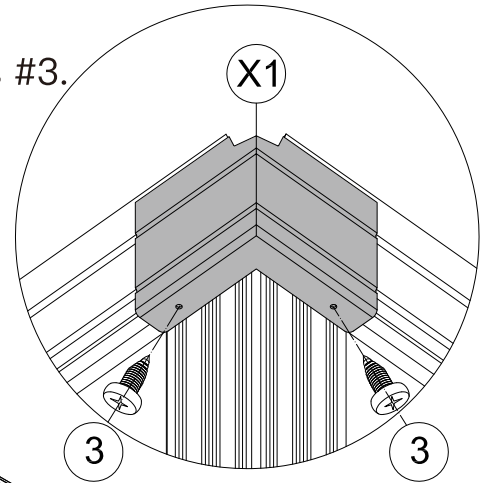
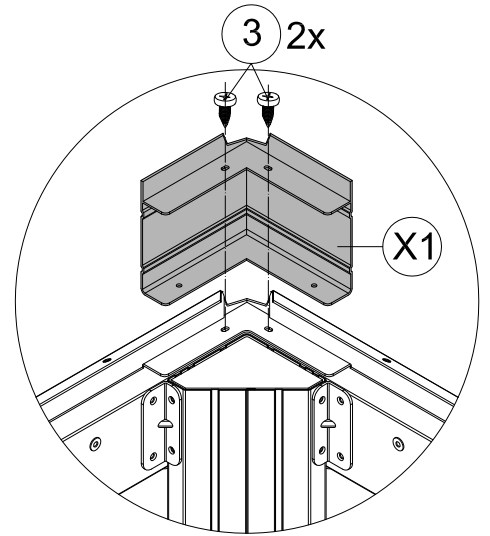
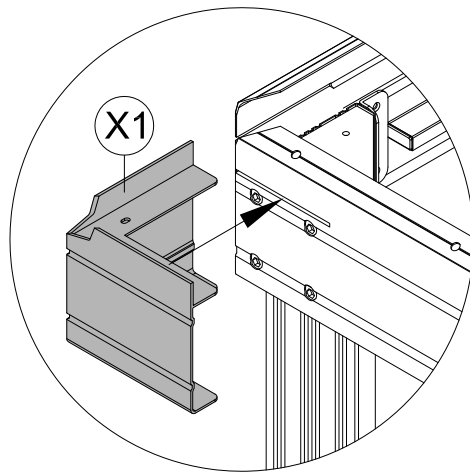


X1 4x

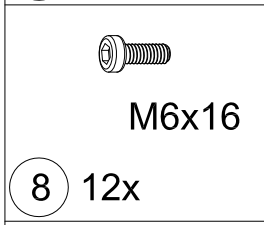
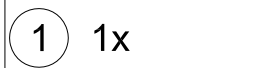
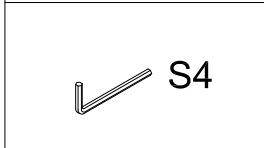
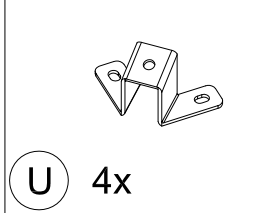
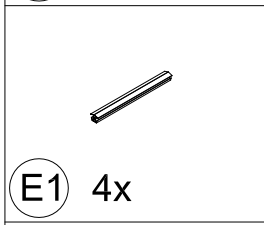
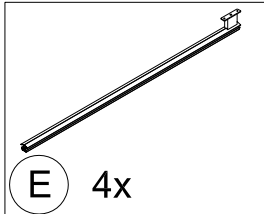


ST5x16

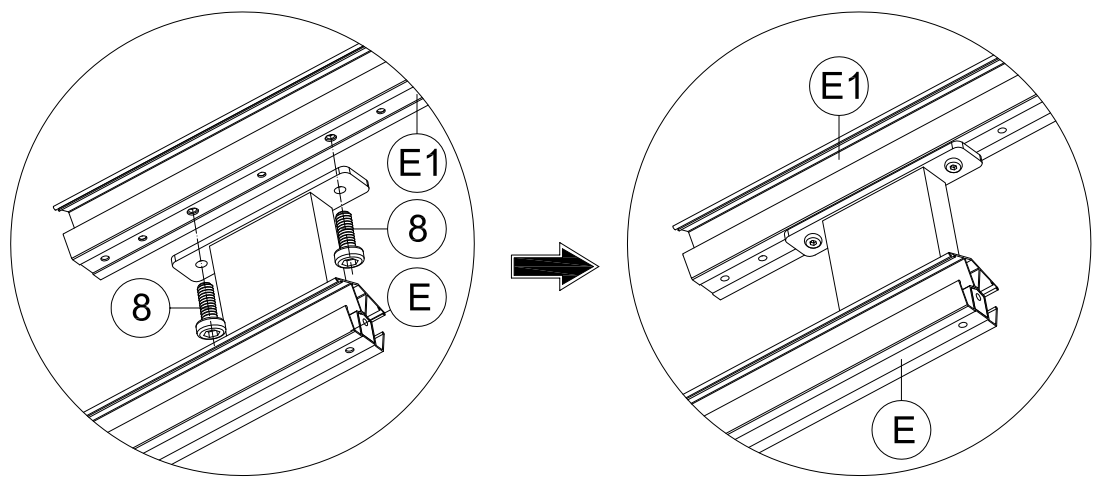
3 16x



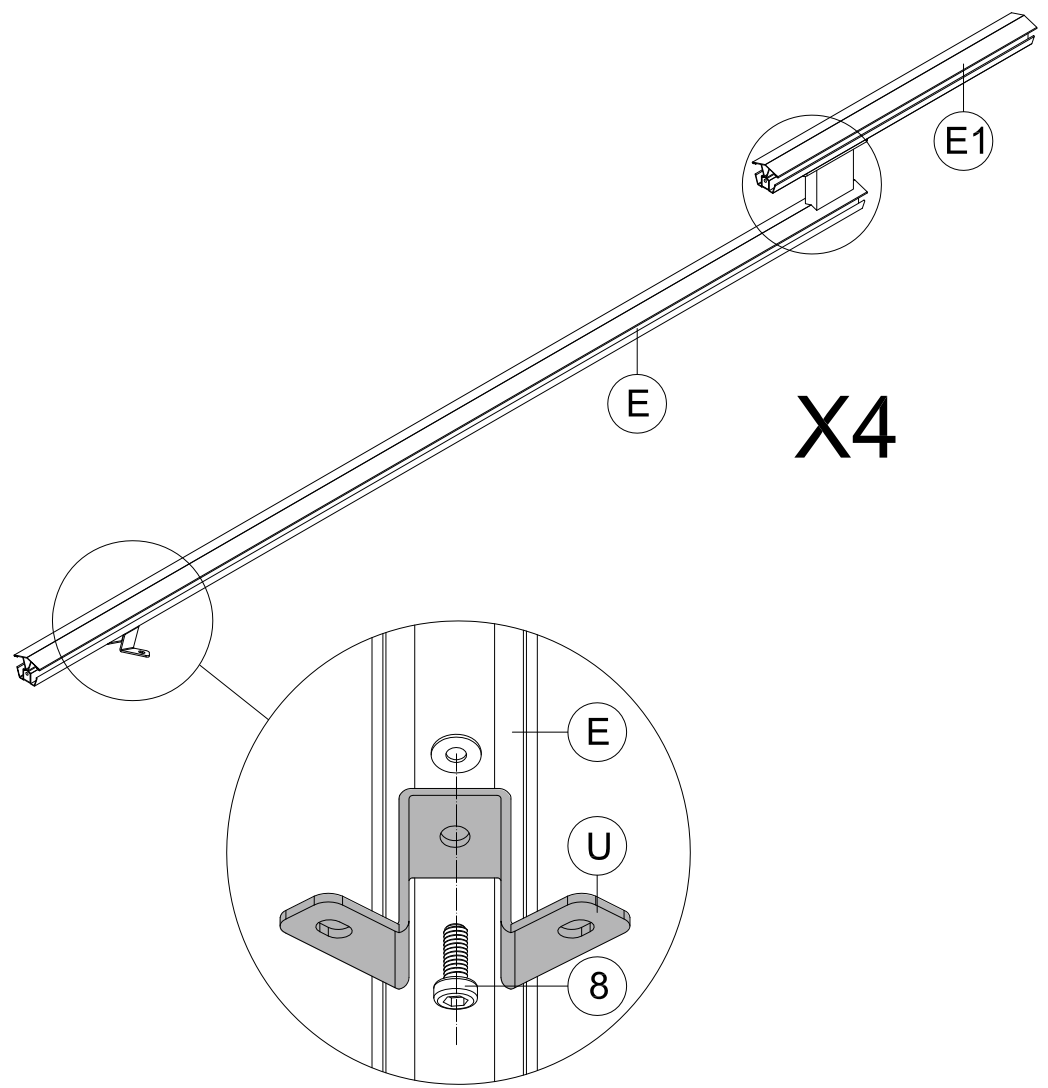
(4) Repeat the above procedures for the other 3 corners.



### Assemble the 4 Corner Roof Bars:

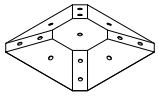


(1) Connect Part #E1 and Part #E with 2 Bolts #8 .

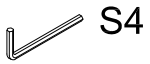


(2) Attach Part #U to Part #E with Bolt #8 .

(3) Repeat the above procedures for the other 3 corner roof bars.



S 1x



S4

1 1x



M6x16

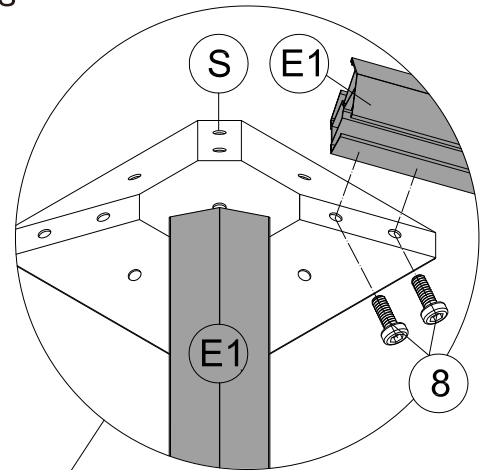
8 16x

Please have a freestanding ladder ready at the center of the gazebo.

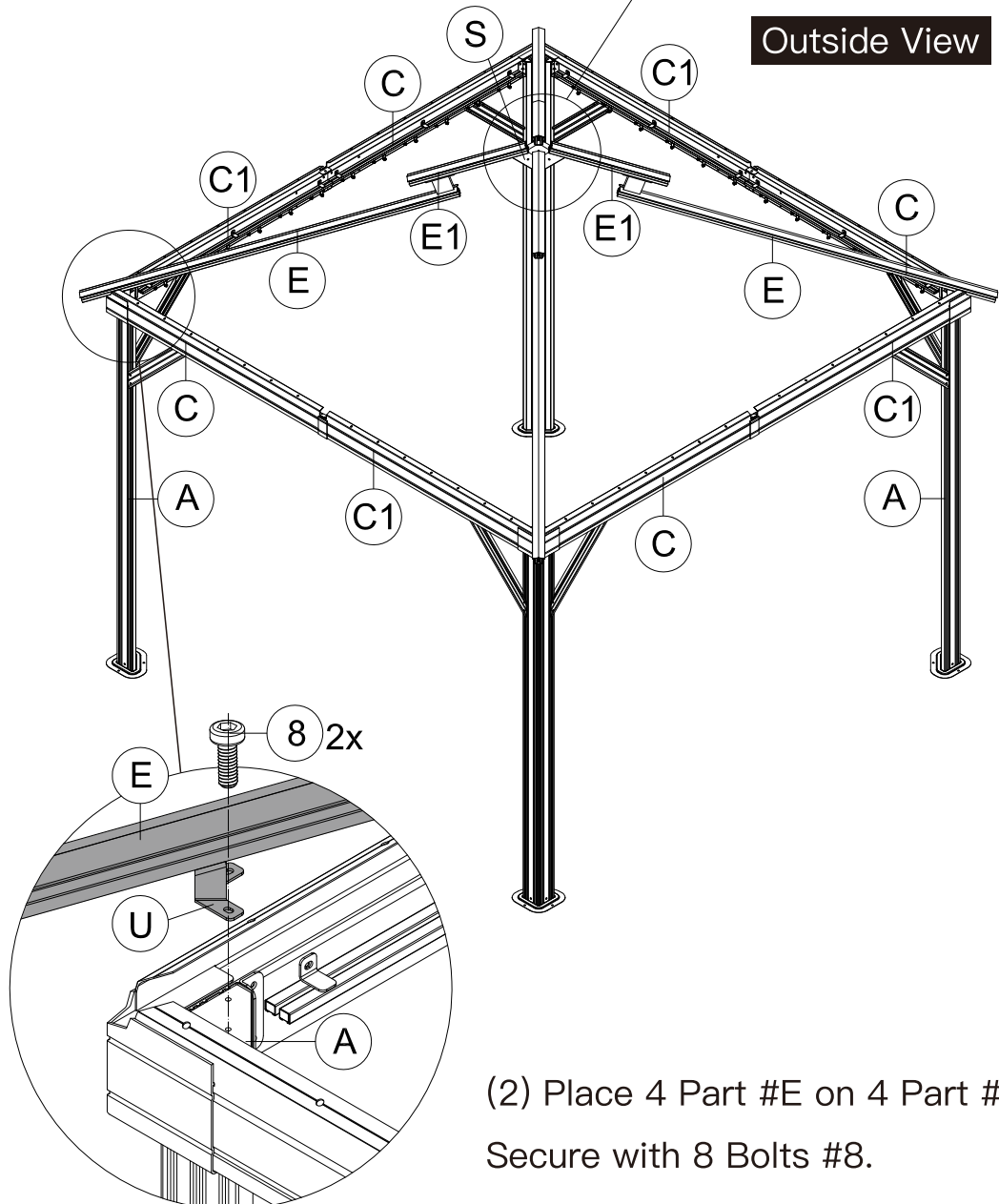
(1) Place 4 Part #E1 on the 4 corners of Part #S.

Secure with 8 Bolts #8 (from bottom to top)

**ATTENTION:** You can also finish this step on the ground and then lift 4 corner roof bars and inside roof connector to the top together. (Need 2 people and 2 ladders)

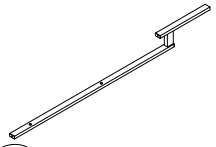
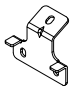

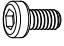


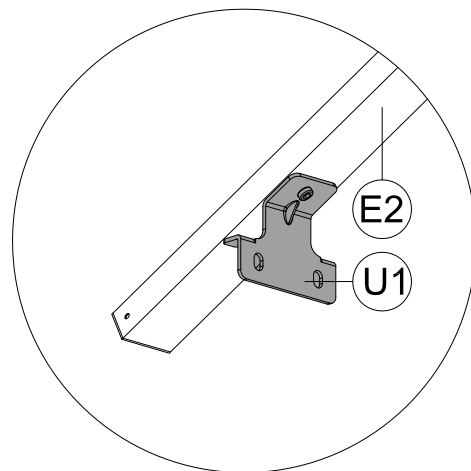
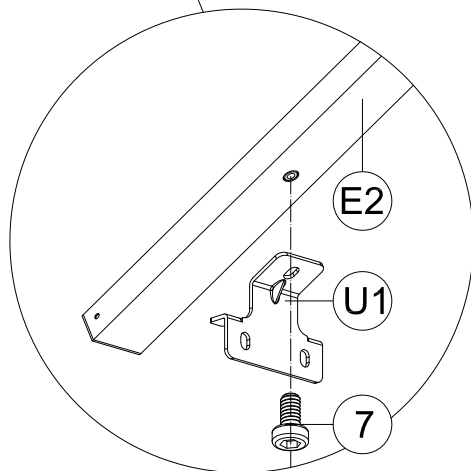
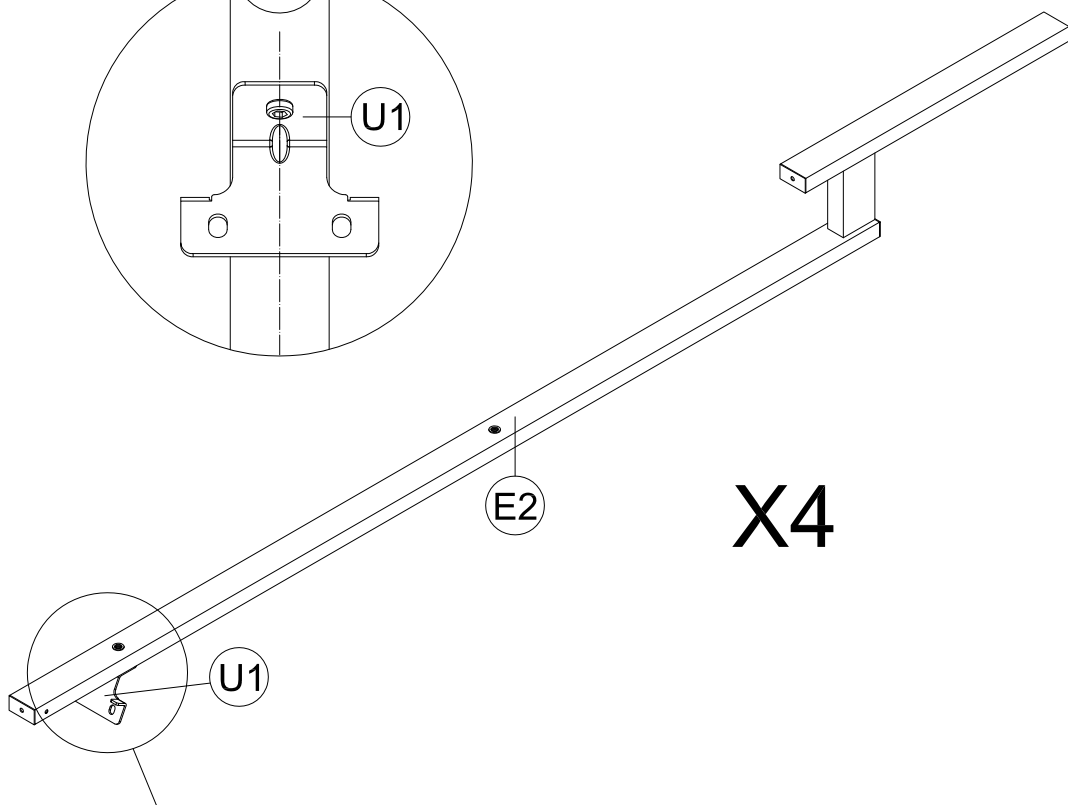
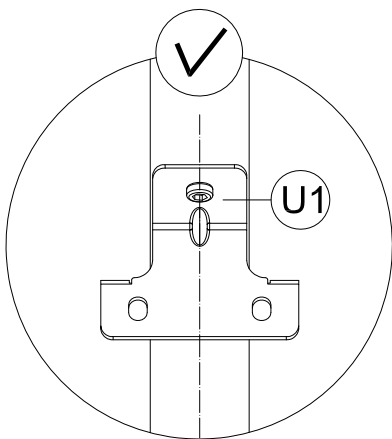
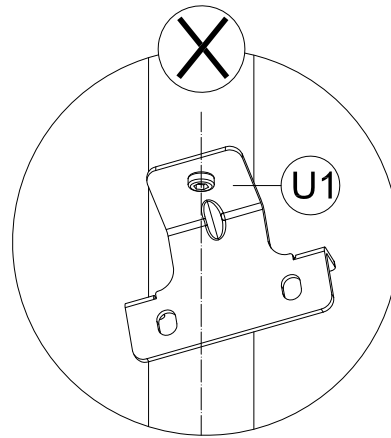
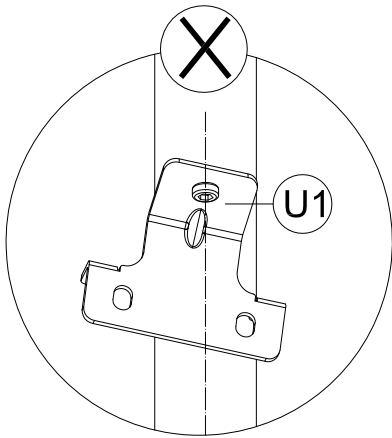
Outside View



(2) Place 4 Part #E on 4 Part #A;  
Secure with 8 Bolts #8.

Outside View

-  **E2** 4x
-  **U1** 4x
-  **S4**
- 1** 1x
-  **M6x10**
- 7** 4x



(1) Attach Part #U1 to Part #E2 with Bolt #7.  
 (2) Repeat the above procedures for the other 3 roof bars.



S4

1 1x



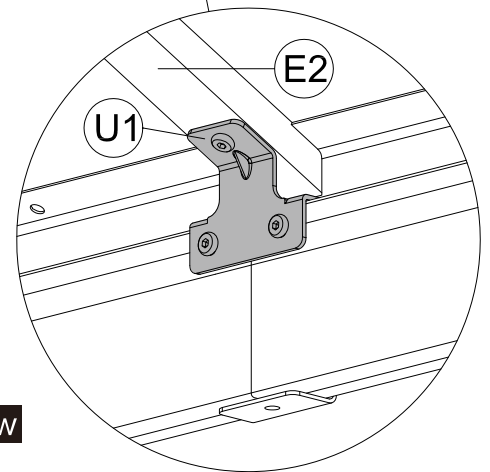
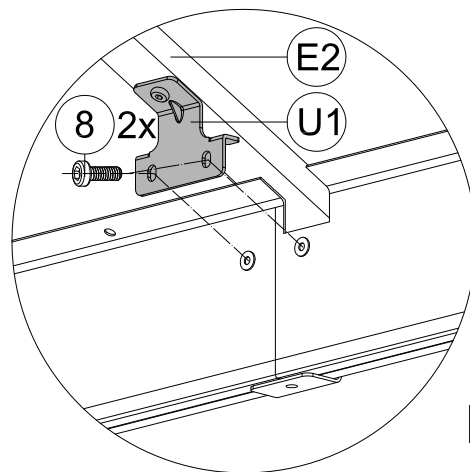
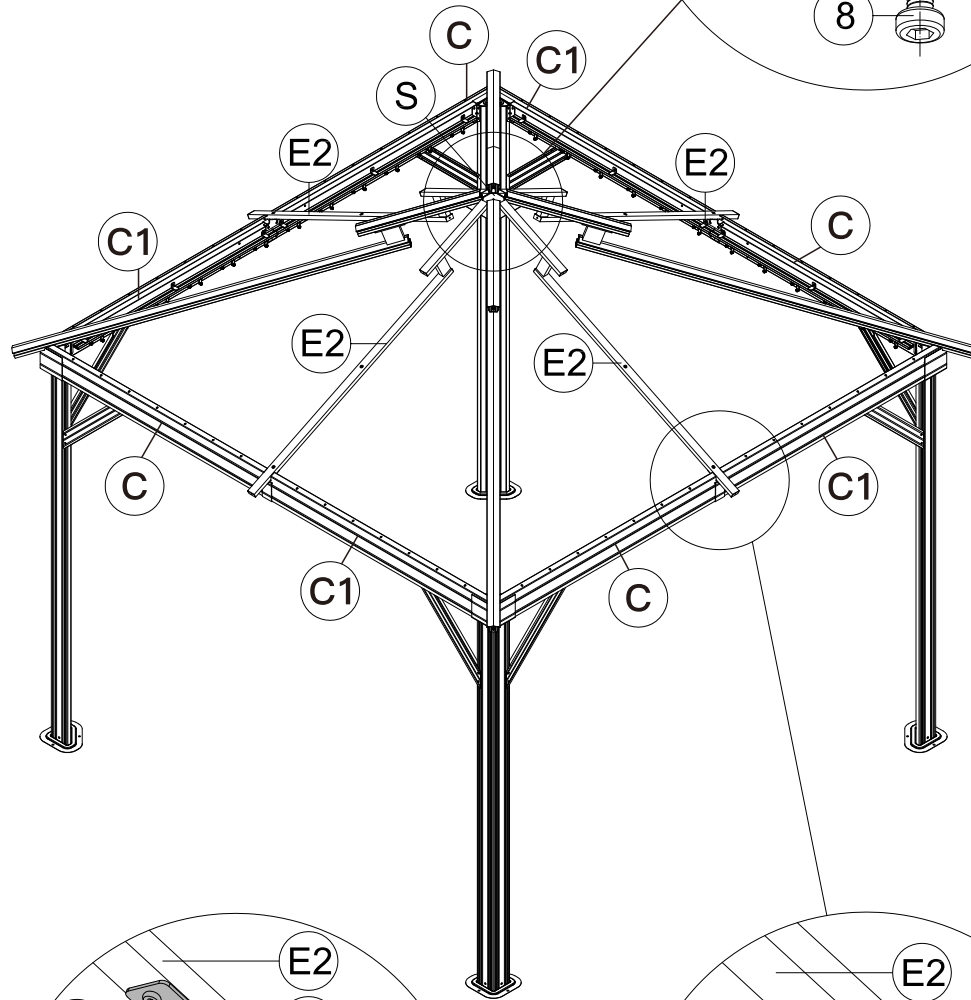
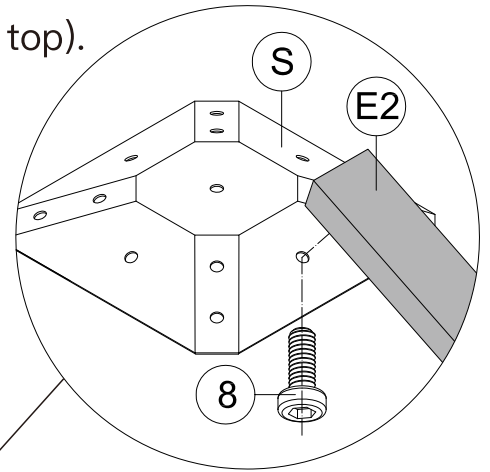
M6x16

8 12x

(1) Place Part #E2 on part #S.

Secure with Bolt #8 (from bottom to top).

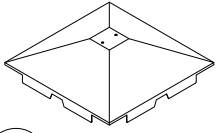
Outside View



Inside View

(2) Connect Part #E2 and the Assembled Beam(C&C1) with part #U1.  
Secure with 2 Bolts #8.

(3) Repeat the above procedures for the other 3 sides.

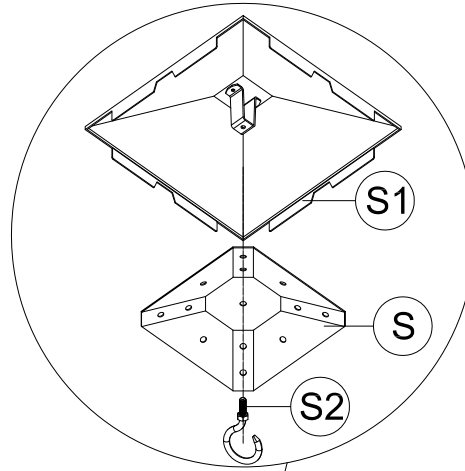


S1 1x

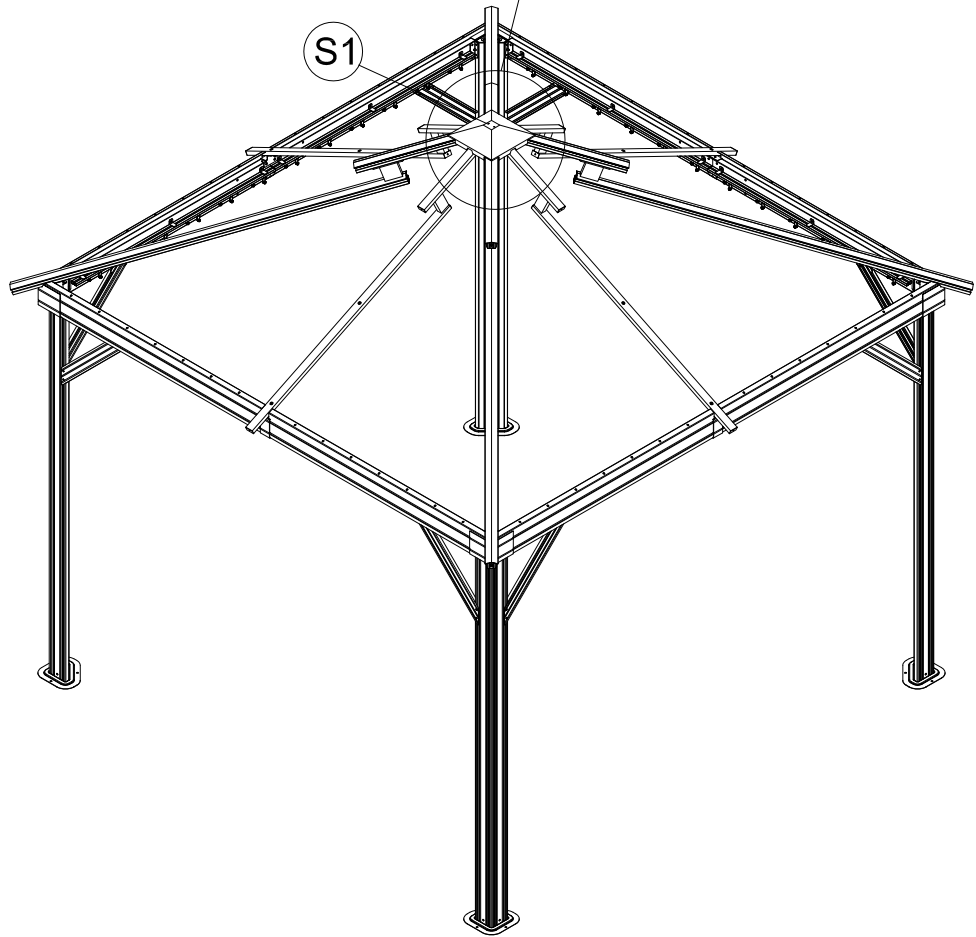


S2 1x

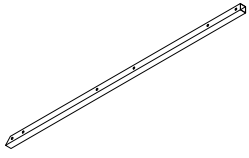
Secure Part #T to Part #S and Part #S1.



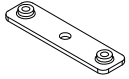
Outside View



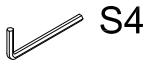
**ATTENTION:** The holes of Part #S and Part #S1 need to be aligned, on the same vertical line.



F 8x



U3 4x



1 1x



M6x10

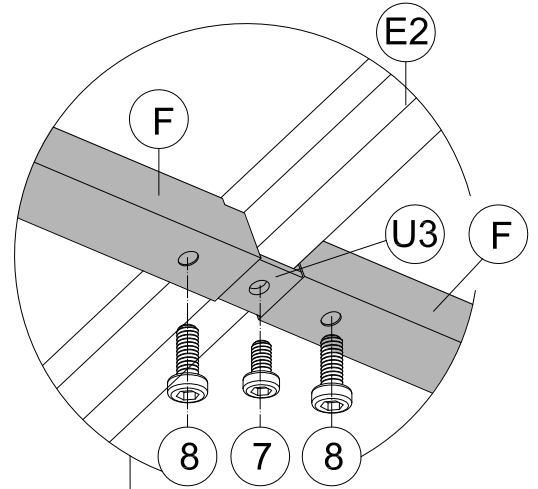
7 4x



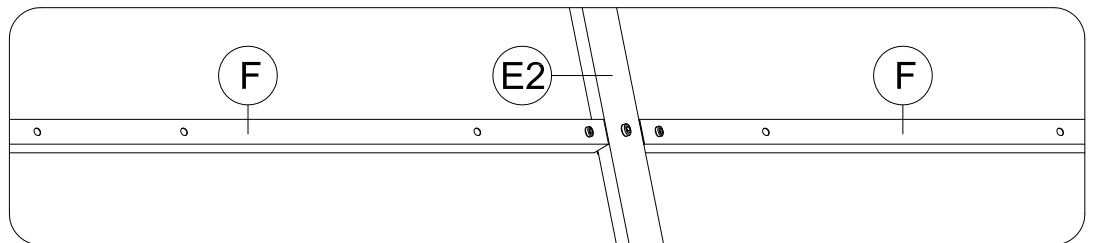
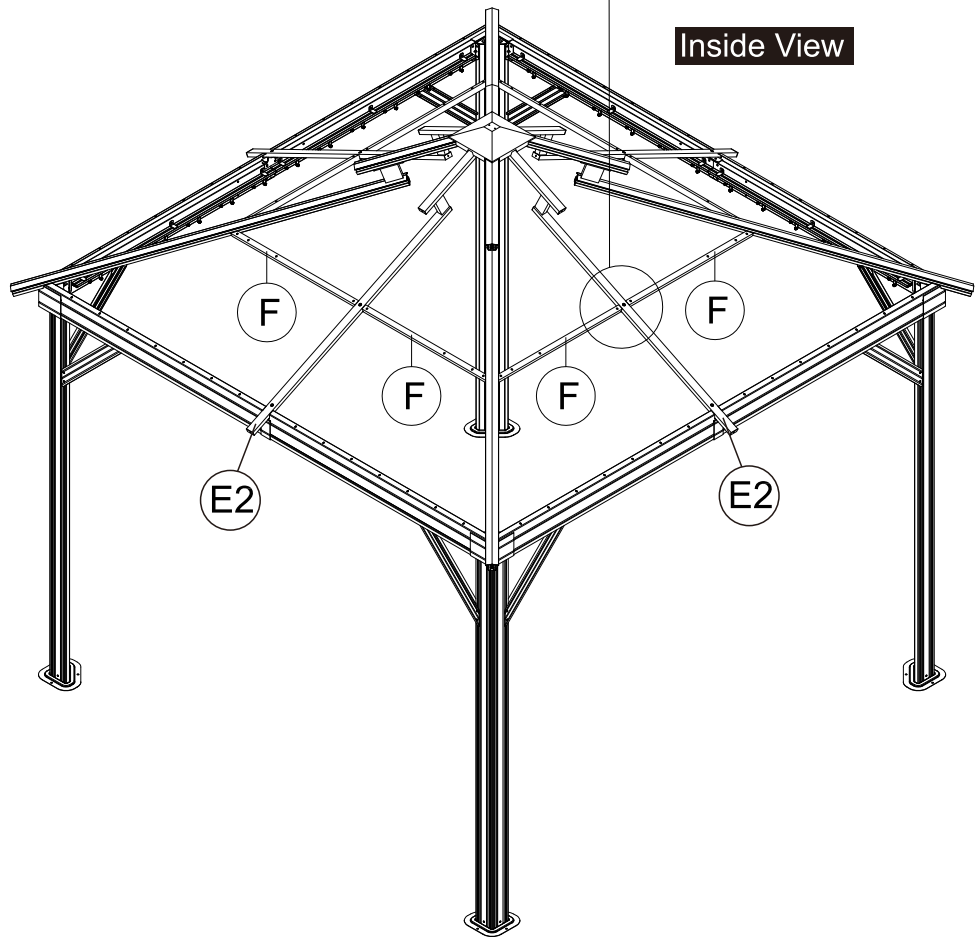
M6x16

8 8x

- (1) Insert Part #U3 into 2 Part #F.
- (2) Attach Part #F to the Part #E2 with 1 Bolt #7 and 2 Bolts #8.



Inside View

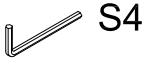


- (3) Repeat the above procedures for the other 3 sides.

Outside View



U2 4x

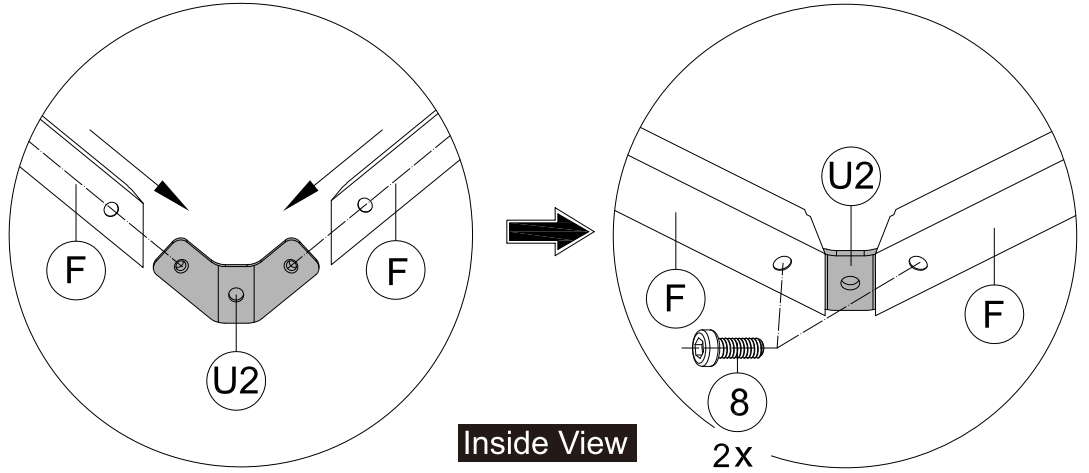


1 1x



M6x16

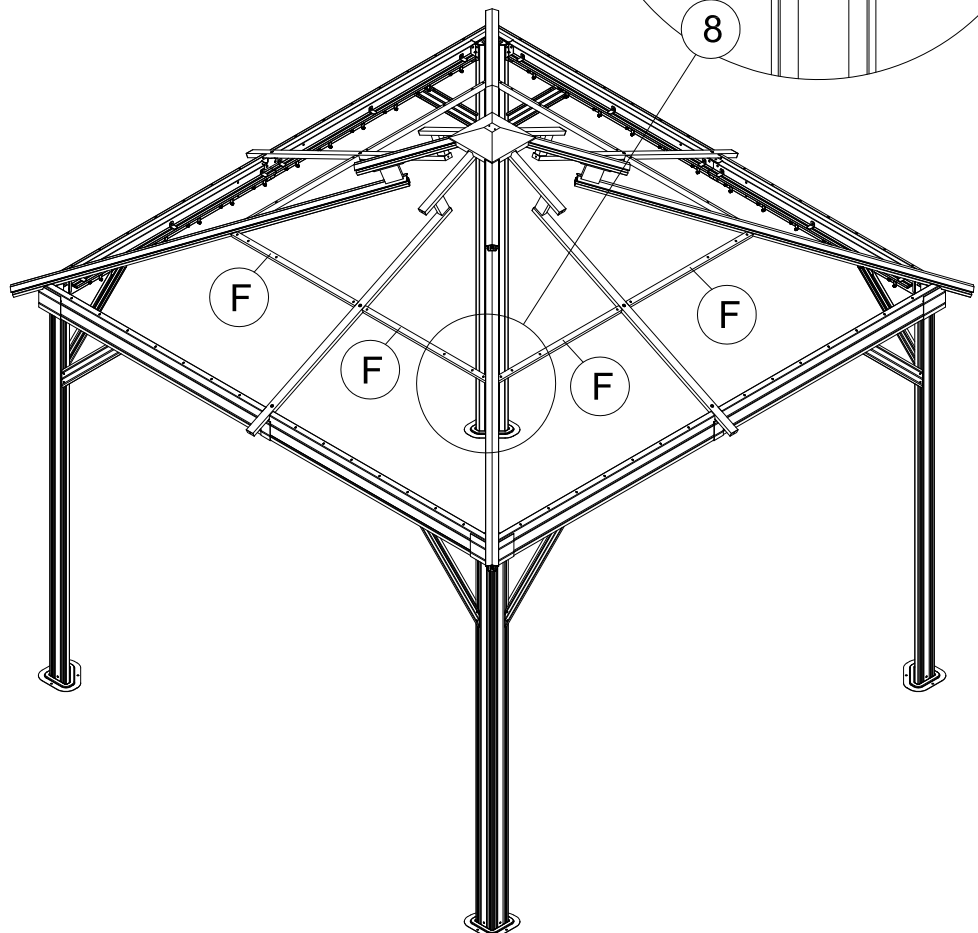
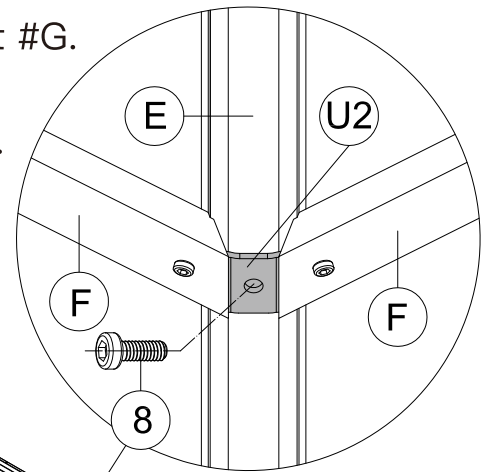
8 12x



Inside View

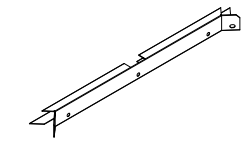
8 2x

- (1) Insert Part #U2 into Part #F and Part #G.
- (2) Secure with 2 Bolts #8.
- (3) Secure them to Part #E with Bolt #8.

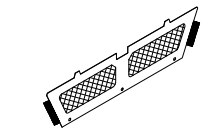


- (4) Repeat the above procedures for the other 3 sides.

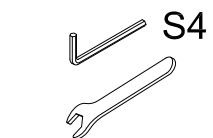
(1) Connect Part #J and Part #Q with 2 Bolts #7 and 2 Nuts #5.



J 4x



Q 4x



1 1x



ST6.3x15

2 4x



M6

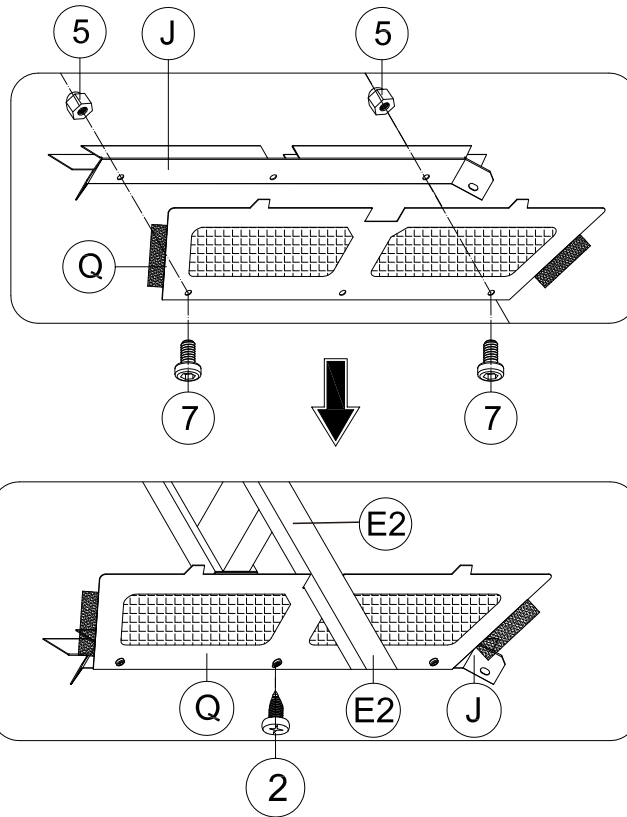
5 8x



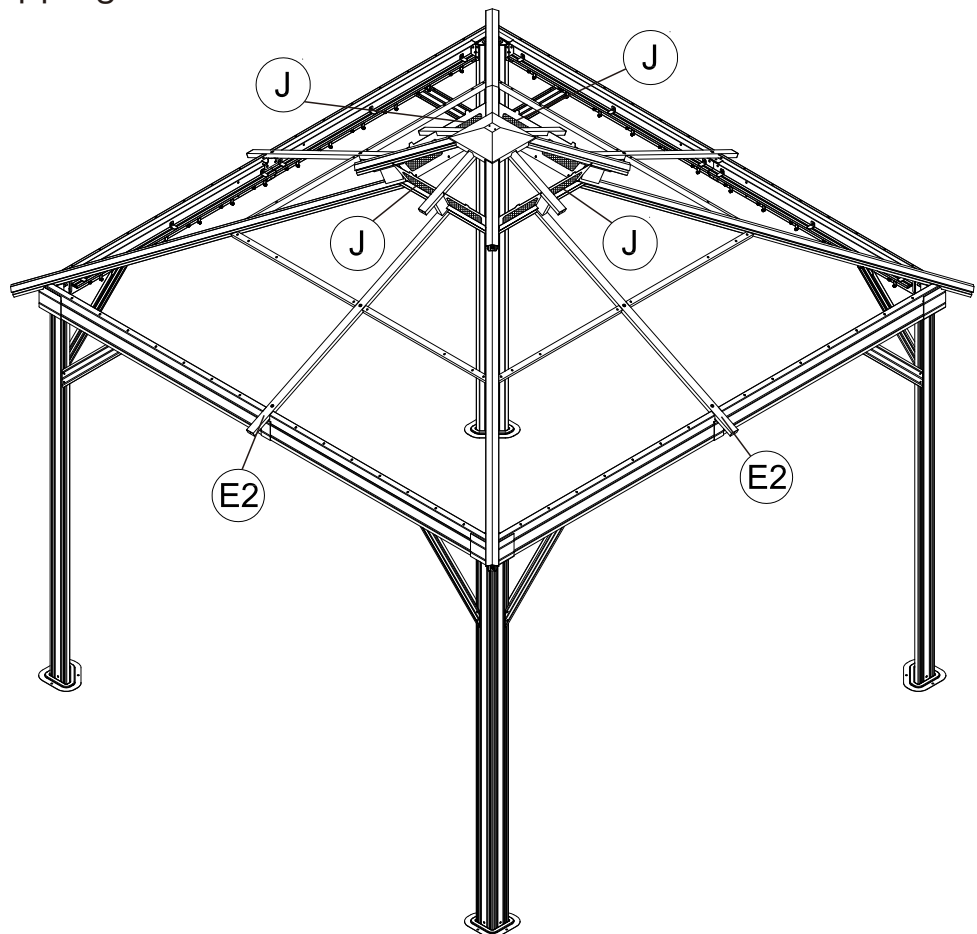
M6x10

7 8x

20



(2) Place the Assembled Part #J & #Q on Part #E2, securing with 1 Self-tapping screw #2.



(3) Repeat the above procedures for the other 3 sides.



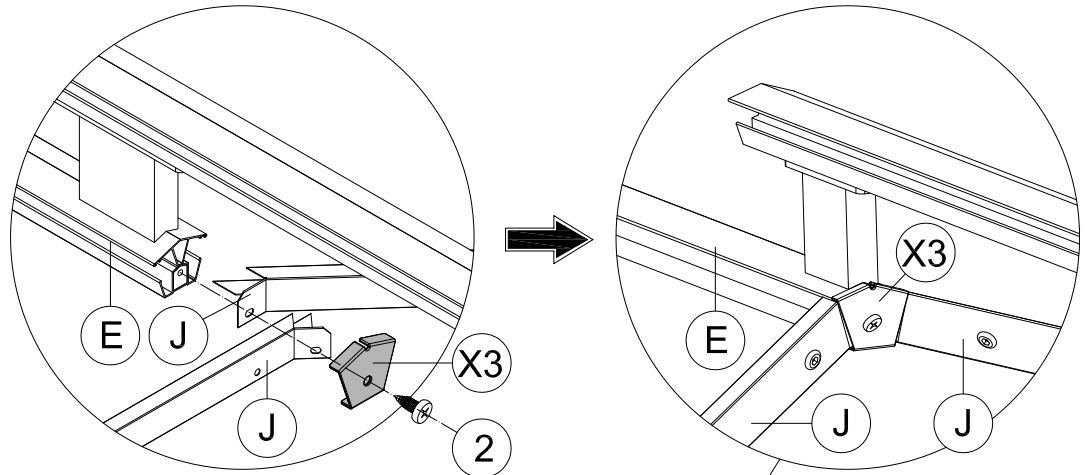
X3 4x



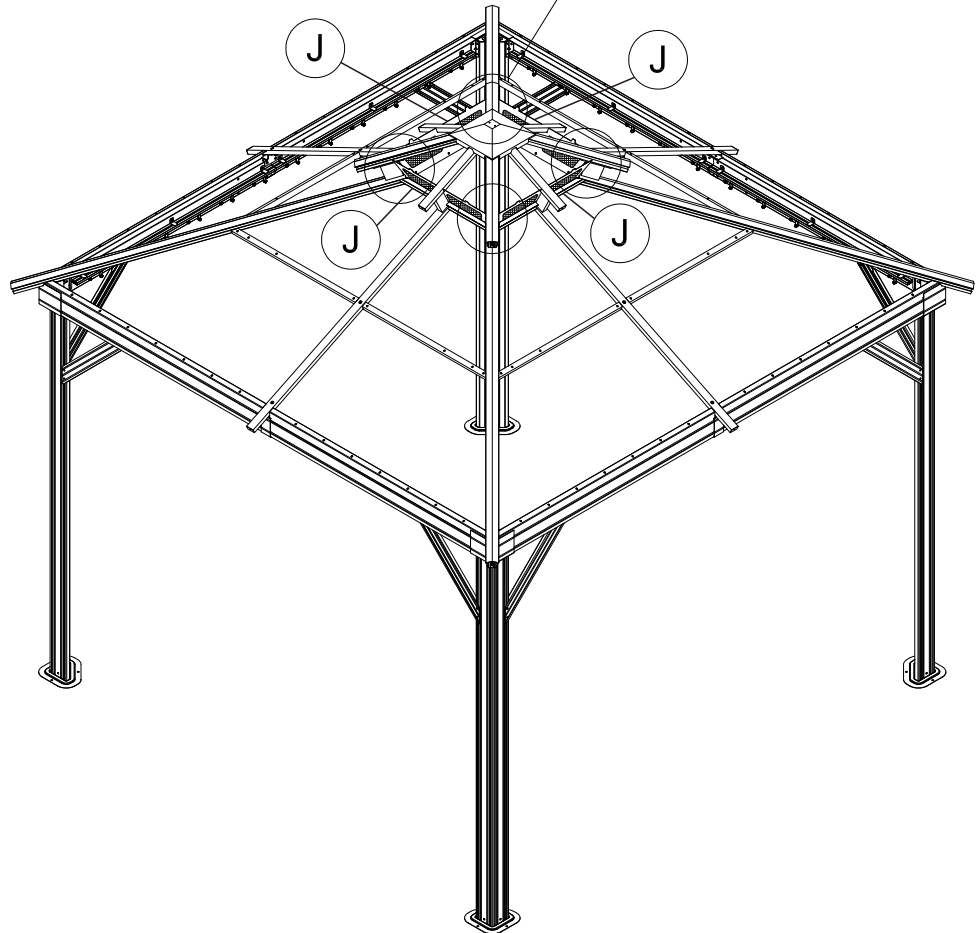
ST6.3x15

2 4x

(1) Place 2 Part #J on Part #E, put on Part #X3 and secure with Self-tapping Screw #2.

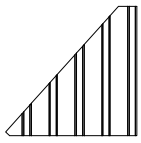


Inside View

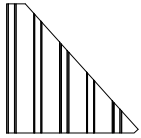


(2) Repeat the above procedures for the other 3 corners.

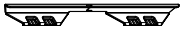
# Cover Part #Z, #Z1 & #Z2 to Roof Panels.



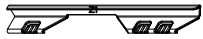
L1 4x



L2 4x



Z 8x

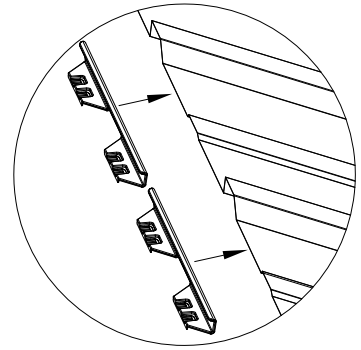
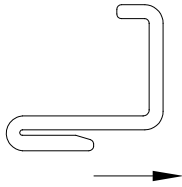


Z1 4x

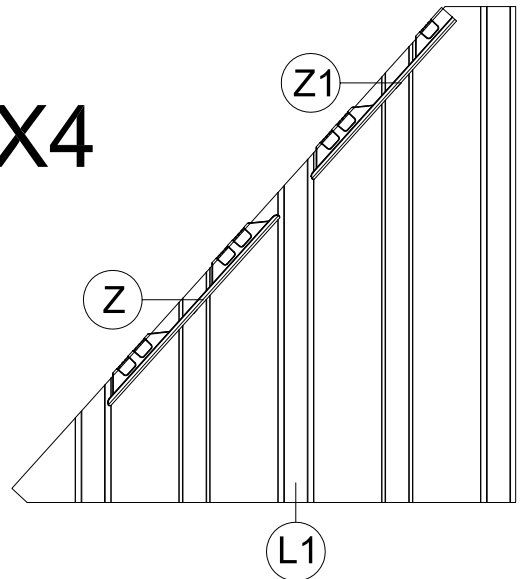


Z2 4x

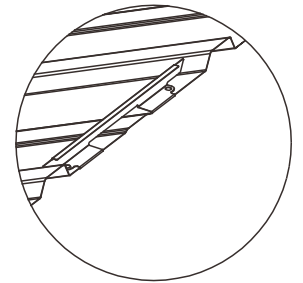
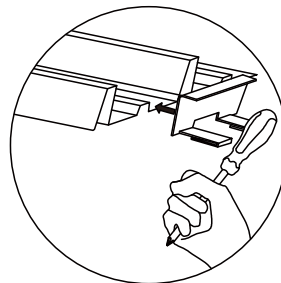
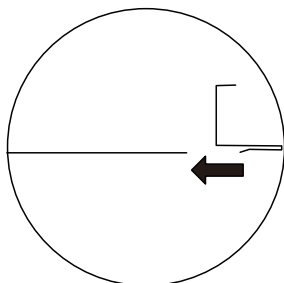
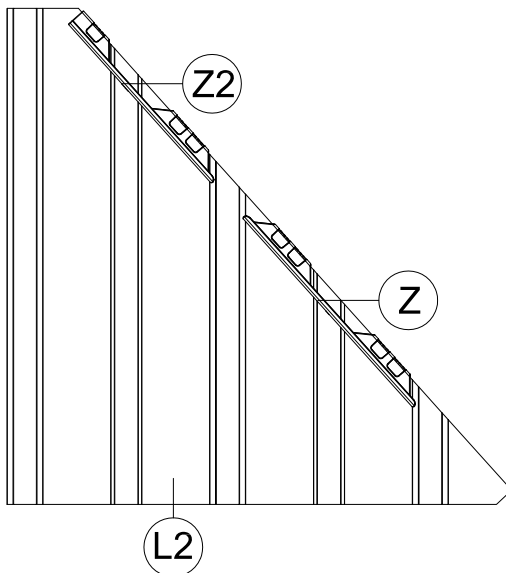
Section View

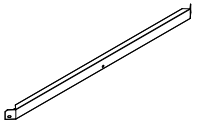


X4



X4





H 4x

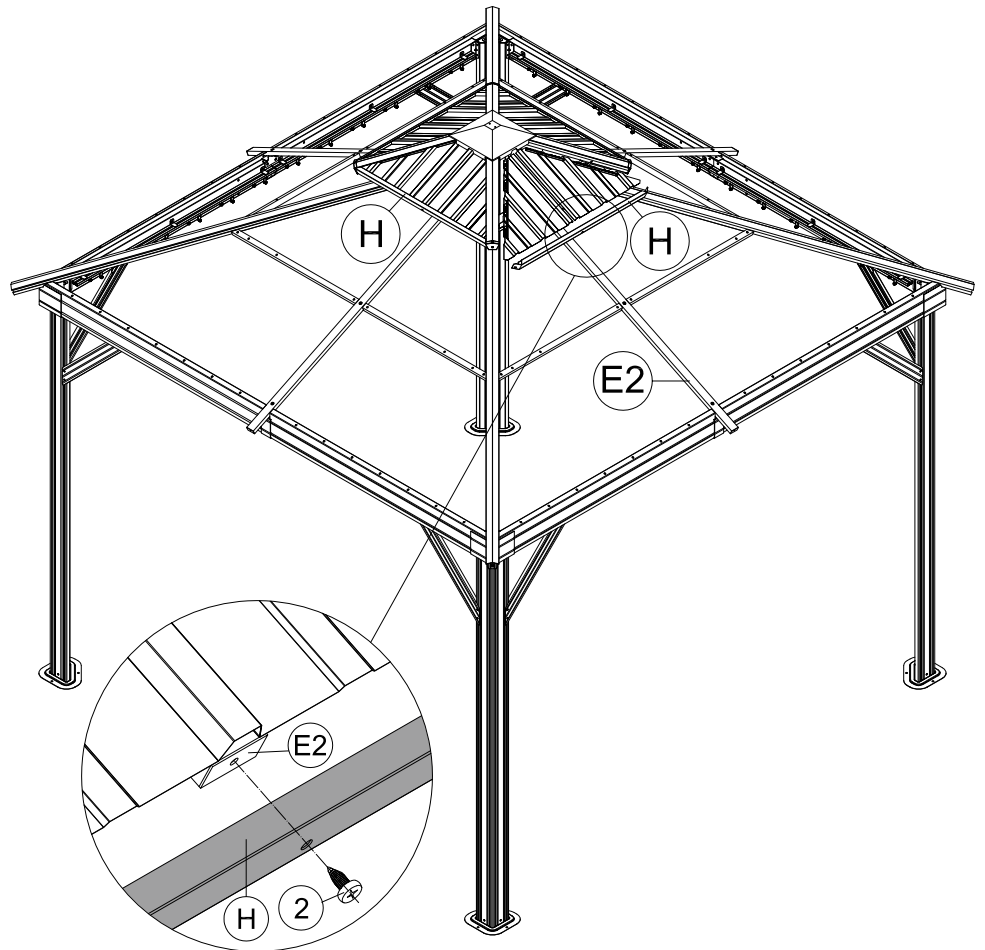
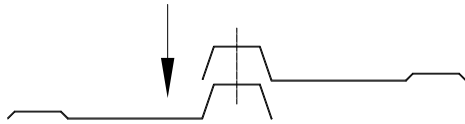
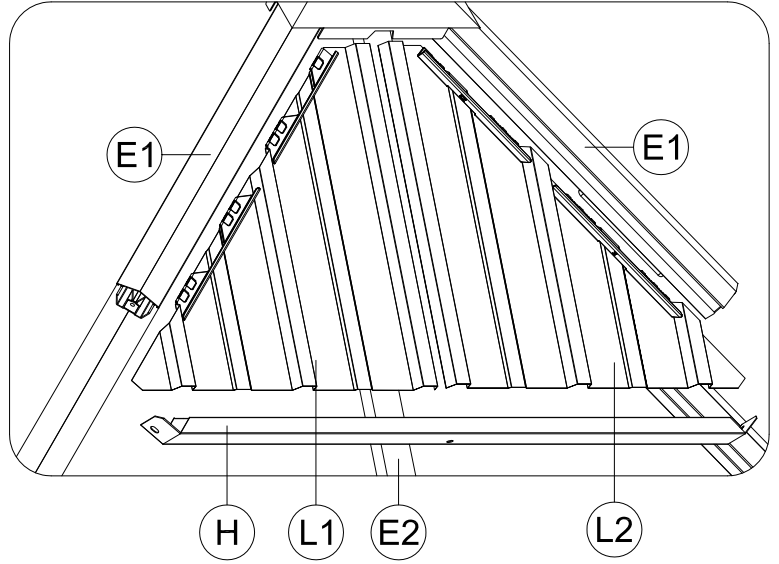
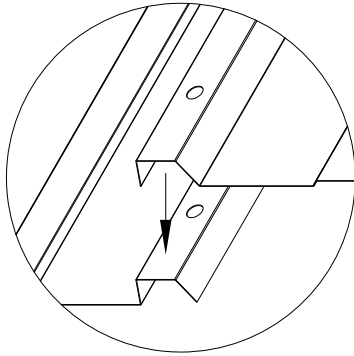


ST6.3x15

2 4x

ATTENTION: The bigger roof panel need to cover the smaller one.

(1) Insert Part #L1 and Part #L2 into the frame.



(2) Attach Part #H to Part #E2, securing with Bolt #2.

(3) Repeat the above procedures for the other 3 sides.



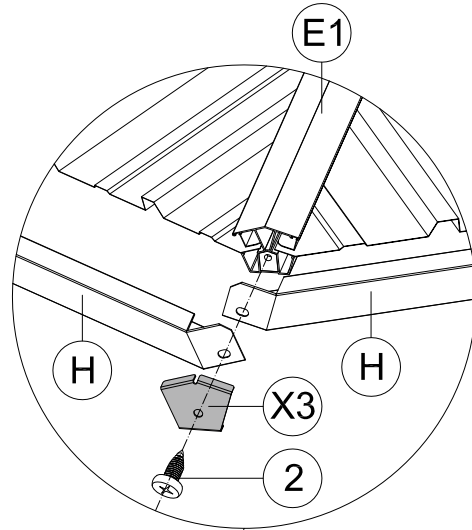
X3 4x



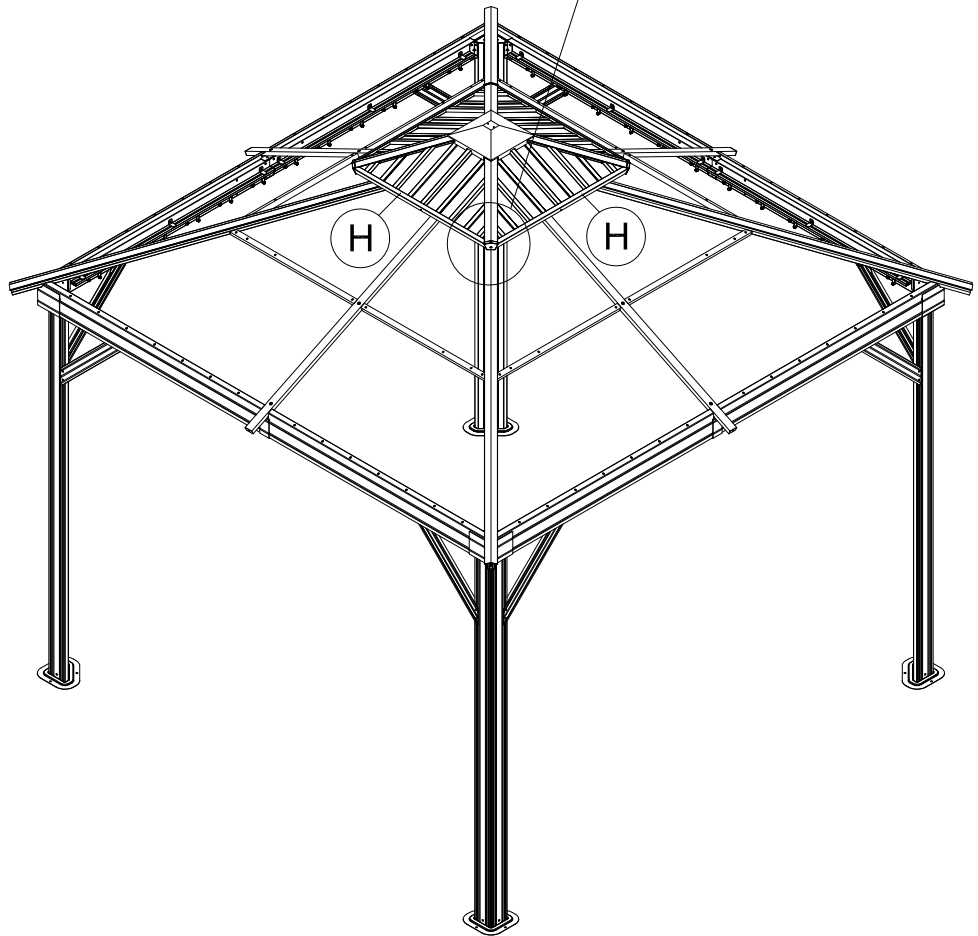
ST6.3x15

2 4x

(1) Place 2 Part #H on Part #E1, put on Part #X3 and secure with Self-tapping Screw #2.

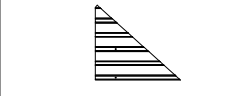


Outside View

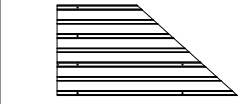


(2) Repeat the above procedures for the other 3 corners.

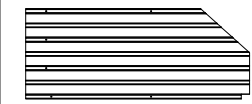
# Cover Part #Z, #Z3 & #Z4 to Roof Panels.



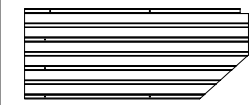
M1 4x



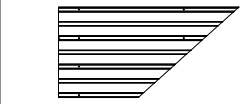
M2 4x



M3 4x



M4 4x



M5 4x



M6 4x



Z 48x

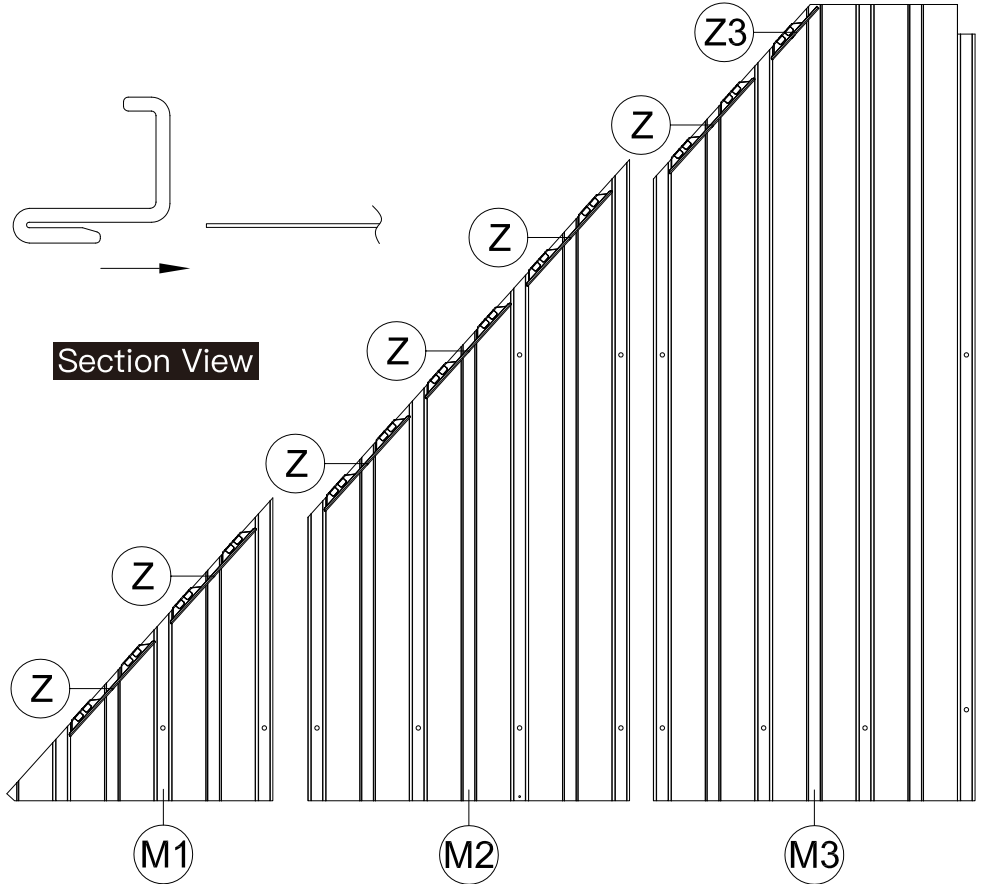


Z3 4x

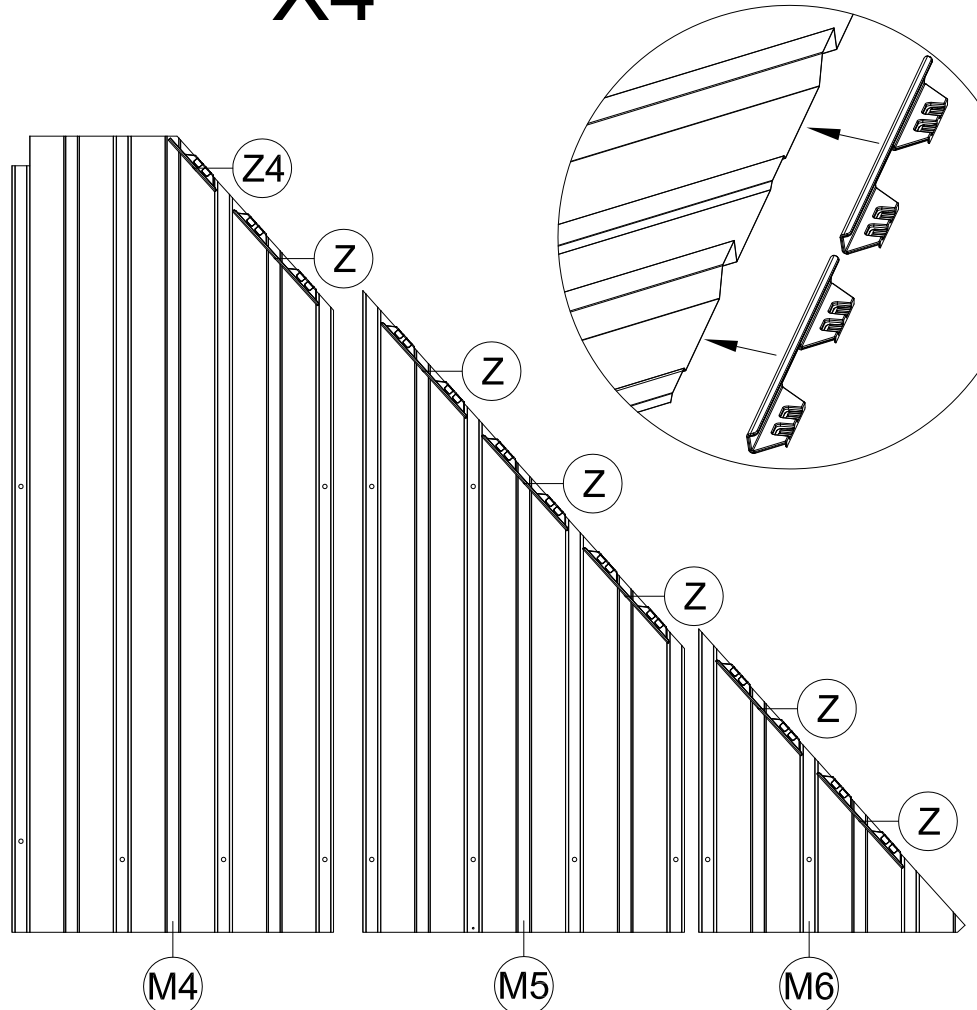


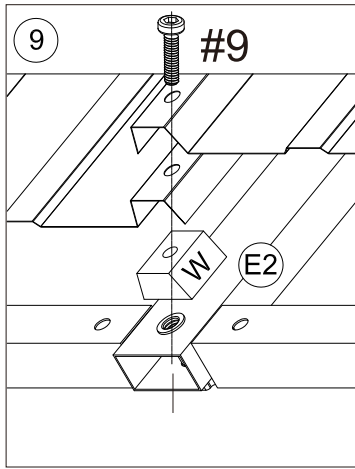
Z4 4x

25

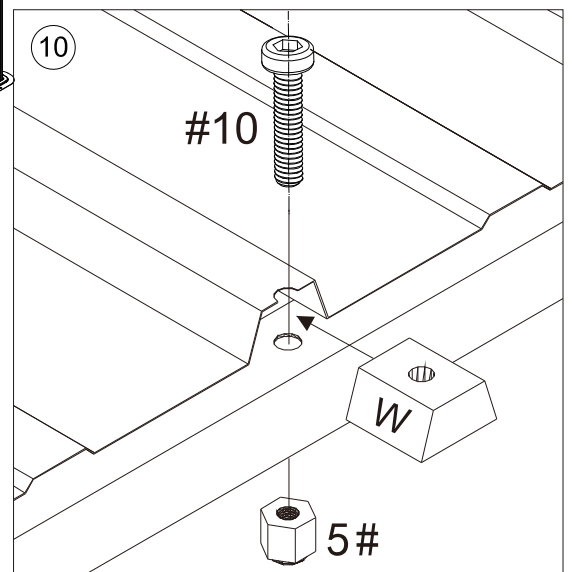
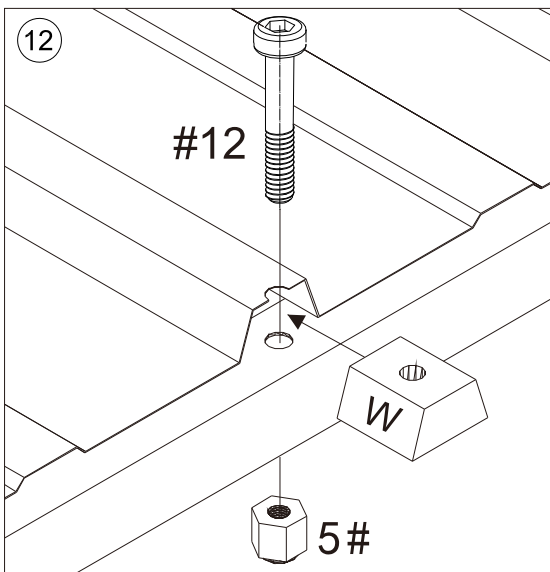
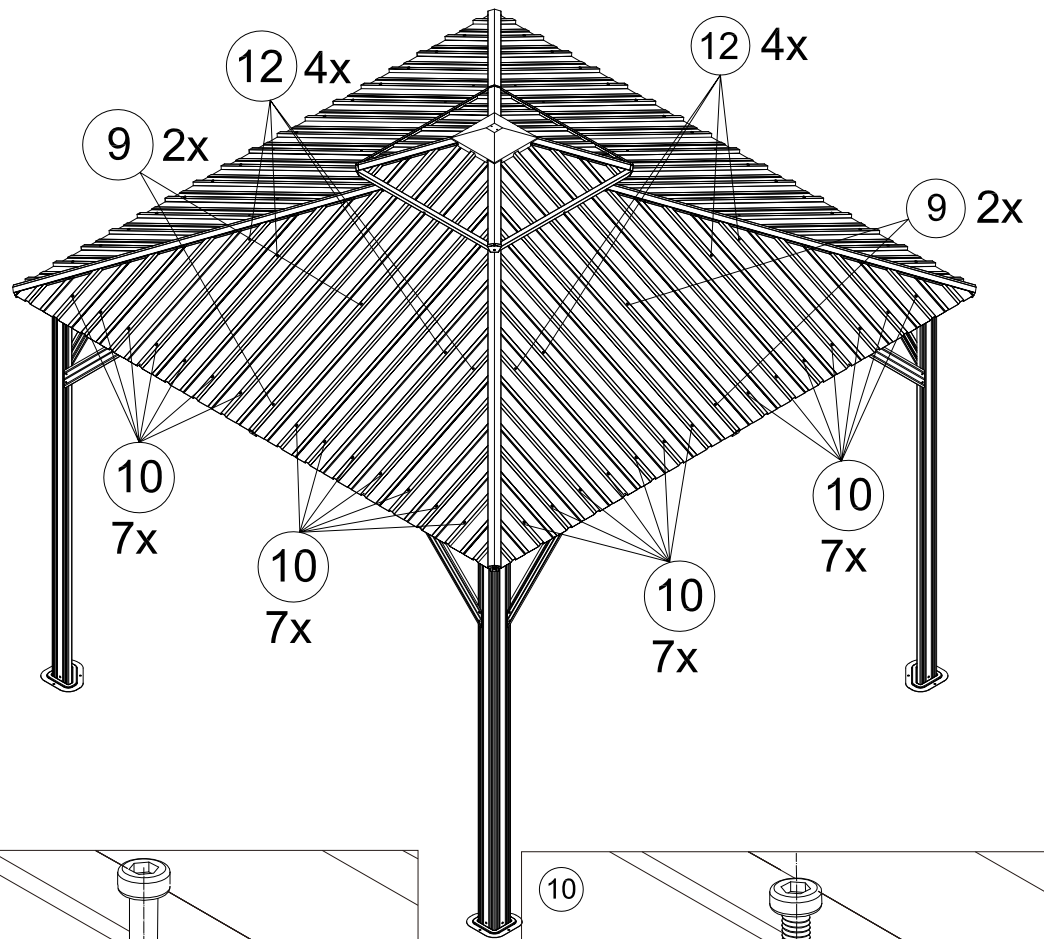


X4

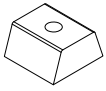




⚠ Part #W should be inserted between roof panels and solidifying bar or beams, then secure with bolts and nuts.



**ATTENTION:** The bigger roof panel need to cover the smaller one.



(W) 20x



(1) 1x



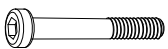
M6

(5) 20x



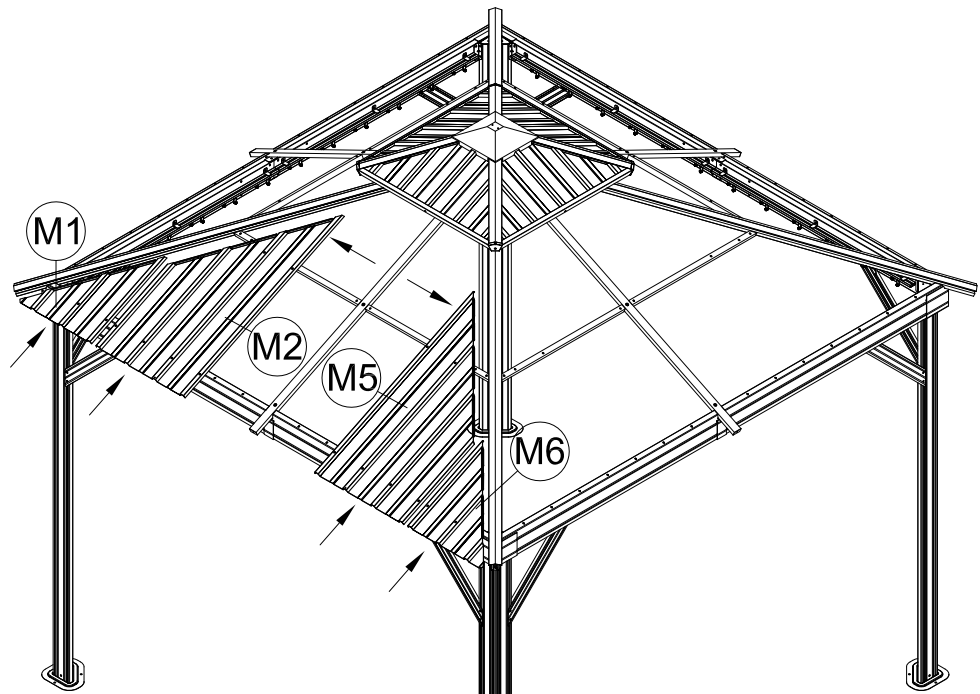
M6x28

(10) 16x

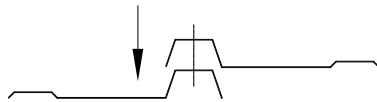


M6x50

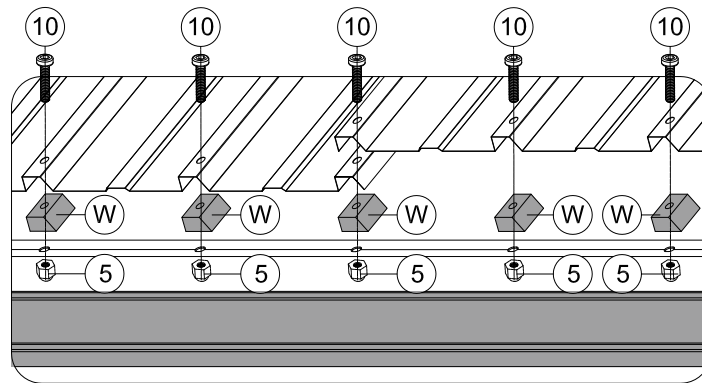
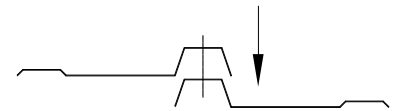
(12) 4x



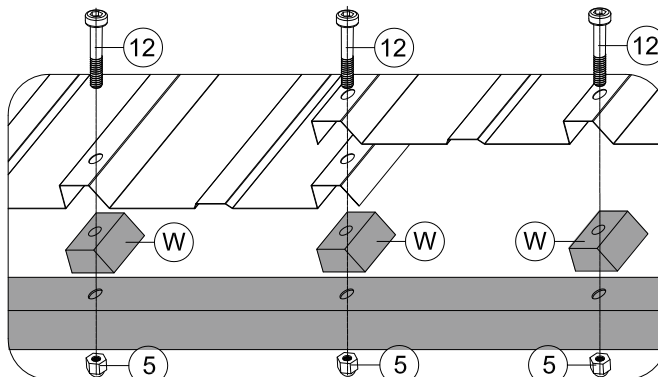
(1) Insert Part #M1 and Part #M2 into the frame.



(2) Insert Part #M5 and Part #M6 into the frame.



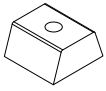
(3) Place 8 Part #W between roof panels and beams. Then secure with 8 Bolts #10 and 8 Nuts #5.



(4) Place 2 Part #W between roof panels and solidifying bars. Then secure with 2 Bolts #12 and 2 Nuts #5.

(5) Repeat the above procedures to assemble the opposite side.

**ATTENTION:** The bigger roof panel need to cover the smaller one.



(W) 16x



(1) 1x



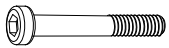
M6

(5) 16x



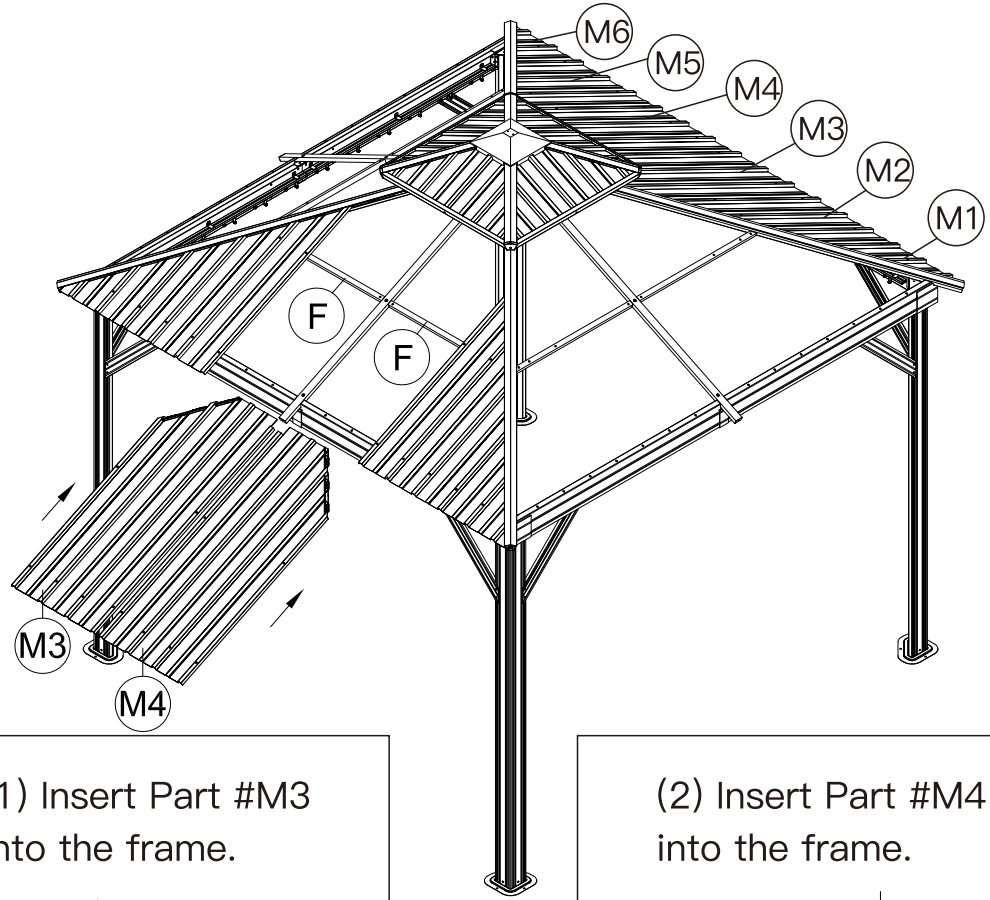
M6x28

(10) 12x

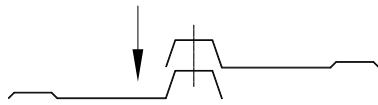


M6x50

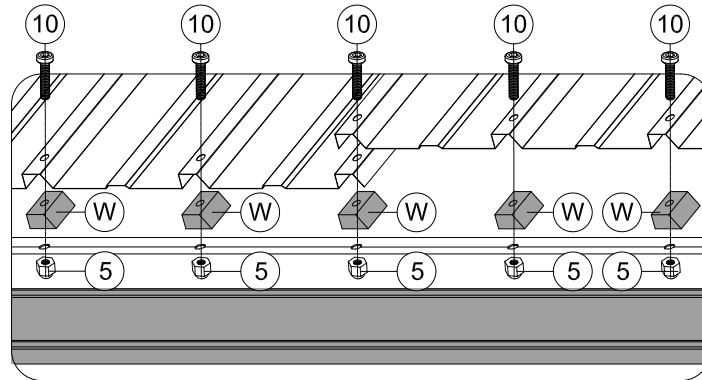
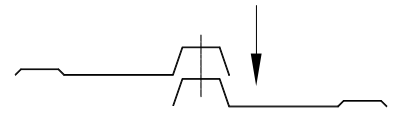
(12) 4x



(1) Insert Part #M3 into the frame.

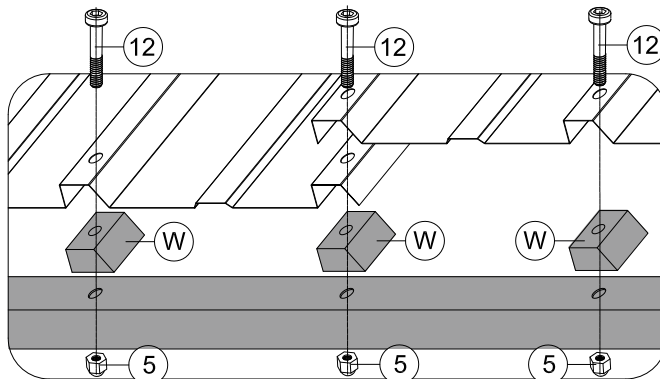


(2) Insert Part #M4 into the frame.



**Beam**

(3) Place 6 Part #W between roof panels and beams. Then secure with 6 Bolts #10 and 8 Nuts #5.

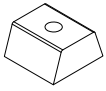


(4) Place 2 Part #W between roof panels and solidifying bars. Then secure with 2 Bolts #12 and 2 Nuts #5.

**Solidifying Bar**

(5) Repeat the above procedures to assemble the opposite side.

**ATTENTION:** The bigger roof panel need to cover the smaller one.



(W) 20x



(1) 1x



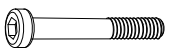
M6

(5) 20x



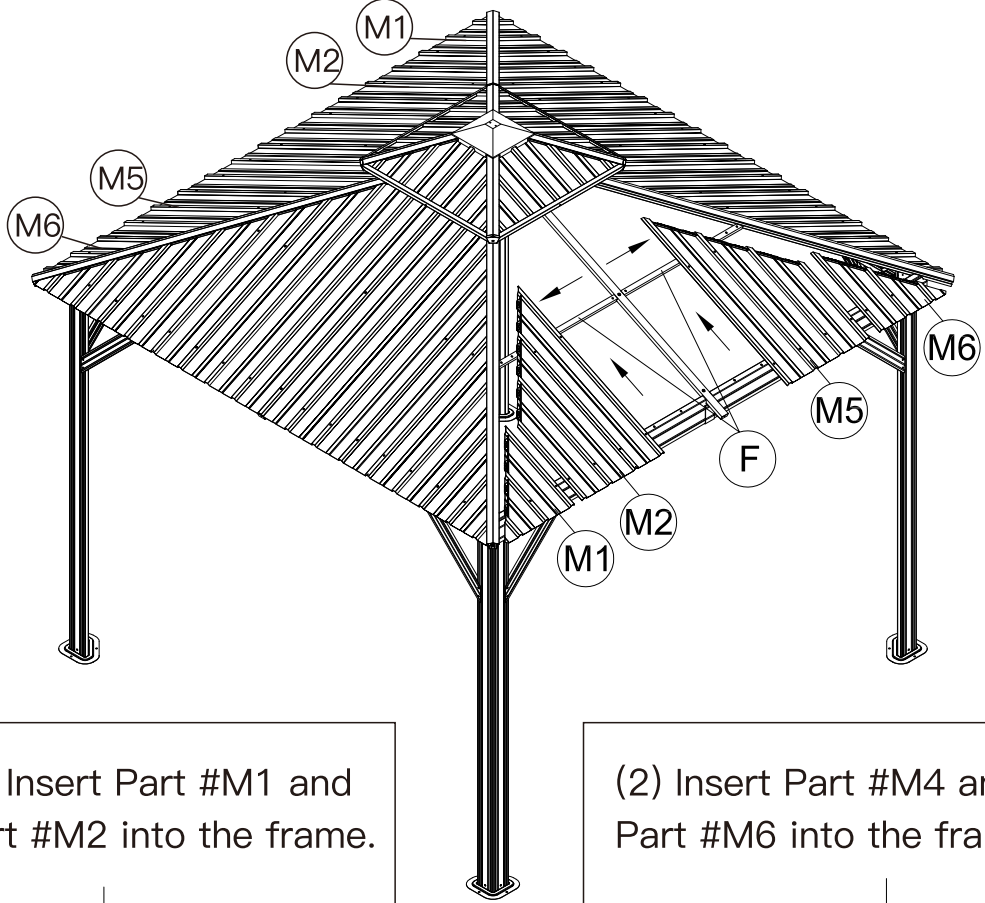
M6x28

(10) 16x

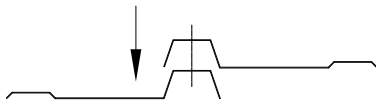


M6x50

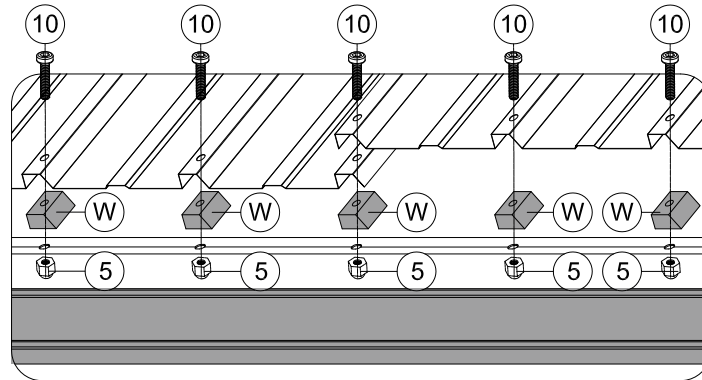
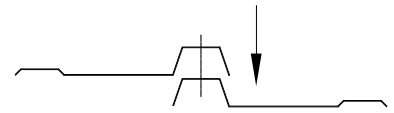
(12) 4x



(1) Insert Part #M1 and Part #M2 into the frame.

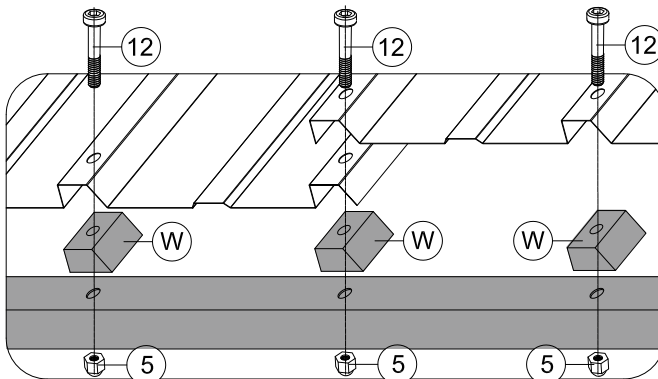


(2) Insert Part #M4 and Part #M6 into the frame.



**Beam**

(3) Place 8 Part #W between roof panels and beams. Then secure with 8 Bolts #10 and 8 Nuts #5.

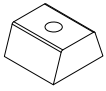


(4) Place 2 Part #W between roof panels and solidifying bars. Then secure with 2 Bolts #12 and 2 Nuts #5.

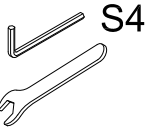
**Solidifying Bar**

(5) Repeat the above procedures to assemble the opposite side.

**ATTENTION:** The bigger roof panel need to cover the smaller one.



(W) 16x



(1) 1x



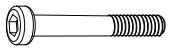
M6

(5) 16x



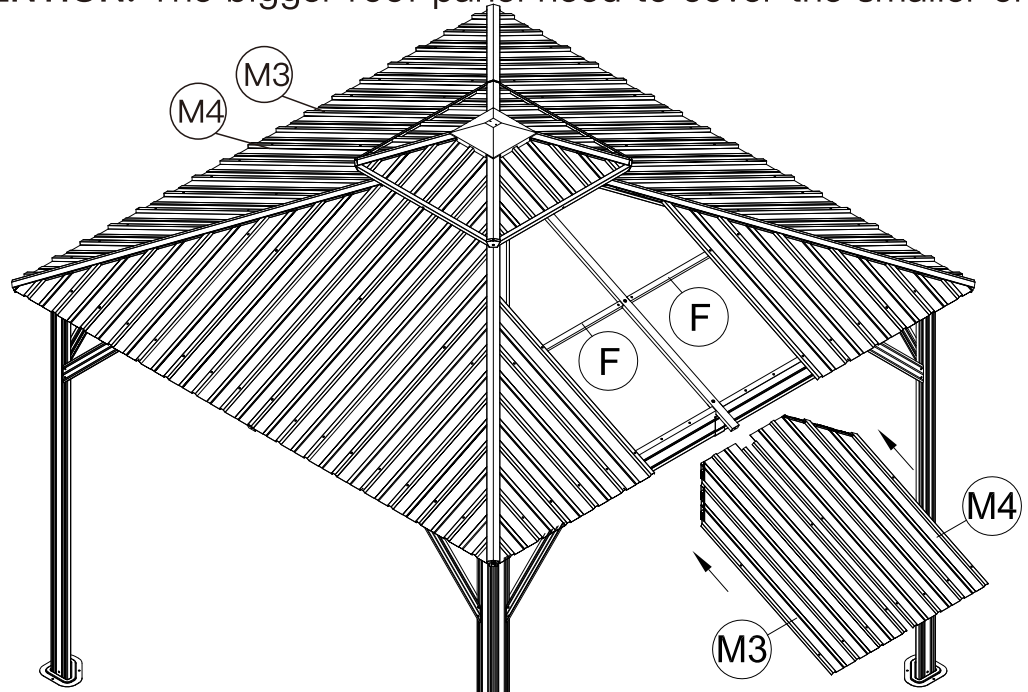
M6x28

(10) 12x

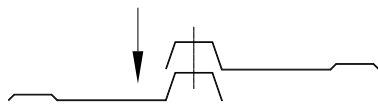


M6x50

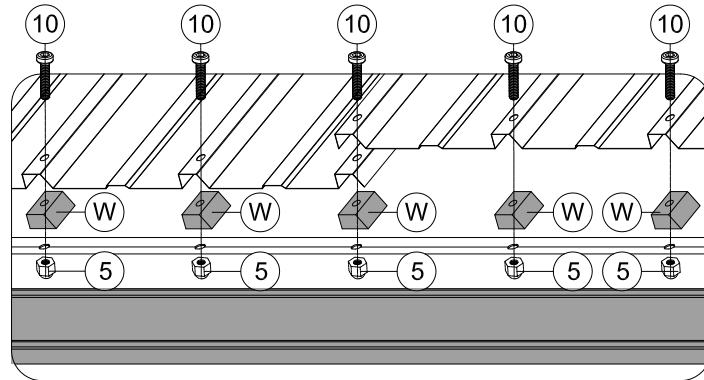
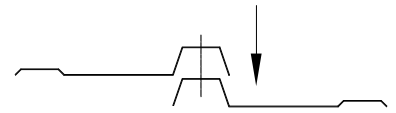
(12) 4x



(1) Insert Part #M3 into the frame.

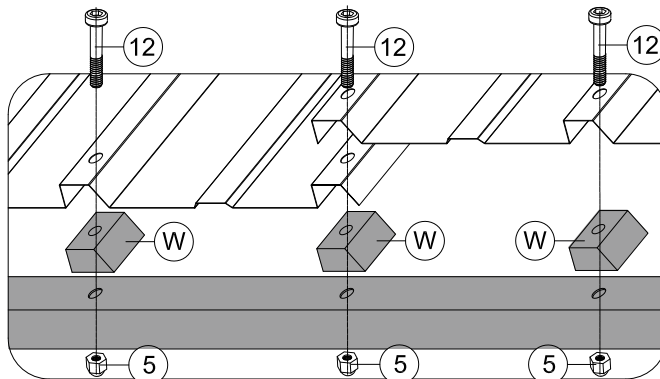


(2) Insert Part #M4 into the frame.



**Beam**

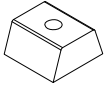
(3) Place 6 Part #W between roof panels and beams. Then secure with 6 Bolts #10 and 6 Nuts #5.



(4) Place 2 Part #W between roof panels and solidifying bars. Then secure with 2 Bolts #12 and 2 Nuts #5.

**Solidifying Bar**

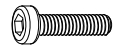
(5) Repeat the above procedures to assemble the opposite side.



W 8x



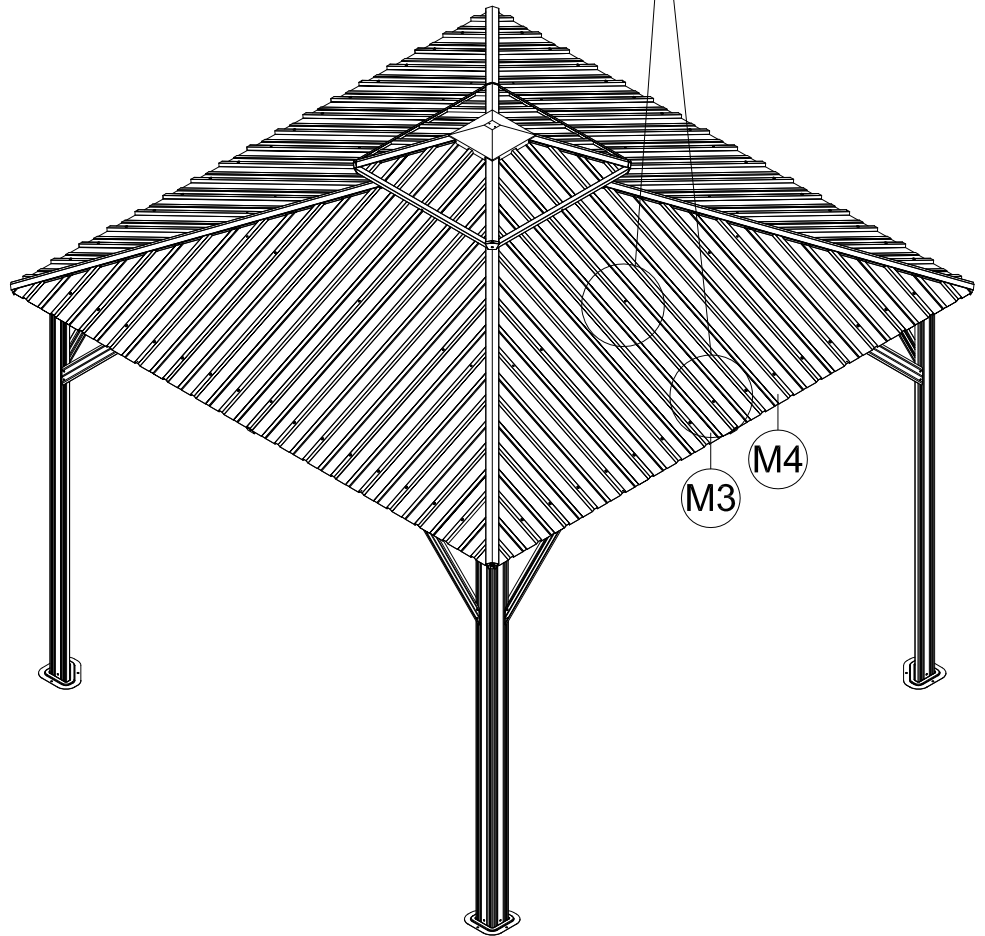
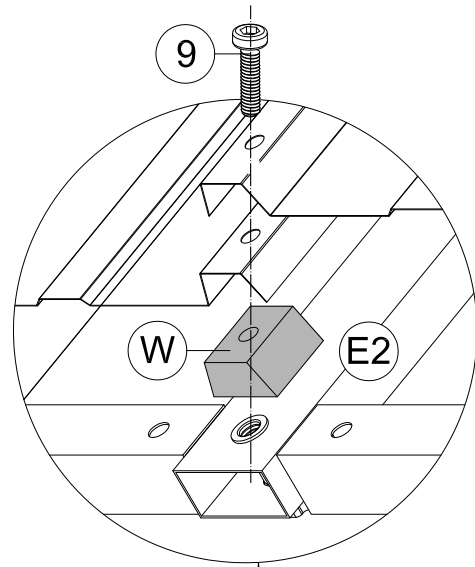
1 1x



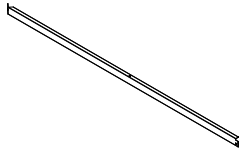
M6x25

9 8x

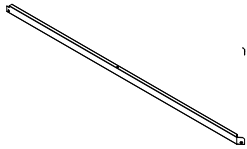
(1) Place Part #W between roof panels and Part #E2. Then secure with Bolt #9.



(2) Repeat the above procedures to assemble the other 3 sides.



(K) 4x



(K1) 4x

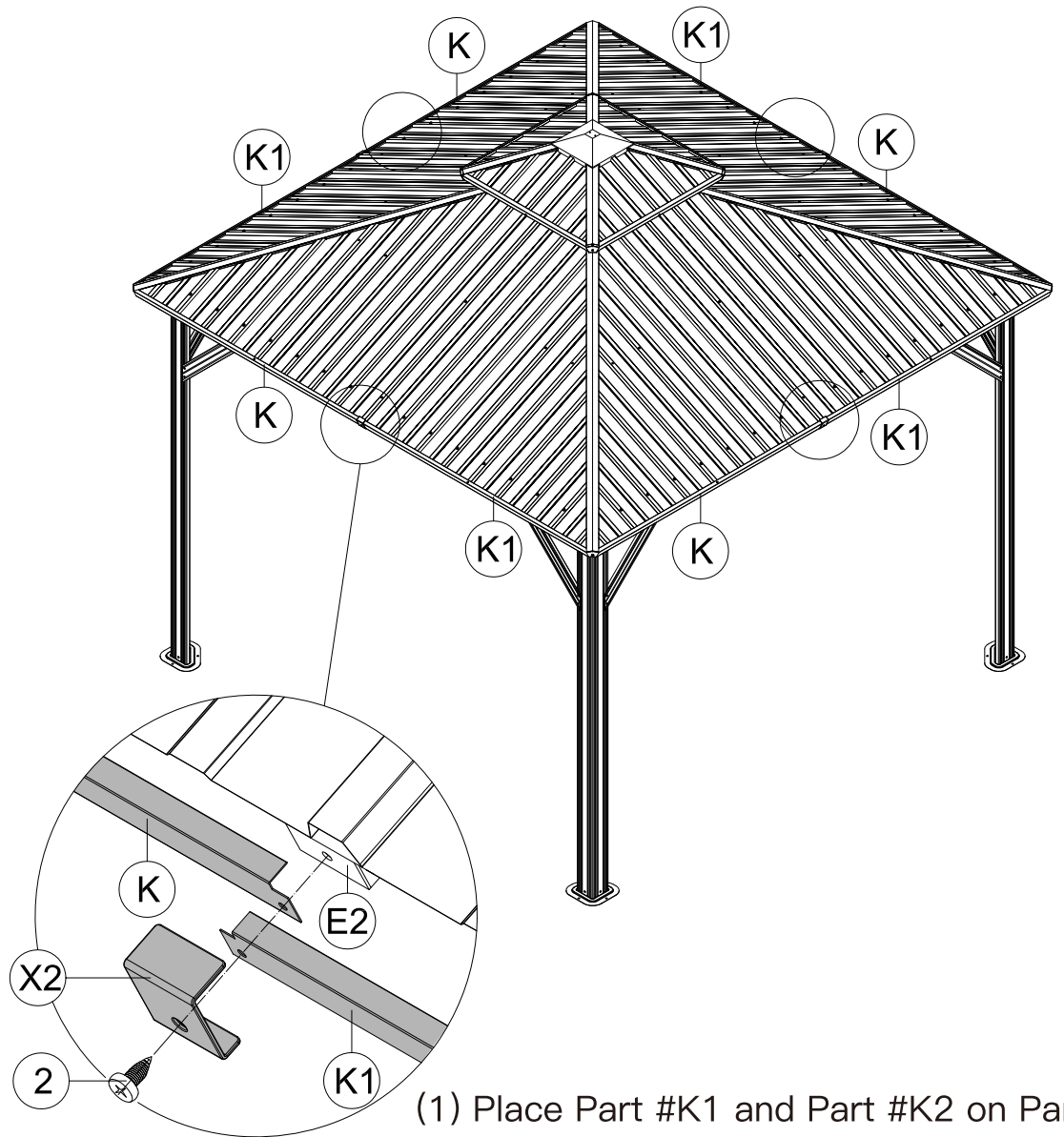


(X2) 4x



ST6.3x15

(2) 4x



(1) Place Part #K1 and Part #K2 on Part #E2; Put on Part #X2 and secure with Self-tapping Screw #2.

(2) Repeat the above procedures for the other 3 sides.

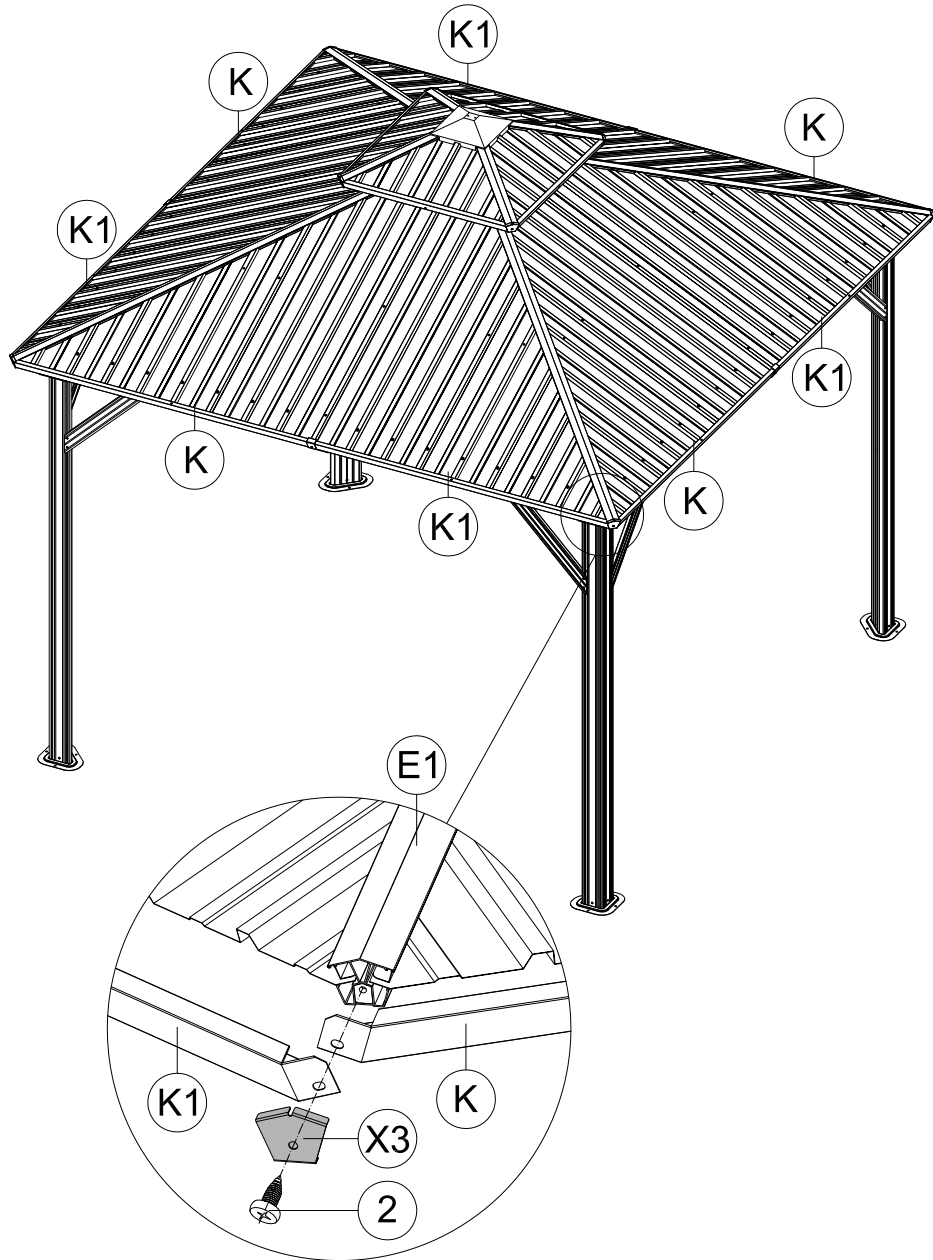


X3 4x



ST6.3x15

2 4x



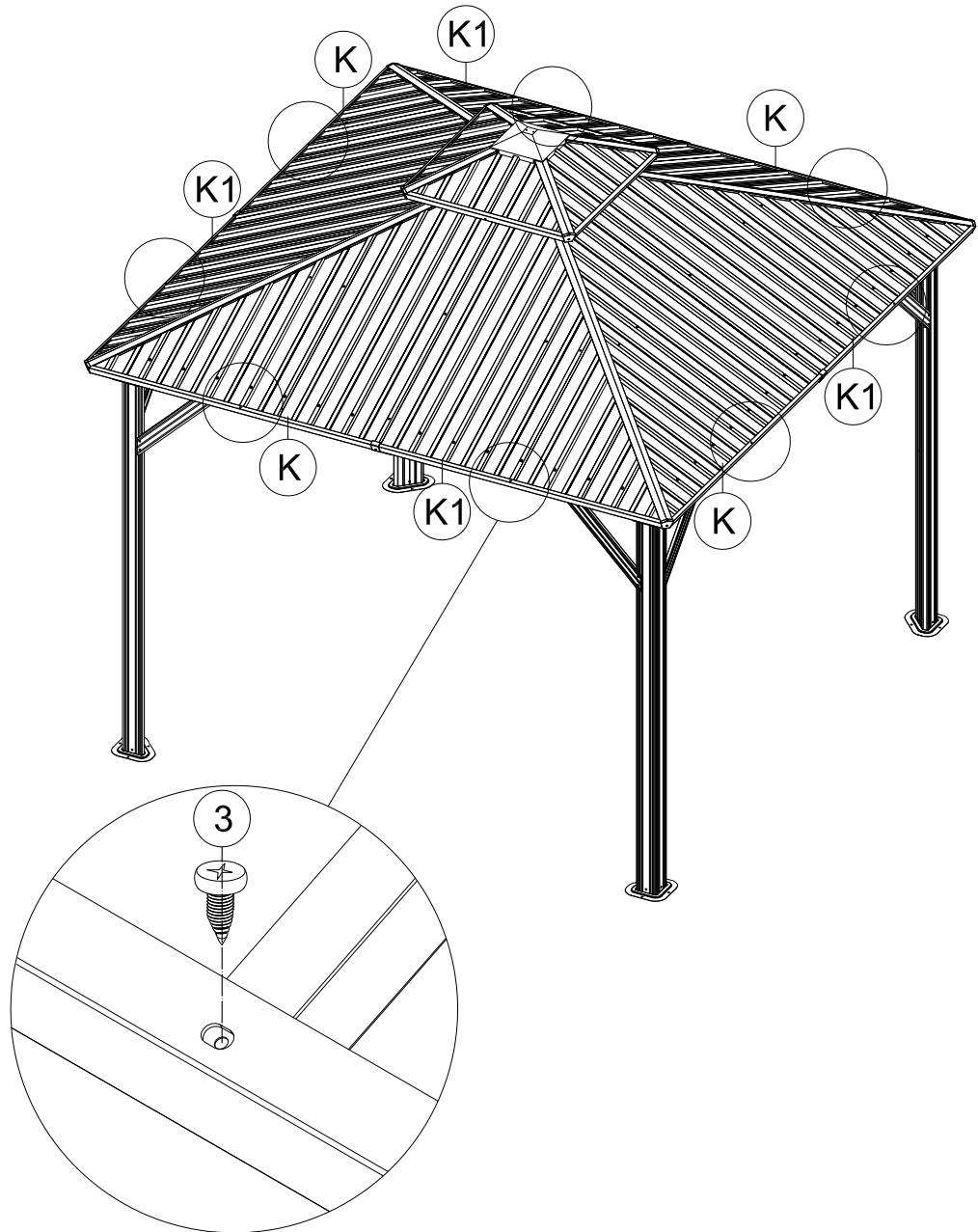
(1) Place Part #K1 and Part #K on Part #E; Put on Part #X3 and secure with Self-tapping Screw #2.

(2) Repeat the above procedures for the other 3 corners.

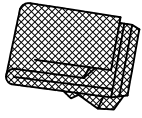


ST5x16

3 8x

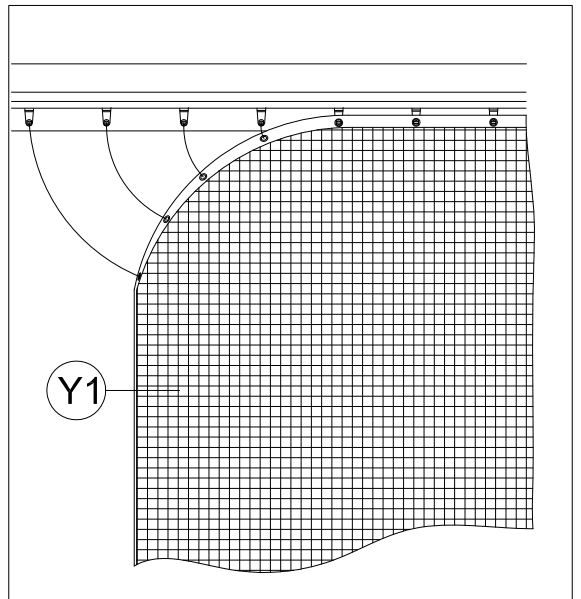
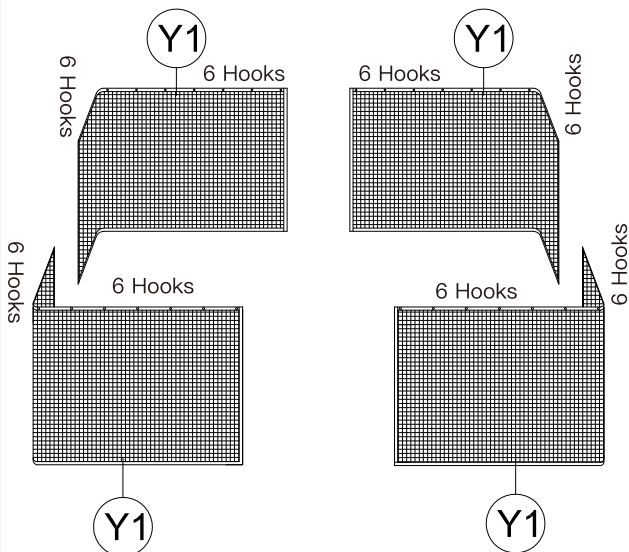
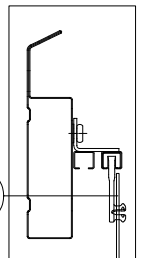
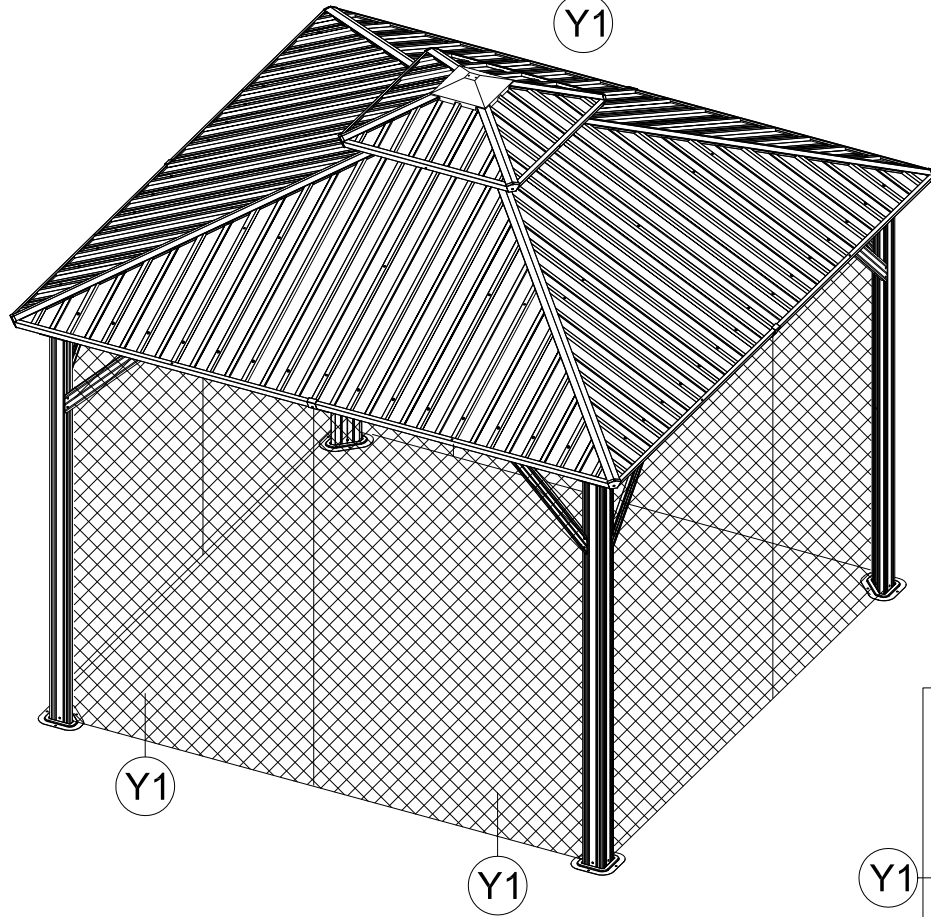
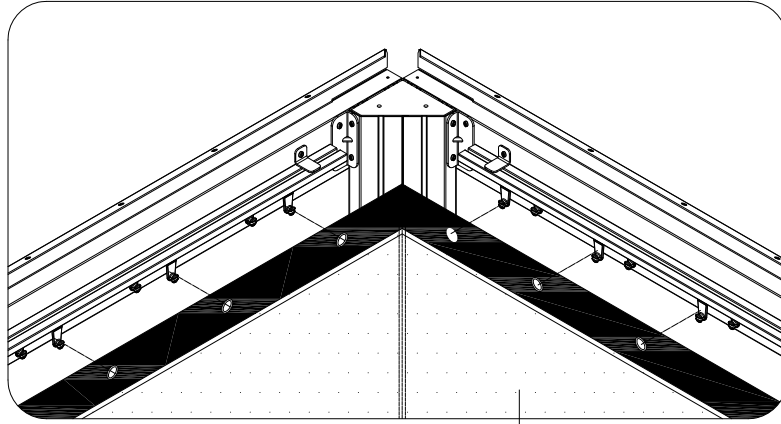


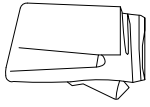
- (1) Attach roof panels to finishing bars with 2 Self-tapping Screws #3.
- (2) Repeat the above procedures for the other 3 sides.



Y1 4x

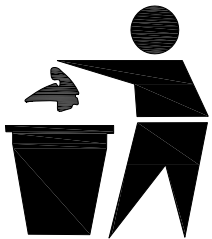
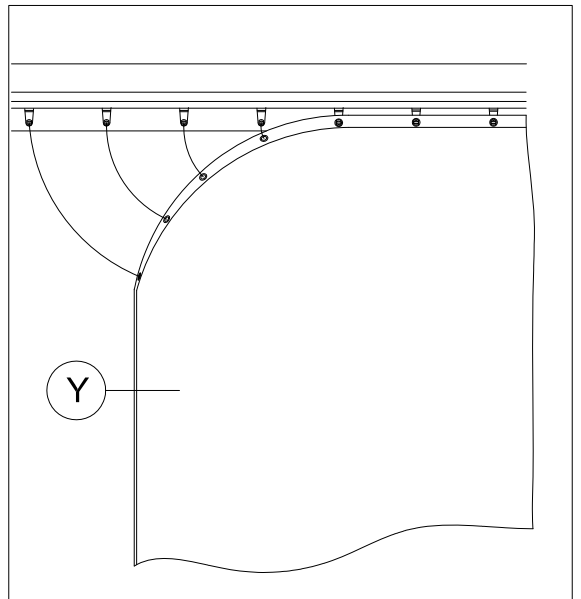
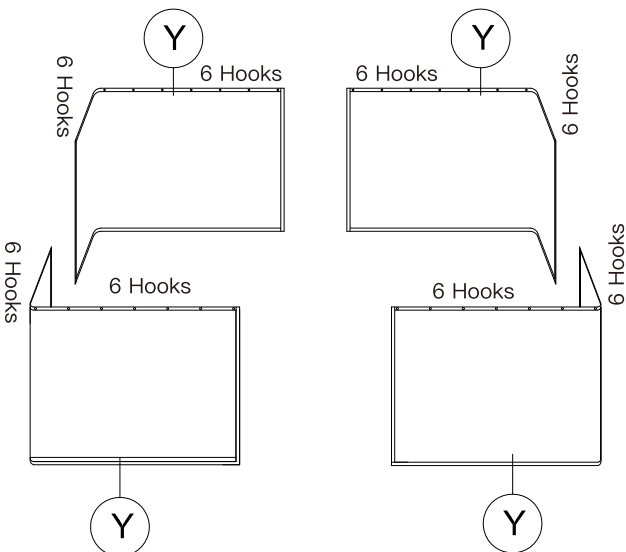
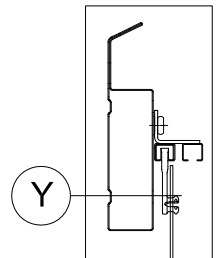
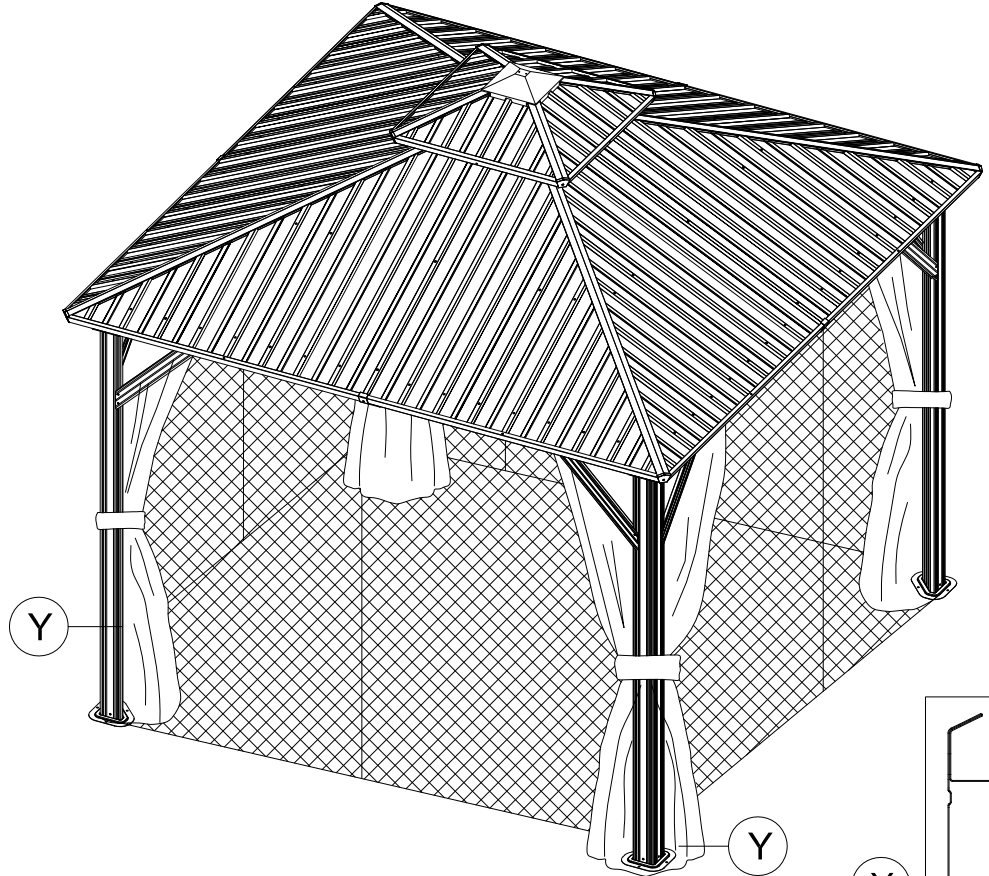
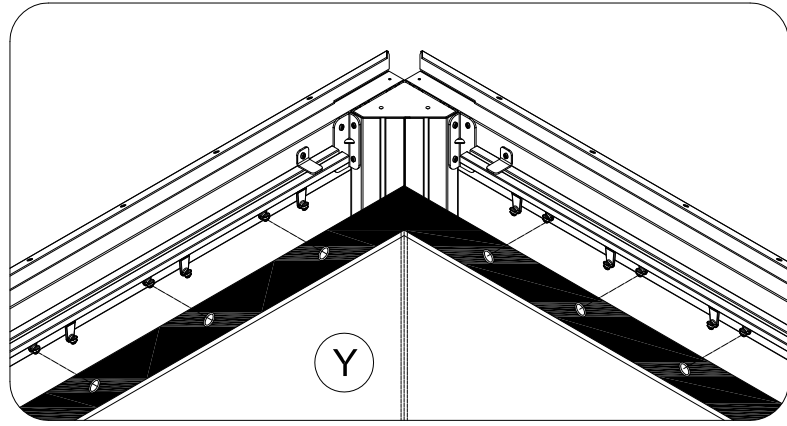
# Hang up Mosquito Sidewalls to Inside Track





Y 4x

# Hang up Solid Sidewalls to **Outside Track**



# Thanks for your purchase.

At domi outdoor living, we believe in our products.

That's why we provide a 12-month warranty and friendly, easy-to-reach after-sales service. So, if you have any questions about our product or assembly, please feel free to contact us. We are here for you.

**Support:**  

**After-sales contact email:**

[service@domioutdoorliving.com](mailto:service@domioutdoorliving.com)

Please have your order ID available if you reach out for support.

If you have damaged parts or product, please send us photos for an immediate response.