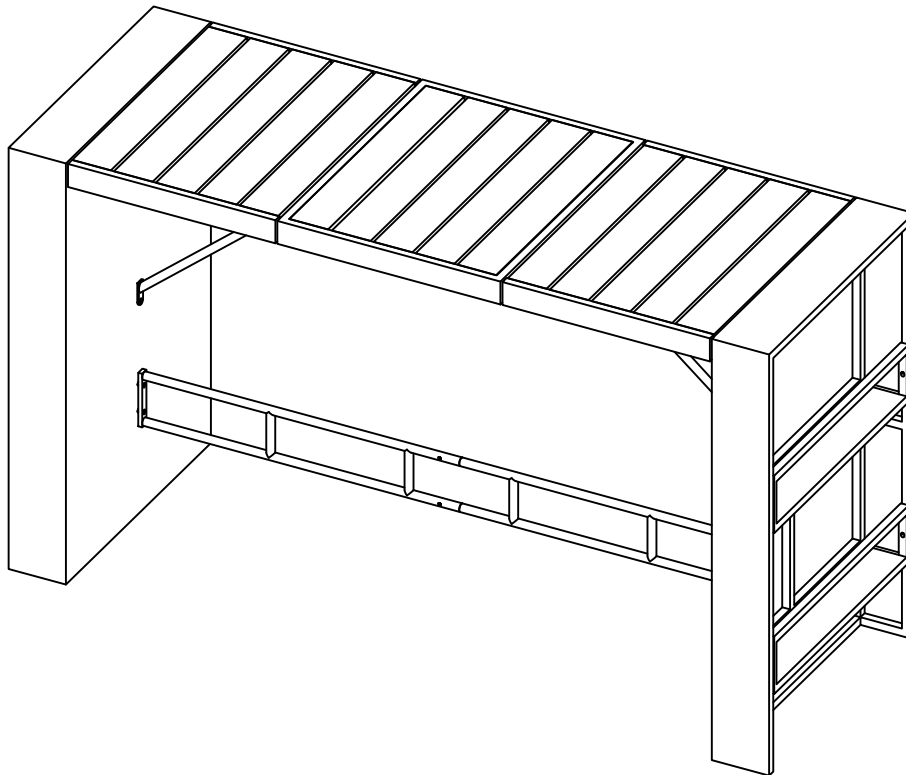


# RATTAN BAR TABLE



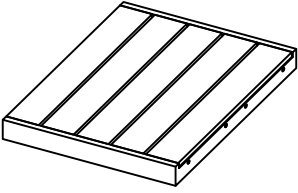
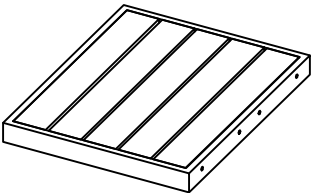
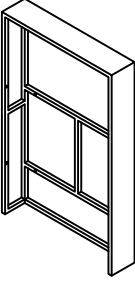
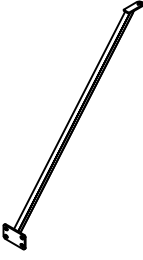
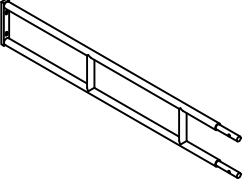
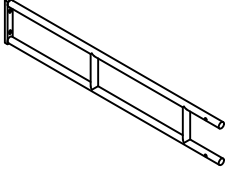
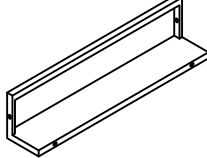

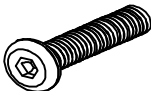
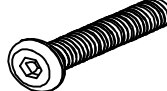



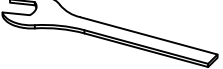
## ATTENTION Section:

1. If you encounter any issues, such as missing accessories or damaged parts, please contact us immediately and include pictures

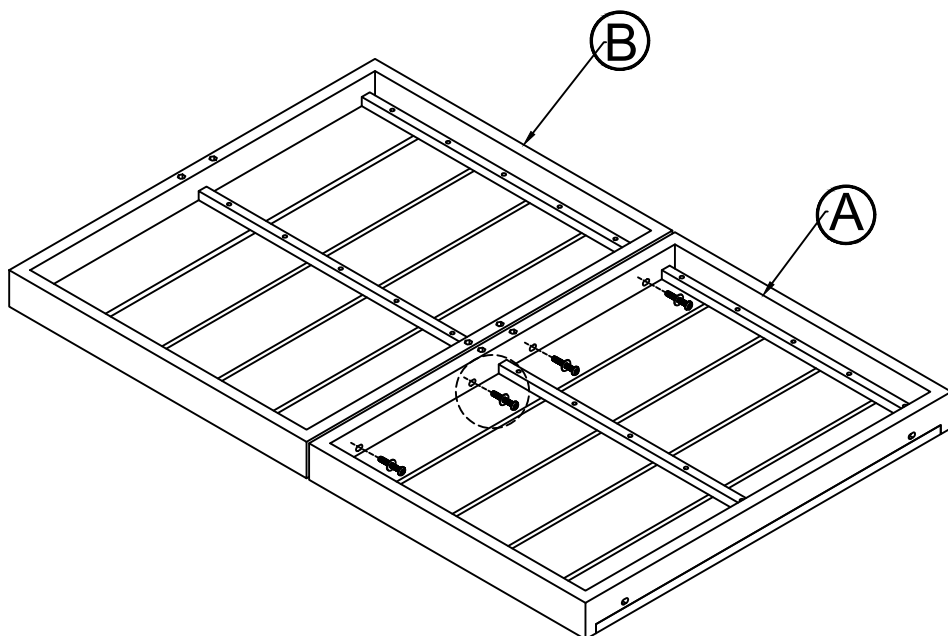
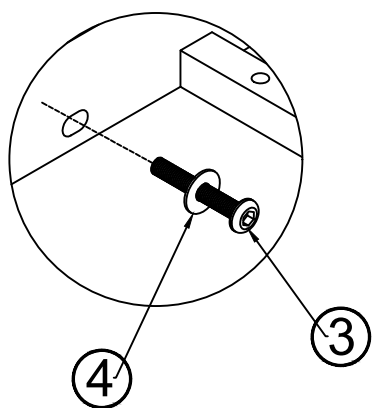
## Assembly Instructions:

1. Assembly requires two people to complete.
2. For optimal assembly, we highly recommend using the provided Allen key. If using a power tool, please set it to a low speed to prevent any damage
3. Do not fully tighten the screws until all screws are properly aligned with their holes.

# PARTS LIST OF BOX

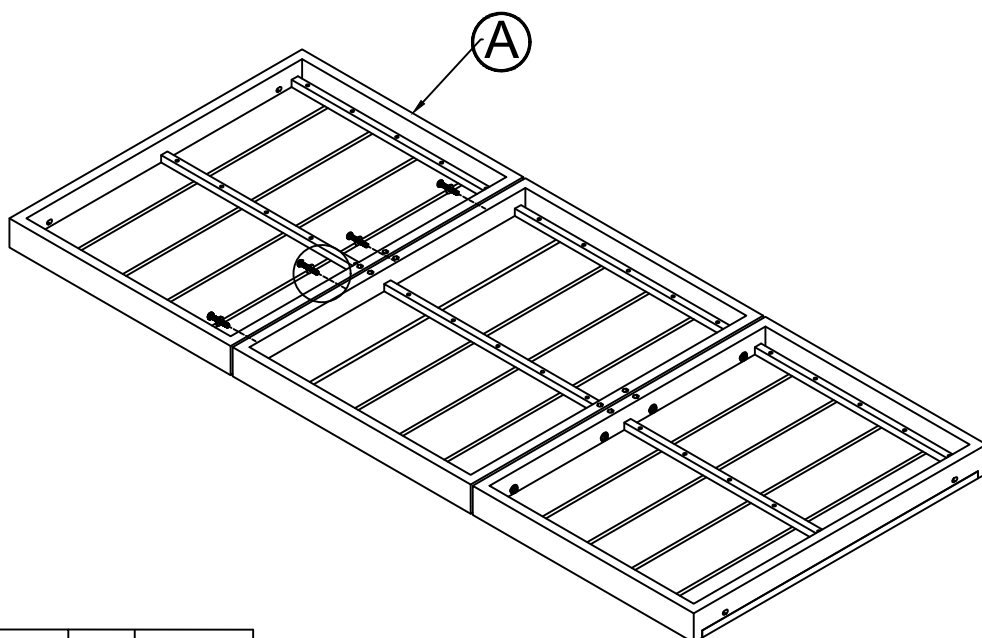
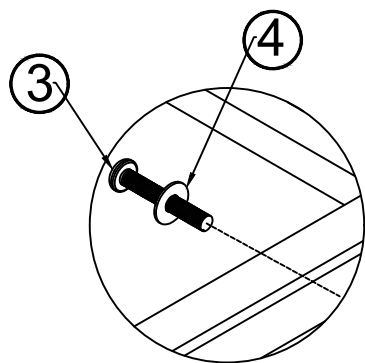
<p><b>A</b></p>  <p>2pcs</p>	<p><b>B</b></p>  <p>1pc</p>	<p><b>D</b></p>  <p>2pcs</p>	<p><b>E</b></p>  <p>2pcs</p>
<p><b>F</b></p>  <p>1pc</p>	<p><b>G</b></p>  <p>1pc</p>	<p><b>H</b></p>  <p>4pcs</p>	
<p>①</p>  <p>M6*20 10pcs</p>	<p>②</p>  <p>M6*30 22pcs</p>	<p>③</p>  <p>M6*40 12pcs</p>	<p>④</p>  <p>M6 46pcs</p>
<p>⑤</p>  <p>M6 2pcs</p>	<p>⑥</p>  <p>M6 1pc</p>	<p>⑦</p>  <p>M6 1pc</p>	

# STEP 1



A	1pc	B	1pc	③	4pcs	④	4pcs	⑥	1pc
				M6*40		M6		M6	

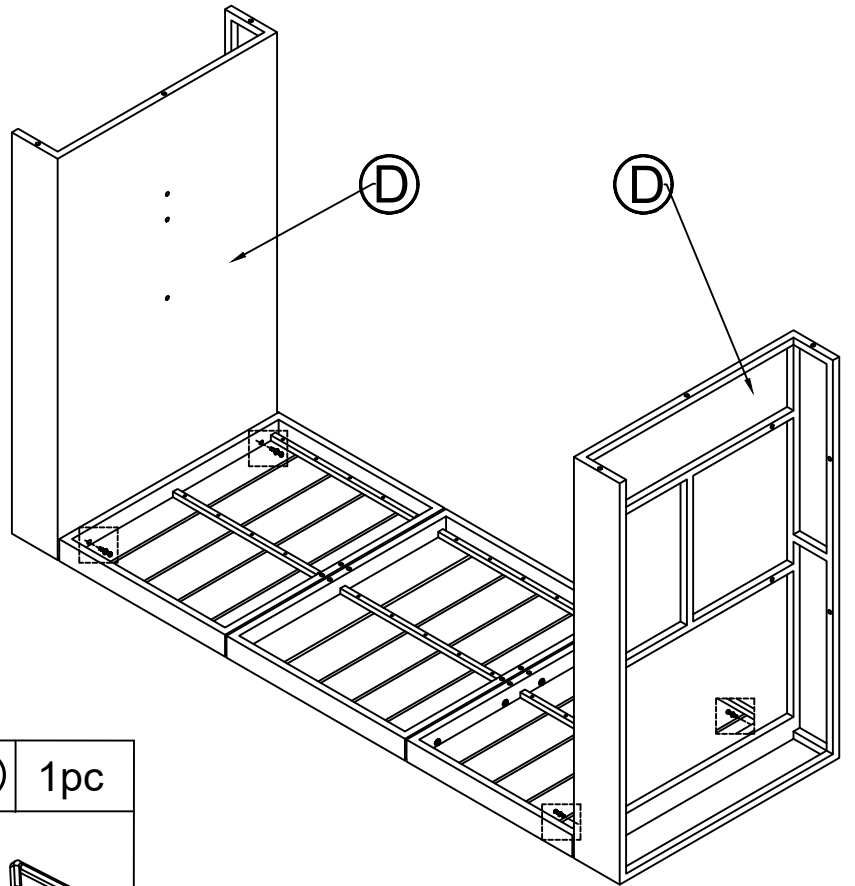
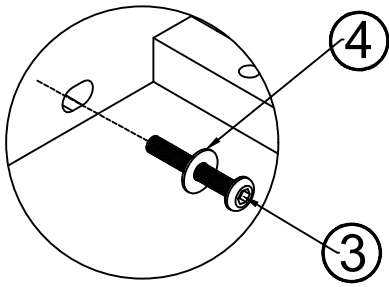
# STEP 2

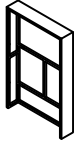





A	1pc	③	4pcs	④	4pcs	⑥	1pc
		M6*40		M6		M6	

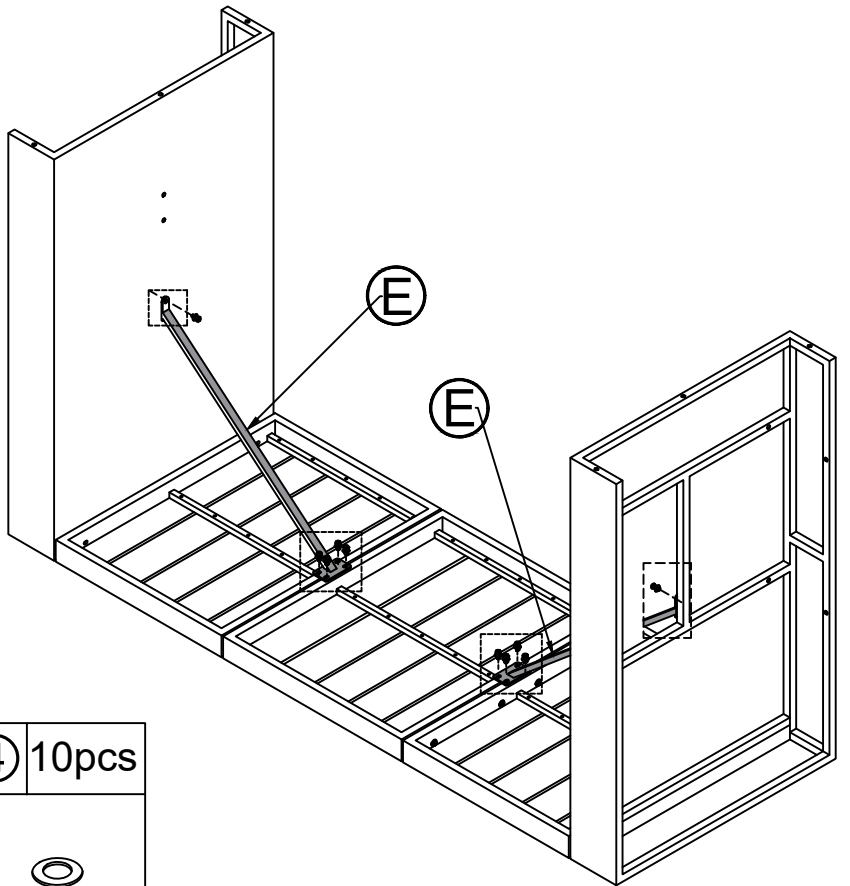
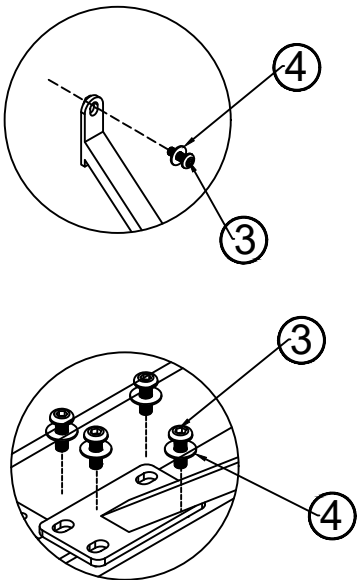
Do not fully tighten all screws until assembly is completed.





### STEP 3



D	2pcs	③	4pcs	④	4pcs	⑥	1pc
							
		M6*40		M6		M6	

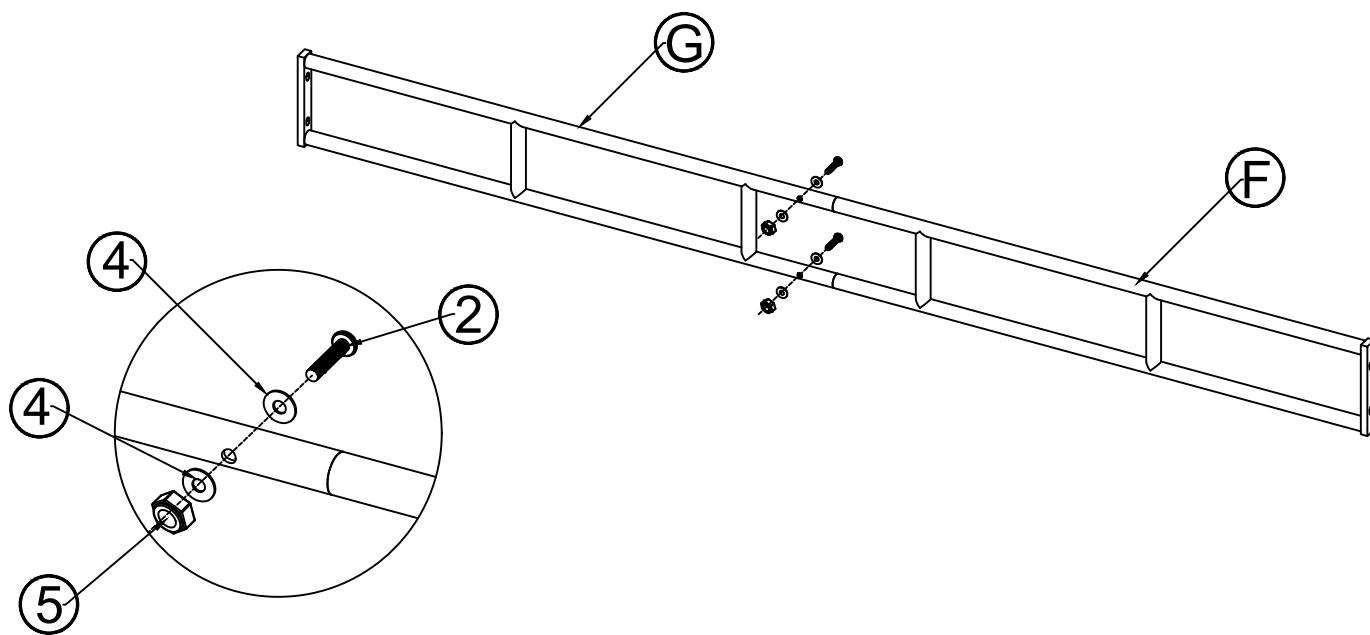
### STEP 4

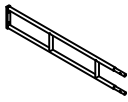
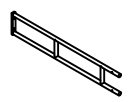






E	2pcs	①	1pc	③	10pcs	④	10pcs
							
		M6		M6*20		M6	

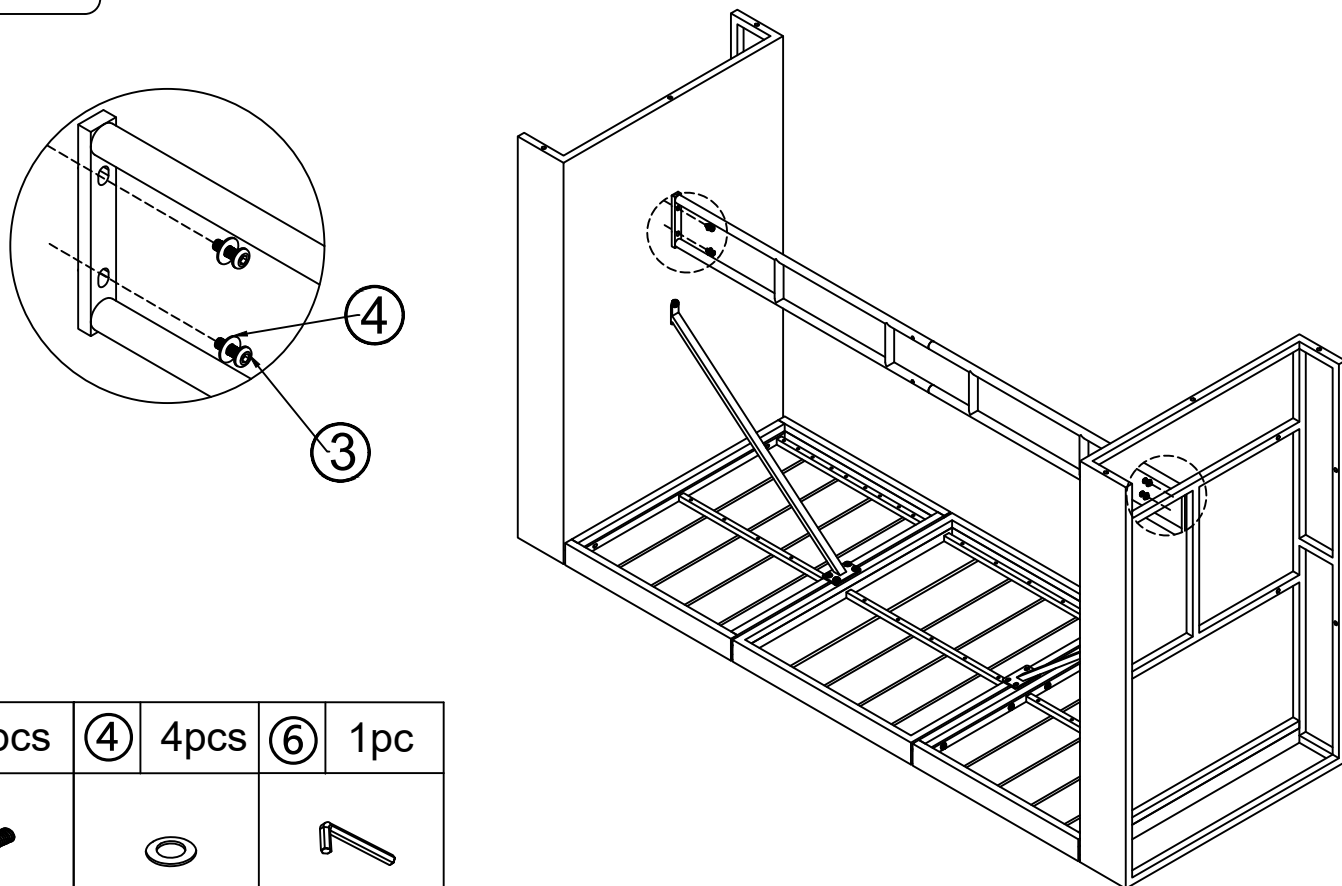
Do not fully tighten all screws until assembly is completed.




# STEP 5



F	1pc	G	1pc	②	2pcs	④	4pcs	⑤	2pcs	⑥	1pc
											
				M6*30		M6		M6		M6	

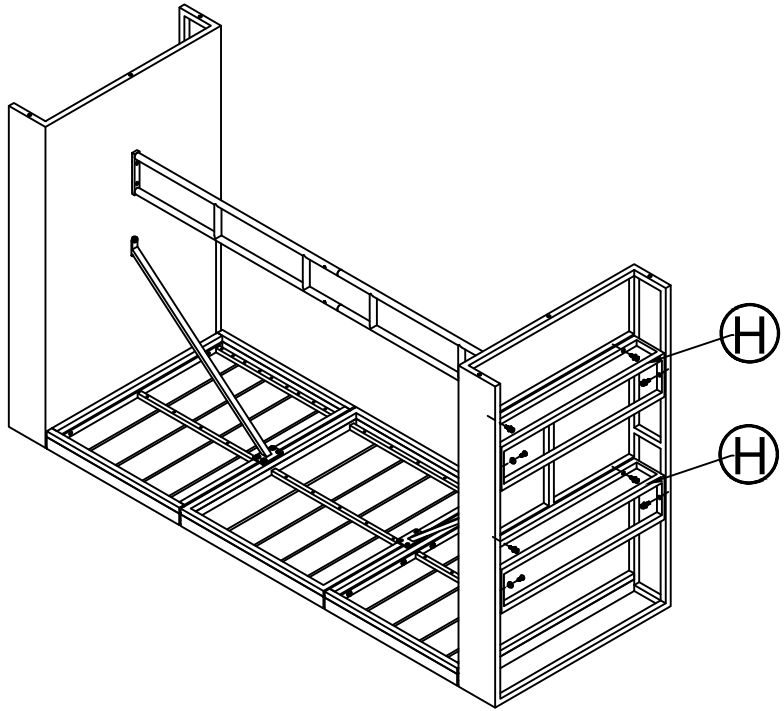
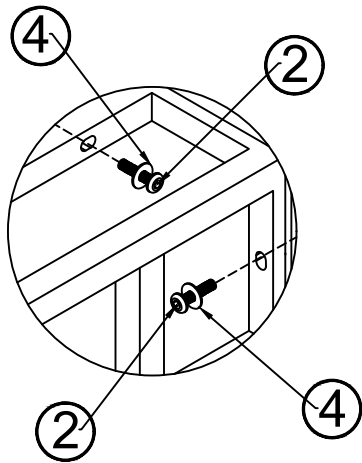
# STEP 6



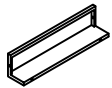
③	4pcs	④	4pcs	⑥	1pc
					
M6*30		M6		M6	

Do not fully tighten all screws until assembly is completed.

## STEP 7



H	2pcs	②	8pcs	④	8pcs	⑥	1pc
---	------	---	------	---	------	---	-----



M6\*30

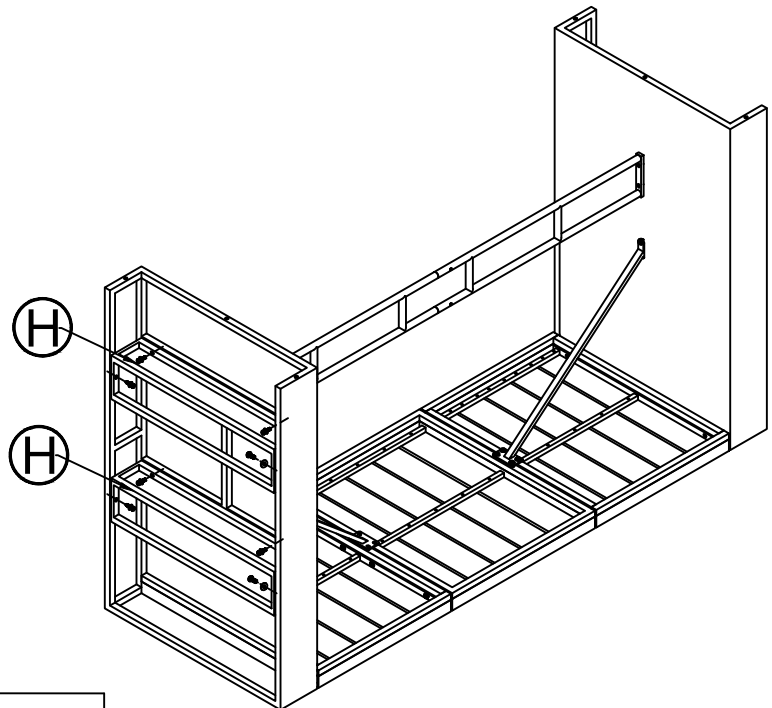
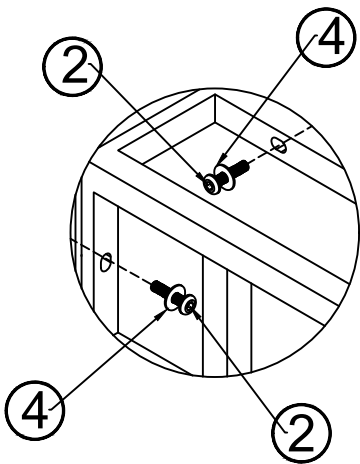


M6

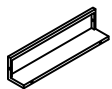


M6

## STEP 8



H	2pcs	②	8pcs	④	8pcs	⑥	1pc
---	------	---	------	---	------	---	-----



M6\*30



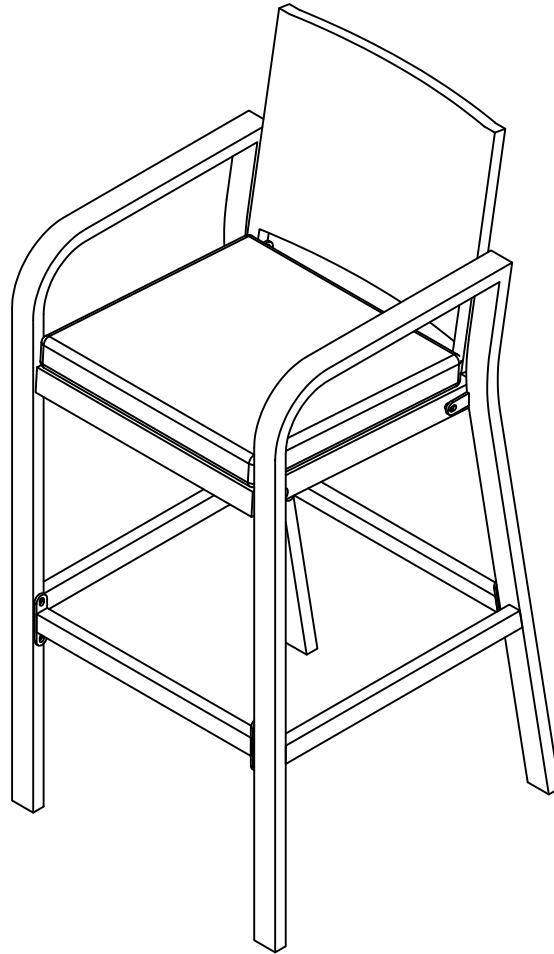
M6



M6

Do not fully tighten all screws until assembly is completed.

# RATTAN BAR CHAIR



## ATTENTION Section:

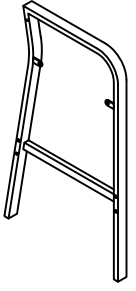
1. If you encounter any issues, such as missing accessories or damaged parts, please contact us immediately and include pictures

## Assembly Instructions:

1. Assembly requires two people to complete.
2. For optimal assembly, we highly recommend using the provided Allen key.  
If using a power tool, please set it to a low speed to prevent any damage
3. Do not fully tighten the screws until all screws are properly aligned with their holes.

# PARTS LIST OF BOX

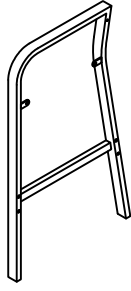
A



LEFT

2pcs

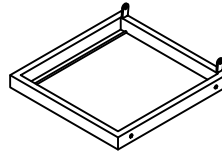
B



RIGHT

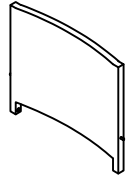
2pcs

C



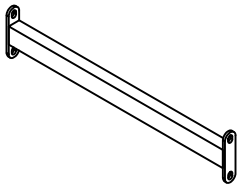
2pcs

D



2pcs

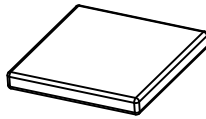
E



STAINLESS  
STEEL

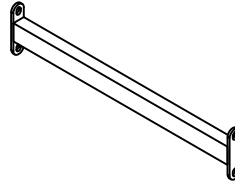
2pcs

F



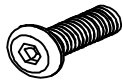
2pcs

G



2pcs

①



M6\*25

28pcs

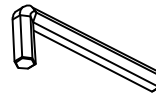
②



M6

28pcs

③

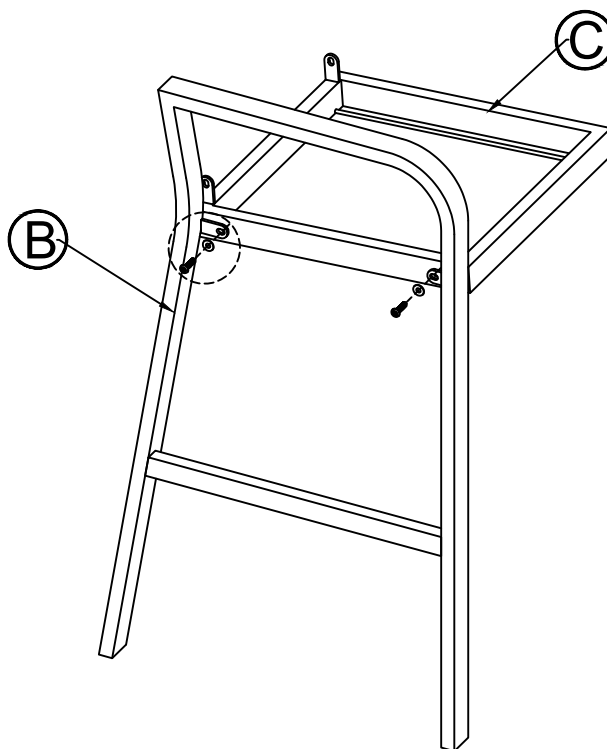
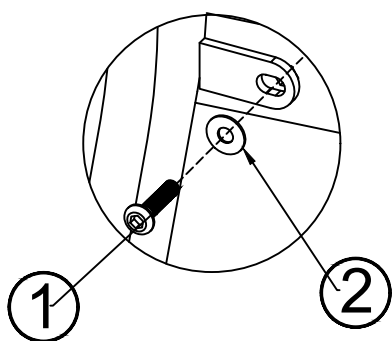



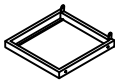



M6

2pcs

STEP 1

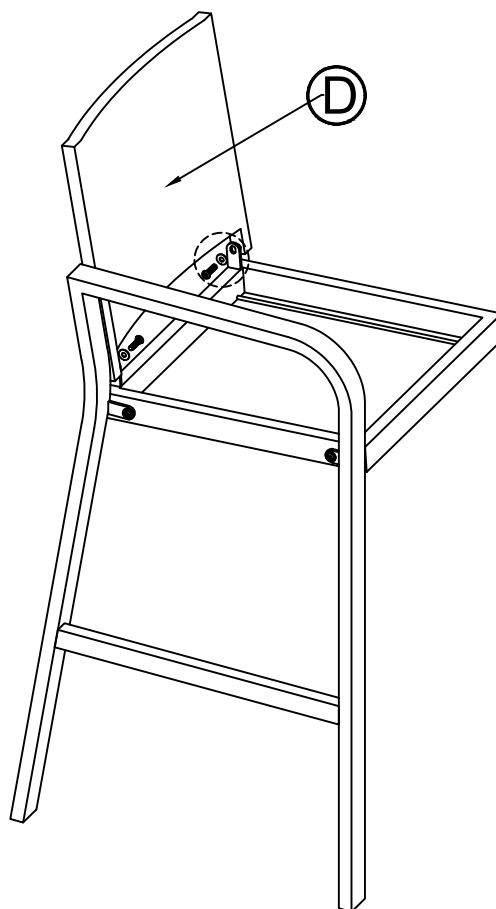
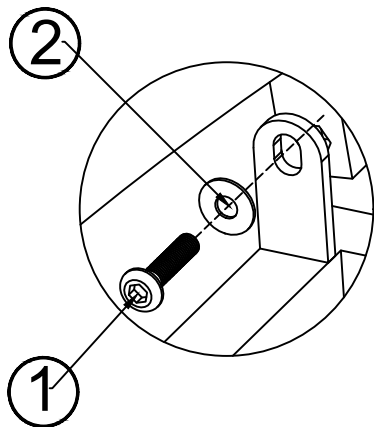
x2

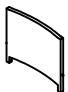





B	1pc	C	1pc	①	2pcs	②	2pcs	③	1pc
					M6*25		M6		M6

STEP 2

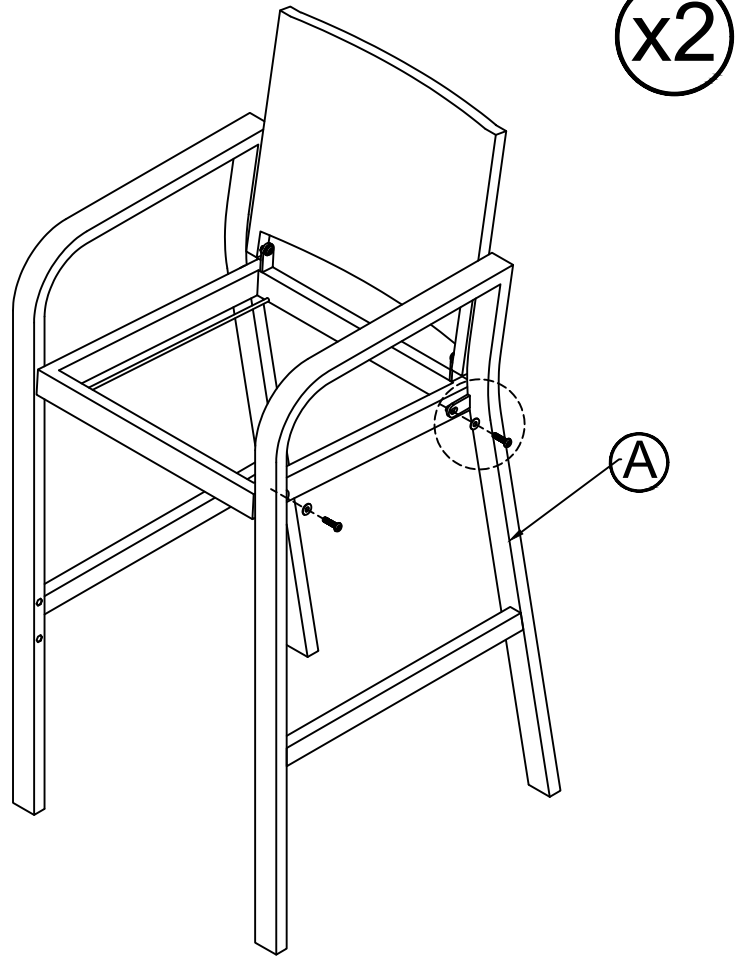
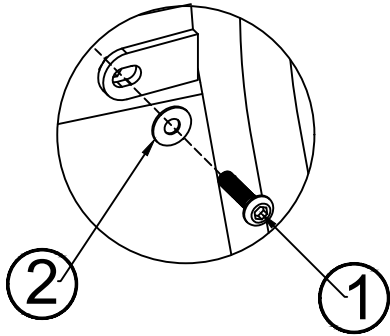
x2







D	1pc	①	2pcs	②	2pcs	③	1pc
			M6*25		M6		M6

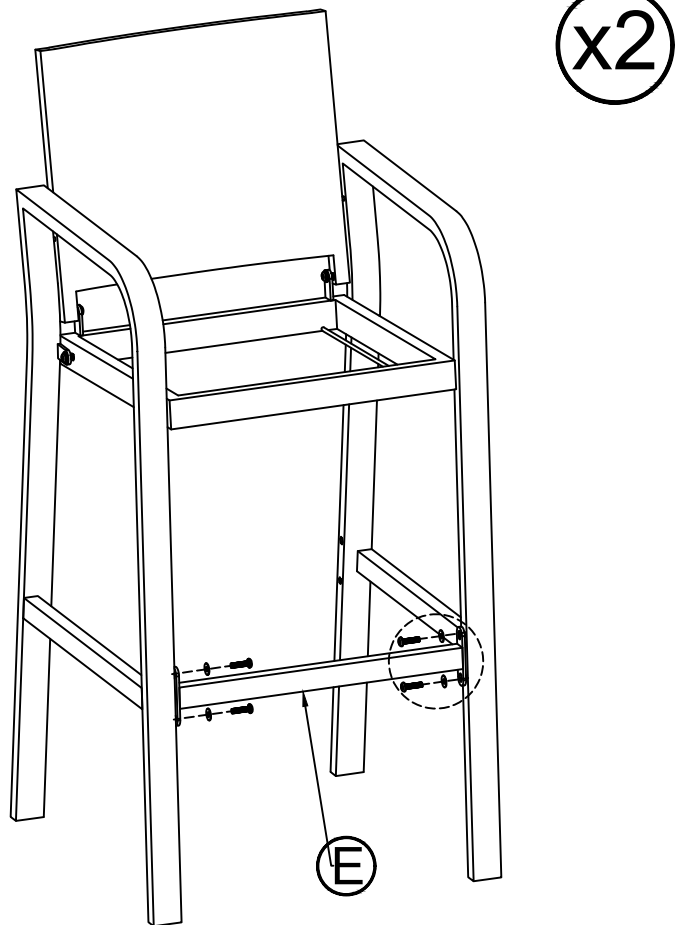
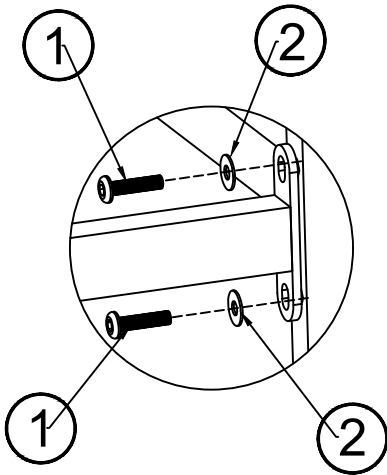
Do not fully tighten all screws until assembly is completed.

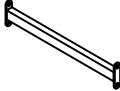



STEP 3



A	1pc	①	2pcs	②	2pcs	③	1pc
			M6*25		M6		M6

STEP 4

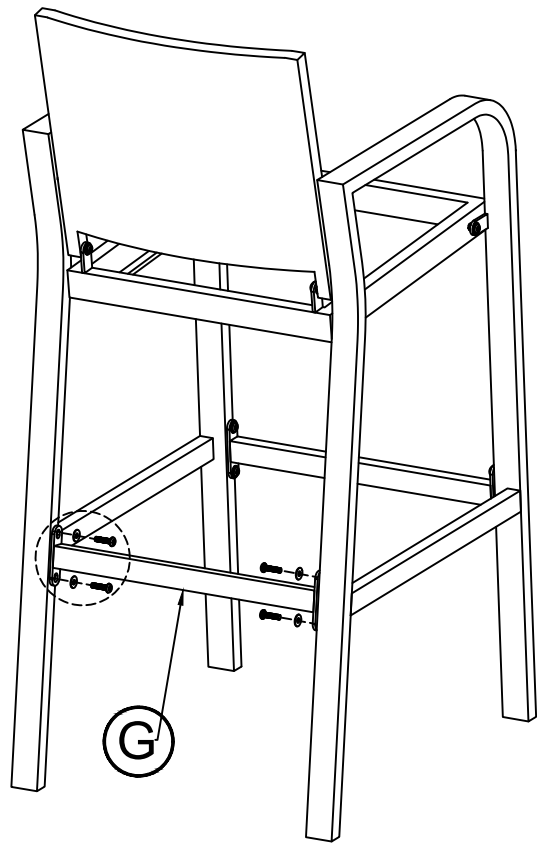
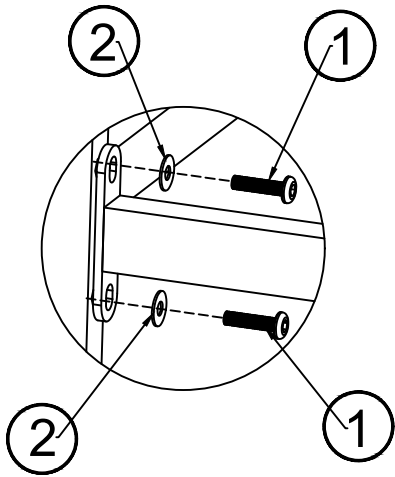


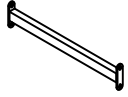



E	1pc	①	4pcs	②	4pcs	③	1pc
			M6*25		M6		M6

Do not fully tighten all screws until assembly is completed.

STEP 5

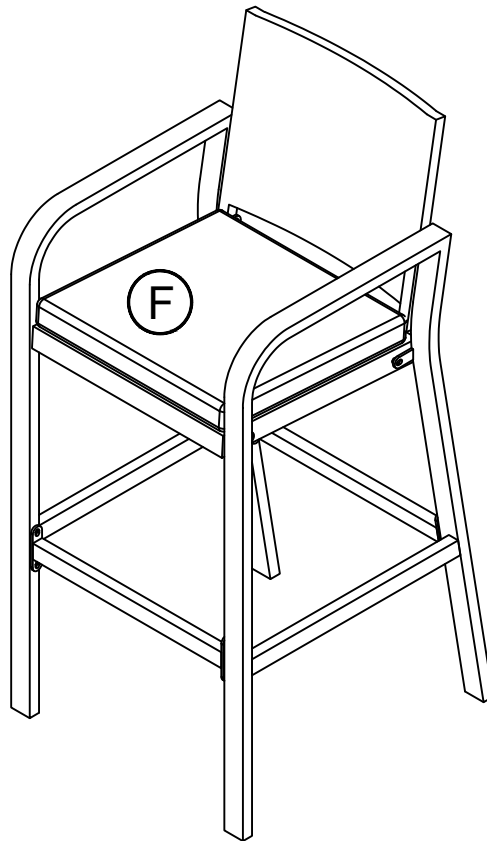
x2




G	1pc	①	4pcs	②	4pcs	③	1pc
							
		M6*25		M6		M6	

STEP 6

x2



F	1pc
	

Do not fully tighten all screws until assembly is completed.