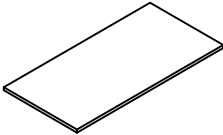
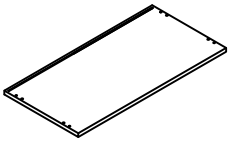
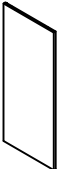

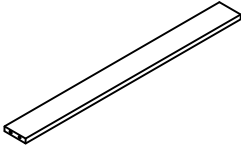
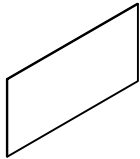
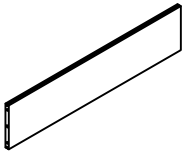

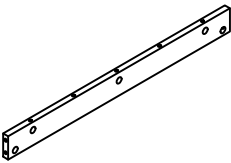
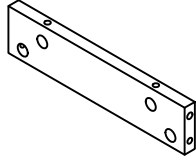
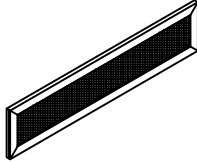
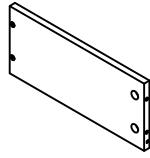
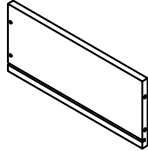
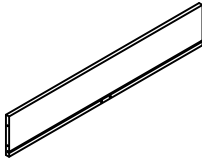
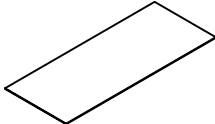
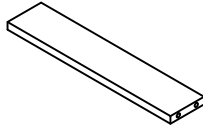
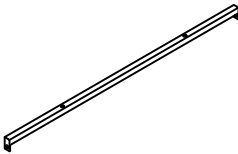

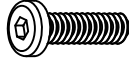
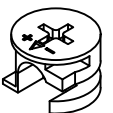
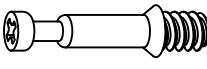






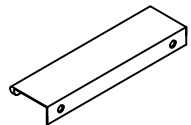

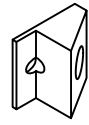


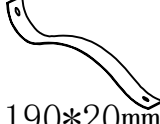
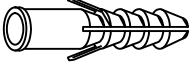
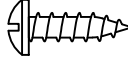
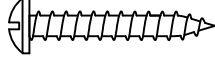
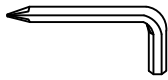

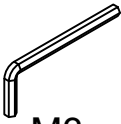
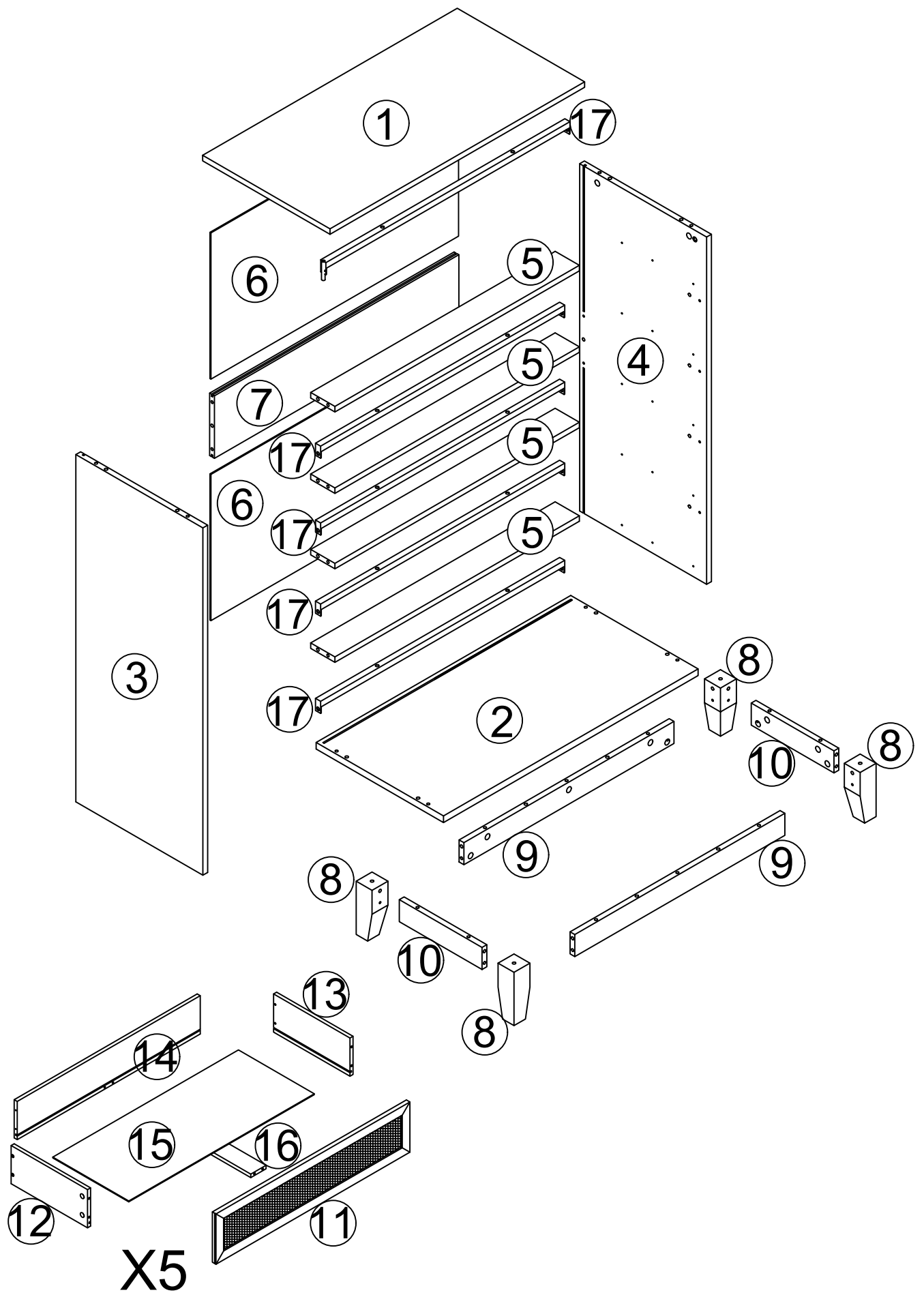


| # | | QTY |
|---|---|-----|
| ① |  | 1 |
| ② |  | 1 |
| ③ |  | 1 |
| ④ |  | 1 |
| ⑤ |  | 4 |
| ⑥ |  | 2 |
| ⑦ |  | 1 |
| ⑧ |  | 4 |
| ⑨ |  | 2 |

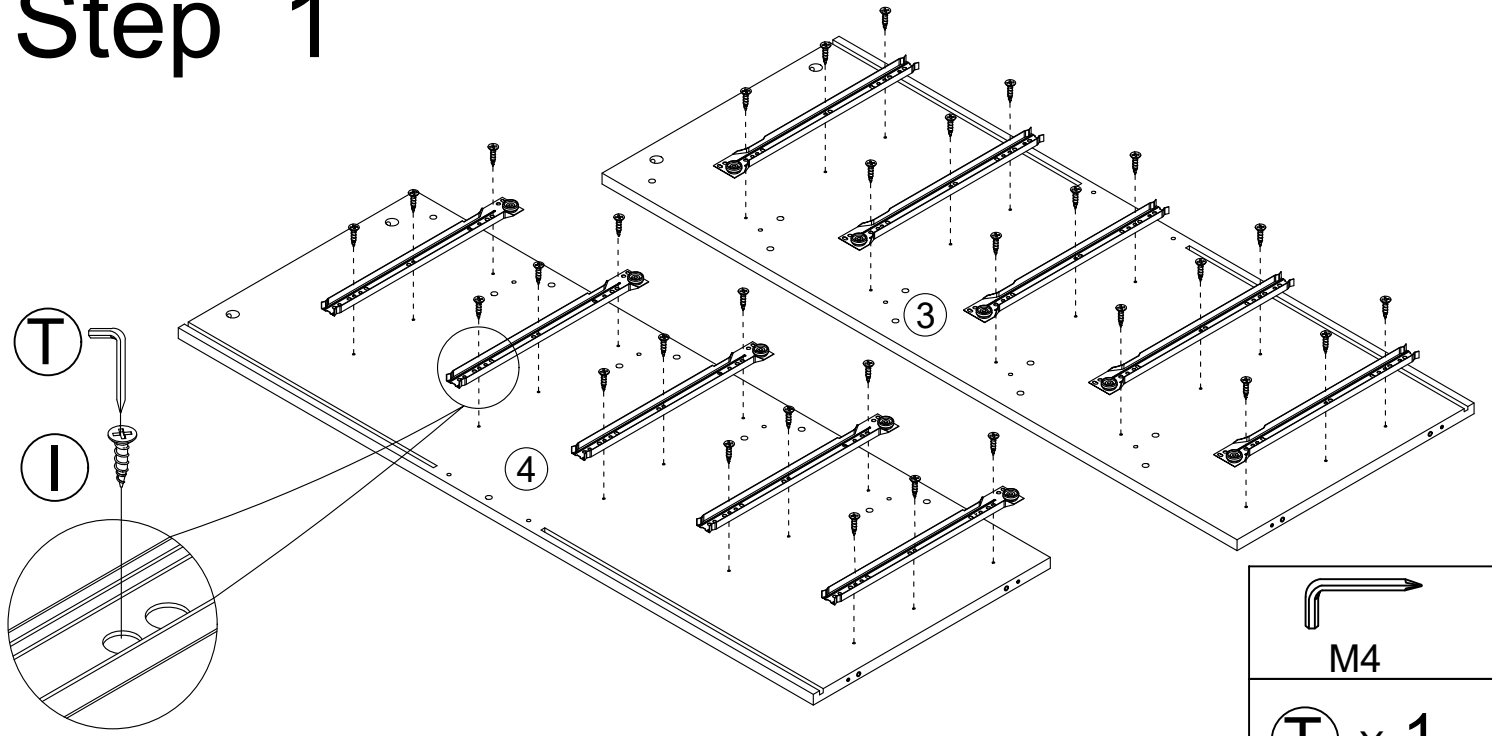
| # | | QTY |
|---|---|-----|
| ⑩ |  | 2 |
| ⑪ |  | 5 |
| ⑫ |  | 5 |
| ⑬ |  | 5 |
| ⑭ |  | 5 |
| ⑮ |  | 5 |
| ⑯ |  | 5 |
| ⑰ |  | 5 |
| | | |

| # | | QTY |
|-----|--|------|
| (A) |  M6*12mm | 10+1 |
| (B) |  M6*25mm | 10+1 |
| (C) |  φ15 x 9mm | 59+2 |
| (D) |  φ6 x 35mm | 59+2 |
| (E) |  φ6 x 30mm | 5 |
| (F) |  φ8 x 30mm | 34+2 |
| (G) |  M5*48mm | 4 |
| (H) |  M4*25mm | 30+2 |
| (I) |  φ3.5 x 12mm | 50+2 |
| (J) |  φ3.5 x 12mm | 10+1 |
| (K) |  | 5 |

| # | | QTY |
|-----|--|------|
| (L) |  L300mm | 5 |
| (M) |  15*15*10mm | 12+1 |
| (N) |  M3*16mm | 12+1 |
| (O) |  M6*18mm | 4 |
| (P) |  190*20mm | 1 |
| (Q) |  φ8 x 40mm | 1 |
| (R) |  M4*15mm | 1 |
| (S) |  M4*38mm | 1 |
| (T) |  M4 | 1 |
| (U) |  Ø30mm | 59+2 |
| (V) |  M3 | 1 |

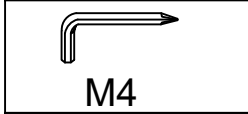


Step 1



T

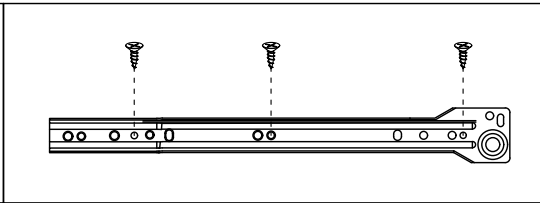
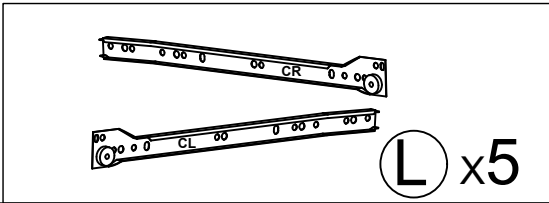
I



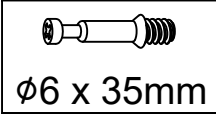
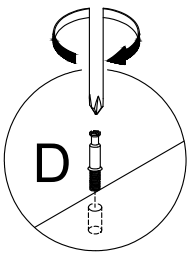
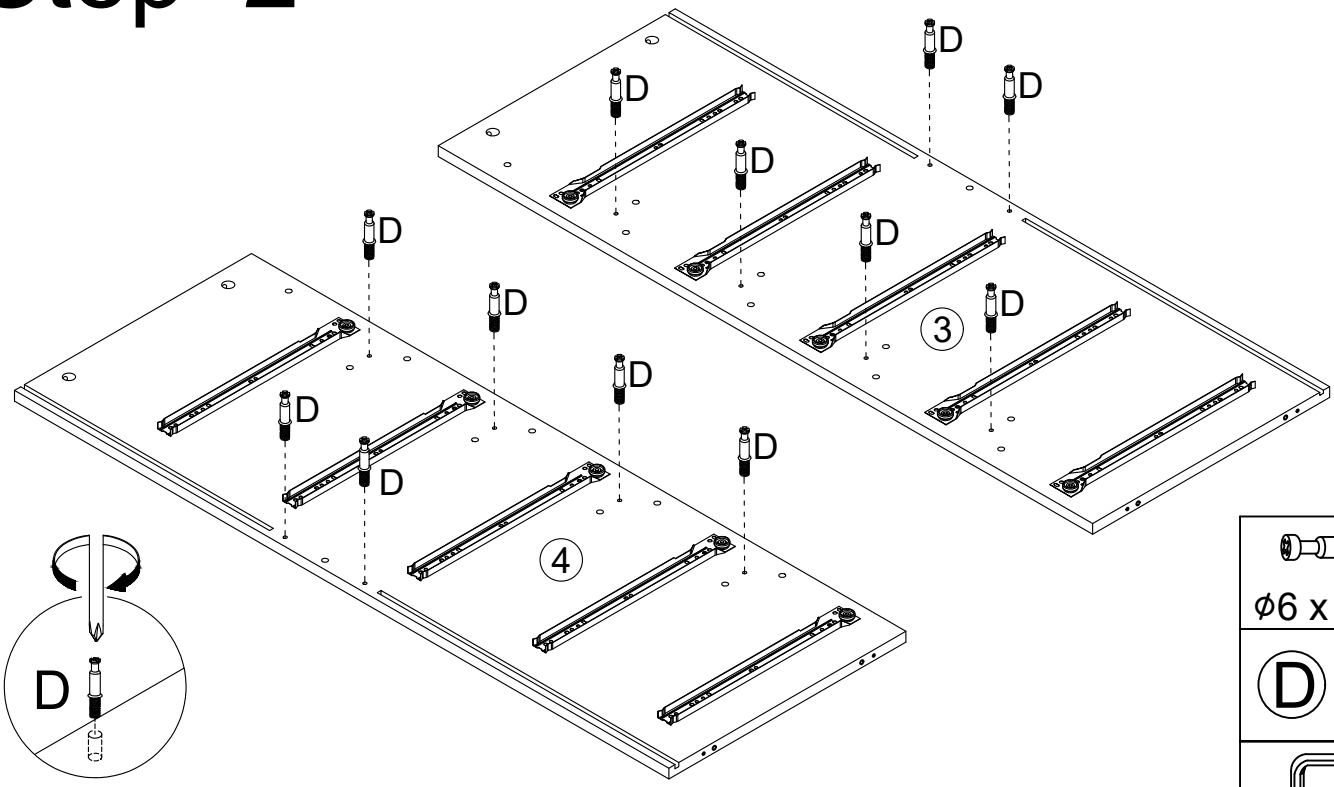
T x 1



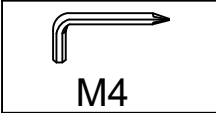
I x 30



Step 2

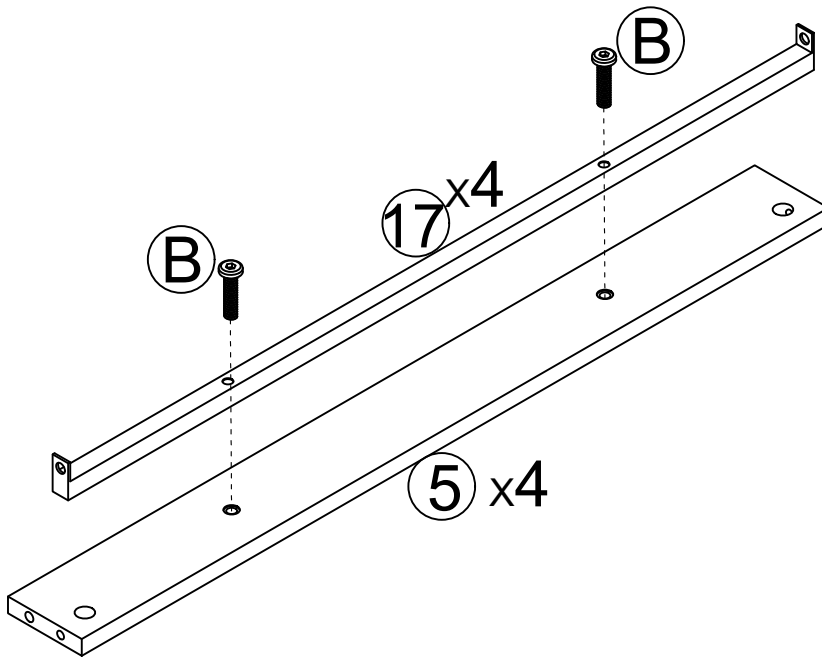


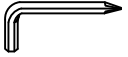

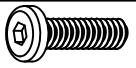

D x 12



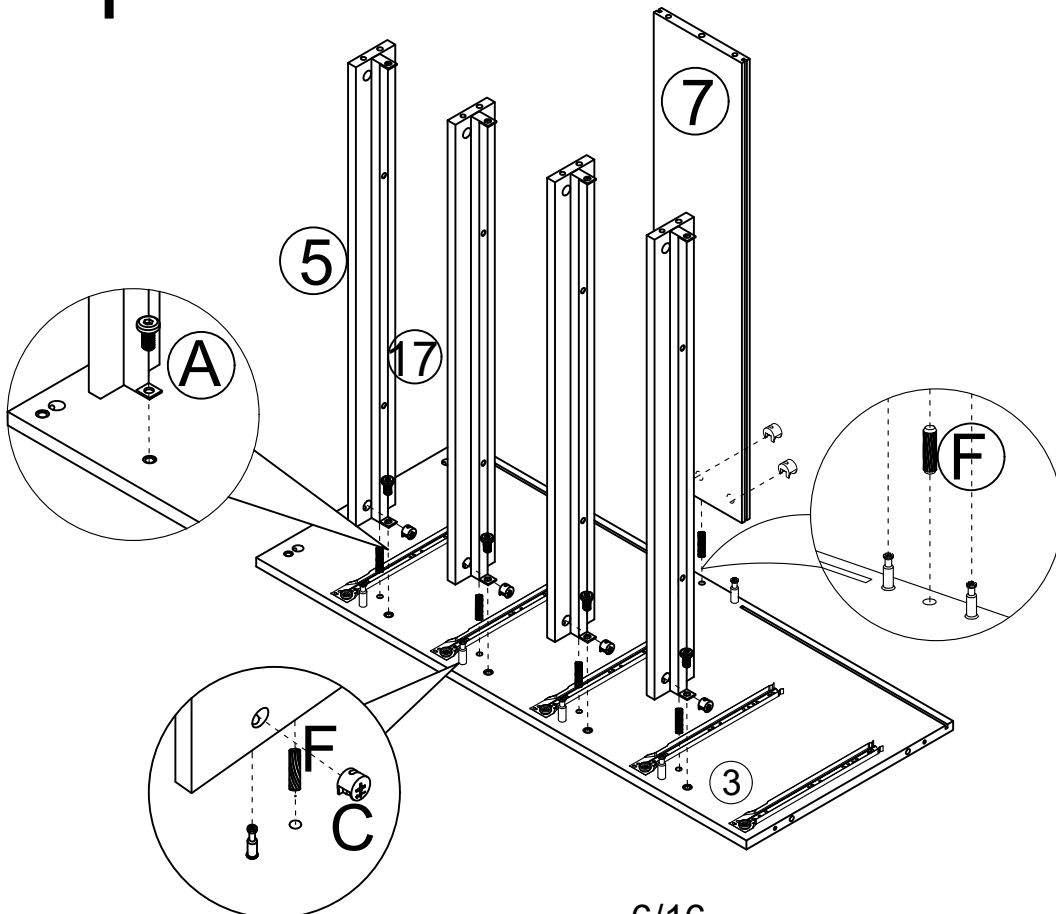
T







Step 3



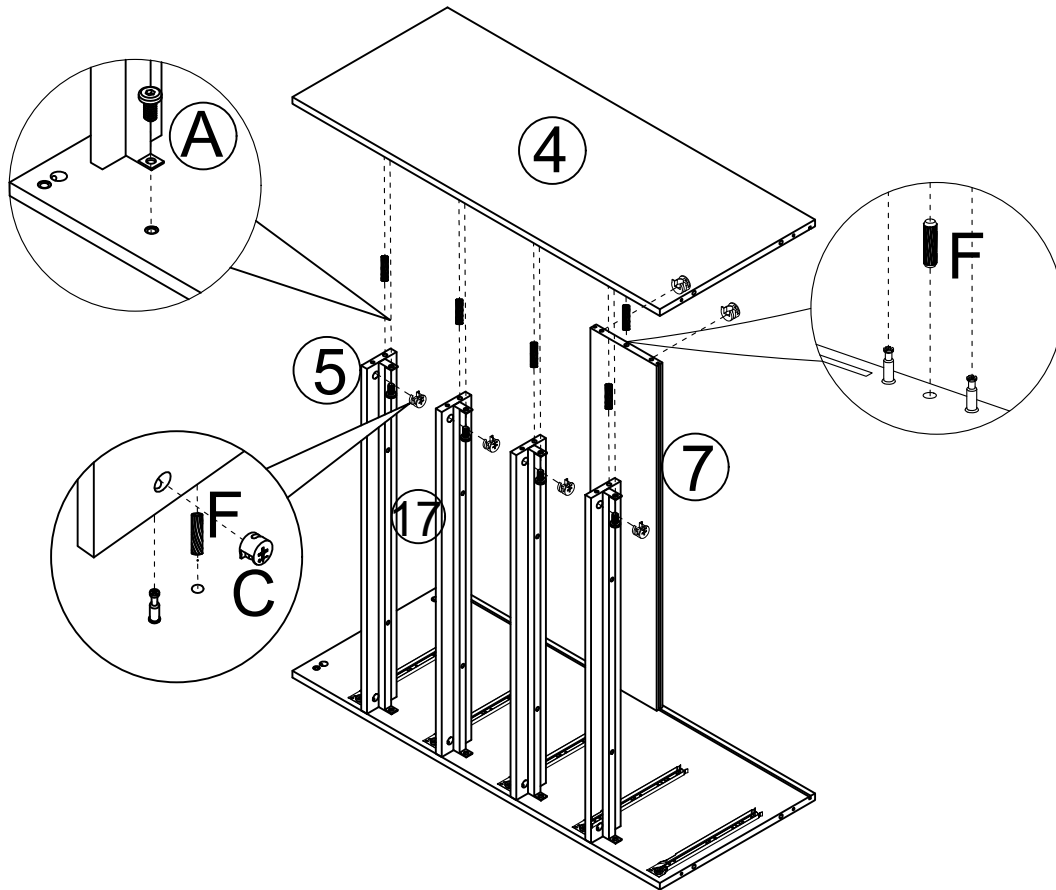
| |
|---|
|  |
| M4 |
|  |
|  |
| M6*25mm |
|  |
| x 8 |







Step 4



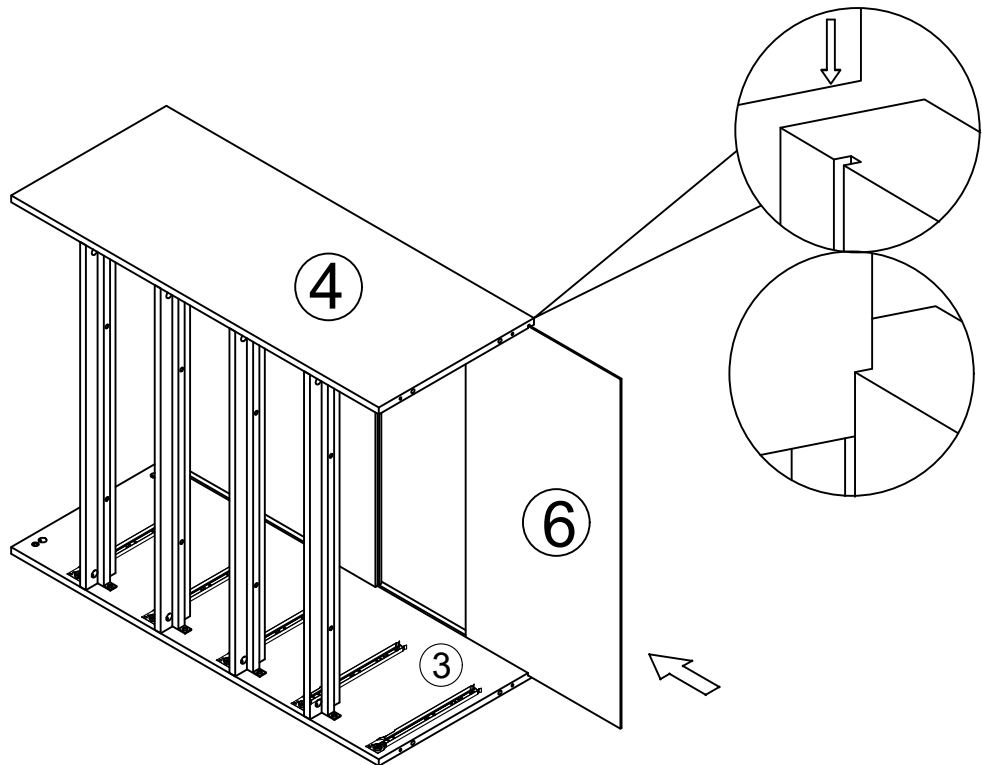
| |
|---|
|  |
| ø15 x 9mm |
|  |
| x 6 |
|  |
| ø8 x 30mm |
|  |
| x 5 |
|  |
| M6*12mm |
|  |
| x 4 |

Step 5

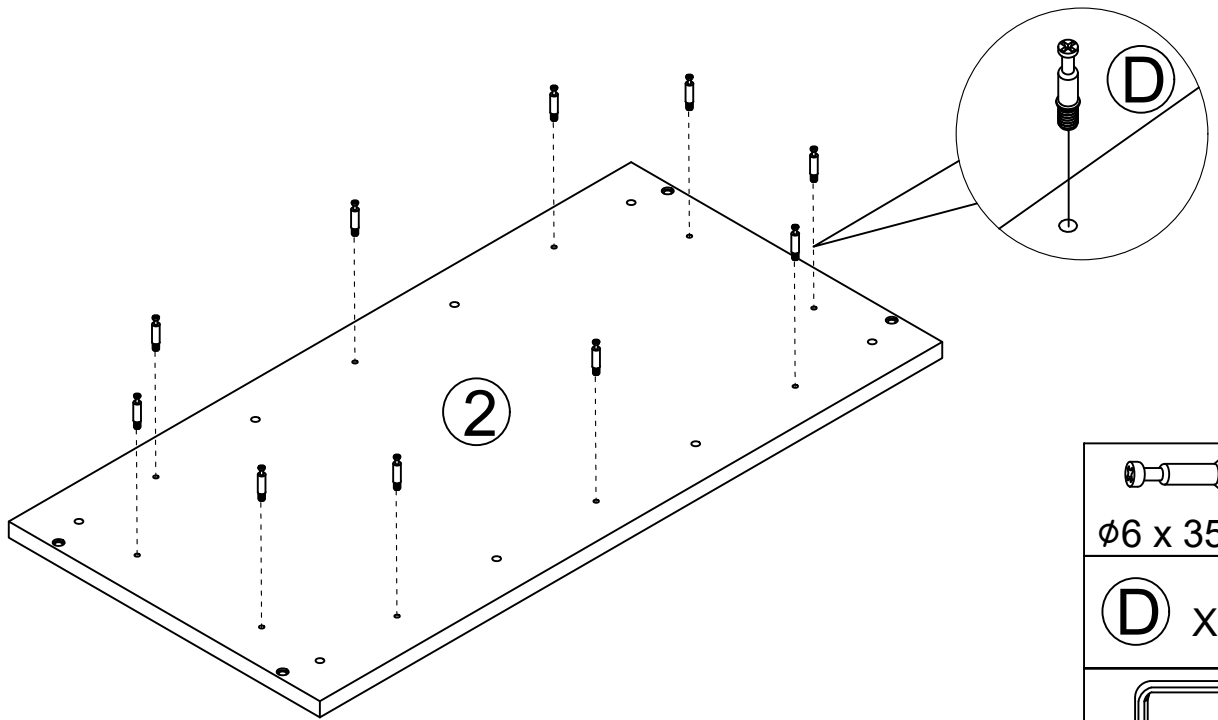


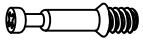

| |
|--|
|  φ15 x 9mm |
|  C x 6 |
|  φ8 x 30mm |
|  F x 5 |
|  M6*12mm |
|  A x 4 |

Step 6

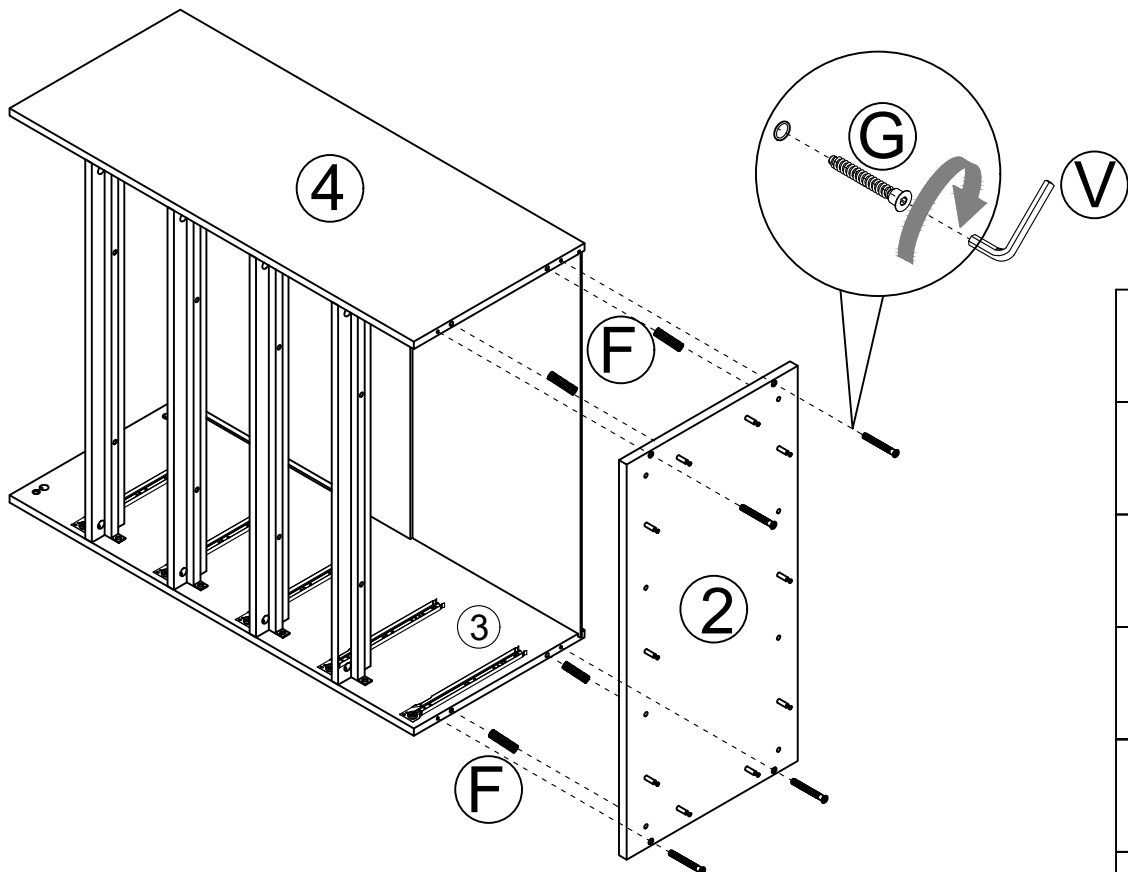




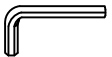
Step 7



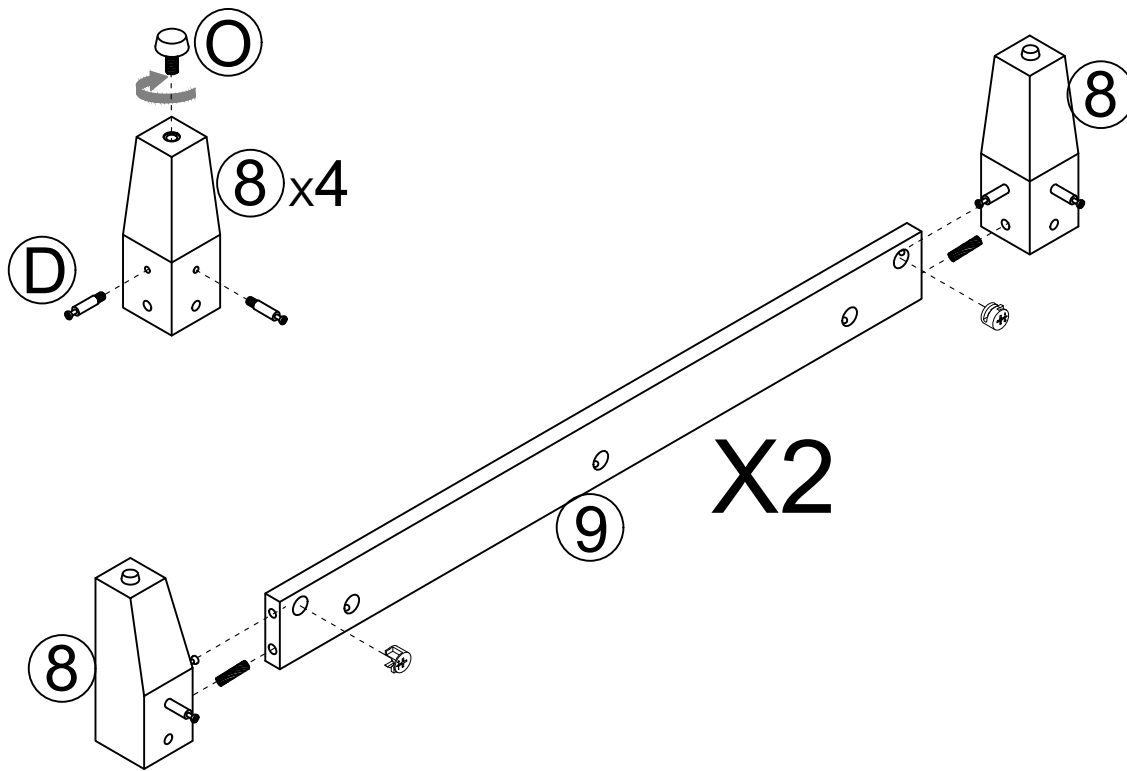
| |
|---|
|  |
| $\phi 6 \times 35\text{mm}$ |
| (D) x10 |
|  |
| M4 |
| (T) |





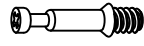



Step 8



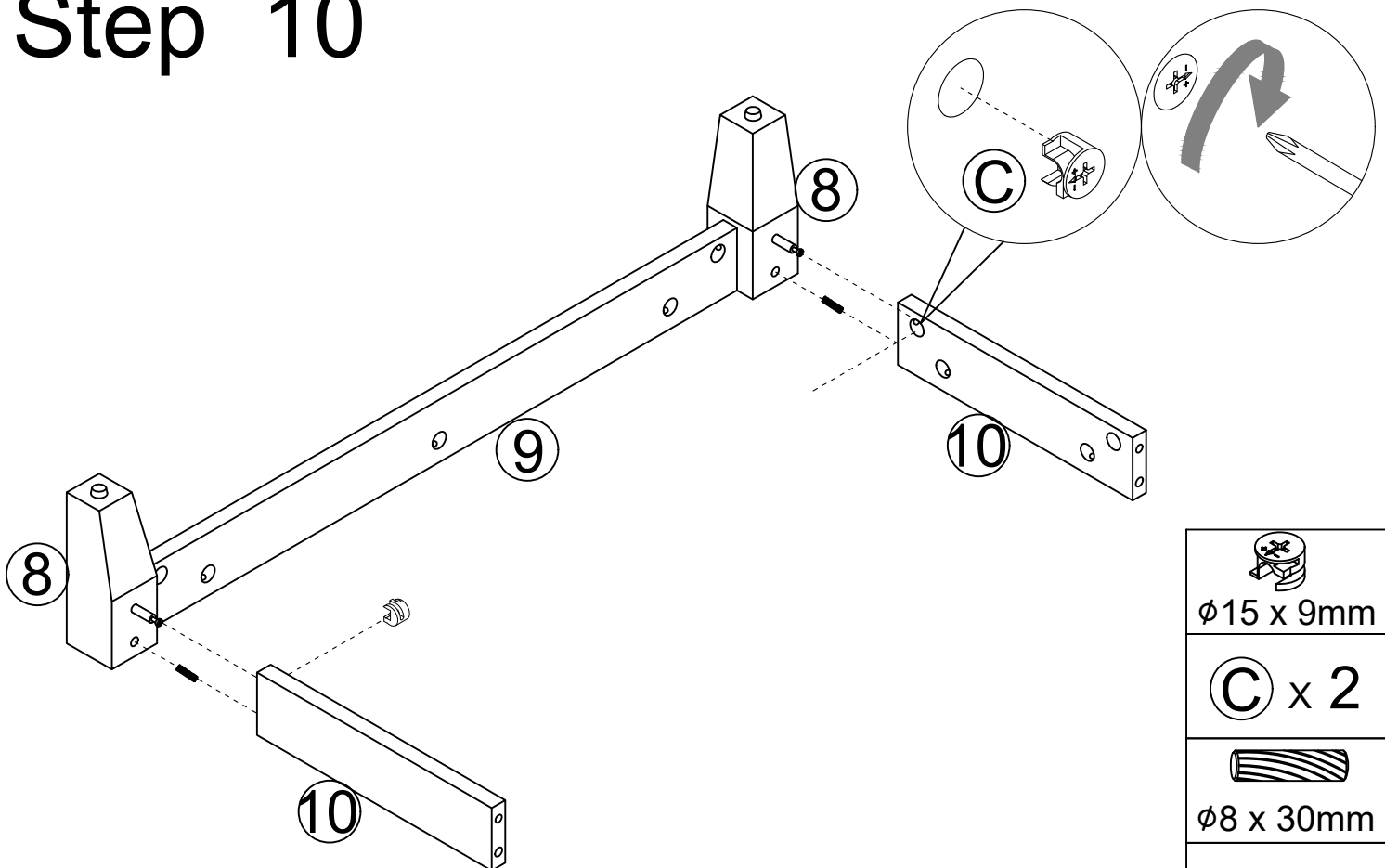
| |
|---|
|  |
| M5*48mm |
| (G) x 4 |
|  |
| $\phi 8 \times 30\text{mm}$ |
| (F) x 4 |
|  |
| M3 |
| (V) x 1 |





Step 9



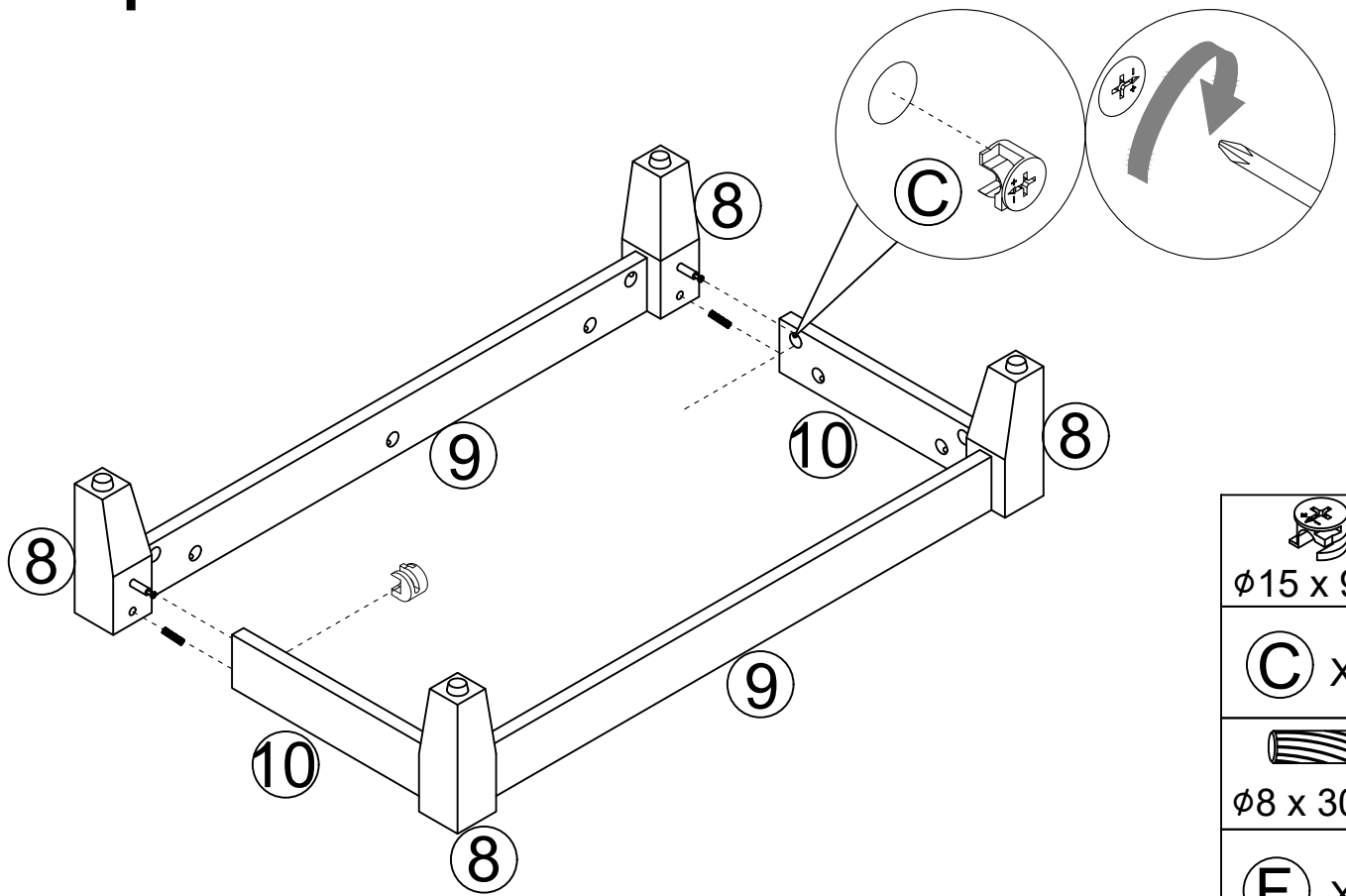
| | |
|---|-----------------------------|
|  | $\phi 8 \times 30\text{mm}$ |
|  | F x 4 |
|  | M6*18mm |
|  | O x4 |
|  | $\phi 6 \times 35\text{mm}$ |
|  | D x8 |
|  | $\phi 15 \times 9\text{mm}$ |
|  | C x 4 |



Step 10



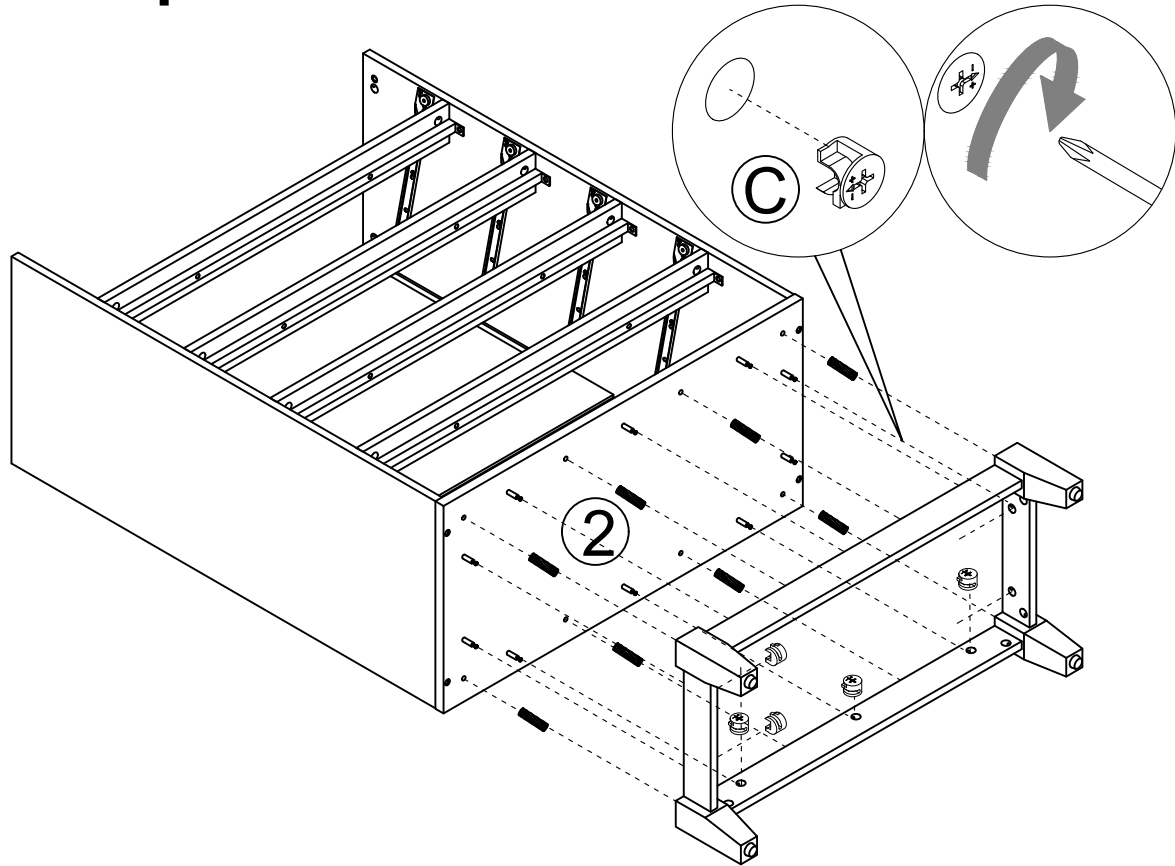
| | |
|---|-----------------------------|
|  | $\phi 15 \times 9\text{mm}$ |
|  | C x 2 |
|  | $\phi 8 \times 30\text{mm}$ |
|  | F x 2 |



Step 11



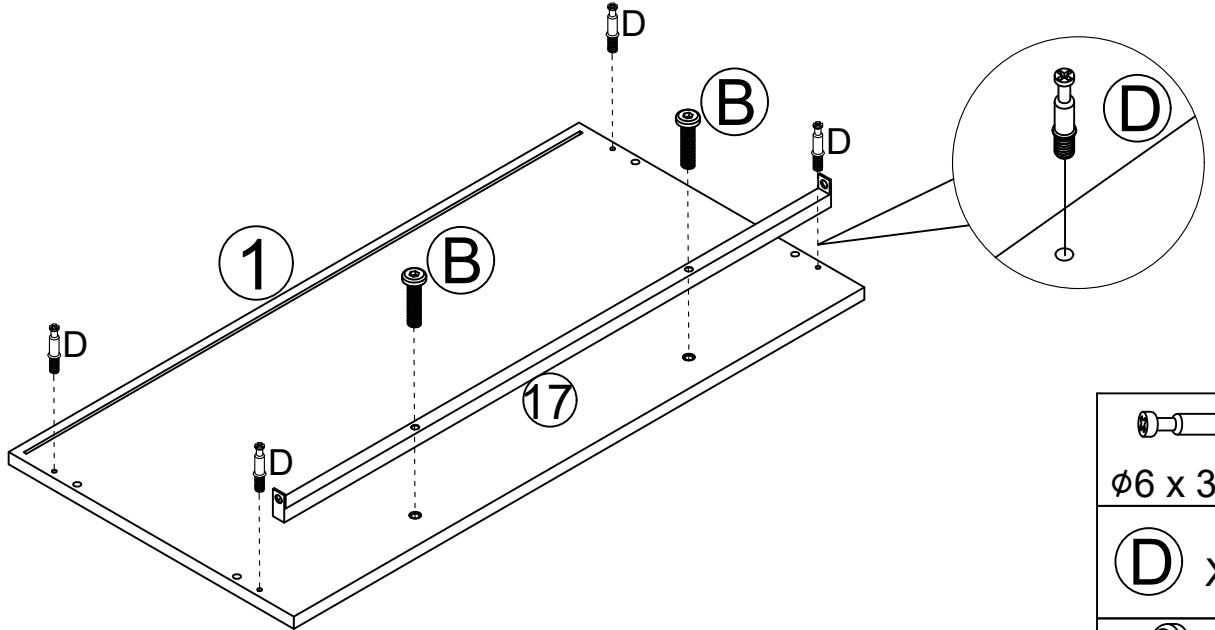
-  $\phi 15 \times 9\text{mm}$
- C** x 2
-  $\phi 8 \times 30\text{mm}$
- F** x 2

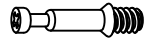

Step 12



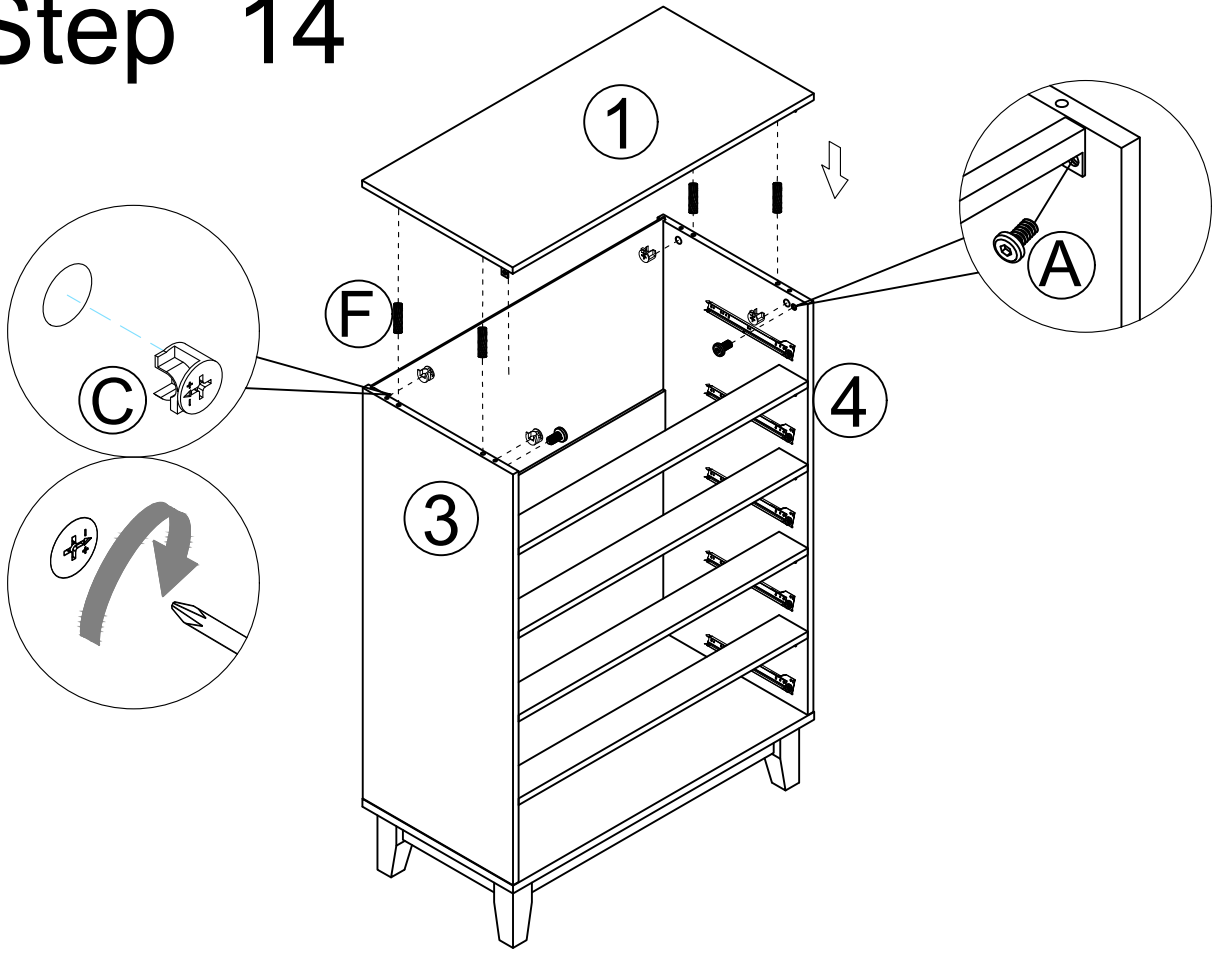
-  $\phi 15 \times 9\text{mm}$
- C** x 10
-  $\phi 8 \times 30\text{mm}$
- F** x 8




Step 13



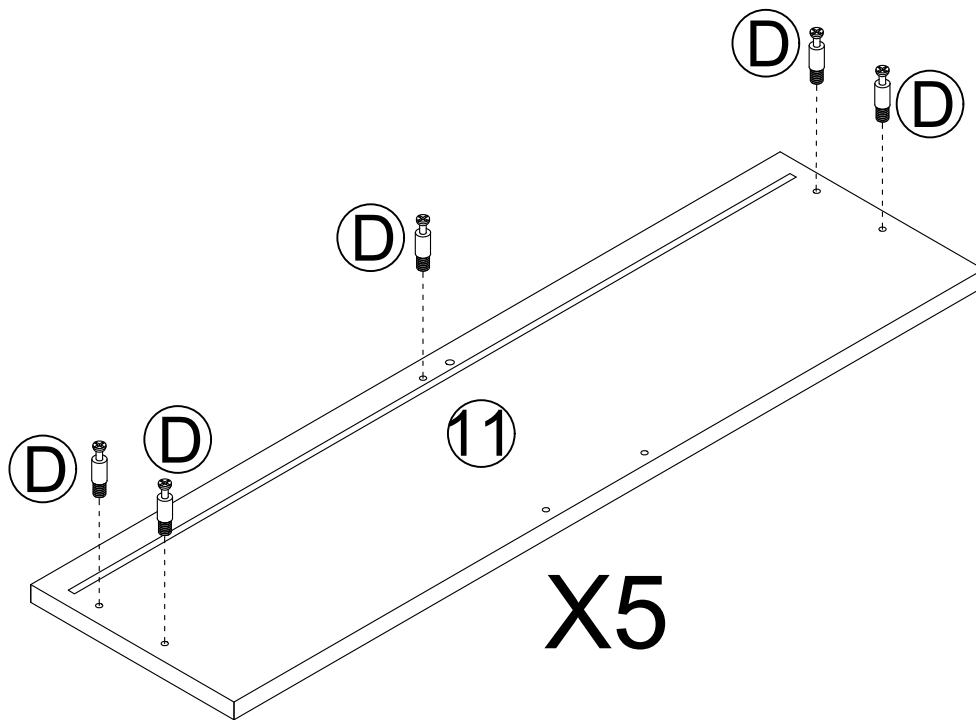
| |
|---|
|  |
| φ6 x 35mm |
| D x 4 |
|  |
| M6*25mm |
| B x 2 |

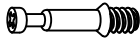
Step 14



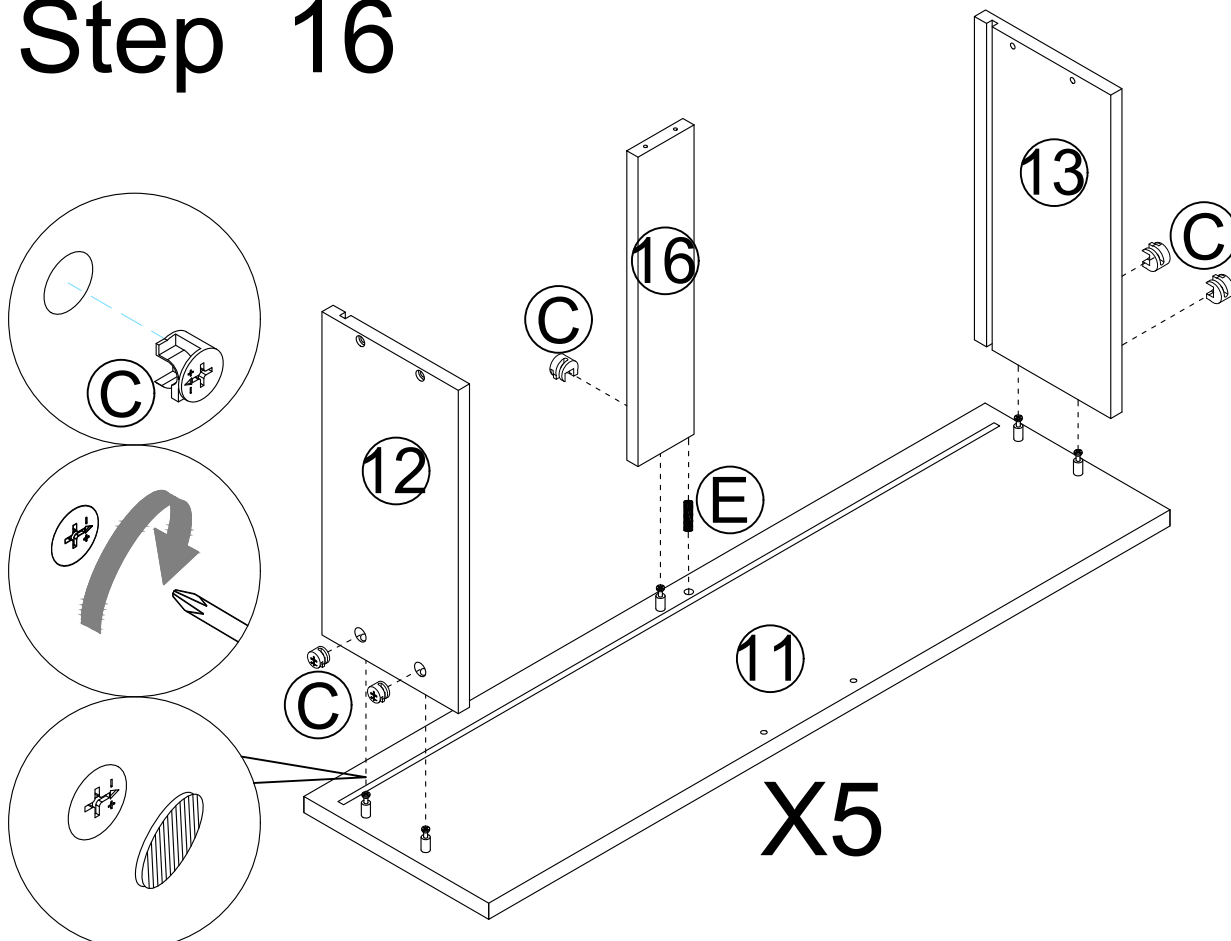
| |
|---|
|  |
| φ15 x 9mm |
| C x 4 |
|  |
| φ8 x 30mm |
| F x 4 |
|  |
| M6*12mm |
| A x 2 |




Step 15



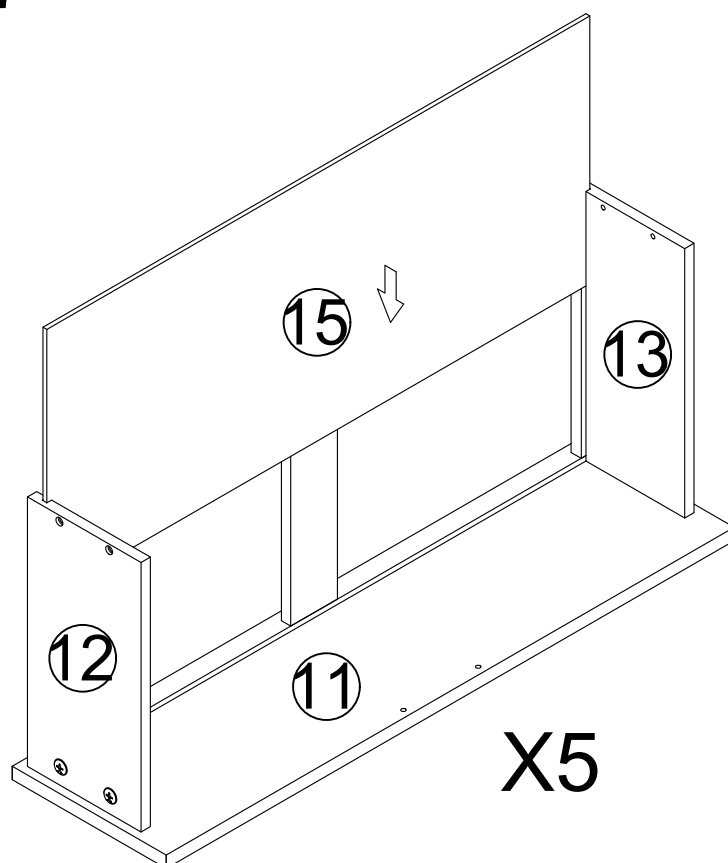
| |
|---|
|  |
| Ø6 x 35mm |
| D x25 |

Step 16

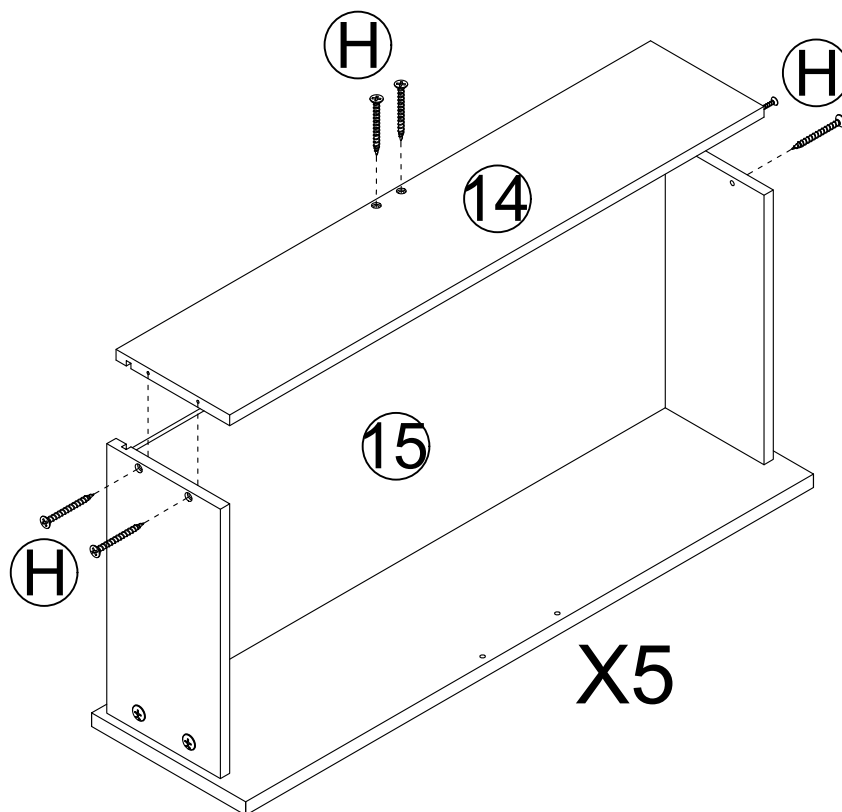


| |
|---|
|  |
| Ø30mm |
| U x59 |
|  |
| Ø15 x 9mm |
| C x 25 |
|  |
| Ø6 x 30mm |
| E x 5 |

Step 17



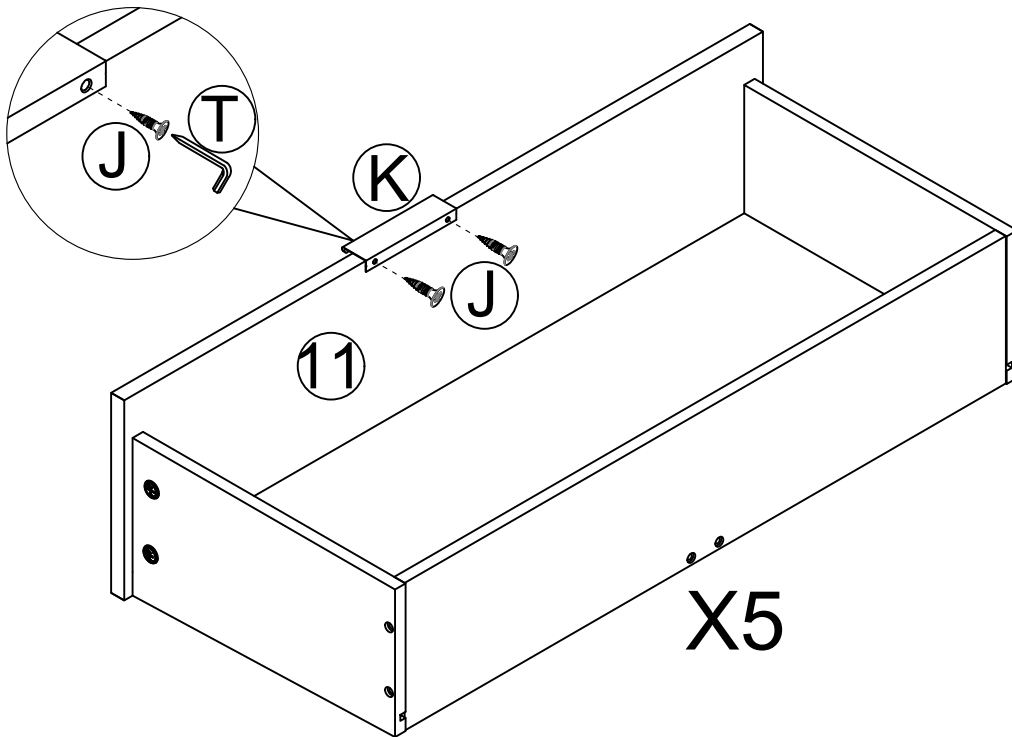
Step 18



M4*25mm

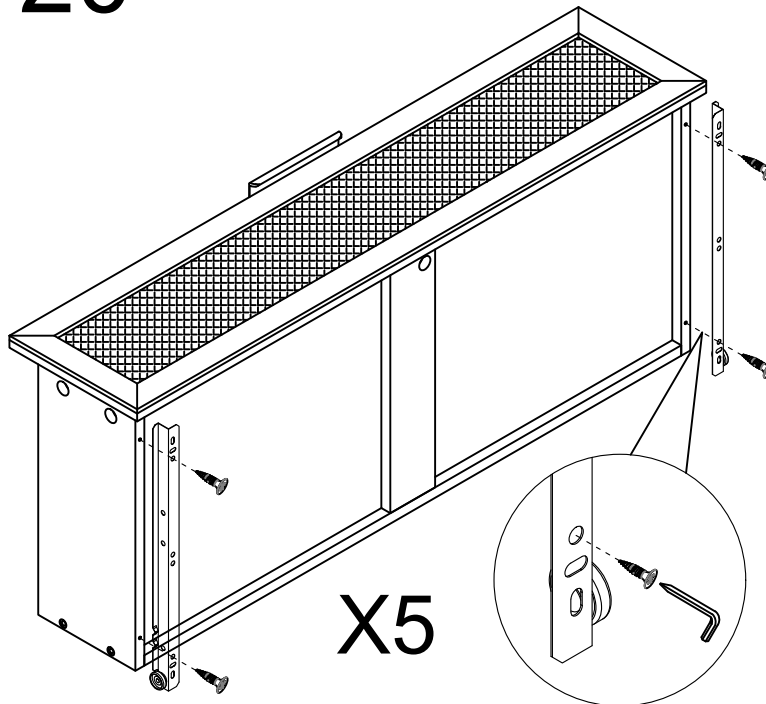
(H) x30

Step 19



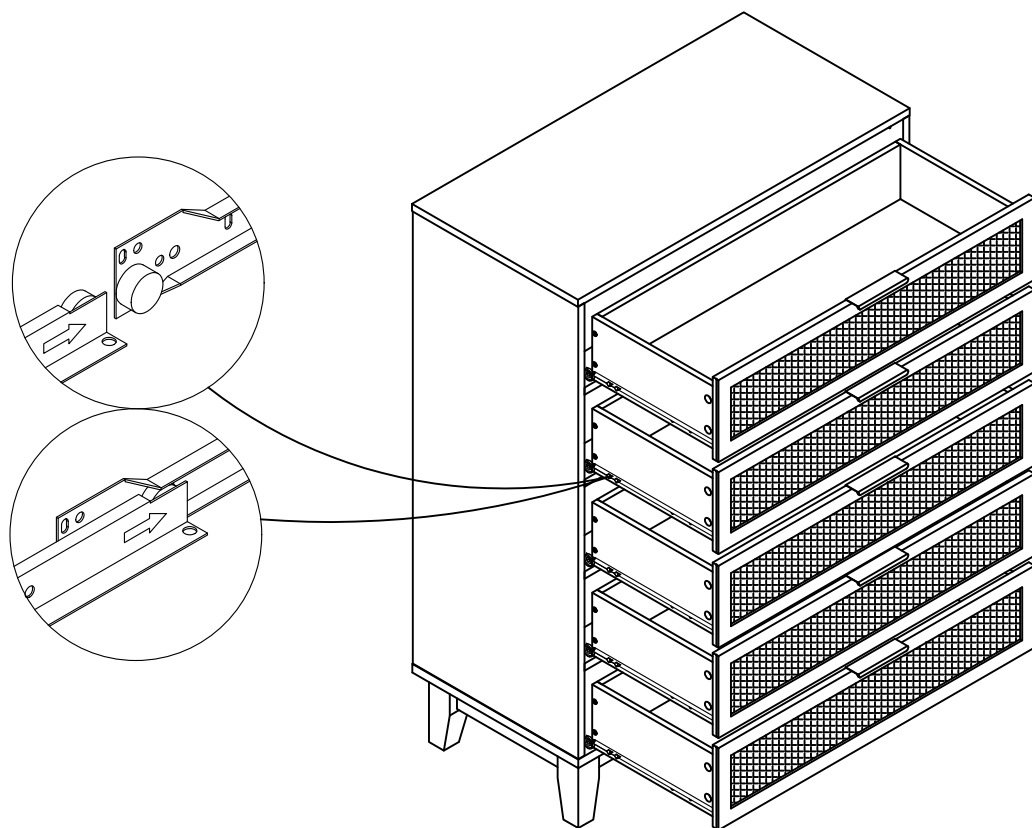
| |
|----------------|
| |
| K x5 |
| ø3.5 x12mm |
| J x10 |
| M4 |
| T |

Step 20

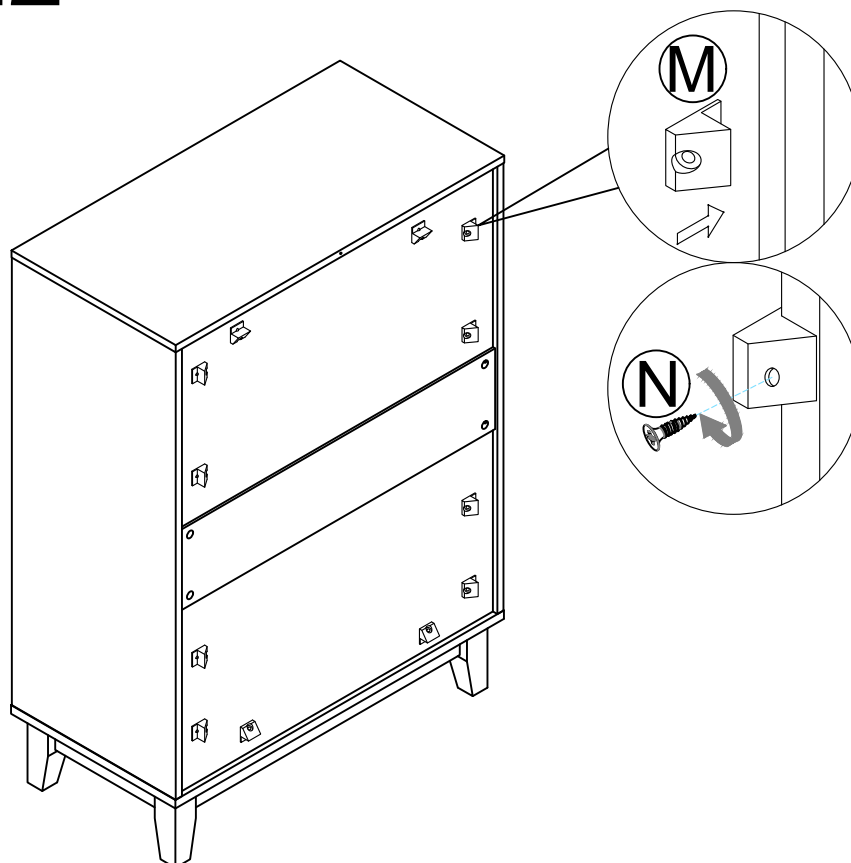



| |
|----------------|
| |
| L x5 |
| ø3.5 x12mm |
| I x20 |
| M4 |
| T |

Step 21



Step 22



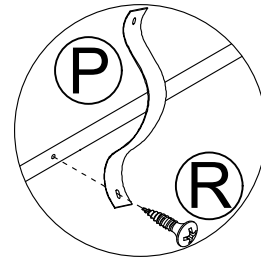
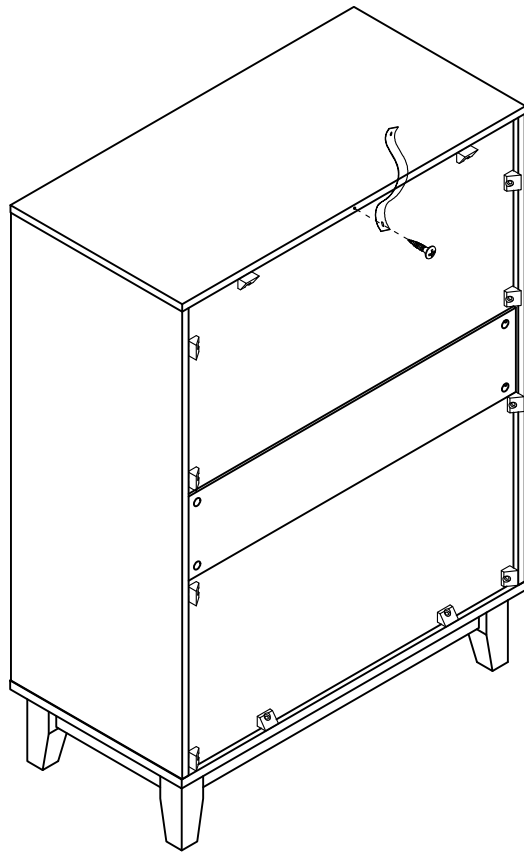

15*15*10mm

M x12


M3*16mm

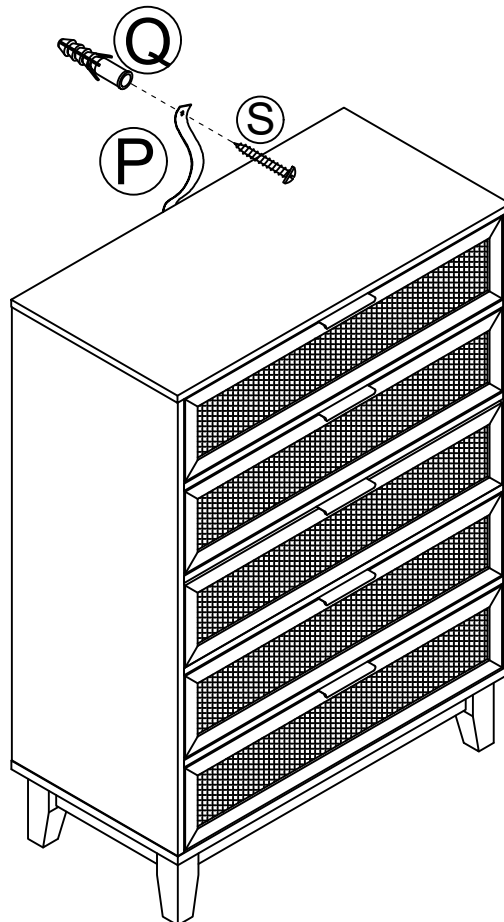
N x12

Step 23



| |
|---------------|
| |
| 190*20mm |
| (P) x1 |
| |
| ∅8 x 40mm |
| (Q) x1 |
| |
| M4*15mm |
| (R) x1 |
| |
| M4*38mm |
| (S) x1 |

Step 24



| |
|------------|
| |
| |
| |
| (Q) |
| |