

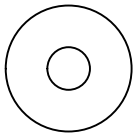
(H1) x 6 (M6x60)
countersunk hex head
wood screws



(H2) x 1
Hexagon buckle



(H3) x 6
plastic switch



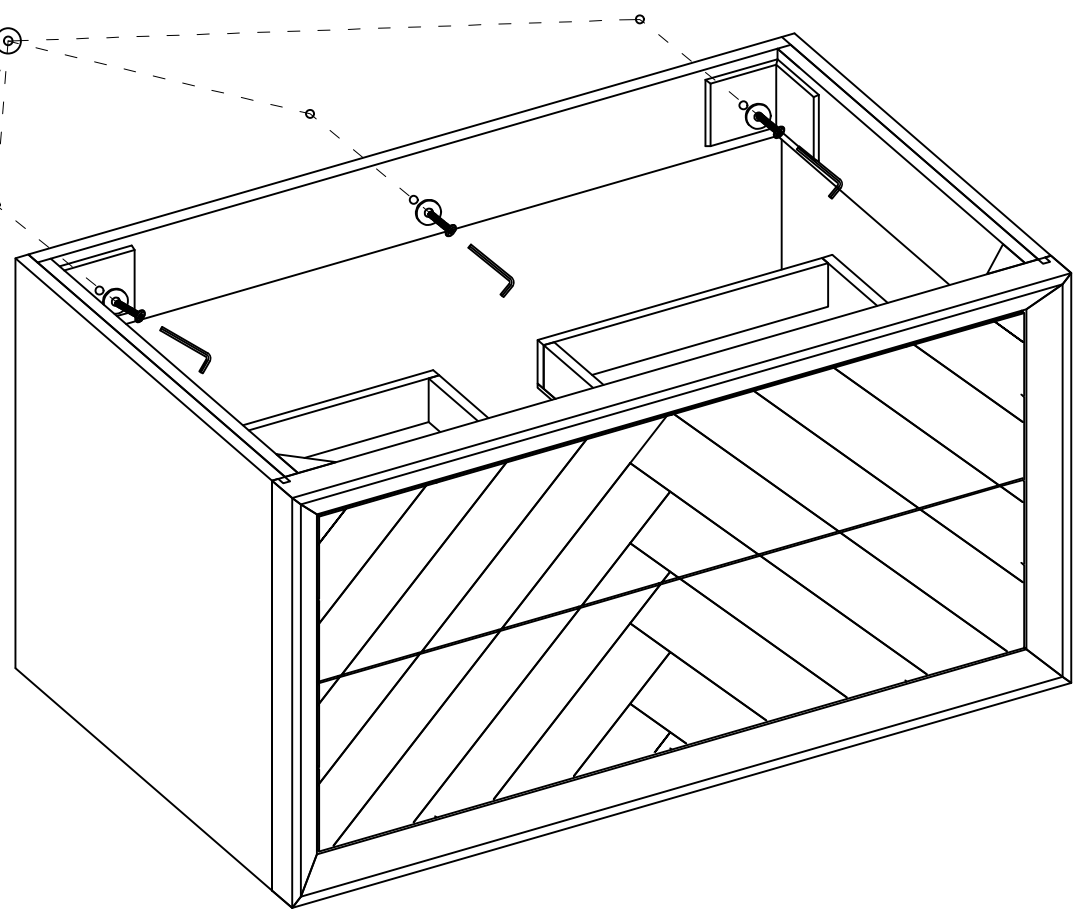
(H4) x 6
plastic switch

H2 (1PCS)

H1 (6PCS)

H4 (6PCS)

H3 (6PCS)



Assembly instructions