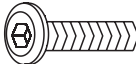
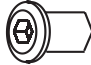
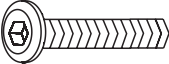


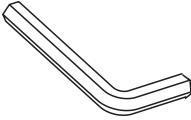
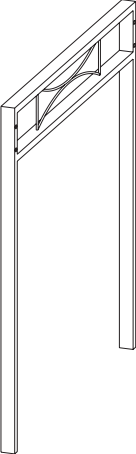

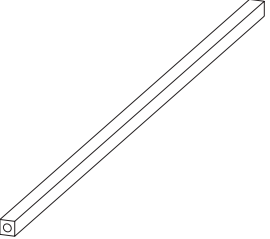
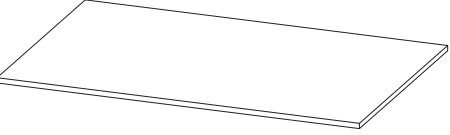
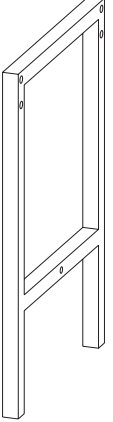
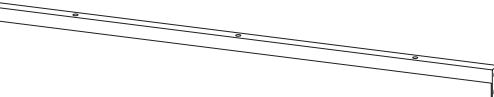

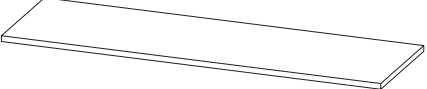
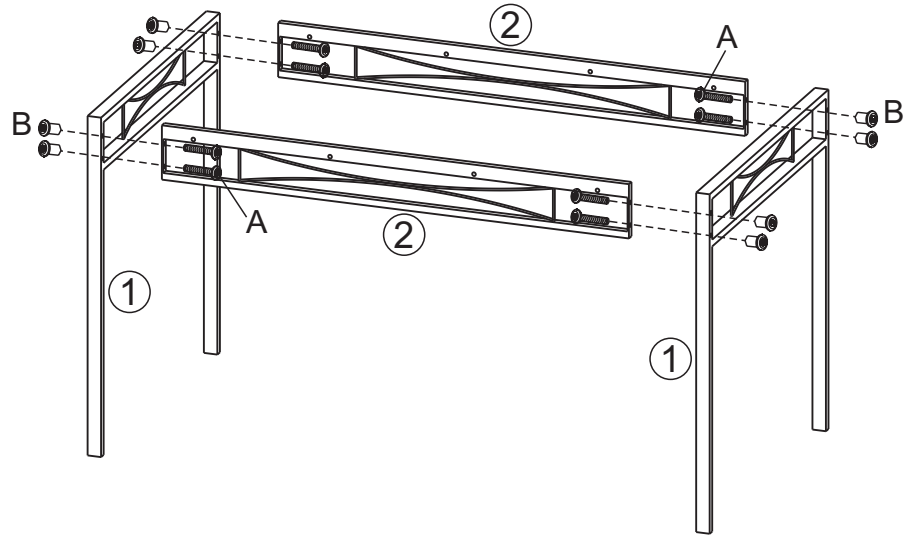


<p>A</p>  <p>M6x30mm 16pcs</p>	<p>B</p>  <p>M6 8pcs</p>	<p>C</p>  <p>M6x35mm 12pcs</p>	<p>D</p>  <p>M6x10mm 8pcs</p>	<p>E</p>  <p>ST4x30mm 12pcs</p>	 <p>1pcs</p>
--	--	---	---	---	---

<p>①</p>  <p>2pcs</p>	<p>②</p>  <p>2pcs</p>	<p>③</p>  <p>4pcs</p>	<p>④</p>  <p>1pcs</p>
<p>⑤</p>  <p>4pcs</p>	<p>⑥</p>  <p>4pcs</p>	<p>⑦</p>  <p>2pcs</p>	<p>⑧</p>  <p>2pcs</p>

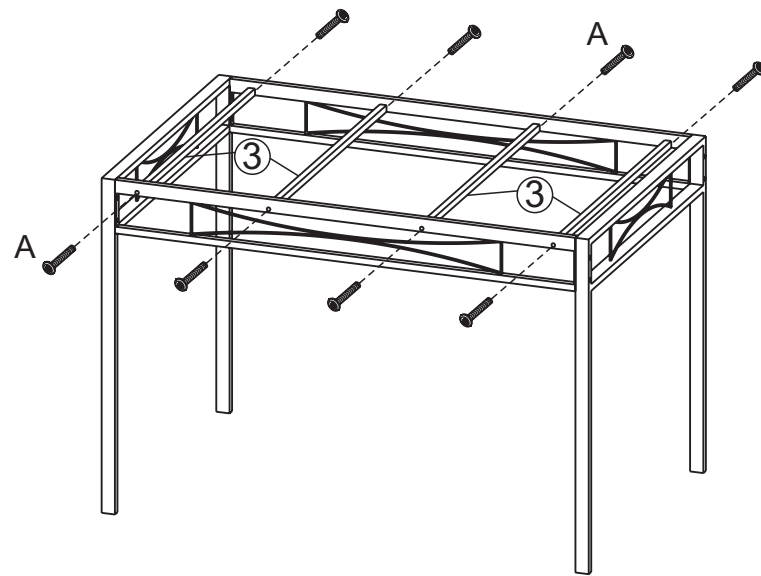
1



Ax8 

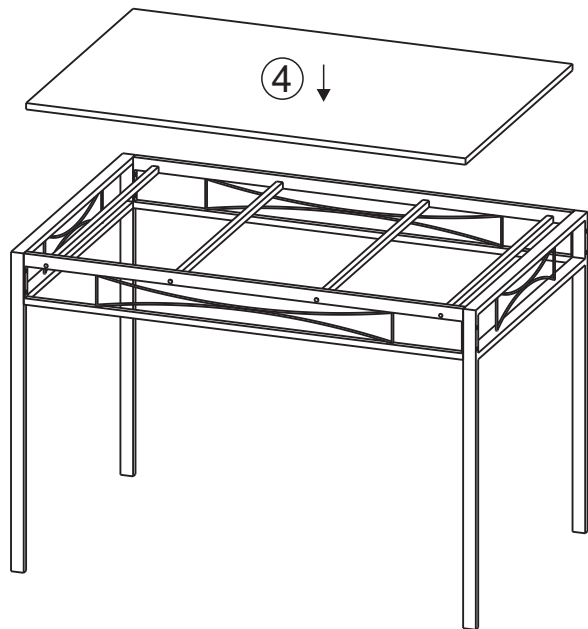
Bx8 

2

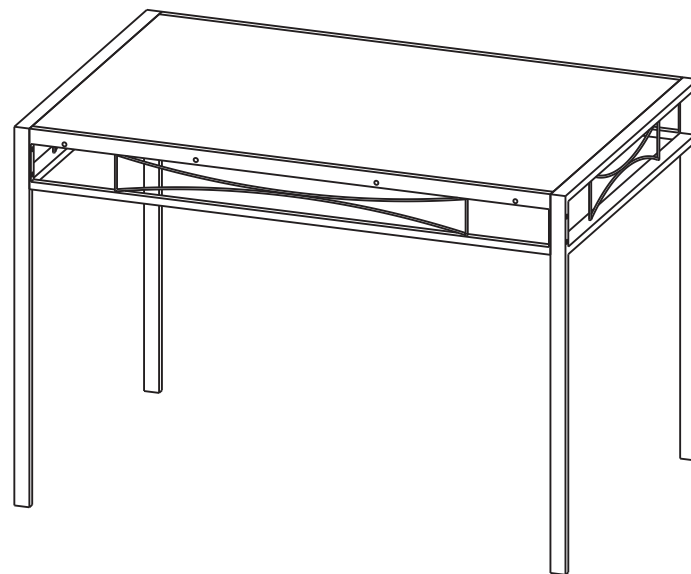


Ax8 

3



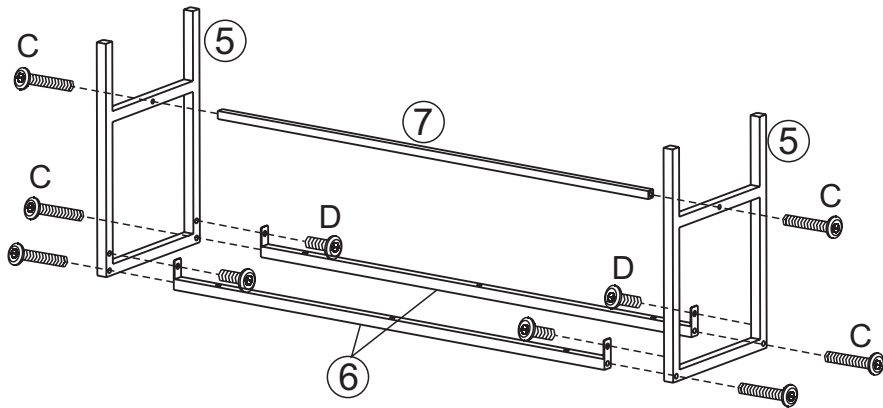
4



5

Cx12 

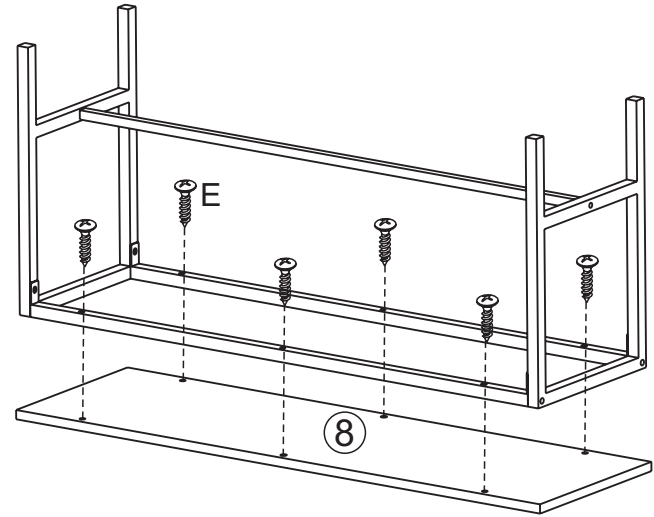
Dx8 



X2

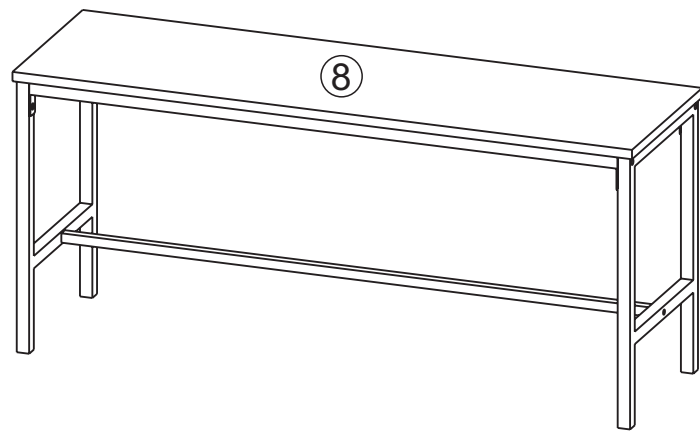
6

Ex12 



X2

7



X2

8

