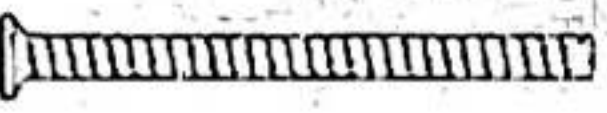





# ASSEMBLY INSTRUCTIONS

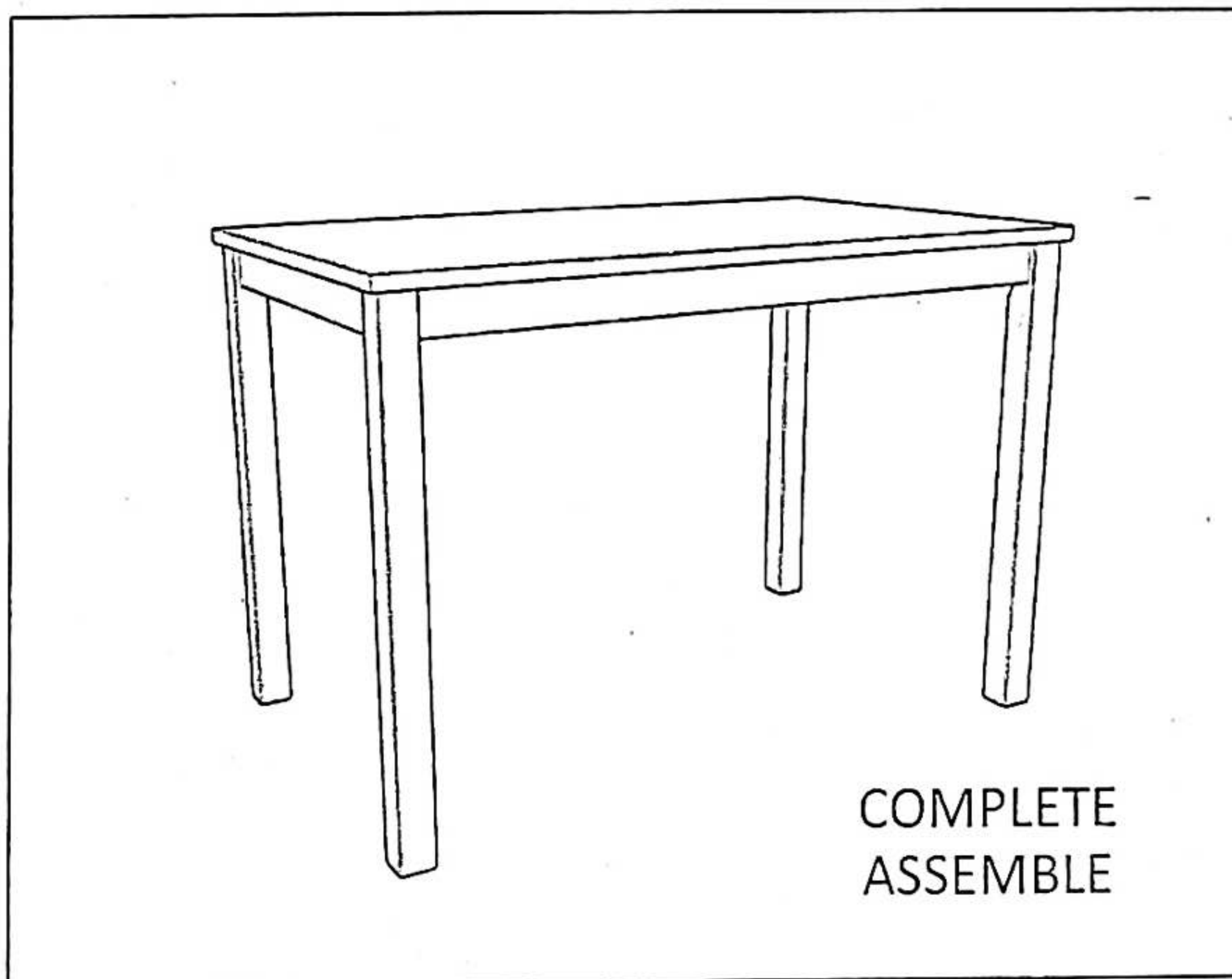
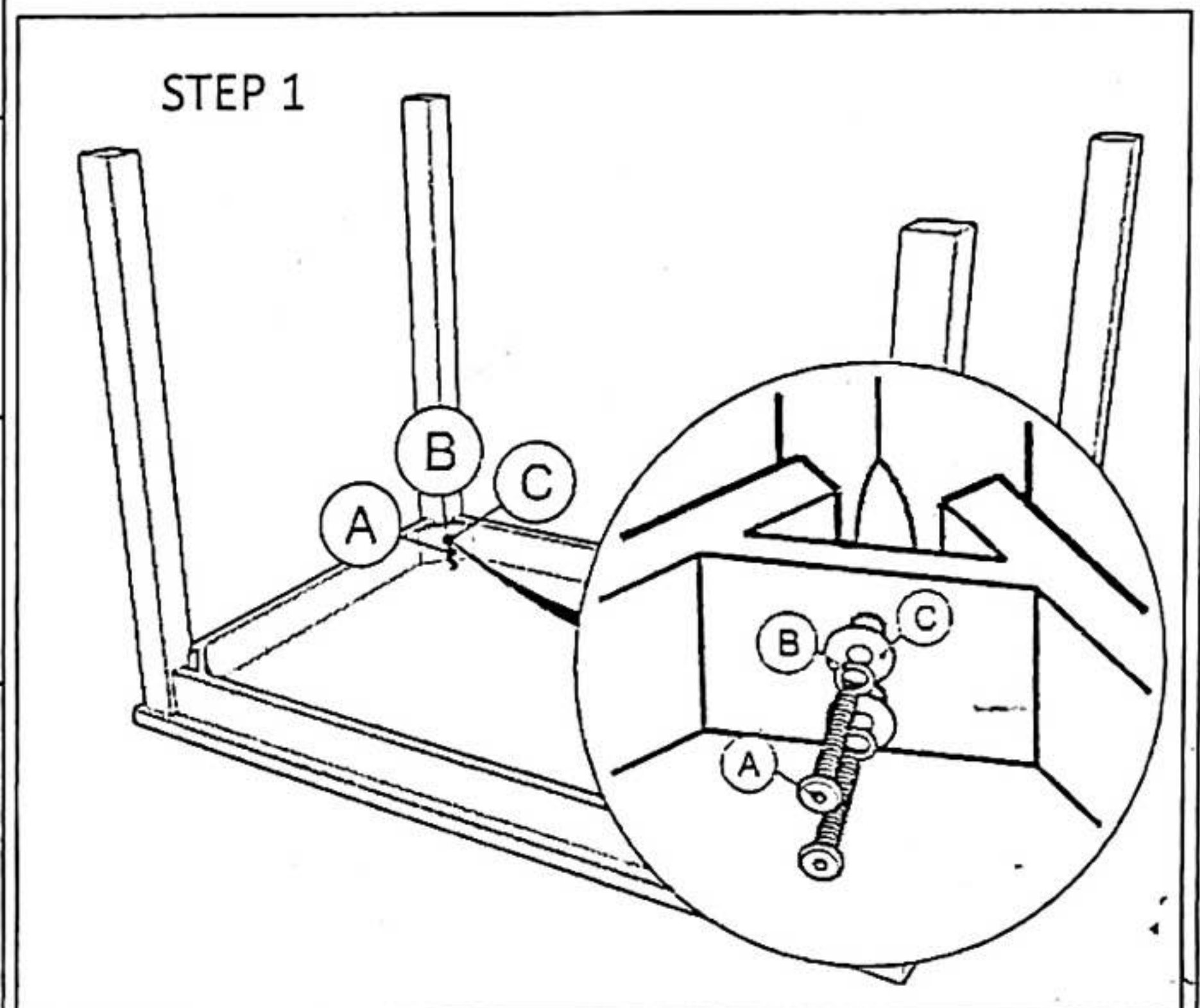
## MODEL : DT 2006 R

Thanks you for purchasing this quality product. Be sure to check all packing material carefully for small parts which may have come loose inside the carton during the shipment. Count all parts and metal hardware, compare all parts list below to be sure all parts are present.

**NOTE : HARDWARE AND QUANTITY SHOW BELOW ARE FOR 1 UNIT ASSEMBLY.**

HARDWARE LIST		
NO	DESCRIPTION	QTY
A.	 JCBC M8 x 60	8 PCS
B	 M8 SPRING WASHER	8 PCS
C.	 M8 FLAT WASHER	8 PCS
D	 ALLEN KEY	1 PCS

PART LIST		
NO	DESCRIPTION	QTY
1.	TABLE TOP	1 PCS
2	TABLE LEG	4 PCS

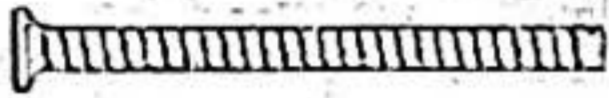


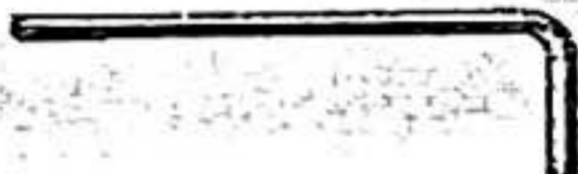


# ASSEMBLY INSTRUCTIONS

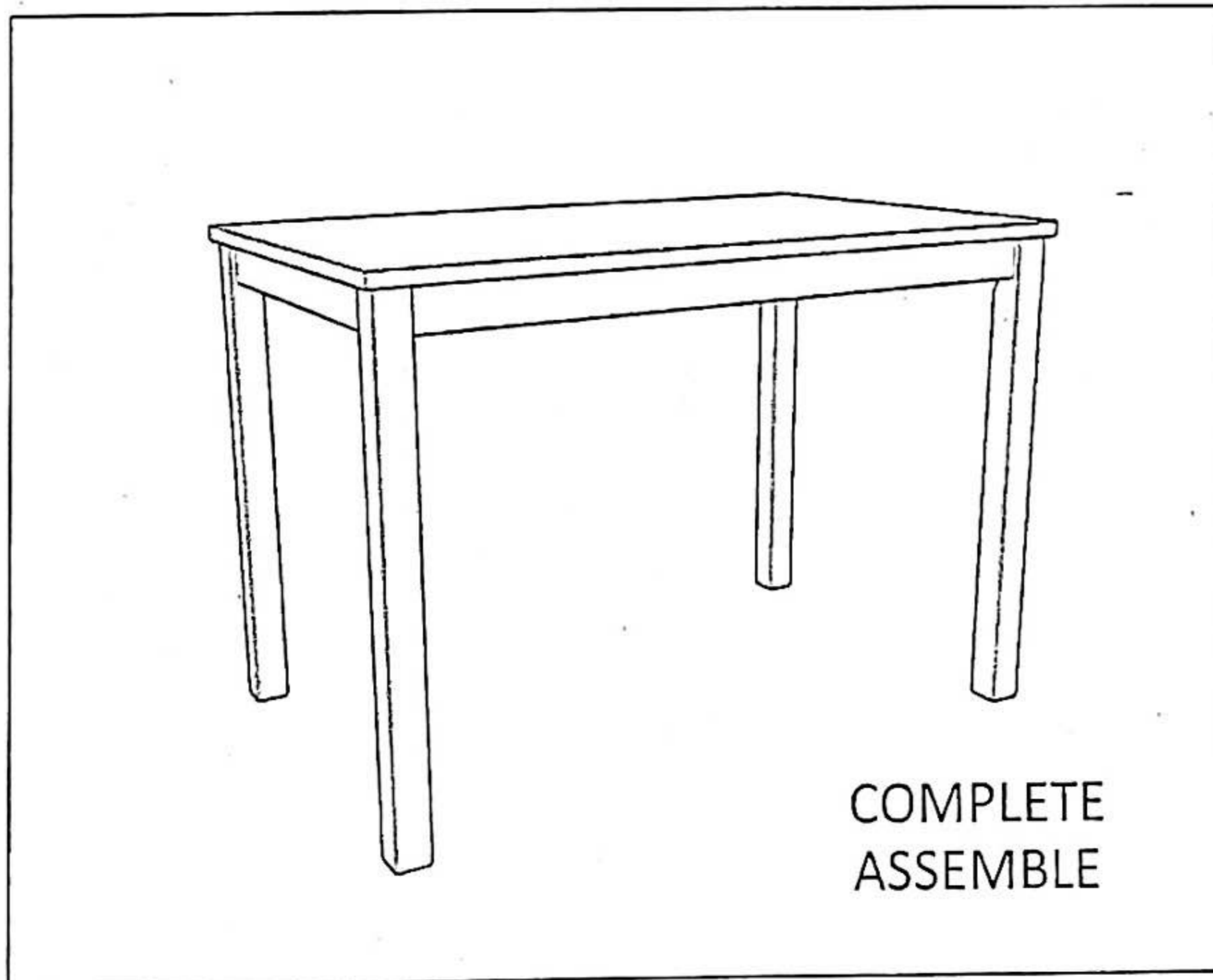
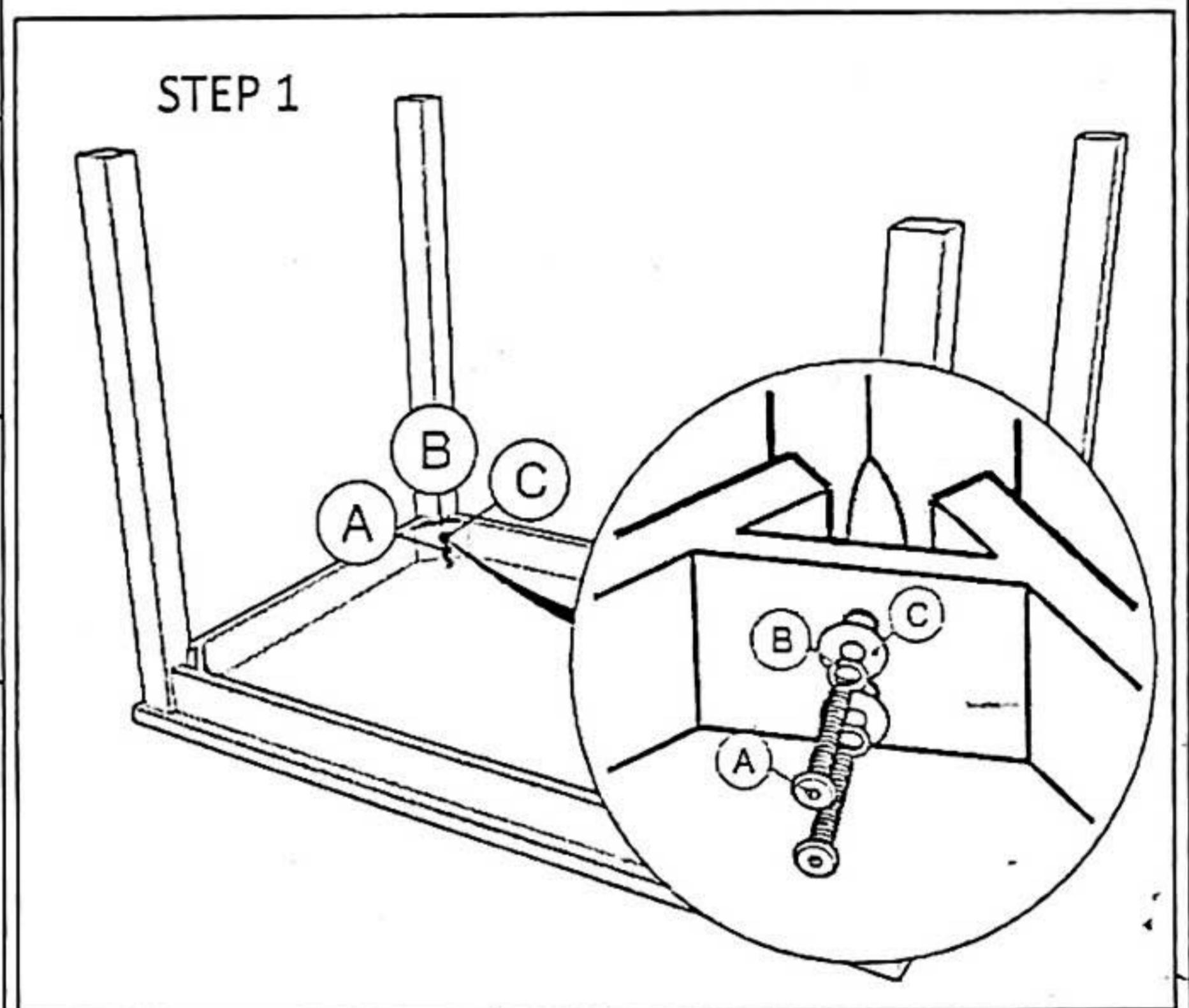
MODEL : DT 2006 R

Thanks you for purchasing this quality product. Be sure to check all packing material carefully for small parts which may have come loose inside the carton during the shipment. Count all parts and metal hardware, compare all parts list below to be sure all parts are present.

**NOTE : HARDWARE AND QUANTITY SHOW BELOW ARE FOR 1 UNIT ASSEMBLY.**

HARDWARE LIST		
NO	DESCRIPTION	QTY
A.	 JCBC M8 x 60	8 PCS
B	 M8 SPRING WASHER	8 PCS
C.	 M8 FLAT WASHER	8 PCS
D	 ALLEN KEY	1 PCS

PART LIST		
NO	DESCRIPTION	QTY
1.	TABLE TOP	1 PCS
2	TABLE LEG	4 PCS




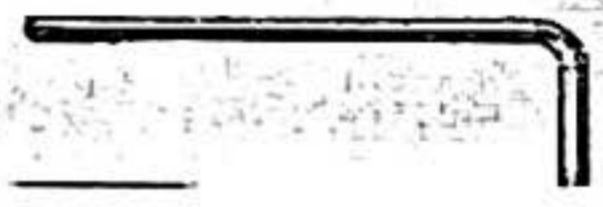


# ASSEMBLY INSTRUCTIONS

## MODEL : DT 2006 R

Thanks you for purchasing this quality product. Be sure to check all packing material carefully for small parts which may have come loose inside the carton during the shipment. Count all parts and metal hardware, compare all parts list below to be sure all parts are present.

**NOTE : HARDWARE AND QUANTITY SHOW BELOW ARE FOR 1 UNIT ASSEMBLY.**

HARDWARE LIST		
NO	DESCRIPTION	QTY
A.	 JCBC M8 x 60	8 PCS
B	 M8 SPRING WASHER	8 PCS
C.	 M8 FLAT WASHER	8 PCS
D	 ALLEN KEY	1 PCS

PART LIST		
NO	DESCRIPTION	QTY
1.	TABLE TOP	1 PCS
2	TABLE LEG	4 PCS

