









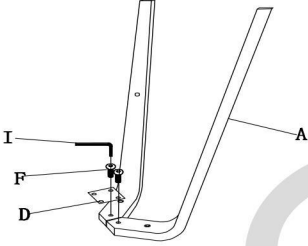


Assembly Instruction:

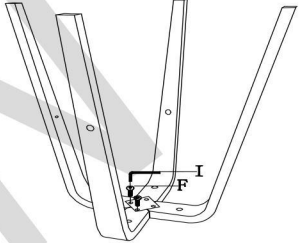
A*4	
B*1	
C*1	
D*1	
E*1	
F*12	 M6×20mm
G*4	 M6×30mm
H*4	
I*1	 M6
J*4	 For balance adjustment

step 1



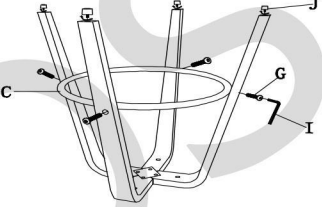
Note: Please first insert 1 screw and slightly hand-tighten it first, but not completely. Rotate the metal plate to the correct angle for the 2nd leg. Then put the 2nd screw in place and slightly hand-tighten it.

step 2



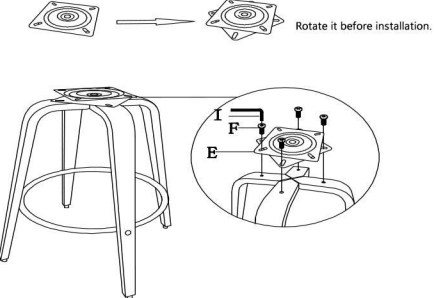
Note: After all 4 screws are in place, you may then fully tighten them one by one.

step 3



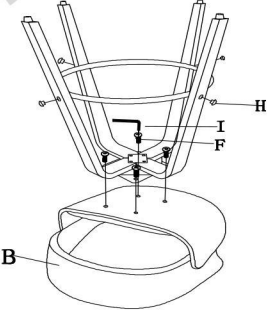
Note: Install 2 screws oppositely first, so that the round ring can be in place in an easier way. However, do not tighten them completely. Then, put the rest of the screws in place. You may then fully tighten all of them.

step 4




Rotate it before installation.

step 5



step 6



Note: After assembly, adjust the leg balancers if needed, so that the stool can be in balance perfectly.

Dear Customers:

- We warmly welcome you to contact us at any time.
- Kindly keep all the packaging until you believe that return is not needed.
- If anything goes wrong, kindly let us know before lodging Return Request, such as damaged parts, missing parts, change of mind etc. Our team will do our utmost to resolve the case to your ultimate satisfaction.
- Our customer service email:
- 100% Customer Satisfaction Guaranteed