

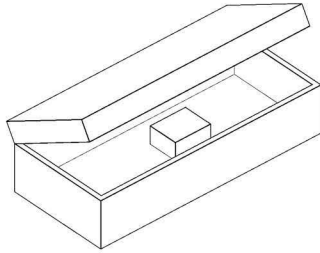
ASSEMBLY INSTRUCTIONS

DESCRIPTION: DEL RAY STORAGE BENCH

Thank you for purchasing this quality product. Be sure to check all packing material carefully for small parts that may have come loose inside the packing during shipment.

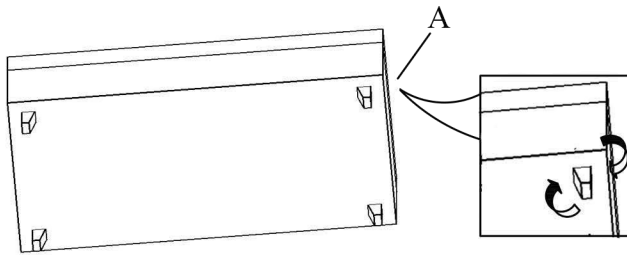
- STEP 1** Upright the item in place, open the storage and take out the wooden legs package. Then turn item on to its back onto a soft and clean surface carefully.

OTTOMAN




- STEP 2** Turn 4 pieces wooden leg (A) on ever corner of ottoman tight carefully as shown, not over tighten.

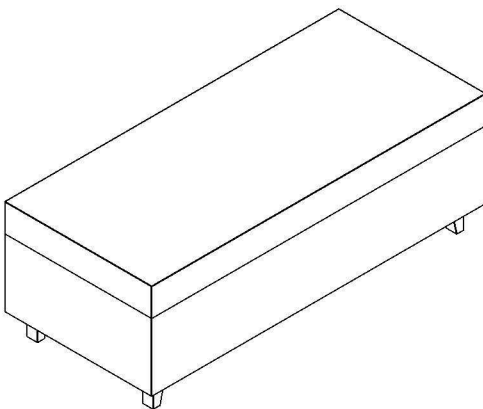
OTTOMAN



PARTS LIST:

No.	Description	Sketch	Quantity
A	Legs		4

- STEP 3** Carefully upright your furniture and set in place by carrying and not pushing or dragging.



THE ASSEMBLY IS COMPLETED.