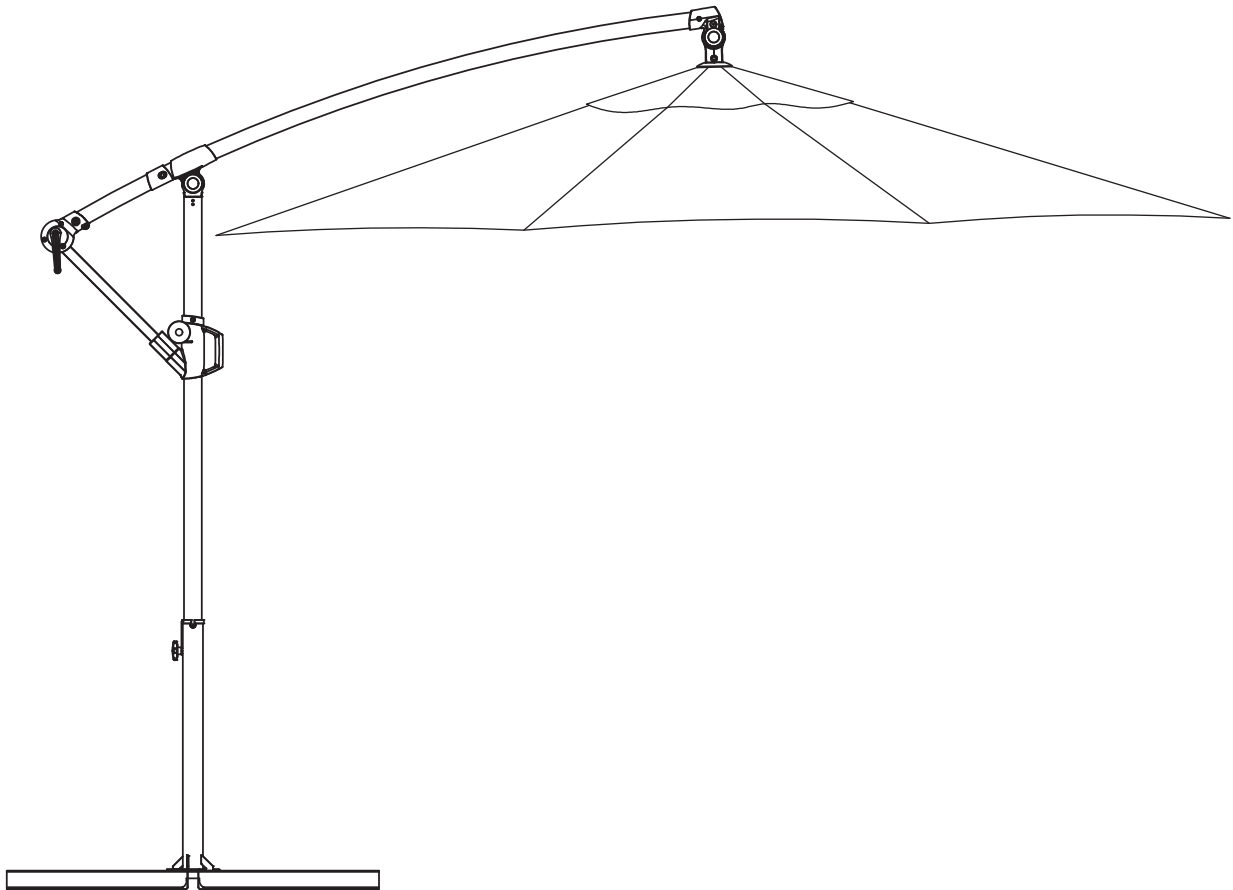


ASSEMBLY INSTRUCTION

10 Ft Cantilever Patio Umbrella



ASSEMBLY INSTRUCTIONS:

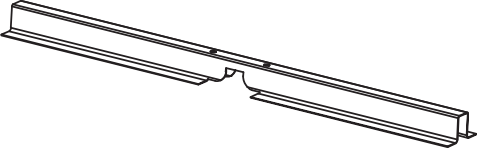
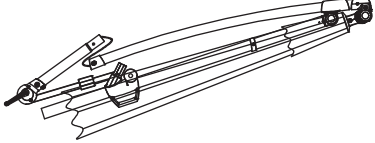
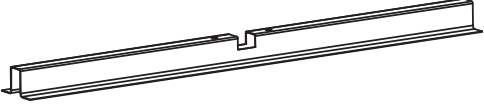


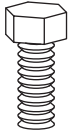


- * Before assembling, make sure that you lay out and identify all parts listed in the parts list.
- * All bolts should be hand tightened before use. Never use power tools or excessive force during assembly and tightening of bolts.
- * Please place the umbrella on a flat protected surface during assembly.

NOTES FOR USE:

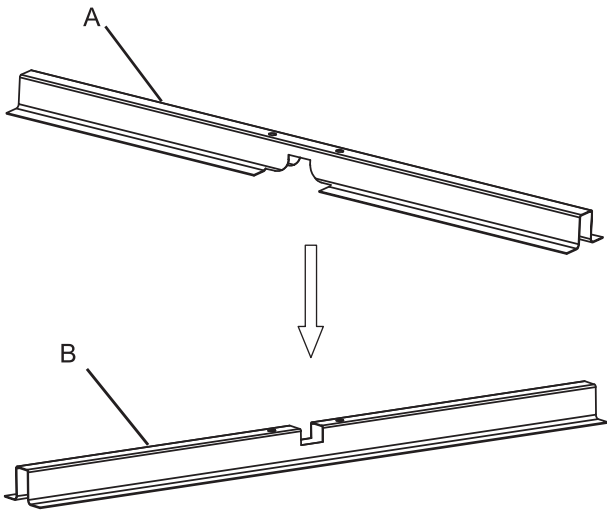
- * The first time to open the umbrella before you need to first reason under the umbrella cloth umbrella bone
- * Please can not untie the knot of the umbrella rope

CARE INSTRUCTIONS:

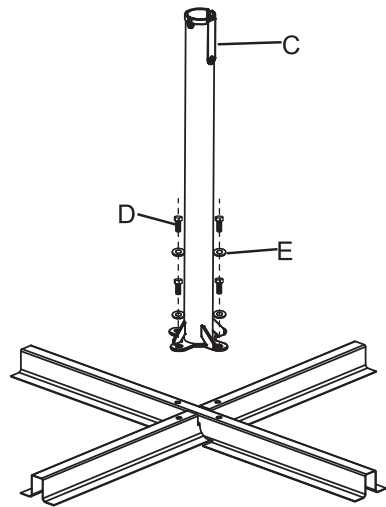
- * Powder-coated steel is durable and will last for many years of seasonal use. It is recommended to touch up or repair any scratches to the paint surface to prevent rust.
- * If you see rust, carefully sand the area using fine sandpaper and apply a rust-resistant paint that closely matches the frame color.
- * Never use any umbrella at a table during windy conditions.

A	1	 Stand A	G	1	 Umbrella Body
B	1	 Stand B	H	1	 Wrench
C	1	 Foot Tube			
D	4	 Screw			
E	4	 Spacer			
F	1	 Knob			

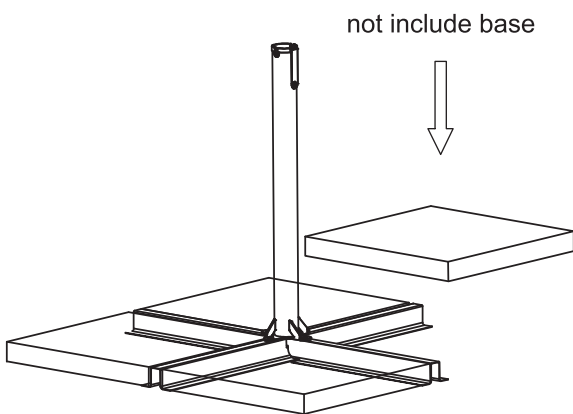
01:



02:

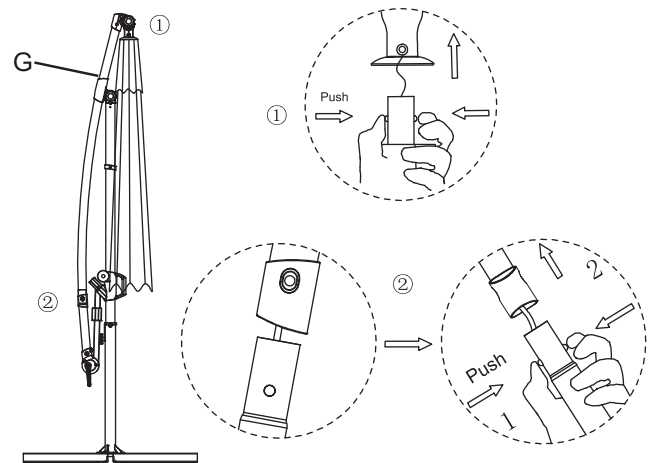


03:

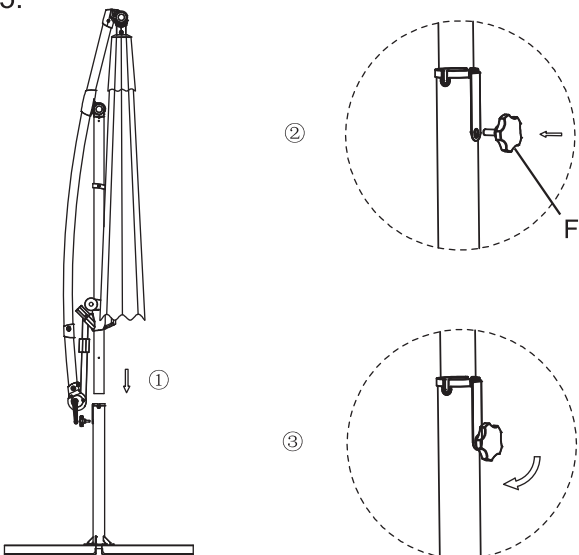


04:

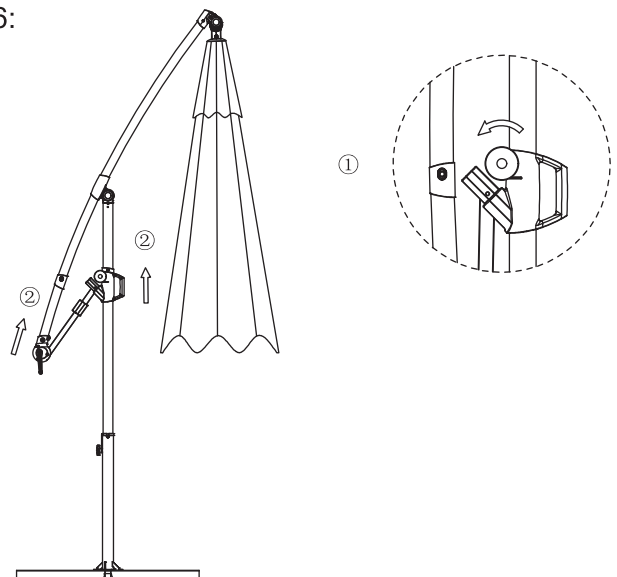
Note: Please check if the rope is tightened before installation



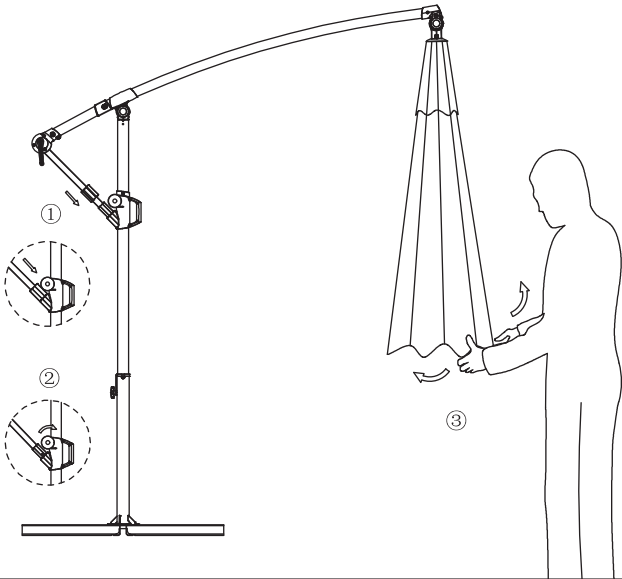
05:



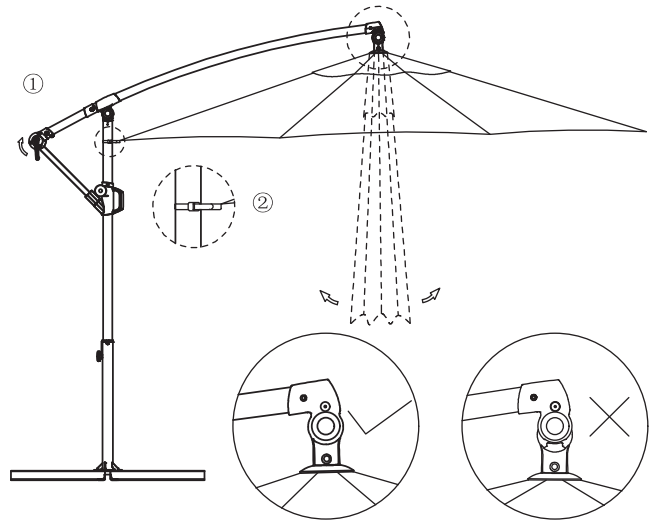
06:



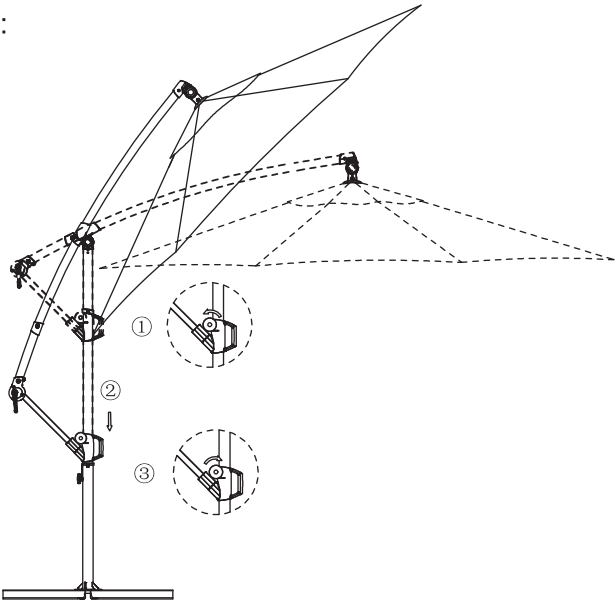
07:



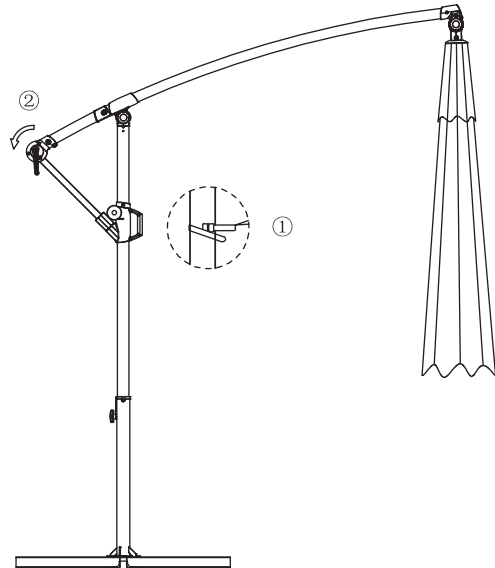
08:



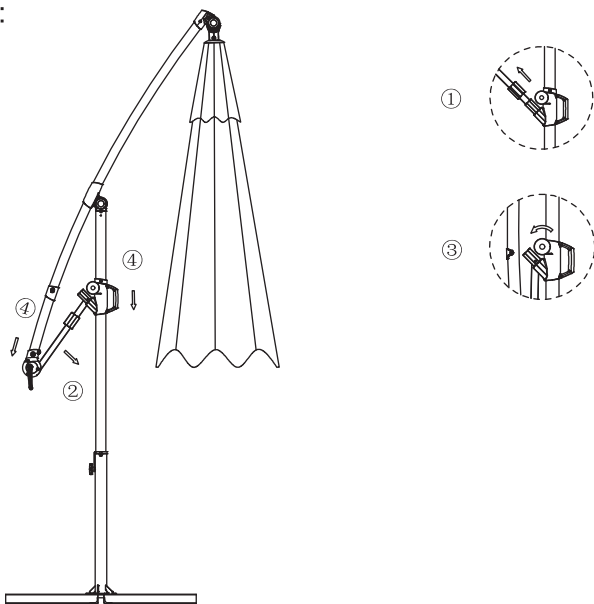
09:



10:



11:



12:

