

INSTALLATION

Product Manual

Version: 590018US-01-25A-NY



IMPORTANT INFORMATION!

please read the entire manual before starting to assemble and/or using this product. follow the manual thoroughly and keep it for further reference.



AVOID SCRATCHES!

In order to avoid scratching this furniture should be assembled on a soft layer- could be a rug.



IMPROVE EFFICIENCY !

Try to find a partner to install with you, which can speed up the installation efficiency and shorten the time.



ANTI-TOPPLE WARNING !

Overturnd furniture can cause serious or fatal crush injuries. To prevent tipping over, be sure to use the wall attachment, if not included with this product. Please purchase the wall attachment that fit your wall. If unsure, seek professional advice. Please read and follow each step of the instructions carefully.

IMPORTANT !

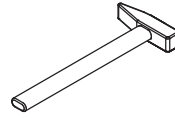
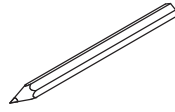
It is important that any product which is assembled using any kind of screw is re-tightened 2 weeks after assembly, and once every 3 months - in order to assure stability through-out the lifespan of the product.

For regular maintenance and cleaning of the product, for the frame, please use a rag dipped in neutral detergent to fully wipe it, and then dry it with a clean rag. For glass materials, wipe with a rag dampened with water glass cleaner, and then dry with a dry rag.

Do not use an electric screwdriver, and do not use too much force when installing, because the board is easy to break.

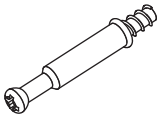


Please prepare the following tools



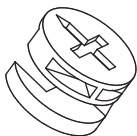
When installing, please carefully confirm whether each screw corresponds to the manual, accessories with similar shapes can be distinguished by size

A x 38



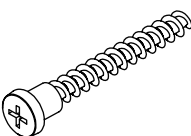
Ø6 x 35 mm

B x 38



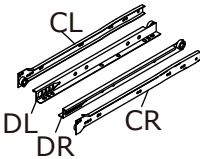
Ø15 x 9.5 mm

C x 8



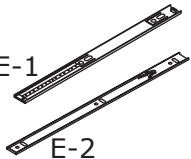
Ø5 x 40 mm

D x 4



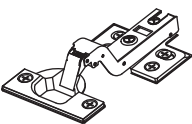
250 mm

E x 30

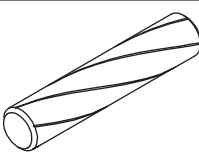


250 mm

F x 4

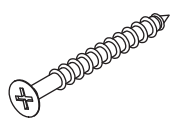


G x 25



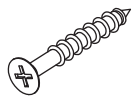
Ø8 x 40 mm

H x 166



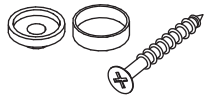
Ø3.5 x 35 mm

I x 6




Ø3.5 x 20 mm

G x 60

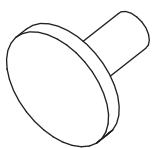


Ø3.5 x 25 mm


K x 15



L x 6




M x 19



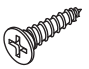
Ø4 x 8 mm

N x 2



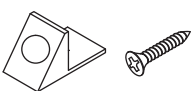
Ø4 x 18 mm

O x 176



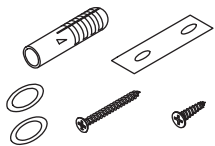
Ø3.5 x 12 mm

P x 26

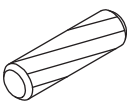


Ø7 x 35 mm

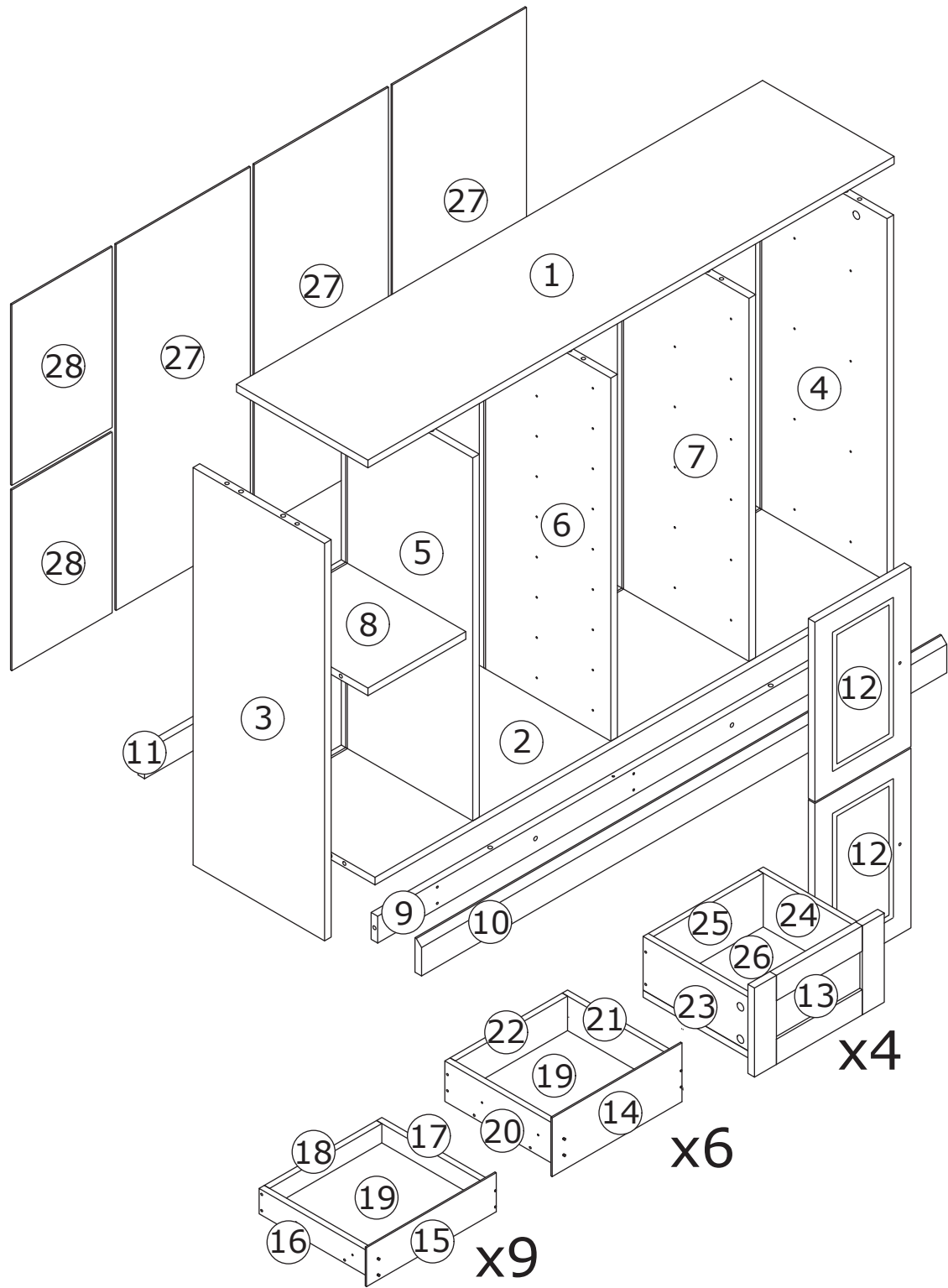
Q x 2



R x 2



Ø8 x 20 mm



⚠ WARNING

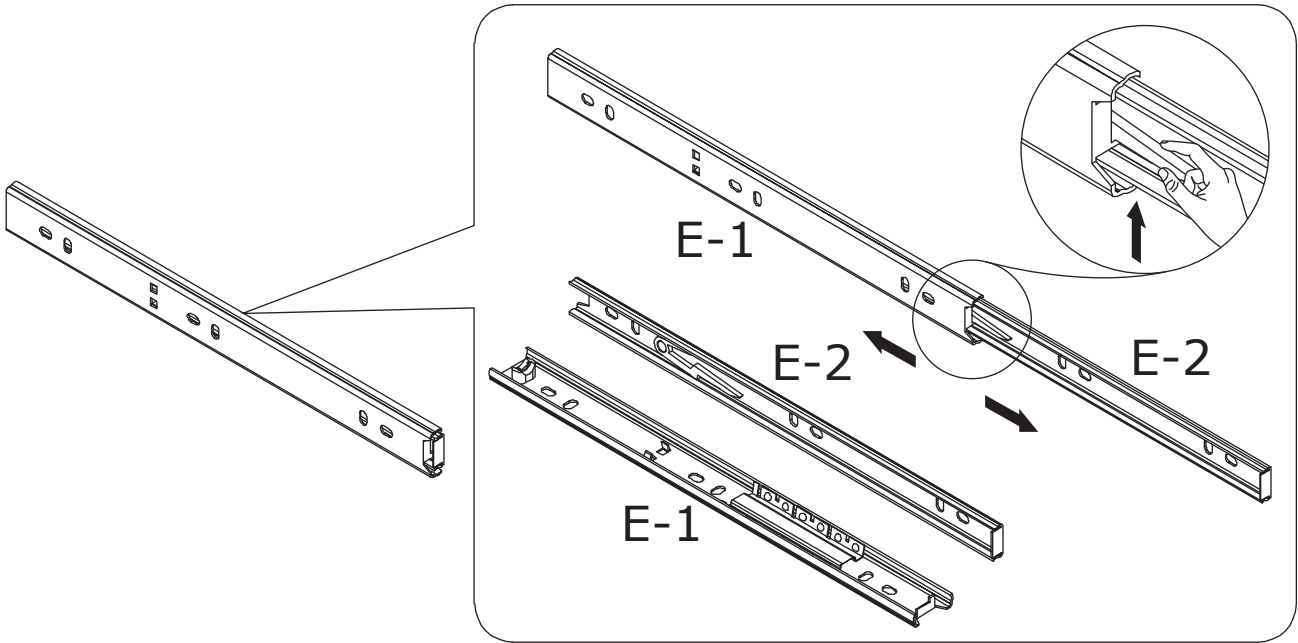


Children have died from furniture tipover. To reduce the risk of furniture tipover:

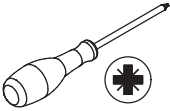
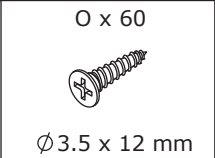
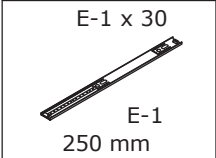
- ALWAYS install Anti-tip device provided.
- NEVER put a TV on this product.
- NEVER allow children to stand, climb or hang on drawers, doors, or shelves.
- NEVER open more than one drawer at a time.
- Place heaviest items in the lowest drawers.

*This is a permanent label.
Do not remove!*

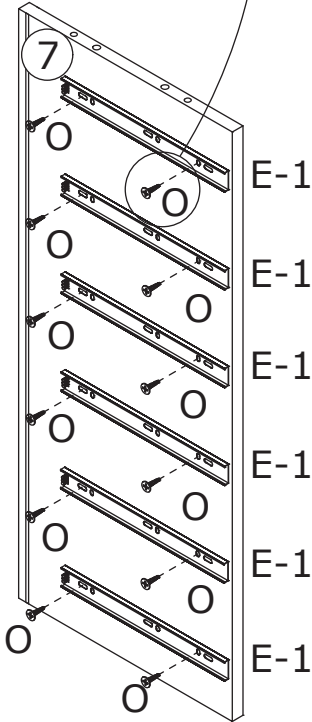
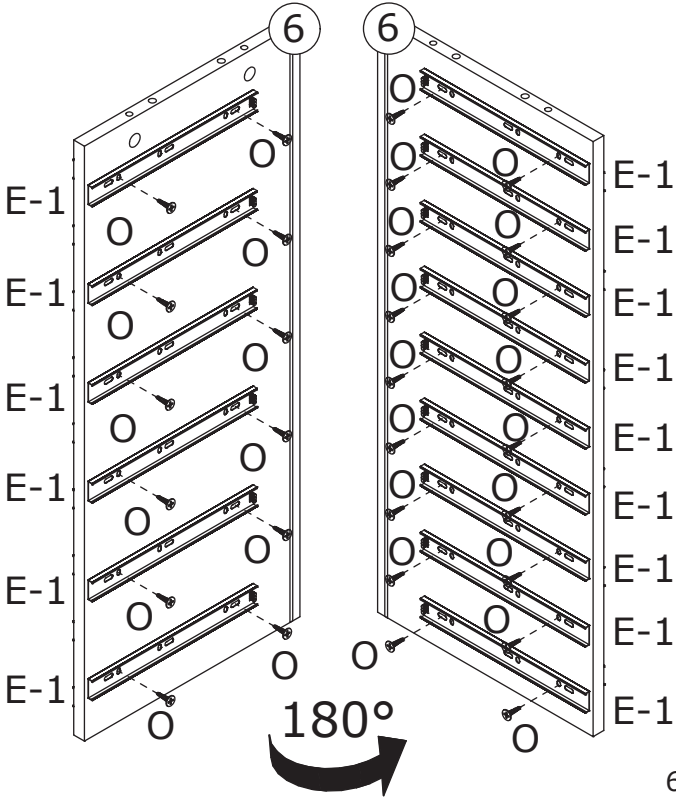
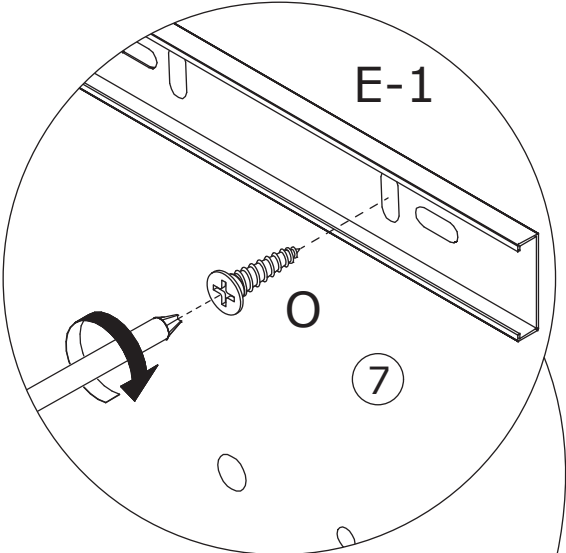
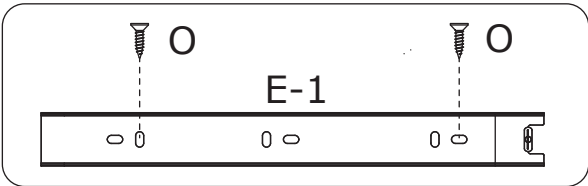
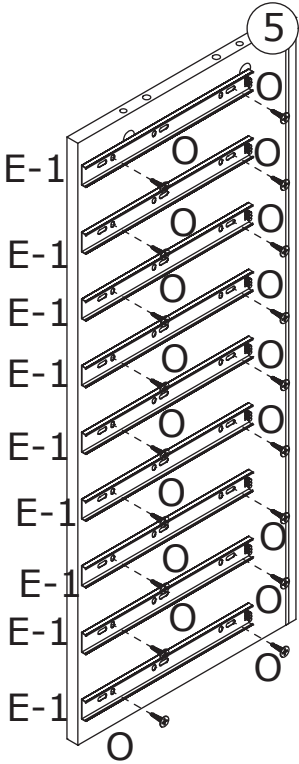




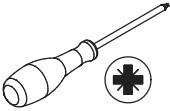
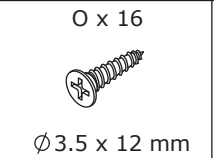
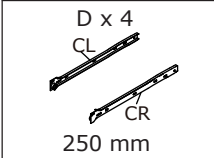
1



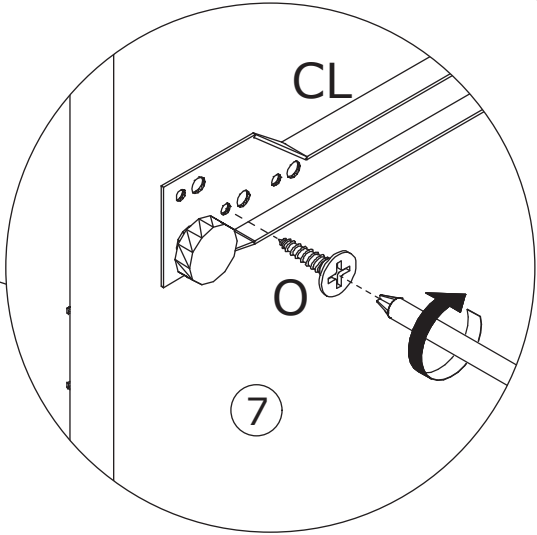
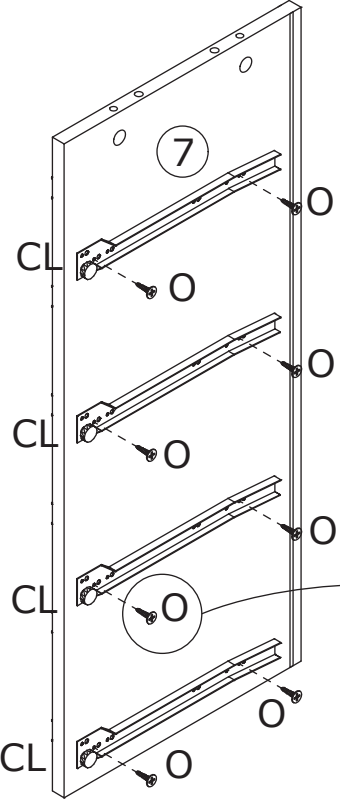
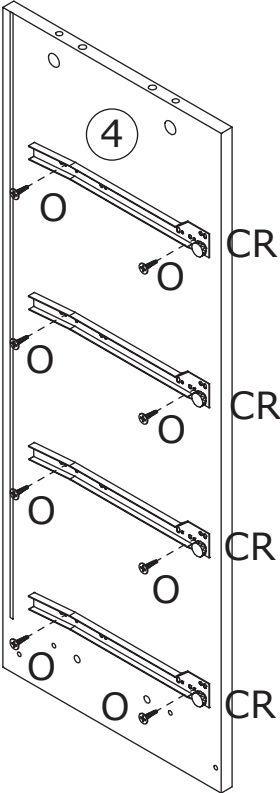
Secure rail E (E1 section) to boards 5, 6, and 7 using screw O.
(Note: Position screw O in the center of the rail's oval-shaped holes.)



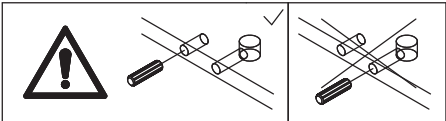
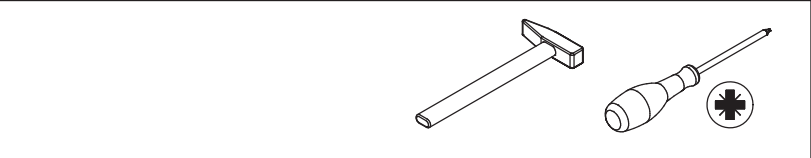
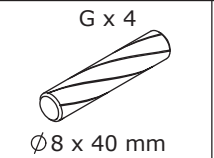
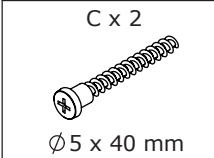
2



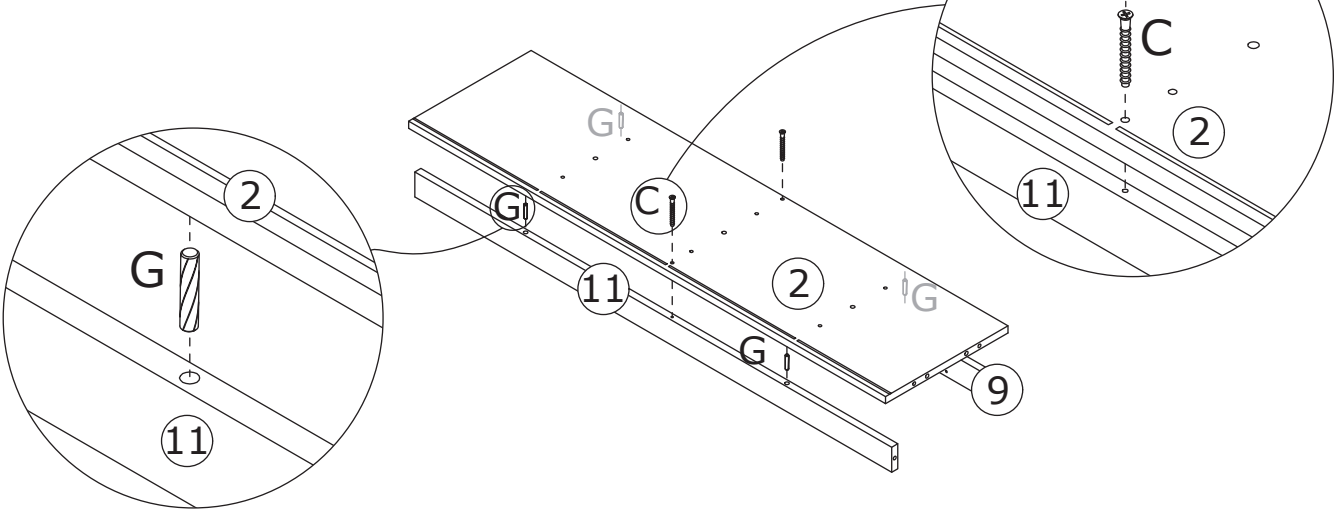
Fix rail D (D1 section) to boards 4 and 7 using screw O.



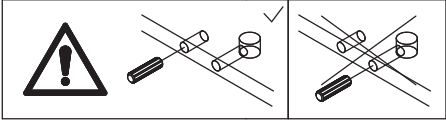
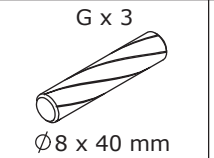
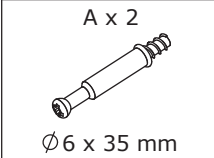
3



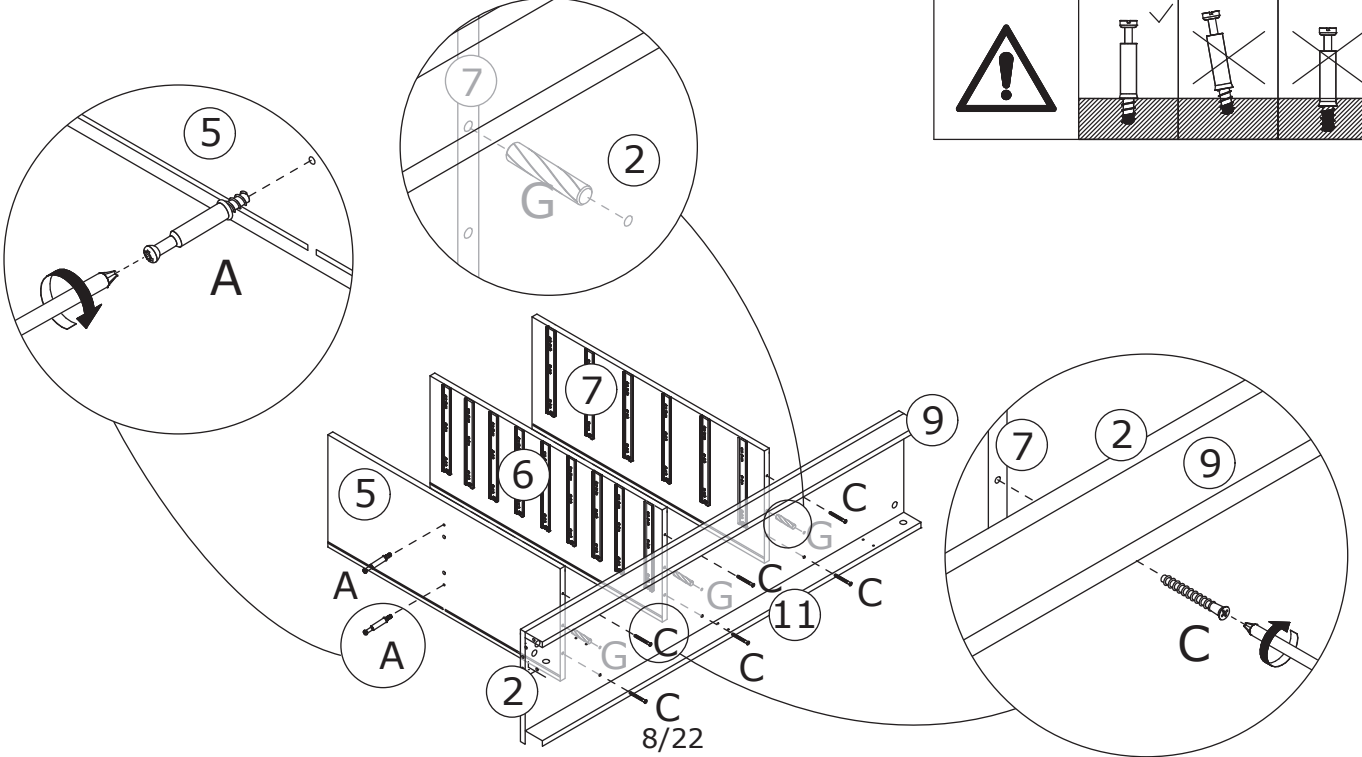
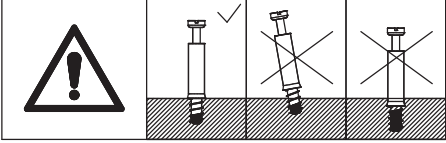
Connect boards 2, 9, and 11 with dowel G, then secure with screw C.



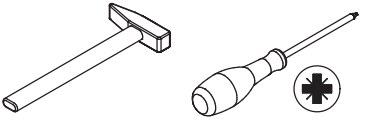
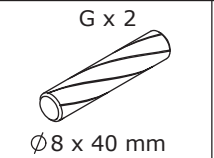
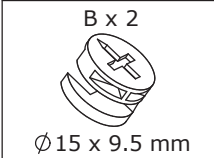
4



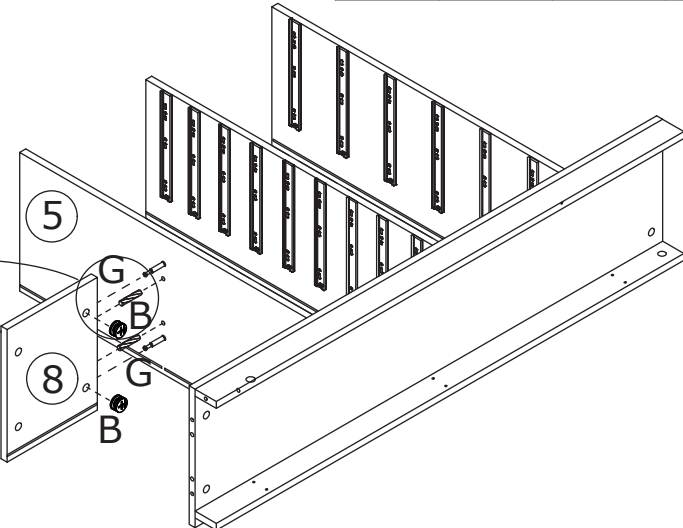
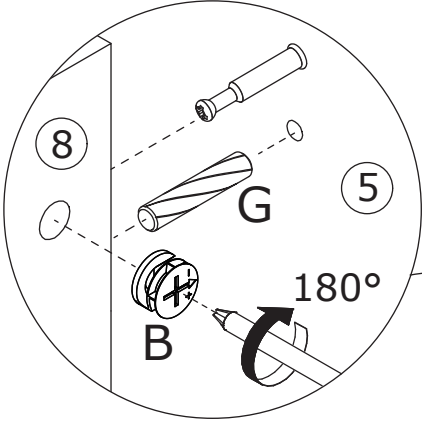
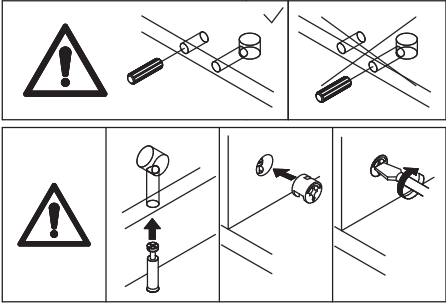
Join boards 2, 5, 6, and 7 with dowel G, fasten with screw C, then install threaded rod A to board 5.



5



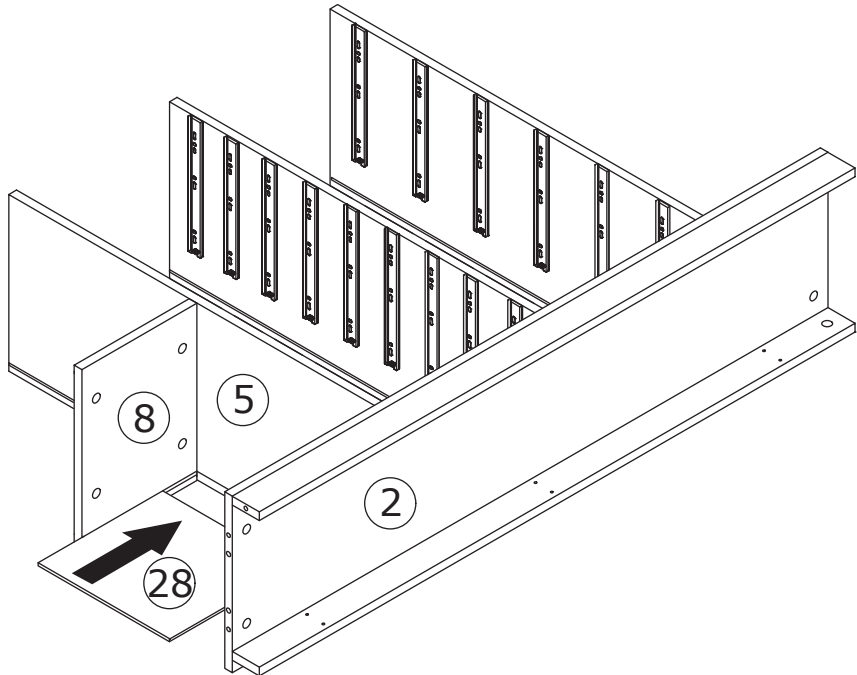
Connect board 8 to board 5 using dowel G, then insert and tighten cam lock B.



6

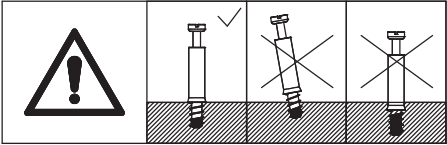


Insert board 28 into the slots of boards 2, 5, and 8.

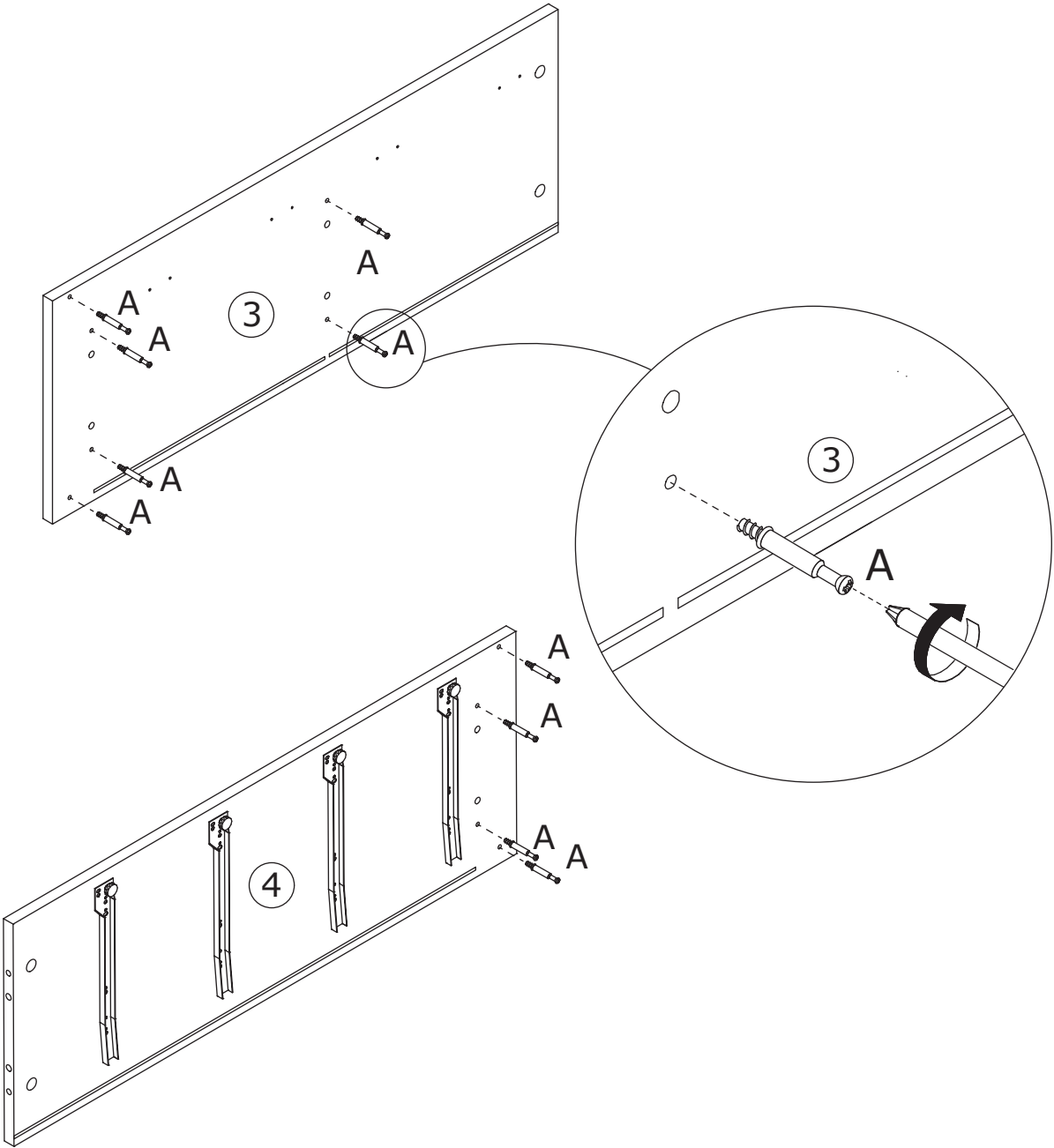


7

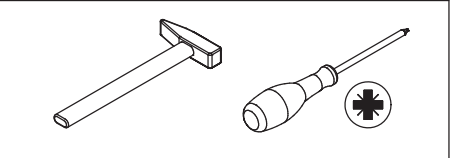
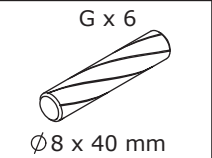
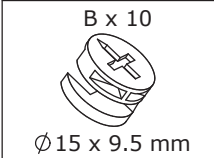
A x 10
Ø6 x 35 mm



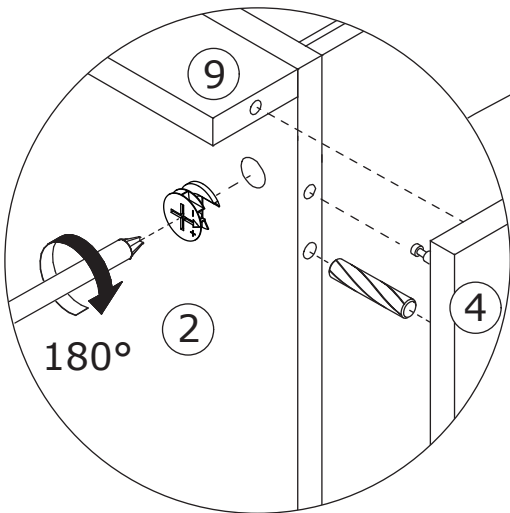
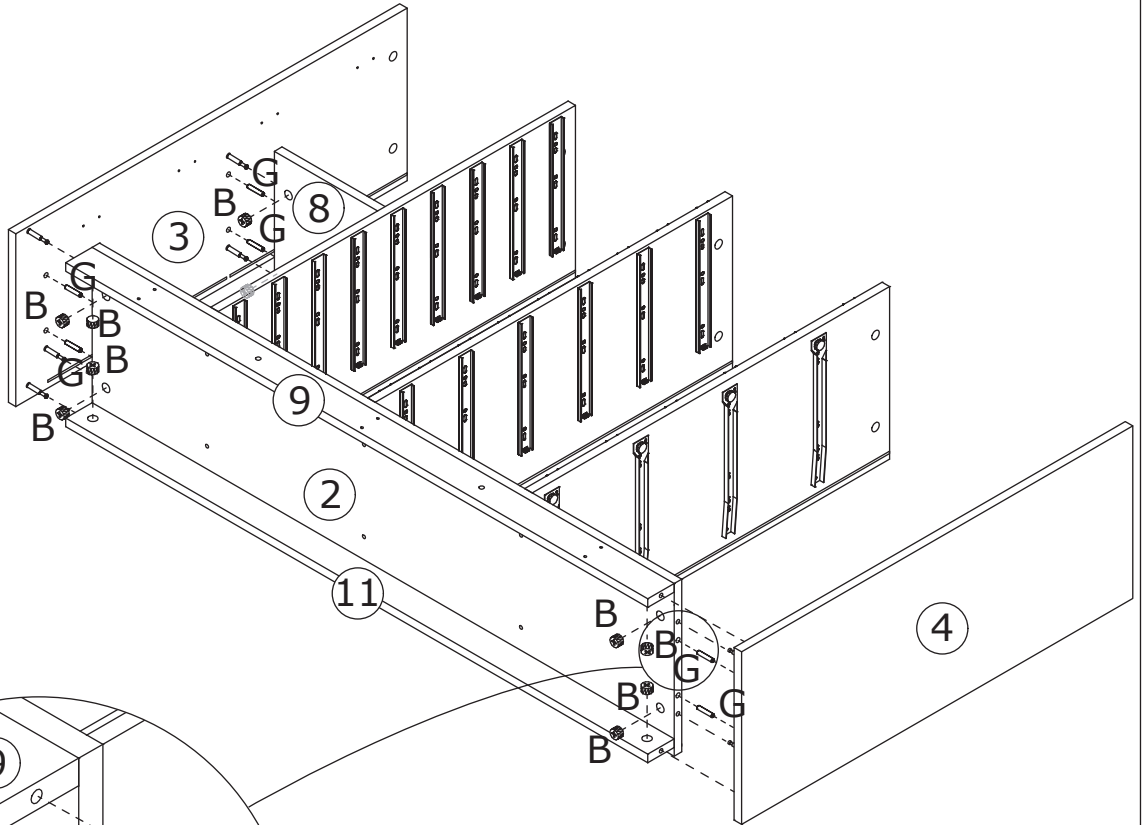
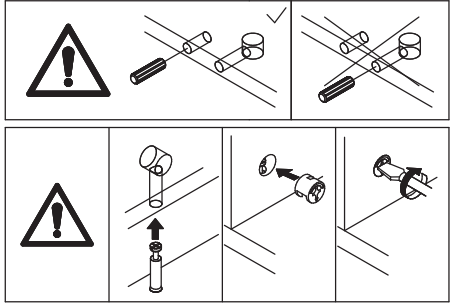
Install threaded rod A to boards 3 and 4.



8

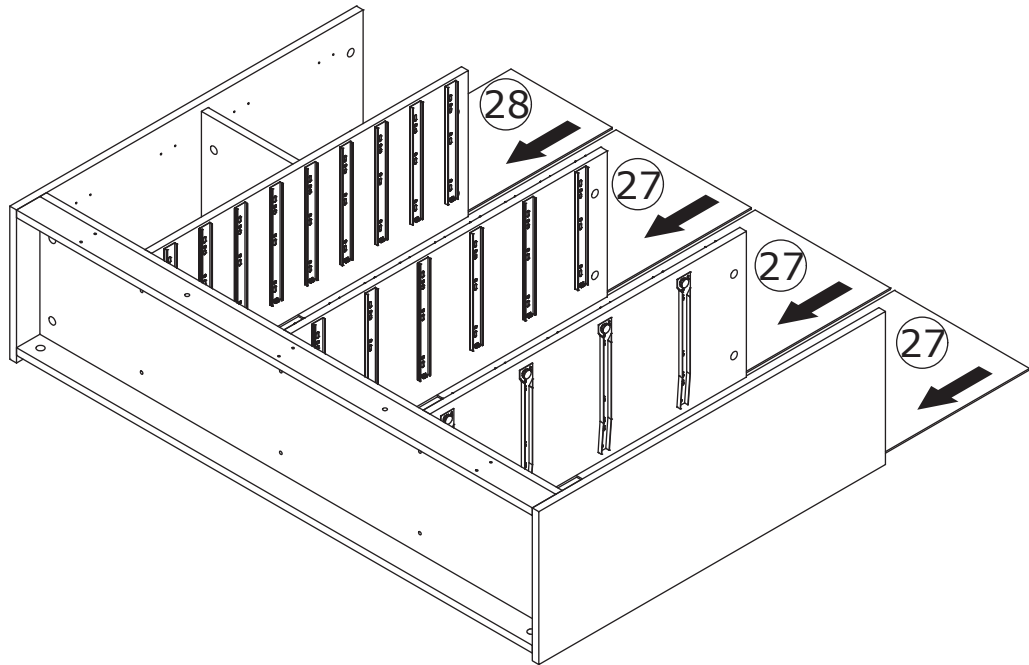


Connect boards 2, 3, and 4 with dowel G, then insert and tighten cam lock B.



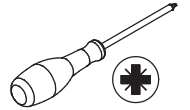
9

Insert boards 27 and 28 into the previously assembled board slots.

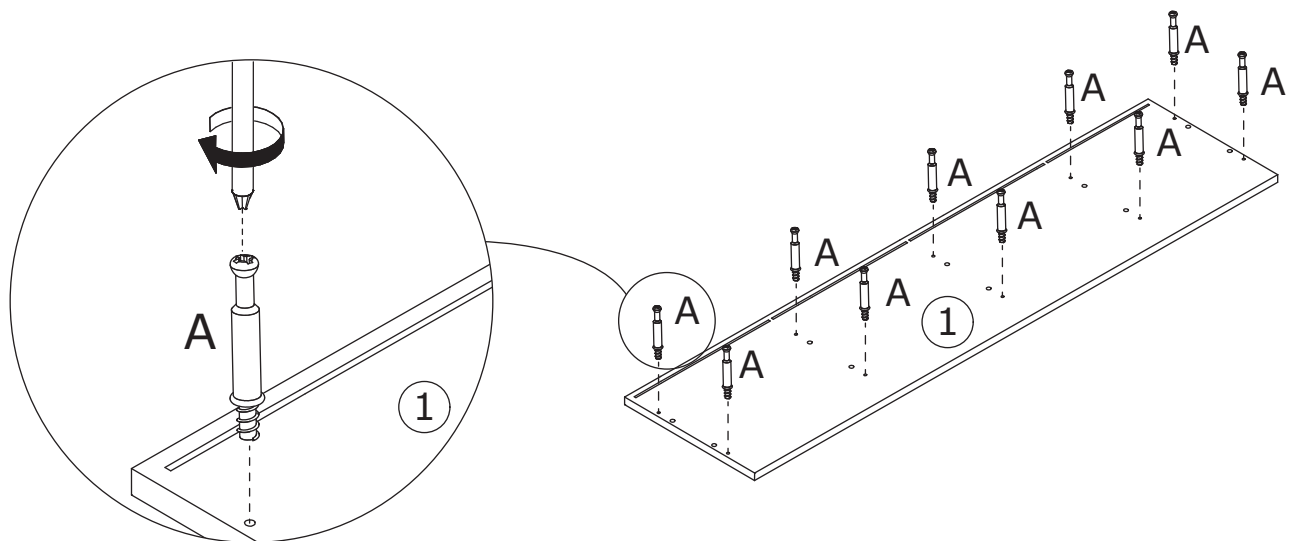
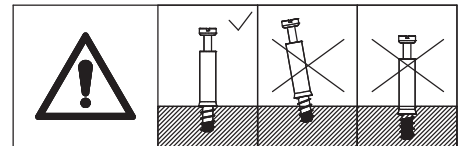


10

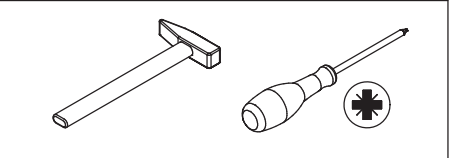
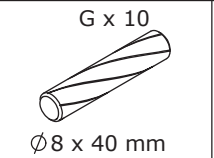
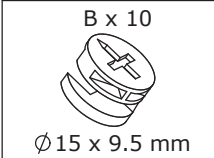
A x 10
Ø6 x 35 mm



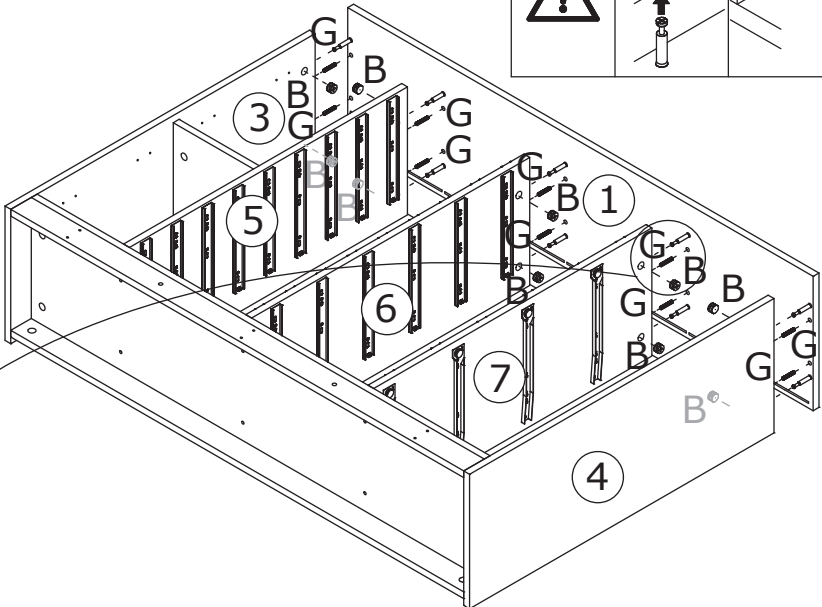
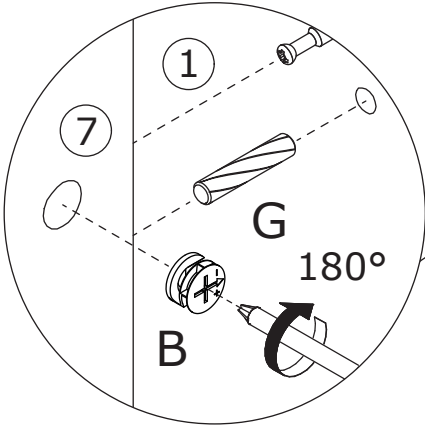
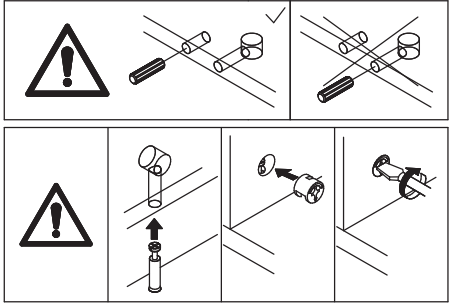
Install threaded rod A to board 1.



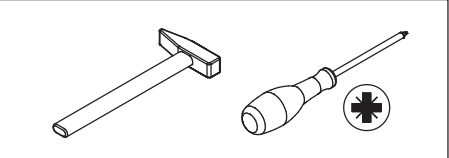
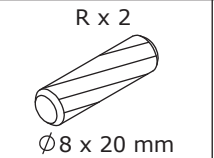
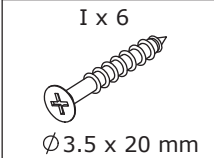
11



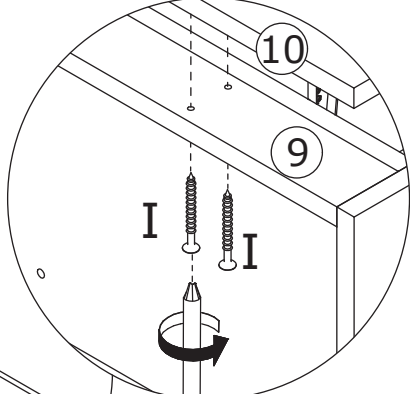
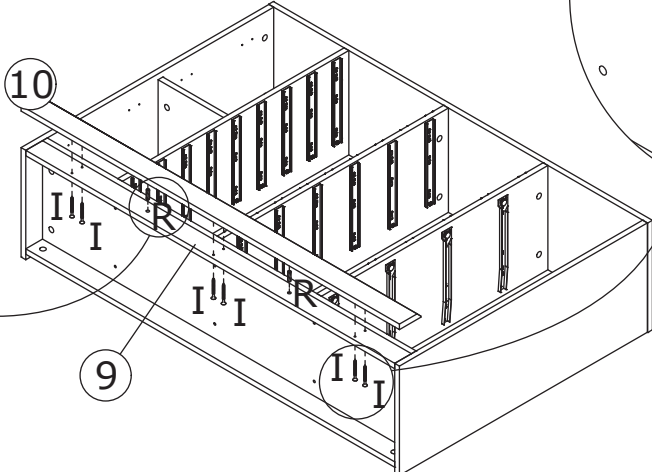
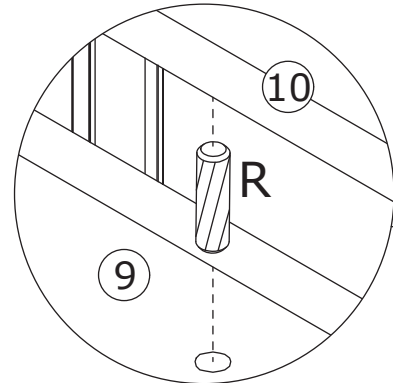
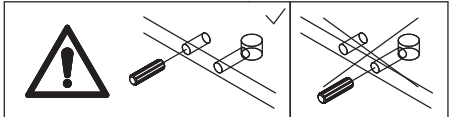
Connect board 1 to the pre-assembled structure using dowel G, then insert and tighten cam lock B.



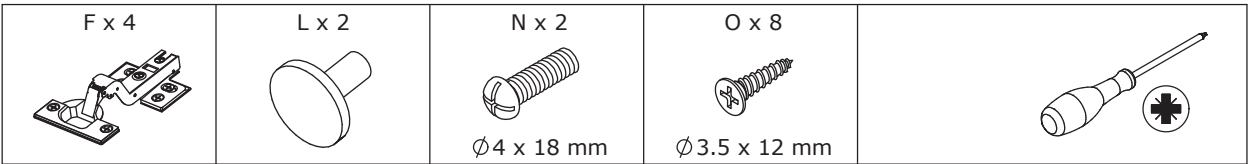
12



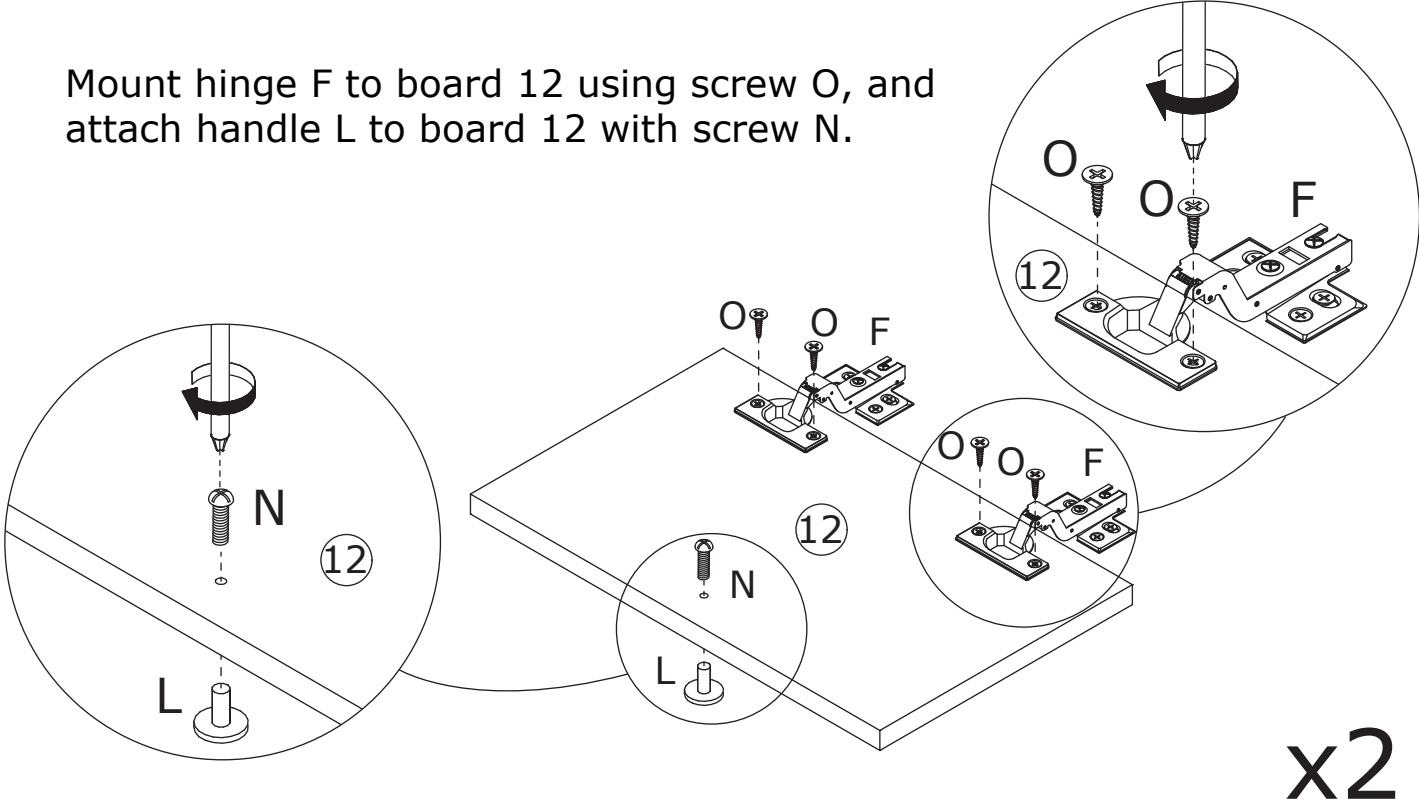
Join boards 9 and 10 with dowel R, then secure with screw I.



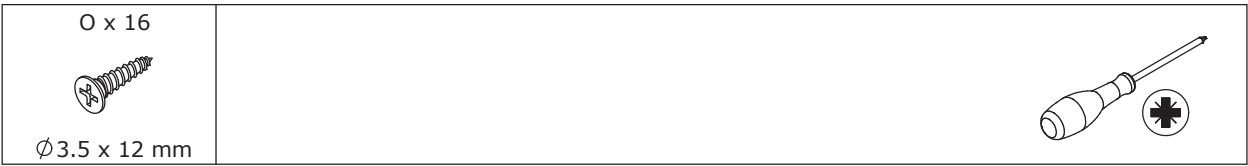
13



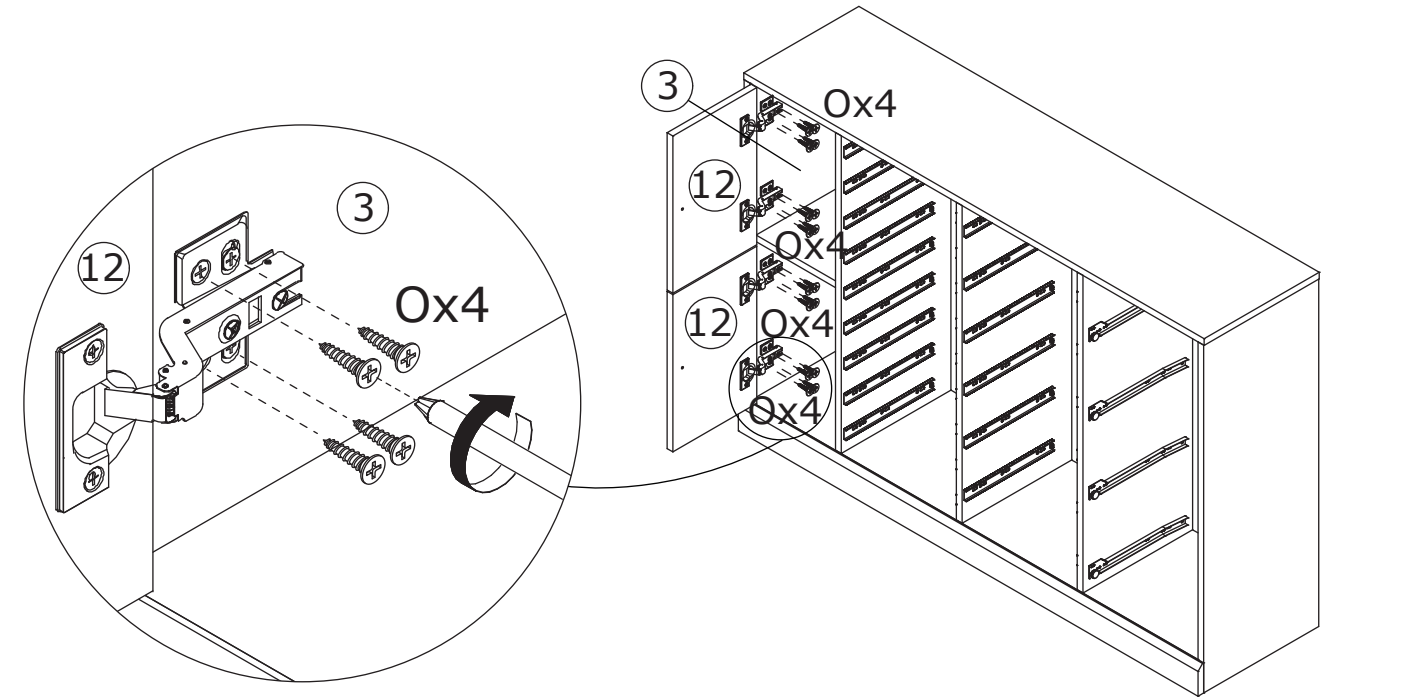
Mount hinge F to board 12 using screw O, and attach handle L to board 12 with screw N.



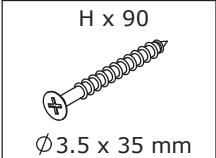
14



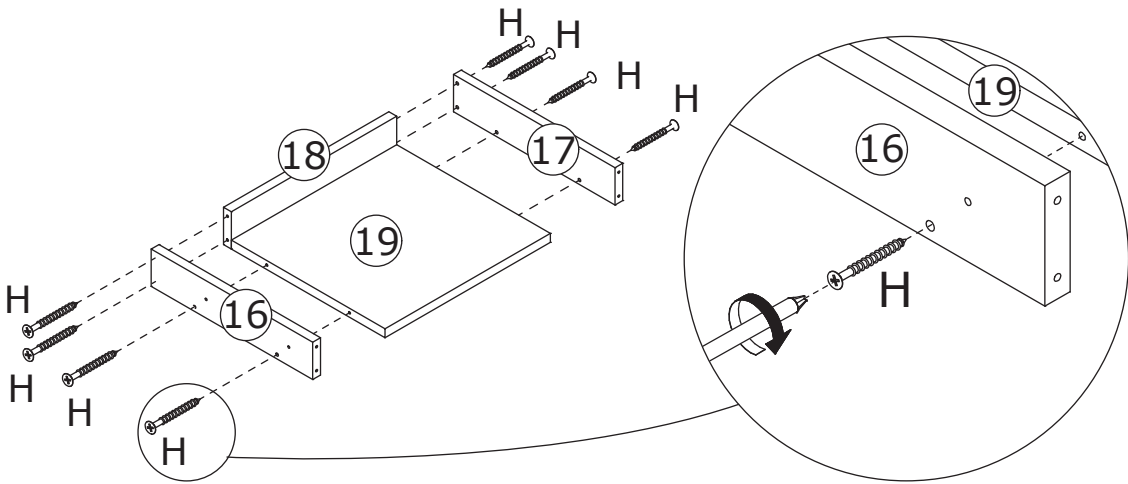
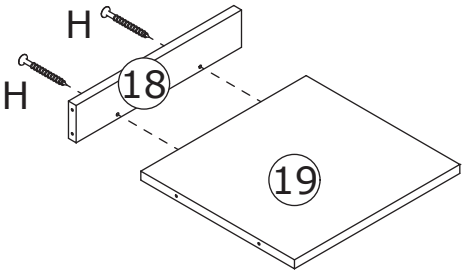
Fix hinge F to board 3 using screw O.



15

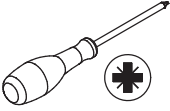
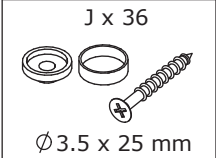


Secure board 18 to board 19 with screw H, then fasten boards 16 and 17 to boards 18 and 19 using screw H.

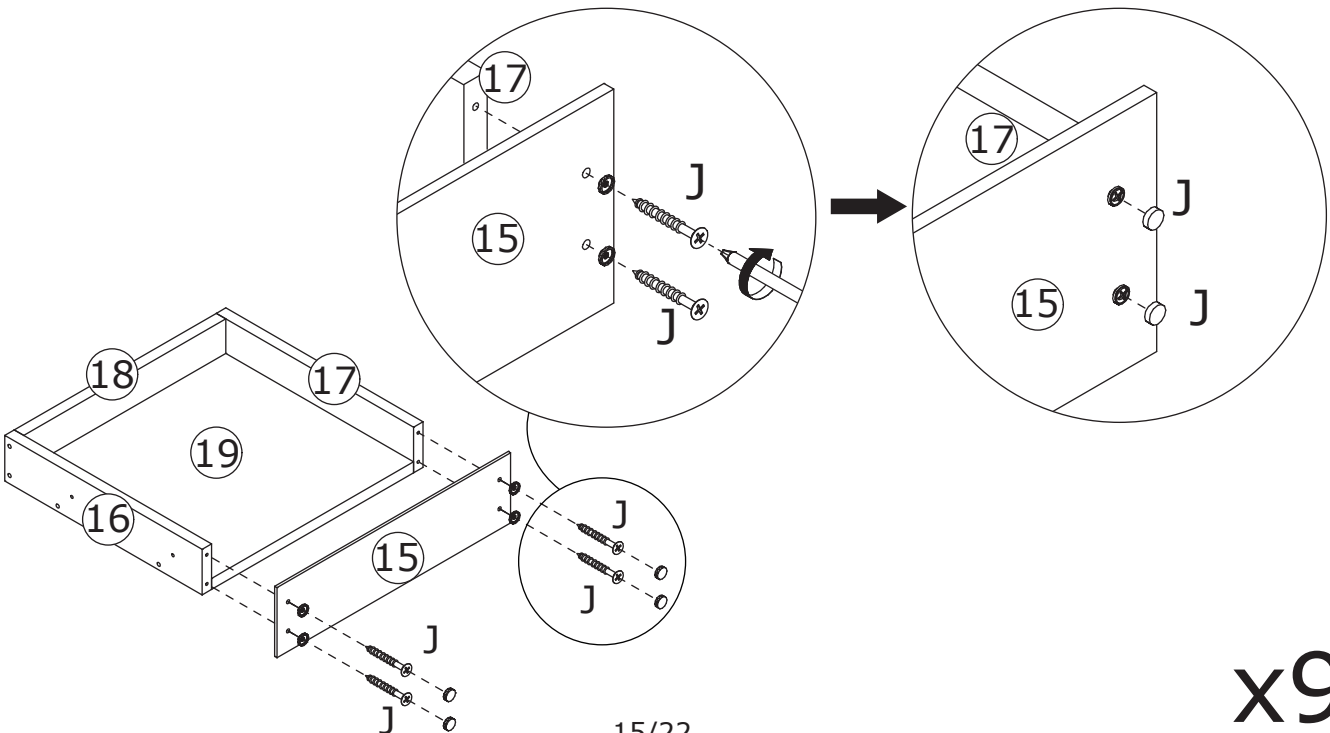


x9

16

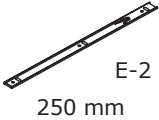


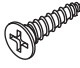
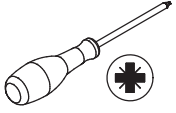


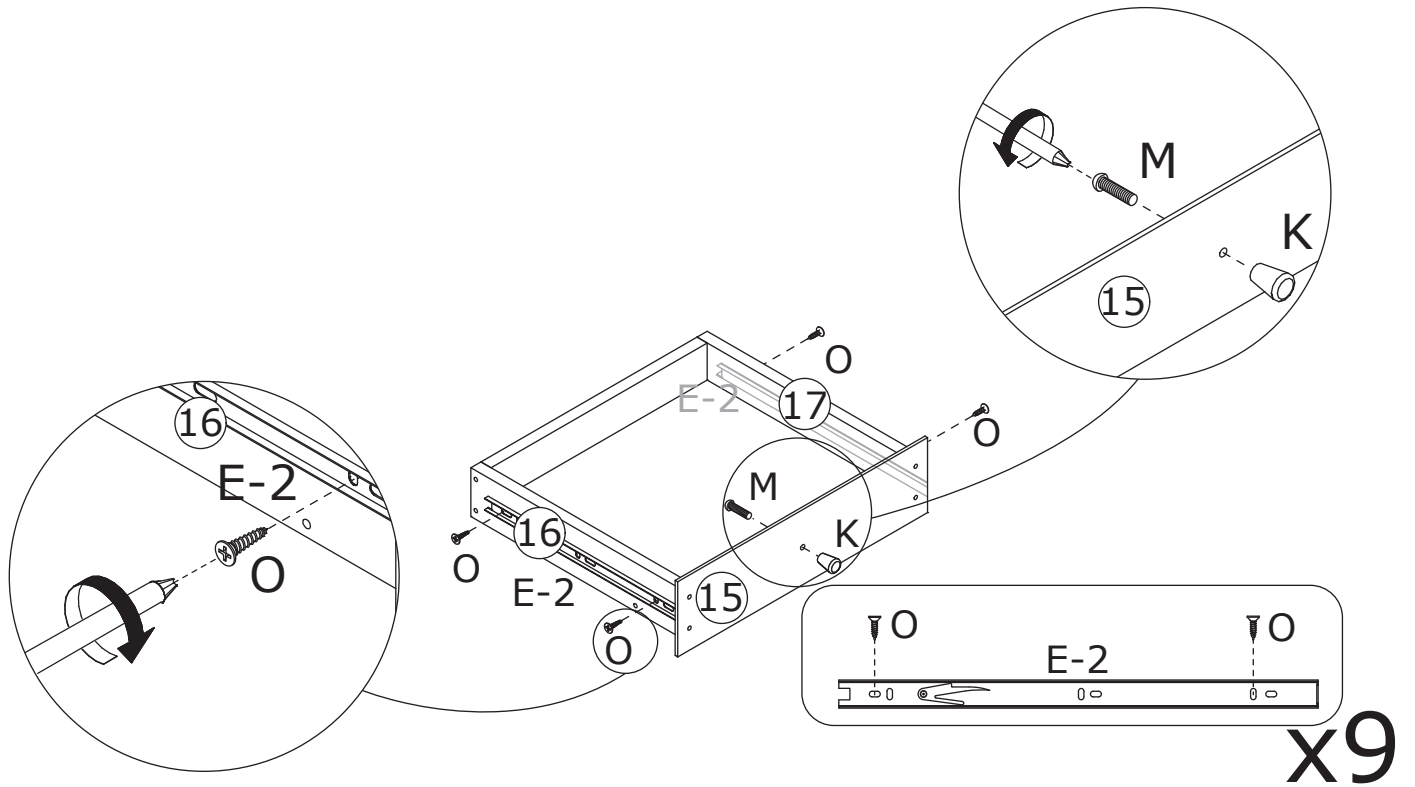
Remove protective film from both sides of acrylic panel 15, then mount it to boards 16 and 17 using screw J with washers.



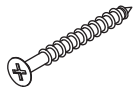
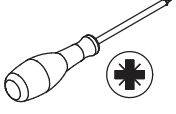
x9

17

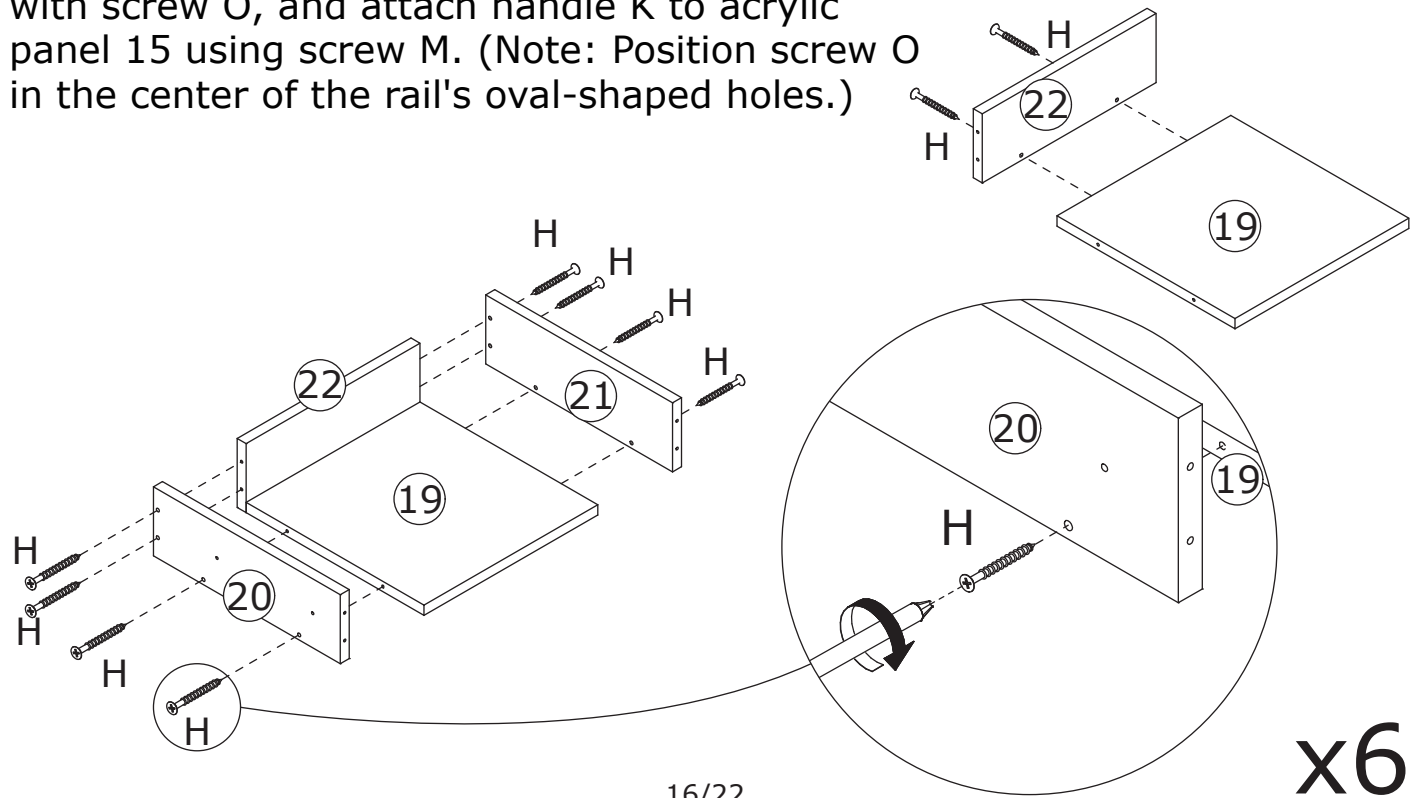
<p>E-2 x 18 E-2 250 mm</p> 	<p>K x 9</p> 	<p>M x 9 Ø4 x 8 mm</p> 	<p>O x 36 Ø3.5 x 12 mm</p> 	
--	--	--	---	---



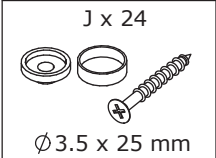
18

<p>H x 60 Ø3.5 x 35 mm</p> 	
--	---

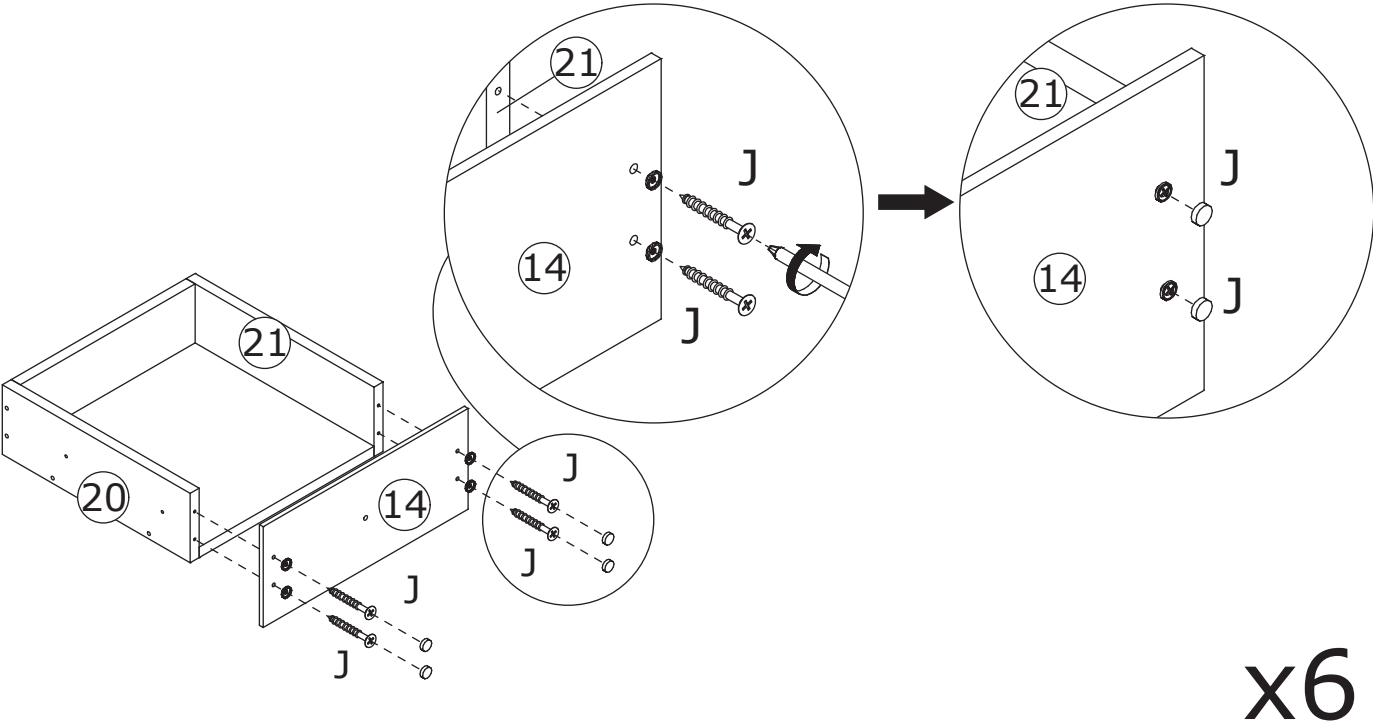
Install rail E (E2 section) to boards 16 and 17 with screw O, and attach handle K to acrylic panel 15 using screw M. (Note: Position screw O in the center of the rail's oval-shaped holes.)



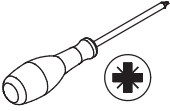
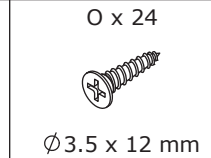
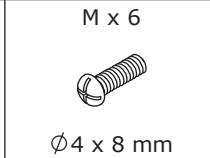
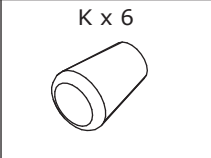
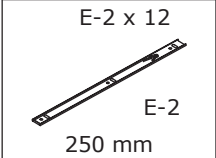
19



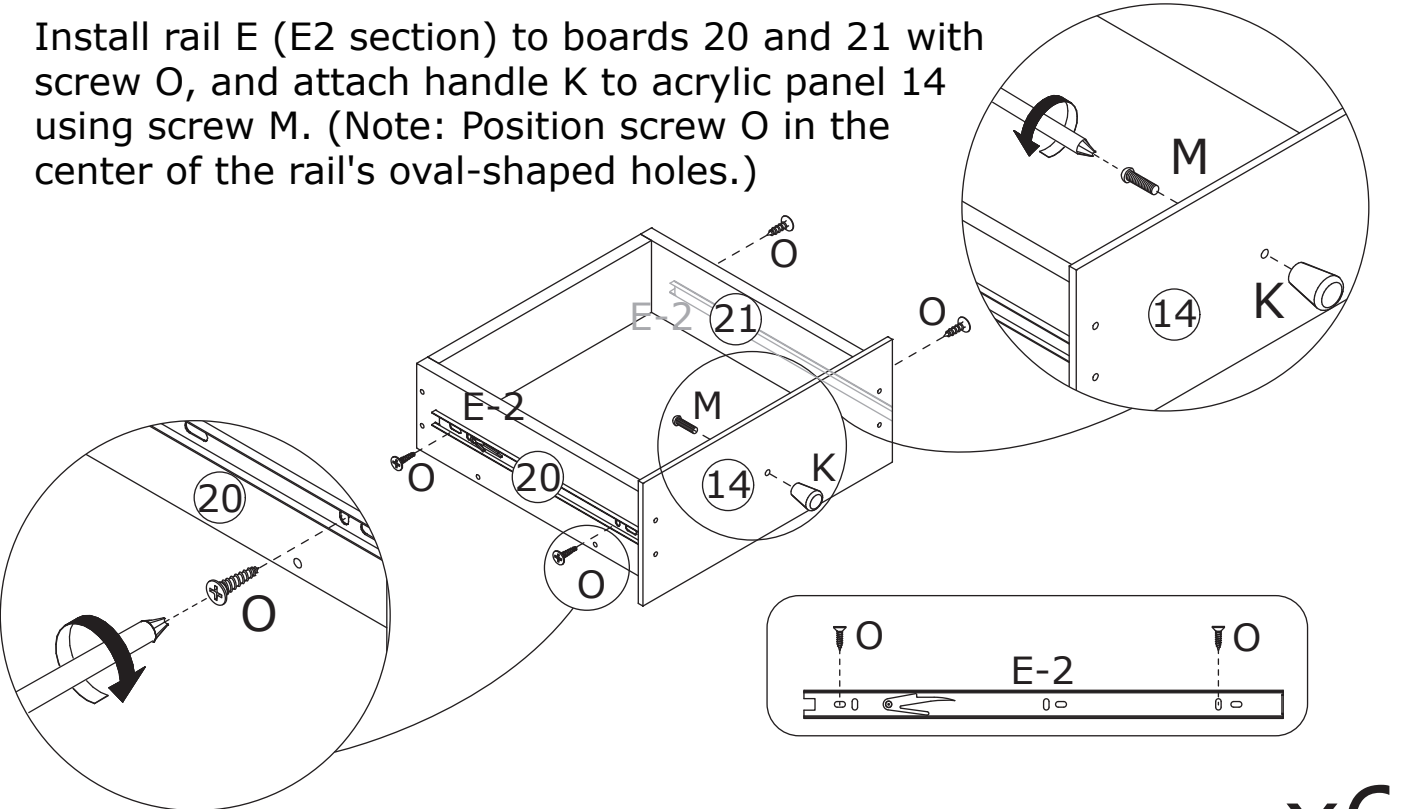
Remove protective film from both sides of acrylic panel 14, then mount it to boards 20 and 21 using screw J with washers.



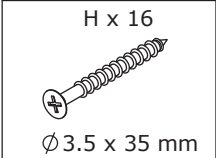
20



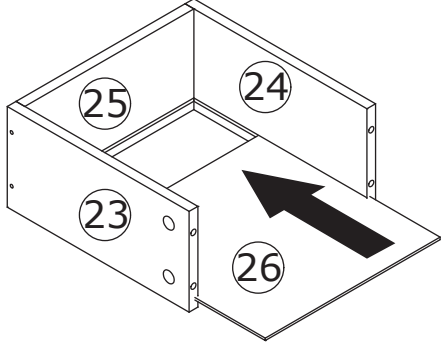
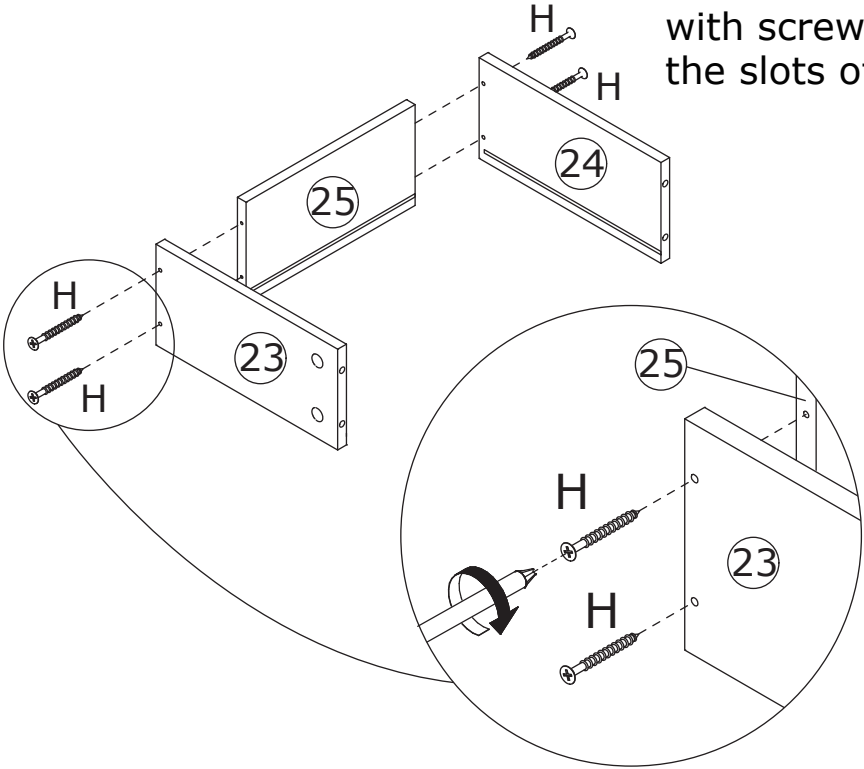
Install rail E (E2 section) to boards 20 and 21 with screw O, and attach handle K to acrylic panel 14 using screw M. (Note: Position screw O in the center of the rail's oval-shaped holes.)



21

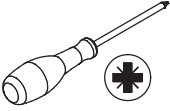
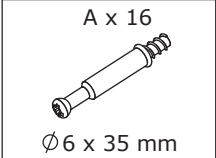


Secure boards 23 and 24 to board 25 with screw H, then insert board 26 into the slots of boards 23, 24, and 25.

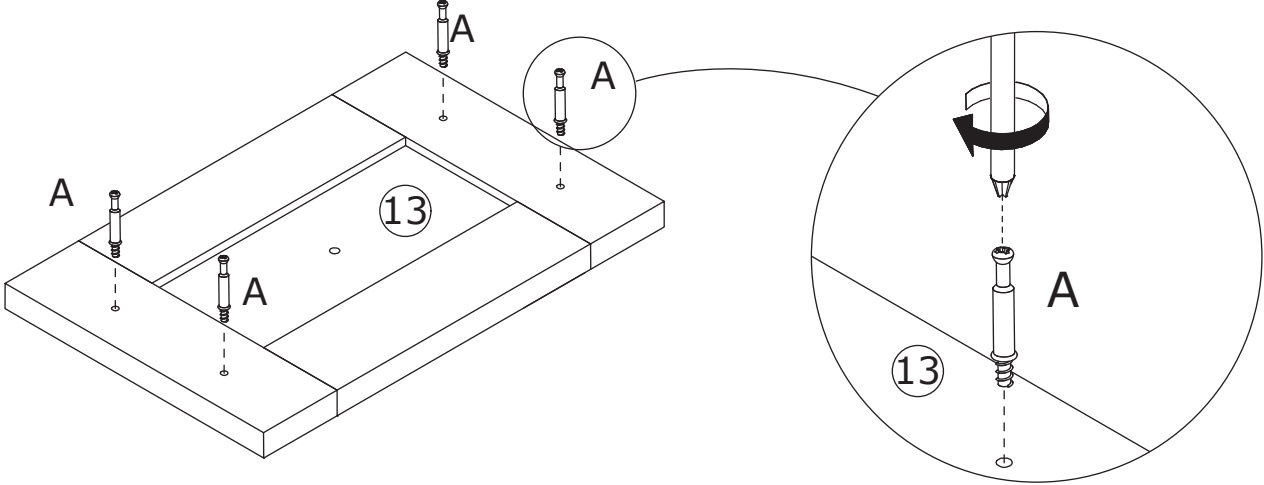
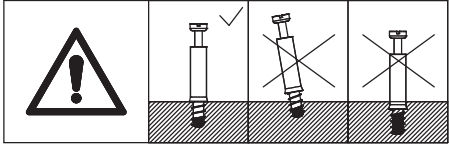


x4

22

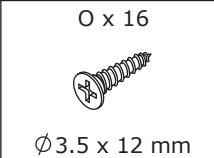
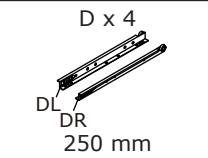
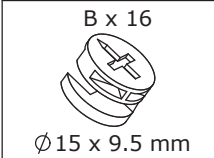


Remove protective film from both sides of the acrylic panel in board 13, then install threaded rod A to board 13.

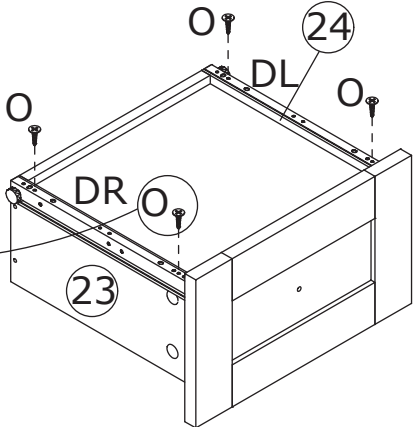
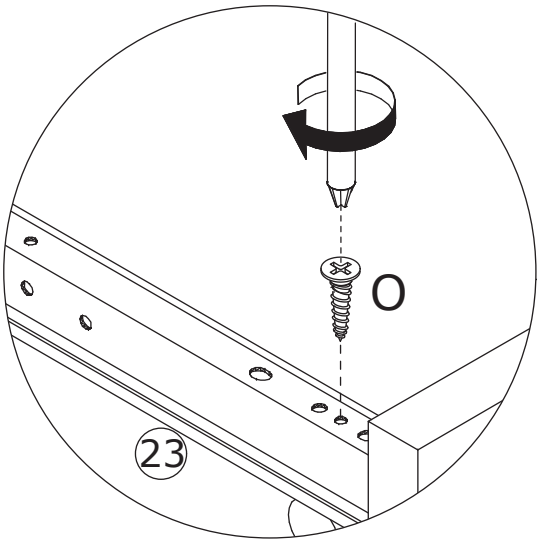
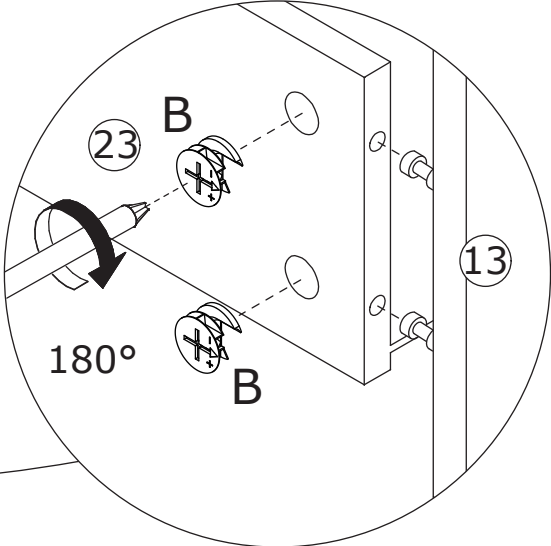
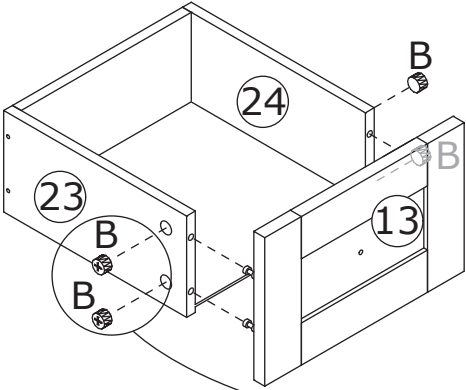
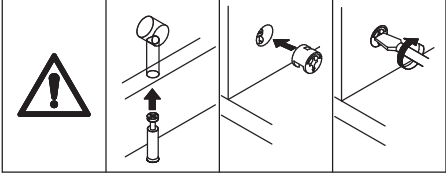


x4

23

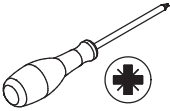
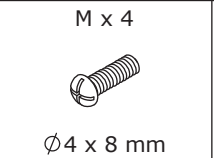
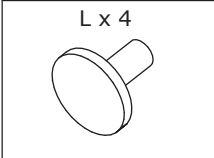


Connect board 13 to boards 23 and 24, insert and tighten cam lock B, then fix rail D (D2 section) to boards 23 and 24 with screw O.

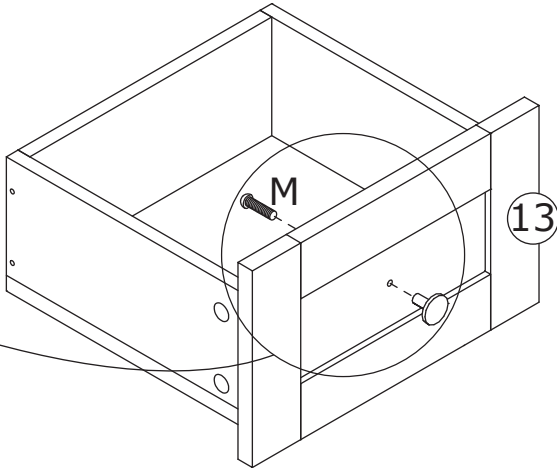
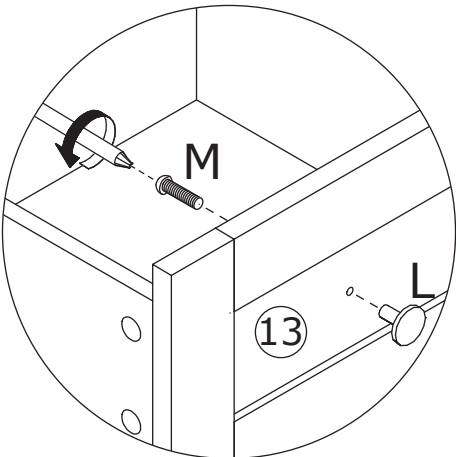


x4

24

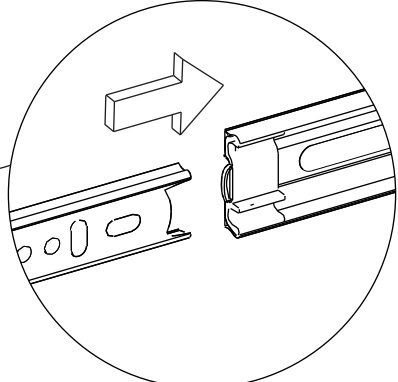
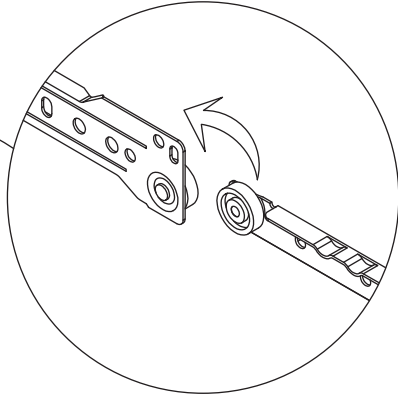
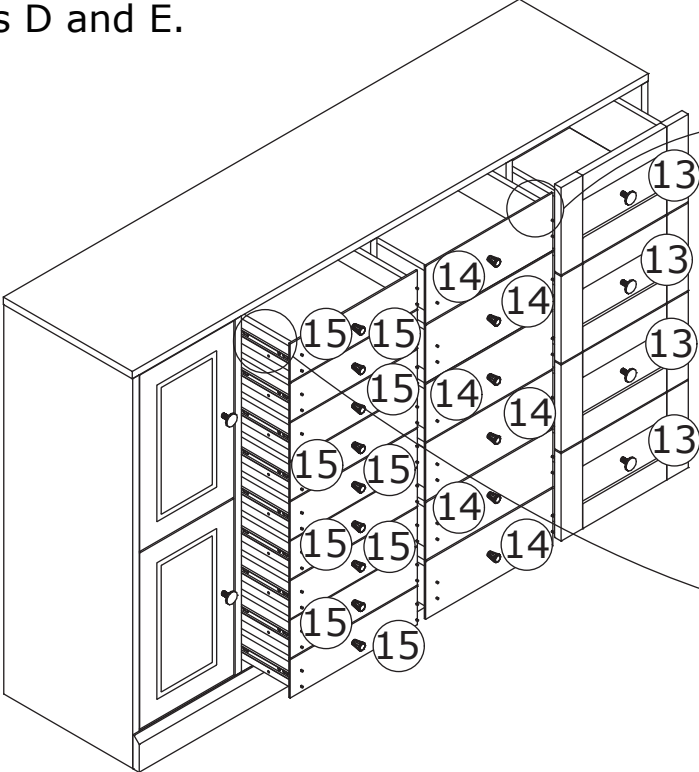


Attach handle L to board 13 using screw M.



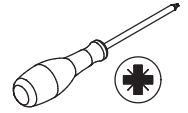
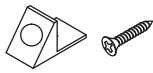
25

Insert the assembled drawers into the pre-installed cabinet using rails D and E.

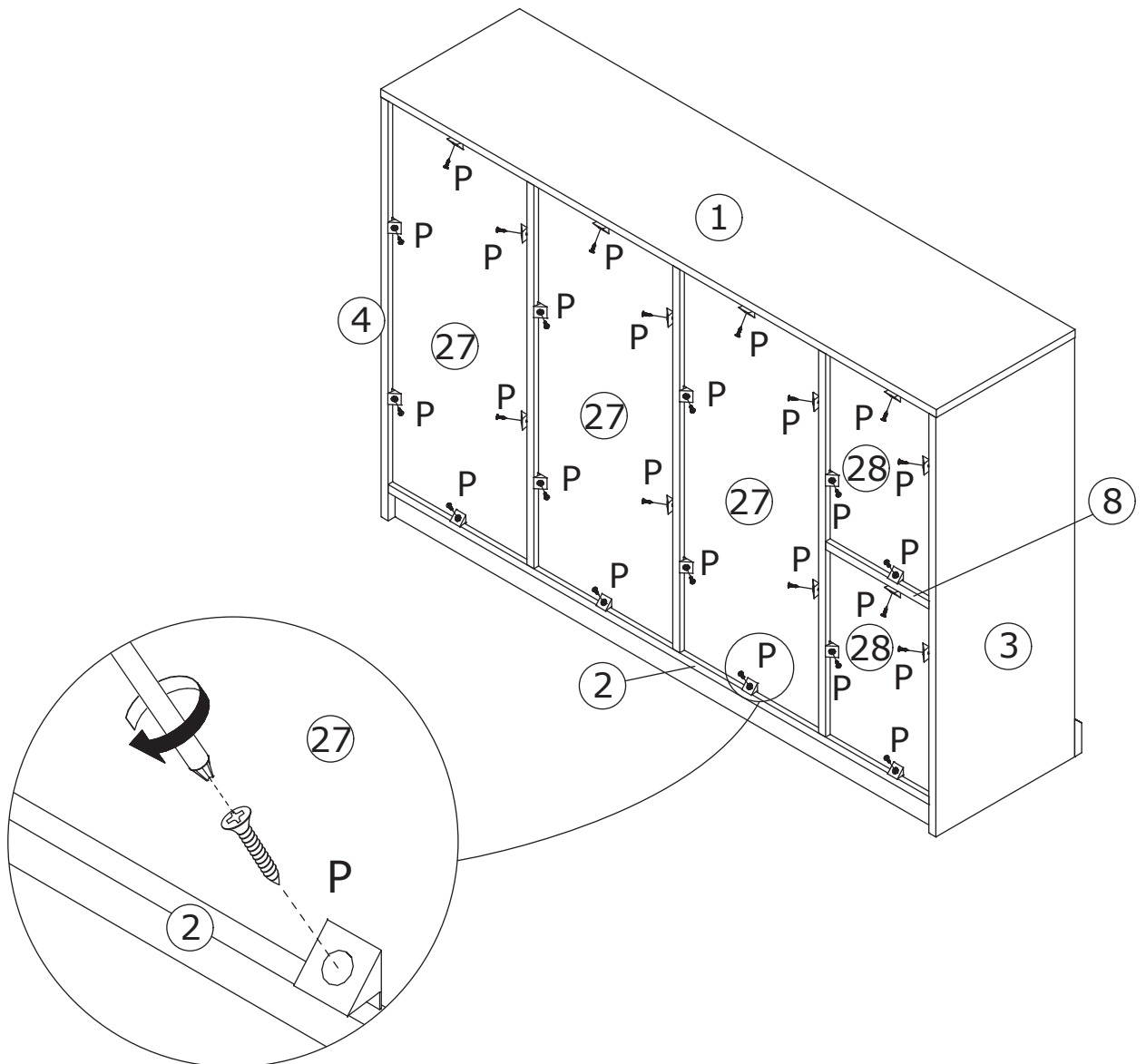


26

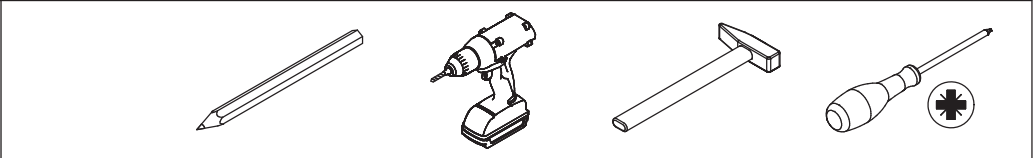
F x 26



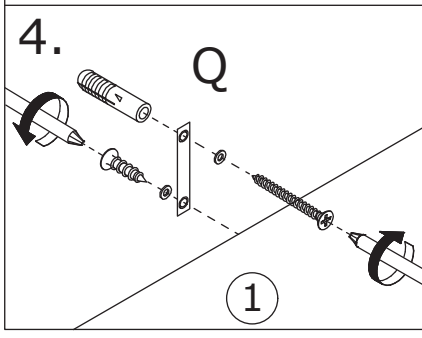
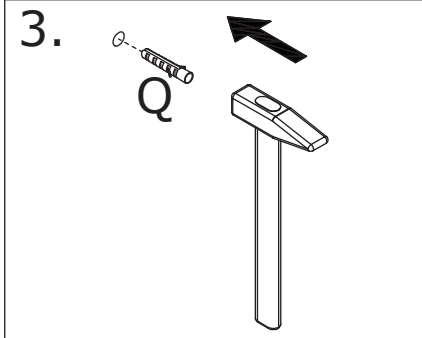
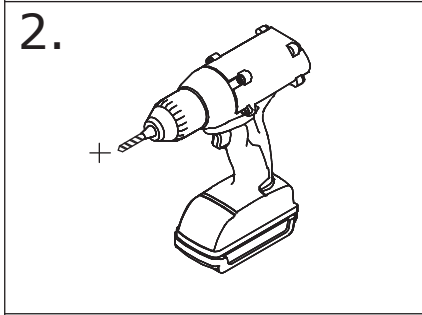
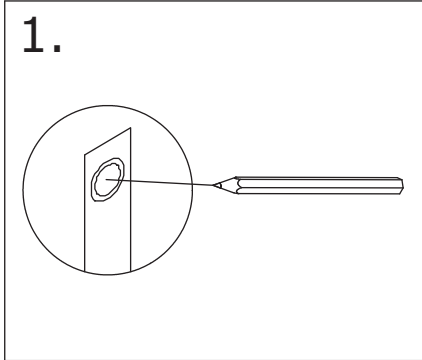
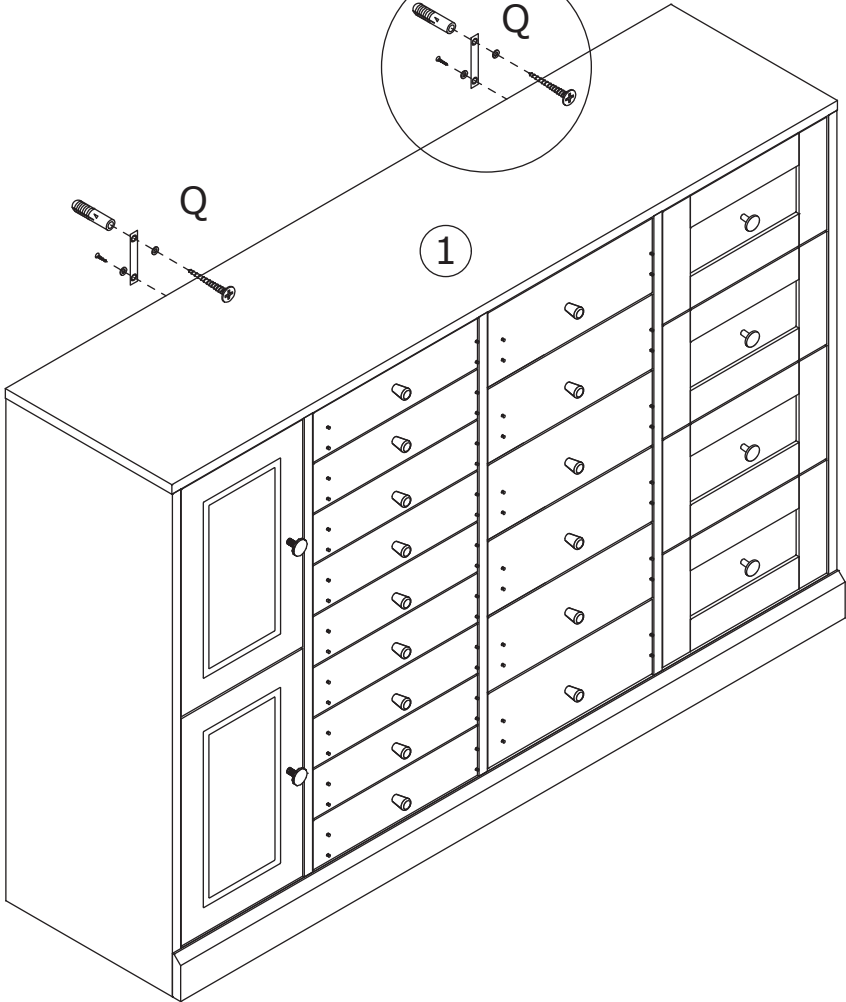
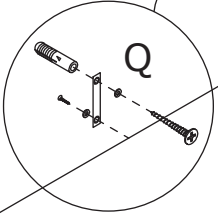
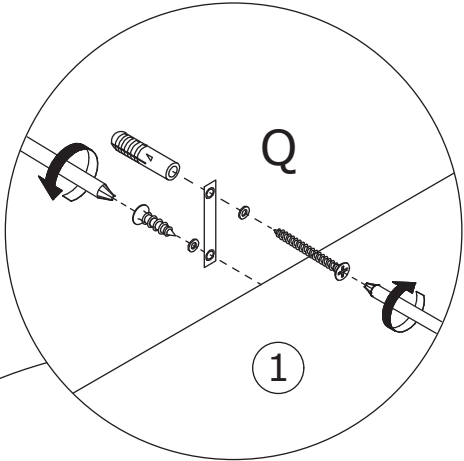
Install back panel clips P on all four edges of boards 27 and 28.



27



If required, secure the cabinet to the wall using mounting component Q as illustrated.



WARRANTY

WARRANTY CLAIMS

- There is a 30-day warranty for broken furniture or any other problems that do not work properly. The warranty will start from the date of purchase which must be verified by proof of purchase.
- Before making a claim, we may be able to answer your query, simply call us. Please leave your purchase order number, along with some details of the problem, if you want a replacement part. We will arrange within 48 hours. If there is out of stock, we will reply with a shipping date.
- The product must be used in accordance with the instructions provided. For health reasons.
- For other reasons, if the furniture needs to be returned, it must be cleaned and dried and operated within 30 days of receipt.

Type of Warranty Claim

- Failure to follow the furniture instructions will invalidate the warranty. Attention please.
- Does not include damage during installation, but includes damage during transportation.

Scope of responsibility

- Shall not bear any responsibility for misuse or user damage and / or loss of parts during the installation of furniture.
- After using, the damage and scratches of the furniture are not covered by the warranty.

The Warranty Relates to All Bought in The Us and Covers The Following Areas

- Sheet parts: 1 month from the date of purchase.
- Electrical parts: 1 month from the date of purchase.

RETURNS

CHANGED YOUR MIND AND NEED TO RETURN YOU ITEM?

PLEASE FOLLOW THE BELOW INSTRUCTIONS:

- If you have purchased and have simply changed your mind, follow the retailer's instructions for returns.

DEFECTIVE ITEMS

- If your item is defective in any way, i.e. it doesn't work but you can't identify why, in the first instance, please call us.

DAMAGED ITEMS

- If you receive an order with obvious shipping damage from the retailer, then we suggest the delivery is refused. If the delivery has been accepted and then shipping damage is found, please follow the specific instructions advised by the retailer.
In all circumstances please save all packaging material and paperwork for the order. Please be aware that if you dispose of packaging material or attempt to return the merchandise without contacting the fulfiller, you jeopardise your chances of making a claim, and you may not receive a credit for the return.

AFTER-SALES CONTACT



adelahu@fufugaga.com



208-820-0068