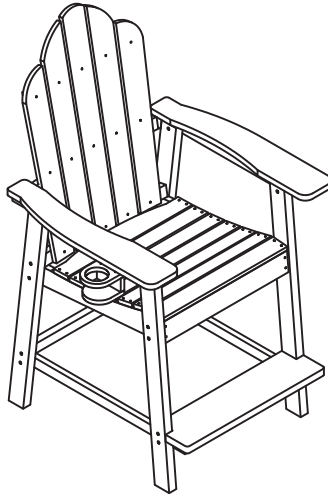


USER'S MANUAL

ADIRONDACK BAR STOOL



Guide of Manual

- ★ Thanks for your choice. **We will do our best to provide customer service for everyone.**
- ★ Please check to make sure all parts are included as stated when you unpack. If there are parts missing or wrong, please contact us, **we will expeditiously provide reissue accessories, compensation or other services.**
- ★ Instruction should be read carefully. But the manual may not cover every detail of all possible situations and steps. **Please contact us if further information and help are needed. We will respond in a timely manner.**
- ★ Please be patient that the other items are on the way if you buy more than one product.

Care and Maintenance

- Use a soft, clean cloth that will not scratch the surface when dusting.
- If you run into scratches problems, we suggest you erase the scratches by knife.
- This item could be cleaned with soap and water. Be sure to avoid harsh solvents and abrasives.
- Periodically (every 90 days) make sure the screws are fully tightened.

Material

- Frame: 100% HDPS
Bolts: 304 Stainless Steel

Warning

- It's kindly advised to assemble this product on a carpeted floor to protect it from being scratched.
- Small parts are included. Please keep the product away from children while assembling. Do not let children play or jump on the product. Do not stand on the item or use as a step ladder.
- Please pay attention to the sharp corners during assembly. We recommend the use of gloves to prevent the undesired injury.
- Prior to use, please check to see if there's any loosening screw or part. Make sure that each screw and part is correctly installed and securely fastened.
- Usually it's unnecessary to use electric drill. Please at a low gear if you need.

Resists Pest & Rough Weather

- These all-weather items can be stored outdoors year-round. Perfect for people who lives in a wet climate or lives on the coast where humidity and moisture will be an issue all year.

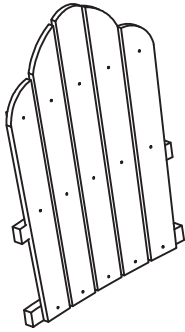
Max weight capacity

- 300lbs [Do not stand on the item]

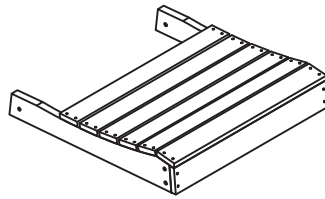
Parts List & Assembly Instruction

1. Make sure all parts are in the package.

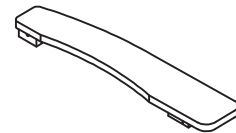
2. Do not fully tighten all bolts until they have been installed in corresponding locations.



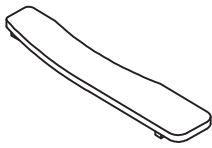
A x 1PC
Back



B x 1PC
Seat



C x 1PC
Left Arm



D x 1PC
Right Arm



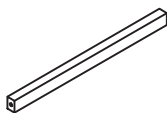
E x 2PCS
Rear Legs



F x 2PCS
Front Legs



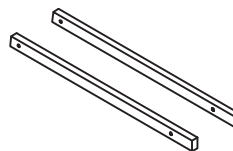
G x 1PC
Seat Brace



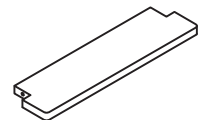
H x 1PC
Leg Support



I x 1PC
Cup Holder



J x 2PCS
Leg Support



K x 1PC
Footrest



AA x 4PCS
Screw (4*35)



BB x 2PCS
Bolt (M6*80)



CC x 6PCS
Bolt (M6*60)



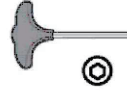
DDx 4PCS
Bolt (M6*60)



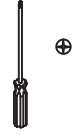
EE x 10PCS
Bolt (M6*70)



FFx 1PC
Bolt (M6*30)

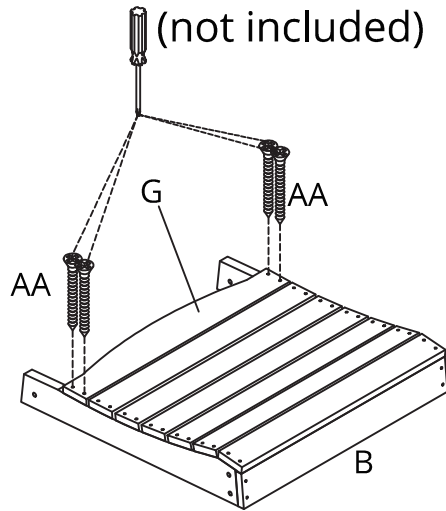


x 1PC
Allen Wrench

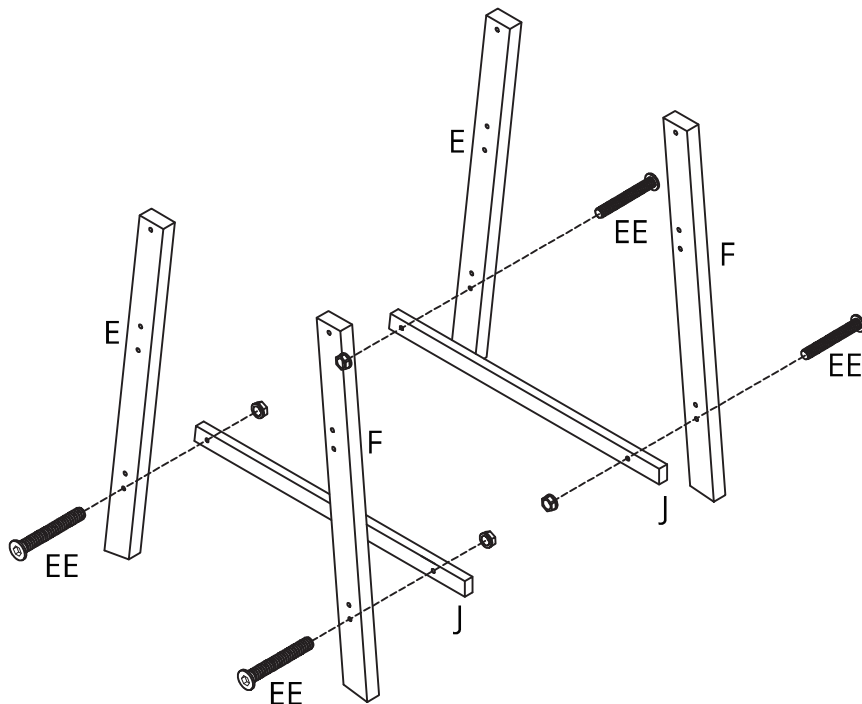


x 1PC
Phillips screwdriver
(not included)

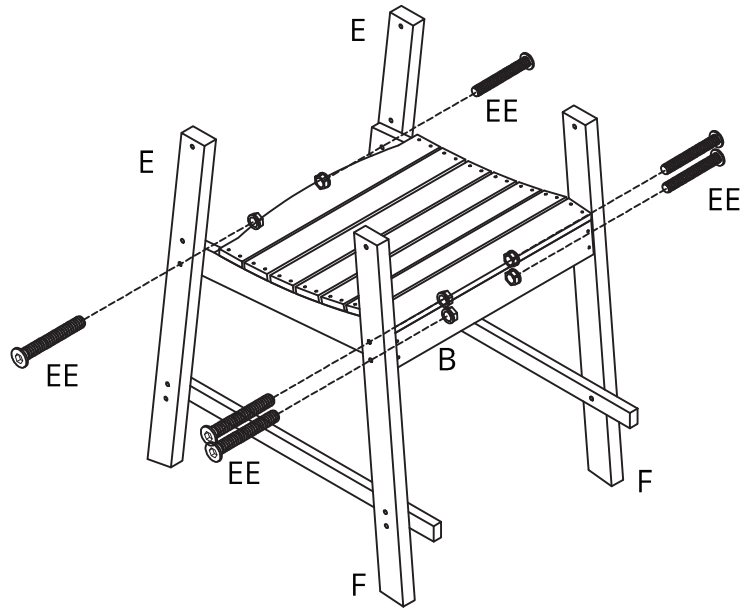
Step 1



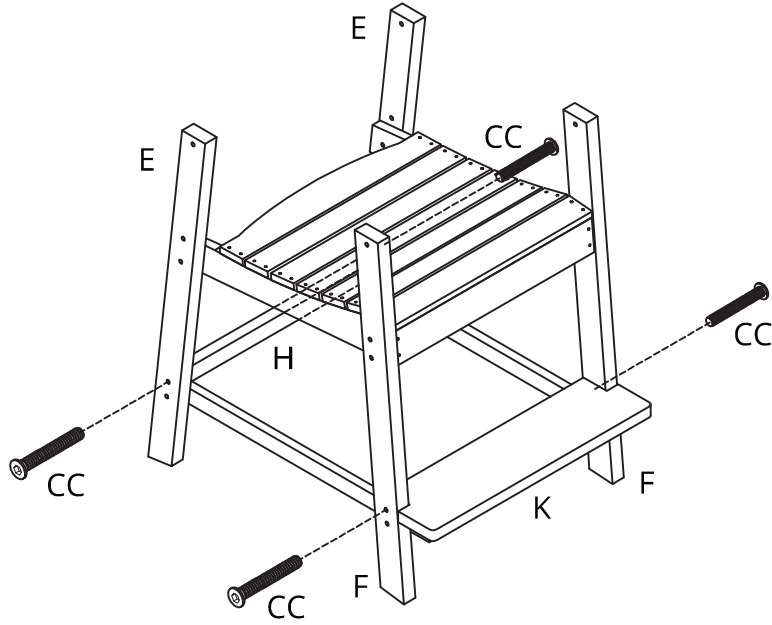
Step 2



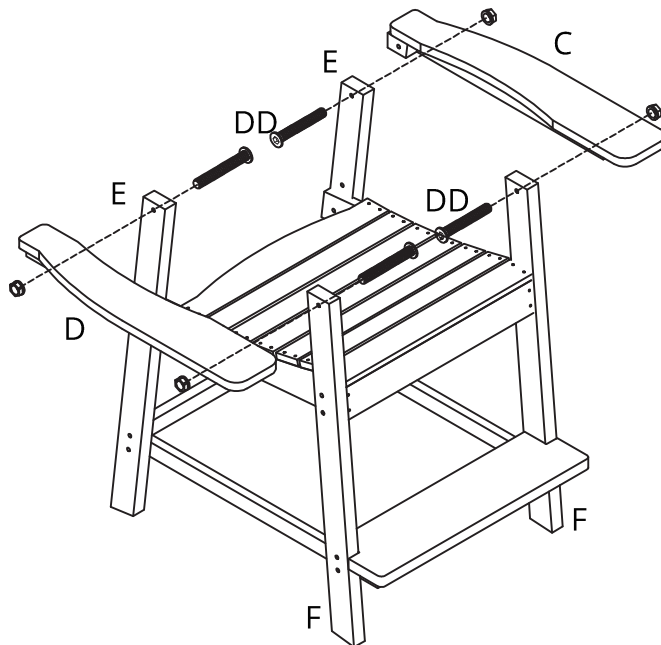
Step 3



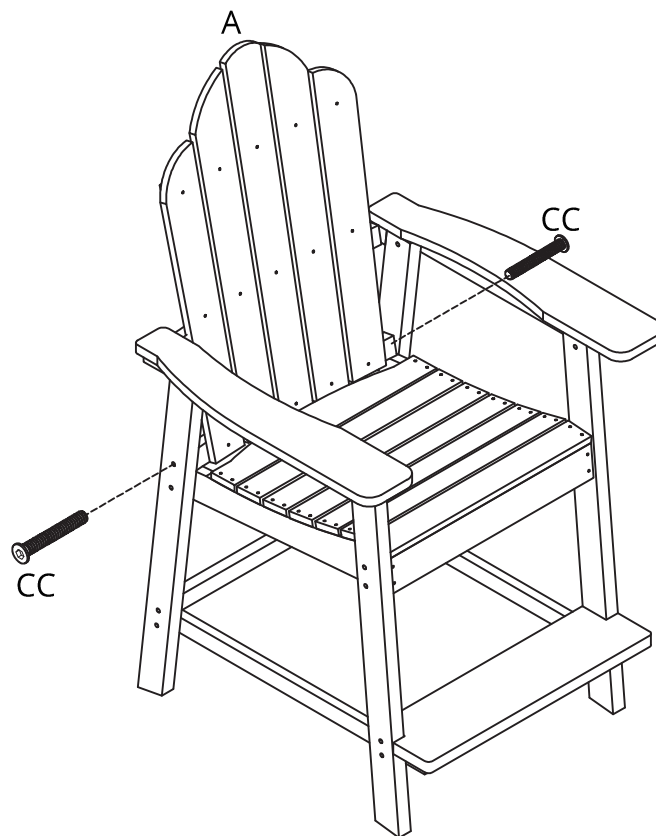
Step 4



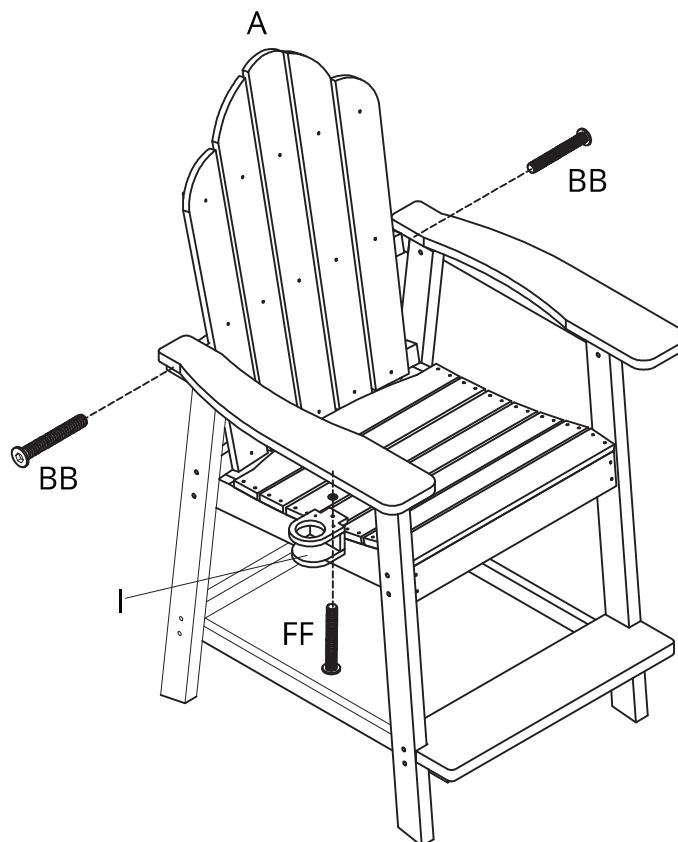
Step 5



Step 6



Step 7



Remark: Cup holder can be assembled on both sides.