

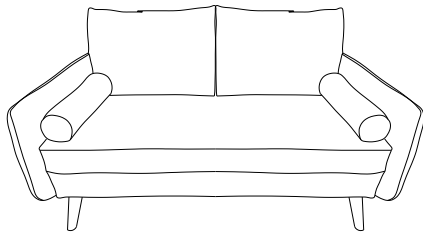
# LOVESEAT /SOFA

Thank you for purchasing the **LOVESEAT/SOFA!**

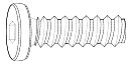
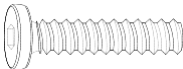


Before you start, here are some helpful advice:

1. We suggest you spend a short time reading through this leaflet and then follow the simple step-by-step instructions.
2. Owing to the size and weight of the sofa, we recommend that it is assembled by two adults, on a carpeted or padded area, in the room that it is intended for. Approximate assembly time: 40 minutes.
3. Please do not use any tools other than those provided or recommended in these instructions.
4. Please do not throw away any of the packaging or the instruction until you have checked all the components and hardware and the furniture is fully assembled. Please ensure that the packaging is disposed of in a safe and environmentally friendly way.
5. Assemble all components loosely until advised to tighten. Depending on use, it may be necessary to tighten the components from time to time, so please save the tools that have been provided.
6. Please keep all fitting out of reach of children.

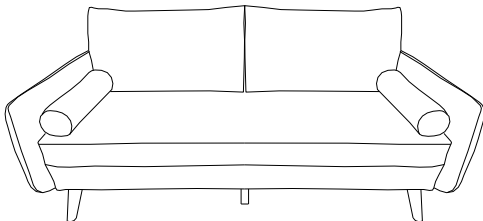
LOVESEAT  
--  
WITHOUT  
SUPPORT  
LEG



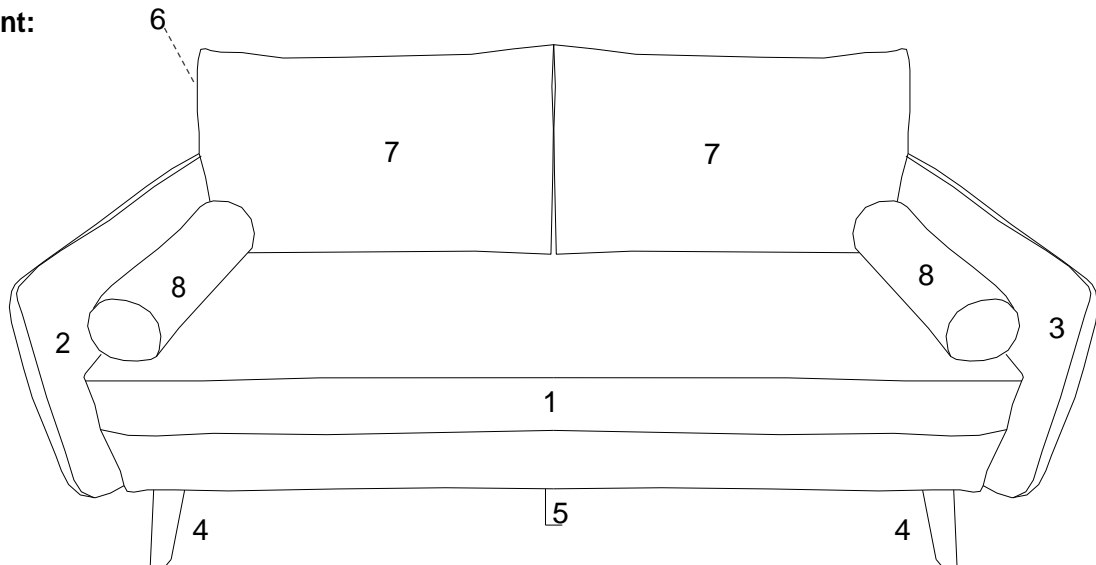
## Hardware:

A		Short Bolt M8x25mm	x12
B		Long Bolt M8x50mm	x2
C		Flat Washer M8	x14
D		Allen Wrench M5	x1

SOFA



## Component:



1	Sofa Seat	x1	2	Left Arm	x1	3	Right Arm	x1	4	Sofa Leg	x4
5	Support Leg	x1	6	Sofa Back	x1	7	Back Cushion	x2	8	Side Cushion	x2

# LOVESEAT /SOFA

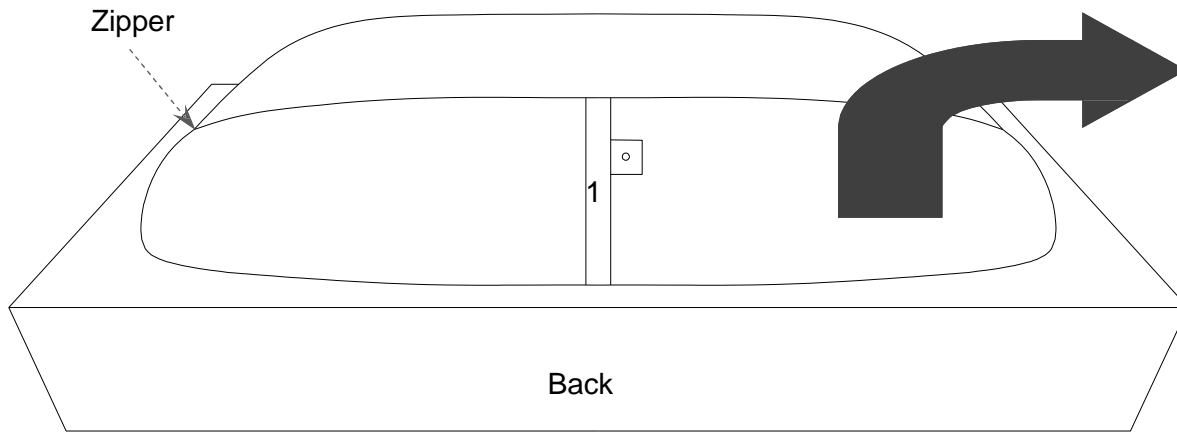
---

## STEP 1:

Put **Sofa Seat (1)** upside down on a carpeted or padded surface.

Open the Zipper on the bottom of **Sofa Seat (1)** as shown.

Please find **Sofa Legs (4)**, **Support Leg (5)**, **Back Cushions (7)**, **Side Cushion (8)**, and Hardware package from inside of **Sofa Seat (1)**.



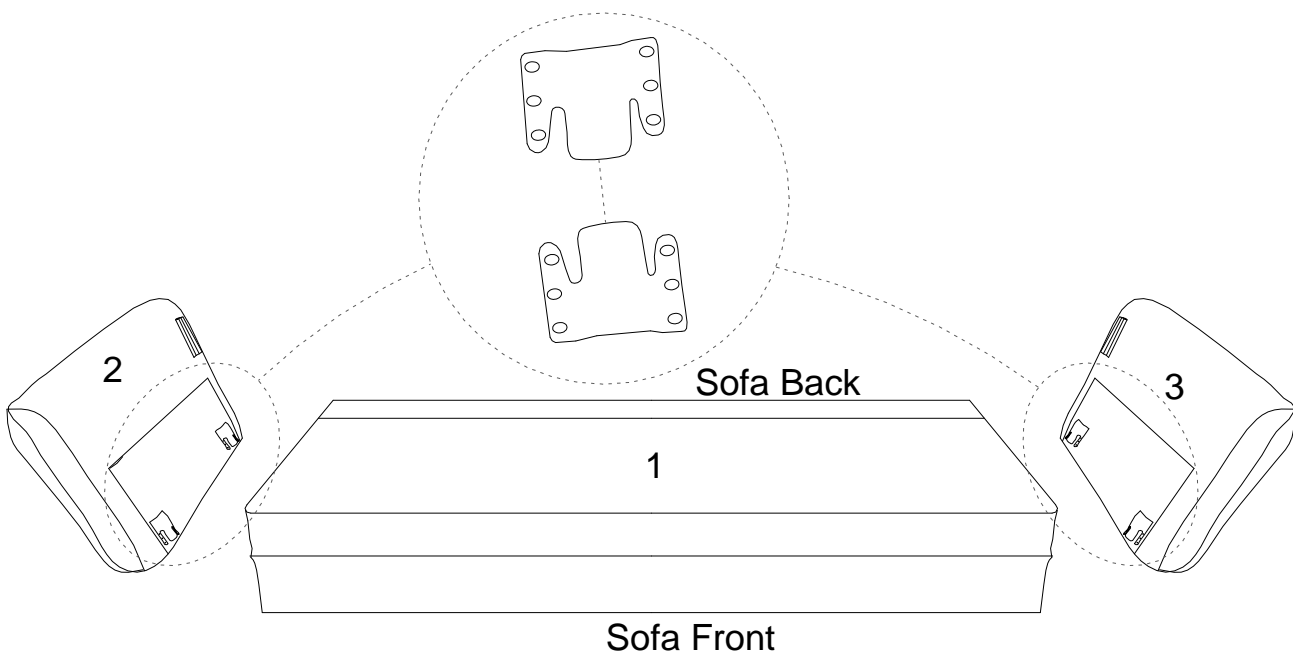
4 x **Sofa Legs (4)** + 1 x **Support Leg (5)** + 2 x **Back Cushion (7)** + 2 x **Side Cushion (8)** + **Hardware Package**

---

## STEP 2:

Please carefully turn over **Sofa Seat (1)**.

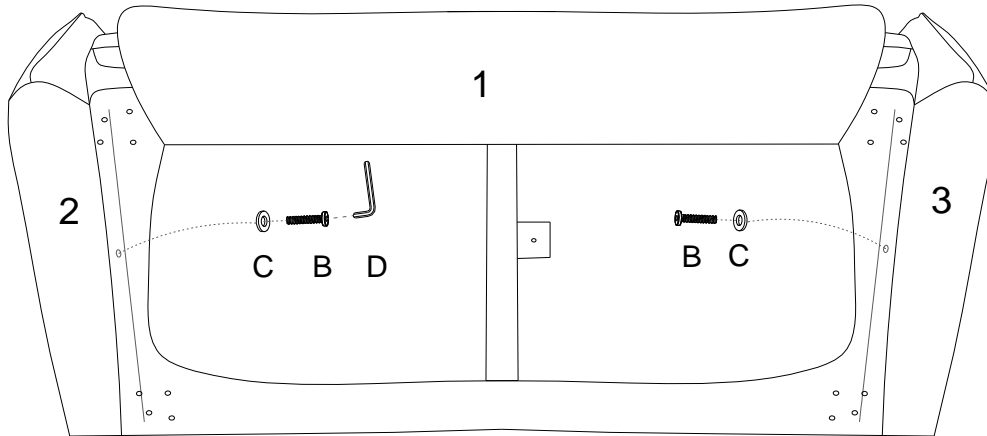
Insert **Left Arm (2)** and **Right Arm (3)** to **Sofa Seat (1)** by using the pre-installed Clips on **Sofa Seat (1)**, **Left Arm (2)**, and **Right Arm (3)** to lock each other as shown.



# LOVESEAT /SOFA

## STEP 3:

Put the assembled **Sofa Seat (1)**, **Left Arm (2)**, and **Right Arm (3)** backside down on a carpeted or padded surface. Insert 2 pieces of **Long Bolt (B)** with 2 pieces of **Flat Washer (C)** into the pre-drilled holes on **Left Arm (2)/Right Arm (3)** through the pre-drilled holes on inner side of the bottom of **Sofa Seat (1)** as shown. Use **Allen Wrench (D)** to tighten **Long Bolts (B)** clockwise until secure.

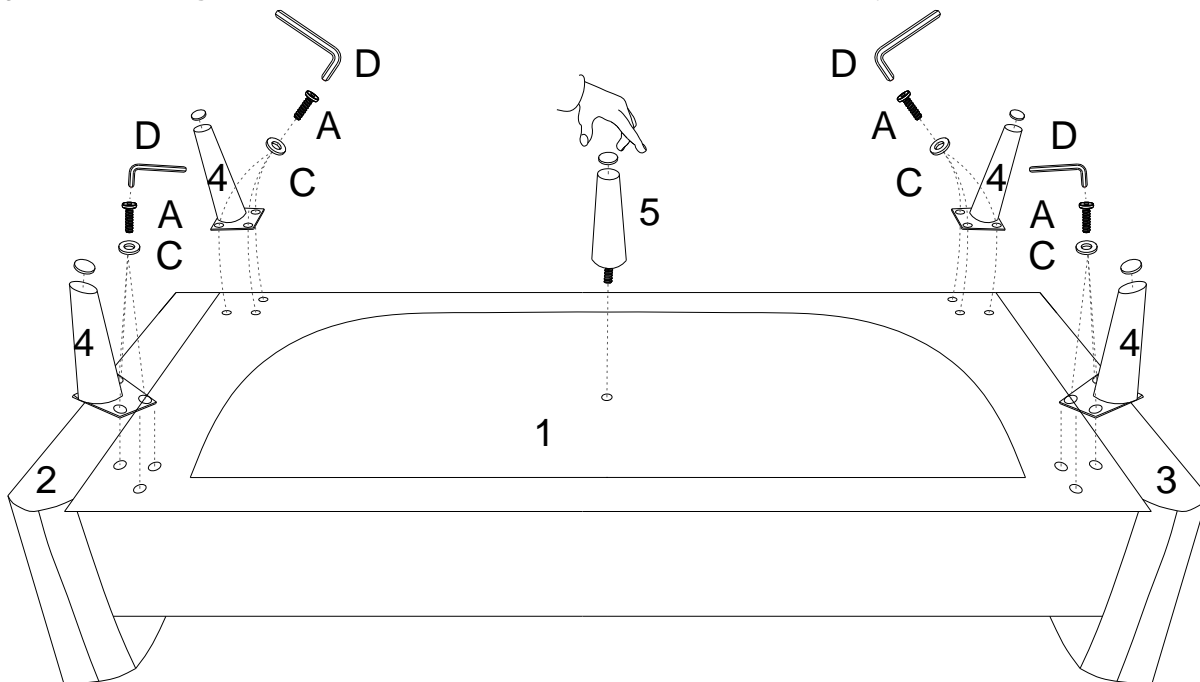


Bx2	Cx2	Dx1

Hardware & Tools required

## STEP 4:

Please carefully close the Zipper on the bottom of **Sofa Seat (1)**. Put the assembled **Sofa Seat (1)**, **Left Arm (2)**, and **Right Arm (3)** upside down on a carpeted or padded surface. Place 1 piece of **Sofa Leg (4)** into the bottom of **Sofa Seat (1)** as shown. Insert 3 pieces of **Short Bolts (A)** with 3 pieces of **Flat Washers (C)** into the pre-drilled holes on the bottom of **Sofa Seat (1)** through the pre-drilled holes on the metal plate of **Sofa Leg (4)** as shown. Use **Allen Wrench (D)** to tighten **Short Bolts (A)** clockwise until secure. Repeat the same steps for the remaining 3 pieces of **Sofa Leg (4)**. Tighten **Support Leg (5)** into the middle of the bottom of **Sofa Seat (1)** until secure by hand.



Ax12	Cx12	Dx1	

Hardware & Tools required

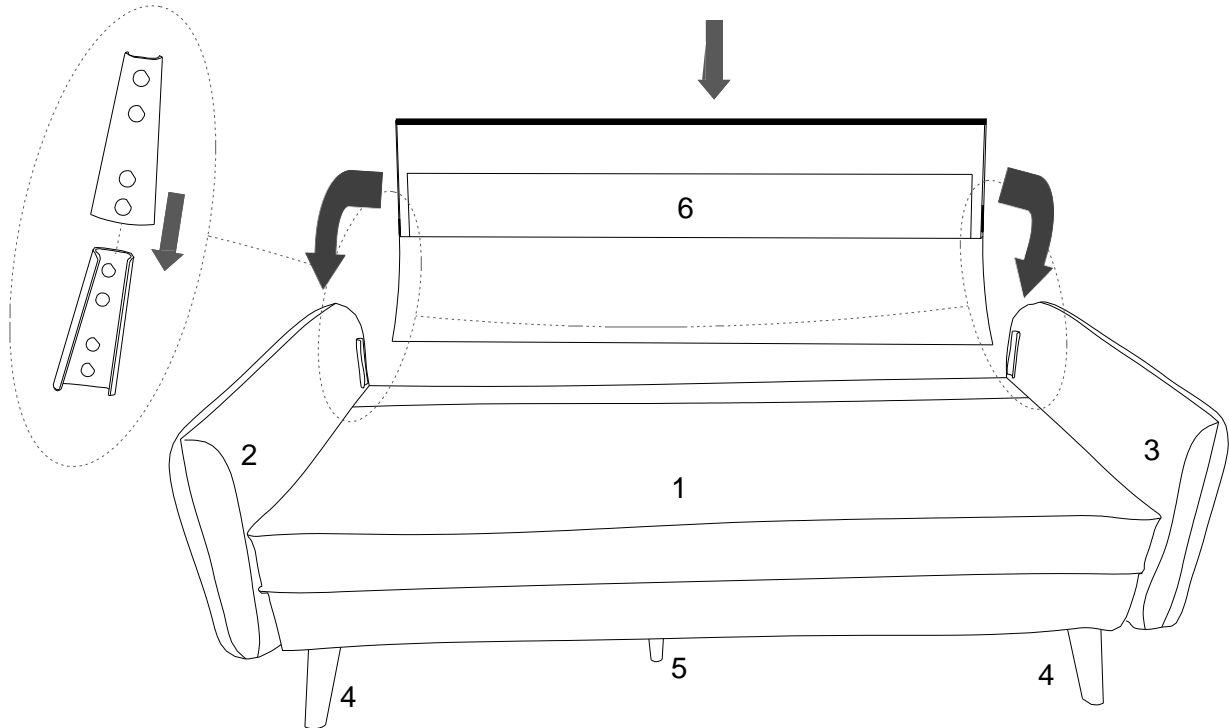
# LOVESEAT /SOFA

## STEP 5:

Place **Sofa Back (6)** to the assembled **Sofa Seat (1)**, **Left Arm (2)**, and **Right Arm (3)** as shown.

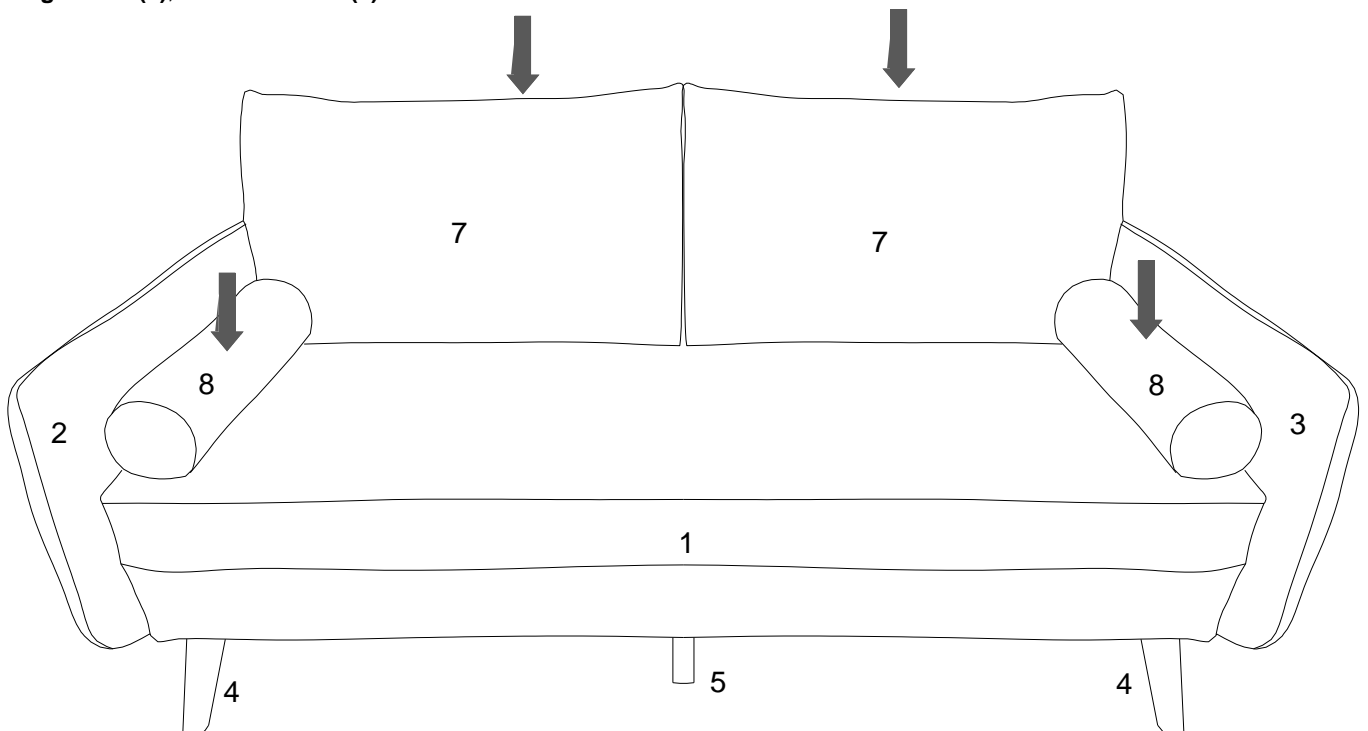
Insert **Sofa Back (6)** to **Left Arm (2)** and **Right Arm (3)** by using the pre-installed Clips on **Left Arm (2)**, **Right Arm (3)**, and **Sofa Back (6)** to lock each other as shown.

Carefully cover the fabric on the back of **Sofa Back (6)** by using pre-installed Velcro



## STEP 6:

Carefully put 2 pieces of **Back Cushion (7)** and 2 pieces of **Side Cushion (8)** to the assembled **Sofa Seat (1)**, **Left Arm (2)**, **Right Arm (3)**, and **Sofa Back (6)** as shown.



Assembly is complete. Your sofa is ready to be used now!